

ZSC2200N/ZSC2201N/ZSC2202N GE Monogram® Built-In Advantium® Oven

Dimensions and Installation Information (in inches)

Electrical Requirements

KW Rating	
208/240V	6.3
Breaker Size	
208/240V	30 Amps

Single Speedcook Installation

Product rating is 120/208 or 120/240 volt, 60 Hz, 30 amps. This product must be connected to a supply circuit of the proper voltage and frequency and protected by a time delay fuse or circuit breaker. The power supply should be brought to a separate 30 ampere branch circuit. Wire size must conform to the requirements of the National Electric Code or the prevailing local code.

Combined Speedcook and Wall Oven Installation:

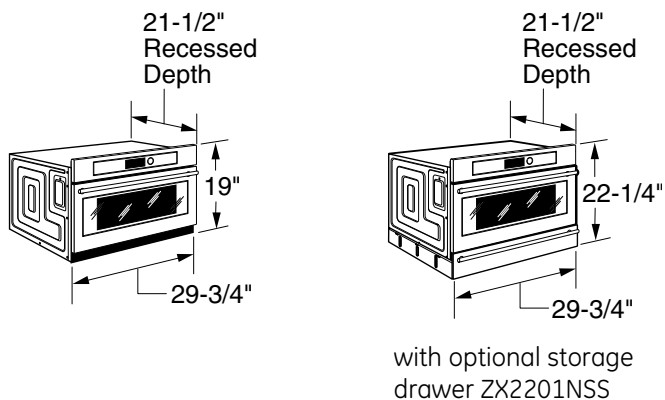
When installed in combination with a Monogram single wall oven, use separate electrical junction boxes,

- Refer to single oven installation instructions for electrical requirements of that product.
- These connections must be made by a qualified electrician. All electrical connections must meet National Electrical code or prevailing local codes.

Installation Requirements

- These ovens must be installed directly into a wall or wall oven cabinetry, 30" minimum width.
- This oven can be installed over any Monogram single electric built-in oven or a single Monogram warming drawer.
- This oven must be installed at least 36-3/4" above the floor.

IMPORTANT: This oven is not approved for use above another built-in Advantium oven, side by side or under the countertop installations.



For answers to your Monogram,® GE Profile™ or GE® appliance questions, visit our website at ge.com or call GE Answer Center® service, 800.626.2000.



imagination at work



Listed by
Underwriters
Laboratories

Specification Created 6/08

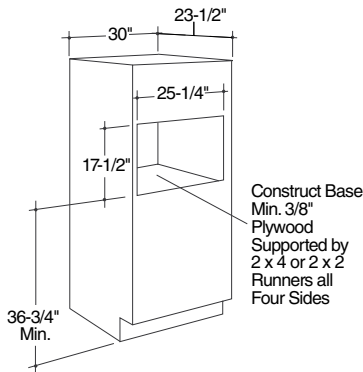
130310

ZSC2200N/ZSC2201N/ZSC2202N GE Monogram® Built-In Advantium® Oven

Dimensions and Installation Information (in inches)

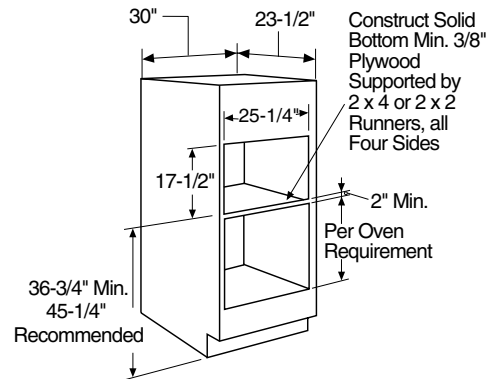
Important: These installation cutouts do not include the accessory drawer.

Single Advantium 240V installation



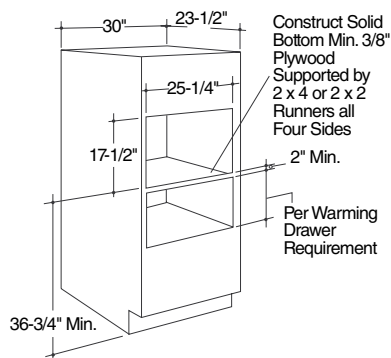
- Maintain 36-3/4" minimum height from the floor to the cutout in any single or combined installation.
- Allow 2-1/8" case trim overlap on the sides and 7/8" overlap on the bottom. Allow 3/4" overlap at the top of the oven.

Installation over a Monogram Oven



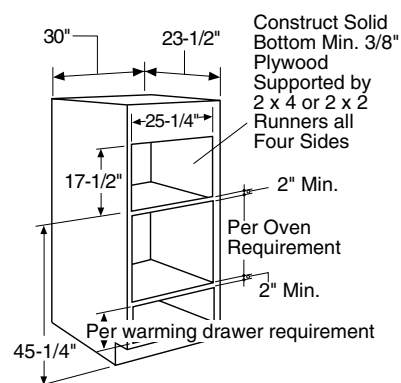
Additional clearances between the cutouts may be required. See oven installation instructions for details.

Installation over a Monogram Warming Drawer



Additional clearances between the cutouts may be required. Check to be sure the oven supports above the warming drawer do not obstruct the required interior depth and height. See warming drawer installation instructions for details.

Installation over a Monogram Oven and Warming Drawer



Additional clearances between the cutouts may be required. See warming drawer and oven installation instructions for details.

For answers to your Monogram,® GE Profile™ or GE® appliance questions, visit our website at ge.com or call GE Answer Center® service, 800.626.2000.



imagination at work



Listed by
Underwriters
Laboratories

Specification Created 6/08

130310

ZSC2201NSS with ZX2201NSS

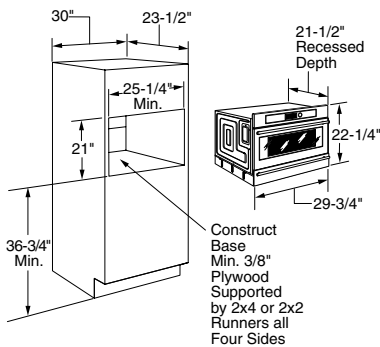
GE Monogram® Built-In Advantium® Oven with Accessory Drawer

Dimensions and Installation Information (in inches)

ZSC2201NSS and ZX2201NSS Accessory - GE Monogram Built-in Advantium Oven and Accessory Drawer

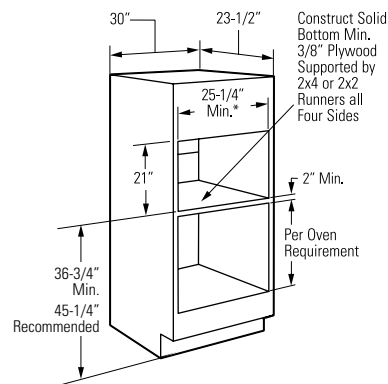
Important: These installation cutouts include the ZX2201NSS accessory drawer.

ZSC2201NSS Advantium Installation with Accessory Drawer



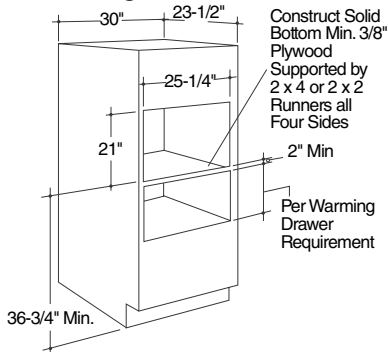
- Maintain 36-3/4" minimum height from the floor to the cutout in any single or combined installation.
- Allow 2-1/8" case trim overlap on the sides and 7/8" overlap on the bottom. Allow 3/4" overlap at the top of the oven.

ZSC2201NSS Advantium and Accessory Drawer Installed over a Monogram Oven



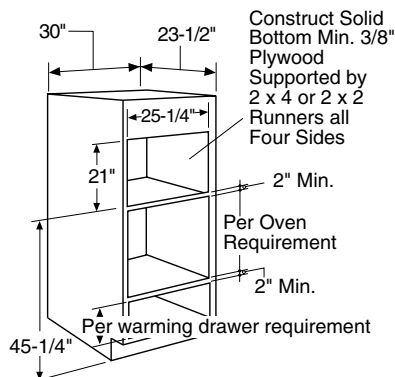
Additional clearances between the cutouts may be required. See oven installation instructions for details.

ZSC2201NSS Advantium and Accessory Drawer Installed over a Monogram Warming Drawer



Additional clearances between the cutouts may be required. Check to be sure the oven supports above the warming drawer do not obstruct the required interior depth and height. See warming drawer installation instructions for details.

ZSC2201NSS Advantium and Accessory Drawer Installed over a Monogram Oven and Warming Drawer



Additional clearances between the cutouts may be required. See warming drawer and oven installation instructions for details.

For answers to your Monogram®, GE Profile™ or GE® appliance questions, visit our website at ge.com or call GE Answer Center® service, 800.626.2000.



imagination at work



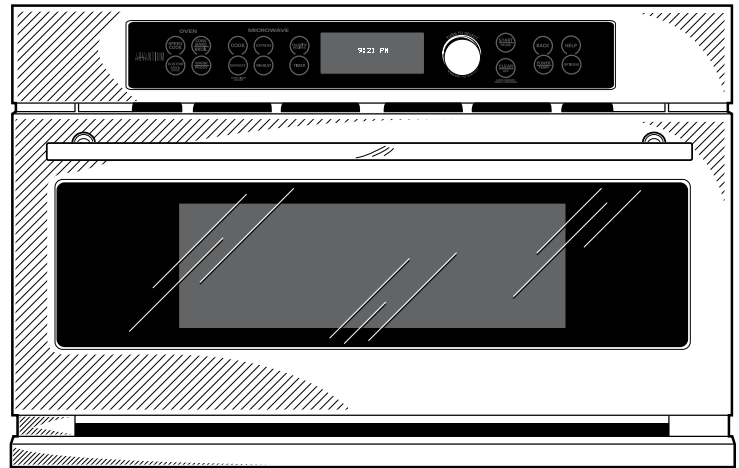
Listed by Underwriters Laboratories

ZSC2200N/ZSC2201N/ZSC2202N GE Monogram® Built-In Advantium® Oven

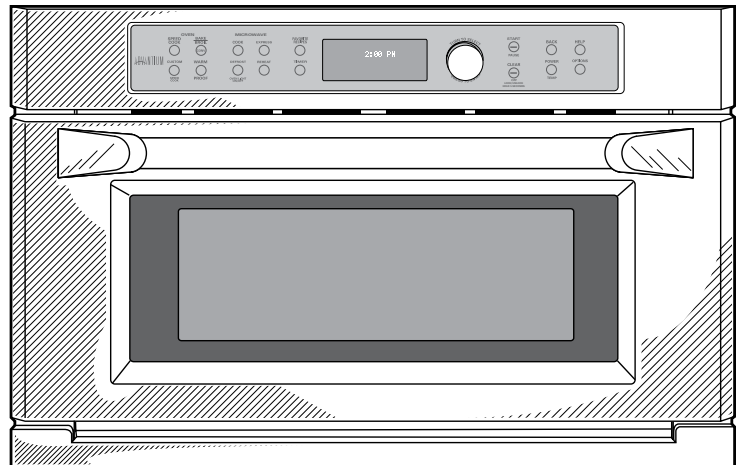
Dimensions and Installation Information (in inches)

Features and Benefits

- Four Ovens in One - Speedcook, convection, microwave and warming capabilities
- Award-Winning Speedcook Technology - Delivers oven-quality results up to eight times faster than conventional cooking methods with no preheating
- Integrated Appearance - Makes a singular architectural impression with signature Monogram tubular handles (models ZSC2200NBB and ZSC2201NSS)
- Professional, Stainless Steel Appearance - Designed with chamfered edges, a robust tubular handle and die-cast control knob (model ZSC2202NSS)
- True European Convection Mode - Bakes, roasts and browns foods to perfection
- Microwave Mode - Provides a fully functioning sensor microwave that allows fast, precise reheating and defrosting
- Warming Mode - Keeps prepared dishes at ready-to-serve temperatures
- Proofing Mode - Allows dough to rise quickly and efficiently
- Model ZSC2000NBB - Black
- Model ZSC2001NSS - Integrated Stainless steel
- Model ZSC2002NSS - Professional Stainless steel
- Optional Accessory Storage Drawer - ZX2201NSS (for use with ZSC2201NSS only)



Integrated



Professional

For answers to your Monogram,® GE Profile™ or GE® appliance questions, visit our website at ge.com or call GE Answer Center® service, 800.626.2000.



imagination at work

Free Manuals Download Website

<http://myh66.com>

<http://usermanuals.us>

<http://www.somanuals.com>

<http://www.4manuals.cc>

<http://www.manual-lib.com>

<http://www.404manual.com>

<http://www.luxmanual.com>

<http://aubethermostatmanual.com>

Golf course search by state

<http://golfingnear.com>

Email search by domain

<http://emailbydomain.com>

Auto manuals search

<http://auto.somanuals.com>

TV manuals search

<http://tv.somanuals.com>