



Monogram®

ZDBR240PBS – GE Monogram Beverage Center with Digital Controls

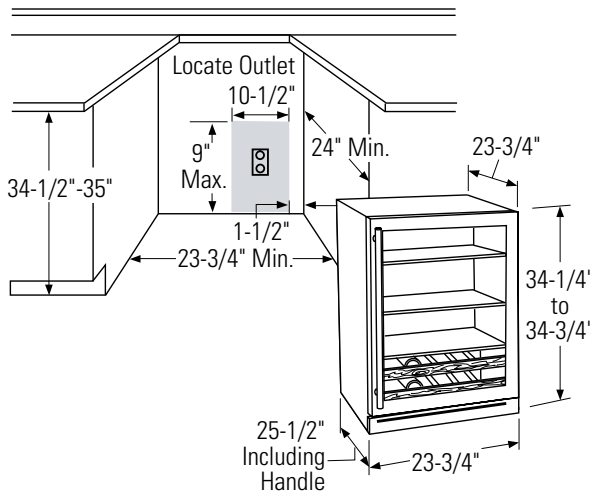
Dimensions and Specifications (in inches)

Installation Space

The Monogram® Beverage Center may be installed beneath a countertop or can be used free-standing.

- If installing between frameless cabinets, a 1/2"-wide filler strip or side panel may be required. The filler strip will act as a spacer between the door case and adjacent cabinet and will prevent interference with cabinet door swing. The width of the opening must include filler panels.

Note: When installed, the door should project forward 1" of adjacent 24"-deep cabinets.



Location Requirements

All Monogram Refrigeration Modules may be closed in on the top and sides as long as the front is unobstructed for air circulation and door swing.

- Do not install these products where the temperatures will go below 55°F (13°C) or above 90°F (32°C).
- Do not install where they will be subject to direct sunlight, heat or moisture.
- These products are not designed to be stacked one over the other.

Specification Revised 12/06

120038

Side-by-Side Installation

For a complete refreshment center, install a Monogram Wine Reserve and Beverage Center together.

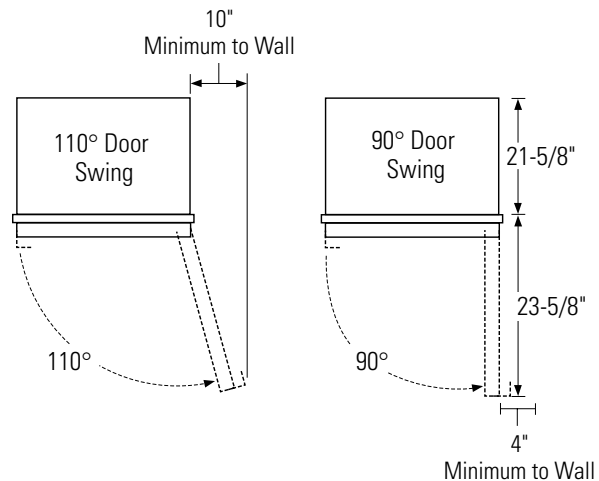
- Products must operate from separate properly grounded receptacles.

Door Swing Clearances

All Monogram Refrigeration Modules are factory set for a 110° door swing.

When installed in a corner:

- Allow the minimum door swing clearances shown.
- The minimum clearance shown at 90° will allow full extension of drawers and shelves.



Electrical

A 120V, 60Hz, 15 or 20 amp power supply is required. An individual properly grounded branch circuit or circuit breaker is recommended. Install a properly grounded 3-prong electrical recessed into the back wall as shown. Electrical must be located on rear wall as shown.

Note: GFCI (ground fault circuit interrupter) is not recommended.



For answers to your Monogram®, GE Profile™ or GE® appliance questions, visit our website at GEAppliances.com or call GE Answer Center® service, 800.626.2000.



Monogram®

ZDBR240PBS – GE Monogram Beverage Center with Digital Controls



Features and Benefits

- Temperature Control – Maintains a consistent temperature
- LED Temperature Display – Allows you to monitor the temperature at a glance
- Beverage Shelf on Full-Extension Slides – Holds up to five wine bottles or ten 12-oz. cans
- Unfinished Heart-Of-Cherry Wood Shelf Fronts – Can be finished to complement surrounding cabinetry
- Removable Spillproof Glass Shelves – Helps contain spills for ease of cleaning
- QuickSpace™ Shelf – Quickly slides out of the way to make room for tall items
- See-Through Glass Door – Affords a full view of contents
- Soft Interior Lighting – Automatically illuminates when the door is open, but can be activated by an internal on/off switch
- Stainless Steel Tubular Handle – Designed to coordinate with other Monogram appliances
- Reversible Door Swing – Easily reversed to left or right door as needed
- Flush Installation – Allows near-seamless integration with surrounding cabinetry
- Model ZDBR240PBS – Stainless steel

Free Manuals Download Website

<http://myh66.com>

<http://usermanuals.us>

<http://www.somanuals.com>

<http://www.4manuals.cc>

<http://www.manual-lib.com>

<http://www.404manual.com>

<http://www.luxmanual.com>

<http://aubethermostatmanual.com>

Golf course search by state

<http://golfingnear.com>

Email search by domain

<http://emailbydomain.com>

Auto manuals search

<http://auto.somanuals.com>

TV manuals search

<http://tv.somanuals.com>