

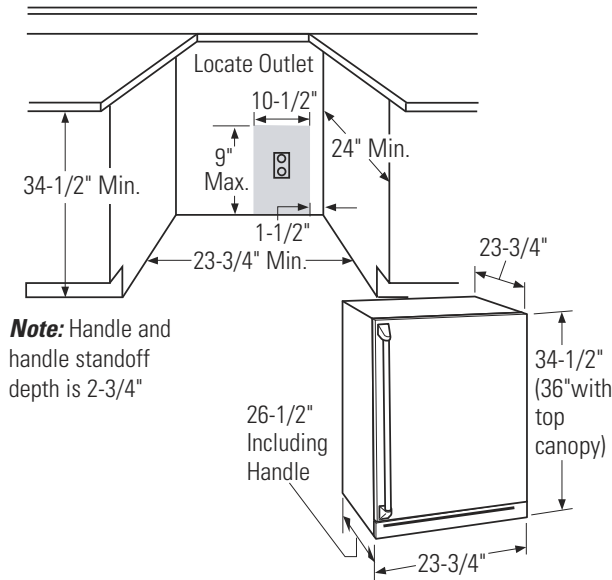


**Monogram®**

# ZDOD240PSS – GE Monogram Stainless Steel Outdoor/Indoor Refrigerator Module

## Dimensions and Specifications (in inches)

### Installation Space



**Note:** If installing between frameless cabinets, a 1/2" wide filler strip or side panel may be required. The filler strip will act as a spacer between the door case and adjacent cabinet and will prevent interference with cabinet door swing. The width of the opening must include filler panels.

**Note:** This product can be installed as a built-in or used free-standing. The top canopy can be removed for installation below a countertop.

### The cutout depth must be 24"

The cutout dimensions shown allows for a full door swing and access to the pull-out racks when installed as a built-in.

- The outdoor/indoor refrigerator can be used freestanding.
- Stainless steel top canopy can be removed for built-in installation.
- Vented stainless steel toekick.

### Additional Specifications:

- A 120 volt 60Hz., 15 or 20 amp power supply is required. An individual property grounded branch circuit or circuit breaker is recommended. Install a properly grounded 3-prong electrical receptacle recessed into the back wall as shown. Electrical must be located on rear wall as shown.

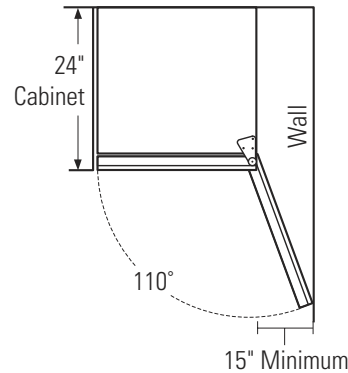
### Warning:

This product must be connected to a power source with Ground Fault Circuit Interrupter (GFCI) protection when installed in an outdoor location.

### Specification Revised 7/05

120028

### Product Clearances



All models are factory set for a 110° door swing.

### For a minimum 90° door swing:

- Allow 5-1/4" min. clearance to wall on the hinge side.

### For a full 110° door swing:

- Allow 15" min. clearance to wall on the hinge side.



For answers to your Monogram®, GE Profile™ or GE® appliance questions, visit our website at [GEAppliances.com](http://GEAppliances.com) or call GE Answer Center® service, 800.626.2000.



**Monogram®**

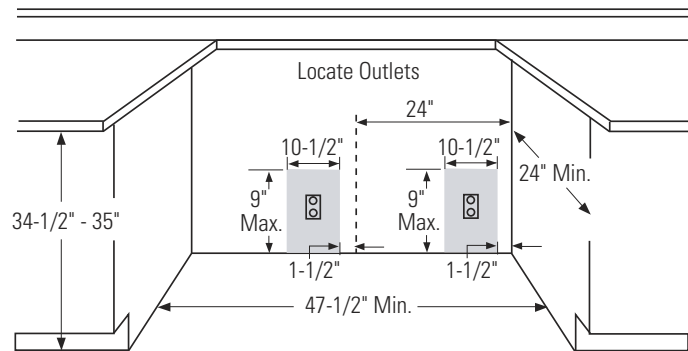
## ZDOD240PSS – GE Monogram Stainless Steel Outdoor/Indoor Refrigerator Module

### Dimensions and Specifications (in inches)

For a complete food storage center, install two Monogram refrigeration modules side-by-side.

**Note:** Reversible door swing on wine chillers/reserves and beverage centers only. See below for combination cutout dimensions.

**Important Note:** Products must operate from separate, properly grounded receptacles.



### Grounding the Outdoor/Indoor Refrigerator

IMPORTANT – (Please read carefully)

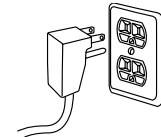
FOR PERSONAL SAFETY, THIS APPLIANCE MUST BE PROPERLY GROUNDED.

The power cord of this appliance is equipped with a 3-prong (grounding) plug which mates with a standard 3-prong (grounding) wall receptacle to minimize the possibility of electric shock hazard from this appliance.

Have the wall outlet and circuit checked by a qualified electrician to make sure the outlet is properly grounded.

When a standard 2-prong wall outlet is encountered, it is your personal responsibility and obligation to have it replaced with a properly grounded 3-prong wall out.

DO NOT, UNDER ANY CIRCUMSTANCES, CUT OR REMOVE THE THIRD (GROUND) PRONG FROM THE POWER CORD.



DO NOT USE AN ADAPTER PLUG TO CONNECT THE REFRIGERATOR TO A 2-PRONG OUTLET.

DO NOT USE AN EXTENSION CORD WITH THIS APPLIANCE.

### Warning:

This product must be connected to a power source with Ground Fault Circuit Interrupter (GFCI) protection when installed in an outdoor location.

Specification Revised 7/05

120028



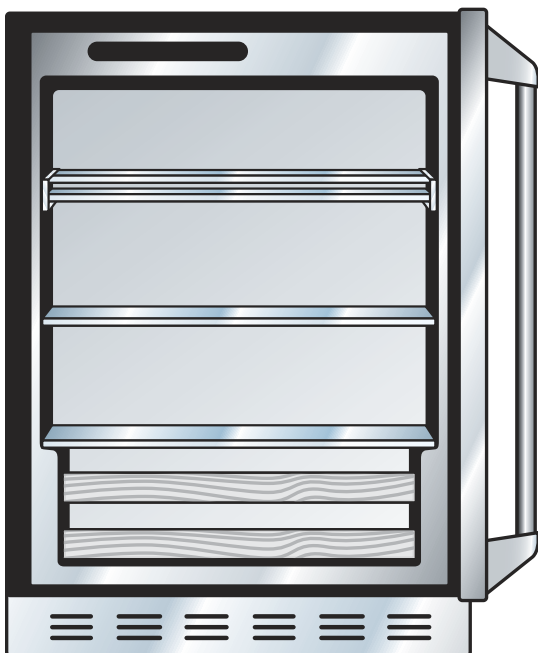
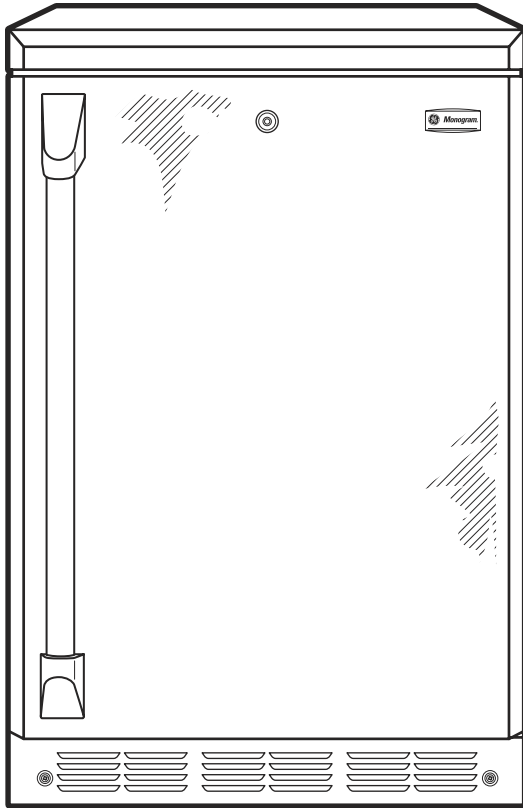
Listed by  
Underwriters  
Laboratories

For answers to your Monogram®, GE Profile™ or GE® appliance questions, visit our website at [GEAppliances.com](http://GEAppliances.com) or call GE Answer Center® service, 800.626.2000.



**Monogram.**

## ZDOD240PSS – GE Monogram Stainless Steel Outdoor/Indoor Refrigerator Module



### Features and Benefits

- Stainless steel outdoor design – Sturdy, professional grade exterior stands up to the most demanding environmental conditions
- Electronic adjustable temperature control – Offers a range of temperatures for precise chilling
- LED temperature display – Allows you to monitor the temperature at a glance
- Removable spillproof glass shelves – Helps contain spills for ease of cleaning
- QuickSpace™ Shelf – Quickly slides out of the way to make room for tall items
- Two beverage shelves on full-extension slides – Each holds up to five wine bottles or ten 12-oz. cans
- Stainless steel removable canopy – Canopy protects the top of the refrigerator in outdoor environments and can be removed to allow built-in installation
- Stainless Steel – Conveys a look of utmost polish and sophistication
- Professional-style handle – Coordinates with other Monogram Professional cooking appliances
- Model ZDOD240PSS – Stainless steel
- Model ZDOD240PLSS – Stainless steel, left hinge

**Specification Revised 7/05**

120028

## Free Manuals Download Website

<http://myh66.com>

<http://usermanuals.us>

<http://www.somanuals.com>

<http://www.4manuals.cc>

<http://www.manual-lib.com>

<http://www.404manual.com>

<http://www.luxmanual.com>

<http://aubethermostatmanual.com>

Golf course search by state

<http://golfingnear.com>

Email search by domain

<http://emailbydomain.com>

Auto manuals search

<http://auto.somanuals.com>

TV manuals search

<http://tv.somanuals.com>