

Owner's Manual

Wine Chiller

ZDWG240



Monogram®

Introduction

Your new Monogram wine chiller makes an eloquent statement of style, convenience and kitchen planning flexibility. Whether you chose it for its purity of design or the assiduous attention to detail, you will find that your Monogram wine chiller's superior blend of form and function will delight you for years to come.

The information on the following pages will help you operate and maintain your wine chiller properly.

Contents

Built-In Dimensions	10	Operating Instructions	7
Care and Cleaning	8, 9	Problem Solver	Back Cover
Consumer Information	2, 3	Reversing the Door Swing	11
Controls and Features	6	Safety Instructions	4, 5
Model and Serial Numbers	2		

Before using your wine chiller

Read this manual carefully. It is intended to help you operate and maintain your new wine chiller properly.

Keep it handy for answers to your questions.

Write down the model & serial numbers

You will find them on a label on the ceiling inside the wine chiller.

Please write these numbers here:

Model Number

Serial Number

Use these numbers in any correspondence or service calls concerning your wine chiller.

ATTENTION CONSUMER!

This unit is designed for storing and cooling beverages. Do not store perishable foods in this unit.

*If you received
a damaged
appliance*

The warranty does not cover damage caused after delivery.

Immediately contact the dealer (or builder) that sold you the wine chiller.

*Remove
packaging*

Before using, be sure all packing materials and tape have been removed.

To assure no damage is done to the finish of the product, the safest way to remove the adhesive left from packaging tape on

new appliances is an application of household liquid detergent. Apply with a soft cloth and allow to soak. Wipe dry and then apply an appliance polish to thoroughly clean and protect the surface.

*After
installation
is completed*

- Promptly inspect your new Monogram Wine Chiller. If it has been damaged, contact the Installer or Dealer immediately.
- This Wine Chiller must be properly leveled to ensure correct door alignment and door closure. Contact the Installer if the unit is not level.
- The unit should be centered in the opening. The front face of the door should be 25 mm forward of adjacent cabinetry. Contact the installer if clearance is not correct.

- Test the door swing. Carefully open and close the door. The door should not rub or catch on adjacent cabinetry. Notify the installer if the door makes contact with cabinetry.

Please Contact the Installer or Dealer if you experience any of these problems.

Your Wine Chiller is shipped with a black toekick on the front of the unit. For shipping purposes, an optional stainless steel toekick is secured to the back of the unit. That toekick should have been removed and installed, or given to you. Keep the unused toekick and other unused or removed parts for possible future use.

IMPORTANT SAFETY INSTRUCTIONS

READ AND SAVE THESE INSTRUCTIONS

▲WARNING: When using electrical appliances, basic safety precautions should be followed, including the following:

- Use this appliance only for its intended purpose as described in this Owner's Manual.
- This refrigerator must be properly installed in accordance with the Installation Instructions before it is used. Also see the How to Connect Electricity section.
- Do not allow children to climb, stand or hang on the shelves in the refrigerator. They could damage the refrigerator and seriously injure themselves.
- Do not store or use gasoline or other flammable vapors and liquids in the vicinity of this or any other appliance.
- Do not attempt to stand on top of the refrigerator. Doing so may result in bodily injury or damage to the refrigerator.
- Do not allow children to play with the refrigerator or tamper with the controls.
- Keep fingers out of the "pinch point" areas: clearances between the doors and between the doors and cabinet are necessarily small. Be careful closing doors when children are in the area.

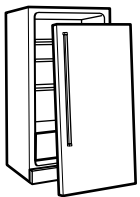
- Unplug your refrigerator before cleaning and making repairs. **NOTE:** We strongly recommend that any servicing be performed by a qualified individual.
- Before replacing a burned-out light bulb, the refrigerator should be unplugged in order to avoid contact with a live wire filament. (A burned-out light bulb may break when being replaced.) **NOTE:** Setting the refrigerator temperature controls to **OFF** does not remove power to the light circuit.

This appliance has a refrigerating system filled with R600a (isobutane) refrigerant, so bear in mind:

- Leave servicing to an authorized expert.
- Be careful not to obstruct any air vents.
- Never use or store electric appliances in the refrigerator compartment.
- Never clean the appliance with sharp objects, as you may damage the refrigerating system.

▲WARNING: Do not use mechanical devices or other artificial means to accelerate the defrosting process, other than those recommended by the manufacturer.

▲ DANGER: RISK OF CHILD ENTRAPMENT



Child entrapment and suffocation are not problems of the past. Junked or abandoned refrigeration products are still dangerous... even if they will sit for "just a few days." If you are getting rid of your old appliance, please follow these instructions to help prevent accidents.

Before You Throw Away Your Old Refrigeration Product:

- Take off the doors and discard separately.
- Leave the shelves in place so that children may not easily climb inside.
- If the refrigerator has a lock, make it unusable.

REFRIGERANTS

All refrigeration products contain refrigerants, which under federal law must be removed prior to product disposal.

If you are getting rid of an old refrigeration product, check with the company handling the disposal about what to do.

IMPORTANT SAFETY INSTRUCTIONS

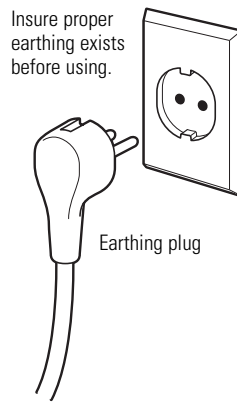
HOW TO CONNECT ELECTRICITY

The power cord of this appliance is equipped with an earthing plug which mates with a standard earthed wall outlet to minimize the possibility of electric shock hazard from this appliance.

Have the wall outlet and circuit checked by a qualified electrician to make sure the outlet is properly earthed.

Where an unearthed wall outlet is encountered, it is your personal responsibility and obligation to have it replaced with a properly earthed wall outlet.

The refrigerator should always be plugged into its own individual electrical outlet. This provides the best performance and also prevents overloading house wiring circuits which could cause a fire hazard from overheated wires. Please refer to the rating plate on the refrigerator for the correct voltage, wattage and frequency. If the product plug does not fit your outlet, the product should be fitted with a new plug.



IMPORTANT: The refitting of electric plugs and cables should be done by a qualified technician or service agent. In some countries the refitting of electric plugs and cables is only permitted when the work is completed by a qualified technician.

If the power supply cord becomes damaged, it must be replaced by a qualified service agent in order to avoid a safety hazard.

Never unplug your refrigerator by pulling on the power cord. Always grip plug firmly and pull straight out from the outlet.

Repair or replace immediately all power cords that have become frayed or otherwise damaged. Do not use a cord that shows cracks or abrasion damage along its length or at either end.

When moving the refrigerator away from the wall, be careful not to roll over or damage the power cord.

Mains lead replacement

If the mains lead on your refrigerator needs replacing at any time, it must be replaced by a special lead which is obtainable from your local dealer. A charge will be made for the replacement of the mains lead if you have damaged the lead.

The refrigerator must be positioned so that the plug is accessible.

SAVE THESE INSTRUCTIONS

Controls and Features

Wine Chiller

Temperature control

Do not install the wine chiller where the ambient temperature will go below 55°F (13°C) or above 90°F (32°C).

The RED WINE setting will provide a storage temperature of approximately 55°F (13°C), which is optimum for the storage for red wine.

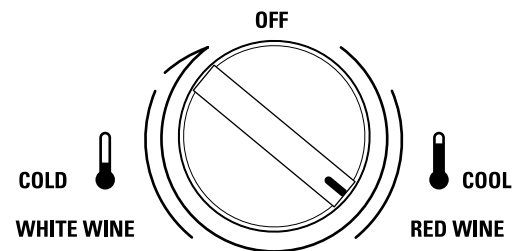
The WHITE WINE setting will provide a storage temperature of approximately 7°C, which is optimum for white wine.

As with any refrigeration product, there is a slight temperature variance at different locations within the cabinet.

Temperatures at the bottom of the cabinet will be cooler than temperatures at the top of the cabinet.

Position your wine inventory accordingly (i.e. white wines in the cooler zones and red in the warmer zones).

To set the control, turn it to the RED WINE setting. Once the bottles are loaded, allow at least 24 hours before making any adjustments to the initial setting.



Interior light and switch

The interior light makes it easy to view your wine labels and enhances the display of your collection.

When the switch is in the OFF position, the light comes on only when the door is opened. When the switch is in the ON

position, the light remains on continuously for your maximum viewing pleasure. For best viewing do not store a bottle on the top shelf directly under the light. Remember to turn off the light when it is no longer needed.

Removing full extension drawers

All of the full extension drawers pull out so bottles can be conveniently added or removed.

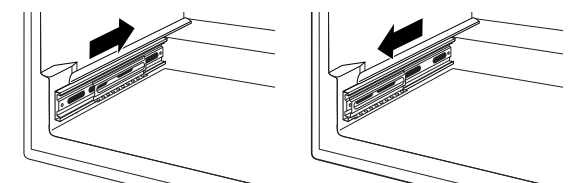
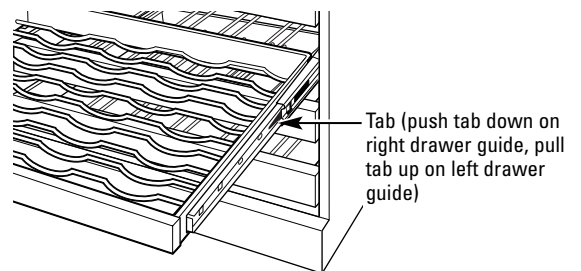
Any of the full extension drawers can be removed to store larger bottles.

To remove:

1. Pull the full extension drawer out to the STOP position.
2. Push the tab on right drawer guide down while pulling the tab on left guide up, and pull the drawer out.

To replace:

1. Push the drawer slide arm back into the unit.
2. Pull the small slide sub assembly completely forward.
3. Insert the sides of the drawer back into the guides.
4. Push until the tabs lock into place.



To replace, push drawer slide arm back into unit

Pull small slide sub assembly completely forward

NOTE: Make sure the tabs on the full extension drawer guides are fully engaged before loading any bottles. Pull the drawers out all the way to the STOP position and push back in several times to make sure locking tabs are properly engaged.

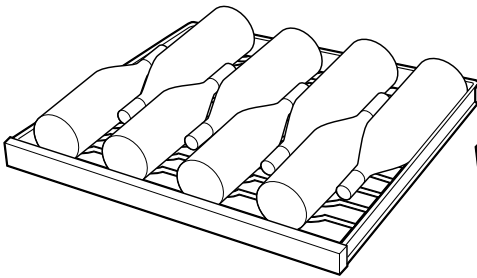
Operating Instructions

Wine Chiller

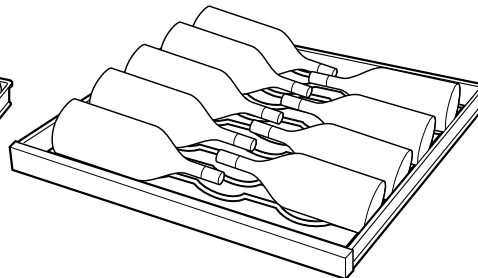
Insert wine bottles

The top five full extension drawers each hold eight bottles, two deep with the necks alternating front to back or nine bottles, alternating with necks pointing inward.

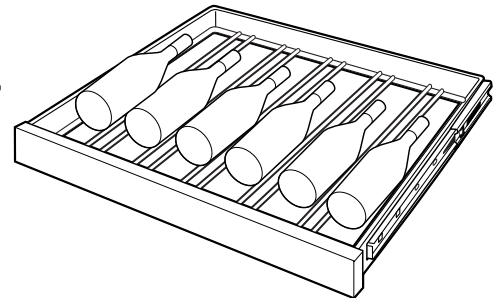
The bottom two full extension drawers hold six bottles each and are loaded with necks facing the rear. Tall bottles should not be loaded on the bottom drawer because they may prevent the door from closing.



8 bottle arrangement



9 bottle arrangement



Bottom drawer

Loading tips and suggestions

- The bottles on the top full extension drawer, directly under the light, will be exposed to a slightly higher temperature when the light is on. Position your wines accordingly and remember to turn off the light when it is no longer needed.
- Keep wines that you plan to use for everyday drinking and entertaining on the front half of the full extension drawers where labels are completely visible. Place wines for aging or longer term storage in the rear.

- Do not allow children to climb, stand or hang on the wine chiller full extension drawers. They could seriously injure themselves and possibly cause damage to the wine chiller.

Wood drawer fronts

The full extension drawer fronts on the wine chiller are unfinished cherry wood. During use, oil from hands may accumulate and stain the wood.

- The drawer fronts may be stained and sealed to match adjacent cabinetry. The tinted glass will make the stained wood appear darker. A true color match can be seen only when the door is opened.

- Apply the stain and sealer according to the manufacturer's instructions. To avoid unpleasant odor, keep the door open to ventilate and allow the stain/sealer to dry completely before using the product.

NOTE: Natural wood may vary slightly in grain and color.

Unplug the wine chiller before cleaning.

Cleaning the inside

Turn the wine chiller unit OFF or unplug the unit before cleaning. Use a slightly damp cloth or sponge when cleaning around switches, lights or controls.

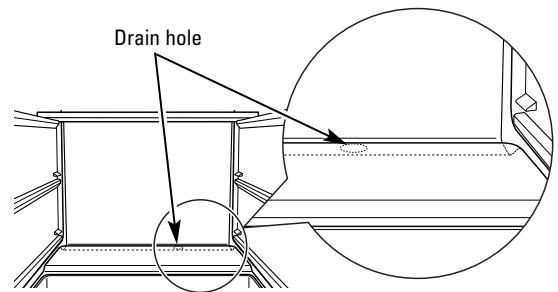
Use warm water and baking soda solution— about a tablespoon (15 ml) of baking soda to a quart (1 liter) of water. This both cleans and neutralizes odors. Thoroughly rinse and wipe dry.

Other parts of the wine chiller center unit—including the door gaskets, and full extension drawers—can be cleaned the same way.

Drain hole

Periodically check the drain hole and channel for any debris. If the drain is blocked, condensation will not drain properly.

To check and clean the drain hole, remove the third and fourth drawers (see instructions on *Removing full extension drawers* on page 6). Sweep a damp cloth along the channel in the back of the wine chiller. Use a finger to sweep away any debris from the drain hole.



Cabinet

The exterior surfaces can be washed with mild soap and water.

Rinse thoroughly with clear water. Never use abrasive scouring powders.

Glass door

Use a glass cleaner or mild soap and water and a soft cloth to clean the glass door. Do not use any abrasive powders.

Avoid cleaning cold glass with hot water because the extreme temperature difference may cause it to break. Rough handling of tempered glass can cause it to shatter.

Door gasket

The vinyl gasket may be cleaned with mild soap and water, a baking soda solution or a mild scouring powder. Rinse well.

After cleaning the door gasket, apply a thin layer of paraffin wax or petroleum jelly to the door gasket at the hinge side. This helps keep the gasket from sticking and bending out of shape.

Unplug the wine chiller before cleaning.

*Light bulb
replacement*

Unplug the wine chiller before replacing the light bulb.

To remove the light shield, push in the tab on the left side of the shield and lower it. Replace with a 15 watt appliance bulb.

*In the event
of a power
failure*

If the power fails, open the door as infrequently as possible to maintain the temperature. A gradual rise in temperature should not have any adverse effect on the wine.

If it is extremely hot, you may want to move the wine to the coolest location you can find until power is restored.

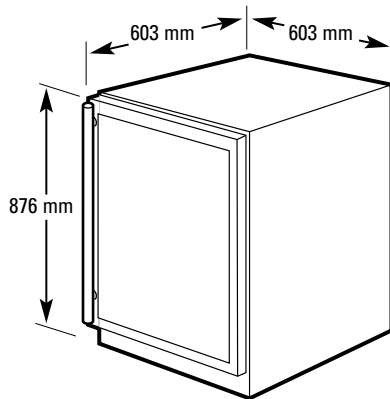
Do not store or use gasoline or other flammable vapors and liquids in the vicinity of this or any other appliance.

Built-In Dimensions

Wine Chiller

Installation dimensions

The wine chiller can be a free-standing model or can be built in using the cut-out dimensions below.



NOTE:

Handle and handle standoff depth is 45 mm

When building in the wine chiller, be sure to allow for a full door swing so you have full access to the pull-out drawers.

See the Installation Instructions for complete directions.



Cut-out dimensions:

Height: 875–890 mm

Width: 603 mm minimum

Depth: 610 mm minimum

Product clearances

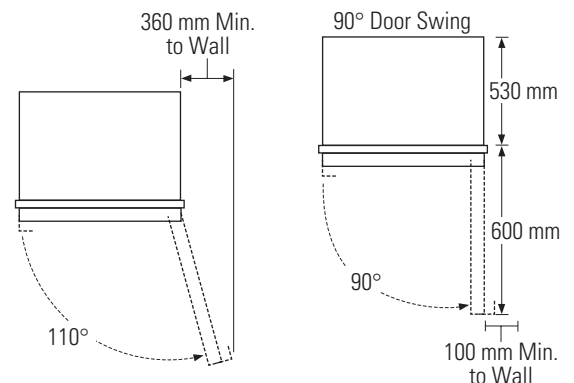
The wine chiller is factory set for a 110° door swing.

When installed in a corner:

- Allow 100 mm minimum clearance on the hinge side for the 90° door swing and to allow racks to slide out.
- Allow 360 mm minimum clearance on the hinge side for a full 110° door swing.
- The door swing is reversible on all models. If desired, change the door swing before installation.

Choose the location:

- These products may be closed in on the top and three sides as long as the front is unobstructed for air circulation and proper access to the door.
- Do not install these products where the temperature will go below 55°F (13°C) or above 90°F (32°C).
- Do not install where it will be subject to direct sunlight, heat or moisture.



Black or Stainless Steel Toekick Options

These products are shipped with a black toekick installed. An optional stainless steel toekick is also supplied with each product. For shipping purposes, the stainless steel toekick is secured to the back of the unit.

Reversing the Door Swing

Wine Chiller

To reverse
the door

Parts included:

1. Top left case hinge
2. Bottom left case hinge
3. Left and right side decorative hinge cover
4. Decorative hinge screw hole cover
5. Torx® driver bit

Tools required:

1. Phillips screwdriver
2. Electric drill

To remove the door:

1. Flatten the shipping carton to use as a pad.
2. Remove the 2 screws and the toekick. Set aside the screws and toekick for final installation.
3. Use the supplied Torx® bit and electric drill to remove the 3 screws holding the top case hinge. Lift off the hinge. (Screws will be used to install the new hinge.)
4. Lift the door off the bottom case hinge.
5. Remove the bottom case hinge pin and bracket.

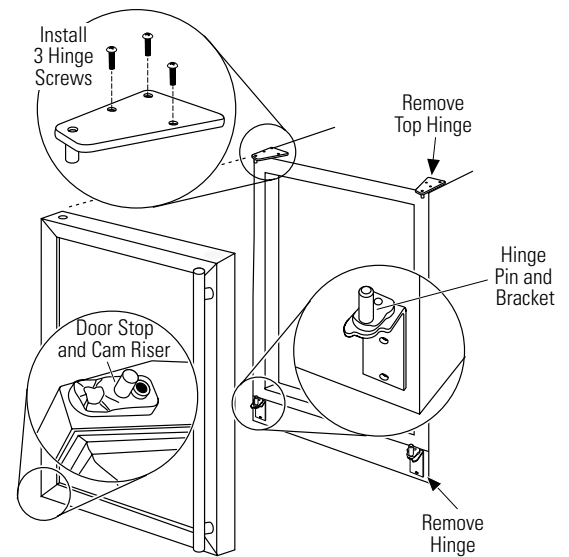
Rotate the door:

The handle will be on the right side of the door; hinges will be installed on the left side of the case.

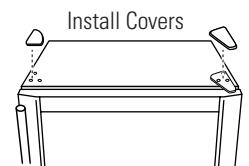
1. Remove the door stop and cam riser on the original bottom right side of the door.
2. Remove the fill plug on the top right side of the door.
3. Turn the door over and reinstall the fill plug on the new left side.

To reinstall the door:

1. Install the original door stop and cam riser onto the bottom left side of the door.
2. Install the new supplied bottom case hinge pin and bracket onto bottom left side.



3. Place the door onto the bottom case hinge.
4. Install the supplied left-hand top case hinge with the 3 original screws.
5. Select the hinge cover marked with an "L".
6. Peel backing off the tape inside the decorative hinge cover.
7. Press and snap the hinge cover into place.
8. Snap the screw hole cover into place on the opposite side.



IMPORTANT: Check to be sure screws are tight and that the door is straight and does not sag. The door should swing freely.

NOTE: See Installation Instructions to apply hinge cover and screw hole cover.

Position nameplate:

Apply the Monogram nameplate on the door using the template included in the installation instructions.

The Problem Solver

Wine Chiller

*Questions?
Use this
problem
solver!*

PROBLEM	POSSIBLE CAUSE
APPLIANCE DOES NOT OPERATE	<ul style="list-style-type: none"> • Appliance may be in defrost cycle when motor does not operate for about 30 minutes. • If interior light is not on, appliance may not be plugged in at wall outlet. Push the plug completely into the wall outlet. • The fuse is blown/circuit breaker is tripped. Replace fuse or reset the breaker.
VIBRATION OR RATTLING (Slight vibration is normal.)	<ul style="list-style-type: none"> • Adjust the leveling legs as shown in the Installation Instructions.
MOTOR OPERATES FOR LONG PERIODS OR CYCLES ON AND OFF FREQUENTLY	<ul style="list-style-type: none"> • Normal when appliance is first plugged in. Wait 24 hours for the appliance to completely cool down. • Often occurs when large amounts of beverages are placed in appliance. This is normal. • Door left open or package holding door open. • Hot weather or frequent door openings. This is normal. • Temperature control set at the coldest setting. See Temperature Control. Allow 24 hours for temperature to change.
COMPARTMENT TOO WARM	<ul style="list-style-type: none"> • Temperature control not set cold enough. See Temperature Control. Allow 24 hours for temperature to change. • Warm weather or frequent door openings. • Door left open for long time. • Package may be holding door open.
APPLIANCE HAS ODOR	<ul style="list-style-type: none"> • Interior needs cleaning. See Care and Cleaning. • Keep open box of baking soda in appliance; replace every 3 months.
DOOR NOT CLOSING PROPERLY	<ul style="list-style-type: none"> • Door gasket is sticking or folding over. Apply petroleum jelly or paraffin wax to the face of the gasket. • The door is hitting an internal component inside the appliance. Adjust interior components to prevent interference.
MOISTURE FORMS ON OUTSIDE OF APPLIANCE	<ul style="list-style-type: none"> • Not unusual during periods of high humidity. If bothersome, wipe surface dry; otherwise, moisture will evaporate in time. • Door left open or package holding door open.
FROST OR MOISTURE COLLECTS INSIDE	<ul style="list-style-type: none"> • Too frequent or too long door openings. • In humid weather, air carries moisture into appliance when door is opened. Unit will dissipate moisture in time. If bothersome, wipe surface dry. • Temperature control set at coldest setting.
INTERIOR LIGHT DOES NOT WORK	<ul style="list-style-type: none"> • No power at outlet. • Light bulb needs replacing. See Care and Cleaning.



Monogram®

GE Consumer & Industrial
Louisville, KY 40225

©2004 GE Company

197D4615P004

49-60324

02-04 JR

Printed in Slovenia

Free Manuals Download Website

<http://myh66.com>

<http://usermanuals.us>

<http://www.somanuals.com>

<http://www.4manuals.cc>

<http://www.manual-lib.com>

<http://www.404manual.com>

<http://www.luxmanual.com>

<http://aubethermostatmanual.com>

Golf course search by state

<http://golfingnear.com>

Email search by domain

<http://emailbydomain.com>

Auto manuals search

<http://auto.somanuals.com>

TV manuals search

<http://tv.somanuals.com>