

# ZDWT240PBS

## GE Monogram Wine Reserve with Liquid Crystal Privacy Glass

### Dimensions and Installation Information

#### Installation Space

The Monogram® Wine Reserve may be installed beneath a countertop or can be used free-standing.

- If installing between frameless cabinets, a 1/2"-wide filler strip or side panel may be required. The filler strip will act as a spacer between the door case and adjacent cabinet and will prevent interference with cabinet door swing. The width of the opening must include filler panels.

**Note:** When installed, the door should project forward 1" of adjacent 24"-deep cabinets.

#### Location Requirements

All Monogram Refrigeration Modules may be closed in on the top and sides as long as the front is unobstructed for air circulation and door swing.

- Do not install these products where the temperatures will go below 55°F (13°C) or above 90°F (32°C).
- Do not install where they will be subject to direct sunlight, heat or moisture.
- These products are not designed to be stacked one over the other.

#### Side-by-Side Installation

For a complete refreshment center, install a Monogram Wine Reserve and Beverage Center together.

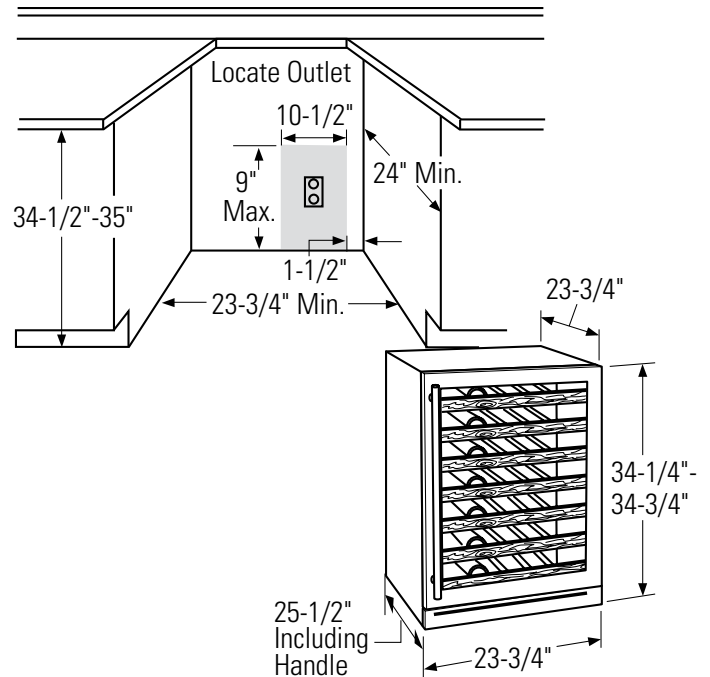
- Products must operate from separate properly grounded receptacles.
- Do not install where they will be subject to direct sunlight, heat or moisture.

#### Door Swing Clearances

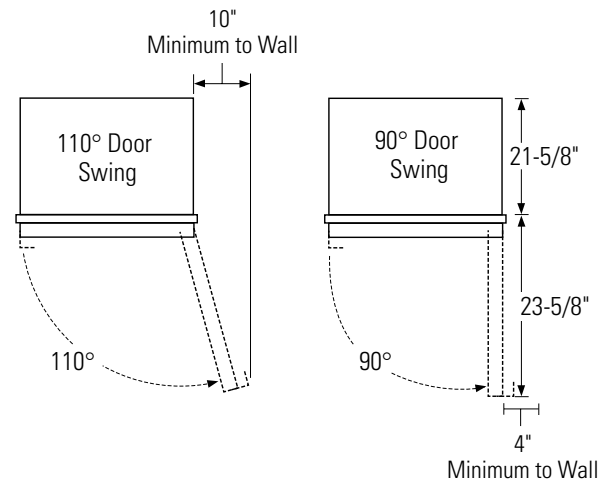
All Monogram Refrigeration Modules are factory set for a 110° door swing. When installed in a corner:

- Allow the minimum door swing clearances shown.
- The minimum clearance shown at 90° will allow full extension of drawers and shelves.

For answers to your Monogram®, GE Profile™ or GE® appliance questions, visit our website at [ge.com](http://ge.com) or call GE Answer Center® service, 800.626.2000.



Dimensions and installation instructions are shown in inches.



#### Electrical

A 120V, 60Hz, 15 or 20 amp power supply is required. An individual properly grounded branch circuit or circuit breaker is recommended. Install a properly grounded 3-prong electrical recessed into the back wall as shown. Electrical must be located on rear wall as shown. **Note:** GFCI (ground fault circuit interrupter) is not recommended.



imagination at work



Specification Revised 12/06

120040

# ZDWT240PBS

## GE Monogram Wine Reserve with Liquid Crystal Privacy Glass

### Grounding the Wine Reserve

IMPORTANT — (Please read carefully)

FOR PERSONAL SAFETY, THIS APPLIANCE MUST BE PROPERLY GROUNDED.

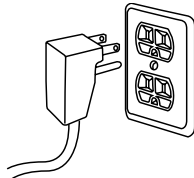
The power cord of this appliance is equipped with a 3-prong (grounding) plug which mates with a standard 3-prong (grounding) wall receptacle to minimize the possibility of electric shock hazard from this appliance.

Have the wall outlet and circuit checked by a qualified electrician to make sure the outlet is properly grounded.

When a standard 2-prong wall outlet is encountered, it is your personal responsibility and obligation to have it replaced with a properly grounded 3-prong wall out.

DO NOT, UNDER ANY CIRCUMSTANCES, CUT OR REMOVE THE THIRD (GROUND) PRONG FROM THE POWER CORD.

DO NOT USE AN ADAPTER PLUG TO CONNECT THE REFRIGERATOR TO A 2-PRONG OUTLET.



DO NOT USE AN EXTENSION CORD WITH THIS APPLIANCE.

For answers to your Monogram,<sup>®</sup> GE Profile<sup>™</sup> or GE<sup>®</sup> appliance questions, visit our website at [ge.com](http://ge.com) or call GE Answer Center<sup>®</sup> service, 800.626.2000.



imagination at work

Specification Revised 12/06

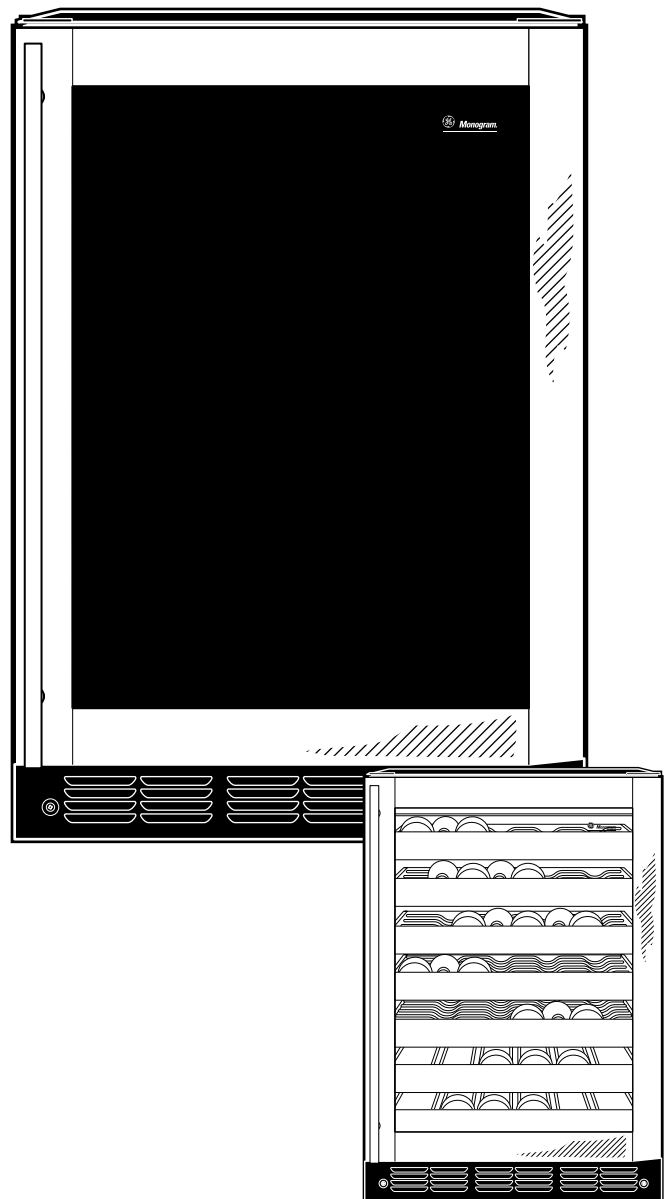
120040

# ZDWT240PBS

## GE Monogram Wine Reserve with Liquid Crystal Privacy Glass

### Features and Benefits

- Privacy Glass – Innovative liquid-crystal technology allows you to turn glass from opaque to clear with a simple press of the button. Opaque setting conceals contents from view
- Temperature Control – Maintains a consistent temperature
- Red or White Wine Temperature Setting – Maintains the ideal temperature for aging or serving wine
- LED Temperature Display – Allows you to monitor the temperature at a glance
- Full-Extension Sliding Wine Racks – Position bottles either horizontally or vertically to maximize space
- Unfinished Heart-Of-Cherry Wood Shelf Fronts – Can be finished to complement surrounding cabinetry
- Soft Interior Lighting – Automatically illuminates when the door is open, but can be activated by an on/off switch on the handle
- Glass becomes clear and light comes on by touching the on/off switch. The light stays illuminated for one hour or until you turn it off
- Stainless Steel Tubular Handle – Designed to coordinate with other Monogram appliances
- Includes stainless steel and black toe-kicks
- Model ZDWT240PBS – Stainless steel



imagination at work

Specification Revised 12/06

120040

## Free Manuals Download Website

<http://myh66.com>

<http://usermanuals.us>

<http://www.somanuals.com>

<http://www.4manuals.cc>

<http://www.manual-lib.com>

<http://www.404manual.com>

<http://www.luxmanual.com>

<http://aubethermostatmanual.com>

Golf course search by state

<http://golfingnear.com>

Email search by domain

<http://emailbydomain.com>

Auto manuals search

<http://auto.somanuals.com>

TV manuals search

<http://tv.somanuals.com>