

# Installation Instructions

## 36" Induction Cooktop

PHP960, ZHU36

? "If you have questions, call 800.GE.CARES or visit our website at: ge.com"

### BEFORE YOU BEGIN

Read these instructions completely and carefully.

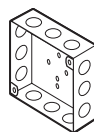
- **IMPORTANT** – Save these instructions for local inspector's use.
- **IMPORTANT** – Observe all governing codes and ordinances.
- **Note to Installer** – Be sure to leave these instructions with the Consumer.
- **Note to Consumer** – Keep these instructions for future reference.
- Product failure due to improper installation is not covered under the Warranty.

**⚠ WARNING** – This appliance must be properly grounded.

• **ATTENTION INSTALLER** – ALL COOKTOPS MUST BE HARD WIRED (DIRECT WIRED) INTO AN APPROVED JUNCTION BOX. A "PLUG AND RECEPTACLE" IS NOT PERMITTED ON THESE PRODUCTS.

- Proper installation is the responsibility of the installer and product failure due to improper installation is NOT covered under warranty.

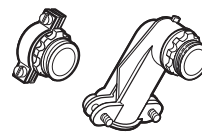
### MATERIALS YOU WILL NEED



Junction Box  
(Sized for conduit per local electrical codes.)



Large Size Wire Nuts



90° or Straight Squeeze Connector for 1" Conduit

### TOOLS YOU WILL NEED



Pencil



Phillips Head Screwdriver



1/4" Nut Driver



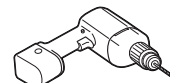
Ruler or Straightedge



Safety Glasses

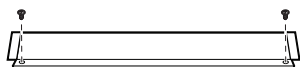


Saber Saw

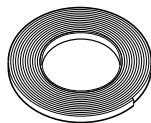


1/8" Drill Bit & Electric or Hand Drill

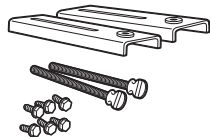
### PARTS INCLUDED



Baffle  
(For all installations except over an oven.)



Foam Tape



2 Hold-Down Brackets  
6 Hex-Head Screws  
2 Thumbscrews

# Installation Instructions

## IMPORTANT SAFETY INSTRUCTIONS

### FOR YOUR SAFETY

- For Personal Safety, remove house fuse or open circuit breaker before beginning installation. Failure to do so could result in serious injury or death.
- Be sure your cooktop is installed properly by a qualified installer or service technician.
- To eliminate the risk of burns or fire due to reaching over heated surface elements, cabinet storage located above the surface units should be avoided. If cabinet storage space is to be provided, the risk can be reduced by installing a range hood that projects horizontally a minimum of 5" beyond the bottom of the cabinets. Cabinet installation above the cooktop may be no deeper than 13".
- Make sure the cabinets and wall coverings around the cooktop can withstand the temperatures (up to 200°F) generated by the cooktop.
- The cooktop should be easy to reach and lighted with natural light during the day.
- Always disconnect the electrical service to the cooktop before repairing or servicing the cooktop. This can be done by disconnecting the fuse or circuit breaker. Failure to do this could result in a dangerous or fatal shock. Know where your main disconnect switch is located. If you do not know, have your electrician show you.

### ELECTRICAL REQUIREMENTS

This appliance must be supplied with the proper voltage and frequency, and connected to an individual, properly grounded branch circuit, protected by a circuit breaker or a time delay fuse as noted on name plate.

We recommend you have the electrical wiring and hookup of your cooktop connected by a qualified electrician. After installation, have the electrician show you where your main cooktop disconnect is located.

Wiring must conform to National Electrical Code and all local electrical codes. You can get a copy of the National Electrical Code, ANSI/NFPA No. 70-Latest Edition, by writing:

National Fire Protection Association  
Batterymarch Park  
Quincy, MA 02269

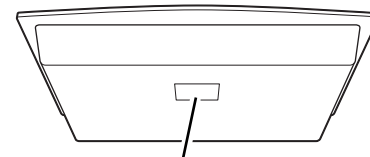
In Canada, wiring must conform to Canadian Electrical Code (CEC).

The cooktop conduit wiring is approved for copper wire connection only, and if you have aluminum house wiring, you must use special UL approved connectors for joining copper to aluminum. In Canada, you must use special CSA approved connectors for joining copper to aluminum.

You must use a two-wire, three conductor 208/240 VAC, 60 Hertz electrical system. A white (neutral) wire is not needed for this unit.

Refer to the name plate on your cooktop for the KW rating for your cooktop.

These cooktops require 50 amp service.



Name plate location

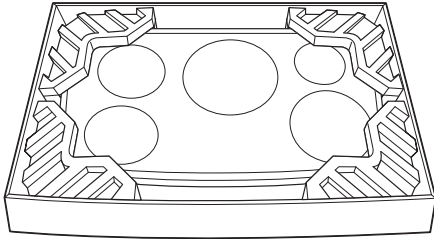
# Installation Instructions

## PRE-INSTALLATION CHECKLIST

### BEFORE YOU BEGIN

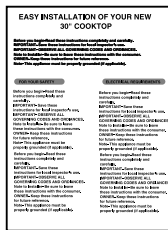
**⚠ WARNING** – The electrical power to the cooktop supply line must be shut off while connections are being made. Failure to do so could result in serious injury or death.

- A** When preparing cooktop opening, make sure the inside of the cabinet and the cooktop do not interfere with each other. (See section on preparing the opening.)
- B** Remove packaging materials and literature package from the cooktop before beginning installation.



- C** Remove Installation Instructions from the literature pack and read them carefully before you begin.

Be sure to place all literature, Owner's Manual, Installations, etc. in a safe place for future reference.



- D** Make sure you have all the tools and materials you need before starting the installation of the cooktop.
- E** Your home must provide the adequate electrical service needed to safely and properly use your cooktop. (Refer to section on electrical requirements.)
- F** When installing your cooktop in your home, make sure all local codes and ordinances are followed exactly as stated.
- G** Make sure the wall coverings, countertop and cabinets around the cooktop can withstand heat (up to 200°F) generated by the cooktop.

### ADVANCE PLANNING

#### Combination Installations

These cooktops may be installed in combination with an approved downdraft vent or a single oven.

#### Cooktop and a Downdraft Vent

- The countertop must have a deep flat surface to accommodate the combined installation of the cooktop and vent.
- Consideration must be given to the separate electrical supply locations.
- Allow 12" clearance between the inlet air ports on the cooktop bottom toward the rear to any obstruction.
- Both the cooktop and the vent must be installed according to each specific product installation instruction.

#### Cooktop with a Single Oven

- Consideration must be given to the separate electrical requirements and locations.
- Both the cooktop and the oven must be installed according to each specific product installation instruction.

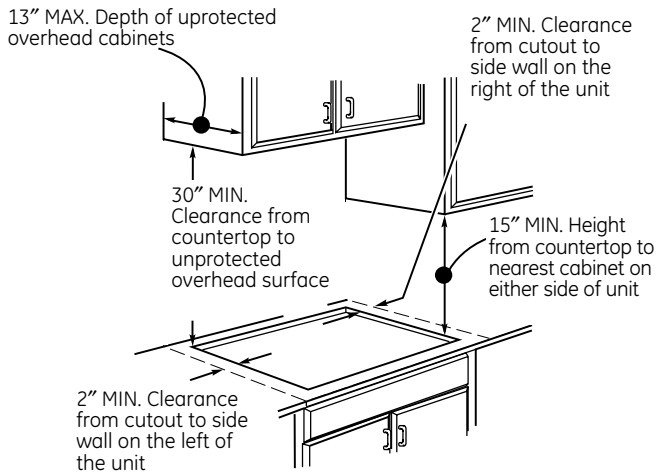
#### Installation Above Cabinet Drawers

Allow 12" clearance to combustibles below the cooktop. A drawer directly below the cooktop cannot be used to store items such as towels or paper products. Use a false drawer front to obtain clearance if necessary.

# Installation Instructions

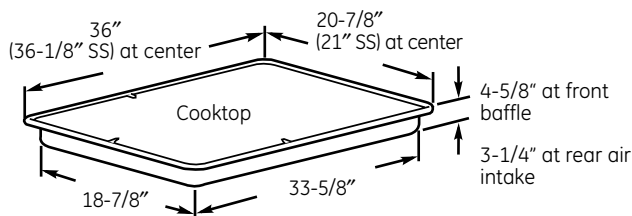
## PREPARING THE OPENING

- 1** The following MINIMUM clearance dimensions must be maintained.



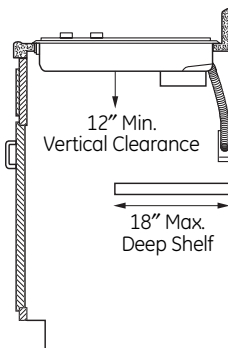
If a 30" clearance between the cooking surface and overhead combustible materials or metal cabinets cannot be maintained, a minimum clearance of 24" is required and the underside of the cabinets above the cooktop must be protected with not less than 1/4" insulating millboard covered with sheet metal not less than 0.0122" thick.

### 2 OVERALL COOKTOP DIMENSIONS



### 3 VERTICAL CLEARANCES

Allow 12" minimum vertical clearance between the cooktop bottom and any combustible surfaces.

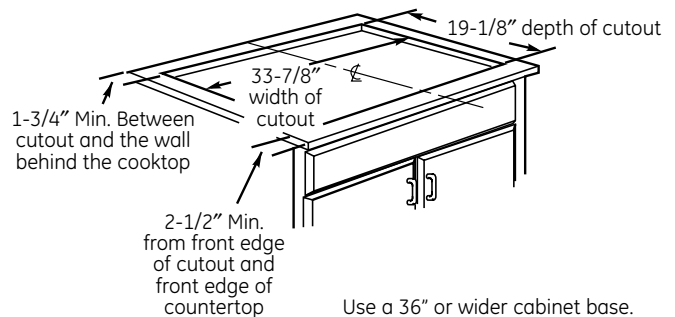


### 3 VERTICAL CLEARANCES (CONT.)

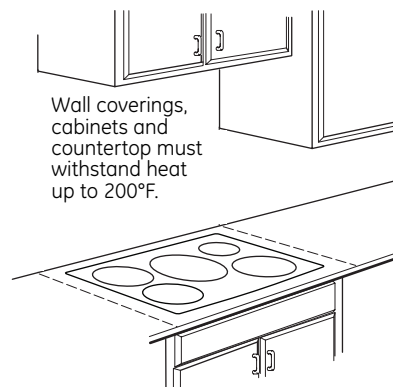
**IMPORTANT:** To ensure long life of the electronic components, allow a minimum of 12" free space for air circulation below the cooktop bottom. (Except installation over a single oven.) The cooktop bottom has air intake ports toward the front that help cool the components. Do not install a shelf or partition beneath the cooktop that is more than 18" deep.

### 4 CUTOUT DIMENSIONS OF THE COUNTERTOP

To insure accuracy, it is best to make a template when cutting the opening in the counter.



- 5** Make sure the wall coverings, countertop and cabinets around the cooktop can withstand heat (up to 200°F) generated by the cooktop.



# Installation Instructions

## INSTALLING OPTIONS

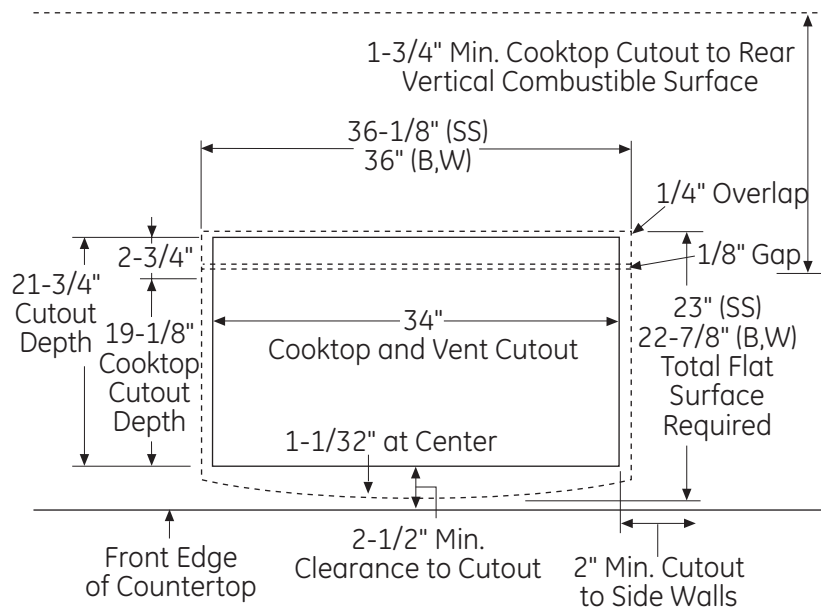
### COOKTOP INSTALLATION WITH A GE OR GE MONOGRAM 30" DOWNDRAFT VENT

The installation of the downdraft vent with this cooktop requires careful consideration. Both the cooktop and the vent must be installed according to each specific installation instruction.

### COOKTOP REQUIREMENTS

The countertop must have a deep flat surface to accommodate the cooktop and vent. Countertops with a rolled front edge and backsplash will not provide the flat surface area required.

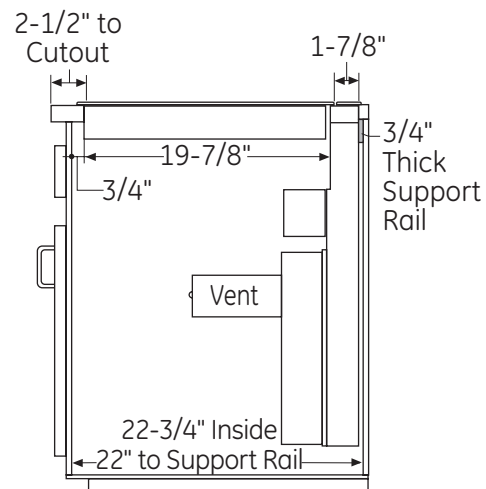
- Review the illustration to determine the countertop surface requirements.
  - All cutout clearances for this installation must be observed.



### BASE CABINET REQUIREMENTS

The combined installation will fit in a standard 24" deep base cabinet. Use a 36" or wider base cabinet.

- The vent housing, blower and ductwork will occupy the base cabinet.



# Installation Instructions

## INSTALLING OPTIONS

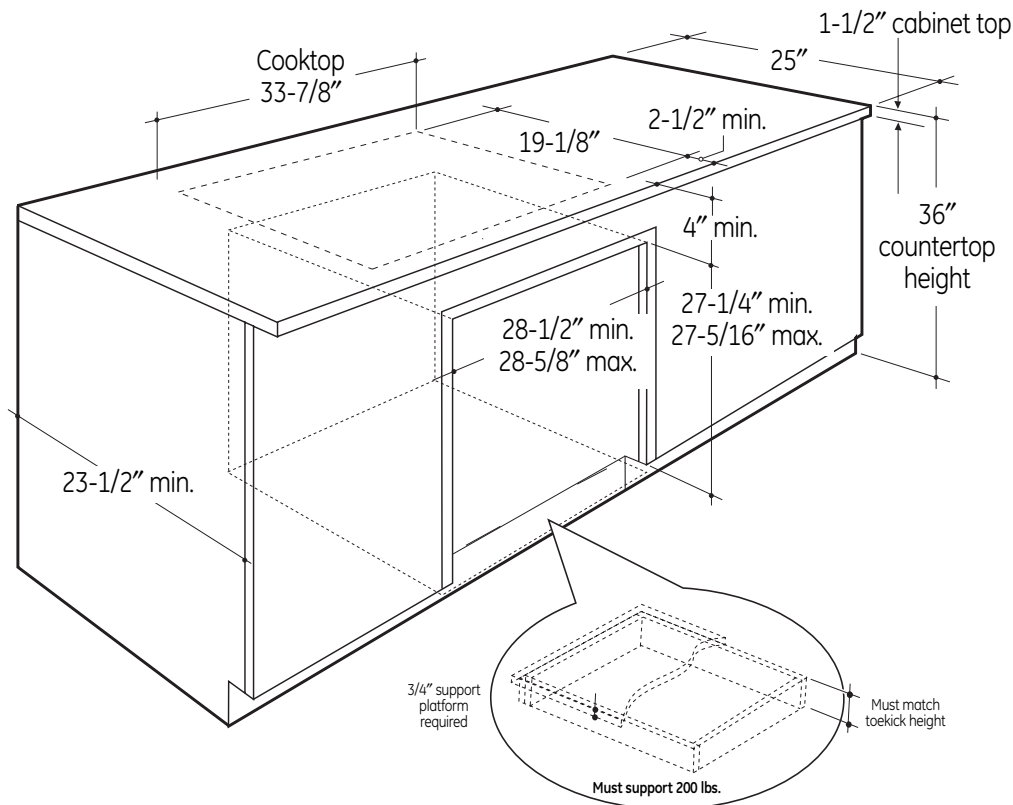
### COOKTOP INSTALLATION OVER A GE OR GE MONOGRAM SINGLE OVEN

These cooktops may be installed over a single oven. Both the cooktop and the oven must be installed according to each specific installation instruction.

- Allow 4" Min. clearance from the top of the countertop to the top of the oven cutout.

### POWER SUPPLY

The oven requires a separate, properly grounded 20 Amp, 3-wire 208 or 240 volt, 60 Hz power supply. The cooktop requires a separate 50 Amp, 3-wire, 208 or 240 volt, 60 Hz power supply.



Use a 36" or wider base cabinet.

- For best appearance, the cooktop should be centered over the oven.
- The baffle on the underside of the cooktop is not necessary for this combination installation. If the baffle is attached, remove it.
- This cooktop is only approved to be installed over the specific models listed on the label of this unit.

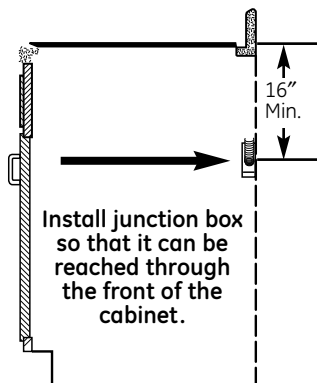
# Installation Instructions

## ELECTRICAL CONNECTIONS

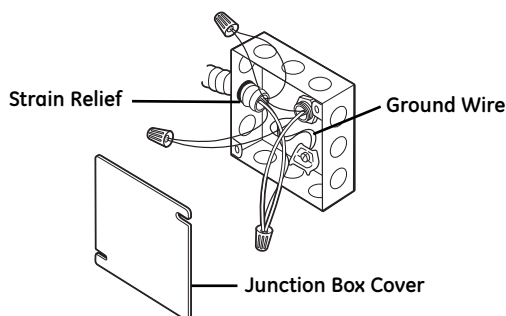
### NEW CONSTRUCTION AND BRANCH CIRCUIT CONNECTION

**⚠ WARNING:** Improper connection of aluminum house wiring to copper leads can result in an electrical hazard or fire. Use only connectors designed for joining copper to aluminum and follow the manufacturer's recommended procedure closely.

When making the wire connections, use the entire length of conduit provided. The conduit must not be shortened (unless required by local codes). The conduit length is 4 ft. With the cooktop in place, open the front of the cabinet door. Insert the wires from the conduit through the opening of the junction box. The conduit strain relief clamp must be securely attached to the junction box and the flexible conduit must be securely attached to the clamp.



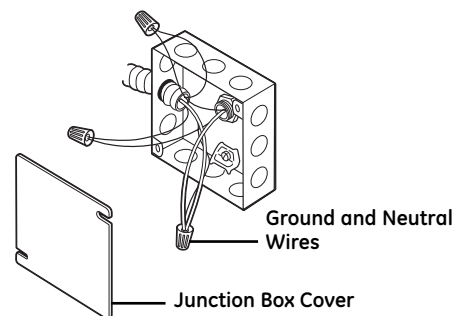
- When installing in new construction, or
  - When installing in a mobile home, or
  - When installing in a recreational vehicle, or
  - When local codes do not permit grounding through neutral:
- Insert conduit through strain relief and tighten.
  - Attach the appliance grounding lead (green or bare copper) in accordance with local codes. If the residence grounding conductor is aluminum, see WARNING.



### THREE-CONDUCTOR BRANCH CIRCUIT CONNECTION

When connecting to a three-conductor branch circuit, if local codes permit:

- Connect the bare cooktop ground conductor with the crimped ground (green) lead to the branch circuit ground (green) using a wire nut.



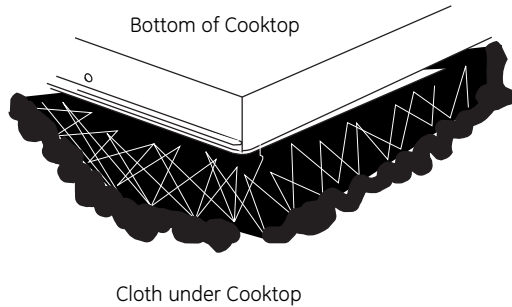
- Connect the cooktop red lead to the branch circuit red lead in accordance with local codes, using a wire nut.
  - Connect the cooktop black lead to the branch circuit black lead in accordance with local codes, using a wire nut. If the residence red, black or white leads are aluminum conductors, see WARNING.
- Install Junction Box Cover.

# Installation Instructions

## INSTALLING THE COOKTOP

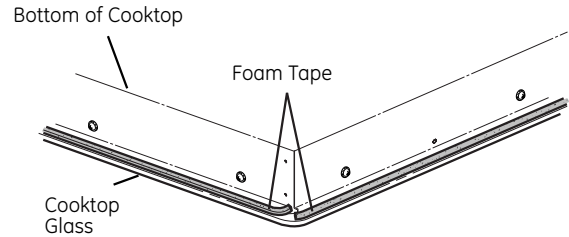
### 1 PROTECT SURFACE OF COOKTOP

Place a towel or tablecloth onto the countertop. Lay the cooktop upside down onto the protected surface.



### 3 ATTACH FOAM TAPE

Apply the foam tape around the outer edge of the glass. **Do not overlap the foam tape.**

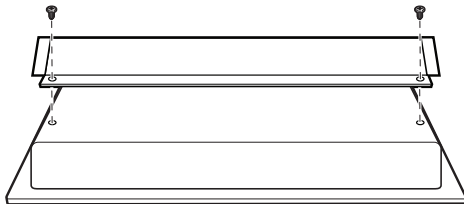


**NOTE:** On stainless steel models, apply foam tape on the sides and rear.

### 2 INSTALL BAFFLE

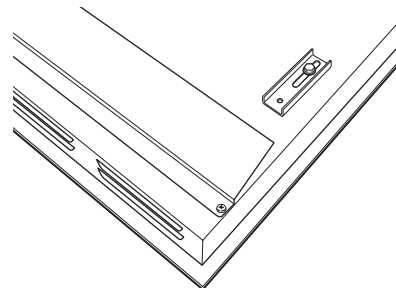
Secure the baffle to the cooktop with screws.

**NOTE:** Do not install the baffle when the cooktop is installed over a single oven.



### 4 INSTALL HOLD-DOWN BRACKETS

Start one screw through the bracket and into the cooktop. (Both sides.) Do not tighten. Turn the bracket inwards to avoid interference when dropping the cooktop into the countertop.

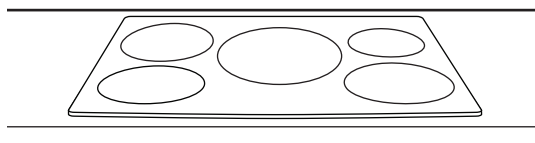
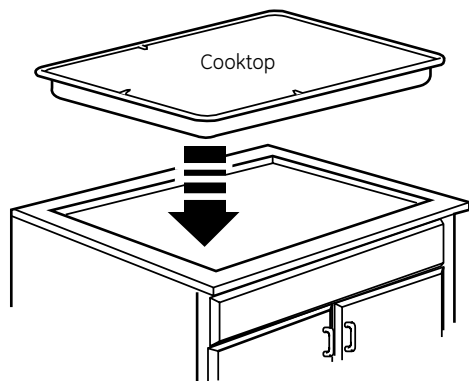




# Installation Instructions

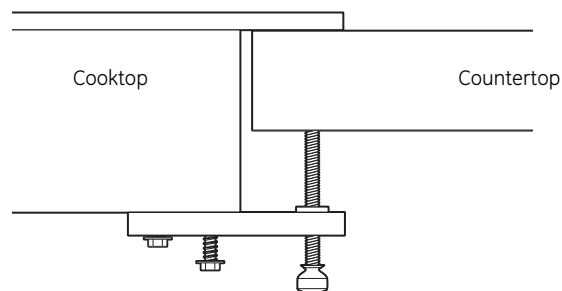
## 5 INSERT COOKTOP INTO CUTOUT

Insert the cooktop centered into the cutout opening. Make sure the front edge of the countertop is parallel to the cooktop. Make final check that all required clearances are met.



## 6 ATTACH HOLD-DOWN BRACKETS TO CABINET

Open the cabinet door. Install the second screw through the bracket and tighten. Then tighten the first screw. Install thumbscrew until it touches the bottom of the countertop.



**IMPORTANT:** Turn the thumbscrew until it touches the bottom of the countertop. Do not overtighten.

# Installation Instructions

## CHECKLISTS

### 1 PRE-TEST CHECKLIST

- A** Remove all protective film, if present, and any stickers.
- B** Check to be sure that all wiring is secure and not pinched or in contact with moving parts.
- C** Check level of appliance.
- D** Check that the cooktop is properly grounded.

### 2 OPERATION CHECKLIST

- A** Remove all items from the top of the cooktop surface.
- B** Turn on the power to the cooktop. (Refer to your Owner's Manual.) Verify that all surface burners operate properly.
- C** Check that the circuit breaker is not tripped nor the house fuse blown.
- D** Check that conduit is securely connected to the junction box.
- E** See Owner's Manual for troubleshooting list.

#### NOTE TO ELECTRICIAN:

The power leads supplied with this appliance are UL recognized for connections to larger gauge household wiring. The insulation of these leads is rated at temperatures much higher than the temperature rating of household wiring. The current carrying capacity of a conductor is governed by the wire gauge and also the temperature rating of the insulation around the wire.

#### NOTE: ALUMINUM WIRING

- **WARNING:**  
IMPROPER CONNECTION OF ALUMINUM HOUSE WIRING TO THE COPPER LEADS CAN RESULT IN A SERIOUS PROBLEM.
- Splice copper wires to aluminum wiring using special connectors designed and UL approved for joining copper to aluminum and follow the manufacturer's recommended connector procedure closely.

**NOTE:** Wire used, location and enclosure of splices, etc., must conform to good wiring practice and local codes.

# Instructions d'installation

# Table de cuisson à induction de 36"

PHP960, ZHU36

? « Si vous avez des questions, appelez au 800.561.3344 ou visitez notre site web : [electromenagersge.ca](http://electromenagersge.ca) »

## AVANT DE COMMENCER

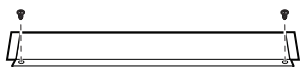
Lisez attentivement la totalité de ces instructions.

- **IMPORTANT** – Conservez ces instructions à l'usage de l'inspecteur local.
- **IMPORTANT** – Respectez toutes les normes et les réglementations en vigueur.
- **Remarque à l'installateur** – Assurez-vous de laisser ces instructions au consommateur.
- **Remarque à l'installateur** – Conservez ces instructions pour future référence.
- Les pannes du produit provoquées par une installation incorrecte ne sont pas couvertes par la garantie.

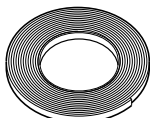
**⚠ AVERTISSEMENT** – Cet appareil doit être correctement raccordé à la terre.

- **ATTENTION INSTALLATEUR** – TOUTES LES TABLES DE CUISSON DOIVENT ÊTRE RACCORDÉES (CÂBLÉES) DIRECTEMENT À UNE BOÎTE DE DÉRIVATION AGRÉÉE. UNE PROCÉDURE « FICHE ET PRISE DE COURANT » N'EST PAS AUTORISÉE SUR CES PRODUITS.
- Une installation correcte est de la responsabilité de l'installateur et les pannes provoquées par une installation incorrecte NE sont PAS couvertes par la garantie.

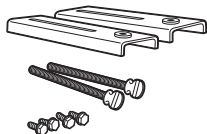
## PIÈCES INCLUSES



Défecteur  
(pour toutes les installations  
sauf au-dessus d'un four)

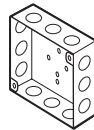


L'isolant adhésif



2 fixations de maintien  
6 vis à tête hexagonale  
2 vis papillon

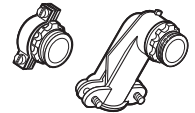
## ÉQUIPEMENTS DONT VOUS AUREZ BESOIN



Boîte de dérivation  
(adaptée aux câbles  
et conforme aux  
normes électriques  
locales)



Grands serre-fils

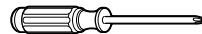


Connecteur à sertir  
droit ou à 90° pour un  
câble de 2 cm (3/4")

## OUTILS DONT VOUS AUREZ BESOIN



Crayon



Tournevis cruciforme



Clé à douille de 1/4"



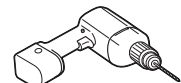
Règle



Lunettes de protection



Scie sauteuse



Perceuse électrique ou à  
main avec foret de 1/8"

## CONSIGNES DE SÉCURITÉ IMPORTANTES

### POUR VOTRE SÉCURITÉ

- Pour votre sécurité personnelle, enlevez le fusible ou coupez le disjoncteur avant de commencer l'installation. Le non-respect de cette consigne peut provoquer des blessures graves ou la mort.
- Assurez-vous que la table de cuisson est correctement installée par un installateur ou un technicien de service qualifié.
- Pour éliminer le risque de brûlure ou d'incendie au-dessus des éléments de surface chauds, il est préférable d'éviter l'installation de placards de rangement au-dessus des unités de surface. Si un espace de rangement doit être aménagé, le risque peut être réduit en installant une hotte qui dépasse horizontalement d'un minimum de 12,7 cm (5") au-delà du bas des placards. L'installation d'un placard au-dessus de la table de cuisson peut ne pas dépasser 33 cm (13").
- Assurez-vous que les placards et les revêtements muraux autour de la table de cuisson peuvent supporter les hautes températures (jusqu'à 93°C [200°F]) générées par la table de cuisson.
- La table de cuisson doit être facilement accessible et éclairée par la lumière naturelle pendant la journée.
- Débranchez toujours le circuit électrique de la table de cuisson avant une réparation ou l'entretien de la table de cuisson. Pour ce faire, démontez le fusible ou coupez le disjoncteur. Le non-respect de cette consigne peut provoquer un choc électrique grave ou mortel. Sachez où se trouve le disjoncteur de votre alimentation électrique. Si vous ne le savez pas, demandez à votre électricien.

### CONDITIONS ÉLECTRIQUES REQUISES

Cet appareil doit être alimenté avec la tension et la fréquence correcte, branché sur un circuit dérivé individuel, correctement raccordé à la terre, protégé par un coupe-circuit ou un fusible de temporisation, comme indiqué sur la plaque signalétique.

Nous vous recommandons de faire réaliser le câblage et le raccordement électrique de votre table de cuisson par un électricien qualifié. Après l'installation, demandez à l'électricien de vous montrer où se trouve le disjoncteur principal de votre table de cuisson.

Le câblage doit être conforme au Code national électrique et aux normes locales. Vous pouvez obtenir une copie du Code national électrique, ANSI/NFPA N° 70 – dernière édition, en écrivant à :

National Fire Protection Association  
Batterymarch Park  
Quincy, MA 02269

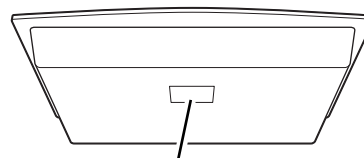
Au Canada, le câblage doit se conformer au Code canadien de l'électricité (CCE).

Le câblage de la table de cuisson est approuvé uniquement pour un branchement avec des fils de cuivre, et si le câblage de votre maison est en aluminium, vous devrez utiliser un connecteur spécial approuvé UL pour raccorder les fils de cuivre à ceux d'aluminium. Au Canada, vous devez utiliser des connecteurs spéciaux homologués CSA pour joindre le cuivre à l'aluminium.

Vous devez utiliser un système électrique à deux fils, trois conducteurs 208/240 V CA, 60 Hz. Un fil blanc (neutre) n'est pas nécessaire pour cet appareil.

Consultez la plaque signalétique de votre table de cuisson pour connaître l'indice KW de votre table de cuisson.

Ces tables de cuisson nécessitent un service de 50 ampères.



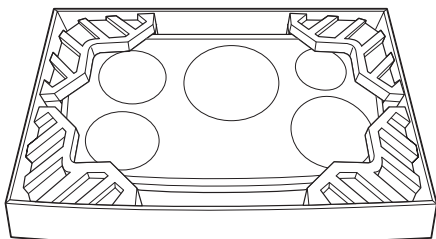
Emplacement de la plaque signalétique

## CHECK-LIST DE PRÉPARATION

### AVANT DE COMMENCER

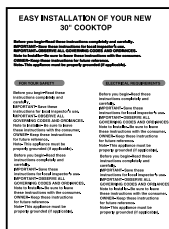
**⚠ AVERTISSEMENT** – L'alimentation électrique de la table de cuisson doit être coupée pour effectuer les raccordements. Le non-respect de cette consigne peut provoquer des blessures graves ou la mort.

- A** Lors de la préparation de l'ouverture pour la table de cuisson, assurez-vous que l'intérieur du meuble et la table de cuisson n'interfèrent pas l'un avec l'autre. (Voir la section sur la préparation de l'ouverture.)
- B** Enlevez les matériaux d'emballage et l'ensemble de la documentation de la table de cuisson avant de commencer l'installation.



- C** Sortez les instructions d'installation du jeu de documents et lisez-les attentivement avant de commencer.

Assurez-vous de conserver toute la documentation, le manuel d'utilisation, les instructions d'installation, etc., dans un endroit sûr pour future référence.



- D** Assurez-vous de disposer de tous les outils et les équipements dont vous aurez besoin avant de commencer l'installation de la table de cuisson.
- E** Votre domicile doit proposer le service électrique approprié et nécessaire pour une utilisation correcte et en toute sécurité de votre table de cuisson. (Voir la section sur les conditions électriques requises.)
- F** Lors de l'installation de la table de cuisson à votre domicile, assurez-vous que toutes les réglementations et les normes locales sont scrupuleusement respectées.
- G** Assurez-vous que les revêtements muraux, le plan de travail et les placards autour de la table de cuisson peuvent supporter la chaleur (jusqu'à 93°C [200°F]) générée par la table de cuisson.

### PLANIFICATION AVANCÉE

#### Installations combinées

Ces tables de cuisson peuvent être installées en combinaison avec un extracteur agréé ou un four simple.

#### Table de cuisson et extracteur

- Le plan de travail doit disposer d'une surface plate et profonde pour accepter l'installation combinée d'une table de cuisson et d'un extracteur.
- Il est nécessaire de prendre en compte des emplacements séparés pour l'alimentation électrique.
- Laissez un espace libre de 30 cm (12") entre les prises d'aération du fond de la table de cuisson et l'arrière du meuble.
- La table de cuisson et l'extracteur doivent être installés conformément à leurs instructions d'installation respectives.

#### Table de cuisson et four simple

- Il est nécessaire de prendre en compte des emplacements et des conditions électriques requises séparées.
- La table de cuisson et le four doivent être installés conformément à leurs instructions d'installation respectives.

#### Installation au-dessus de tiroirs de rangement

Laissez un espace libre de 30 cm (12") pour les combustibles sous la table de cuisson. Un tiroir situé directement sous la table de cuisson ne peut pas être utilisé pour stocker des articles comme des serviettes ou des produits en papier. Utilisez en façade un faux tiroir pour masquer l'espace vide si nécessaire.

## PRÉPARATION DE L'OUVERTURE

### 1 L'espace libre doit avoir AU MINIMUM les dimensions suivantes.

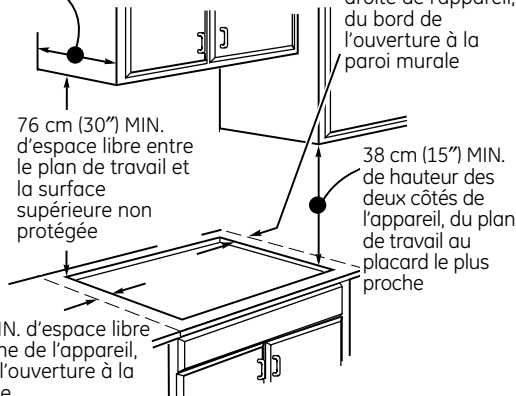
33 cm (13") MAX. de profondeur des placards supérieurs non protégés

5 cm (2") MIN. d'espace libre sur la droite de l'appareil, du bord de l'ouverture à la paroi murale

76 cm (30") MIN. d'espace libre entre le plan de travail et la surface supérieure non protégée

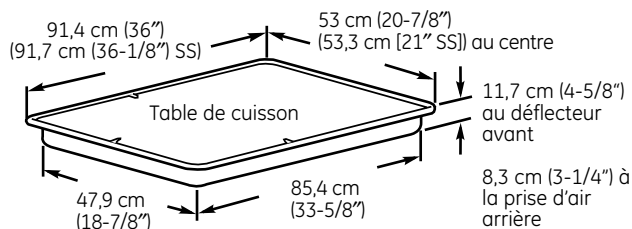
38 cm (15") MIN. de hauteur des deux côtés de l'appareil, du plan de travail au placard le plus proche

5 cm (2") MIN. d'espace libre sur la gauche de l'appareil, du bord de l'ouverture à la paroi murale



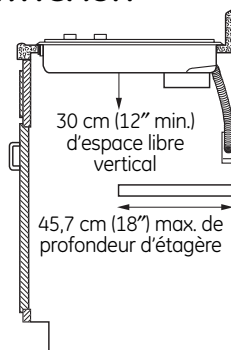
Si un espace libre de 76 cm (30") entre la surface de cuisson et les matériaux combustibles ou les placards métalliques supérieurs ne peut pas être obtenu, un espace libre minimal de 61 cm (24") sera nécessaire et le dessous des placards, au-dessus de la table de cuisson, devront être protégés avec un carton d'isolation d'une épaisseur supérieure à 6 mm (1/4") et recouvert d'une feuille métallique d'une épaisseur supérieure à 0,3 mm (0,0122").

### 2 DIMENSIONS HORS TOUT DE LA TABLE DE CUISSON



### 3 ESPACES LIBRES VERTICAUX

Laissez un espace libre minimal de 30 cm (12") entre le fond de la table de cuisson et toute surface combustible.

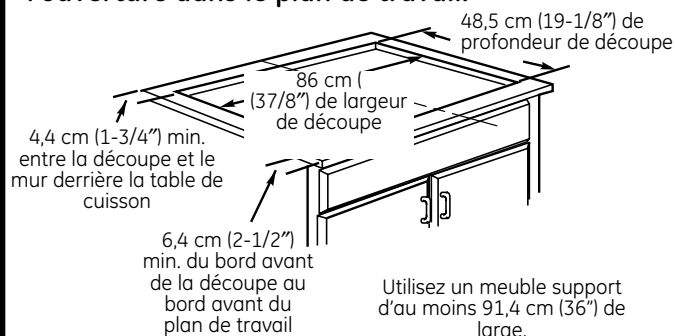


### 3 ESPACES LIBRES VERTICAUX (SUITE)

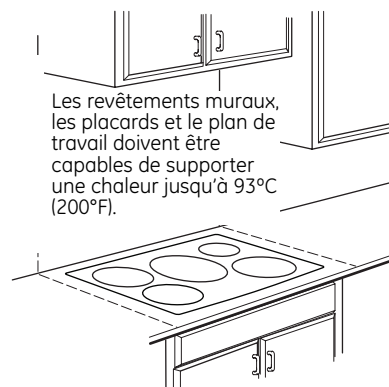
**IMPORTANT :** pour garantir la longévité des composants électroniques, laissez un espace libre minimal de 30 cm (12") pour la circulation d'air sous le fond de la table de cuisson. (Sauf pour une installation au-dessus d'un four simple.) Le fond de la table de cuisson dispose de prises d'aération vers l'avant qui aident à refroidir les composants. N'installez pas d'étagère ou de compartiment sous la table de cuisson de plus de 45,7 cm (18") de profondeur.

### 4 DIMENSIONS DE LA DÉCOUPE DANS LE PLAN DE TRAVAIL

Pour garantir la précision de la découpe, il est préférable d'utiliser un gabarit pour effectuer l'ouverture dans le plan de travail.



5 Assurez-vous que les revêtements muraux, le plan de travail et les placards autour de la table de cuisson peuvent supporter la chaleur (jusqu'à 93°C [200°F]) générée par la table de cuisson.



# Instructions d'installation

## OPTION D'INSTALLATION—POUR GE MONOGRAM

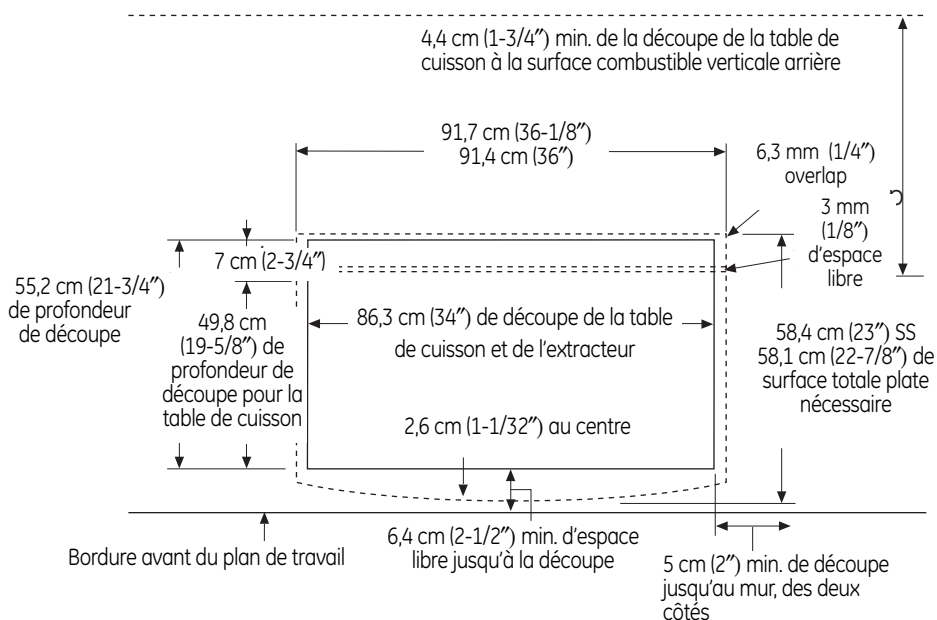
### INSTALLATION COMBINÉE DE LA TABLE DE CUISSON À INDUCTION GE OU GE MONOGRAM ET DE L'EXTRACTEUR 30"

L'installation de l'extracteur avec cette table de cuisson nécessite une réalisation soignée. La table de cuisson et l'extracteur doivent être installés conformément à leurs instructions d'installation respectives.

### CONDITIONS REQUISES DU PLAN DE TRAVAIL

Le plan de travail doit disposer d'une surface plate et profonde pour accepter l'installation de la table de cuisson et de l'extracteur. Les plans de travail avec une bordure de champ arrondi à l'avant et un dossier ne disposent de la surface plate requise.

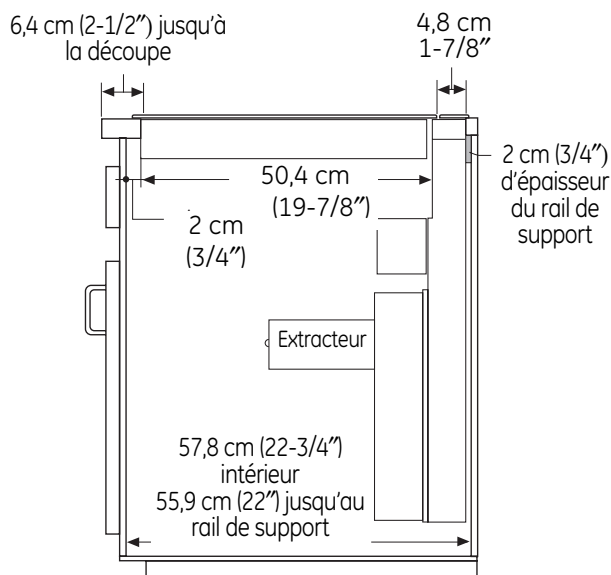
- Consultez l'illustration pour déterminer les conditions requises du plan de travail.
  - Tous les espaces libres de découpe pour cette installation doivent être respectés.



### CONDITIONS REQUISES DU MEUBLE SUPPORT

L'installation du combiné peut se faire dans un meuble support d'une profondeur standard de 61 cm (24"). Utilisez un meuble support d'au moins 91,4 cm (36") de large.

- Le logement de l'extracteur, le ventilateur et le conduit occuperont l'intérieur du meuble support.



## OPTIONS D'INSTALLATION

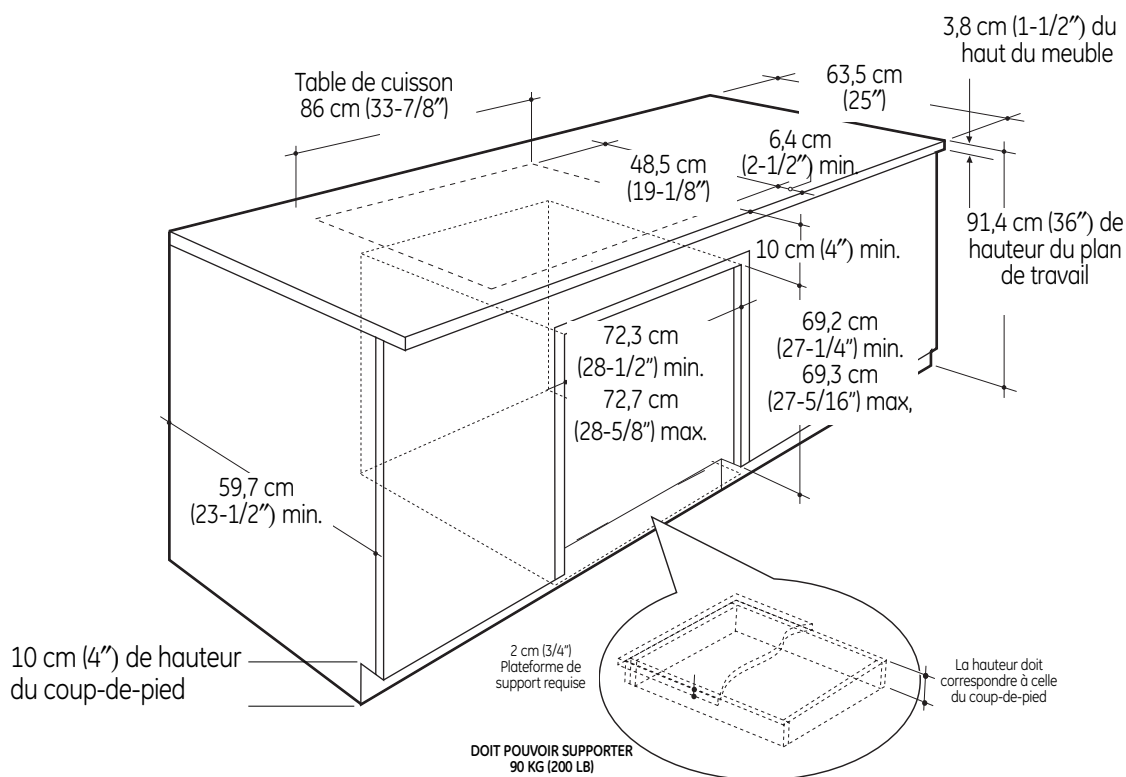
### INSTALLATION DE LA TABLE DE CUISSON AU-DESSUS D'UN FOUR SIMPLE GE OU GE MONOGRAM

Ces tables de cuisson peuvent être installées au-dessus d'un four simple. La table de cuisson et le four doivent être installés conformément à leurs instructions d'installation respectives.

- Laissez un espace libre minimal de 10 cm (4") entre le haut du plan de travail et le haut de la découpe du four.

### ALIMENTATION ÉLECTRIQUE

Le four nécessite une alimentation indépendante, correctement raccordée à la terre de 20 ampères, à trois fils de 208/240 V CA, 60 Hz. La table de cuisson nécessite une alimentation indépendante de 40 ampères, à trois fils de 208/240 V CA, 60 Hz.



Utilisez un meuble support d'au moins 91,4 cm (36") de large.

- Pour une meilleure apparence, la table de cuisson doit être centrée au-dessus du four.
- Le déflecteur du dessous de la table de cuisson n'est pas nécessaire pour cette installation combinée. Si le déflecteur est en place, enlevez-le.
- Cette table de cuisson est approuvée être seulement installée par-dessus les modèles spécifiques énumérés sur l'étiquette de cette unité.



## BRANCHEMENTS ÉLECTRIQUES

### CONSTRUCTION NEUVE ET RACCORDEMENT AU CIRCUIT DÉRIVÉ

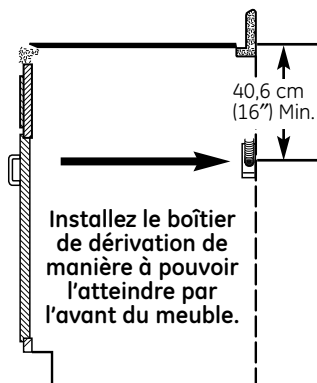
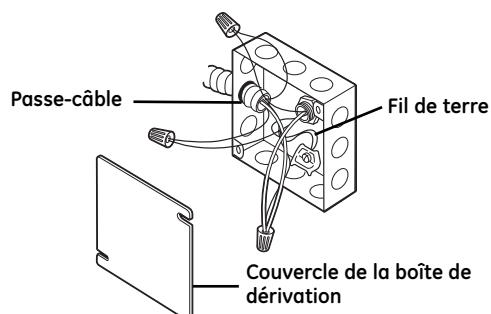
**⚠ AVERTISSEMENT :** un raccordement incorrect entre le câblage domestique en aluminium et les fils de sortie en cuivre peut provoquer un choc électrique ou un incendie. Utilisez uniquement des connecteurs conçus pour raccorder du cuivre sur de l'aluminium et respectez scrupuleusement la procédure recommandée par le fabricant.

Lors du raccordement des fils, utilisez la totalité de la longueur de câble fournie. Le câble ne doit pas être raccourci (sauf si les normes locales l'exigent). La longueur de câble est de 1,2 m (4 pieds). Après avoir installé la table de cuisson, ouvrez la porte avant du meuble. Passez les fils du câble à travers

l'ouverture de la boîte de dérivation. Le serre-câble du passe-câble doit être correctement fixé à la boîte de dérivation et le câble souple doit être correctement assujéti dans le serre-câble.

- Lors de l'installation dans une construction neuve ou
- Lors de l'installation dans une mobile-home ou
- Lors de l'installation dans un camping-car ou
- Lorsque les normes locales ne permettent pas un raccordement à la terre à travers le neutre :

- Insérez le câble à travers le passe-câble et serrez.
- Fixez le fil de terre de l'appareil (vert ou cuivre dénudé) conformément aux normes locales. Si le conducteur de terre du domicile est en aluminium, voir l'AVERTISSEMENT.

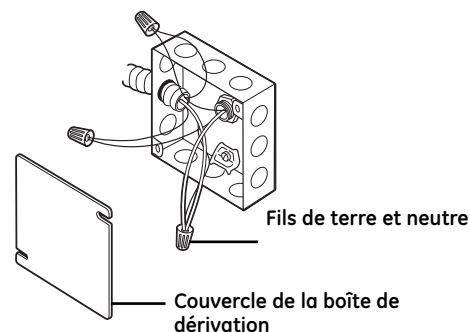


Installez le boîtier de dérivation de manière à pouvoir l'atteindre par l'avant du meuble.

### RACCORDEMENT AU CIRCUIT DÉRIVÉ À TROIS CONDUCTEURS

Lors du branchement à un circuit dérivé à trois conducteurs, si les normes locales le permettent :

- Branchez le conducteur de terre (vert) de la table de cuisson avec le fil de terre serti (vert) du circuit dérivé à l'aide d'un serre-fils.

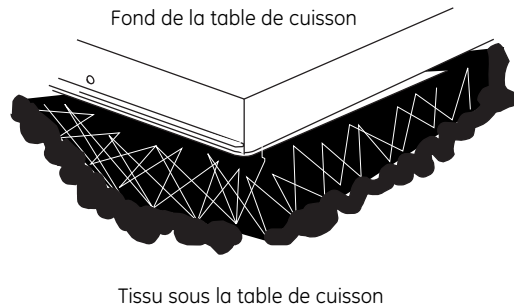


- Branchez le fil rouge de la table de cuisson au fil rouge du circuit dérivé conformément aux normes locales, à l'aide d'un serre-fils.
- Branchez le fil noir de la table de cuisson au fil noir du circuit dérivé conformément aux normes locales, à l'aide d'un serre-fils. Si les fils de sortie rouge, noir ou blanc du domicile sont des conducteurs en aluminium, voir l'AVERTISSEMENT.
- Installez le couvercle de la boîte de dérivation.

## INSTALLATION DE LA TABLE DE CUISSON

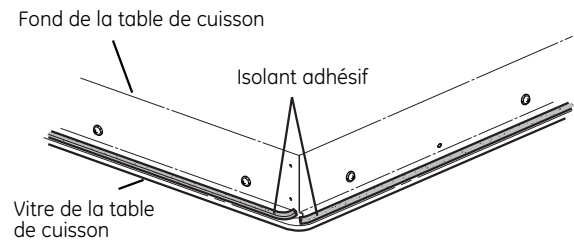
### 1 PROTÉGER LA SURFACE DE LA TABLE DE CUISSON

Placez une serviette ou une nappe sur le plan de travail. Posez la table de cuisson à l'envers sur cette surface de protection.



### 3 FIXEZ L'ISOLANT ADHÉSIF

Appliquez l'isolant adhésif autour de la bordure extérieure de la vitre. **Ne faites pas chevaucher l'isolant adhésif.**

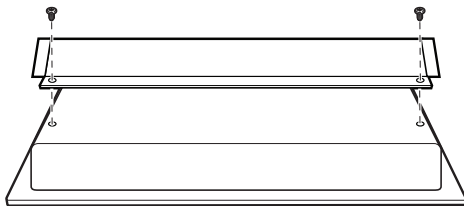


**REMARQUE :** sur les modèles en acier inoxydable, appliquez l'isolant adhésif sur les côtés et à l'arrière.

### 2 INSTALLEZ LE DÉFLECTEUR

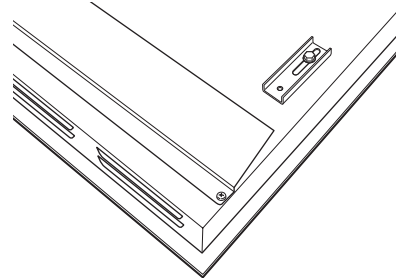
Fixez le déflecteur sur le table de cuisson avec les vis.

**REMARQUE :** n'installez pas le déflecteur lorsque la table de cuisson est positionnée au-dessus d'un four simple.



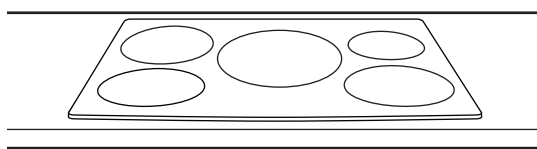
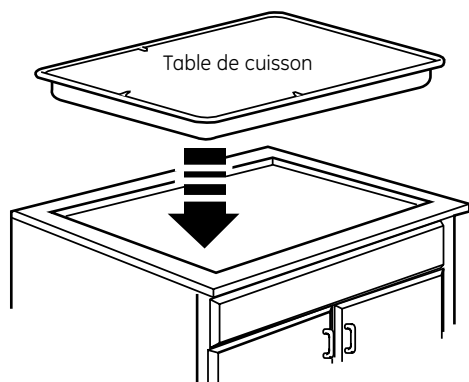
### 4 INSTALLEZ LES FIXATIONS DE MAINTIEN

Vissez une vis à travers la fixation dans la table de cuisson. (Des deux côtés.) Ne serrez pas. Tournez la fixation vers l'intérieur pour éviter qu'elle ne gêne lors de l'insertion de la table de cuisson dans le plan de travail.



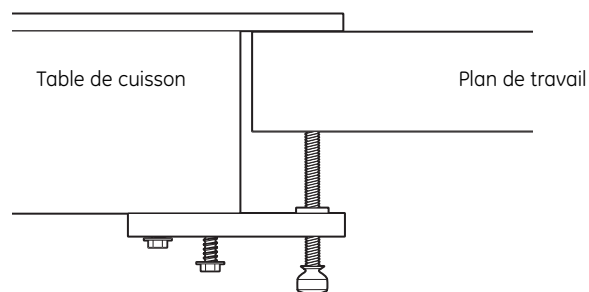
## 5 INSÉREZ LA TABLE DE CUISSON DANS LA DÉCOUPE

Insérez la table de cuisson centrée dans l'ouverture découpée. Assurez-vous que la bordure avant du plan de travail est parallèle à la bordure de la table de cuisson. Effectuez une dernière vérification sur la conformité des espaces libres requis.



## 6 SERREZ LES FIXATIONS DE MAINTIEN AU MEUBLE

Ouvrez la porte du meuble. Installez la deuxième vis à travers la fixation et serrez. Puis, serrez la première vis. Installez la vis papillon jusqu'à ce qu'elle touche le fond du plan de travail.



**IMPORTANT :** vissez la vis papillon jusqu'à ce qu'elle touche le fond du plan de travail. Ne la vissez pas en force.

## CHECK-LISTS

### 1 CHECK-LIST DE PRÉTEST

- A** Enlevez la totalité du film protecteur, si applicable, et tous les autocollants.
- B** Assurez-vous que tout le câblage est bien fixé sans pincement et qu'il n'est pas en contact avec des pièces mobiles.
- C** Vérifiez le nivellement de l'appareil.
- D** Vérifiez que la table de cuisson est correctement raccordée à la terre.

### 2 CHECK-LIST DE FONCTIONNEMENT

- A** Enlevez tous les objets de la surface de la table de cuisson.
- B** Mettez sous tension la table de cuisson. (Consultez votre manuel d'utilisation.) Vérifiez que tous les brûleurs de surface fonctionnent correctement.
- C** Vérifiez que le disjoncteur du circuit n'est pas déclenché et que le fusible domestique n'a pas grillé.
- D** Vérifiez que le câble est correctement raccordé à la boîte de dérivation.
- E** Consultez le manuel d'utilisation pour la liste de dépannage.

#### REMARQUE À L'ÉLECTRICIEN :

Les fils électriques de sortie fournis avec l'appareil sont conformes UL pour un raccordement à un câblage domestique de grand calibre. L'isolant de ces fils de sortie a été testé à des températures largement supérieures à celles observées sur un circuit électrique domestique. La capacité de transport du courant d'un conducteur est régie par le calibre du fil et l'indice de température de l'isolant autour du fil.

#### REMARQUE : CÂBLAGE EN ALUMINIUM

- **AVERTISSEMENT :**  
LE RACCORDEMENT INCORRECT D'UN CIRCUIT DOMESTIQUE EN ALUMINIUM À CES FILS DE SORTIE EN CUIVRE PEUT PROVOQUER UN GRAVE PROBLÈME.
- Épissez les fils en cuivre sur les fils en aluminium à l'aide de connecteurs spécialement conçus et conformes UL pour un branchement cuivre sur aluminium, et respectez scrupuleusement la procédure de raccordement recommandée par le fabricant.

REMARQUE : les fils utilisés, l'emplacement et l'isolation des épissures, etc., doivent être conformes à la bonne pratique électrique et aux normes locales.

# Instrucciones de instalación

## Anafe de inducción de 36"

PHP900, ZHU30

? "Si tiene alguna pregunta, llame a 800.GE.CARES o visite nuestro sitio Web en: ge.com"

### ANTES DE COMENZAR

Lea estas instrucciones por completo y con detenimiento.

- **IMPORTANTE** – Guarde estas instrucciones para el uso de inspectores locales.
- **IMPORTANTE** – Cumpla con todos los códigos y ordenanzas vigentes.
- **Nota al instalador** – Asegúrese de dejar estas instrucciones con el consumidor.
- **Nota al consumidor** – Conserve estas instrucciones para referencia futura.
- La Garantía no cubre las fallas del producto debido a una instalación incorrecta.

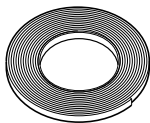
**⚠ ADVERTENCIA** – Este artefacto debe tener una correcta conexión a tierra.

- **ATENCIÓN INSTALADOR** – **TODOS LOS ANAFES DEBEN CONTAR CON CABLEADO DE CONEXIÓN PERMANENTE (CABLEADO DIRECTO) DENTRO DE UNA CAJA DE CONEXIONES APROBADA. EN ESTOS PRODUCTOS NO SE PERMITE LA CONEXIÓN DEL TIPO "ENCHUFE Y RECEPTÁCULO".**
- La correcta instalación es responsabilidad del instalador y la garantía **NO** cubre las fallas del producto debido a una instalación incorrecta.

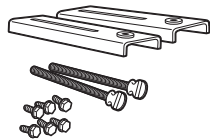
### PIEZAS INCLUIDAS



Deflector  
(para todas las instalaciones salvo sobre un horno).

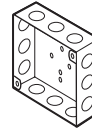


Cinta de espuma



2 Soportes de sujeción  
6 tornillos de cabeza hexagonal  
2 tornillos de mariposa

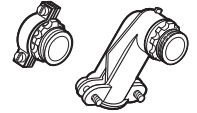
### MATERIALES NECESARIOS



Caja de conexiones  
(con clasificación para tamaño de conductos según los códigos eléctricos locales).



Tapones de alambre grandes



Conexión de presión de 90° o derecha para conductos de ?"

### HERRAMIENTAS NECESARIAS



Lápiz



Destornillador Phillips



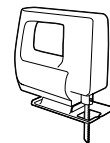
Llave de tuercas de 1/4"



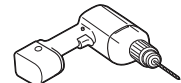
Regla



Gafas de seguridad



Sierra sable



Broca de perforadora de 1/8" o perforadora de mano

# Instrucciones de instalación

## INSTRUCCIONES DE SEGURIDAD IMPORTANTES

### PARA SU SEGURIDAD

- Para seguridad personal, quite los fusibles o abra el disyuntor antes de comenzar la instalación. No hacerlo puede provocar la muerte o una lesión personal grave.
- Verifique que un instalador o un técnico calificados instalen su anafe correctamente.
- A fin de eliminar el riesgo de quemaduras o incendios provocados por inclinarse sobre elementos de superficie calientes, debe evitarse la instalación de gabinetes sobre las unidades de superficie. Si se debe contar con un espacio de gabinetes, puede reducirse el riesgo mediante la instalación de una campana de cocina que sobresalga horizontalmente en 5" como mínimo por la parte inferior de los gabinetes. La instalación de gabinetes por encima del anafe no debe superar una profundidad de 13".
- Verifique que los gabinetes y el revestimiento de las paredes ubicadas alrededor del anafe puedan soportar las temperaturas (hasta 200°F) generadas por el anafe.
- El anafe debe tener un fácil acceso y debe contar con iluminación natural durante el día.
- Siempre desconecte el servicio eléctrico antes de reparar o arreglar el anafe. Esto puede realizarse desconectando los fusibles o el disyuntor. No hacerlo puede provocar una descarga peligrosa o fatal. Sepa donde se encuentra el interruptor de desconexión principal. Si no lo sabe, consulte a su electricista.

### REQUERIMIENTOS ELÉCTRICOS

Este artefacto debe abastecerse con el voltaje y frecuencia adecuados y debe conectarse en un circuito derivado individual con correcta conexión a tierra, protegido por un disyuntor o fusible de tiempo retardado, como se señala en la placa de nombre.

Recomendamos que un electricista calificado conecte el cableado eléctrico y efectúe las conexiones su anafe. Después de la instalación, solicite al electricista que le muestre donde se encuentra la desconexión principal del anafe.

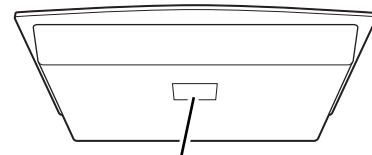
El cableado debe cumplir con el Código Eléctrico Nacional y con todos los códigos eléctricos locales. Usted puede obtener una copia del Código Eléctrico Nacional ANSI/NFPA No. 70 - última edición escribiendo a:

National Fire Protection Association  
Batterymarch Park  
Quincy, MA 02269

El cableado del anafe está aprobado sólo para conexiones de cables de cobre, y si tiene cableados doméstico de aluminio, usted debe utilizar conectores aprobados UL para unir cobre con aluminio.

Debe utilizarse un sistema eléctrico de 60 hercios, 208/240 VAC de tres conductores y dos hilos. No se necesita un cable blanco (neutral) para esta unidad.

Consulte la placa de nombre de su anafe para la clasificación de KW de su anafe. Estos anafes requieren un servicio de 50 amperios.



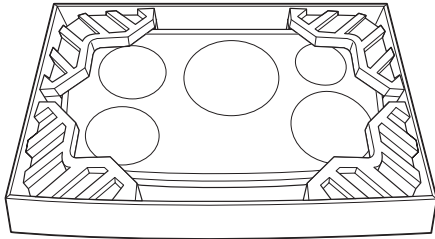
Ubicación de la placa de nombre

## LISTA DE CONTROL PRE-INSTALACIÓN

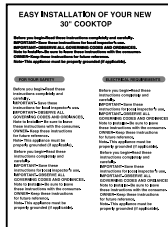
### ANTES DE COMENZAR

**⚠ ADVERTENCIA** – La energía eléctrica de la línea de abastecimiento del anafe debe estar desconectada mientras se realizan las conexiones. No hacerlo puede provocar la muerte o una lesión personal grave.

- A** Cuando realice una abertura para el anafe, verifique que la parte interna del gabinete y el anafe no interfieran entre sí. (Ver sección sobre la preparación de la abertura).
- B** Quite los materiales de embalaje y el paquete con información sobre el producto del anafe antes de comenzar la instalación.



- C** Tome las Instrucciones de instalación del paquete con información sobre el producto y léalas con cuidado antes de comenzar. Asegúrese de colocar todo el material de información, el Manual de Usuario, las Instrucciones de instalación, etc. en un lugar seguro para referencia futura.



- D** Asegúrese de contar con todas las herramientas y materiales que necesita antes de comenzar la instalación del anafe.
- E** Su hogar debe contar con el servicio eléctrico adecuado necesario para un uso seguro y adecuado del anafe. (Ver la sección sobre requerimientos eléctricos).
- F** Cuando instale el anafe en su hogar, constate que todos los códigos y ordenanzas se cumplan al pie de la letra.
- G** Verifique que el revestimiento de las paredes, la mesada y los gabinetes ubicados alrededor del anafe puedan soportar el calor (hasta 200°F) generado por el anafe.

### PLANIFICACIÓN PREVIA

#### Instalaciones en combinación

Estos anafes pueden instalarse en combinación con una ventilación de corriente descendente aprobada o un horno único.

#### Anafe y una ventilación de corriente descendente

- La mesada debe tener una superficie plana y profunda para que entre la instalación combinada del anafe y la ventilación.
- Deben tenerse en cuenta las ubicaciones separadas de suministro eléctrico.
- Deje un espacio de 12" entre las tomas de aire de la parte inferior del anafe hacia la parte trasera y cualquier obstrucción.
- El anafe y la ventilación deben instalarse de acuerdo con las instrucciones de instalación específicas de cada producto.

#### Anafe con horno único

- Deben tenerse en cuenta los requerimientos y las ubicaciones separadas de suministro eléctrico.
- El anafe y el horno deben instalarse de acuerdo con las instrucciones de instalación específicas de cada producto.

#### Instalación sobre cajones de gabinetes

Deje un espacio de 12" respecto de elementos combustibles debajo del anafe. No puede utilizarse un cajón ubicado directamente debajo del anafe para guardar elementos tales como toallas o productos de papel. Si fuese necesario, utilice un frente de cajón falso para obtener espacio.

## CÓMO PREPARAR LA ABERTURA

### 1 Deben mantenerse las siguientes dimensiones MÍNIMAS de espacio libre.

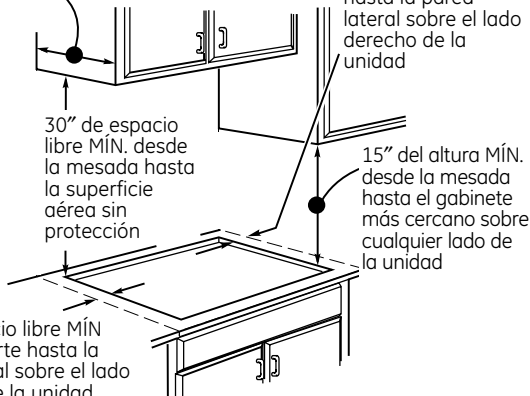
13" de profundidad MÁX en gabinetes aéreos sin protección

2" de espacio libre MÍN desde el corte hasta la pared lateral sobre el lado derecho de la unidad

30" de espacio libre MÍN. desde la mesada hasta la superficie aérea sin protección

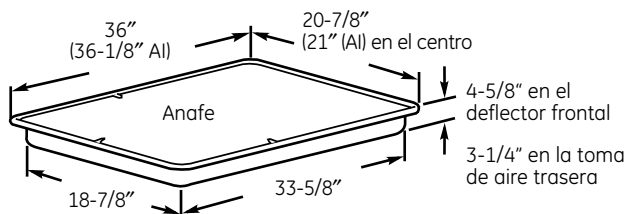
15" del altura MÍN. desde la mesada hasta el gabinete más cercano sobre cualquier lado de la unidad

2" de espacio libre MÍN desde el corte hasta la pared lateral sobre el lado izquierdo de la unidad



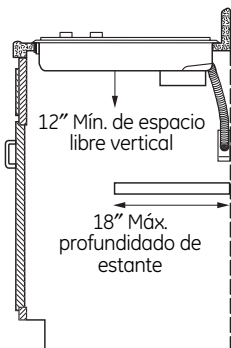
Si no se puede mantener un espacio de 30" entre la superficie de cocción y el material combustible superior o gabinetes de metal, se requiere un espacio libre mínimo de 24", y el lado inferior de los gabinetes por encima del anafe debe protegerse con cartón aislante no menor a 1/4" cubierto con planchas metálicas con un grosor no menor a 0.0122".

### 2 DIMENSIONES TOTALES DEL ANAFE



### 3 ESPACIOS LIBRES VERTICALES

Deje 12" espacio libre vertical como mínimo entre la parte inferior del anafe y cualquier superficie combustible.

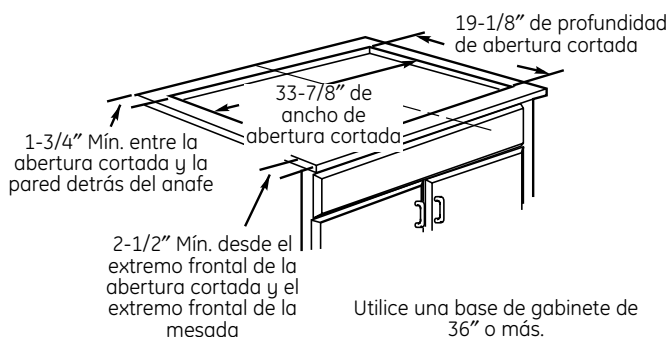


### 3 ESPACIOS LIBRES VERTICALES (CONT.)

**IMPORTANTE:** Para garantizar una larga vida útil de los componentes electrónicos, deje 12" como mínimo de espacio libre para circulación de aire debajo de la parte inferior del anafe. (Excepto la instalación sobre un horno único). La parte inferior del anafe cuenta con tomas de aire hacia el frente que ayudan a enfriar los componentes. No instale un estante o partición debajo del anafe de más de 18" de profundidad.

### 4 DIMENSIONES DE LA ABERTURA DE LA MESADA

Para asegurar precisión, es mejor utilizar una plantilla cuando corte la abertura de la mesada.



5 Verifique que el revestimiento de las paredes, la mesada y los gabinetes ubicados alrededor del anafe puedan soportar el calor (hasta 200°F) generado por el anafe.





# Instrucciones de instalación

## OPCIÓN DE INSTALACIÓN—PARA EL GE MONOGRAM

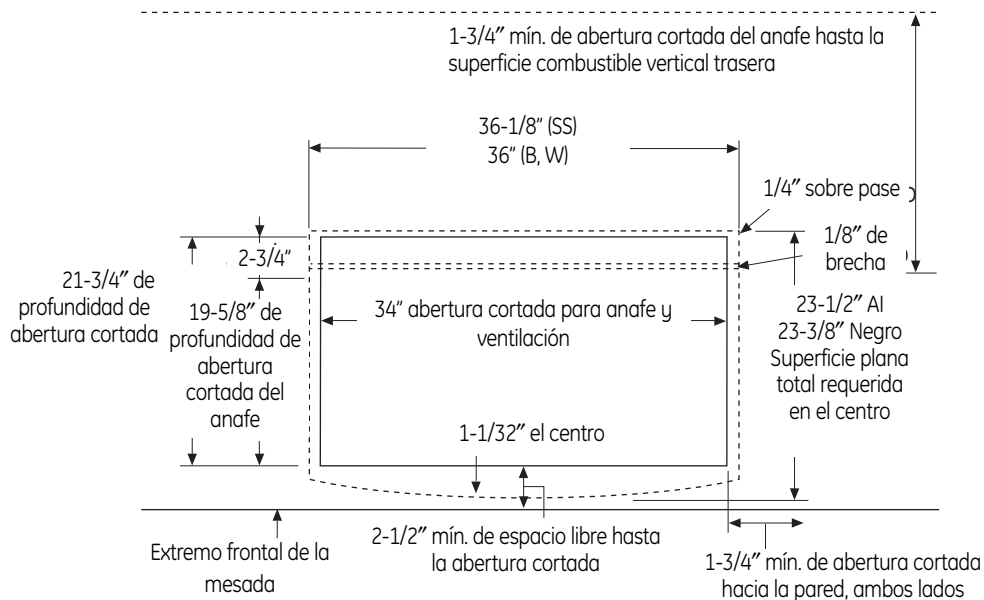
### SÓLO PARA LA INSTALACIÓN DE COMBINACIÓN DE ANAFE DE INDUCCIÓN MONOGRAM Y VENTILACIÓN DE CORRIENTE DESCENDENTE MONOGRAM.

La instalación de la ventilación de corriente descendente con este anafe requiere una cuidadosa consideración. El anafe y la ventilación deben instalarse de acuerdo con las instrucciones de instalación específicas de cada producto.

### REQUERIMIENTOS DEL ANAFE

La mesada debe contar con una superficie plana y profunda para que entren el anafe y la ventilación. Las mesadas con un extremo frontal enrollado y salpicadero no ofrecerán la superficie plana requerida.

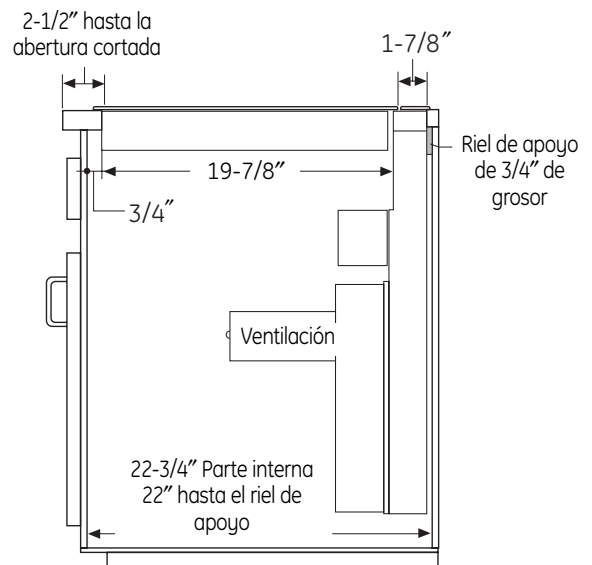
- Vuelva a ver la ilustración para determinar los requerimientos de la superficie de la mesada.
  - Deben observarse todos los espacios libre de aberturas cortadas para esta instalación.



### REQUERIMIENTOS DE GABINETE DE BASE

La instalación combinada entra en un gabinete de base de 24" de profundidad. Utilice un gabinete de base de 30" o más.

- La carcasa de la ventilación, el ventilador y los conductos ocuparán el gabinete de base.



# Instrucciones de instalación

## OPCIONES DE INSTALACIÓN

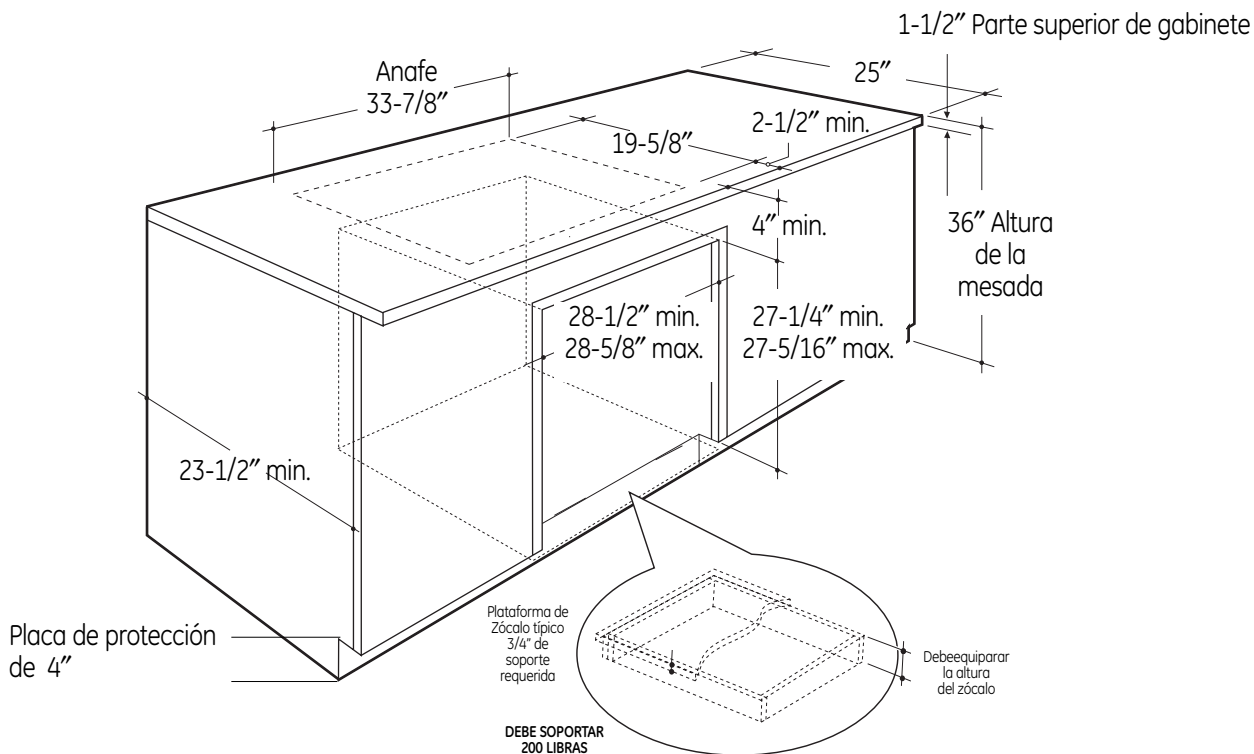
### INSTALACIÓN DEL ANAFE SOBRE UN HORNO GE O UN HORNO ÚNICO GE MONOGRAM

Estos anafes pueden instalarse sobre un horno único. El anafe y el horno deben instalarse de acuerdo con las instrucciones de instalación específicas de cada producto.

- Deje un espacio libre de 4" como mínimo desde la parte superior de la mesada hasta la parte superior de la abertura cortada del horno.

### SUMINISTRO DE ENERGÍA

El horno requiere un suministro de energía individual con adecuada conexión a tierra de 20 amperios, tres hilos 208 o 240 voltios, y 60 hercios. El anafe requiere un suministro de energía individual de 40 amperios, tres hilos, 208 o 240 voltios y 60 hercios.



Utilice un gabinete de base de 36" de ancho o más.

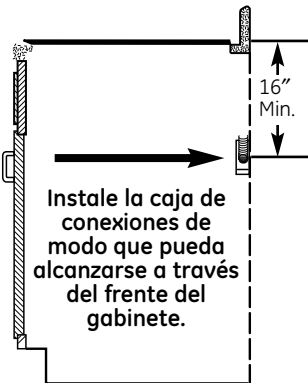
- Para una mejor apariencia, el anafe debe estar centrado sobre el horno.
- El deflector del lado inferior del anafe no es necesario para esta instalación de combinación. Si el deflector se encuentra unido, quítelo.
- Este anafe sólo es aprobado para ser instalado sobre los modelos específicos listó en la etiqueta de esta unidad.

## CONEXIONES ELÉCTRICAS

### CONEXIÓN DE CONSTRUCCIÓN NUEVA Y DE CIRCUITO DERIVADO

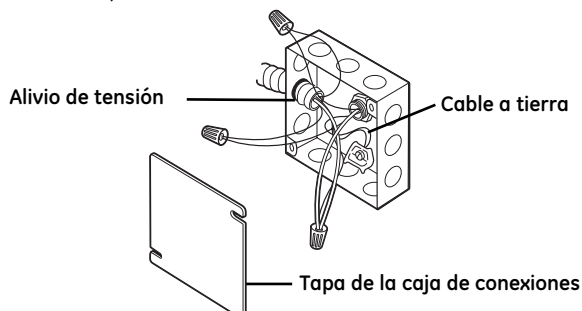
**⚠ ADVERTENCIA:** Una conexión inadecuada de cableado doméstico de aluminio con cables de cobre puede generar un peligro eléctrico o un incendio. Sólo use conectores diseñados para unir cobre con aluminio y siga al pie de la letra el procedimiento recomendado del fabricante.

Cuando efectúe las conexiones de cables, utilice toda la longitud del conducto provisto. El conducto no debe acortarse (a menos que lo requieran los códigos locales). La longitud del conducto es de 4 pies. Con el anafe en su lugar, abra el frente de la puerta del gabinete.



Introduzca los cables del conducto a través de la abertura de la caja de conexiones. La abrazadera del alivio de tensión del conducto debe estar bien sujeta a la caja de conexiones y el conducto flexible debe estar bien sujeto a la abrazadera.

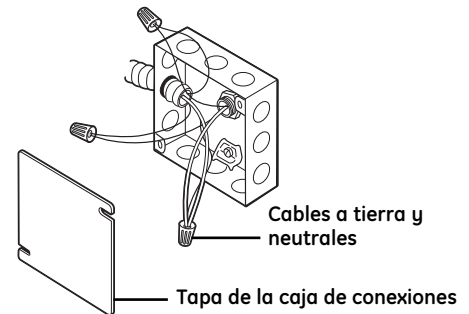
- Cuando realice una instalación en una construcción nueva, o
  - Cuando realice una instalación en una casa rodante, o
  - Cuando realice una instalación en un vehículo recreativo, o
  - Cuando los códigos locales no permiten la conexión a tierra a través de un cable neutral:
- a. Introduzca el conducto a través del alivio de tensión y ajuste.
  - b. Conecte el cable a tierra del artefacto (verde o cobre) de acuerdo con los códigos locales. Si el conductor a tierra de la residencia es de aluminio, ver ADVERTENCIA.



### CONEXIÓN DE CIRCUITO DERIVADO DE TRES CONDUCTORES

Cuando conecte un circuito derivado de tres conductores, si lo permiten los códigos locales:

- a. Conecte el cable de conductor a tierra (verde) del anafe con la conexión a tierra del circuito derivado (verde) utilizando un tapón de alambre.

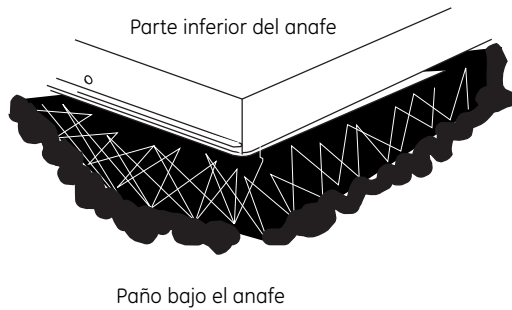


- b. Conecte el cable rojo del anafe con el cable rojo de circuito derivado de acuerdo con códigos locales, utilizando un tapón de alambre.
- c. Conecte el cable negro del anafe con el cable negro de circuito derivado de acuerdo con códigos locales, utilizando un tapón de alambre. Si los cables rojos, negros o blancos son conductores de aluminio, ver ADVERTENCIA.
- d. Instale la tapa de la caja de conexiones.

## CÓMO INSTALAR EL ANAFE

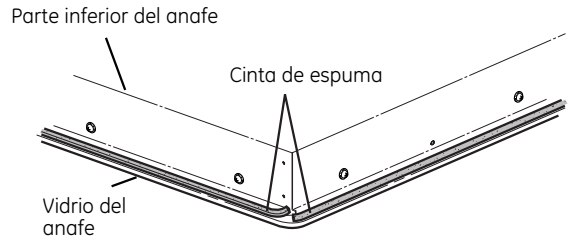
### 1 PROTEJA LA SUPERFICIE DEL ANAFE

Coloque una toalla o mantel sobre la mesada. Deposite el anafe dado vuelta sobre la superficie protegida.



### 3 COLOQUE CINTA DE ESPUMA

Aplique la cinta de espuma alrededor de los extremos exteriores del vidrio. **No superponga la cinta de espuma.**

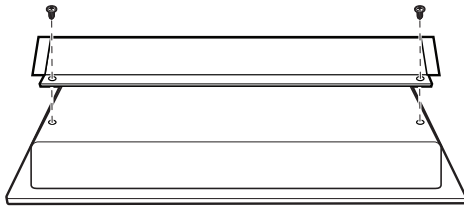


**NOTA:** En modelos de acero inoxidable, aplique cinta de espuma sobre los lados y parte trasera.

### 2 INSTALE EL DEFLECTOR

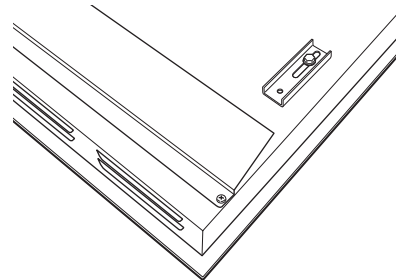
Sujete el deflector al anafe con los tornillos.

**NOTA:** No instale el deflector cuando el anafe está instalado sobre un horno único.



### 4 INSTALE SOPORTES DE SUJECIÓN

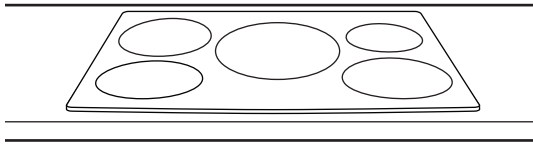
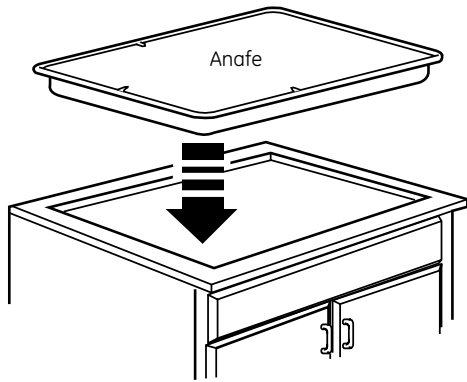
Comience a instalar un tornillo a través del soporte y dentro del anafe. (Ambos lados). No ajuste. Gire el soporte hacia adentro para evitar interferencia cuando descienda el anafe sobre la mesada.



# Instrucciones de instalación

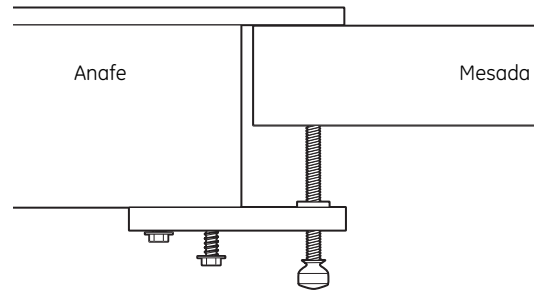
## 5 INTRODUCZA EL ANAFE EN LA ABERTURA

Coloque el anafe centrado dentro de la abertura cortada. Asegúrese de que el extremo frontal de la mesada esté paralelo al anafe. Haga el control final de cumplimiento con todos los espacios libres requeridos.



## 6 CONECTE LOS SOPORTES DE SUJECIÓN AL GABINETE

Abra la puerta del gabinete. Instale el segundo tornillo a través del soporte y ajuste. Luego ajuste el primer tornillo. Instale el tornillo de mariposa hasta que toque la parte inferior de la mesada.



**IMPORTANTE:** Gire el tornillo de mariposa hasta que toque la parte inferior de la mesada. No ajuste de más.

## LISTAS DE CONTROL

### 1 LISTA DE CONTROL PREVIA A LA PRUEBA

- A** Quite toda la película protectora, si la hubiera, y todos los autoadhesivos.
- B** Verifique que todo el cableado esté seguro y que no haya sufrido pellizcos o esté en contacto con partes en movimiento.
- C** Controle el nivel del artefacto.
- D** Constate que el anafe tenga una conexión a tierra adecuada.

### 2 LISTA DE CONTROL DE FUNCIONAMIENTO

- A** Quite todos los elementos de la superficie del anafe.
- B** Conecte la energía del anafe. (Consulte el Manual de Propietario). Verifique que todos los quemadores funcionen correctamente.
- C** Controle que el disyuntor no se haya accionado y que el fusible no haya saltado.
- D** Verifique que el conducto esté bien sujeto a la caja de conexiones.
- E** Ver el Manual de Propietario para la lista de detección de problemas.

#### NOTA AL ELECTRICISTA:

Los cables de energía suministrados con este artefacto están reconocidos por UL para conexiones con cableados domésticos de calibre mayores. La aislación de estos cables está clasificada a temperaturas mucho más elevadas que la clasificación del cableado doméstico. La capacidad de transmitir corriente del conductor está determinada por el calibre del cable y también la clasificación de temperatura de la aislación alrededor del cable.

#### NOTA: CABLEADO DE ALUMINIO

- **ADVERTENCIA:**  
UNA CONEXIÓN INADECUADA DEL CABLEADO DOMÉSTICO DE ALUMINIO CON CABLES DE COBRE PUEDE PROVOCAR UN GRAVE PROBLEMA.
- Empalme cables de cobre con el cableado de aluminio utilizando conectores especiales diseñados y aprobados por UL para unir cobre con aluminio y siga al pie de la letra el procedimiento de conexión recomendado por el fabricante.

NOTA: El cable utilizado, la ubicación y recinto de los empalmes, etc., deben cumplir con una buena práctica de cableado y con los códigos locales.

# Instrucciones de instalación

---

## NOTAS

# Instrucciones de instalación

---

## NOTAS



## Free Manuals Download Website

<http://myh66.com>

<http://usermanuals.us>

<http://www.somanuals.com>

<http://www.4manuals.cc>

<http://www.manual-lib.com>

<http://www.404manual.com>

<http://www.luxmanual.com>

<http://aubethermostatmanual.com>

Golf course search by state

<http://golfingnear.com>

Email search by domain

<http://emailbydomain.com>

Auto manuals search

<http://auto.somanuals.com>

TV manuals search

<http://tv.somanuals.com>