

# Installation Instructions Instructions d'installation

## 30" Stainless Steel Gas Cooktops

Natural Gas Model:  
ZGU384N

LP Gas Model:  
ZGU384L

## Surfaces de cuisson au gaz de acier inoxydable de 30 po (76 cm)

Modèle à gaz naturel :  
ZGU384N

Modèle à gaz PL :  
ZGU384L

La section française commence  
à la page 19.

### Questions?

Call 800.GE.CARES  
or Visit our Website at:  
[www.monogram.com](http://www.monogram.com)

Appelez le Centre de réponse 1.800.561.3344  
ou visitez notre site Web à l'adresse :  
[www.electromenagersge.ca](http://www.electromenagersge.ca)

31-10635-2

08-07 JR



# Safety Information

## BEFORE YOU BEGIN

Read these instructions completely and carefully.


- **IMPORTANT** – Save these instructions for local inspector's use.
- **IMPORTANT** – Observe all governing codes and ordinances.
- **Note to Installer** – Be sure to leave these instructions with the Consumer.
- **Note to Consumer** – Keep these instructions for future reference.
- Product failure due to improper installation is not covered under the Warranty.

**⚠ WARNING** – This appliance must be properly grounded.

- **IMPORTANT** – Leak testing of the appliance shall be conducted according to the manufacturer's instructions.
- **Proper installation is the responsibility of the installer and product failure due to improper installation is NOT covered under warranty.**

## FOR YOUR SAFETY:

**⚠ WARNING** – If the information in this manual is not followed exactly, a fire, explosion or gas leak may result, causing property damage, personal injury or death.

 Do not store or use gasoline or other flammable vapors and liquids in the vicinity of this or any other appliance!



## WHAT TO DO IF YOU SMELL GAS:

- Do not try to light any appliance. Do not touch any electrical switch; do not use any phone in your building.
- Immediately call your gas supplier from a neighbor's phone. Follow the gas supplier's instructions.
- If you cannot reach your gas supplier, call the fire department.

Installation and service must be performed by a qualified installer, service agency or the gas supplier.

**⚠ WARNING** – Disconnect all electrical power at the main circuit breaker or fuse box before installing.

This cooktop has been design certified by Underwriters Laboratories. You'll find safety precautions in your Owner's Manual. Read them carefully.

- Installation of this cooktop must conform with local codes or, in the absence of local codes, with the National Fuel Gas Code, ANSI Z223.1/NFPA 54-Latest Edition.
- Be sure your cooktop is installed properly by a qualified installer or service technician.
- To eliminate reaching over surface burners, cabinet storage above burner should be avoided.
- Do not install the unit near an outside door or where a draft may affect its use.

## IN THE COMMONWEALTH OF MASSACHUSETTS:

- **This product must be installed by a licensed plumber or gas fitter.**
- **When using ball-type gas shut-off valves, they shall be the T-handle type.**
- **A flexible gas connector, when used, must not exceed 3 feet.**

Be sure the installation of this product in a mobile home conforms with the Manufactured Home Construction and Safety Standard, Title 24 CFR, Part 3280. If this standard does not apply, you must follow the standard for Manufactured Home Installations, ANSI A225.1 and Manufactured Home Installations, Sites and Communities, ANSI/NFPA 501A or with local codes. You can get a copy of the Federal Standard by Writing:

Office of Mobile Home Standards  
HUD Building  
451 7th Street, S.W.  
Washington, D.C. 24010

# Safety Information

## ELECTRICAL REQUIREMENTS

This appliance must be supplied with the proper voltage and frequency and connected to an individual, properly grounded branch circuit, protected by a circuit breaker or fuse having amperage as noted on the rating plate.

We recommend you have the electrical wiring and hookup of your cooktop connected by a qualified electrician. After installation, have the electrician show you where your main cooktop disconnect is located.

Check with your local utilities for electrical codes which apply in your area. Failure to wire your cooktop according to governing codes could

result in a hazardous condition. If there are no codes, your cooktop must be wired and fused to meet the requirements of the National Electrical Code, ANSI/NFPA No. 70—Latest Edition. You can get a copy by writing:

National Fire Protection Association  
Batterymarch Park  
Quincy, MA 02269

In Canada, your cooktop must be wired and fused to meet the requirements of the Canadian Electrical Code.

## CONTENTS

### Installation Preparation

Models Available .....	4
Parts Included .....	4
Materials You May Need .....	4
Tools You Will Need .....	4
Advance Planning and Installation Options .....	5
Pre-Installation Checklist .....	6
Dimensions and Clearances .....	7
Gas Supply Locations .....	8

### Installation Instructions

Step-by-Step Instructions .....	9-11
Operation Checklist .....	11

### Installation Options

Installation With a Downdraft Vent .....	12
Installation Over a Warming Drawer ....	13
Installation Over a Single Oven .....	14

### Installation Instructions for Natural to LP Gas Conversion

Tools You Will Need .....	15
Adjusting the Regulator .....	15
Changing the Orifices .....	15, 16
Adjusting Burner Flames .....	16

### Installation Instructions for LP to Natural Gas Conversion

Tools You Will Need .....	17
Adjusting the Regulator .....	17
Changing the Orifices .....	17, 18
Adjusting Burner Flames .....	18

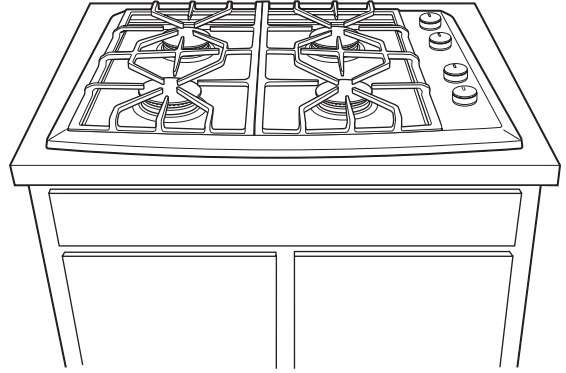
# Installation Preparation

## MODELS AVAILABLE

ZGU384N  
30" natural gas cooktop

ZGU384L  
30" LP gas cooktop

These models are factory set for either natural gas or LP gas operation. Be sure to order the correct model for the installation situation.



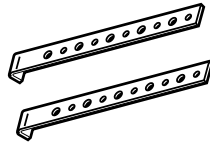
## PARTS INCLUDED



2 Screws



Regulator

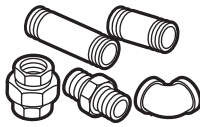


2 Hold Down Brackets

## MATERIALS YOU MAY NEED



Joint Sealant



Pipe Fittings



Shut Off Valve



CSA-Approved Flexible Gas Line  
1/2" Min. ID, 1/2" NPT Connection,  
3-foot Maximum Length (Massachusetts Only)

NOTE: Purchase new line, do not use previously used flexible gas line.

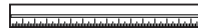
## TOOLS YOU WILL NEED FOR INSTALLATION



Pencil



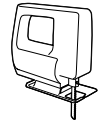
Phillips Head Screwdriver



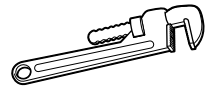
Ruler or Straightedge



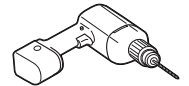
Safety Glasses



Saber Saw



Pipe Wrench



1/8" Drill Bit & Electric or Hand Drill

# Installation Preparation

## ADVANCE PLANNING

- Refer to "Installation Preparation" for information on appropriate placement and necessary clearances when planning installation.
- Avoid placing cabinetry directly above cooktop when possible.
- If cabinetry is used above cooking surface:
  - Use cabinets no more than 13" deep.
  - Maintain 30" minimum clearance between cooktop and unprotected cabinets directly above cooktop.
  - If clearance is less than 30", protect cabinet bottoms with flame-retardant millboard at least 1/4" thick, or gypsum board at least 3/16" thick, covered with 28 gauge sheet steel or .02" thick copper.
  - Clearance between cooktop and protected cabinetry must not be less than 24".
  - An exhaust hood that projects at least 5" beyond front of cabinets can reduce risk of burns caused by reaching over heated surface units.
  - Working areas adjacent to the cooktop should have 18" minimum clearance between countertop and cabinet bottom.
- A 30" or wider exhaust hood with 350 CFM or greater airflow rating is recommended for use over this Monogram cooktop.
- Installation must conform with local codes. In the absence of local codes, the gas cooktop must comply with the National Fuel Gas Code, ANSI Z223.1, latest edition.
- Gas supply should be located near the opening for this cooktop (see Preparing the Opening and Gas Connection sections of this manual). The supply should provide natural gas at 7" of water column pressure (11" of water column for LP gas) and a maximum of 14" of water column for natural or LP gas.
- The electric spark ignition feature for this model requires a 120V electrical power supply be located in the immediate vicinity of this cooktop (see Electrical Connections section of this manual).

### WB28T10185 High Altitude Kit

For operation above 5,000 feet, order WB28T10185 Conversion Kit. This kit includes orifices for both LP and Natural gas operation.

## INSTALLATION OPTIONS

### Cooktop and ZVB30 Downdraft Vent Combination Installation

These cooktops may be installed with a 30" Monogram Downdraft Vent, model ZVB30. See page 12 for cutout and clearances.

- The countertop must have a deep flat surface to accommodate the combined installation of the cooktop and vent.
- The downdraft vent with blower, motor and ductwork will occupy the base cabinet.
- Consideration must be given to electrical and gas supply locations. See page 8.

### Cooktop and ZTD910 or ZKD910 Warming Drawer Combination Installation

These cooktops may be installed over a Monogram 30" or 27" Warming Drawer, model ZTD910 or ZKD910. See page 13 for cutout and clearances.

- Consideration must be given to electrical and gas supply locations. See page 8.

### Cooktop and ZET1, ZEK938 or ZET938 Single Oven Combination Installation

These cooktops may be installed over a Monogram 27" or 30" Oven, model ZET1, ZEK938 or ZET938. See page 14 for cutout and clearances.

- Consideration must be given to electrical and gas supply locations. See page 8.

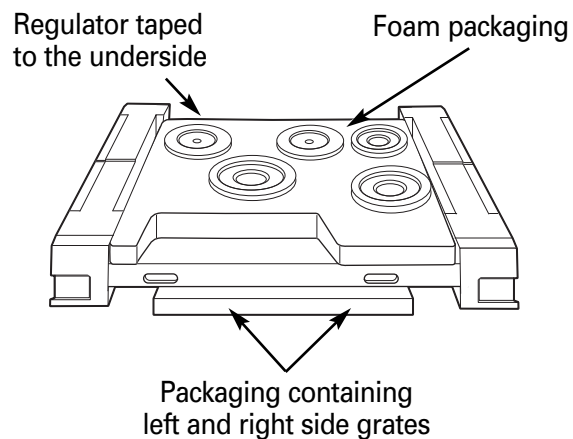
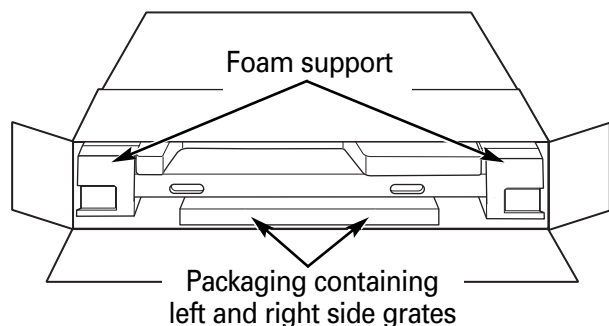
### Installation Above Cabinet Drawers

- When installing the cooktop above a base cabinet with drawers, it may be necessary to use a shorter depth (front to back) drawer to allow clearance for the gas connection.

# Installation Preparation

## PRE-INSTALLATION CHECKLIST

1. When preparing cooktop opening, make sure the inside of the cabinet and the cooktop do not interfere with each other. (See section on preparing the opening.)
2. Slide the cooktop out of the end of the box. Remove packaging materials, grate boxes, regulator and literature package from the cooktop before beginning installation.
  - Use the shipping carton as a pad to protect customer countertops or flooring.



3. Remove Installation Instructions from literature package and read them carefully before you begin.

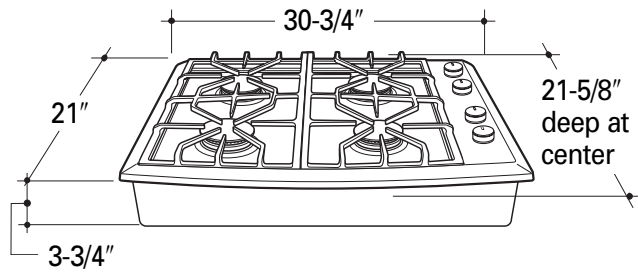
Be sure to place all literature, Owner's Manual, Installations, etc. in a safe place for future reference.

4. Make sure you have all the tools and materials you need before starting the installation of the cooktop.
5. Your home must provide the adequate electrical service needed to safely and properly use your cooktop. (Refer to section on electrical requirements.)
6. When installing your cooktop in your home, make sure all local codes and ordinances are followed exactly as stated.
7. Make sure the wall coverings, countertop and cabinets around the cooktop can withstand heat (up to 200°F) generated by the cooktop.

# Installation Preparation

## DIMENSIONS AND CLEARANCES

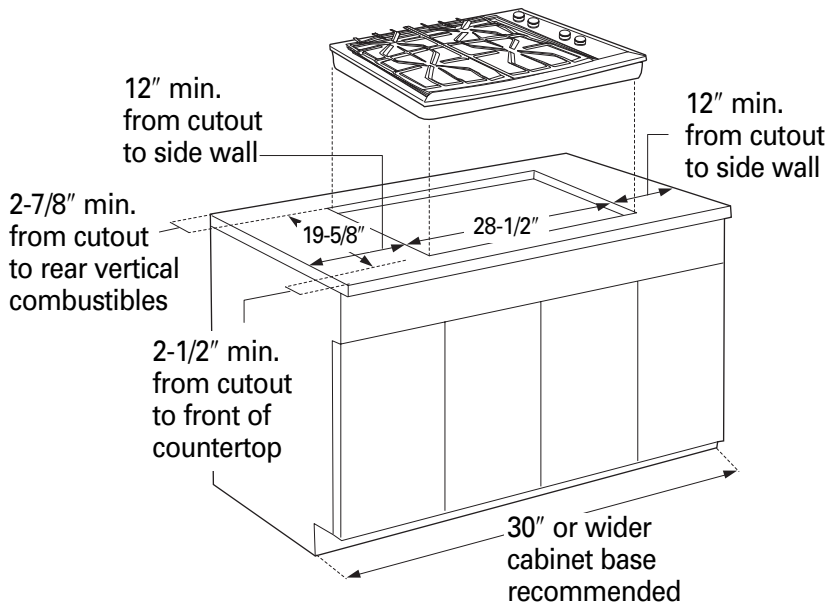
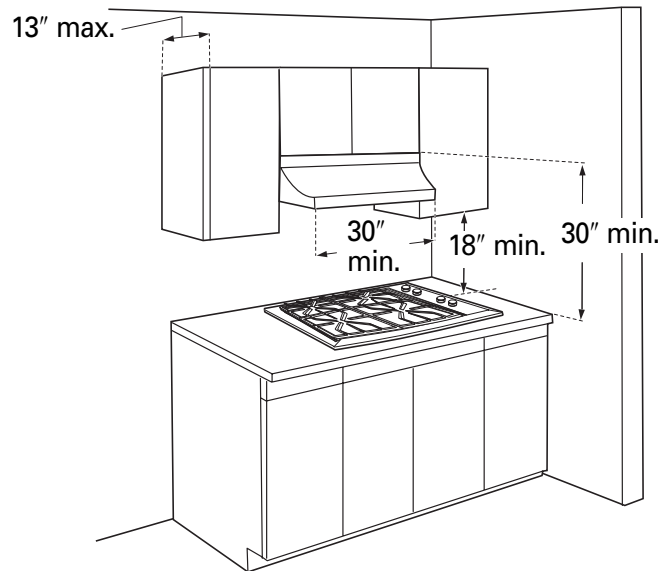
1. Overall cooktop dimensions:



2. Use a 30" or wider base cabinet.

- Cut the opening in the countertop. To ensure accuracy, it is best to make a template for the opening. Make sure the sides of the opening are parallel and the rear and front cuts are exactly perpendicular to the sides.
- Observe all minimum clearances.

3. Make sure the wall coverings, countertop and cabinets around the cooktop can withstand heat (up to 200°F) generated by the cooktop.



# Installation Preparation

## POWER SUPPLY LOCATIONS

### Gas supply:

These cooktops are shipped from the factory set for either natural gas or LP gas. Check to be sure you have the correct cooktop for the type of gas being used.

- The pressure regulator must be connected in series with the manifold of the cooktop and must remain in series with the supply line regardless of type of gas being used.
- The natural gas model is designed to operate at 5" water column pressure. A regulator is required at the natural gas source to provide a minimum of 6" water column to the cooktop regulator.
- The liquid propane model is designed to operate at 10" water column pressure. A regulator is required at the LP source to provide a minimum of 11" water column to the cooktop regulator.
- Maximum inlet pressure for the regulator supplied with the cooktop is 14" water column regardless of the gas being used.

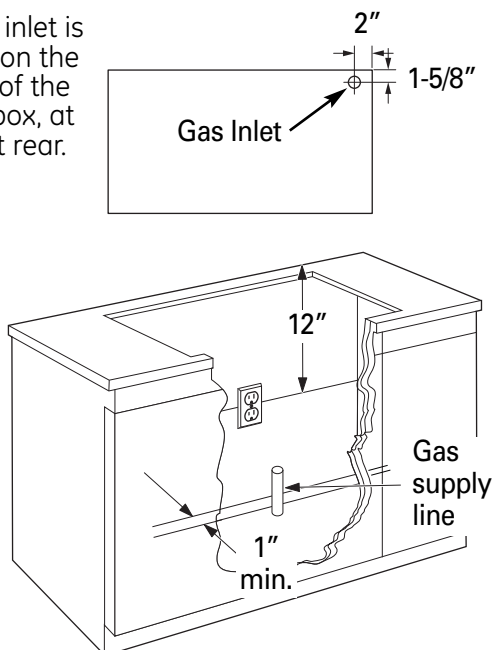
For ease of installation, and if local codes permit, the gas supply line into the cooktop should be 1/2" or 3/4" ID flexible metal appliance connector, three to five feet long.

**NOTE: Purchase new flexible line. DO NOT USE OLD, PREVIOUSLY USED FLEXIBLE LINE.**

- Make gas connection through rear wall, or on cabinet floor at rear, as illustrated.
1. Install the house gas supply at least 1" from the back wall.
  2. Locate the electrical outlet 12" below the countertop.

### Rear-Burner Box

The gas inlet is located on the bottom of the burner box, at the right rear.



Install a manual shut-off valve in the gas line in an easily accessible location outside the cooktop. Be sure you know how and where to shut off the gas supply to the cooktop. Install the electrical outlet 12" below the countertop.

### Electrical supply:

This cooktop features pilotless electric ignition for energy savings and reliability. It operates on a 120 volt, 60 Hz power supply. A separate circuit, protected by a 15 amp time delay fuse or circuit breaker, is required.

### Optional Combination Installations

This cooktop may be installed in combination with a ZVB30 Monogram Downdraft Vent, a ZET1, ZEK938 or ZET938 Single Oven or a ZTD910 or ZKD910 Warming Drawer.

- The gas and electrical supply must be located where it will not interfere with vent housing, the oven or the warming drawer. Review pages 12 to 14 for additional installation requirements.
  - A properly-grounded 3-prong receptacle should be located within reach of the cooktop's four-foot power cord.
- IMPORTANT: (Please read carefully). FOR PERSONAL SAFETY, THIS APPLIANCE MUST BE PROPERLY GROUNDED.**
- The power cord of this appliance is equipped with a three-prong (grounding) plug which mates with a standard three-prong grounding wall receptacle to minimize the possibility of electric shock hazard from this appliance.

- The customer should have the wall receptacle and circuit checked by a qualified electrician to make sure the receptacle is properly grounded and has correct polarity.
- Where a standard two-prong wall receptacle is encountered, it is the personal responsibility and obligation of the customer to have it replaced with a properly grounded three-prong wall receptacle.

**Do Not, Under Any Circumstances, Cut Or Remove The Third (Ground) Prong From The Power Cord.**

Do not use an extension cord.

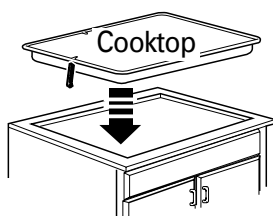


# Installation Instructions

## 1 INSTALL THE COOKTOP

- A. Remove the screws on the sides of the cooktop burner box. Use those screws to attach the side mounting brackets.
- B. Insert the cooktop centered into the cutout opening. Make sure the front edge of the countertop is parallel to the cooktop.

Check clearances at the front, back and sides.



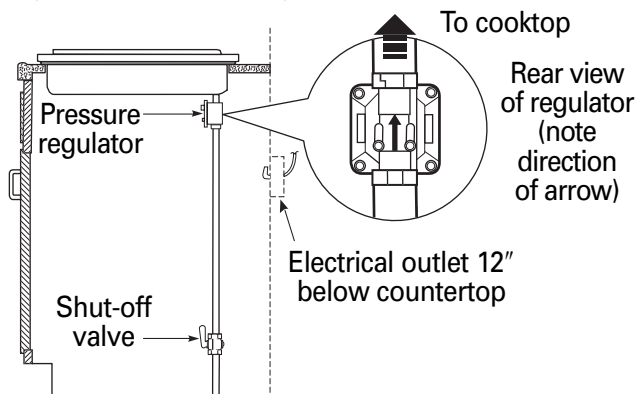
Secure the hold-down bracket to the cabinet sides with screws.

## 2 INSTALL PRESSURE REGULATOR

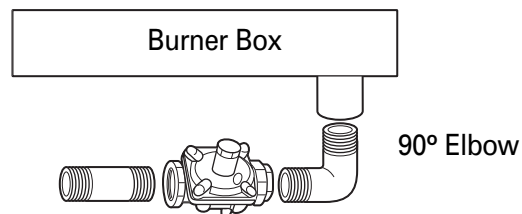
**⚠ WARNING:** Never reuse old flexible connectors. The use of old flexible connectors can cause gas leaks and personal injury. Always use new flexible connectors when installing a gas appliance.

To reduce the possibility of gas leaks, apply teflon tape or a thread compound approved for use with LP or Natural gases to all threaded connections.

- A. Screw the regulator onto the burner box bottom pipe connection. Make sure the top of the regulator is facing toward the cabinet front, and the arrow on the back of the regulator points to the cooktop.



## 2 INSTALL PRESSURE REGULATOR (cont.)



**OPTION:** You can install a 90° elbow (not supplied) onto the gas inlet and route the gas connections to avoid interference when installed over an oven, with a downdraft vent, a warming drawer or other cabinetry features.

- B. Complete the connection between the regulator and the shut-off valve.
- C. Before testing for leaks, make sure all burner knobs are in the OFF position.

After connecting the cooktop to gas, check system for leaks with a manometer. If a manometer is not available, turn the gas supply on to the cooktop and use a liquid leak detector at all joints and connections to check for leaks.

Tighten all connections if necessary to prevent gas leakage in the cooktop or supply line.

**⚠ WARNING:** Do not use a flame to check for leaks.

**Disconnect the cooktop and its individual shut-off valve** from the gas supply piping system during any pressure testing of that system at test pressures greater than 1/2 psig (3.5 kPa).

**Isolate the cooktop** from the gas supply piping system by closing its individual shut-off valve during any pressure testing of the gas supply system at test pressures equal to or less than 1/2 psig (3.5 kPa).

## 3 CONNECT ELECTRICAL

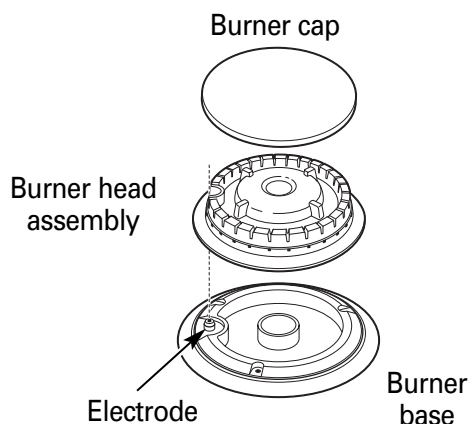
- Check to be sure the receptacle is properly grounded.
- Plug in the power cord.

# Installation Instructions

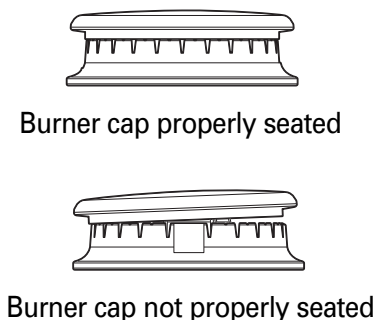
## 4 ASSEMBLE BURNERS, CHECK IGNITION

The electrode of the electronic ignition system is positioned above the surface of the burner base. Do not remove a burner cap or touch the electrode of a burner while another is turned on. Damage or electrical shock may occur.

- A. Remove tape holding burners in position. Note the position of one larger burner base, head and cap. The large and regular size pieces are not interchangeable.
- B. Place burner heads over the burner base. Make sure the hole in the burner head is properly aligned with the electrode in the burner base.



- C. Place the burner caps on the burner heads. Make sure that the burner caps are properly seated on the burner heads.



## 4 ASSEMBLE BURNERS, CHECK IGNITION (cont.)

- D. Check igniters.

Operation of the electric igniters should be tested after the cooktop and supply line have been carefully checked for leaks and the cooktop has been connected to the electrical power.

- Push and turn a burner valve to the LITE position. All spark igniters will make a series of sparks (ticking sounds), but only the burner turned to LITE will light.
  - The burner should light when gas is available to the burner.
  - Once the burner lights, it should be turned to another position.
- Test each valve separately until all burners have been checked.

**IMPORTANT:** If the igniter electrodes continue to spark after all of the burners are lit, check that each burner component is assembled and properly seated.

- E. Burner ignition.

Cooktop Spark Ignition—When you turn the cooktop knob to LITE, the spark igniter makes a series of electric sparks (ticking sounds) which light the burner. During a power failure, the burners will not light automatically. In an emergency, a cooktop burner may be lit with a match by following the steps below.

**⚠ WARNING:** Lighting gas burners with a match is dangerous. **You should match light the cooktop burners only in an emergency.**

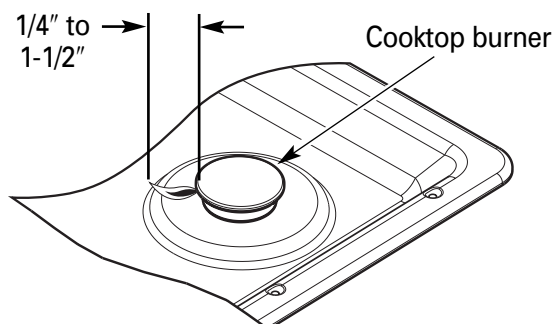
- Light a match and hold the flame near the burner you want to light. Wooden matches work best.
- Push in and turn the control knob slowly. Be sure you are turning the correct knob for the burner you are lighting.

**NOTE:** If the burner does not light within five seconds, turn the knob off and wait one minute before trying again.

# Installation Instructions

## 4 ASSEMBLE BURNERS, CHECK IGNITION (cont.)

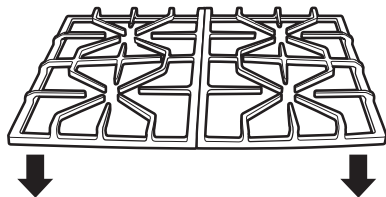
- F. Turn on each burner. **On LP models**, flames should be blue in color but may have yellow tips. **Natural gas models** should have soft, blue flames. The burner flames should not flutter or blow away from the burner. The flame should be no less than 1/4" on the lowest setting and no greater than 1-1/2" on highest setting.



**Burners should be checked frequently**

**⚠ WARNING:** If you attempt to measure the flame, please use caution. Burns could result.

- G. Place the two side grates so that a continuous "arc" is formed with the center ribs of both grates. Make sure both grates are stable and level.



## OPERATION CHECKLIST

1. Make sure all controls are left in the OFF position.
2. The serial plate for your cooktop is located on the bottom of the burner box. In addition to the model and serial numbers, it tells you the ratings of the burners and the type of fuel and pressure the cooktop was adjusted for when it left the factory.
3. When ordering parts, always include the serial number, model number and a code letter to ensure proper replacement parts.
4. Check again to be sure all installation procedures have been completed.

# Installation Options

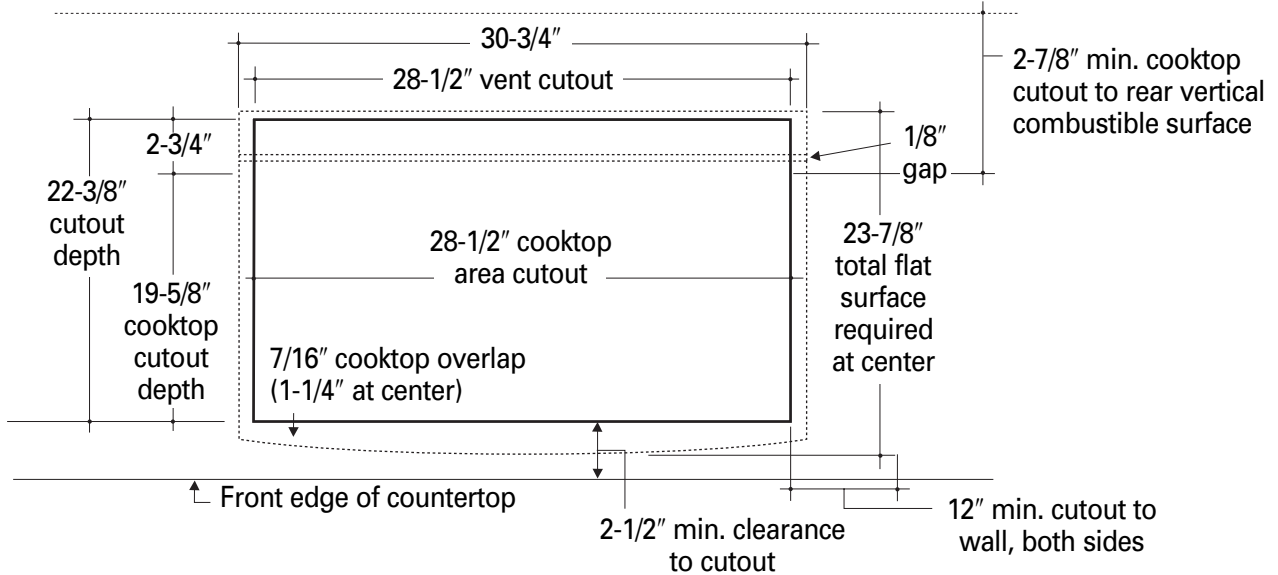
## COOKTOP INSTALLATION WITH A 30" MONOGRAM DOWNDRAFT VENT, MODEL ZVB30

The installation of the downdraft vent with this cooktop requires careful consideration. Both the cooktop and the vent must be installed according to each specific installation instruction.

## COOKTOP REQUIREMENTS

The countertop must have a deep flat surface to accommodate the cooktop and vent. Countertops with a rolled front edge and backsplash will not provide the flat surface area required.

- Review the illustration to determine the countertop surface requirements.
  - All cutout clearances for this installation must be observed.



## BASE CABINET REQUIREMENTS

The combined installation will fit in a standard 24" deep base cabinet. Use a 30" or wider base cabinet.

- The vent housing, blower and ductwork will occupy the base cabinet.

## POWER SUPPLY

If local codes permit, the vent and cooktop may operate from the same 120V, 15 amp duplex outlet. Locate the gas and electrical supply as shown on page 8.

# Installation Options

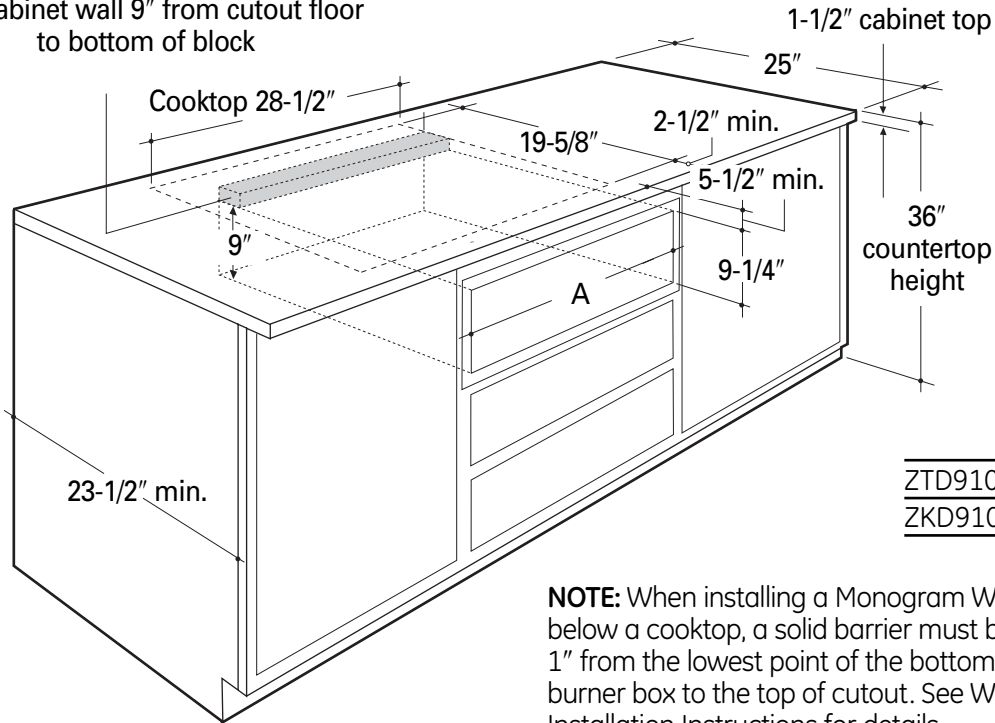
## COOKTOP INSTALLATION OVER A MONOGRAM WARMING DRAWER, MODEL ZTD910 OR ZKD910

These cooktops may be installed over a 30" or 27" Warming Drawer. Both the cooktop and the warming drawer must be installed according to each specific installation instruction.

### POWER SUPPLY:

If local codes permit, the cooktop and warming drawer may operate from the same 120V duplex outlet. Refer to installation instructions for details.

Install 2x4 or 2x2 anti-tip block against rear cabinet wall 9" from cutout floor to bottom of block



Dim. A	
ZTD910	28-1/2"
ZKD910	25-1/2"

**NOTE:** When installing a Monogram Warming Drawer below a cooktop, a solid barrier must be installed at least 1" from the lowest point of the bottom of cooktop burner box to the top of cutout. See Warming Drawer Installation Instructions for details.

Use a 30" or wider base cabinet.

- Plan gas supply location carefully to avoid interference with the warming drawer.

# Installation Options

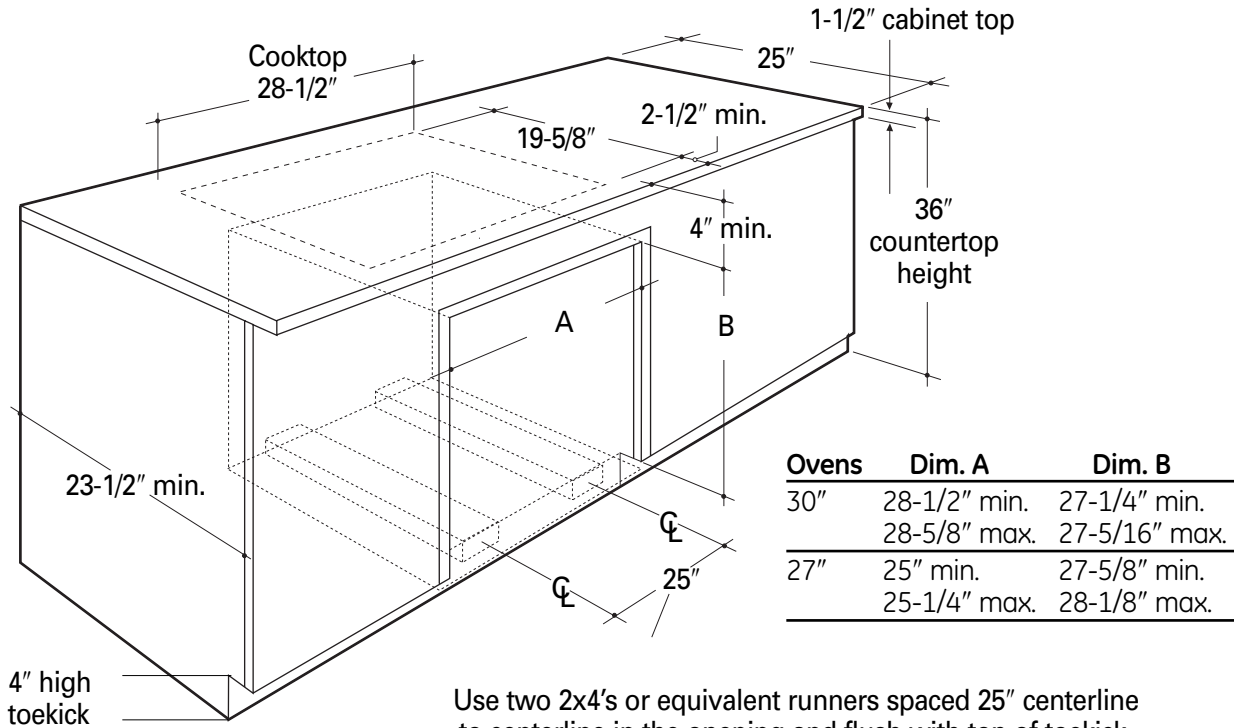
## COOKTOP INSTALLATION OVER A 27" OR 30" MONOGRAM SINGLE OVEN, MODEL ZET1, ZEK938 OR ZET938

These cooktops may be installed over the Monogram ZET1, ZEK938 or ZET938 single oven. Both the cooktop and the oven must be installed according to each specific installation instruction.

- Allow 4" Min. clearance from the top of the countertop to the top of the oven cutout.

## POWER SUPPLY

The oven requires a separate, properly grounded 20 Amp, 3-wire 208 or 240 volt, 60 Hz power supply. The cooktop requires a separate 120V power supply. See page 8. Where codes permit, the gas shut-off valve may be located in an adjacent cabinet or other easily accessible location.



Use two 2x4's or equivalent runners spaced 25" centerline to centerline in the opening and flush with top of toekick. Or elevate the oven floor to desired height. The support must be level, rigidly mounted and capable of supporting 200 lbs.

Use a 30" or wider base cabinet.

- For best appearance, the cooktop should be centered over the oven.

# Installation Instructions

## Convert Natural Gas Model ZGU384NSMSS to LP Gas Operation

### SAFETY INFORMATION

The pressure regulator and burner orifices are set for natural gas operation.

To convert this cooktop from natural gas operation to LP operation, the regulator and burner orifices must be converted. LP burner orifices are attached to the regulator.

**CAUTION** – The cooktop, as shipped from the factory, is set for use with its intended gas. If you wish to use your cooktop with the alternate gas, you must first replace the orifices and convert the pressure regulator.

**⚠ WARNING** – This conversion must be performed by a qualified installer or gas supplier in accordance with the manufacturer's instructions and all codes and requirements of the authority having jurisdiction. Failure to follow instructions could result in serious injury or property damage. The qualified agency performing this work assumes responsibility for the conversion.

**CAUTION** – The following adjustments must be made before turning on the burner. Failure to do so could result in serious injury. Be sure pressure regulator has been converted as described in Step 1.

### TOOLS YOU WILL NEED FOR CONVERSION



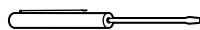
Crescent wrench



7mm nutdriver



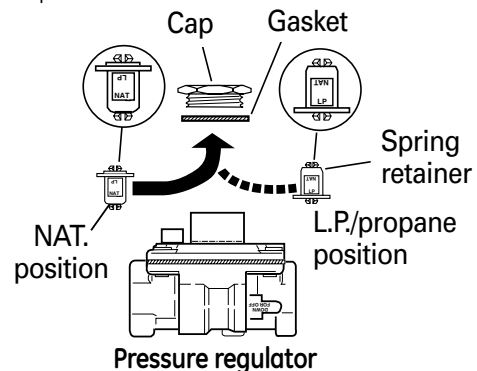
Safety glasses



Small flat-head screwdriver (2 to 2.4 mm or 3/32" tip size, 60 mm long)

### 1 ADJUST THE REGULATOR

- Disconnect all electrical power, at the main circuit breaker or fuse box.
- Shut off the gas supply to the cooktop by closing the manual shut-off valve.
- Adjust the pressure regulator by the following instructions:
  - Unscrew the cap.
  - Place your thumb against the flat side of the spring retainer and press down to remove the retainer.
  - Carefully look at the spring retainer to locate the NAT or LP position.



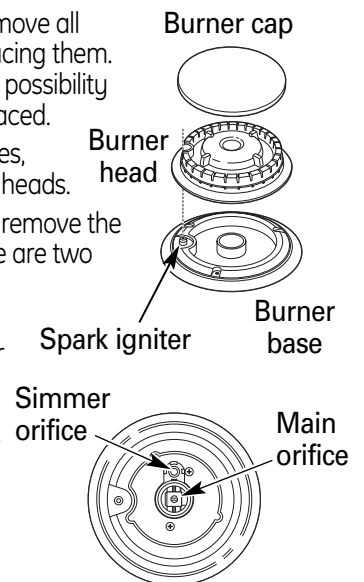
- Turn the spring retainer over so that the desired gas is showing on the bottom.
- Snap the retainer back into position.
- Screw the cap back onto the regulator.

### 2 CHANGE BURNER ORIFICES

**INSTALLATION TIP:** First remove all orifices and then start replacing them. This will help to prevent the possibility that some may not be replaced.

- Remove the burner grates, burner caps and burner heads.
- Using a 7mm nut driver, remove the top burner orifices. There are two orifices per burner.

The main orifice is located low in the center of the burner, while the simmer orifice is located higher beside the center of the burner.



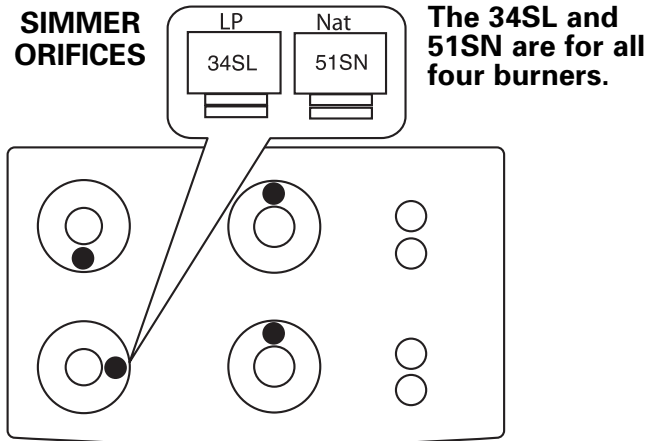


# Installation Instructions for Natural to LP Gas Conversion

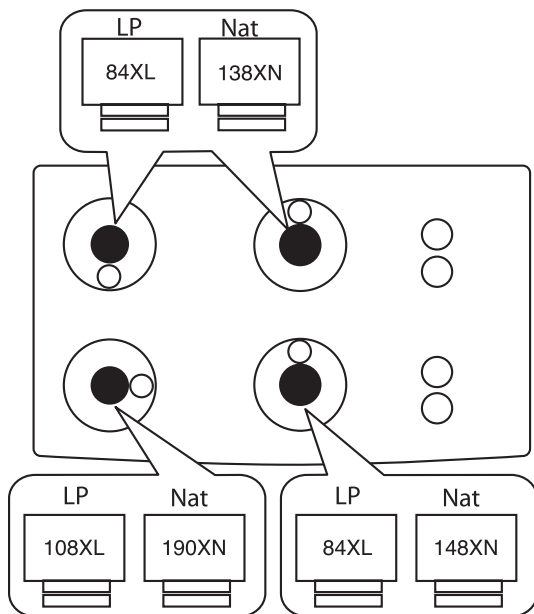
## 2 CHANGE BURNER ORIFICES (cont.)

**IMPORTANT:** Orifices must be located exactly as shown. Carefully read and observe each orifice label for correct location.

### SIMMER ORIFICES



### MAIN ORIFICES



- Install the proper orifices in the exact locations as noted in the illustrations above.
- Return the natural gas orifices to the bracket and reattach the bracket and the instruction sheet to the pressure regulator using the screw removed previously.
- Replace the burner bases, heads, caps and top grates.

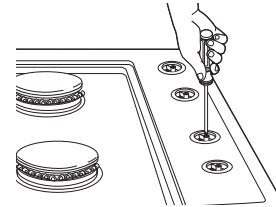
## 3 ADJUST BURNER FLAMES

- Turn all burners on highest setting and check the flames. They should be blue in color and may have some yellow tipping at the ends of the flame when using LP gas. Foreign particles in the gas line may cause an orange flame at first, but this will soon disappear.
- Turn the cooktop burner knob to "LO" while observing the flame.

**Adjust the setting of the upper row of flames using the valve bypass screw as follows:**

Adjustments must be made with two other burners in operation on a medium setting. This prevents the upper row of flames from being set too low, resulting in the flame being extinguished when other burners are turned on.

- To adjust the flame, remove the knobs. Insert a screwdriver through the access hole in valve shaft as shown.



- If the flames were too small or fluttered, open the valve more than the original setting.
  - If the flames blew away from the burner, close the valve more than the original setting.
- Make the adjustment by slowly turning the screw until flame appearance is correct.
  - Testing Flame Stability:**
    - Test 1** - Turn the knob from "HI" to "LO" quickly. If the upper row of flames goes out at this setting, increase the flame size and test again.
    - Test 2** - With the burner on "LO", open and close the cabinet door under the cooktop. If the flame is extinguished by the air currents created by the door movement, increase the flame height and test again.
- NOTE:** When the burner is on the "SIM" setting, the upper row of flames will go out.

### F. Flame Recheck:

After the adjustment is made, turn all burners off. Ignite each burner individually. Observe the flame at the "HI" position. Rotate the knob to the lowest setting and be sure that the flame size decreases as the knob is rotated counterclockwise.

**Once the conversion is complete and checked ok, fill out the conversion sticker and include your name, organization and date conversion was made. Apply the sticker near the cooktop gas inlet opening to alert others in the future that this appliance has been converted. If converting back to the original gas, please remove the sticker so others know the appliance is set to use its original gas.**



# Installation Instructions

## Convert LP Gas Model ZGU384LSMSS to Natural Gas Operation

### SAFETY INFORMATION

The pressure regulator and burner orifices are set for Liquid Propane (LP) gas operation.

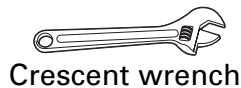
To convert this cooktop from LP gas operation to natural gas operation, the regulator and burner orifices must be converted. Natural gas burner orifices are attached to the regulator.

**CAUTION** – The cooktop, as shipped from the factory, is set for use with its intended gas. If you wish to use your cooktop with the alternate gas, you must first replace the orifices and convert the pressure regulator.

**⚠ WARNING** – This conversion must be performed by a qualified installer or gas supplier in accordance with the manufacturer's instructions and all codes and requirements of the authority having jurisdiction. Failure to follow instructions could result in serious injury or property damage. The qualified agency performing this work assumes responsibility for the conversion.

**CAUTION** – The following adjustments must be made before turning on the burner. Failure to do so could result in serious injury. Be sure pressure regulator has been converted as described in Step 1.

### TOOLS YOU WILL NEED FOR CONVERSION



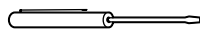
Crescent wrench



7mm nutdriver



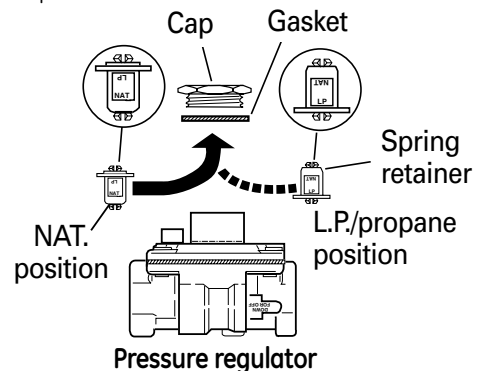
Safety glasses



Small flat-head screwdriver  
(2 to 2.4 mm or 3/32" tip size, 60 mm long)

### 1 ADJUST THE REGULATOR

- Disconnect all electrical power, at the main circuit breaker or fuse box.
- Shut off the gas supply to the cooktop by closing the manual shut-off valve.
- Adjust the pressure regulator by the following instructions:
  - Unscrew the cap.
  - Place your thumb against the flat side of the spring retainer and press down to remove the retainer.
  - Carefully look at the spring retainer to locate the NAT or LP position.



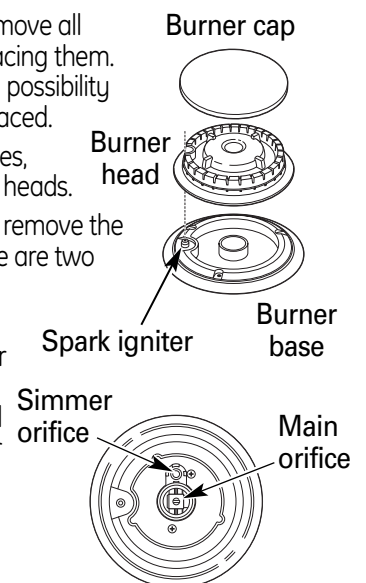
- Turn the spring retainer over so that the desired gas is showing on the bottom.
- Snap the retainer back into position.
- Screw the cap back onto the regulator.

### 2 CHANGE BURNER ORIFICES

**INSTALLATION TIP:** First remove all orifices and then start replacing them. This will help to prevent the possibility that some may not be replaced.

- Remove the burner grates, burner caps and burner heads.
- Using a 7mm nut driver, remove the top burner orifices. There are two orifices per burner.

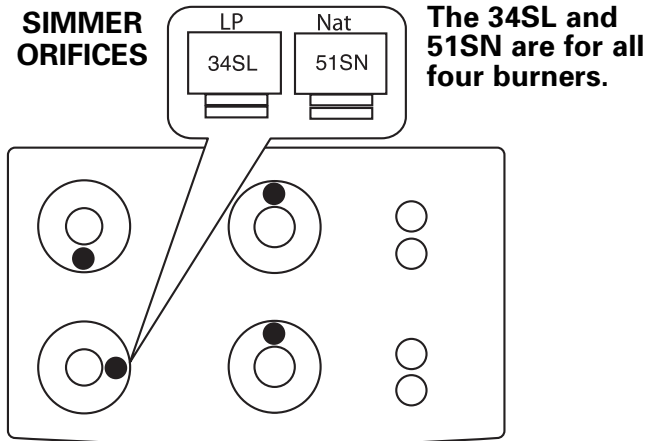
The main orifice is located low in the center of the burner, while the simmer orifice is located higher beside the center of the burner.



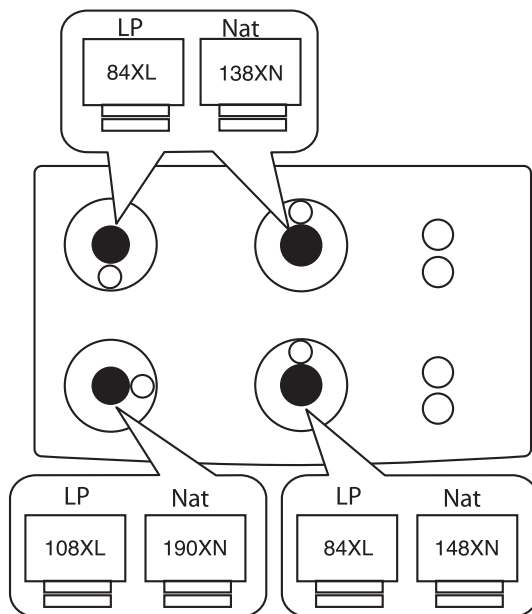
# Installation Instructions for LP to Natural Gas Conversion

## 2 CHANGE BURNER ORIFICES (cont.)

**IMPORTANT:** Orifices must be located exactly as shown. Carefully read and observe each orifice label for correct location.



### MAIN ORIFICES



- Install the proper orifices in the exact locations as noted in the illustrations above.
- Return the LP gas orifices to the bracket and reattach the bracket and the instruction sheet to the pressure regulator using the screw removed previously.
- Replace the burner bases, heads, caps and top grates.

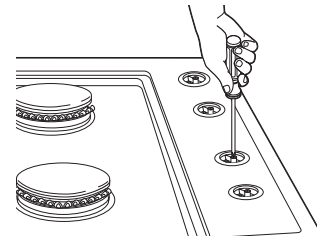
## 3 ADJUST BURNER FLAMES

- Turn all burners on highest setting and check the flames. They should be blue (no yellow tipping) when using natural gas. Foreign particles in the gas line may cause an orange flame at first, but this will soon disappear.
- Turn the cooktop burner knob to "LO" while observing the flame.

**Adjust the setting of the upper row of flames using the valve bypass screw as follows:**

Adjustments must be made with two other burners in operation on a medium setting. This prevents the upper row of flames from being set too low, resulting in the flame being extinguished when other burners are turned on.

- To adjust the flame, remove the knobs. Insert a screwdriver through the access hole in valve shaft as shown.



- If the flames were too small or fluttered, open the valve more than the original setting.
  - If the flames blew away from the burner, close the valve more than the original setting.
- Make the adjustment by slowly turning the screw until flame appearance is correct.
  - Testing Flame Stability:**
    - Test 1** - Turn the knob from "HI" to "LO" quickly. If the upper row of flames goes out at this setting, increase the flame size and test again.
    - Test 2** - With the burner on "LO", open and close the cabinet door under the cooktop. If the flame is extinguished by the air currents created by the door movement, increase the flame height and test again.
- NOTE:** When the burner is on the "SIM" setting, the upper row of flames will go out.

### F. Flame Recheck:

After the adjustment is made, turn all burners off. Ignite each burner individually. Observe the flame at the "HI" position. Rotate the knob to the lowest setting and be sure that the flame size decreases as the knob is rotated counterclockwise.

**Once the conversion is complete and checked ok, fill out the conversion sticker and include your name, organization and date conversion was made. Apply the sticker near the cooktop gas inlet opening to alert others in the future that this appliance has been converted. If converting back to the original gas, please remove the sticker so others know the appliance is set to use its original gas.**

# La section Française

## Information de la sécurité

### AVANT DE COMMENCER

Avant de commencer, lisez attentivement la totalité de ces instructions.

- **IMPORTANT** – Conservez ces instructions pour votre inspecteur local.
- **IMPORTANT** – Respectez toutes les ordonnances et les codes locaux.
- **Note à l'installateur** – Assurez-vous de laisser ces instructions au consommateur.
- **Note au consommateur** – Conservez ces instructions pour référence future.
- La garantie ne couvre aucune panne due à une mauvaise installation.

### ⚠ AVERTISSEMENT –


Cet appareil doit être bien mis à la terre.

- **IMPORTANT** – Vous devez vérifier que cet appareil n'ait pas de fuite conformément aux instructions du fabricant.
- **L'installateur est responsable d'une bonne installation et la garantie ne couvre aucune panne due à une mauvaise installation.**

### POUR VOTRE SÉCURITÉ

### ⚠ AVERTISSEMENT –

Si vous ne suivez pas exactement les instructions de ce manuel, vous risquez d'occasionner un incendie, une explosion ou une fuite de gaz, qui peuvent provoquer des dommages matériels, des blessures corporelles ou la mort.

 Ne conservez pas ou n'utilisez jamais d'essence ou d'autres liquides ou vapeurs inflammables à proximité de cet appareil ou de tout autre appareil ménager!



### CI QUE VOUS DEVEZ FAIRE SI VOUSSENTEZ LE GAZ:

- N'essayez jamais d'allumer un appareil électroménager. Ne touchez à aucun commutateur d'électricité, n'utilisez jamais un téléphone dans votre bâtiment.
- Appelez immédiatement votre fournisseur de gaz à l'aide du téléphone d'un voisin. Suivez les instructions de votre fournisseur de gaz.
- Si vous ne pouvez pas entrer en contact avec votre fournisseur de gaz, appelez les pompiers.

L'installation et le service de votre table de cuisson doivent être faits par un installateur qualifié, un technicien de service ou votre fournisseur de gaz.

**⚠ AVERTISSEMENT** – Débranchez tout courant électrique au niveau du disjoncteur de la maison ou de la boîte à fusibles avant d'installer.

La conception de votre table de cuisson a été approuvée par Underwriters Laboratories. Vous trouverez des précautions à prendre en matière de sécurité dans votre Guide d'utilisation et de soins. Lisez-les attentivement.

- L'installation de votre table de cuisson doit se conformer aux codes locaux ou, en l'absence de codes locaux, au National Fuel Gas Code, ANSI Z223.1/NFPA 54 Dernière édition.
- Assurez-vous que votre table de cuisson soit bien installée par un installateur qualifié ou un technicien de service.
- Pour éliminer tout mouvement corporel au dessus des brûleurs de votre table de cuisson, évitez de placer des armoires de cuisine au dessus des brûleurs.
- N'installez jamais votre appareil près d'une porte d'entrée ou dans un emplacement où un courant d'air peut gêner son usage.

## BESOINS D'ÉLECTRICITÉ

Cet appareil ménager doit être livré avec le bon voltage et la bonne fréquence et branché à son propre circuit de dérivation bien mis à la terre, protégé par un disjoncteur ou un fusible qui ont l'ampérage noté sur la plaque minéralogique de votre appareil.

Nous vous recommandons de faire brancher le câblage électrique et la fiche de votre cuisinière par un électricien qualifié. Après l'installation, demandez à l'électricien de vous montrer l'emplacement de votre coupe-circuit principal.

Demandez à votre entreprise de services publics les codes électriques en vigueur dans votre région. En ne câblant pas votre cuisinière conformément aux codes en vigueur, vous provoquez une situation dangereuse. En l'absence de codes, vous devez câbler et isoler votre cuisinière conformément aux exigences du Canadian Electrical Code.

## CONTENU

### Préparation à l'installation

Modèles disponibles .....	21
Pièces comprises .....	21
Matériaux dont vous pourriez avoir besoin .....	21
Outils dont vous aurez besoin .....	21
Options d'installation et de planification ..	22
Liste de vérification de pré-installation ..	23
Dimensions et dégagements .....	24
Emplacements de l'alimentation de gaz ..	25

### Instructions d'installation

Instructions étape par étape .....	26-28
Liste de vérification de fonctionnement ..	28

### Choix d'installation

Installation avec un évent descendant ..	29
Installation sur un tiroir chauffe-aliments .....	30
Installation sur un four simple .....	31

### Instructions d'installation pour la conversion du gaz naturel au gaz PL

Outils dont vous aurez besoin .....	32
Ajuster le régulateur .....	32
Changer les orifices .....	32, 33
Ajuster les flammes du brûleur .....	33

### Instructions d'installation pour la conversion du gaz PL au gaz naturel

Outils dont vous aurez besoin .....	34
Ajuster le régulateur .....	34
Changer les orifices .....	34, 35
Ajuster les flammes du brûleur .....	35

# Préparation à l'installation

## MODÈLES DISPONIBLES

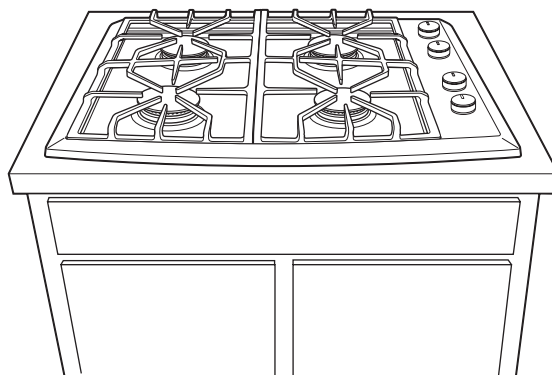
ZGU384N

Surface de cuisson au gaz naturel de 76 cm (30 po)

ZGU384L

Surface de cuisson au gaz PL de 76 cm (30 po)

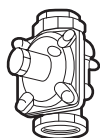
Ces modèles sont programmés en usine pour un fonctionnement au gaz naturel ou au gaz PL. Assurez-vous de commander le modèle adéquat à votre type d'installation.



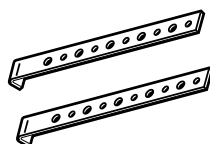
## PIÈCES COMPRISES



2 Vis



Régulateur

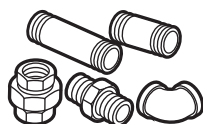


2 Supports de retenue

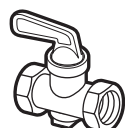
## MATÉRIAUX DONT VOUS POURRIEZ AVOIR BESOIN



Scellant à joint



Raccords de tuyau



Clapet de fermeture



Conduite flexible de gaz approuvé par la CSA, min. ID de 1,3 cm (1/2 po), connexion NPT de 1,3 cm (1/2 po), longueur maximale de 0,9 mètre (3 pi) (Massachusetts seulement)  
REMARQUE : achetez un nouveau conduit, n'utilisez pas de conduite de gaz flexible.

## OUTILS DONT VOUS AUREZ BESOIN POUR L'INSTALLATION



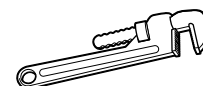
Crayon



Scie sauteuse



Tournevis à tête Phillips



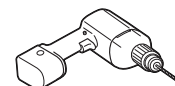
Clé à tube



Règle ou règle de vérification



Lunettes de sécurité



Perceuse à main et mèche de 1/8 po

# Préparation à l'installation

## PLANIFICATION AVANCÉE

- Consultez «Préparation de l'installation» pour des informations sur l'emplacement et les dégagements adéquats lorsque vous planifiez une installation.
- Autant que possible, évitez de placer les armoires de cuisine directement au-dessus de la surface de cuisson.
- Si vous avez des armoires au-dessus de la surface de cuisson :
  - Utilisez des armoires de 33 cm (13 po) de profondeur maximum.
  - Maintenez un dégagement d'au moins 76 cm (30 po) entre la surface de cuisson et les armoires non protégées directement au-dessus de la surface de cuisson.
  - Si le dégagement est inférieur à 76 cm (30 po), protégez les dessous d'armoire avec un celloderme pare-flammes d'au moins 60 mm (1/4 po) d'épaisseur ou une planche de gypse d'au moins 47 mm (3/16 po) d'épaisseur, recouverte d'acier inoxydable de calibre 28 ou de cuivre de 5 mm (0,02 po) d'épaisseur.
  - Le dégagement entre la surface de cuisson et les armoires protégées ne doit pas être inférieur à 61 cm (24 po).
  - Une hotte d'aspiration projetée à un minimum de 13 cm (5 po) à l'avant des armoires peut réduire le risque de brûlures causées lorsque l'on tente de tendre le bras par-dessus les éléments chauffés.
  - Les zones de travail adjacentes à la surface de cuisson doivent présenter un dégagement minimal de 46 cm (18 po) entre le dessus du comptoir et le fond des armoires.
- L'utilisation d'une hotte d'aspiration de 76 cm (30 po) de largeur ou plus avec 350 CFM ou plus de débit d'air est recommandée avec cette surface de cuisson Monogram.
- L'installation doit être conforme aux codes locaux. En l'absence de codes locaux, la surface de cuisson doit se conformer au code du National Fuel Gas, ANSI Z223.1, dernière édition.
- L'alimentation en gaz doit se trouver près de l'ouverture de cette surface de cuisson (consultez les sections «Préparation de l'ouverture» et «Connexion de gaz» de ce manuel). L'alimentation doit vous fournir du gaz naturel à 18 cm (7 po) de la colonne d'eau 28 cm (11 po) de la colonne d'eau pour le gaz PL et à un maximum de 35,3 cm (14 po) de la colonne d'eau pour le gaz naturel ou PL.
- L'option d'allumage électrique pour ce modèle requiert une alimentation électrique de 120V située dans les environs immédiats de cette surface de cuisson (consultez la section «Connexions électriques» de ce manuel).

### Kit de conversion haute altitude WB28T10185

Pour l'opération >1 524 m (>5 000 pi), commandez le kit de conversion WB28T10185. Ce kit comprend les orifices pour l'opération du GPL et du gaz naturel.

## OPTIONS D'INSTALLATION

### Installation de la surface de cuisson et de la combinaison ZVB30 à évent descendant

Ces surfaces de cuisson peuvent être installées avec l'évent descendant Monogram de 76 cm (30 po), modèle ZVB30. Consultez la page 29 pour les découpes et les dégagements.

- Le comptoir doit présenter une surface plate pour loger l'installation combinée surface de cuisson et évent.
- L'évent descendant avec ventilateur, moteur et conduits occupera l'armoire de base.
- Prenez soin d'envisager les emplacements de l'électricité et du gaz. Consultez la page 25.

### Installation de la combinaison surface de cuisson et tiroir chauffe-aliments de modèle ZTD910 ou ZKD910

Ces surfaces de cuisson peuvent être installées sur un tiroir chauffe-aliments de 76 cm ou de 68,5 cm (30 po ou 27 po) de Monogram, modèle ZTD910 ou ZKD910. Consultez la page 30 pour les découpes et dégagements.

- Prenez soin d'envisager les emplacements de l'électricité et du gaz. Consultez la page 25.

### Installation de la combinaison four simple ZET1, ZEK938 ou ZET938

Ces surfaces de cuisson peuvent être installées sur un four 76 cm (30 po) ou 68,6 cm (27 po) de Monogram, modèle ZET1, ZEK938 ou ZET938. Consultez la page 31 pour les découpes et les dégagements.

- Prenez soin d'envisager les emplacements de l'électricité et du gaz. Consultez la page 25.

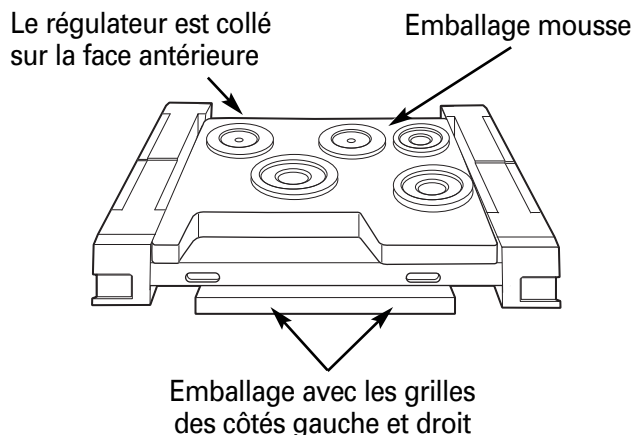
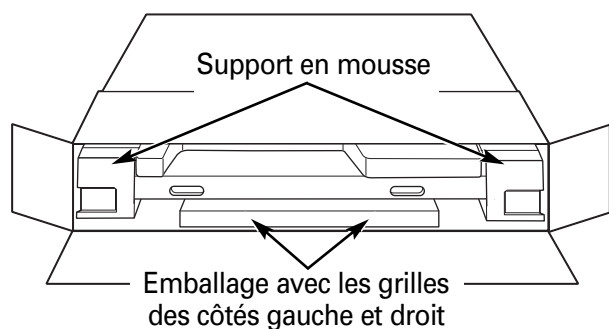
### Installation au-dessus des tiroirs des armoires

- Lorsque vous installez la surface de cuisson au-dessus d'armoires de base avec tiroirs, il peut être nécessaire d'utiliser un tiroir de profondeur moindre (avant ou arrière) pour permettre le dégagement nécessaire à la connexion de gaz.

# Préparation à l'installation

## LISTE DE VÉRIFICATION DE PRÉ-INSTALLATION

1. Lorsque vous préparez l'ouverture de la surface de cuisson, assurez-vous que l'intérieur de l'armoire et la surface de cuisson ne se nuisent pas. (Consultez la section «Préparation de l'ouverture»).
2. Glissez la surface de cuisson hors de la boîte. Retirez les matériaux d'emballage, les boîtes de grilles, le régulateur et la documentation avant de débiter l'installation.
  - Utilisez le carton d'expédition comme coussinet de protection pour les comptoirs ou le revêtement de plancher.



3. Sortez les instructions d'installation du paquet de la documentation et lisez-les attentivement avant de commencer.

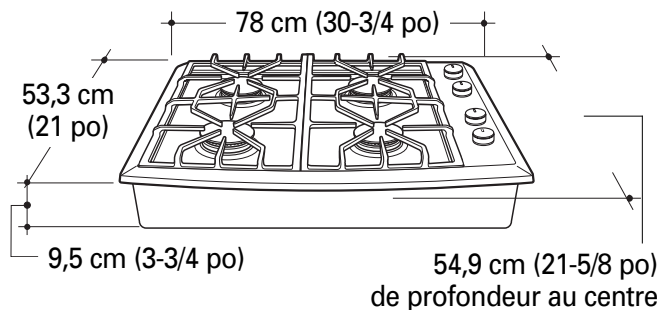
Assurez-vous de placer toute la documentation, le manuel du propriétaire, les instructions d'installation etc. dans un endroit sûr pour référence future.

4. Assurez-vous d'avoir en main tous les outils et matériaux nécessaires avant de débiter l'installation de la surface de cuisson.
5. Votre domicile doit être doté d'une alimentation électrique adéquate pour une utilisation sûre et appropriée de votre surface de cuisson. (Consultez la section «Exigences électriques»).
6. Lorsque vous installez votre surface de cuisson à domicile, assurez-vous de vous conformer à tous les codes et règlements locaux.
7. Assurez-vous que les revêtements muraux, les comptoirs et les armoires autour de la surface de cuisson peuvent supporter la chaleur (jusqu'à 93 °C ou 200 °F) générée par la surface de cuisson.

# Préparation à l'installation

## DIMENSIONS ET DÉGAGEMENTS

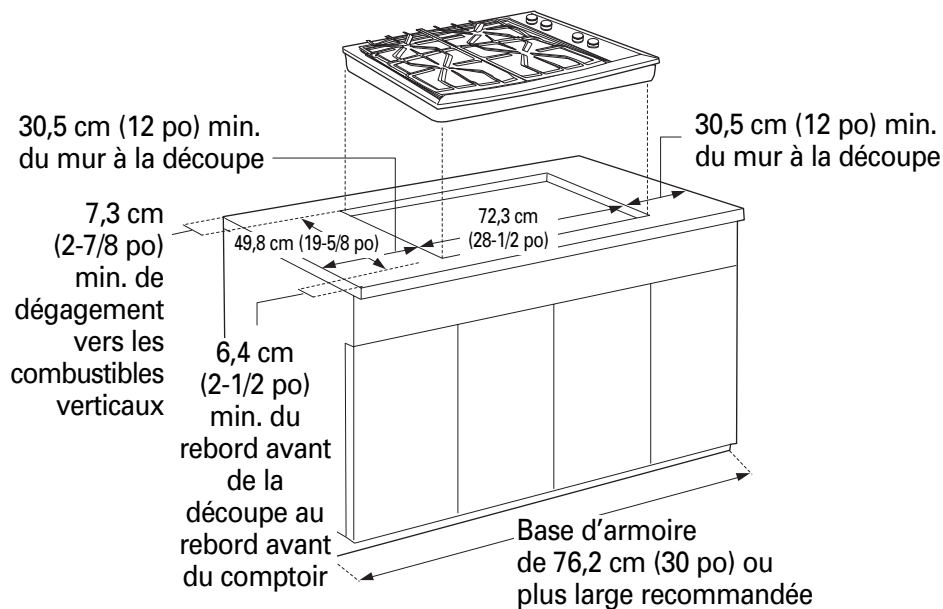
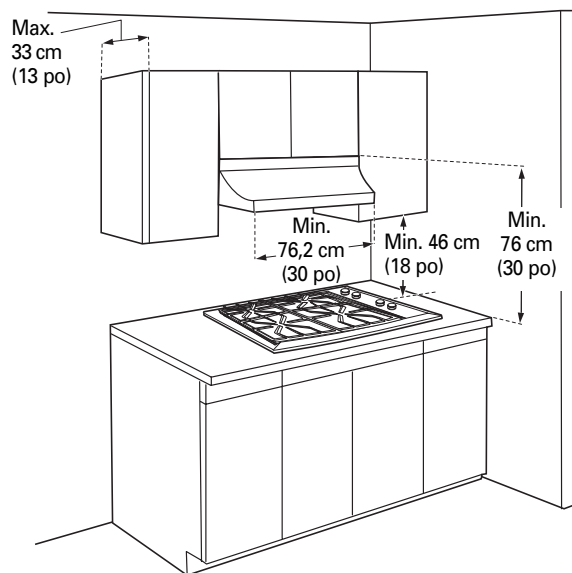
1. Dimensions globales de la surface de cuisson :



2. Utilisez une armoire de base de 76,2 cm (30 po) de largeur ou plus.

- Découpez l'ouverture dans le comptoir. Pour assurer l'exactitude, il est indiqué de faire un gabarit d'ouverture. Assurez-vous que les côtés de l'ouverture sont parallèles et que les découpes avant et arrière sont exactement perpendiculaires aux côtés.
- Observez tous les dégagements minimums.

3. Assurez-vous que les revêtements muraux, les comptoirs et les armoires autour de la surface de cuisson peuvent supporter la chaleur (jusqu'à 93,3 °C ou 200 °F) générée par la surface de cuisson.





# Préparation à l'installation

## EMPLACEMENTS DE L'ALIMENTATION DE GAZ

### Alimentation de gaz :

Ces surfaces de cuisson sont expédiées de l'usine prêtes à être utilisées avec le gaz naturel ou le gaz PL. Vérifiez que votre surface de cuisson est celle qui est appropriée au type de gaz utilisé.

- Le régulateur de pression doit être branché en série avec le collecteur de la surface de cuisson et doit demeurer en série avec la conduite d'alimentation, peu importe le type de gaz utilisé.
- Le modèle au gaz naturel est conçu pour fonctionner à 12,7 cm (5 po) de pression de la colonne d'eau. Un régulateur est requis à la source de gaz naturel pour procurer un minimum de 15,2 cm (6 po) de la colonne d'eau au régulateur de la surface de cuisson.
- Le modèle au gaz propane est conçu pour fonctionner à 24,5 cm (10 po) de pression de la colonne d'eau. Un régulateur est requis à la source de gaz PL pour procurer un minimum de 28 cm (11 po) de la colonne d'eau au régulateur de la surface de cuisson.
- La pression d'admission maximale pour le régulateur fourni avec la surface de cuisson est de 35,5 cm (14 po) de la colonne d'eau, peu importe le type de gaz utilisé.

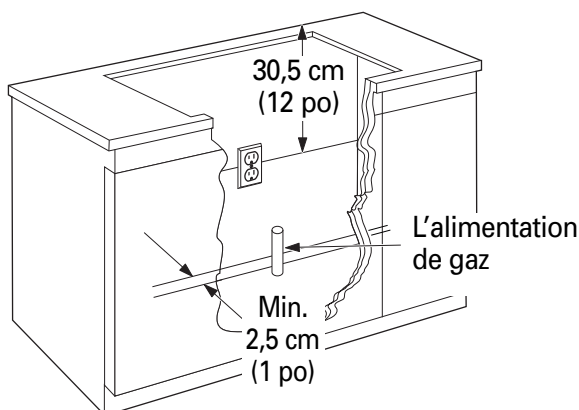
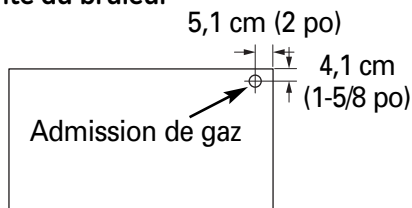
Pour faciliter l'installation et si les codes locaux le permettent, la conduite d'alimentation de gaz menant à la surface de cuisson doit être un connecteur flexible métallique ID de 1,3 cm (1/2 po) ou 1,7 cm (3/4 po) et de 0,9 à 1,5 mètres (3 à 5 pi) de longueur.

**REMARQUE : achetez une nouvelle conduite flexible. N'UTILISEZ JAMAIS UNE CONDUITE FLEXIBLE USAGÉE.**

- Faites la connexion de gaz à travers la paroi arrière ou sur le plancher de l'armoire à l'arrière, tel qu'illustré.
1. Installez l'alimentation de gaz à la maison à un minimum de 2,54 cm (1 po) de la paroi arrière.
  2. Installez la sortie électrique 30,5 cm (12 po) sous le comptoir.

### Arrière-Enceinte du brûleur

L'admission de gaz est située au bas de l'enceinte du brûleur, dans la partie droite arrière.



Installez une soupape de coupure manuelle de la conduite de gaz en un endroit facilement accessible à l'extérieur de la surface de cuisson. Assurez-vous que vous savez comment et où couper l'alimentation de gaz à la surface de cuisson. Installez la prise électrique à 30,5 cm (12 po) sous le comptoir.

### Alimentation électrique :

Cette surface de cuisson offre un allumage électrique sans veilleuse pour vous procurer économie et fiabilité. Elle fonctionne sur une alimentation électrique de 120 volts, 60 Hz. Un circuit séparé, protégé par un fusible à délai d'entrée de 15 ampères ou un disjoncteur, est requis.

### Installations de combinaison en option

Cette surface de cuisson peut être installée en combinaison avec un événement descendant Monogram ZVB30 et un four simple ZET1, ZEK938 ou ZET938 ou avec un tiroir chauffe-aliments ZTD910 ou ZKD910.

- L'alimentation en gaz et en électricité doit être située à un endroit où elle ne nuit pas au boîtier de l'événement, au four ou au tiroir chauffe-aliments. Consultez les pages 29 à 31 pour les autres exigences d'installation.

- Un réceptacle à trois (3) broches correctement mis à la terre doit être situé à porté du cordon électrique de 1,2 mètre (4 pi) de la surface de cuisson.

**IMPORTANT (lire attentivement) : POUR VOTRE PROPRE SÉCURITÉ, CET ÉLECTROMÉNAGER DOIT ÊTRE CORRECTEMENT MIS À LA TERRE.**

- Cet appareil est muni d'un cordon d'alimentation doté d'une fiche triphasée qui se branche sur une prise murale standard triphasée mise à la terre afin de minimiser le risque de choc électrique.
- Le client doit faire vérifier la prise murale et le circuit par un électricien autorisé pour vous assurer que la prise est correctement mise à la terre et possède la bonne polarité.
- Si vous avez une prise murale standard à deux fiches, il vous incombe et de votre obligation de la faire remplacer par une prise murale triphasée.

**En aucun cas vous ne devez couper et retirer la troisième broche de mise à la terre du cordon d'alimentation.**

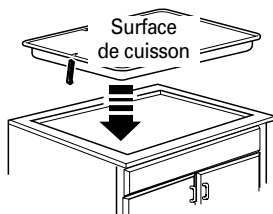
N'utilisez pas de rallonge électrique.

# Instructions d'installation

## 1 INSTALLEZ LA SURFACE DE CUISSON

- A. Retirez les vis des côtés de la boîte de brûleur de la surface de cuisson. Utilisez ces vis pour attacher les supports de fixation latéraux.
- B. Insérez la surface de cuisson centrée dans l'ouverture découpée. Assurez-vous que le rebord avant du comptoir est parallèle à la surface de cuisson.

Vérifiez les dégagements à l'arrière, à l'avant et sur les côtés.



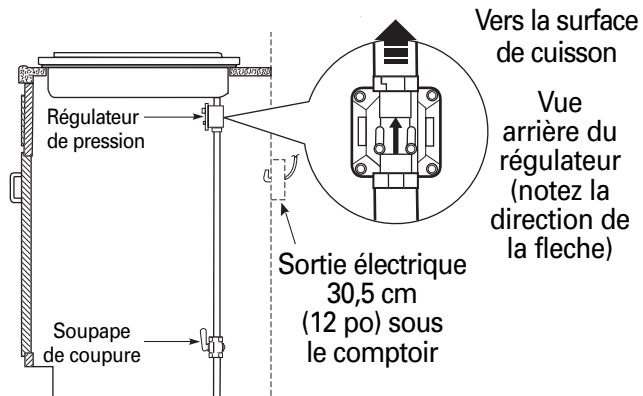
Fixez le support de retenue des côtés de l'armoire avec des vis.

## 2 INSTALLEZ LE RÉGULATEUR DE PRESSION

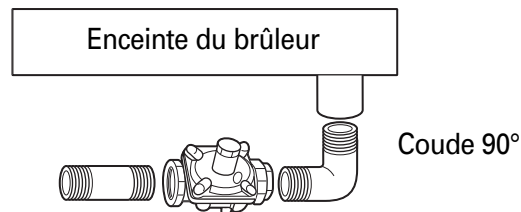
**⚠ AVERTISSEMENT :** ne réutilisez jamais de vieux connecteurs flexibles. Leur utilisation peut entraîner des fuites de gaz et des blessures. Utilisez toujours de nouveaux connecteurs flexibles lorsque vous installez un appareil au gaz.

Pour réduire la possibilité de fuites de gaz, appliquez un ruban Teflon ou une pâte lubrifiante approuvée pour une utilisation avec gaz PL ou gaz naturel à toutes les connexions filetées.

- A. Vissez le régulateur sur la connexion du tuyau inférieur de la boîte de brûleur. Assurez-vous que le haut du régulateur fait face à l'avant de l'armoire et que la flèche à l'arrière du régulateur pointe vers la surface de cuisson.



## 2 INSTALLEZ LE RÉGULATEUR DE PRESSION (suite)



**OPTION :** Vous pouvez poser un coude 90° (non fourni) sur l'admission de gaz et acheminer les raccords de gaz de façon à éviter les obstacles dans le cas d'installations au-dessus d'un four, ou avec un évent de contre-tirage, un tiroir chauffe-aliments ou d'autres accessoires.

- B. Complétez la connexion entre le régulateur et la soupape de coupure.
- C. Avant de faire des essais de détection de fuite, assurez-vous que tous les boutons du brûleur sont en position OFF.

Après avoir relié la surface de cuisson au gaz, vérifiez le système pour y déceler toute fuite à l'aide d'un manomètre. Si vous n'en avez pas, démarrez l'alimentation en gaz de la surface de cuisson et utilisez un détecteur de fuite liquide à tous les joints et à toutes les connexions pour vérifier s'il y a des fuites.

Serrez toutes les connexions au besoin pour prévenir les fuites de gaz dans la conduite d'alimentation ou dans la surface de cuisson.

**⚠ AVERTISSEMENT :** n'utilisez jamais une flamme pour vérifier s'il y a des fuites.

**Débranchez la surface de cuisson et sa soupape de coupure individuelle** du système de conduite d'alimentation en gaz durant les tests de pression lorsque les pressions sont supérieures à 3,5 kPa (1/2 psig).

**Isolez la surface de cuisson** du système de conduite d'alimentation en gaz en fermant sa soupape de coupure individuelle durant tout test de pression du système d'alimentation en gaz à des pressions égales ou inférieures à 3,5 kPa (1/2 psig).

## 3 BRANCHEZ L'ÉLECTRICITÉ

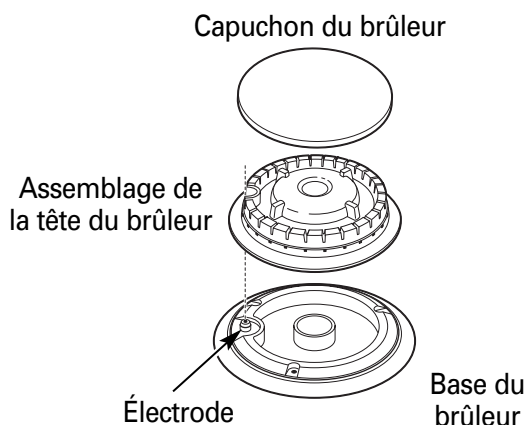
- Assurez-vous que la prise murale est bien mise à la terre.
- Branchez le cordon électrique.

# Instructions d'installation

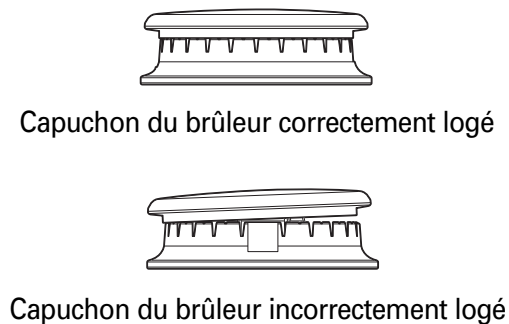
## 4 ASSEMBLEZ LES BRÛLEURS, VÉRIFIEZ L'ALLUMAGE

L'électrode du système d'allumage électronique se trouve au-dessus de la surface de la base du brûleur. Ne retirez pas un capuchon de brûleur et ne touchez pas l'électrode d'un brûleur lorsqu'un autre brûleur est allumé. Cela pourrait causer un choc électrique ou des dommages.

- A. Retirez le ruban qui maintient les brûleurs en place. Notez la position de la base du brûleur, de la tête et du capuchon les plus grands. Les pièces de taille régulière et grande ne sont pas interchangeables.
- B. Placez les têtes de brûleur par-dessus la base du brûleur. Assurez-vous que le trou de la tête de brûleur est correctement aligné avec l'électrode de la base du brûleur.



- C. Placez les capuchons de brûleur sur les têtes de brûleur. Assurez-vous qu'ils sont correctement logés sur les têtes de brûleur.



## 4 ASSEMBLEZ LES BRÛLEURS, VÉRIFIEZ L'ALLUMAGE (suite)

D. Vérifiez les allumeurs.

Le fonctionnement des allumeurs électriques doit être mis à l'essai une fois que la surface de cuisson et la conduite d'alimentation ont été soigneusement vérifiées pour détecter toute trace de fuite et après que la surface de cuisson ait été correctement branchée à l'alimentation électrique.

- Poussez et tournez une soupape de brûleur à la position LITE. Tous les allumeurs feront entendre une série d'étincelles (cliquetis) mais seul le brûleur à la position LITE s'allumera.
  - Le brûleur doit s'allumer lorsque le gaz est disponible au brûleur.
  - Une fois le brûleur allumé, il doit être tourné vers une autre position.
- Testez chaque soupape séparément jusqu'à ce que tous les brûleurs aient été vérifiés.

**IMPORTANT :** si les électrodes de l'allumeur continuent à faire des étincelles après que tous les brûleurs ont été allumés, vérifiez que chaque composante du brûleur est correctement assemblée et logée.

E. Allumage du brûleur.

Allumage de la surface de cuisson—Lorsque vous placez le bouton de la surface de cuisson à LITE, l'allumeur fait entendre une série d'étincelles électriques (cliquetis) qui allument le brûleur. Durant une panne de courant, les brûleurs ne s'allumeront pas automatiquement. En cas d'urgence, les brûleurs peuvent être allumés avec une allumette en suivant les étapes ci-dessous.

**⚠ AVERTISSEMENT :** allumer les brûleurs au gaz avec une allumette est dangereux. **Vous devez allumer les brûleurs avec une allumette seulement en cas d'urgence.**

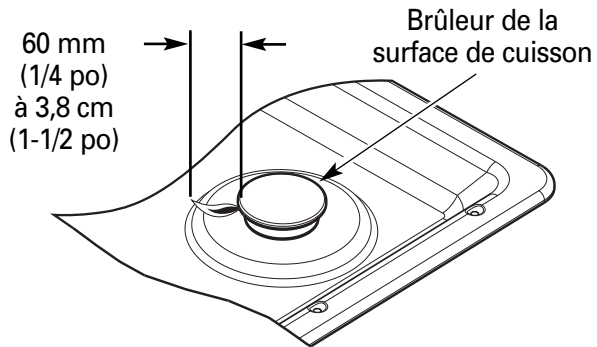
- Craquez une allumette et tenez la flamme près du brûleur que vous désirez allumer. Ce sont les allumettes de bois qui fonctionnent le mieux.
- Poussez et tournez lentement le bouton de contrôle. Assurez-vous que vous tournez le bouton qui correspond au brûleur que vous désirez allumer.

**REMARQUE :** si le brûleur ne s'allume pas dans les cinq (5) secondes, tournez le bouton pour éteindre et attendez une (1) minute avant d'essayer de nouveau.

# Instructions d'installation

## 4 ASSEMBLEZ LES BRÛLEURS, VÉRIFIEZ L'ALLUMAGE (suite)

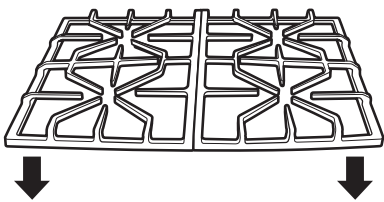
F. Allumez chaque brûleur. **Sur les modèles PL**, les flammes doivent être de couleur bleue, mais les extrémités pourraient être jaunes. **Les modèles au gaz naturel** devraient présenter de douces flammes bleues. Les flammes du brûleur ne doivent pas trembloter ou s'éteindre. La flamme ne doit pas être inférieure à 60 mm (1/4 po) au réglage le plus bas et pas supérieure à 3,8 cm (1-1/2 po) au réglage le plus haut.



Les brûleurs doivent être régulièrement vérifiés

**⚠ AVERTISSEMENT** : si vous tentez de mesurer la flamme, soyez prudent. Vous pourriez vous brûler.

G. Placez les deux grilles de côté de façon à former un «arc» continu avec les nervures des deux grilles. Assurez-vous que les deux grilles sont stables et de niveau.



## LISTE DE VÉRIFICATION

1. Assurez-vous que tous les contrôles sont laissés en position OFF (fermé).
2. La plaque du numéro de série de votre surface de cuisson se trouve au bas du boîtier des brûleurs. En plus des numéros de modèle et de série, la plaque indique les valeurs nominales des brûleurs, ainsi que la pression et le type de combustible auxquels la surface de cuisson a été ajustée en usine.
3. Lorsque vous commandez des pièces, indiquez toujours le numéro de série, le numéro de modèle et le code à lettres de la pièce requise pour éviter toute commande erronée.
4. Effectuez une contre-vérification pour vous assurer que chacune des étapes d'installation a été exécutée comme il le faut.

# Options d'installation

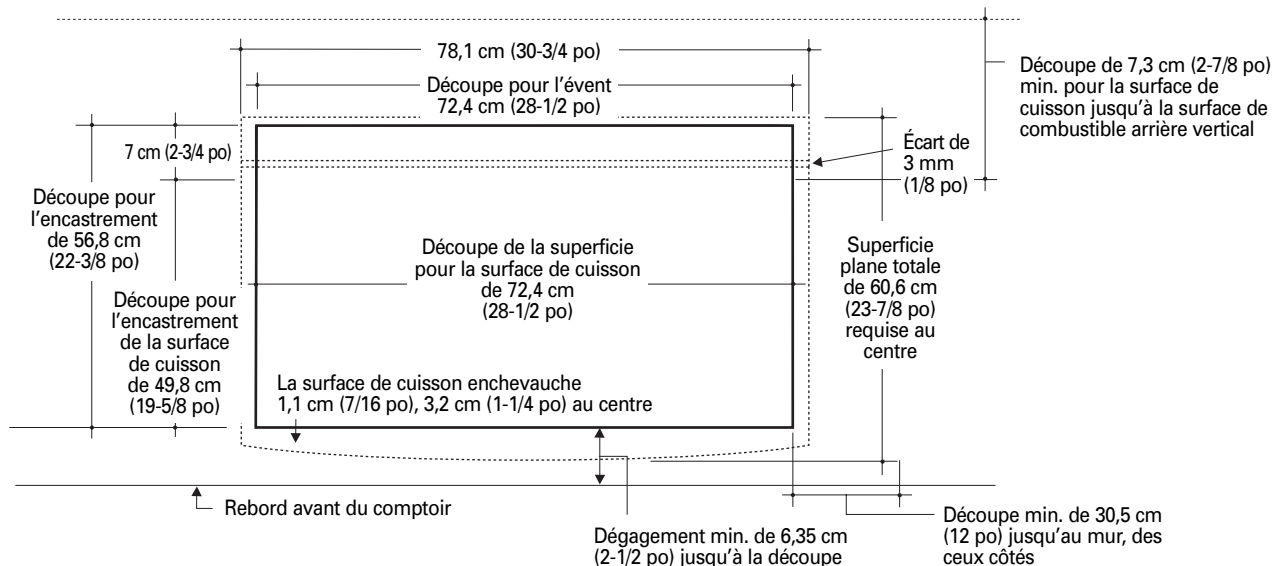
## INSTALLATION DE LA SURFACE DE CUISSON AVEC UN ÉVENT MONOGRAM DE 30 PO (76 CM) À COURANT DESCENDANT, MODÈLE ZVB30

Un grand nombre de facteurs sont à considérer si vous choisissez d'installer un événement à courant descendant pour cette surface de cuisson. L'installation tant de la surface à cuisson que de l'évent doit se faire selon des instructions spécifiques du fabricant.

## SURFACE DE CUISSON—SPÉCIFICATIONS D'INSTALLATION

Le comptoir à recevoir la surface de cuisson et l'évent doit être plat et profond. Les comptoirs munis d'un dossier et d'un rebord arrondi ne conviennent pas.

- Examinez l'illustration pour déterminer quel comptoir convient le mieux.
  - Veillez à bien respecter toutes les mesures indiquant les dimensions de découpe.



## ARMOIRE SUR PLANCHER—SPÉCIFICATIONS

L'installation de la surface de cuisson et de l'évent convient à une armoire sur plancher standard d'une profondeur de 61 cm (24 po). Utilisez une armoire sur plancher d'une largeur d'au moins 76,2 cm (30 po).

- Le boîtier de l'évent, le souffleur et la tuyauterie rempliront l'armoire sur plancher.

## BLOC D'ALIMENTATION

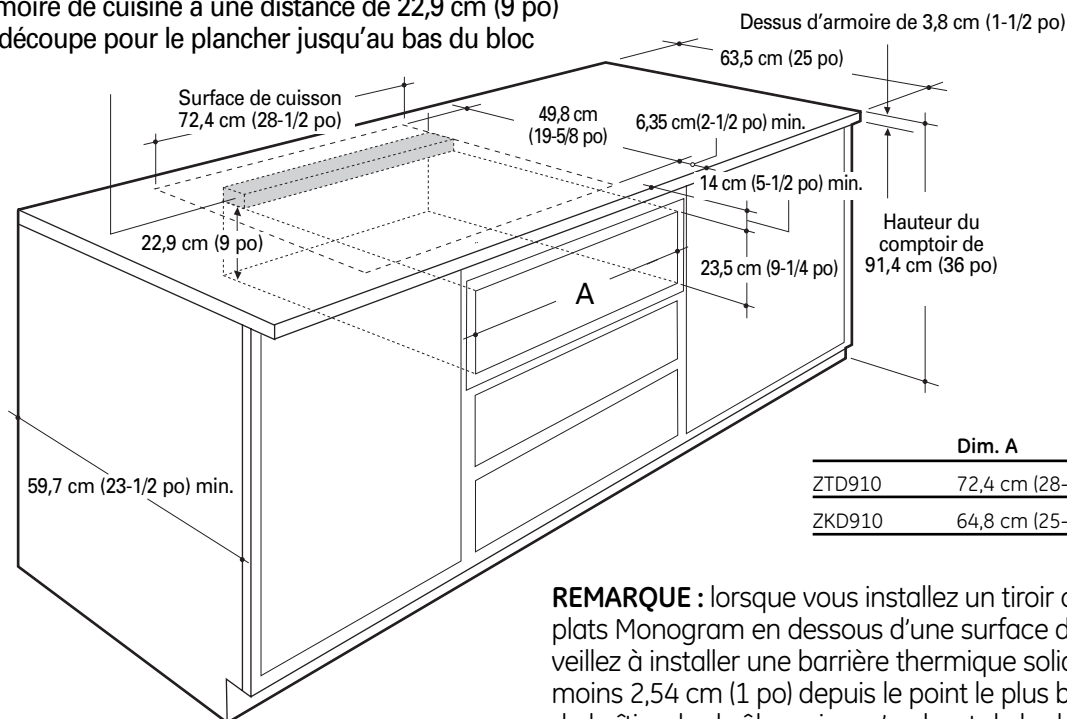
Si les codes de votre localité le permettent, tant la surface de cuisson que l'évent peuvent être branchés sur une seule prise double de 120 volts et de 15 ampères. Repérez l'arrivée de gaz et l'alimentation électrique ainsi qu'il est illustré à la page 25.

# Options d'installation

## INSTALLATION DE LA SURFACE DE CUISSON AU-DESSUS D'UN TIROIR CHAUFFE-PLATS MONOGRAM, MODÈLE ZTD910 OU ZKD910

Ce type de surface de cuisson s'installe au-dessus d'un tiroir chauffe-plats de 76 ou 68,6 cm (30 ou 27 po). Tant la surface de cuisson que le tiroir sont à installer selon les instructions spécifiques du fabricant.

Installez le bloc antibascullement de 2x4 ou 2x2 contre le mur derrière l'armoire de cuisine à une distance de 22,9 cm (9 po) depuis la découpe pour le plancher jusqu'au bas du bloc



Utilisez une armoire sur plancher d'une largeur d'au moins 76,2 cm (30 po).

- Lors des travaux d'installation, prévoyez avec soin l'emplacement de l'arrivée de gaz pour éviter toute interférence avec le tiroir chauffe-plats.

## BLOC D'ALIMENTATION :

Si les codes de votre localité le permettent, tant la surface de cuisson que le tiroir chauffe-plats peuvent être branchés sur une seule prise double de 120 volts et de 15 ampères.

**REMARQUE :** lorsque vous installez un tiroir chauffe-plats Monogram en dessous d'une surface de cuisson, veillez à installer une barrière thermique solide d'au moins 2,54 cm (1 po) depuis le point le plus bas du fond du boîtier des brûleurs jusqu'au haut de la découpe. Pour plus de détails, reportez-vous aux instructions d'installation du tiroir chauffe-plats.



# Options d'installation

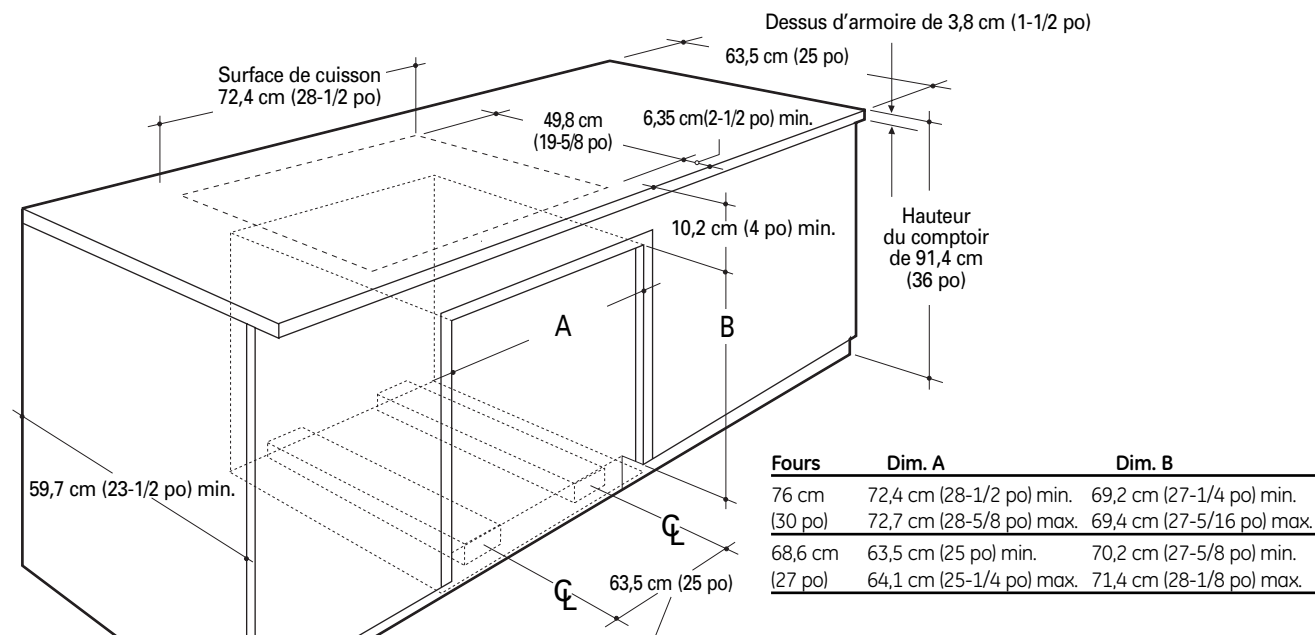
## INSTALLATION DE LA SURFACE DE CUISSON AU-DESSUS D'UN FOUR SIMPLE MONOGRAM DE 68,6 CM (27 PO) OU 76 CM (30 PO), MODÈLE ZET1, ZEK938 OU ZET938

Ces surfaces de cuisson doivent être installées selon les instructions spécifiques à chaque modèle, et ce, au-dessus du four simple Monogram ZET1, ZEK938 ou ZET938.

- Laissez un espace minimal de 10,1 cm (4 po) entre le dessus du comptoir et le dessus de l'orifice nécessaire pour le four.

## BLOC D'ALIMENTATION

Le four nécessite un bloc d'alimentation séparé et bien polarisé à 20 Amp, 3-wir 208 ou 240 volt, 60 Hz. La surface de cuisson à besoin d'un bloc d'alimentation supplémentaire de 120 V. Voir la page 25. Une valve de sécurité permettant de couper l'alimentation au gaz peut être installée dans un cabinet adjacent ou dans un endroit facilement accessible si le code le permet.



Utilisez deux coulisseaux de dimensions 5 cm x 10 cm (2 po X 4 po) ou équivalents, espacés de 63,5 cm (25 po) entre les deux lignes de centre de l'ouverture et mesurez pour que la distance soit égale avec le dessus, mais sans empiéter. Ou tout simplement soulever la hauteur de la base du four à la hauteur adéquate. Le soutien doit être au niveau, et monté solidement et capable de supporter un poids de 90 kilos (200 lb).

Utilisez une armoire sur plancher d'une largeur d'au moins 76,2 cm (30 po).

- Pour une question d'apparence, la surface de cuisson devrait être centrée au-dessus du four.

# Instructions d'installation

## Convertir le modèle du gaz naturel ZGU384NSMSS au gaz PL

### RENSEIGNEMENTS SUR LA SÉCURITÉ

L'orifice de l'élément et le régulateur de pression sont établis en fonction d'une alimentation au gaz.

Pour convertir la fonction du gaz naturel vers une fonction au propane liquide (PL) de la surface de cuisson, vous devrez changer l'orifice de l'élément ainsi que le régulateur de pression. Les orifices des éléments sont rattachés au régulateur.

**MISE EN GARDE** – Les surfaces de cuisson, telles qu'expédiées par le fabricant, sont à des fins d'utilisation au gaz. Si vous désirez utiliser votre surface de cuisson par un autre moyen d'alimentation de la surface de cuisson, vous devrez, en premier lieu, remplacer les orifices des éléments et ensuite convertir le régulateur de pression.

**⚠ AVERTISSEMENT** – Vous devrez faire appel à un technicien autorisé ou encore un détaillant en gaz pour effectuer une telle conversion, laquelle sera en conformité avec le code émis par le fabricant. Celui-ci devra suivre les instructions d'installation émises par le fabricant, selon les recommandations faites par l'autorité compétente à ce sujet. Si les directives ne sont pas suivies adéquatement, il y aurait risque de blessures ou de dommages matériels. Les techniciens qui feront le travail devront assumer entièrement la responsabilité de leur travail de conversion.

**MISE EN GARDE** – Les ajustements suivants devront être faits avant d'allumer les éléments chauffants. Un manque à cette étape pourrait entraîner des blessures sérieuses. Assurez-vous que le régulateur de pression a été converti de façon adéquate, tel que décrit à l'étape 1.

### OUTILS NÉCESSAIRES POUR LA CONVERSION



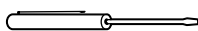
Clef anglaise



Clef à écrous de 7 mm



Lunettes de sécurité

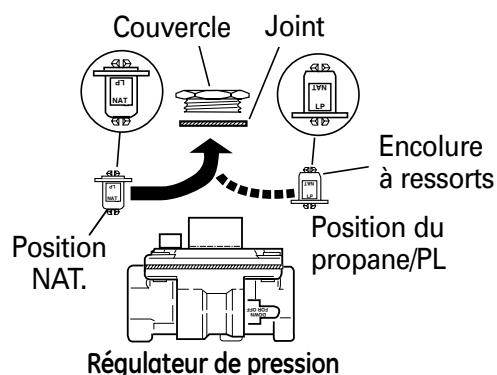


Petit tournevis à tête plate (de 2 à 2,4 mm ou 3/32 po dimension des pointes), 60 mm de long)

### 1 AJUSTEZ LE RÉGULATEUR DE PRESSION

- Déconnectez le bloc d'alimentation du courant de toutes les prises électriques, à partir du disjoncteur électrique principal situé dans la boîte à fusibles.
- Fermez l'alimentation au gaz vers la surface de cuisson en tournant la manivelle de fermeture de la valve de sécurité.
- Ajustez le régulateur de pression en suivant les directives suivantes :

- Dévissez le couvercle.
- Appuyez votre pouce contre la paroi plate de l'encolure à ressorts et appuyez vers le bas pour enlever l'encolure.
- Vérifiez pour localiser les positions à l'intérieur de l'encolure à ressorts du NAT ou du PL.



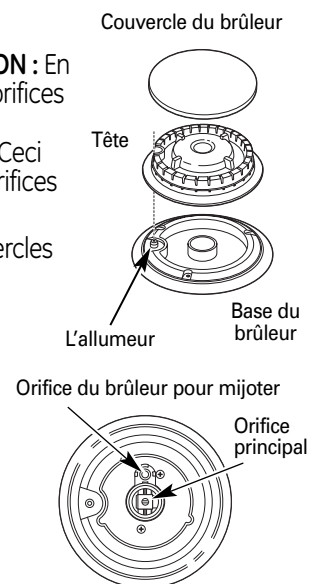
- Retournez l'encolure à ressorts en dessous afin de montrer par le fond la sortie de gaz désirée.
- Faites une pression sur l'encolure afin que celle-ci soit remise à sa position initiale.
- Revissez le couvercle sur le régulateur de pression.

### 2 CHANGEZ LES ORIFICES DES BRÛLEURS

**CONSEIL POUR L'INSTALLATION :** En premier lieu, enlevez tous les orifices sur le dessus de la surface de cuisson afin de les remplacer. Ceci prévient que certains des orifices des éléments soient oubliés.

- Enlevez les grilles, les couvercles et les têtes des brûleurs.
- À l'aide d'un tournevis de 7 mm, enlevez les orifices de la surface de cuisson. Il y a deux orifices par éléments.

L'orifice principal est situé dans le bas du centre du brûleur, tandis que l'élément pour mijoter est situé plus haut, à côté du centre du brûleur.

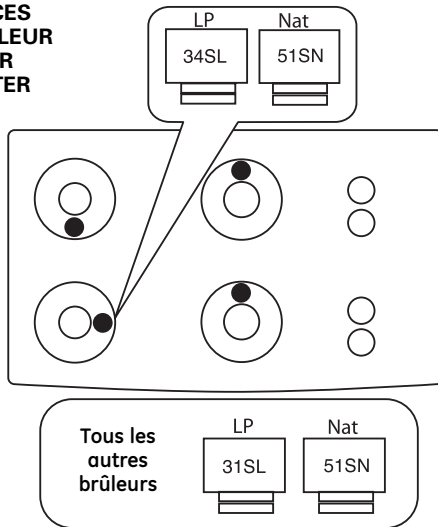




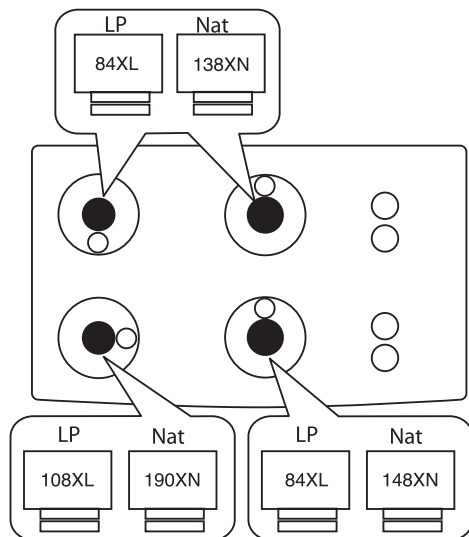
## 2 CHANGEZ LES ORIFICES DES BRÛLEURS (suite)

**IMPORTANT :** Les orifices doivent être situés tels qu'indiqués sur le schéma. Veuillez lire attentivement et observer chaque orifice afin de les repositionner correctement.

### ORIFICES DU BRÛLEUR POUR MIJOTER



### ORIFICES PRINCIPAUX



- Installez les bons orifices dans les bons trous, tel que cela est indiqué dans les illustrations ci-dessus.
- Ramenez les orifices des conduits du gaz naturel dans l'agrafe, puis rattachez l'agrafe et la feuille d'instructions au régulateur de pression en utilisant la vis enlevée au préalable.
- Remplacez les bases des brûleurs, les têtes, les couvercles ainsi que les grilles des brûleurs.

## 3 AJUSTEZ LA FLAMME DU BRÛLEUR

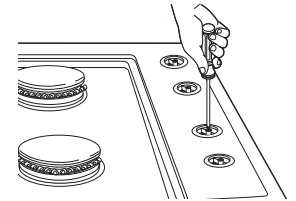
- Mettez les flammes de tous les brûleurs à la plus haute intensité possible. Elles devraient être de couleur bleue avec une légère teinte de jaune à la cime de la flamme lorsque vous utilisez le gaz PL. Des particules étrangères localisées dans la composition du gaz pourraient causer des flammes de couleur orangée au début, mais celles-ci disparaîtront rapidement.
- Tournez le bouton du brûleur de la surface de cuisson à «LO» en observant la flamme.

### Ajustez la hauteur de la flamme en utilisant la valve à vis d'ajustement comme ci-dessous :

Les ajustements devront être faits pendant que deux autres éléments chauffants brûlent à intensité médium, car ceci prévient que les flammes de la rangée du haut soient trop basses, ce qui aura pour résultat d'éteindre la flamme lorsque les autres brûleurs seront allumés à leur tour.

- Pour ajuster la hauteur de la flamme, enlevez le bouton et insérez-y un tournevis au travers du trou d'accès vers la valve, tel qu'indiqué sur le schéma.

- Si les flammes sont de moins forte intensité, ouvrez la valve un peu plus que sa position initiale.
- Si les flammes sont lancées très loin du brûleur, fermez un peu plus la valve qu'à sa position initiale.



- Faites les ajustements en tournant doucement la vis jusqu'à ce que la flamme ait une apparence adéquate.

### E. Tester la stabilité de la flamme :

- Test 1** - Tournez le bouton de «HI» à «LO» rapidement. Si la rangée supérieure des flammes s'éteint, augmentez la hauteur de la flamme et réessayez.
- Test 2** - Pendant que le brûleur est à «LO», ouvrez et fermez la porte du cabinet situé sous la surface de cuisson. Si la flamme s'éteint à ce moment, suite aux courants de vent créés par le mouvement de la porte du cabinet, augmentez la hauteur de la flamme et réessayez le test.

**REMARQUE :** Quand le brûleur est en position «SIM» (faible débit), la rangée supérieure des flammes s'éteint.

### F. Vérification des flammes :

Lorsque l'ajustement sera fait, refermez tous les brûleurs. Rallumez-les chacun individuellement. Observez si la flamme à la position «HI» diminue quand le bouton est tourné dans une direction contraire au sens des aiguilles.

**Une fois la conversion complétée et vérifiée comme étant conforme, veuillez remplir l'étiquette de conversion en y incluant votre nom, l'organisation qui a effectué le travail et la date de la conversion. Apposez cette étiquette près du conduit à gaz de la surface de cuisson afin d'informer les autres que cet appareil ménager à été converti. Si vous voulez revenir à l'utilisation au gaz d'origine, veuillez enlever l'étiquette afin que tous sachent que la conversion est revenue à l'utilisation d'origine.**

# Instructions d'installation

## Convertir le modèle du gaz PL ZGU384LSMSS au gaz naturel

### RENSEIGNEMENTS SUR LA SÉCURITÉ

Le régulateur de pression ainsi que les orifices des brûleurs sont conçus pour fonctionner au propane liquide (PL).

Pour convertir cette surface de cuisson du propane au gaz naturel, les orifices des brûleurs et le régulateur de pression devront être changés pour accepter le gaz naturel. Les orifices des éléments sont rattachés au régulateur.

**MISE EN GARDE** — Les surfaces de cuisson, telles qu'expédiées par le fabricant, sont à des fins d'utilisation au gaz. Si vous désirez utiliser votre surface de cuisson par un autre moyen d'alimentation de la surface de cuisson, vous devrez, en premier lieu, remplacer les orifices des éléments et ensuite convertir le régulateur de pression.

**⚠ AVERTISSEMENT** — Vous devrez faire appel à un technicien autorisé ou encore un détaillant en gaz pour effectuer une telle conversion, laquelle sera en conformité avec le code émis par le fabricant. Celui-ci devra suivre les instructions d'installation émises par le fabricant, selon les recommandations faites par l'autorité compétente à ce sujet. Si les directives ne sont pas suivies adéquatement, il y aurait risque de blessures ou de dommages matériels. Les techniciens qui feront le travail devront assumer entièrement la responsabilité de leur travail de conversion.

**MISE EN GARDE** — Les ajustements suivants devront être faits avant d'allumer les éléments chauffants. Un manque à cette étape pourrait entraîner des blessures sérieuses. Assurez-vous que le régulateur de pression a été converti de façon adéquate, tel que décrit à l'étape 1.

### OUTILS NÉCESSAIRES POUR LA CONVERSION



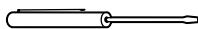
Clef anglaise



Clef à écrous de 7 mm



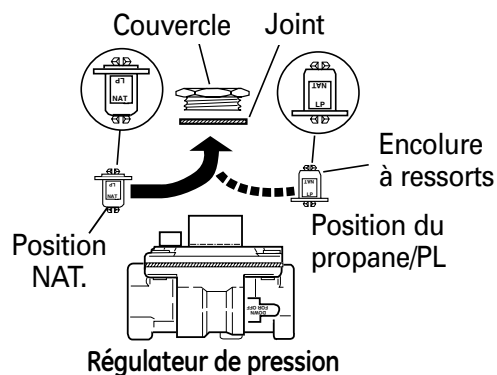
Lunettes de sécurité



Petit tournevis à tête plate (de 2 à 2,4 mm ou 3/32 po dimension des pointes), 60 mm de long)

### 1 AJUSTEZ LE RÉGULATEUR DE PRESSION

- Déconnectez le bloc d'alimentation du courant de toutes les prises électriques, à partir du disjoncteur électrique principal situé dans la boîte à fusibles.
- Fermez l'alimentation au gaz vers la surface de cuisson en tournant la manivelle de fermeture de la valve de sécurité.
- Ajustez le régulateur de pression en suivant les directives suivantes :
  - Dévissez le couvercle.
  - Appuyez votre pouce contre la paroi plate de l'encolure à ressorts et appuyez vers le bas pour enlever l'encolure.
  - Vérifiez pour localiser les positions à l'intérieur de l'encolure à ressorts du NAT ou du PL.



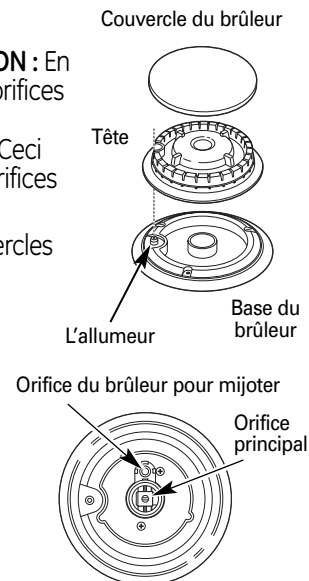
- Retournez l'encolure à ressorts en dessous afin de montrer par le fond la sortie de gaz désirée.
- Faites une pression sur l'encolure afin que celle-ci soit remise à sa position initiale.
- Revissez le couvercle sur le régulateur de pression.

### 2 CHANGEZ LES ORIFICES DES BRÛLEURS

**CONSEIL POUR L'INSTALLATION :** En premier lieu, enlevez tous les orifices sur le dessus de la surface de cuisson afin de les remplacer. Ceci préviendra que certains des orifices des éléments soient oubliés.

- Enlevez les grilles, les couvercles et les têtes des brûleurs.
- À l'aide d'un tournevis de 7 mm, enlevez les orifices de la surface de cuisson. Il y a deux orifices par éléments.

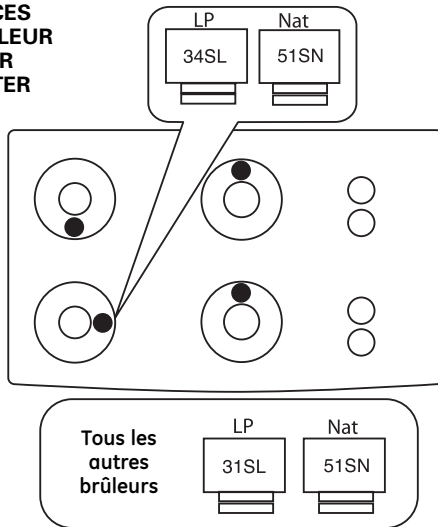
L'orifice principal est situé dans le bas du centre du brûleur, tandis que l'élément pour mijoter est situé plus haut, à côté du centre du brûleur.



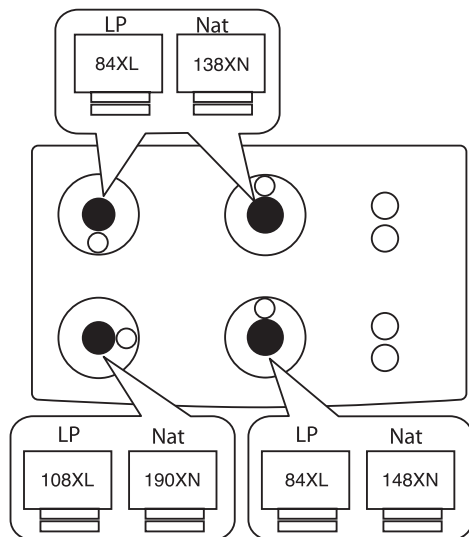
## 2 CHANGEZ LES ORIFICES DES BRÛLEURS (suite)

**IMPORTANT :** Les orifices doivent être situés tels qu'indiqués sur le schéma. Veuillez lire attentivement et observer chaque orifice afin de les repositionner correctement.

### ORIFICES DU BRÛLEUR POUR MIJOTER



### ORIFICES PRINCIPAUX



- Installez les bons orifices dans les bons trous, tel que cela est indiqué dans les illustrations ci-dessus.
- Ramenez les orifices des conduits du gaz LP dans l'agrafe, puis rattachez l'agrafe et la feuille d'instructions au régulateur de pression en utilisant la vis enlevée au préalable.
- Remplacez les bases des brûleurs, les têtes, les couvercles ainsi que les grilles des brûleurs.

## 3 AJUSTEZ LA FLAMME DU BRÛLEUR

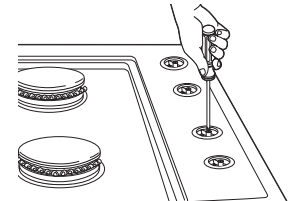
- Mettez les flammes de tous les brûleurs à la plus haute intensité possible. Les flammes doivent être bleues (pas de pointes jaunes) avec une alimentation au gaz naturel. Des particules étrangères localisées dans la composition du gaz pourraient causer des flammes de couleur orangée au début, mais celles-ci disparaîtront rapidement.
- Tournez le bouton du brûleur de la surface de cuisson à «LO» en observant la flamme.

### Ajustez la hauteur de la flamme en utilisant la valve à vis d'ajustement comme ci-dessous :

Les ajustements devront être faits pendant que deux autres éléments chauffants brûlent à intensité médium, car ceci prévient que les flammes de la rangée du haut soient trop basses, ce qui aura pour résultat d'éteindre la flamme lorsque les autres brûleurs seront allumés à leur tour.

- Pour ajuster la hauteur de la flamme, enlevez le bouton et insérez-y un tournevis au travers du trou d'accès vers la valve, tel qu'indiqué sur le schéma.

- Si les flammes sont de moins forte intensité, ouvrez la valve un peu plus que sa position initiale.
- Si les flammes sont lancées très loin du brûleur, fermez un peu plus la valve qu'à sa position initiale.



- Faites les ajustements en tournant doucement la vis jusqu'à ce que la flamme ait une apparence adéquate.
- Tester la stabilité de la flamme :**
  - Test 1** - Tournez le bouton de «HI» à «LO» rapidement. Si la rangée supérieure des flammes s'éteint, augmentez la hauteur de la flamme et réessayez.
  - Test 2** - Pendant que le brûleur est à «LO», ouvrez et fermez la porte du cabinet situé sous la surface de cuisson. Si la flamme s'éteint à ce moment, suite aux courants de vent créés par le mouvement de la porte du cabinet, augmentez la hauteur de la flamme et réessayez le test.

**REMARQUE :** Quand le brûleur est en position «SIM» (faible débit), la rangée supérieure des flammes s'éteint.

### F. Vérification des flammes :

Lorsque l'ajustement sera fait, refermez tous les brûleurs. Rallumez-les chacun individuellement. Observez si la flamme à la position «HI» diminue quand le bouton est tourné dans une direction contraire au sens des aiguilles.

**Une fois la conversion complétée et vérifiée comme étant conforme, veuillez remplir l'étiquette de conversion en y incluant votre nom, l'organisation qui a effectué le travail et la date de la conversion. Apposez cette étiquette près du conduit à gaz de la surface de cuisson afin d'informer les autres que cet appareil ménager à été converti. Si vous voulez revenir à l'utilisation au gaz d'origine, veuillez enlever l'étiquette afin que tous sachent que la conversion est revenue à l'utilisation d'origine.**

**NOTE:** While performing installations described in this book, safety glasses or goggles should be worn.

*For Monogram® local service in your area, call 1.800.444.1845.*

**NOTE:** Product improvement is a continuing endeavor at General Electric. Therefore, materials, appearance and specifications are subject to change without notice.

**REMARQUE :** Portez toujours des lunettes de sécurité lorsque vous procédez aux opérations décrites dans ce manuel.

*Pour obtenir l'adresse d'un centre de service Monogram® dans votre région, veuillez appeler le 1.800.561.3344.*

**REMARQUE :** La General Electric améliore ses produits en permanence. Par conséquent, les matériaux, l'aspect des produits et les spécifications sont susceptibles de changer sans préavis.



## Free Manuals Download Website

<http://myh66.com>

<http://usermanuals.us>

<http://www.somanuals.com>

<http://www.4manuals.cc>

<http://www.manual-lib.com>

<http://www.404manual.com>

<http://www.luxmanual.com>

<http://aubethermostatmanual.com>

Golf course search by state

<http://golfingnear.com>

Email search by domain

<http://emailbydomain.com>

Auto manuals search

<http://auto.somanuals.com>

TV manuals search

<http://tv.somanuals.com>