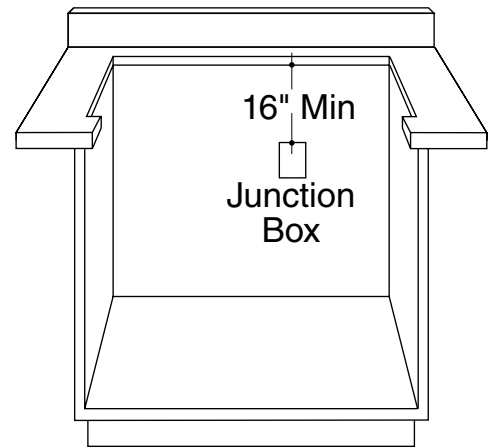
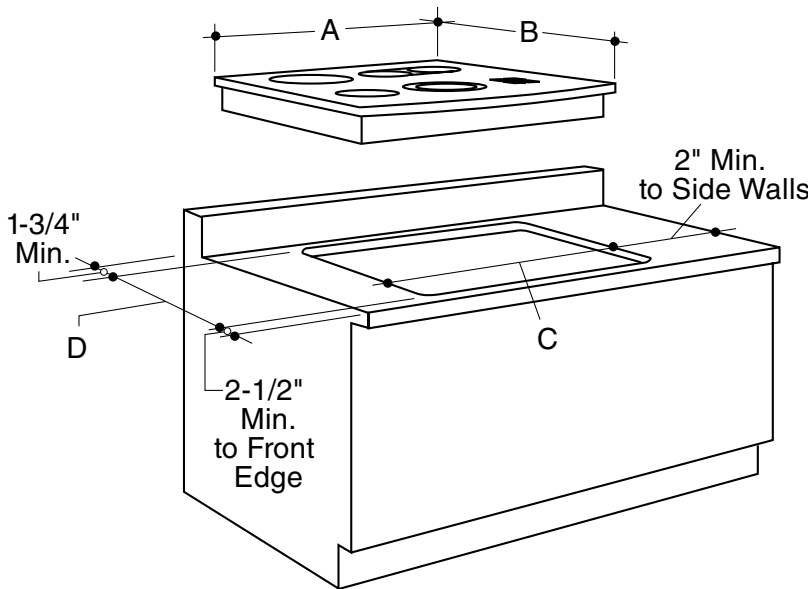


ZHU36RSM

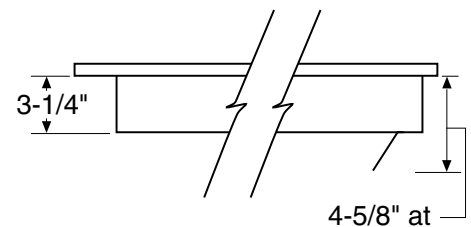
GE Monogram® 36" Induction Cooktop

Dimensions and Installation Information (in inches)



Dimensions:

36" Models	A	B (depth at sides)	B (depth at center)	C	D
ZHU36RSM	36-1/8"	20-15/32"	21"	33-7/8"	19-1/8"

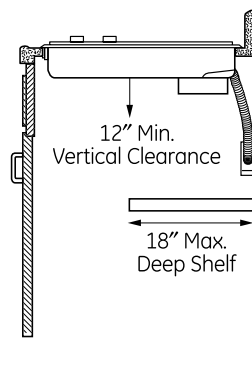


Electrical requirements

Product rating is 120/240V, 60Hz, 36" cooktops require a 50-amp circuit. The cooktops must be connected to a supply circuit of the proper voltage and frequency and protected by a time-delay fuse or circuit breaker.

All models require 12" minimum clearance below the cooktop bottom to combustible materials.

The cooktop bottom has air intake ports toward the front that help cool the components. Do not install a shelf or partition beneath the cooktop that is more than 18" deep.



For answers to your Monogram®, GE Profile™ or GE® appliance questions, visit our website at ge.com or call GE Answer Center® service, 800.626.2000.

Note: When the cooktop is installed over an oven, the baffle at the front is not required.

Combination installations

Consideration must be given to electrical supply locations when the cooktop is installed with other products in the same cabinet. Always refer to each product's installation instructions for clearances and electrical requirements.

- Install these cooktops with any exhaust hood of the same or greater width; 300 CFM or greater air flow rating is recommended.
- This 36" cooktop may be installed in combination with a Monogram® 36" downdraft vent. See downdraft vents for details.
- A Monogram single oven may be installed below these cooktops.

The serial plate is located on the bottom of the cooktops.



imagination at work



Specification Revised 11/07

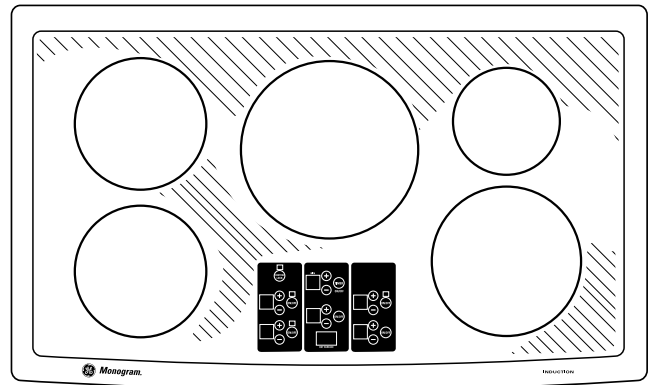
130253

ZHU36RSM

GE Monogram® 36" Induction Cooktop

Features and Benefits

- Induction Technology - Induction elements use electricity to produce a magnetic field that reacts with the iron in metal cookware - including cast iron and magnetic stainless steel pans - and transfers the heat to the cookware
- Sophisticated Styling - Stainless metallic models have a reflective metallic finish that captures light and colors inside the kitchen
- Digital Controls - Embedded in the cooktop offer added style and convenience
- 3,700-Watt, 11" Element - The most powerful induction element in the industry, it provides instantaneous heat across 19 different cooking settings
- Digital Pan-Sensing Technology - Detects the presence of cookware with magnetic properties, a requirement for induction cooking
- Pan Size Sensor - Automatically adjusts the heating element to the size of the pan
- Low-Warm Setting - provides just enough heat to maintain an ideal serving temperature
- Timer, Control-Lock Capability and Hot-Surface Indicator - provide an extra measure of convenience and safety
- Flexible Installation - Above a Monogram single wall oven is made possible by shallow-depth configuration with integrated cooling system
- Model ZHU36RSMSS - Stainless steel framed with a reflective metallic finish



For answers to your Monogram®, GE Profile™ or GE® appliance questions, visit our website at ge.com or call GE Answer Center® service, 800.626.2000.



imagination at work



Specification Revised 11/07

130253

Free Manuals Download Website

<http://myh66.com>

<http://usermanuals.us>

<http://www.somanuals.com>

<http://www.4manuals.cc>

<http://www.manual-lib.com>

<http://www.404manual.com>

<http://www.luxmanual.com>

<http://aubethermostatmanual.com>

Golf course search by state

<http://golfingnear.com>

Email search by domain

<http://emailbydomain.com>

Auto manuals search

<http://auto.somanuals.com>

TV manuals search

<http://tv.somanuals.com>