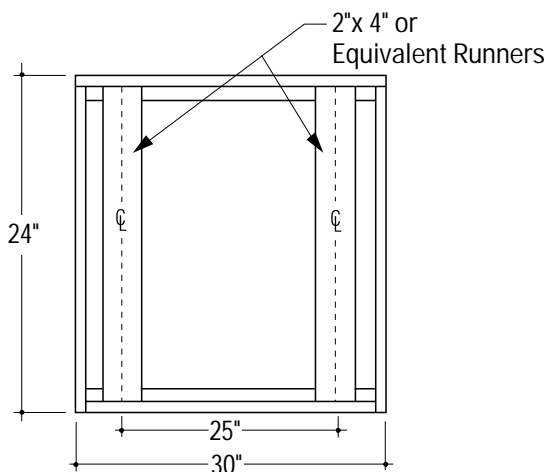
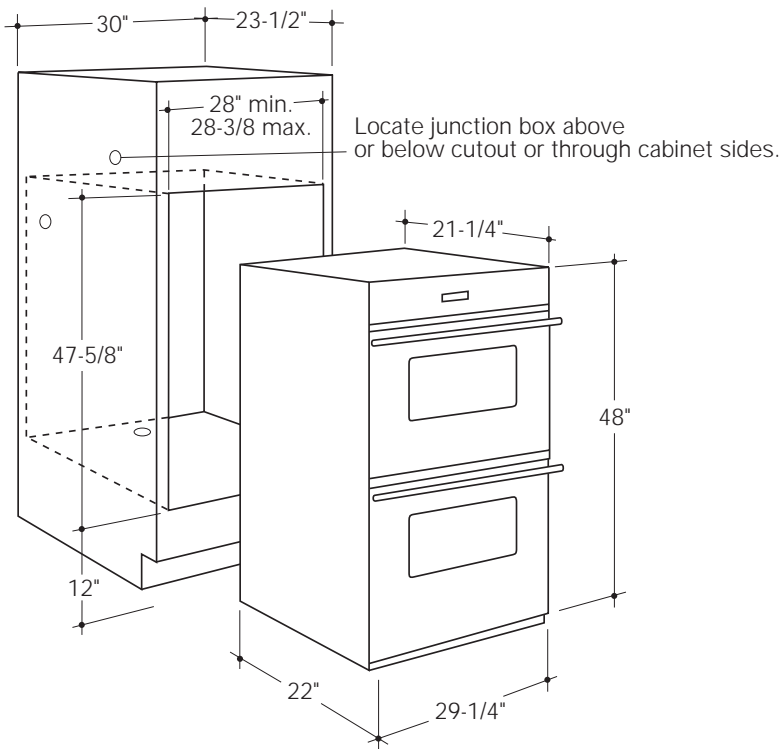




Monogram™

ZET857DBSB - GE Monogram™ 30" Double Convection Wall Oven

Dimensions and Specifications (in inches)



Cutout Dimensions:

Height 47-5/8" min.

47-3/4" max.

Width 28" min.

28-3/8" max.

Depth 23-1/2" min.

Cabinet depth required from front frame to inside rear cabinet wall.

*Most 30" wall cabinets can be used with this unit.

The opening between the inside walls must be at least 28" wide.

Allow minimum of 17-3/4" for clearance to adjacent corners, drawers, walls, etc., when door is opened.

Allow 3/4" for overlap of oven over side edges of cutout.

Allow 1" for overlap and clearance of oven over top of cutout and allow 1/4" at bottom for clearance.

Installation Information:

Before installing, consult installation instructions, packed with the product, for current dimensional data and for alternate installation options.

Monogram Built-In Convection Double Ovens require a separate, properly grounded 3-wire 208/120 or 240/120 volt, 60Hz power supply, protected by a time delay fuse or circuit breaker. Ovens are supplied with a flexible power cable.

Convection double ovens are rated at 6.5 KW at 240 volts and 5.6 KW at 208 volts.

For answers to your Monogram®, GE Profile Performance Series™, GE Profile™ or GE appliance questions, call GE Answer Center® service, 800.626.2000.

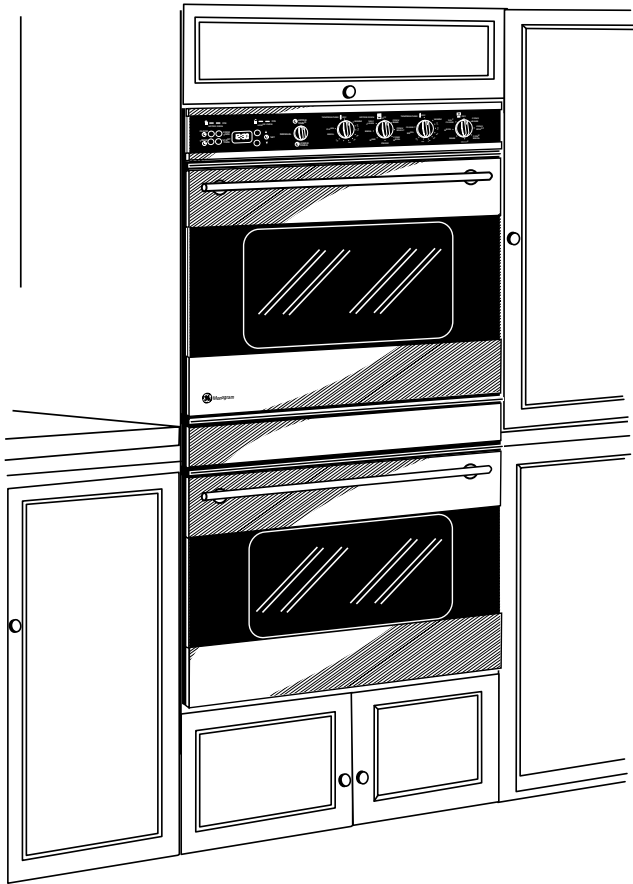


Listed by Underwriters Laboratories



Monogram™

ZET857DBSB - GE Monogram™ 30" Double Convection Wall Oven



Features and Benefits

- Convection Self-Cleaning Ovens
- Electronic Clock and Kitchen Timer
- Convection Bake and Convection Roast
- Convection Broil
- Bread Proofing Mode
- Timed Cooking
- Concealed Bake Element
- 3,000-Watt Variable Broil with Twelve-Pass Broil Element
- Porcelain-Enameled Broiler Pan with Chrome-Plated Grid
- Self-Clean Delay Option with Automatic Door Lock
- 3 Removable Racks and 4 Rack Positions (each oven)
- Convection Roasting Rack and Convection Floor Rack
- Preheat Light
- Frameless Glass Oven Door
- Tubular Stainless Steel Handle
- 30" Oven Cabinet Width Required
- Model ZET857WBWW - White on white
- Model ZET857BBBB - Black on black
- Model ZET857SBSS - Stainless steel
- Model ZET857DBSB - Stainless steel on black

Free Manuals Download Website

<http://myh66.com>

<http://usermanuals.us>

<http://www.somanuals.com>

<http://www.4manuals.cc>

<http://www.manual-lib.com>

<http://www.404manual.com>

<http://www.luxmanual.com>

<http://aubethermostatmanual.com>

Golf course search by state

<http://golfingnear.com>

Email search by domain

<http://emailbydomain.com>

Auto manuals search

<http://auto.somanuals.com>

TV manuals search

<http://tv.somanuals.com>