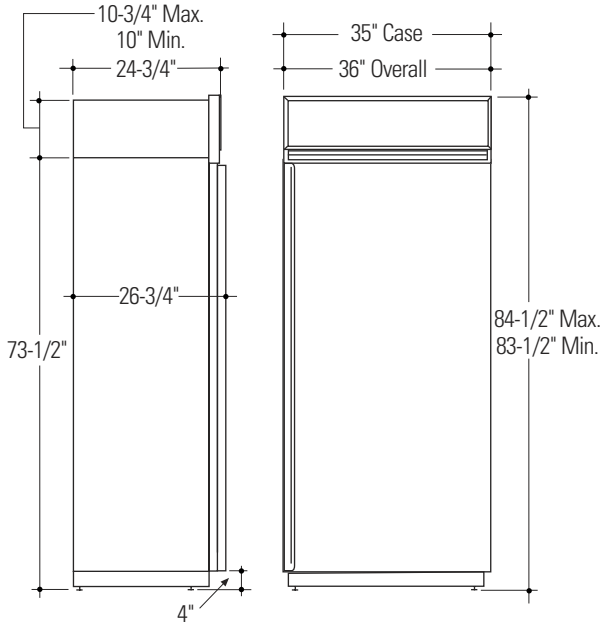




Monogram.

ZIFS36NM – GE Monogram 36" Built-In Stainless Steel All-Freezer

Enclosure Cutout and Product Dimensions (in inches)



ZIFS36NMRH, Freezer

Handle on the left side, the door swings left to right.

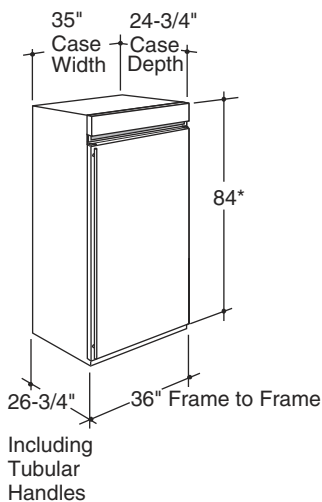
ZIFS36NMLH, Freezer

Handle on the right side, the door swings right to left.

Caution

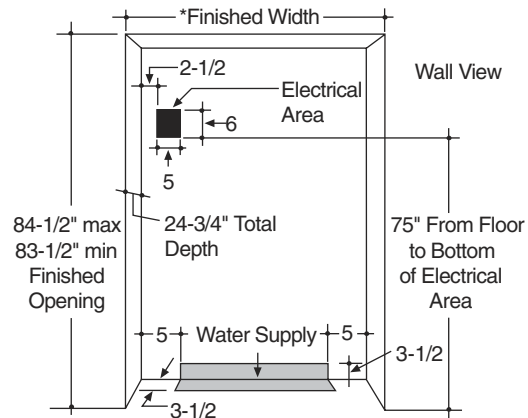
Refrigerators are much heavier at the top than at the bottom – be extra careful when moving.

- To achieve a flush fit, the finished cutout width must be at least 36" wide.
- In a semi-flush installation, the finished cutout must be 35-1/2".
- The electrical and water locations must be located as shown for either type of installation.



*Shipped at 84" installation height. Can be adjusted to 83-1/2" or 84-1/2" with Grille Panel Kits.

**Specification Revised 4/05
110154**



*36" for a flush installation.

35-1/2" Min. for a semi-flush installation.

Note: Additional cutout width may be required when side panels are used. Add side panel thickness to the finished cutout to calculate rough-in width. See installation examples on the following page.



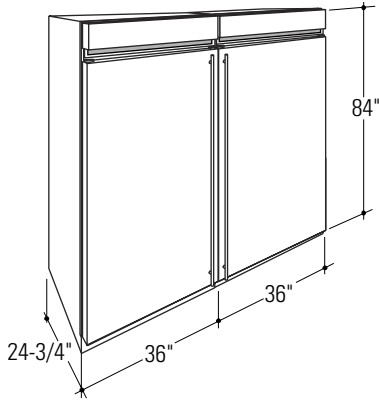
Listed by
Underwriters
Laboratories

For answers to your Monogram® GE Profile™ or GE appliance questions, visit our website at GEAppliances.com or call GE Answer Center® service, 800.626.2000.



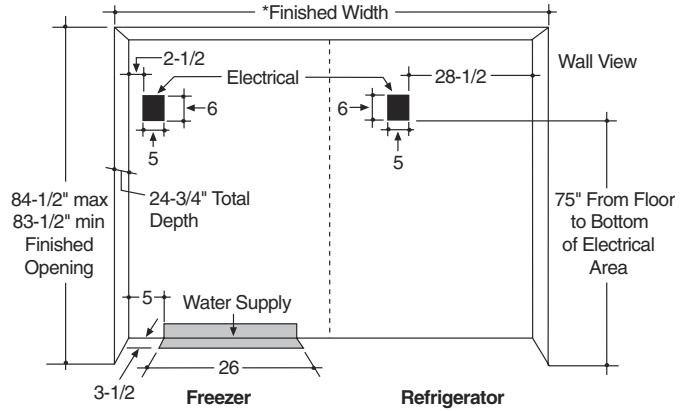
Monogram.

Side-By-Side Installation of Freezer and Refrigerator



For a complete food storage center, install a Monogram Freezer and Refrigerator side-by-side. For even more capacity, install two refrigerators and/or two freezers.

- Order ZUGSS Unified Grille Panel Kit for one continuous stainless steel grille panel.
- The electrical and water locations must be located as shown for either type of installation. A separate 115V, 60Hz., 20 amp power supply is recommended for each product.



*72" min. for a flush installation
71-1/2" min. for a semi-flush installation

Note: Additional cutout width may be required when side panels are used. Add side panel thickness to the finished cutout to calculate rough-in width.

**Specification Revised 4/05
110154**



Listed by
Underwriters
Laboratories

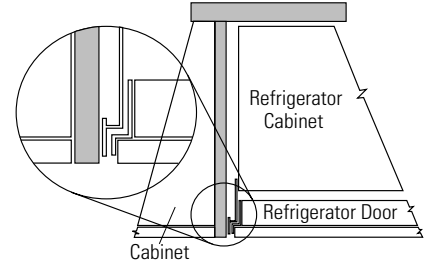
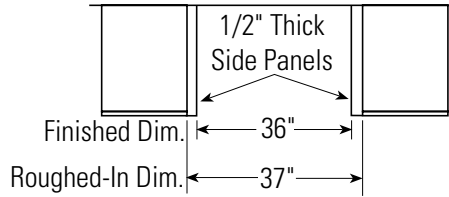
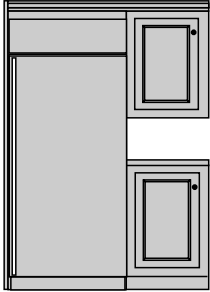
For answers to your Monogram,® GE Profile™ or GE appliance questions, visit our website at GEAppliances.com or call GE Answer Center® service, 800.626.2000.



Monogram.

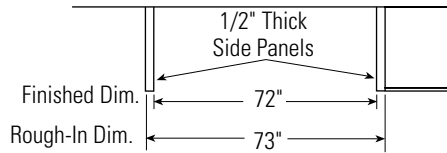
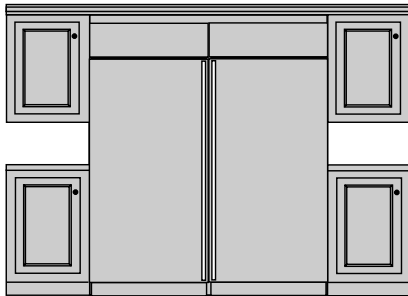
ZIFS36NM – GE Monogram 36" Built-In Stainless Steel All-Freezer

Installation at End of Run



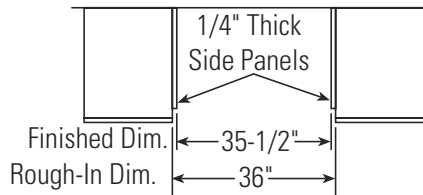
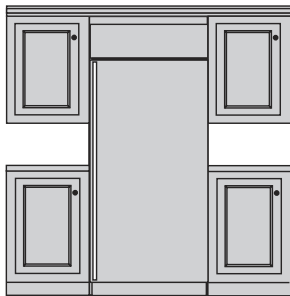
Note: 1/2" thick side panels shown. Side panels can be any thickness. Add side panel thickness to outside trim width (36" or 72" for two models) to calculate the rough-in dimension. The leading (front) edge must be finished to match surrounding cabinetry.

Refrigerator or Freezer

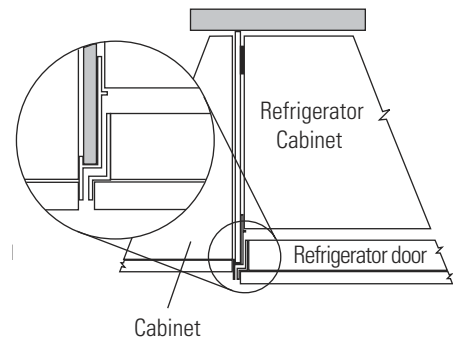


Refrigerator and Freezer installed side-by-side

Installation between base and wall cabinets



NOTE: 1/4" thick side panels can be inserted into the case trim, making the rough-in the same as the outside trim width: 36".



Refrigerator or Freezer

Specification Revised 4/05
110154



Listed by
Underwriters
Laboratories

For answers to your Monogram[®] GE Profile[™] or GE appliance questions, visit our website at GEAppliances.com or call GE Answer Center[®] service, 800.626.2000.



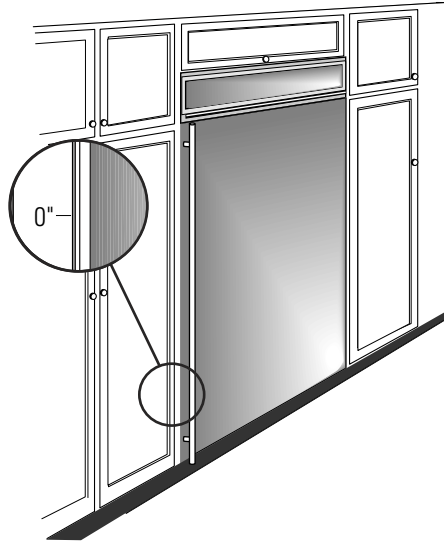
Monogram.

ZIFS36NM – GE Monogram 36" Built-In Stainless Steel All-Freezer

Design Information

Flush or Semi-Flush Enclosure Installation

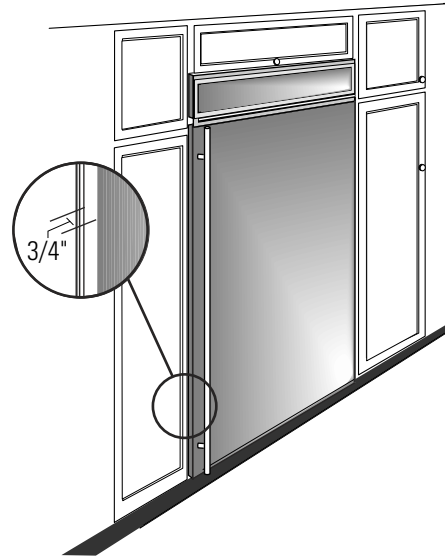
True Flush Installations



True Flush Installation

In a flush installation, the refrigerator door will align evenly with the front face of adjacent cabinet doors. The refrigerator blends into the surrounding cabinetry.

Semi-Flush Installation



Semi-Flush Installation

These refrigerators can also be installed semi-flush into an enclosure using the minimum cutout width. The case trim creates a frame around the opening.

Monogram built-in refrigerators and freezers can be installed flush with typical 24-3/4" deep cabinetry.

When installed semi-flush, the case trim will conceal slight gaps around the enclosure. The refrigerator will project forward approximately 3/4" beyond the front face of surrounding cabinetry.

Side Panels Requirements:

- Side panels are not required whenever the refrigerator or freezer is installed into an enclosure or between pantry and oven cabinets.
- Side panels are required whenever the sides of the product are exposed.
- Side panel sizes vary depending on the type of installation being made.

To accomplish an attractive installation, you must:

1. Determine the need for side panels.
2. Determine side panel thickness.
3. Order matching side panels from the cabinet manufacturer.
Be sure to provide the exact dimensions.

**Specification Revised 4/05
110154**



Listed by
Underwriters
Laboratories

For answers to your Monogram®, GE Profile™ or GE appliance questions, visit our website at GEAppliances.com or call GE Answer Center® service, 800.626.2000.



Monogram.

ZIFS36NM – GE Monogram 36" Built-In Stainless Steel All-Freezer

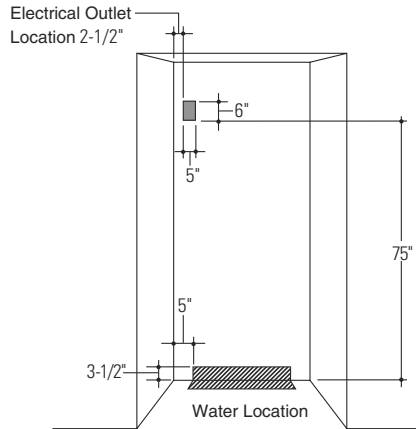
Electrical and Water Connection Locations

The water line can be routed through the floor or back wall.

- The icemaker water line should be:
 - Approximately 3-1/2" from the floor on the back wall, or 3-1/2" from the back wall on the floor.
 - At least 5" from either side of the opening.

A 115 volt, 60 Hz. 15 or 20 amp power supply is recommended. An individual properly grounded branch circuit or circuit breaker is recommended, as noted on the rating plate.

- Locate the electrical outlet within 5" x 7" shaded area shown.
 - 2-1/2" from the left side.
 - Between 74" and 81" from the floor.



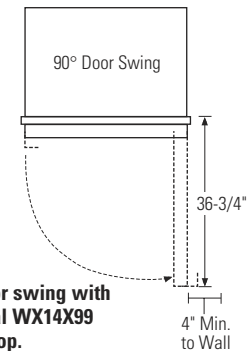
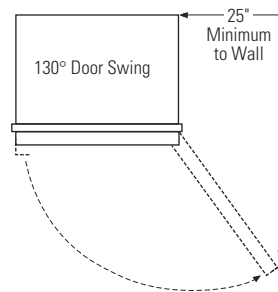
Important: To insure a flush fit and access to the power cord, locate the electrical outlet as shown.

Clearances

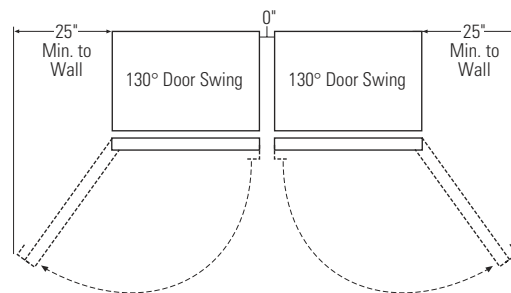
- Factory set for a 130° door swing. Order WX14X99 adjustable door stop to reduce swing to as little as 90°.

When Installed into a corner:

Allow 25" for a full 130° door swing. Allow 15" for pan removal. Allow 4" min. clearance when door swing is adjusted to a 90° opening for pan access, but pan removal is restricted.



When installing an All-Refrigerator and All-Freezer side-by-side, allow 25" for a full 130° door swing, or 15" min. on the hinge sides for pan access.



Accessory Grille Panel Kits

These models are factory set for 84" installation height. Adjustments to 83-1/2" or 84-1/2" heights can be made by changing the grille panel. Order ZGCSS36RH (right hand) or ZGCSS36LH (left hand) Grille Panel Kit. These kits include 2 grille panels, for 83-1/2" and 84-1/2" installation heights.

ZUGSS Unified Grille Panel Kit is available for side-by-side installations. See Trim Kit descriptions.

ZUGSS Unified Grille Panel Kit

For side by side installation, order ZUGSS Grille Panel Kit. This kit provides one continuous panel to span the width of two products installed together for a unified appearance.

**Specification Revised 4/05
110154**



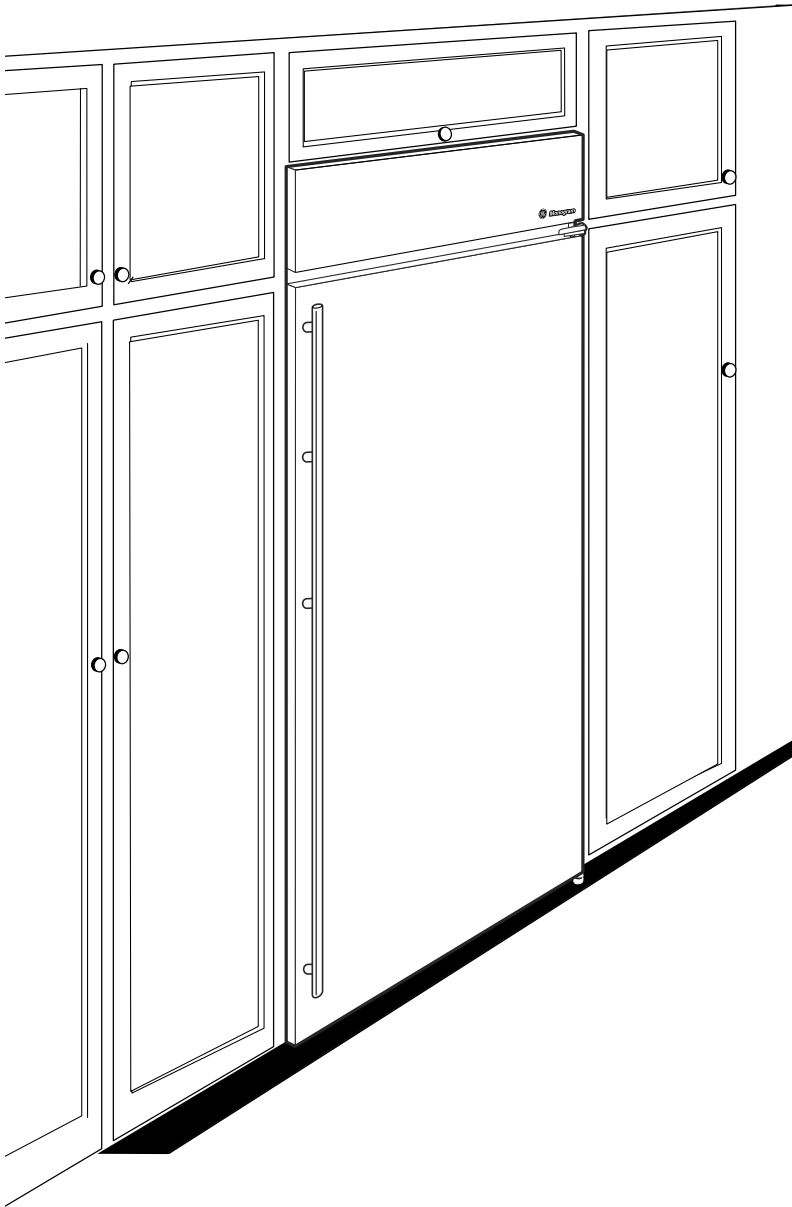
Listed by
Underwriters
Laboratories

For answers to your Monogram®, GE Profile™ or GE appliance questions, visit our website at GEAppliances.com or call GE Answer Center® service, 800.626.2000.



Monogram.

ZIFS36NM – GE Monogram 36" Built-In Stainless Steel All-Freezer



Features and Benefits

- 21.9 Cu. Ft. Freezer Capacity
- Wire Freezer Shelves (5 Adjustable, 1 Fixed, 1 Full-Width Fixed)
- Wire Baskets with Full-Extension Slides (2 Regular, 4 Large)
- 2 Extra Large Wire Baskets with Easy Access Lid and Full Extension
- 8 Door Bins and Gallon Storage
- Automatic Defrost Sealed System Design
- Full Extension Slides
- Model ZIFS36NMRH – Stainless steel wrap (right-handed door swing)
- Model ZIFS36NMLH – Stainless steel wrap (left-handed door swing)

Specification Revised 4/05
110154

Free Manuals Download Website

<http://myh66.com>

<http://usermanuals.us>

<http://www.somanuals.com>

<http://www.4manuals.cc>

<http://www.manual-lib.com>

<http://www.404manual.com>

<http://www.luxmanual.com>

<http://aubethermostatmanual.com>

Golf course search by state

<http://golfingnear.com>

Email search by domain

<http://emailbydomain.com>

Auto manuals search

<http://auto.somanuals.com>

TV manuals search

<http://tv.somanuals.com>