

GE Monogram®

Installation

Instructions

Professional Vent Hoods

48" Models

ZV881WSS, ZV891YSS

ZV880WSS, ZV890YSS

36" Models

ZV671WSS, ZV681YSS

ZV670WSS, ZV680YSS

30" Models

ZV370YSS,

ZV371YSS

Before you begin—Read these instructions completely and carefully.

IMPORTANT: Save these instructions for local inspector's use.

IMPORTANT: OBSERVE ALL GOVERNING CODES AND ORDINANCES.

NOTE TO INSTALLER: Be sure to leave these instructions with the Consumer.

NOTE TO CONSUMER: Keep these instructions with your Use and Care Book for future reference.

⚠ WARNING This appliance must be properly grounded. See "Electrical Supply", page 5.

If you have questions concerning the installation of this product, call the GE Answer Center® Consumer Information Service at 800.626.2000, 24 hours a day, 7 days a week.

If you received a damaged vent hood, you should contact your dealer.

CAUTION!

Due to the weight and size of these vent hoods and to reduce the risk of personal injury or damage to the product, **TWO PEOPLE ARE REQUIRED FOR PROPER INSTALLATION.**

WARNING!

To reduce the risk of fire or electric shock, do not use this range hood with any external solid-state speed control device. Any such alteration from original factory wiring could result in damage to the unit and/or create an electrical safety hazard.

To reduce the risk of fire and to properly exhaust air, be sure to duct air outdoors. Do not vent exhaust air into spaces within walls or ceilings or into attics, crawl spaces or garages.

WARNING: TO REDUCE THE RISK OF FIRE, USE ONLY METAL DUCTWORK.

TO REDUCE THE RISK OF FIRE, ELECTRIC SHOCK OR INJURY TO PERSONS, OBSERVE THE FOLLOWING:

A. Use this unit only in the manner intended by the manufacturer. If you have any questions, contact the manufacturer.

B. Before servicing or cleaning unit, switch power off at service panel and lock service panel to prevent power from being switched on accidentally.

For general ventilating use only. Do not use to exhaust hazardous or explosive materials and vapors.

Installation work and electrical wiring must be done by qualified person(s). In accordance with all applicable codes and standards including fire-rated construction.

Sufficient air is needed for proper combustion and exhausting of gases through the flue (chimney) of fuel burning equipment to prevent back drafting. Follow the heating equipment manufacturer's guideline and safety standards such as those published by the National Fire Protection Association (NFPA), and the American Society for Heating, Refrigeration and Air Conditioning Engineers (ASHRAE), and the local code authorities.

Contents

Design Information

Models available	3
Product Dimensions & Clearances	4
Advance Planning	5
Electrical Supply	5

Installation Preparation

Duct Fittings	6
Tools and Materials Required	7
Step 1: Remove the packaging and dis-assemble	7

Installation

Step 2: Check Installation Hardware	8
Step 3: Construct Soffit Framing	8
Step 3A: Construct Wall Mount Framing	9
Step 4: Install Hood Below Soffit	10
Step 4A: Install Hood Onto Wall	11
Step 5: Connect Electrical	12
Step 6: Connect Ductwork	12
Step 7: Reassemble Hood	12
Step 8: Install Duct Cover	13
Step 9: Install Filters	13

Design Information

Professional Vent Hoods

Models Available

These hoods can be installed into a soffit, or when there is no soffit, they can be installed directly onto a wall.

48" and 36" wide models are available with different appearances. Model numbers with "YSS" have straight sides. Model numbers ending with "WSS" have sides which taper inwards from the bottom to the top.

48" Wide Models:

ZV881WSS, ZV880WSS – with tapered sides
ZV891YSS, ZV890YSS – with straight sides

36" Wide Models:

ZV671WSS, ZV670WSS – with tapered sides
ZV681YSS, ZV680YSS – with straight sides

30" Wide Models:

ZV371YSS, ZV370YSS – with straight sides

Duct Cover Accessories

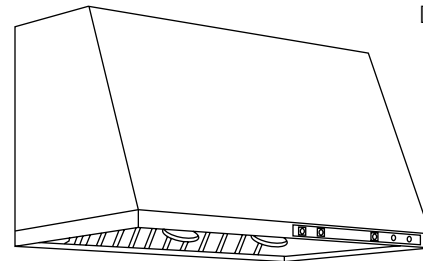
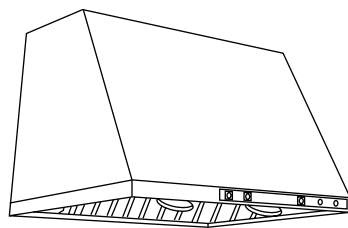
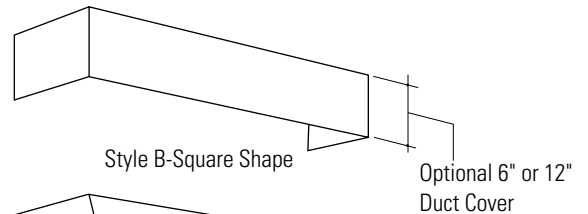
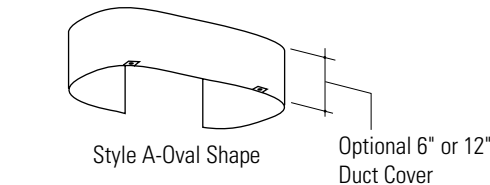
Before you begin:

Decorative duct covers are available in 6" or 12" heights. The duct covers conceal the ductwork running from the top of the hood to the ceiling or soffit. Before you begin, you

should determine the installation height of the hood and order the correct size duct cover.

Be sure to order the duct cover which corresponds to your model.

Optional Accessory Duct Covers					
Style	Hood Model	6" Duct Cover		12" Duct Cover	
A-Oval	ZV881WSS, ZV880WSS	ZX6DC48WSS	6"Hx27-3/8"Wx10-1/4"D	ZX12DC48WSS	12"Hx27-3/8"Wx10-1/4"D
A-Oval	ZV671WSS, ZV670WSS	ZX6DC36WSS	6"Hx22-1/2"Wx9-3/16"D	ZX12DC36WSS	12"Hx22-1/2"Wx9-3/16"D
B-Square	ZV891YSS, ZV890YSS	ZX6DC49YSS	6"Hx47-7/8"Wx12"D	ZX12DC49YSS	12"Hx47-7/8"Wx12"D
B-Square	ZV681YSS, ZV680YSS	ZX6DC38YSS	6"Hx35-7/8"Wx12"D	ZX12DC38YSS	12"Hx35-7/8"Wx12"D
B-Square	ZV371YSS, ZV370YSS	ZX6DC30YSS	6"Hx29-7/8"Wx12"D	ZX12DC30YSS	12"Hx29-7/8"Wx12"D

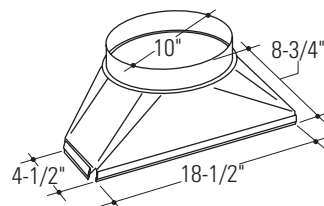


Duct covers for models:
ZV881WSS, ZV880WSS, ZV671WSS and
ZV670WSS.

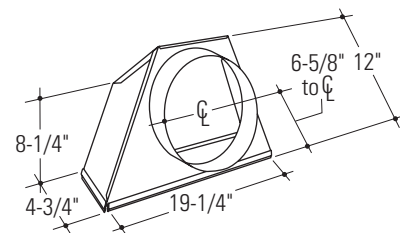
Duct covers for models:
ZV891YSS, ZV890YSS, ZV681YSS, ZV680YSS,
ZV371YSS and ZV370YSS.

Accessories (For 48" Wide Models Only)

Transition duct pieces are available for 48" wide models. These pieces fit over the outlet on top of the hood. These transition pieces fit into a soffit or when there is no soffit, a 12" duct cover should be used.



ZX48AY, transition to 10" round vertical exhaust.



ZX48BY, transition to 10" round for horizontal exhaust.

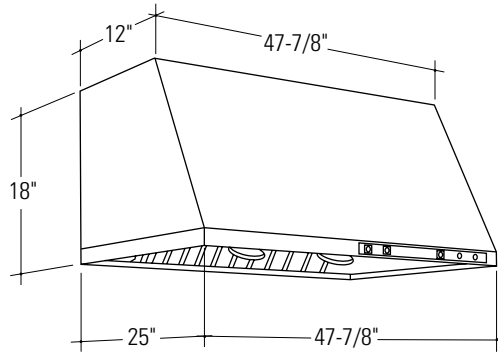
Design Information

Professional Vent Hoods

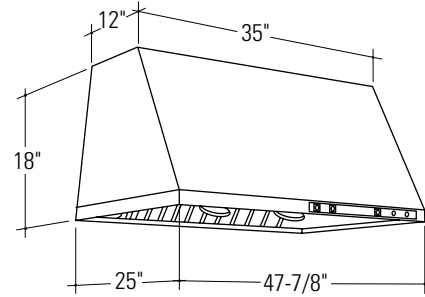
Product Dimensions & Clearances

These vent hoods must be installed 30" Min. and 36" Max. above the cooking surface. Installation will be easier if the vent hood is installed before the range or cooktop installation.

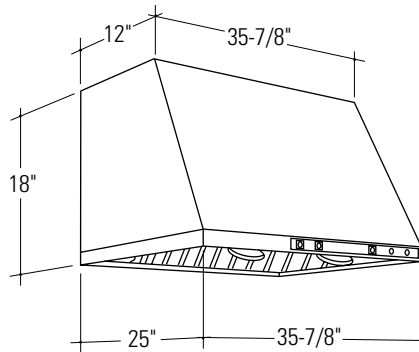
The rating plate is located behind filter cutouts. To verify your model number, remove filters.



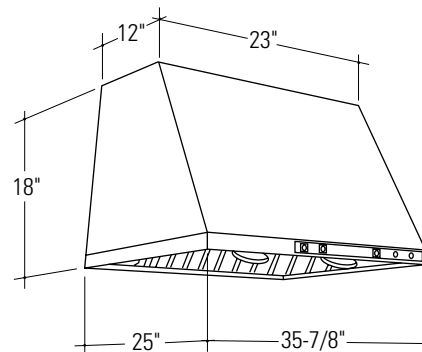
ZV891YSS, ZV890YSS



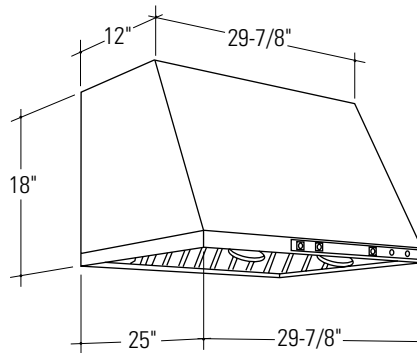
ZV881WSS, ZV880WSS



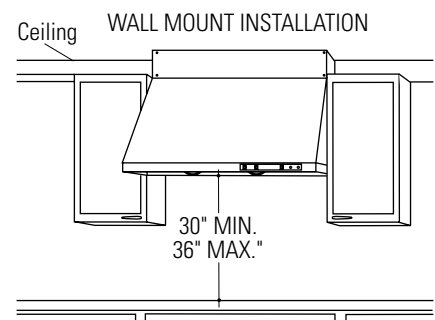
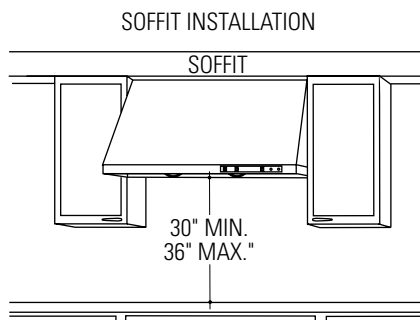
ZV681YSS, ZV680YSS



ZV671WSS, ZV670WSS



ZV371YSS, ZV370YSS



Advance Planning

Ductwork planning

- Determine the exact location of the vent hood.
- Plan the route for venting exhaust to the outdoors.
- Use the shortest and straightest duct route possible. For satisfactory performance, duct run should not exceed 100 feet equivalent length for any duct configurations.
- Refer to "Duct Fittings" chart to compute the maximum permissible length for duct runs to the outdoors. See page 6.
- Use metal ductwork. For 48" models, 3-1/4" x 24" or 10" round. For 30" and 36" models, 7" to 10" round or 3-1/4" x 12" to 3-1/4" x 24".
- Install a wall cap with damper or roof cap at the exterior opening.

Determine the size of the wall or roof cap for your model and installation.

- Order the caps and any transitions needed in advance. See "Duct and Duct Fittings" listed in your local yellow pages. Be sure to include equivalent lengths of caps and transitions when calculating the total duct run. See "Duct Fittings", page 6.

48" Wide Model Duct Transitions

- Transition duct pieces are available for 48" wide models. See illustrations of ZX48BY and ZX48AY transition pieces on page 3.

Installation Framing for adequate support

- These vent hoods are heavy. Adequate structural support must be provided. Hoods must be secured to vertical studs or to studs in the soffit.
- Additional studs may be required for a soffit or wall mount installation. See Step 3, pages 8 and 9.
 - We recommend that the vent hood and/or duct cover be on site before final framing and wall finishing. This will also help to accurately locate the ductwork and electrical service.
 - Installation will be much easier if the vent hood is installed before the range or cooktop below.

Decorative Duct Covers

Decorative duct covers are available for all models. The duct covers conceal the ductwork running from the top of the hood to the ceiling or soffit. Duct covers are available in 6" or 12" heights.

You should:

- Determine the installation height from the cooking surface.
 - 36" max., 30" min.
- Measure 18" hood height.
- Select 6" or 12" duct cover to meet ceiling or soffit height.

Electrical Supply



Warning, for Personal Safety:

Remove house fuse or open circuit breaker before beginning installation.

Do not use an extension cord or adapter plug with this appliance. Follow National electrical codes or prevailing local codes and ordinances.

Electrical supply

This vent hood must be supplied with 120V, 60Hz., and connected to an individual, properly grounded branch circuit, protected by a 15 or 20 ampere circuit breaker or time delay fuse.

- Wiring must be 2 wire with ground.
- If the electrical supply does not meet the above requirements, call a licensed electrician before proceeding.

- Connect the wiring to the house wiring in accordance with local codes.

House wiring location

- The junction box is located on the top of the hood. See illustrations, page 10 to determine exact placement.
- Route house wiring through the ceiling, soffit or back wall as close to the installation location as possible.

Grounding Instruction

This hood must be connected to a ground metal, permanent wiring system, or an equipment-grounding terminal or lead on the hood.



Warning: The improper connection of the equipment-grounding conductor can result in a risk of electric shock. Check with a qualified electrician or service representative if you are in doubt whether the appliance is properly grounded.

Installation Preparation

Professional Vent Hoods

Duct fittings

Use this chart to compute maximum permissible lengths for duct runs to outdoors.

Note: Do not exceed maximum permissible equivalent lengths!

Maximum duct length: 100 foot for range hoods.

Flexible ducting:
If flexible metal ducting is used, all the equivalent feet values in the table should be doubled. The flexible metal duct should be straight and smooth and extended as much as possible.

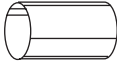
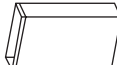



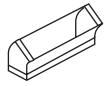






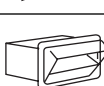
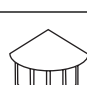
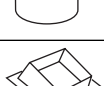
Do NOT use flexible plastic ducting.

Note: Any home ventilation system, such as a ventilation hood, may interrupt the proper flow of combustion air and exhaust required by fireplaces, gas furnaces, gas water heaters and other naturally vented systems. To minimize the chance of interruption of such naturally vented systems, follow the heating equipment manufacturer's guidelines and safety standards such as those published by NFPA and ASHRAE.

48" Hoods Must Use 10" Round Duct or 3-1/4" x 24"

Note: Outlet on top of 48" hood is 4-1/2" x 18-1/2".

30" and 36" Hoods May Use 7" to 10" Round, or 3-1/4" x 12" to 3-1/4" x 24"

Duct Piece	Dimensions	Equivalent Length*	Quantity Used	Total Equivalent Length
	Round, straight	1 ft. (per foot length)		
	3-1/4" x 12" or 3-1/4" x 24" straight	1 ft. (per foot length)		
	90° elbow	15 ft.		
	45° elbow	9 ft.		
	3-1/4" x 12" or 3-1/4" x 24" 90° elbow	15 ft.		
	3-1/4" x 12" or 3-1/4" x 24" 45° elbow	9 ft.		
	3-1/4" x 12" or 3-1/4" x 24" 90° flat elbow	20 ft.		
	7" round to 3-1/4" x 12" or 10" round to 3-1/4" x 24" transition	1 ft.		
	3-1/4" x 12" to 7" round or 3-1/4" x 24" to 10" round transition	5 ft.		
	7" round to 3-1/4" x 12" or 10" round to 3-1/4" x 24" transition 90° elbow	5 ft.		
	3-1/4" x 12" to 7" round or 3-1/4" x 24" to 10" round transition 90° elbow	15 ft.		
	Round wall cap with damper	30 ft.		
	3-1/4" x 12" or 3-1/4" x 24" wall cap with damper	30 ft.		
	Round roof cap	26 ft.		
	Round roof vent	24 ft.		

* Actual length of straight duct plus duct fitting equivalent. Equivalent length of duct pieces are based on actual tests conducted by GE Evaluation Engineering and reflect requirements for good venting performance with any ventilation hood.

Total Duct Run _____

Installation

Professional Vent Hoods

Tools & Materials Required (not supplied)

- Tape measure
- Spirit level
- Wire Cutter
- Wire stripper
- Electric drill and appropriate bits
- Torx screwdriver
- 120V 60Hz 15 or 20 Amp, 2 wire with ground. Properly grounded branch circuit.
- Metal ductwork, 3-1/4" x 24" or 10" round for 48" wide model. 7" to 10" round or 3-1/4" x 12" to 3-1/4" x 24" for 30" and 36" models.

Wall Mount Installation:

- Six, 5/16" lag screws, 2" long with washers, all models (provided).

Soffit Installation:

- Six, 5/16" lag screws, 2" long with washers, all models (provided).

Optional for wall mount installations: (See page 9)

- 48" x 18" plywood for 48" model,
- 36" x 18" plywood for 36" model,
- 30" x 18" plywood for 30" model.

Step 1 Remove the Packaging and Disassemble

- Cut and remove the plastic banding on the crate and one holding the parts box.
- Remove the top of the crate by backing out screws.
- Break-away crate sides.
- Remove the parts box and set aside.
- Remove plastic wrapping and padding.

For easier handling during installation, the hood can be separated into 3 assemblies. The hood is laying on its back, bolted to the skid in 4 locations.

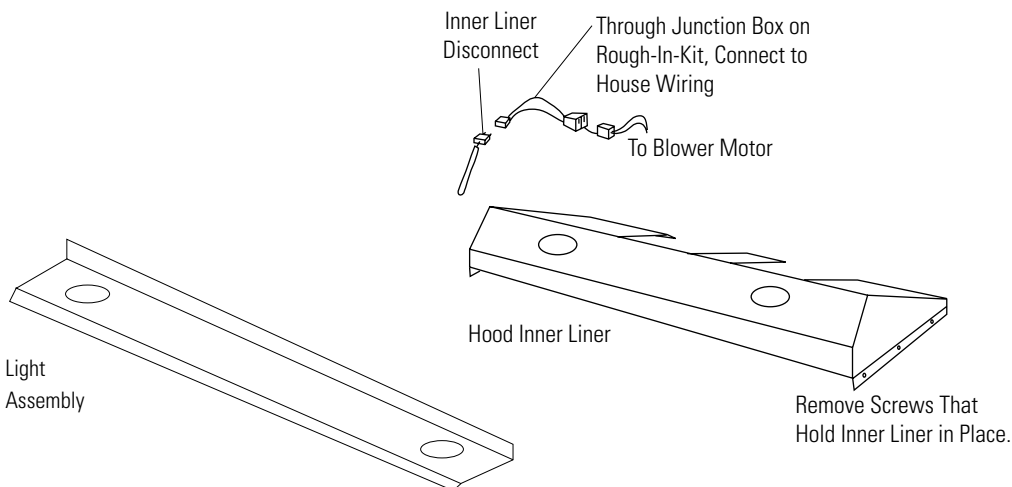
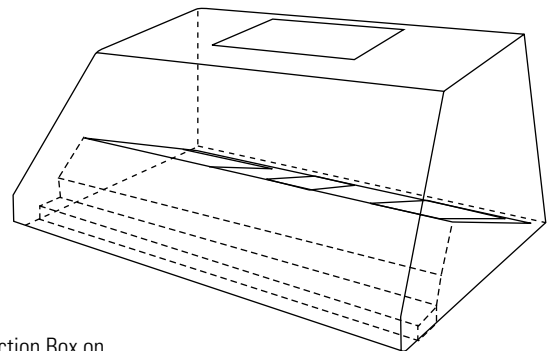
- Remove the assemblies shown for easier access to the hold-down bolts.
- Remove 8 screws located on the inside front. (30" models have fewer screws.) Lift off the halogen light assembly and disconnect the

male/female plug. Set aside.

- Remove 4 screws along inside front, 5 screws along the inside back and 3 screws on each side (30 and 36" models have fewer screws). Remove the inner liner, disconnect the male/female plugs, one to the heat lamp and one to the blower. Set aside.

CAUTION: Control panel is held in place with set screws and may fall out when inner liner is removed.

- Remove the 4 bolts holding the hood to the skid.

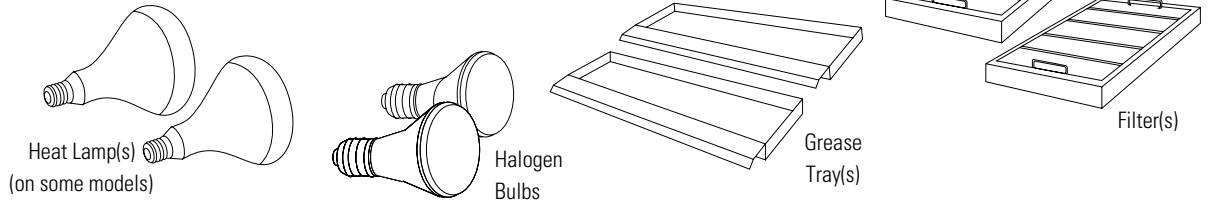


Installation

Professional Vent Hoods

Step 2 Check Installation Hardware

Locate the hardware accessory box packed with range hood and check contents.

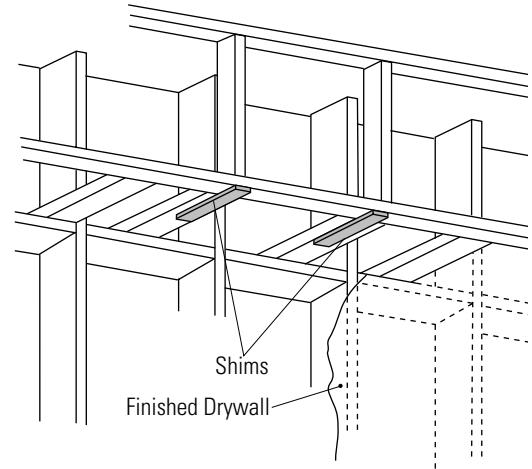


Step 3 Construct Soffit Framing

We recommend that the vent hood and/or duct cover be on site before final framing and wall finishing to more accurately locate the ductwork and electrical service.

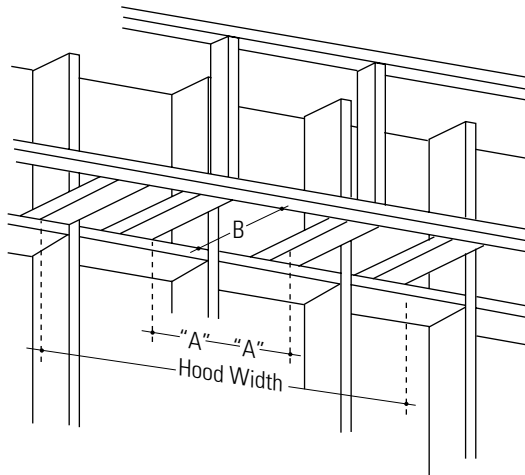
NOTE: If the top of the installation location does not meet the soffit, use a 6" or 12" duct cover accessory to conceal the duct run.

- The soffit should be constructed with 2x4's.
- Determine the installation location.



- Cut 2 wood shims, 2" x 10" X (drywall thickness). Secure to the bottom of the horizontal studs, flush with the front, as illustrated. NOTE: If drywall is present, cutaway enough to expose studs.

**INSTALLATION
UNDER A SOFFIT
(SKIP THIS STEP
IF SOFFIT IS NOT
USED.)**



	"A" Centerline to Stud Inner Edge	"B" Opening Depth for Ductwork
48" Models	11-1/4"	10" Min.
36" Models	8-3/4"	7" Min.
30" Models	10-11/16"	7" Min.

- Refer to step 4 for mounting screw locations.
- Mark the centerline of the installation.
- Add additional 2 x 4 studs at the locations illustrated.
- For 48" models, allow 10" deep minimum opening below the soffit to accommodate ductwork. For 30" and 36" models, allow 7" deep minimum opening.

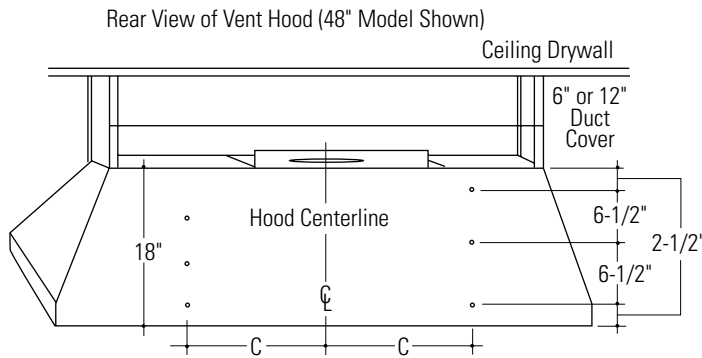
Step 3A Construct Wall Mount Framing

**WALL MOUNT
INSTALLATION
(SKIP THESE
STEPS IF SOFFIT
IS USED.)**

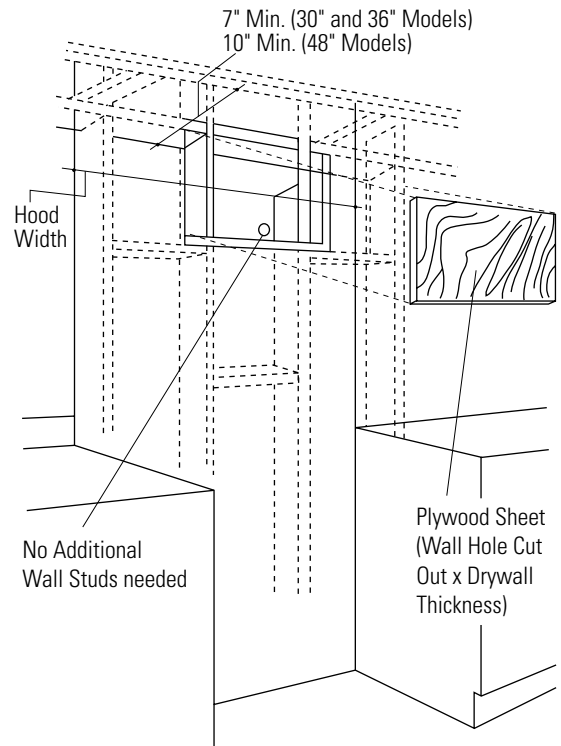
NOTE: A decorative duct cover is available for wall mount installations. The duct cover conceals the duct run from the top of the hood to the ceiling. Choose the 6" or 12" cover based upon installation height of the vent hood.

We recommend that the vent hood and decorative duct cover be on site before final framing and wall finishing in order to accurately locate the ductwork and electrical service.

- Determine the location for installation.
- Mark the centerline of the installation.



"C" – Hood Centerline
 13" for 48" wide models
 9" for 36" wide models
 8-15/16" for 30" wide models

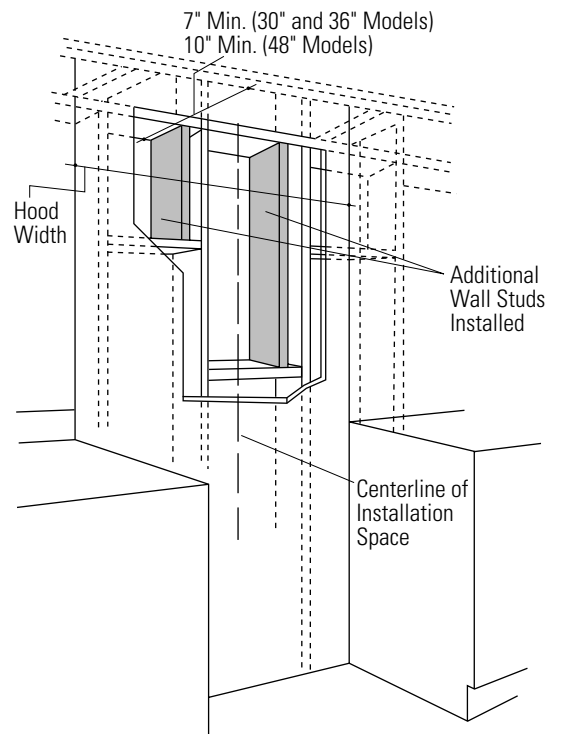


Cut a sheet of plywood, 48" wide (or 36" wide) and 18" high. If drywall is installed, cut away enough to expose 2 vertical studs, 1 on each side of the cutout. Secure the plywood to the studs.

OR

If drywall is installed, cut away enough to expose 2 vertical studs.

- Install additional aligning wall studs as illustrated.



Installation

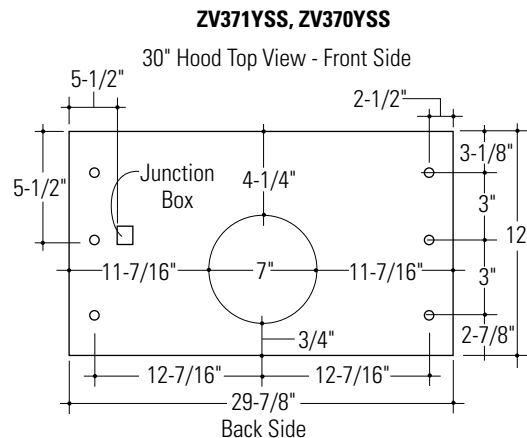
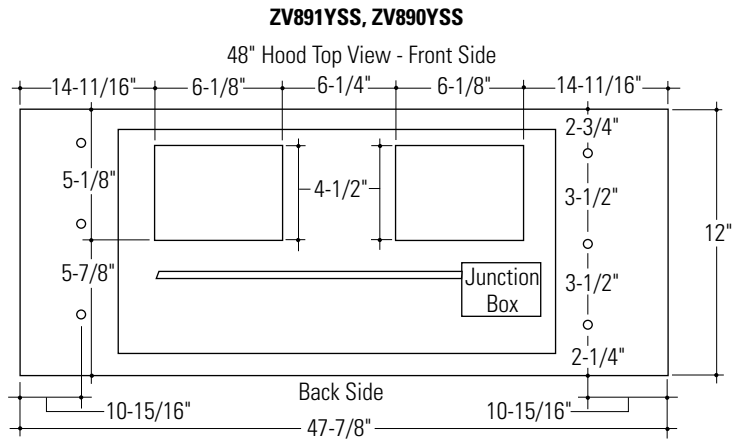
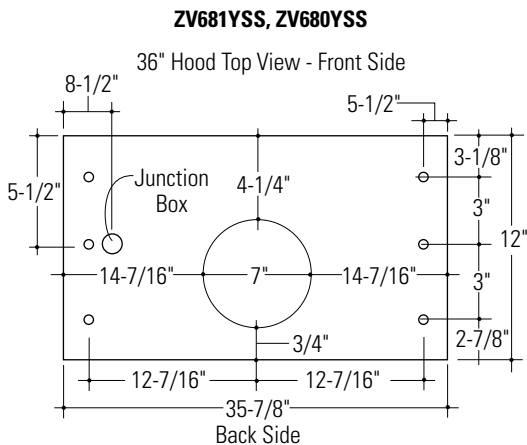
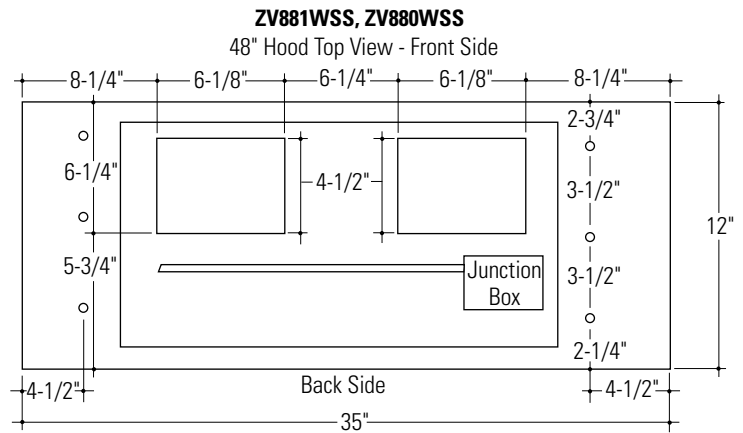
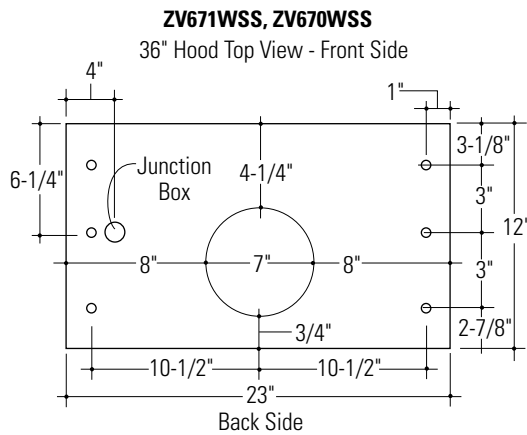
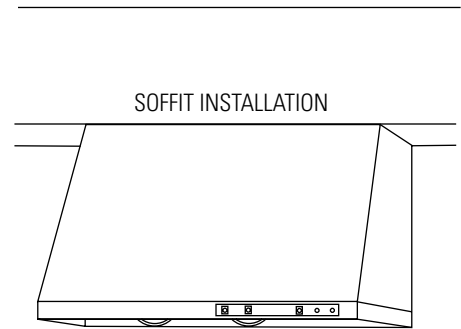
Professional Vent Hoods

Step 4

Install Hood Below Soffit

INSTALLATION UNDER A SOFFIT (SKIP THIS STEP IF SOFFIT IS NOT USED.)

- Drill 3/16" pilot holes through the shims and into the soffit studs.
- Hold the hood against the soffit and secure with 6 lag screws with washers.
- For additional support and to minimize vibration during operation, we recommend that the hood be secured to the back wall.
- Drive lag screws through the rear panel of the hood and into the wall studs.



Installation

Professional Vent Hoods

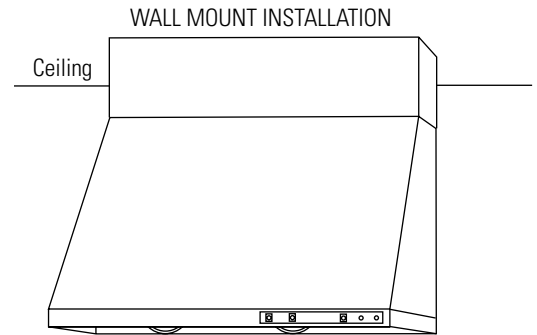
Step **4A**
**Install Hood
 Onto Wall**

**WALL MOUNT
 INSTALLATION
 (SKIP THESE
 STEPS IF SOFFIT
 IS USED.)**

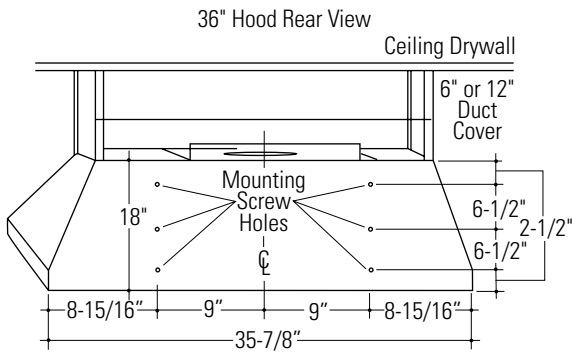
- Drill 3/16" pilot holes, approximately 1-1/2" deep, in all mounting screw locations.
- Hold the hood in position and drive lag screws in top left and right mounting holes.

NOTE: 5/16" hanger bolts can be used in the two top locations. Place the hood onto the hanger bolts and secure with nuts and washers.

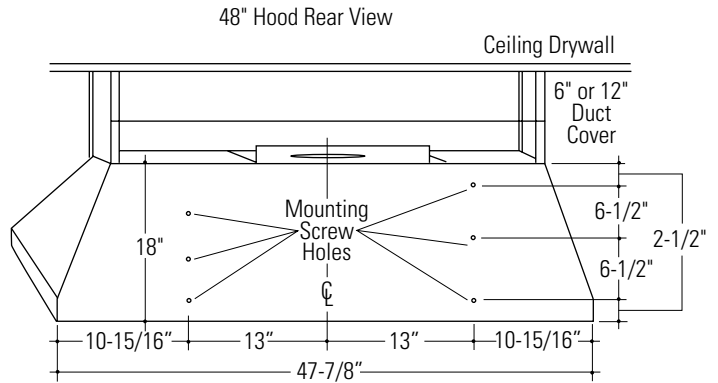
- Install lag screws with washers in remaining mounting holes.



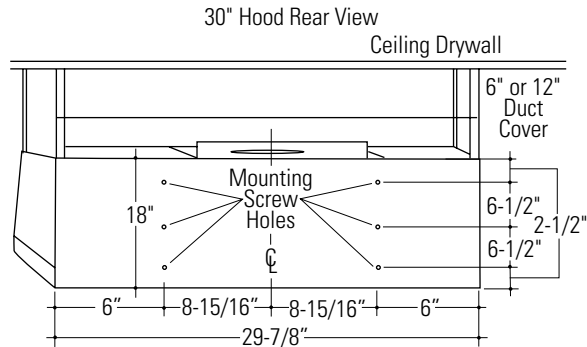
ZV671WSS, ZV670WSS, ZV681YSS, ZV680YSS



ZV881WSS, ZV880WSS, ZV891YSS, ZV890YSS



ZV371YSS, ZV370YSS



Installation

Professional Vent Hoods

Step 5 Connect Electrical

Verify that power is turned off at the source.



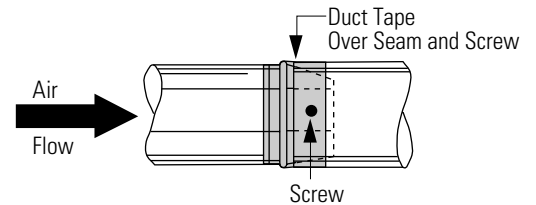
WARNING
If house wiring is not 2-wire with a ground wire, a ground must be provided by the installer. When house wiring is aluminum, be sure to use U.L. approved anti-oxidant compound and aluminum-to-copper connectors.

- Connect white lead to branch circuit white lead.
- Connect black lead to branch circuit black lead.
- Connect green lead to branch circuit green or bare ground lead.
- Secure all connections with wire nuts on each electrical connector.

Step 6 Connect Ductwork

Cut a length of duct to connect hood flange to the ductwork.

- Install ductwork, making connections in direction of airflow as illustrated.
- Secure joints in ductwork with sheetmetal screws.
- Wrap joints with duct tape for airtight seal.



Transition duct pieces are available for 48" wide models.

ZX48AY, 4-1/2" x 18-1/2" transition to 10" round straight up exhaust.

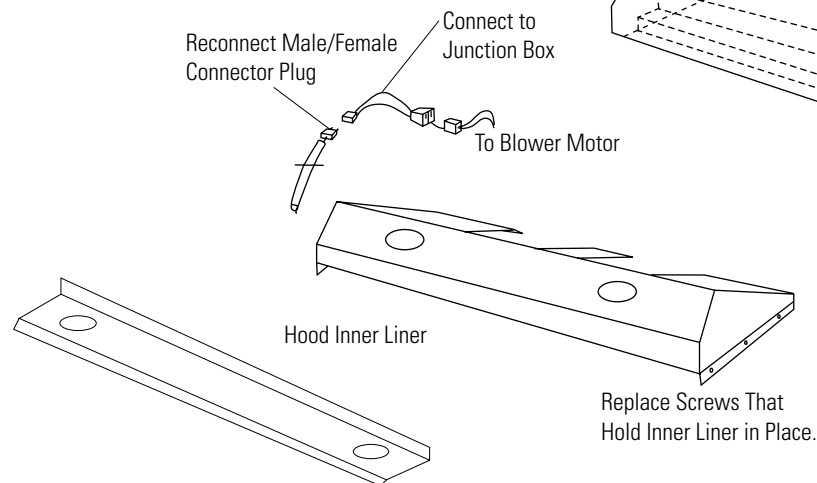
ZX48BY, 4-1/2" x 18-1/2" transition to 10" round direct to rear exhaust.

Call your GE Dealer to order.

Step 7 Reassemble Hood

Hold the liner below the installed hood.

- Reconnect the male/female connector plug to heat lamp and one to blower.
- Carefully, slide liner into installed hood.
- While holding in place, re-install the original screws. Make sure that all screws have been re-installed.
- Re-install light assembly with original screws.

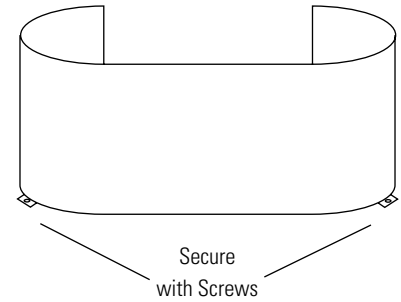


Step 8

Install Duct Cover

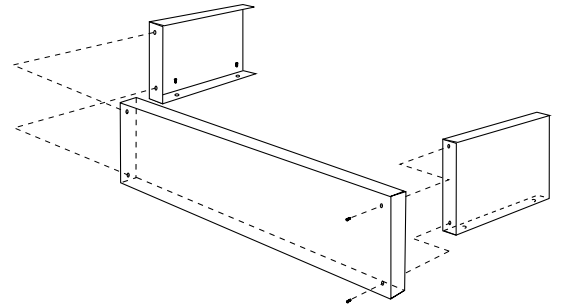
“WSS” Duct Covers

- Fasten the duct cover to the top of the hood with 2 screws.



“YSS” Duct Covers

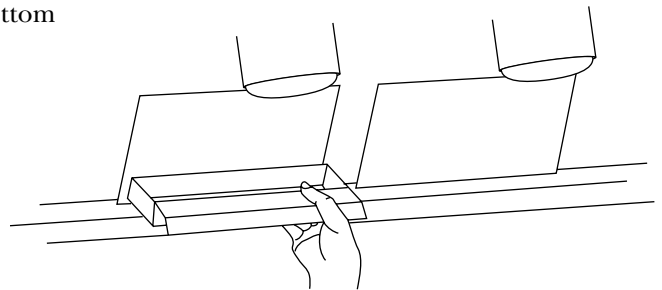
- Install one side piece to the top of the hood with 2 screws. Install opposite side piece.
- Secure front panel to the side panels with 2 torx screws on each side (provided).



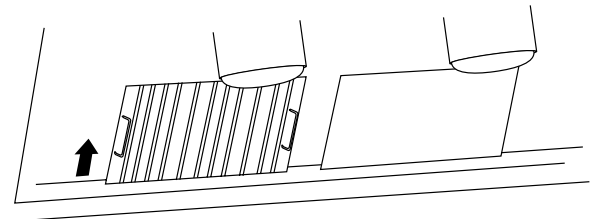
Step 9

Install Filters

- Place the filter drip trays into the bottom of the opening.



- Grasp the filter by handles, tip the top portion into the opening, move upwards and drop into drip trays.



Note: While performing installations described in this book, safety glasses or goggles should be worn.

To obtain specific information concerning any Monogram product or service, call GE Answer Center[®] consumer information service at 800.626.2000—any time, day or night.

For Monogram local service in your area, call 1-800-444-1845.

NOTE: Product improvement is a continuing endeavor at General Electric. Therefore, materials, appearance and specifications are subject to change without notice.

Pub. No. 49-8816-1
Dwg. No. 164D3333P060
© 1999 GE Appliances
(N.D. 173) 5/99
10657-1



General Electric Company
Louisville, KY 40225

Free Manuals Download Website

<http://myh66.com>

<http://usermanuals.us>

<http://www.somanuals.com>

<http://www.4manuals.cc>

<http://www.manual-lib.com>

<http://www.404manual.com>

<http://www.luxmanual.com>

<http://aubethermostatmanual.com>

Golf course search by state

<http://golfingnear.com>

Email search by domain

<http://emailbydomain.com>

Auto manuals search

<http://auto.somanuals.com>

TV manuals search

<http://tv.somanuals.com>