

# GE Monogram® Assembly Instructions

**27" Outdoor Cooking Center  
Grill Cart  
Model ZX27CTYSS**

Before you Begin – Read these instructions completely and carefully.

Note To Installer: Be sure to leave these instructions with the Consumer.

Note to Consumer: Keep these instructions with your Use and Care Book for future reference.

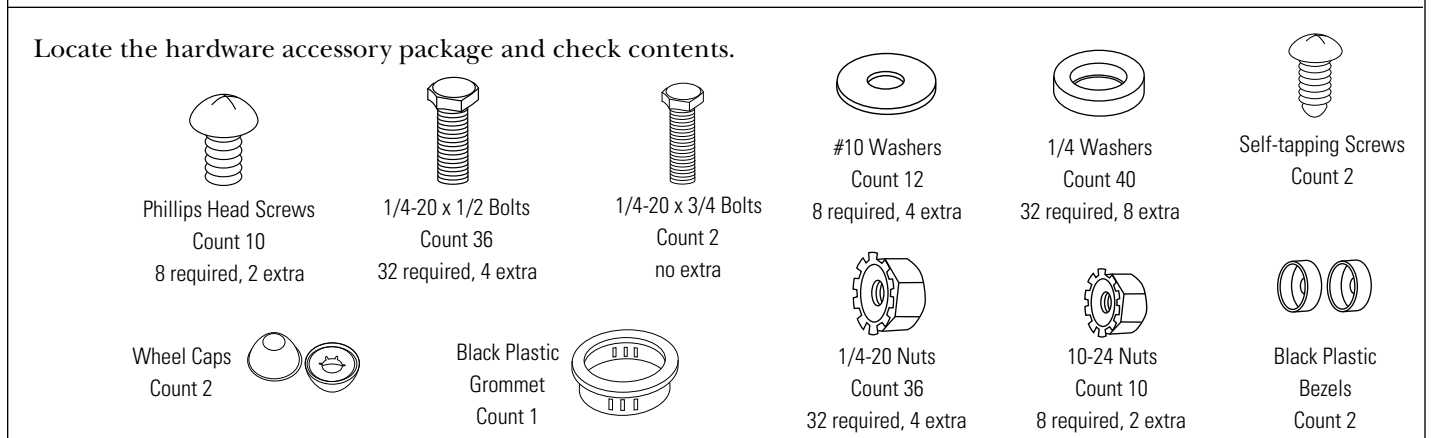
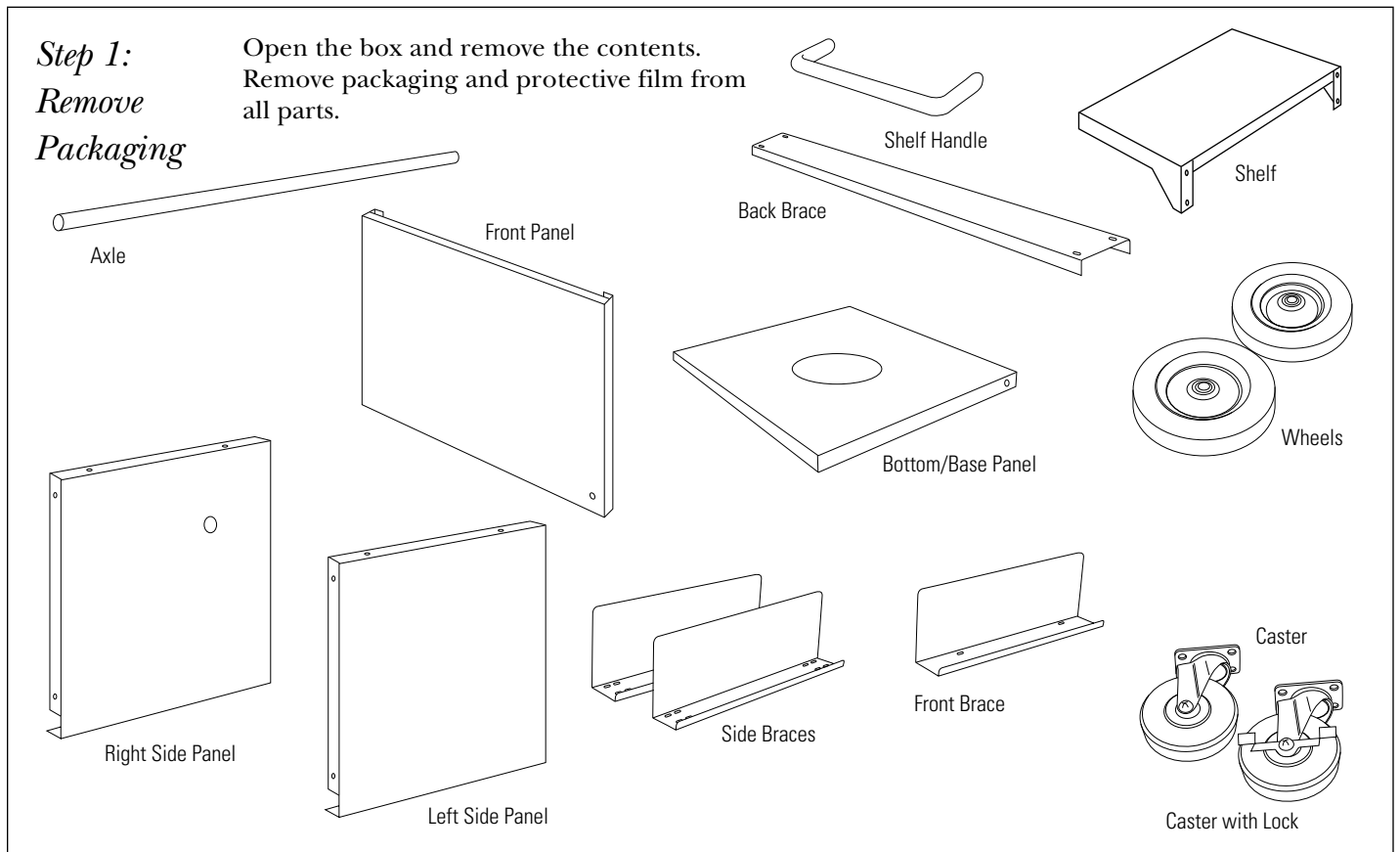
If you have questions concerning the installation of this product, call the GE Answer Center® Consumer Information Service at 800.626.2000, 24 hours a day, 7 days a week.

If you received a damaged Grill Cart, you should contact your dealer.

Assembly of this grill cart requires basic mechanical skills. Proper assembly is the responsibility of the installer.

**NOTE:**

This cart must be completely assembled before any gas connections are made.



# Installation

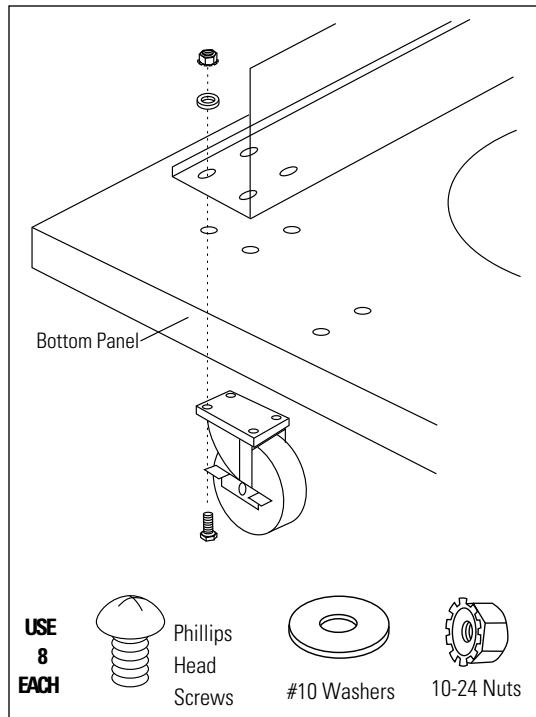
## 27" Grill Cart Assembly

### Tools You Will Need

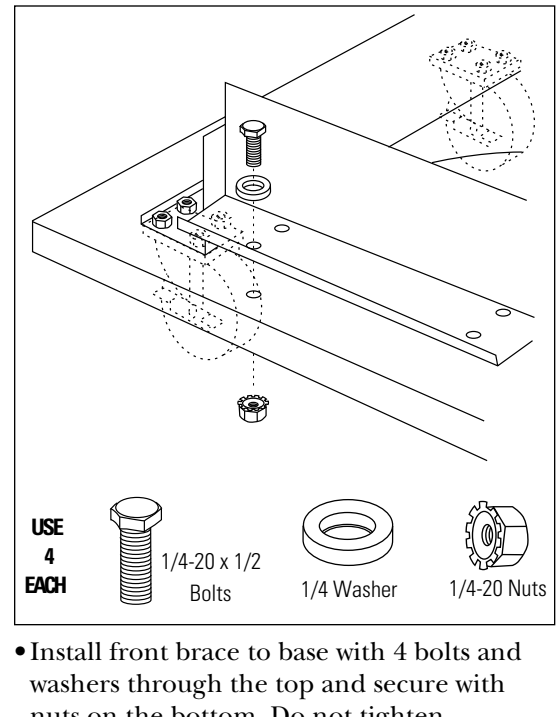
- Two 7/16" wrenches
- 3/8" wrench or socket
- Phillips head screwdriver
- Rubber or wooden mallet
- Gloves to protect against sharp edges

**CAUTION:** The grill is extremely heavy. 2 people are required to lift and place the grill onto the cart.

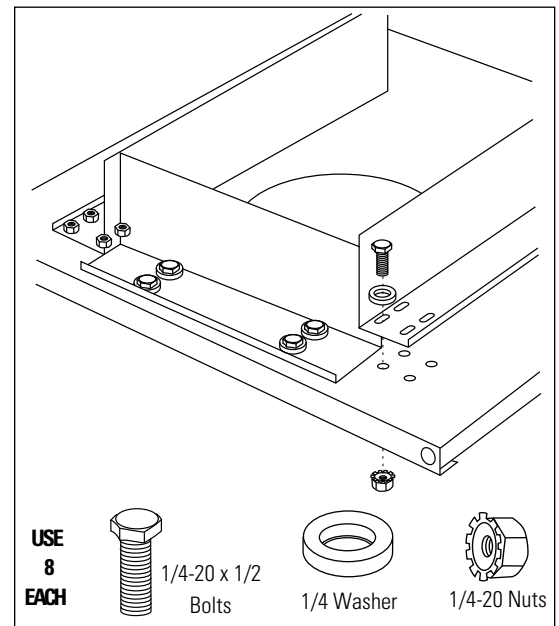
### Step 2: Install Casters and Braces to Base



- Locate the bottom/base panel and one side brace.
- Place the front of the base towards you. (The front side has 6 screw holes on each side.)
- Select the castor with lock on the side.
- Place the castor below the front side of the base, aligned with 4 screw holes.
- Place a side brace on top of the base at the left side with screw holes aligned.
- Install 4 phillips head screws through the castor into the base and through the brace.
- Secure screws with flat washers and nuts on top of the brace. Do not tighten.
- Install the other castor to opposite end of the brace following the same procedure.



- Install front brace to base with 4 bolts and washers through the top and secure with nuts on the bottom. Do not tighten.



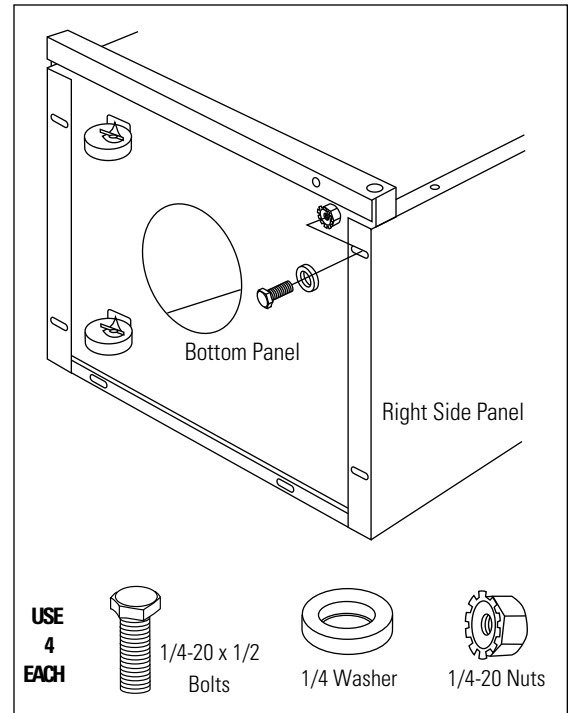
- Install right side brace to the base by installing 8 bolts and washers through the top and secure with nuts on the bottom. Again, do not tighten.
- Adjust brace alignment by tapping and sliding until corners meet. Tighten all screws.

# Installation

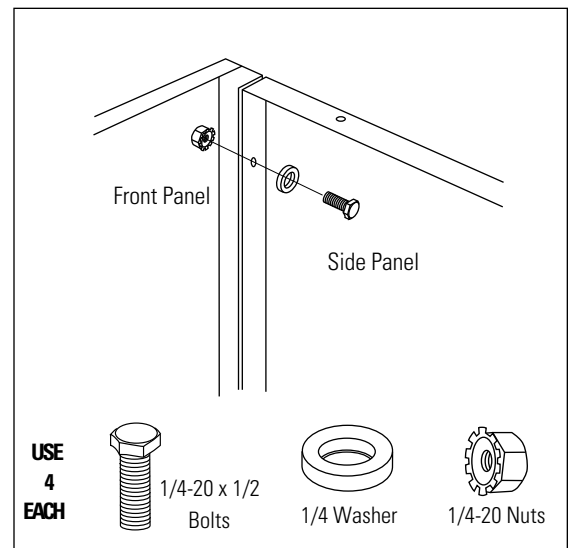
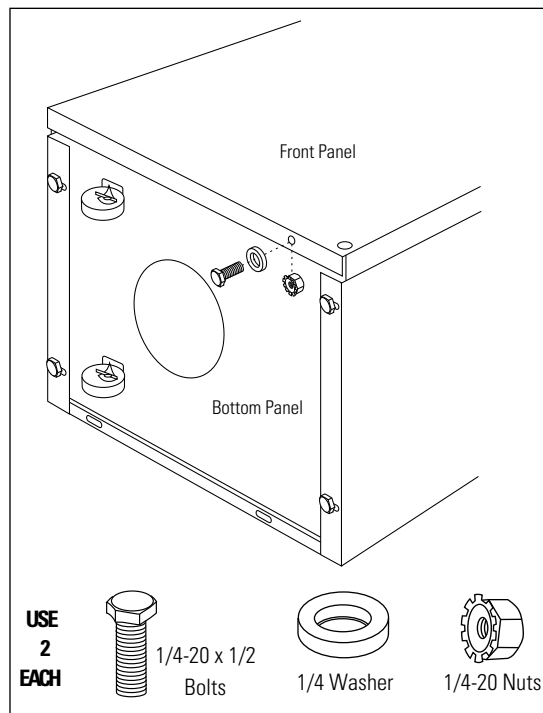
## 27" Grill Cart Assembly

### Step 3: Install Side Panels to Base

- Flatten the carton to use as a pad.
- Stand the assembled base on end.
- Secure left and right side panels to the bottom panel with 4 bolts, washers and nuts (2 on each side). Note: Right side panel has a hole near the center.
- Install bolt and washer from the bottom and into the base, secure with nuts inside. Do not tighten.



### Step 4: Install Front Panel to Base



- Stand the assembly up and bolt the front panel to the side panels with bolts, washers and nuts as shown. (2 on each side).

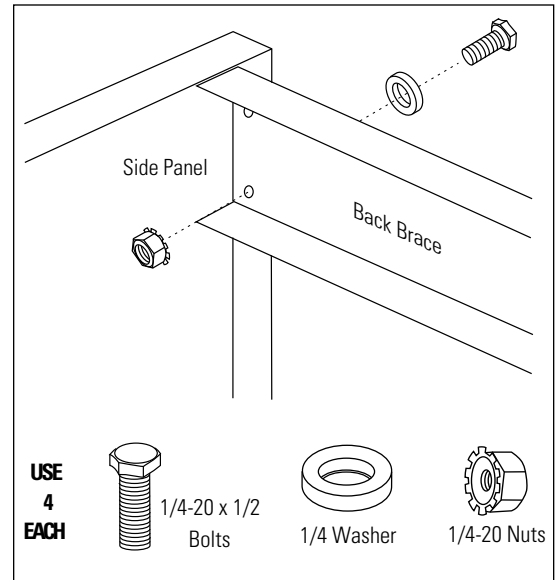
- Place the front panel on the assembly. Install bolt with washer from the bottom into the base and secure with nuts. Do not tighten.

# Installation

## 27" Grill Cart Assembly

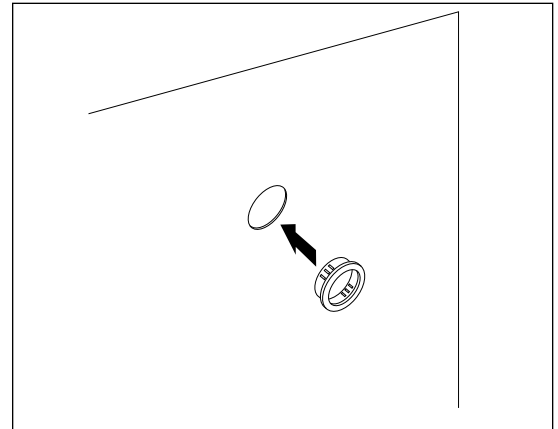
### Step 5 Install Back Brace

- Bolt back brace to side panels by installing bolt with washer from the outside and secured with nut on the inside. (2 bolts on each side).



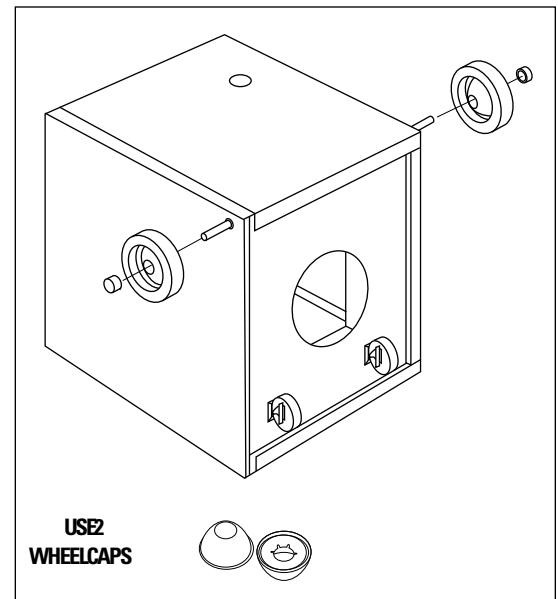
### Step 6 Check Panel Alignment, Tighten Assembly

- Check to be sure all panels and holes in the bottom right corner of the front panel are correctly aligned.
- Tighten bolts by holding a 7/16" wrench on bolt and turning nuts below with another 7/16" wrench.
- Snap grommet into the hole on the outside of the right side panel.



### Step 7 Install Wheels

- Place wheel cap onto axle and tap in place with a mallet.
- Slide a wheel onto the axle with the flat side against the cap and the spacer side (the protruding side) towards the inside of the cart.
- Slide the axle through the holes in the cart.
- Place second wheel onto the axle, with spacer side against the cart, and tap wheel cap with mallet to secure.



# Installation

## 27" Grill Cart Assembly

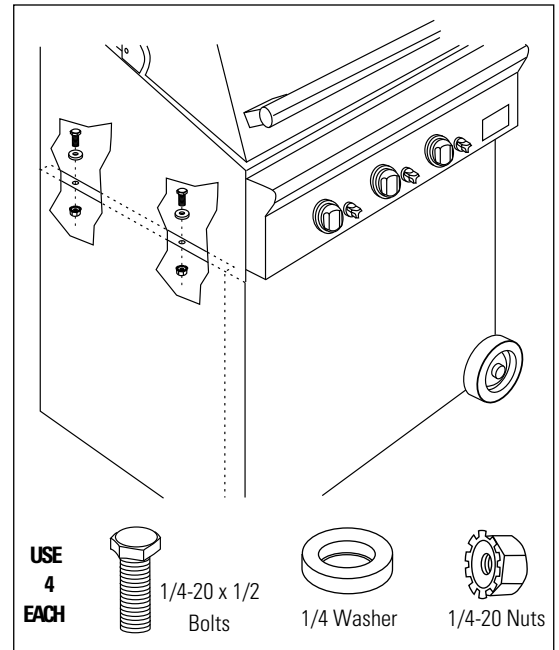
### Step 8 Mount Grill to Assembled Cart

**CAUTION:** Lock front caster on the cart to prevent movement.

See installation instructions packed with the grill. Remove packaging, drip tray, burner grates and parts box.

**CAUTION:** The grill is extremely heavy. 2 people are required to lift and place the grill onto the cart.

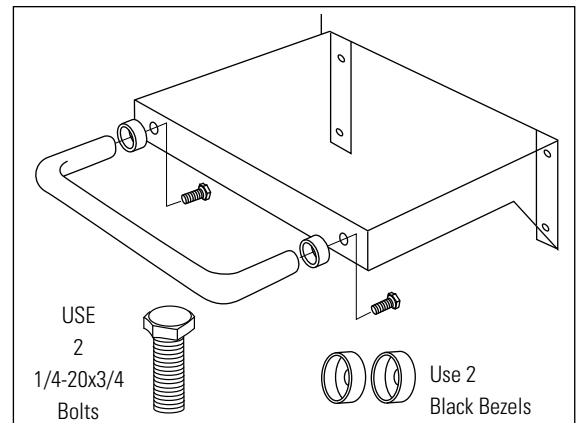
- Lower the grill onto the cart.
- Check to be sure the grill rests securely and fits square on the cart.
- Secure the grill to the cart with 2 bolts, washer and nuts on each side. The bolts may be accessed from the back of the cart.



### Step 9 Install Handle on Shelf

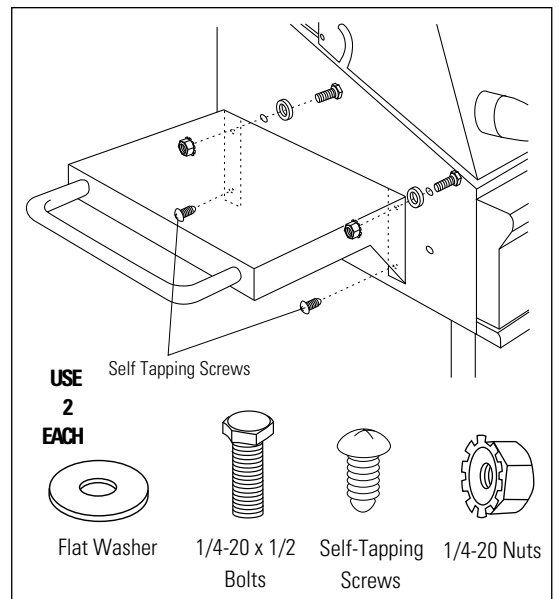
The shelf should be installed after the grill has been secured to the cart.

- Place black plastic bezels onto the ends of the handle.
- Hold the handle against the shelf and secure with two 1/4-20 x 3/4" bolts as shown.



### Step 10 Mount Side Shelf to Grill

- Hold the assembled shelf against the grill, aligning screw holes.
- Install bolts and washer through the inside of the grill, into the top of the shelf and secure with nuts.
- Drive 2 self-tapping screws with washers into the lower holes of the shelf and into the grill.



# Notes

---

*27" Grill Cart Assembly*

---

# Notes

---

*27" Grill Cart Assembly*

---

*To obtain specific information concerning any  
Monogram product or service, call GE Answer Center®  
consumer information service at 800.626.2000—any  
time, day or night.  
For Monogram local service in your area, call  
1-800-444-1845.*

NOTE: Product improvement is a continuing endeavor at General Electric. Therefore, materials, appearance and specifications are subject to change without notice.



**Monogram.®**

General Electric Company  
Louisville, KY 40225

Pub. No. 49-8840  
Dwg. No. 164D3333P080  
© 1997 GE Appliances  
(N.D. 723) 4/97

10744



## Free Manuals Download Website

<http://myh66.com>

<http://usermanuals.us>

<http://www.somanuals.com>

<http://www.4manuals.cc>

<http://www.manual-lib.com>

<http://www.404manual.com>

<http://www.luxmanual.com>

<http://aubethermostatmanual.com>

Golf course search by state

<http://golfingnear.com>

Email search by domain

<http://emailbydomain.com>

Auto manuals search

<http://auto.somanuals.com>

TV manuals search

<http://tv.somanuals.com>