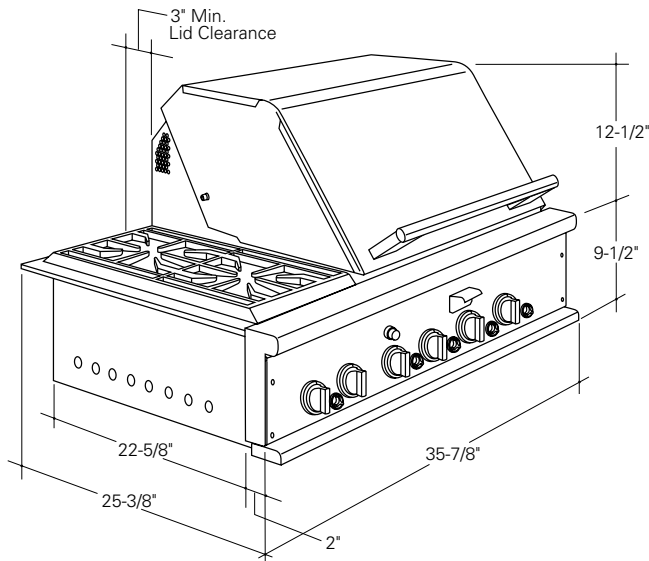




**Monogram®**

## ZGG36L21CSS – GE Monogram 36" Outdoor Cooking Center

### Dimensions and Specifications (in inches)



#### 36" Liquid Propane Gas Model:

#### 2 Grill Burners, 1 Infrared Burner and 2 Side Burners

- Monogram Outdoor Cooking Centers are designed to be installed on a grill cart or into an enclosure.
- **These cooking centers are designed for outdoor use only.** Do not locate the grill in a building, garage or other enclosed area.
- Ensure that fresh air ventilation is adequate.
- Consider exposure to wind and proximity to traffic paths.
- The minimum clearances to combustibles must be maintained at all times.
- Do not install a grill below overhead unprotected combustible construction.
- The installation must conform to local codes or in the absence of local codes, with the national fuel gas code, ANSI Z223 latest edition.

Note: Reference pub. no. 499-80009-2, Monogram Outdoor Cooking Center Installation Instructions, for complete details.  
Reference pub.no. 49-80008, Monogram Outdoor Cooking Center Cart Installation Instructions, for complete details.



Listed by  
Underwriters  
Laboratories

For answers to your Monogram®  
GE Profile Performance Series™  
GE Profile™ or GE appliance questions, call  
GE Answer Center® service, 800.626.2000.

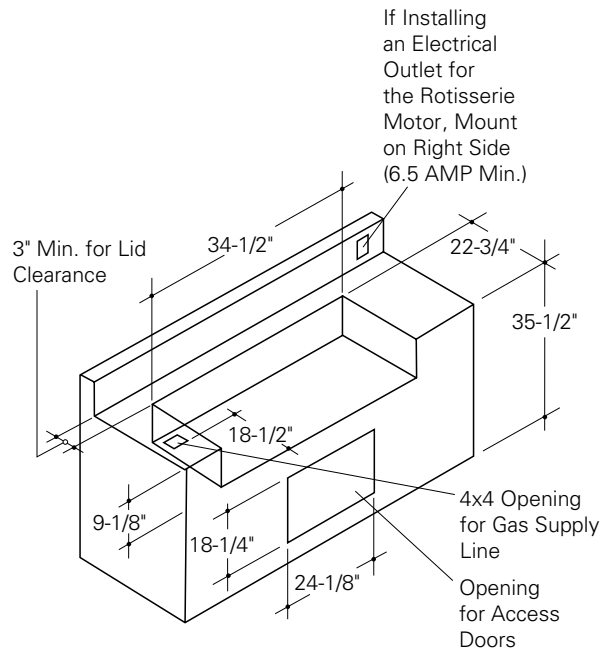
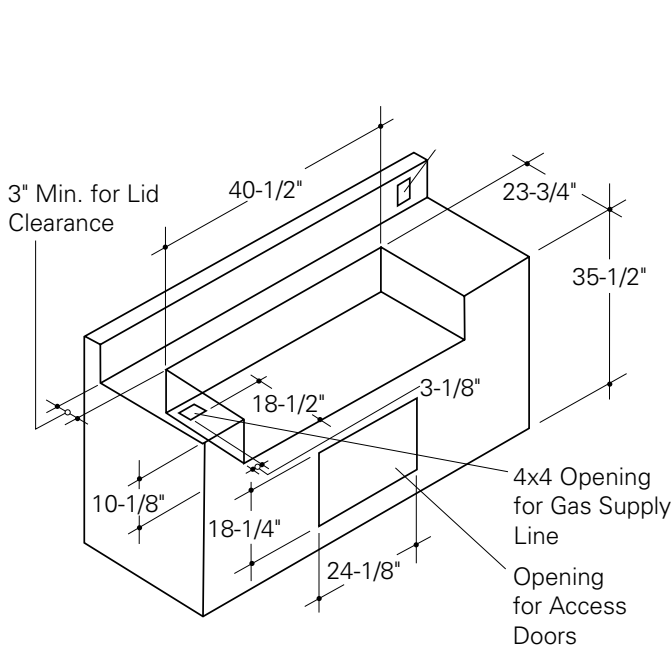
**Specification Revised 7/02**



**Monogram®**

## ZGG36L21CSS – GE Monogram 36" Outdoor Cooking Center

### Dimensions and Specifications (in inches)



#### Installation in a combustible enclosure ZX36JYSS insulated jacket is required.

- The insulated jacket must be supported from the bottom by a solid deck or ledge on each side beneath the jacket.
- Construct the enclosure as shown and place the insulated jacket into the enclosure. Place the cooking center into the jacket. No installation hardware is required.

#### Installation in a non-combustible enclosure

- In a non-combustible (masonry) enclosure, the grill drops into the opening. A deck or ledge on each side is required for support from the bottom.

#### Clearances – All Models

- Allow 3" at the rear for lid clearance.
- Allow at least 12" clearance at the back of the grill when exhaust is directed to a window or a surface that is difficult to clean.
- Allow at least 6" clearance on each side to any non-combustible material located above the cooking surface for counterspace. Rotisserie models also require 6" clearance for placing and handling the motor and skewer.
- Allow at least 12" clearance on each side to combustible vertical materials.



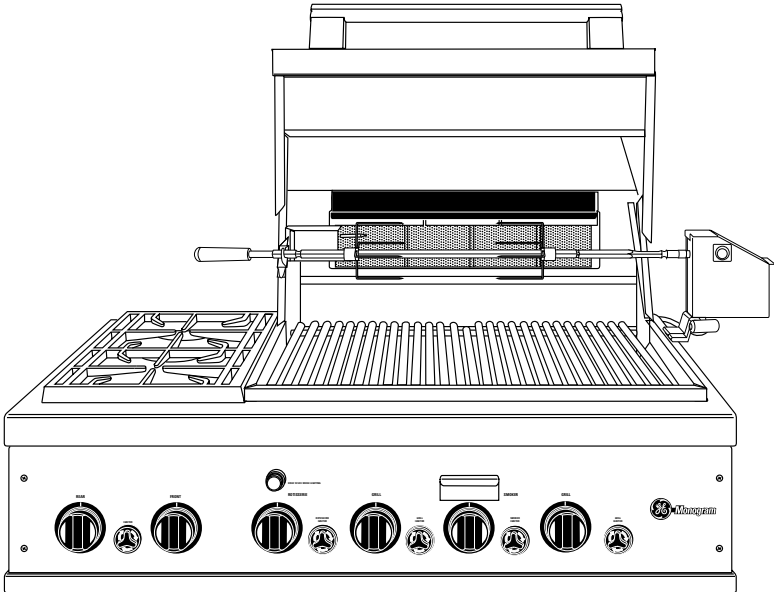
For answers to your Monogram®  
GE Profile Performance Series™  
GE Profile™ or GE appliance questions, call  
GE Answer Center® service, 800.626.2000.

Specification Revised 7/02



**Monogram®**

## ZGG36L21CSS – GE Monogram 36" Outdoor Cooking Center



### Features and Benefits

- Liquid Propane Model (LP Tank Included)
- 2 (20,000 BTU) Cast-Iron Gas Grill Burners
- 14,000 BTU Infrared Rotisserie System
- 5,000 BTU Stainless Steel Gas Smoker Burner
- 2 (15,000 BTU) Cast Iron Gas Cooktop Burners
- Warming Rack
- Rotary Multi-Spark Piezo Ignition
- Brass Control Valves
- Steel, Porcelain-Enameled Grill Grates
- Porcelainized, Cast-Iron Burner Grates
- Stainless Steel, Slide-Out Drip Tray
- Heavy Duty 304 Stainless Steel Construction
- Flexible Installation
- Model ZGG36N21CSS – Natural Gas
- Model ZGG36L21CSS – Liquid Propane Gas

Specification Revised 7/02

## Free Manuals Download Website

<http://myh66.com>

<http://usermanuals.us>

<http://www.somanuals.com>

<http://www.4manuals.cc>

<http://www.manual-lib.com>

<http://www.404manual.com>

<http://www.luxmanual.com>

<http://aubethermostatmanual.com>

Golf course search by state

<http://golfingnear.com>

Email search by domain

<http://emailbydomain.com>

Auto manuals search

<http://auto.somanuals.com>

TV manuals search

<http://tv.somanuals.com>