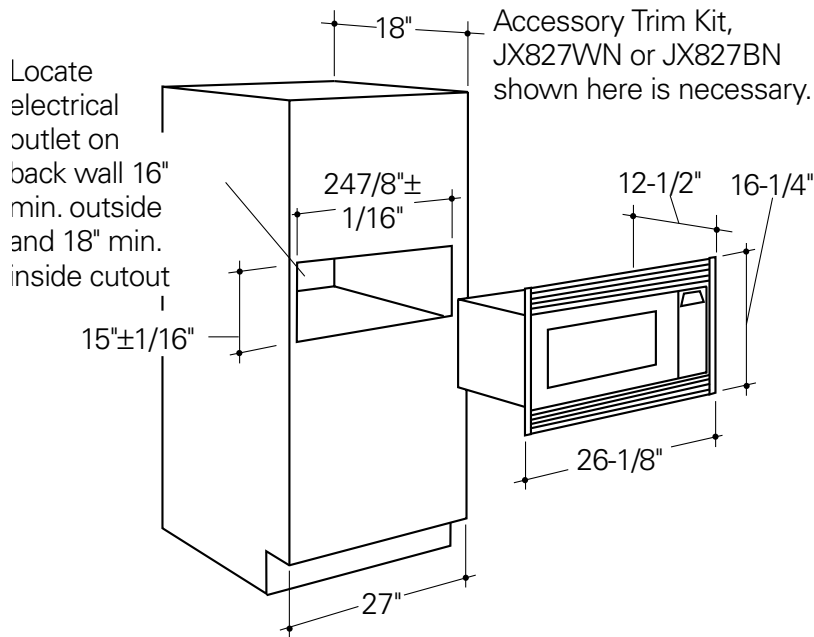




Monogram®

ZEM200SF/WF/BF – GE Monogram Microwave Oven

Dimensions and Specifications (in inches)



Product Dimensions:

H 11-3/16"
W 23-25/32"
D 12-9/32"

Cutout Dimensions:

H 15" ± 1/16"
W 24-7/8"
D 16" - 18"

Accessory Kits:

JX827WN Kit is required for in-cabinet installation of Model ZEM200WF

Note: When installed, trim kit will require wall space 26-1/8"W x 16-1/4"H for clearance.

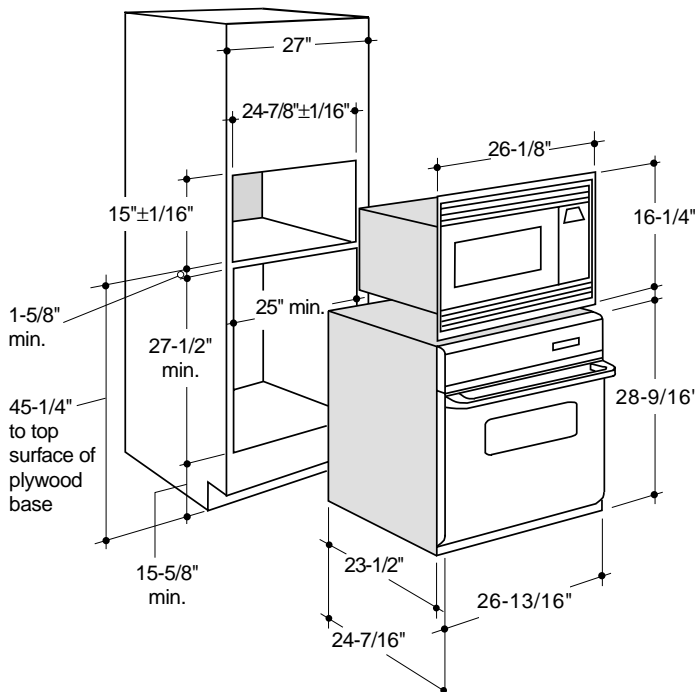
Installation Option includes:

ZEM200WF Spacemaker II™ microwave oven built-in with a JX827WN trim kit above a Monogram 27" single wall oven.

This Monogram microwave oven requires a 120 volt, 60Hz power supply, protected by a time delay fuse or circuit breaker

ZEM200WF oven is supplied with a power cord 57" long for which a properly grounded 3-prong electrical receptacle is required.

800 watt oven ZEM200WF draws 1360 watts, with a 13 amp load.



Listed by
Underwriters
Laboratories

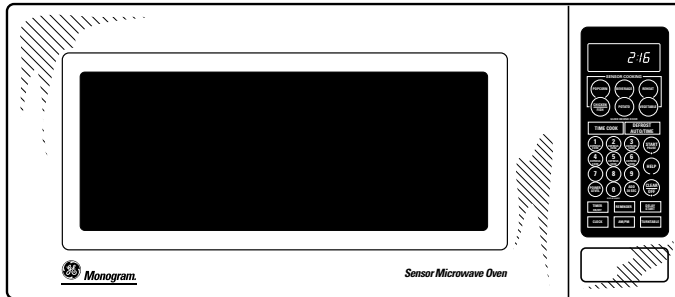
For answers to your Monogram® GE Profile™ or GE appliance questions, visit our website at GEAppliances.com or call GE Answer Center® service, 800.626.2000.

Specification Created 9/02



Monogram.

ZEM200SF/WF/BF – GE Monogram Microwave Oven



Features and Benefits

- 1.0 cu. ft. Oven Cavity
- 800 Watts*
- Electronic Touchpads/Controls
- Express Cook With Instant On Controls
- Electronic Digital Display With Clock
- Sensor Cooking Controls for Popcorn, Beverage, Reheat and Cook Pads
- Micro Cook I & II
- Auto Defrost/Time Defrost
- Add 30 Seconds
- Delay/Start Reminder
- 10 Power Levels
- Undercabinet Hanging Kit Included
- Built-In Kit Available for 27" Wide Cabinet
- Model ZEM200SF – Stainless steel
- Model ZEM200WF – White on white
- Model ZEM200BF – Black on black

*IEC-705 Test Procedure

Free Manuals Download Website

<http://myh66.com>

<http://usermanuals.us>

<http://www.somanuals.com>

<http://www.4manuals.cc>

<http://www.manual-lib.com>

<http://www.404manual.com>

<http://www.luxmanual.com>

<http://aubethermostatmanual.com>

Golf course search by state

<http://golfingnear.com>

Email search by domain

<http://emailbydomain.com>

Auto manuals search

<http://auto.somanuals.com>

TV manuals search

<http://tv.somanuals.com>