

# Installation Instructions

## Advantium® 240V Built-In SpeedCook Ovens

PSB9240DF  
PSB9240SF  
ZSC2200  
ZSC2201  
ZSC2202

### Español

For a Spanish version of this manual, visit our Website at [GEAppliances.com](http://GEAppliances.com).

Para consultar una version en español de este manual de instrucciones, visite nuestro sitio de internet [GEAppliances.com](http://GEAppliances.com).

49-40690-1  
MFL59060908

07-13 GE

# Safety Information

## BEFORE YOU BEGIN

Read these instructions completely and carefully.

**IMPORTANT** – Save these instructions for local inspector's use.

**IMPORTANT** – Observe all governing codes and ordinances.

- **Note to Installer** – Be sure to leave these instructions with the Consumer.
- **Note to Consumer** – Keep these instructions with your Owner's Manual for future reference.
- **Skill Level** – Installation of this appliance requires basic mechanical and electrical skills.
- **Completion Time – 1 Hour.**
- Proper installation is the responsibility of the installer. Product failure due to improper installation is not covered under the warranty. See Owner's Manual for warranty information.

**IMPORTANT** – Use this oven only for its intended purpose. Never use the oven for warming or heating a room. Prolonged use of the oven without proper ventilation can be hazardous.

### **⚠ CAUTION:**

For personal safety, remove house fuse or oven circuit breaker before beginning installation to avoid severe or fatal shock injury.

### **⚠ CAUTION:**

For personal safety, the mounting surface must be capable of supporting the cabinet load, in addition to the added weight of the 80-pound oven and 30-pound drawer, plus additional oven loads of up to 50 pounds or a total weight of up to 160 pounds.

### **⚠ CAUTION:**

For personal safety, this product cannot be installed in cabinet arrangements such as an island, a peninsula or below a countertop.

## CONTENTS

### Design Information

Models Available.....	2
Product Dimensions and Clearances.....	4
Tools and Parts Required.....	4
Parts Supplied.....	4
Electrical Tools and Parts Required.....	4
Advance Planning.....	4

### Installation Preparation

Electrical Requirements.....	5
Install Junction Box.....	5
Preparing the Opening (Installation without an accessory storage drawer).....	6-7
Preparing the Opening (Installation with an accessory storage drawer).....	8-9

### Installation Instructions

Step 1, Remove Packaging and Parts.....	10
Step 2, Route Conduit.....	11
Step 3, Install Bottom Trim.....	12
Step 4, Install Mounting Screws.....	12
Step 5, Finalize Installation.....	12

## MODELS AVAILABLE

### Models:

PSB9240DFWW - White  
PSB9240DFBB - Black  
PSB9240SFSS - Stainless Steel

### Monogram Models:

ZSC2200NWW-White  
ZSC2200NBB-Black  
ZSC2201NSS-Stainless Steel

### Monogram Pro Range Models:

ZSC2202NSS-Stainless Steel

**NOTE: This unit cannot be installed with an accessory storage drawer.**

## ANTES DE COMENZAR

Lea estas instrucciones por completo y con detenimiento.

**IMPORTANTE** — Guarde estas instrucciones para el uso de inspectores locales.

**IMPORTANTE** — Cumpla con todos los códigos y ordenanzas vigentes.

- **Nota al instalador** — Asegúrese de dejar estas instrucciones con el Consumidor.
- **Nota al consumidor** — Mantenga estas instrucciones con el Manual del Propietario para referencia futura.
- **Nivel de capacidad** — La instalación de este aparato requiere capacidades mecánicas y eléctricas básicas.
- **Tiempo de finalización — 1 hora.**
- El instalador tiene la responsabilidad de efectuar una instalación adecuada. La Garantía no cubre las fallas del producto debido a una instalación incorrecta. Ver el Manual del Propietario para información sobre la garantía.

**IMPORTANTE** — Utilice este horno sólo con el objetivo para el que fue creado. Nunca use el horno para entibiar o calentar una habitación. El uso prolongado del horno sin una ventilación adecuada puede resultar peligroso.

### **⚠ PRECAUCIÓN:**

Para seguridad personal, quite el fusible o el interruptor de circuitos de la vivienda antes de comenzar la instalación a fin de evitar una lesión grave o fatal.

### **⚠ PRECAUCIÓN:**

Para seguridad personal, la superficie de montaje debe poder soportar la carga del gabinete, además de las 80 libras del horno y las 30 libras del cajón, más las cargas adicionales del horno de hasta 50 libras o un peso total de hasta 160 libras.

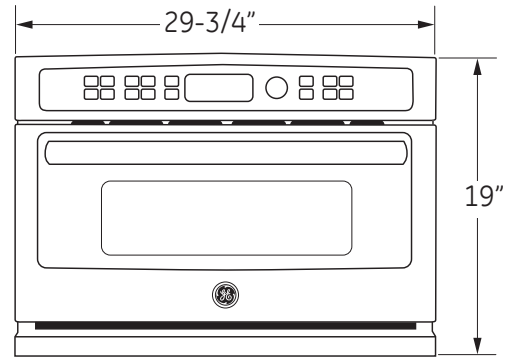
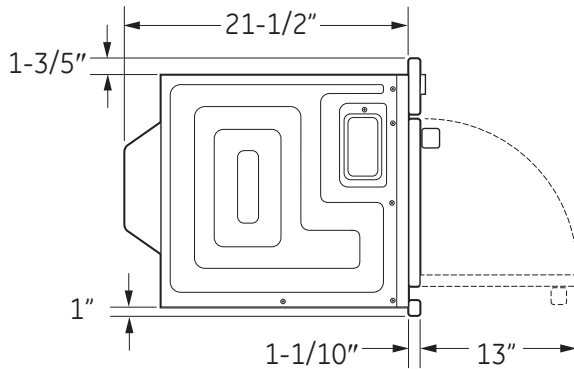
### **⚠ PRECAUCIÓN:**

Por razones de seguridad personal, este producto no se puede instalar en arreglos de alacena tales como una isla, una península o debajo de una mesada.

# Design Information

## PRODUCT DIMENSIONS AND CLEARANCES

NOTE: Appearance will vary by model.



## TOOLS AND PARTS REQUIRED (NOT SUPPLIED)

- #2 Phillips screwdriver
- Hand held drill
- High speed drill bit, 3/32" diameter
- 3/8" slot head screwdriver
- Level
- Saw
- 2x4 or 2x2 lumber for installing runners or 3/8" plywood for floor (if required)
- Wood screws or other hardware for installing runner or shelf to support oven (if required)
- Safety glasses or goggles

## PARTS SUPPLIED

- 6 brass screws (3 required, 3 extra)
- 5 color matched screws (4 required, 1 extra)
- Bottom trim

## ELECTRICAL TOOLS AND PARTS REQUIRED (NOT SUPPLIED)

- Junction box
- Electrical cable (3-conductor or 4-conductor wire as required by local codes)
- UL-listed conduit connectors
- Wire cutters and wire strippers

## ADVANCE PLANNING

- These ovens may be installed directly into a 30" wide oven cabinet.
- Cutout dimensions are NOT the same for installation with or without an accessory storage drawer. Make sure to use the correct cutout when preparing the opening.

**NOTE:** Model ZSC2202 CANNOT be installed with an accessory storage drawer. See Installation Preparation Without an Accessory Storage Drawer for this model.

**IMPORTANT** – This oven is not approved for use above another built-in Advantium Speedcook oven, a side by side installation or below a countertop.

- For personal safety, this oven cannot be installed in a cabinet arrangement such as an island or peninsula.
- The oven must be installed at least 36-3/4" above the floor.
- Allow for clearance to adjacent corners, walls, drawers, etc.
- Cabinets installed adjacent to wall ovens must have an adhesion spec of at least 194°F temperature rating.

The oven must be securely installed in a cabinet that is firmly attached to the house structure.

Weight on the oven door could cause the oven to tip and result in injury. Never allow anyone to climb, sit, stand or hang on the oven door.

If installing the drawer accessory, the drawer must be assembled to the oven prior to installation into the cabinet. See the *Accessory Storage Drawer Assembly Instructions*.

# Installation Preparation

## ELECTRICAL REQUIREMENTS

### Single Speedcook Installation

Product rating is 120/208 or 120/240 volt, 60 Hz, 30 amps. This product must be connected to a supply circuit of the proper voltage and frequency and protected by a time delay fuse or circuit breaker. Power should be supplied from a separate, dedicated 30-ampere branch circuit. Wire size must conform to the requirements of the National Electrical Code or the prevailing local code.

### Combined Speedcook and Wall Oven Installation

When installed in combination with a GE/Monogram single wall oven, use separate electrical junction boxes. Refer to single oven installation instructions for electrical requirements of that product.

These connections must be made by a qualified electrician. All electrical connections must meet National Electrical Code or prevailing local codes.

### Combined Speedcook and Warming Drawer Installation

When installing the Speedcook oven over a GE or Monogram electric warming drawer, a separate 120V, 60Hz, properly grounded receptacle must be installed. See instructions packed with the warming drawer.

## ⚠ WARNING

- The electrical power to the oven branch circuit must be shut off while line connections are being made.
- Use copper wiring only.
- Electrical ground is required on this appliance. The free end of the green wire (ground wire) must be connected to a suitable ground. This wire must remain grounded to the oven.
- If cold water pipe is interrupted by plastic, non-metallic gaskets, union connections or other insulating materials, DO NOT use for grounding.
- DO NOT ground to a gas pipe.
- DO NOT have a fuse in the NEUTRAL or GROUNDING circuit. A fuse in the NEUTRAL or GROUNDING circuit could result in an electrical shock.
- Check with a qualified electrician if you are in doubt as to whether the appliance is properly grounded.

Failure to follow these instructions could result in serious injury or death.

## ⚠ ADVERTENCIA

- El encendido eléctrico al circuito paralelo deberá estar apagado mientras se realizan las conexiones de línea.
- Use conductores de cobre únicamente.
- Este electrodoméstico requiere que se realice una conexión a tierra. El extremo libre del cable verde (cable a tierra) debe estar conectado a una conexión a tierra adecuada. Este cable debe permanecer conectado a la conexión a tierra del horno.
- Si la tubería de agua fría presenta interrupciones por plásticos, juntas, conexiones de uniones u otros materiales aislantes, NO use la misma como conexión a tierra.
- NO se debe conectar a tierra en una tubería de suministro de gas.

### REQUISITOS ELÉCTRICOS (Cont)

- NO posee un fusible en el circuito neutro o de conexión a tierra. Un fusible en el circuito neutro o de conexión a tierra podría ocasionar una descarga eléctrica.
- Consulte a un electricista calificado o personal del servicio si tiene dudas de que el electrodoméstico se encuentre conectado a tierra apropiadamente.

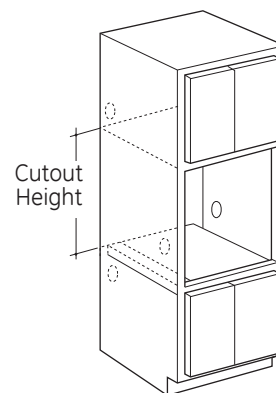
Si no se siguen estas instrucciones, se podrán producir lesiones graves o la muerte.

## INSTALL JUNCTION BOX

The conduit is located at the top right on the back of the oven.

Locate and install the junction box within reach of the oven conduit.

- Through the left or right sides of the cabinet wall and into adjacent cabinet.
- Or, through the cutout floor.
- Or, in the upper cabinet.



# Installation Preparation

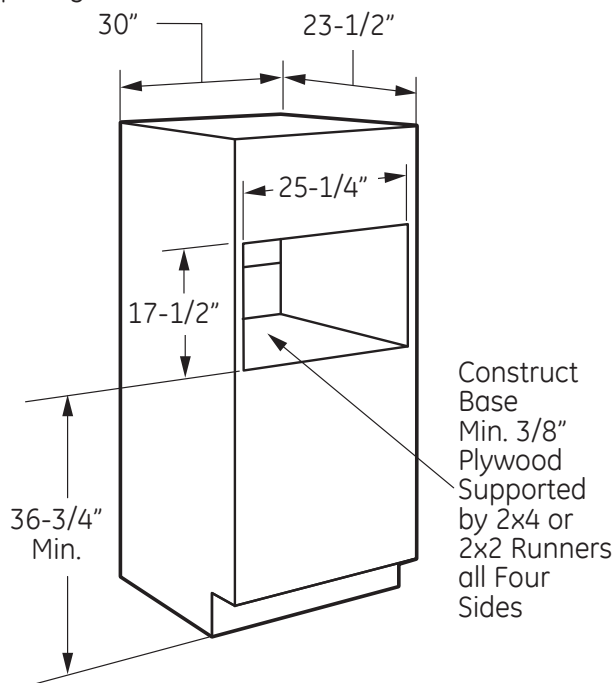
## Preparation WITHOUT an Accessory Storage Drawer

### PREPARE THE OPENING

The Advantium 240V can be installed in combination with other GE/Monogram appliances. Always follow each product's Installation Instructions to complete the installation.

#### Single Advantium 240V Installation:

Order a 30" wide single oven cabinet or cut the opening in a wall to the dimensions shown.



- Always maintain 36-3/4" minimum height from the floor to the cutout in any single or combined installation.
- Allow 2-1/8" case trim overlap on the sides and 7/8" overlap on the bottom of the opening for all models. Allow 1-1/4" case trim overlap on the top for models PSB9120 and 3/4" overlap on the top for models ZSC2200, ZSC2200, ZSC2201 and ZSC2202.
- Oven overlaps will conceal cut edges on all sides of the opening.

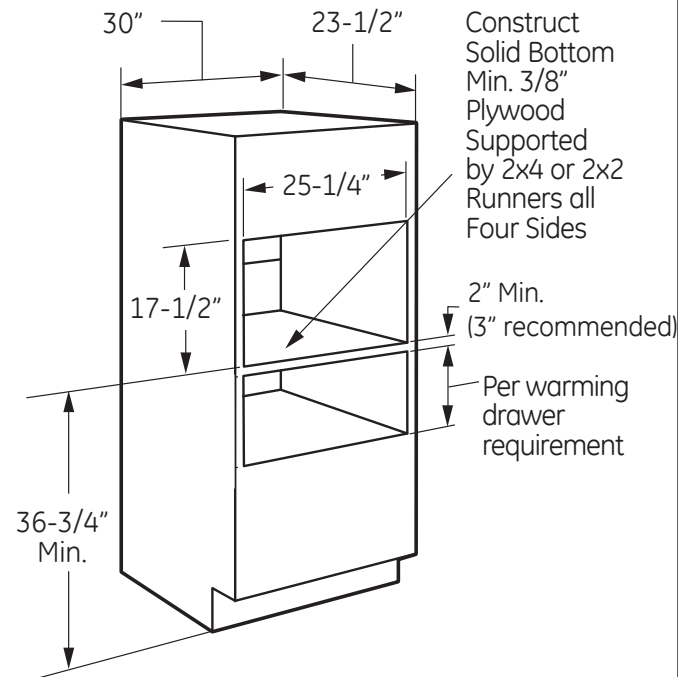
When installed over a single oven or a warming drawer, allow at least 2" between the two openings. This separation will provide clearance for bottom overlap of the Advantium 240V and the other appliance overlaps.

Construct a solid oven floor of 3/8" min. thick plywood supported by 2 x 4 or 2 x 2 runners on all sides.

- The support must be level and rigidly mounted, flush with the bottom edge of the cutout.

### PREPARE THE OPENING (CONT.)

#### Installation over a GE/Monogram Warming Drawer:



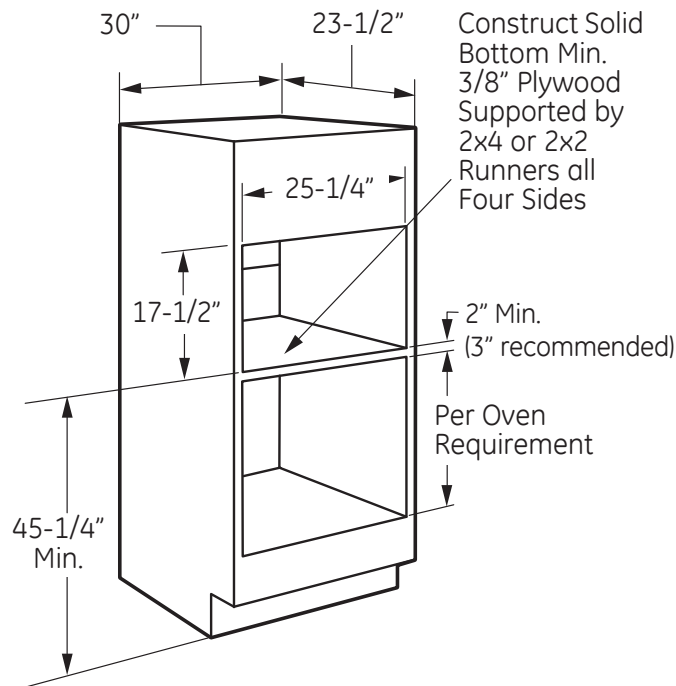
**NOTE:** Additional clearances between the cutouts may be required. Check to be sure the oven supports above the Warming Drawer location do not obstruct the required interior depth and height. See Warming Drawer installation instructions for details.

# Installation Preparation

## Preparation WITHOUT an Accessory Storage Drawer

### PREPARE THE OPENING (CONT.)

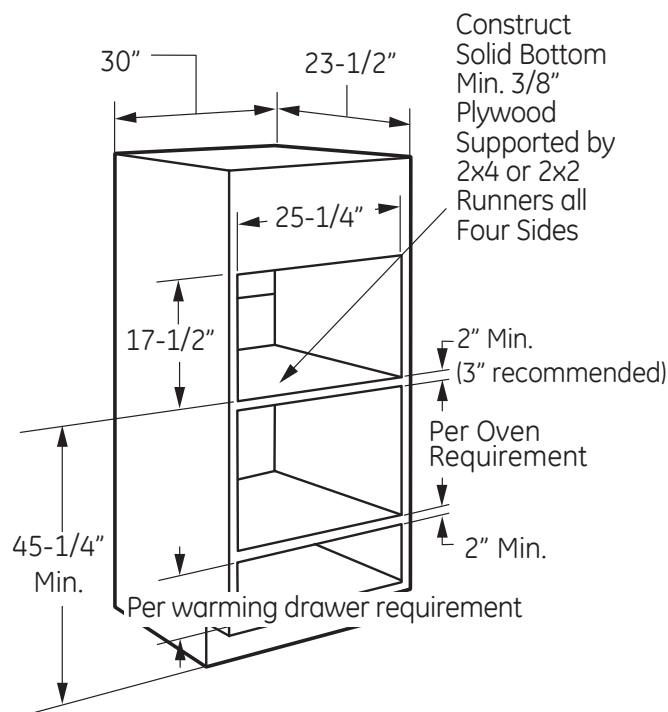
Installation over a GE/Monogram Oven:



- If you are replacing a GE/Monogram electric double oven with the combined installation of an Advantium 240V and a single oven, use the dimensions shown. The middle rail separating the two openings may need to be larger than the 2" minimum shown.

### PREPARE THE OPENING (CONT.)

Installation over a GE/Monogram Oven and Warming Drawer:



**NOTE:** Additional clearances between the cutouts may be required. Check to be sure the oven supports above the Warming Drawer location do not obstruct the required interior depth and height. See Warming Drawer installation instructions for details.

**⚠ CAUTION:** For personal safety, the mounting surface must be capable of supporting the cabinet load, in addition to the added weight of this approximate 80-pound oven, plus additional oven loads of up to 50 pounds or a total weight of 130 pounds.

**⚠ PRECAUCIÓN:** Para seguridad personal, la superficie de montaje debe poder soportar la carga del gabinete, además del peso aproximado de 80 libras del horno, más las cargas adicionales del horno de hasta 50 libras o un peso total de hasta 130 libras.

# Installation Preparation

## Preparation WITH an Accessory Storage Drawer

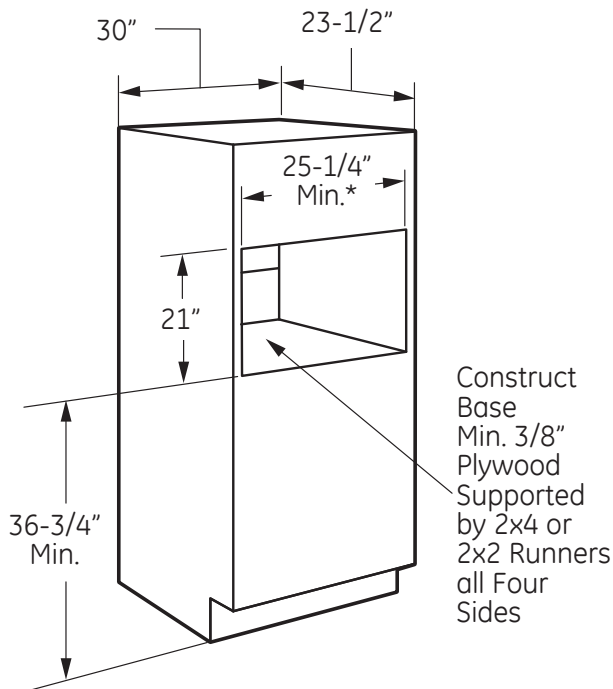
NOTE: MODEL ZSC2202 CANNOT BE INSTALLED WITH AN ACCESSORY STORAGE DRAWER. SEE INSTALLATION PREPARATION WITHOUT AN ACCESSORY STORAGE DRAWER FOR THIS MODEL.

### PREPARE THE OPENING

The Advantium 240V can be installed in combination with other GE/Monogram appliances. Always follow each product's Installation Instructions to complete the installation.

#### Single Advantium 240V Installation:

Order a 30" wide single oven cabinet or cut the opening in a wall to the dimensions shown.



\* For existing cutouts, a maximum width of 28-1/2" is acceptable. If the opening is slightly wider, secure a furring strip on each side of the cutout for securing the oven.

- Always maintain 36-3/4" minimum height from the floor to the cutout in any single or combined installation.
- Allow 3/4" to 2-1/8" case trim overlap on the sides and 7/8" overlap on the bottom of the opening for all models. The amount of overlap on the sides depends on the actual cutout width. Allow 1-1/4" case trim overlap on the top for model PSB9120 and 3/4" overlap on the top for models ZSC2200, ZSC2200, ZSC2201 and ZSC2202.
- Oven overlaps will conceal cut edges on all sides of the opening.

### PREPARE THE OPENING (CONT.)

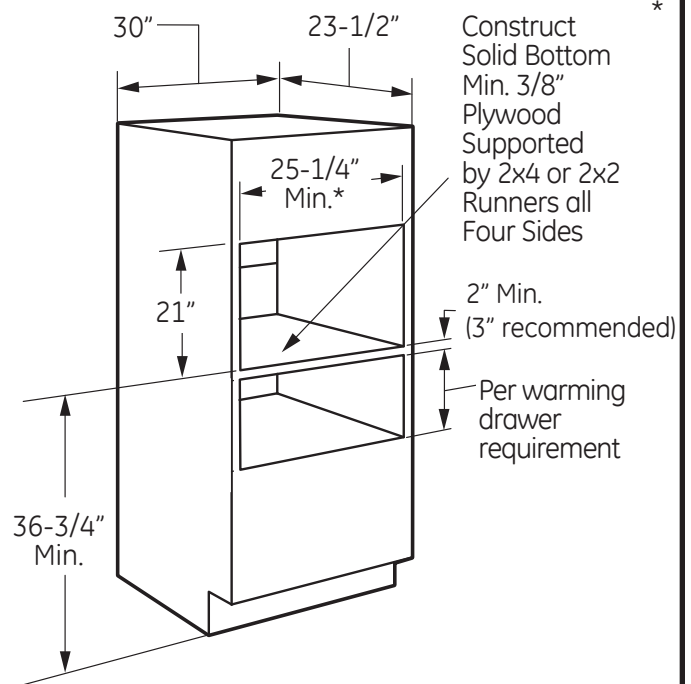
#### Single Advantium 240V Installation (cont.)

When installed over a single oven or a warming drawer, allow at least 2" between the two openings. This separation will provide clearance for bottom overlap of the Advantium 240V and the other appliance overlaps.

Construct a solid oven floor of 3/8" min. thick plywood supported by 2 x 4 or 2 x 2 runners on all sides.

- The support must be level and rigidly mounted, flush with the bottom edge of the cutout.

#### Installation over a GE/Monogram Warming Drawer:



For existing cutouts, a maximum width of 28-1/2" is acceptable. If the opening is slightly wider, secure a furring strip on each side of the cutout for securing the oven.

**NOTE:** Additional clearances between the cutouts may be required. Check to be sure the oven supports above the Warming Drawer location do not obstruct the required interior depth and height. See Warming Drawer installation instructions for details.



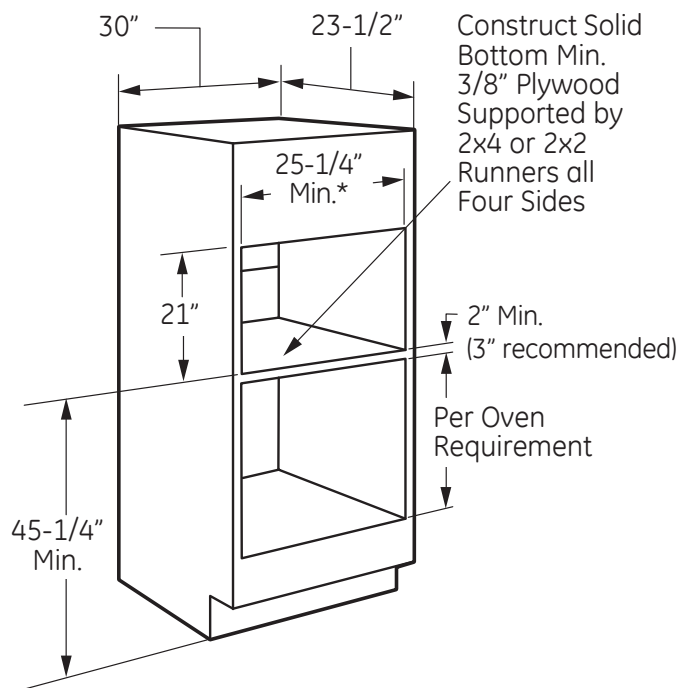
# Installation Preparation

## Preparation WITH an Accessory Storage Drawer

NOTE: MODEL ZSC2202 CANNOT BE INSTALLED WITH AN ACCESSORY STORAGE DRAWER. SEE INSTALLATION PREPARATION WITHOUT AN ACCESSORY STORAGE DRAWER FOR THIS MODEL.

### PREPARE THE OPENING (CONT.)

#### Installation over a GE/Monogram Oven:

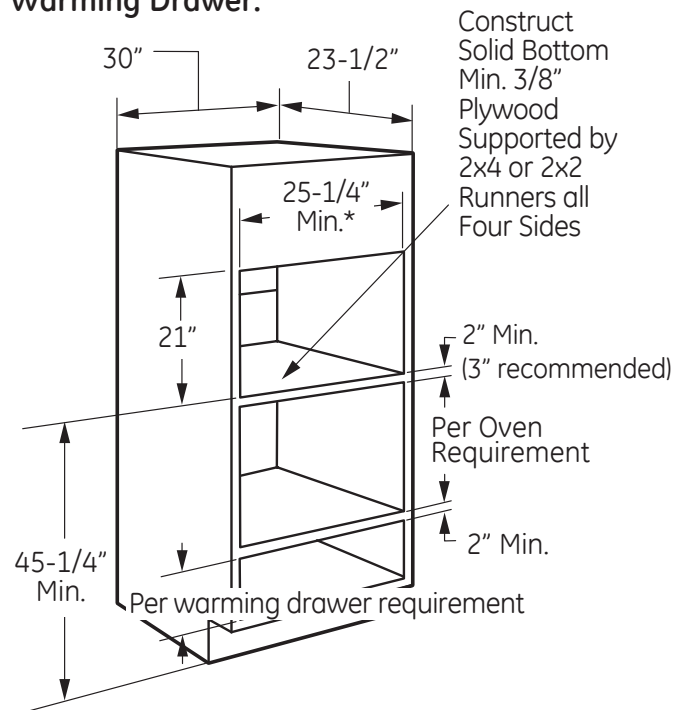


\* For existing cutouts, a maximum width of 28-1/2" is acceptable. If the opening is slightly wider, secure a furring strip on each side of the cutout for securing the oven.

- If you are replacing a GE/Monogram electric double oven with the combined installation of an Advantium 240V and a single oven, use the dimensions shown. The middle rail separating the two openings may need to be larger than the 2" minimum shown.

### PREPARE THE OPENING (CONT.)

#### Installation over a GE/Monogram Oven and Warming Drawer:



\* For existing cutouts, a maximum width of 28-1/2" is acceptable. If the opening is slightly wider, secure a furring strip on each side of the cutout for securing the oven.

**NOTE:** Additional clearances between the cutouts may be required. Check to be sure the oven supports above the Warming Drawer location do not obstruct the required interior depth and height. See Warming Drawer installation instructions for details.

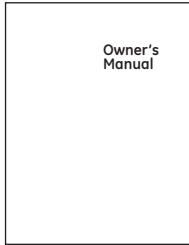
**CAUTION:** For personal safety, the mounting surface must be capable of supporting the cabinet load, in addition to the added weight of this approximate 80-pound oven and 30-pound drawer, plus additional oven loads of up to 50 pounds or a total weight of 160 pounds.

**PRECAUCIÓN:** Para seguridad personal, la superficie de montaje debe poder soportar la carga del gabinete, además del peso aproximado de 80 libras del horno y las 30 libras del cajón, más las cargas adicionales del horno de hasta 50 libras o un peso total de hasta 160 libras.

# Installation Instructions

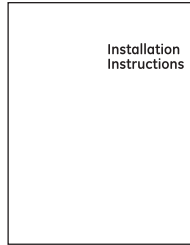
## 1 REMOVE THE PACKAGING AND PARTS

- Remove all packing material and tape.
- Locate parts package containing mounting screws.
- Remove the oven from the carton. Do not lift unit by handle or conduit. Two people are required to lift this oven.
- Open the door and remove any packaging in oven.



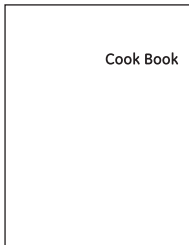
Owner's Manual

Owner's Manual



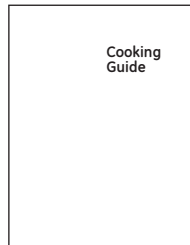
Installation Instructions

Installation Instructions



Cook Book

Cook Book

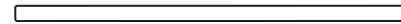


Cooking Guide

Cooking Guide



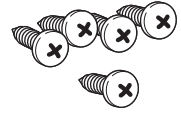
Rack



Bottom Trim



6 Brass Screws  
(3 required, 3 extra)



5 Color Matched Screws  
(4 required, 1 extra)



Glass Tray



Turntable Ring



Metal Trays (2)



Metal Grill Tray

**IMPORTANT:** If installing the Advantium 240V Oven with an accessory storage drawer, read the storage drawer assembly instructions to assemble the products together before proceeding to Step 2.

# Installation Instructions

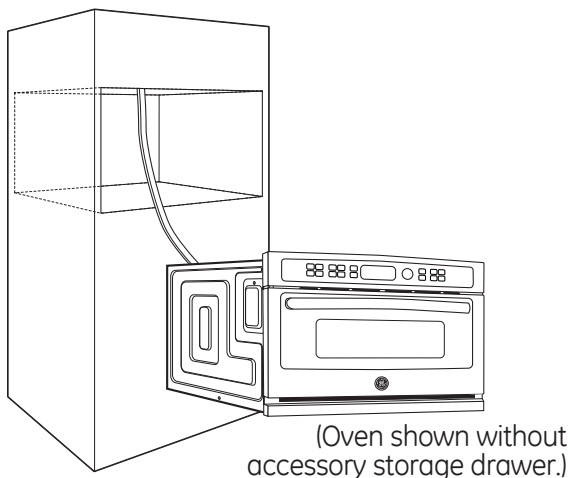
## 2 ROUTE CONDUIT THROUGH CUTOUT

**⚠ CAUTION:** Two people are required to lift the oven into the opening. Grasp the bottom at front and rear. Discard foam base. **DO NOT USE HANDLE OR CONDUIT TO LIFT THE OVEN. DAMAGE WILL OCCUR.**

**⚠ PRECAUCIÓN:** Se requiere contar con dos personas para colocar el horno en la abertura. Se deberá tomar la parte inferior sobre la parte frontal y trasera. Descarte la base de gomaespuma. **NO USE LA MANIJA NI LOS CONDUCTOS PARA LEVANTAR EL HORNO. SE PRODUCIRÁN DAÑOS.**

With oven in front of the cabinet opening:

- Insert conduit into cabinet opening. Connect oven wiring and branch circuit.
- Lift the oven into the opening while continuing to feed the conduit in the direction of the installed junction box. Be sure the conduit does not get pinched between the back of the oven and the cabinet wall.
- Leave oven a few inches forward of the cabinet front frame. Do not push the unit all of the way into the cutout.



## ⚠ WARNING

- Disconnect power to the junction box before making the electrical connection.
- Electrical ground is required on this appliance.
- Do not connect the electrical supply until appliance is permanently grounded.

## ⚠ ADVERTENCIA

- Desconecte la corriente de la caja de empalmes antes de realizar la conexión eléctrica.
- Este electrodoméstico requiere que se realice una conexión a tierra.
- No conecte al suministro de corriente hasta que el electrodoméstico se haya conectado a tierra de forma permanente.

## GROUNDING INSTRUCTIONS

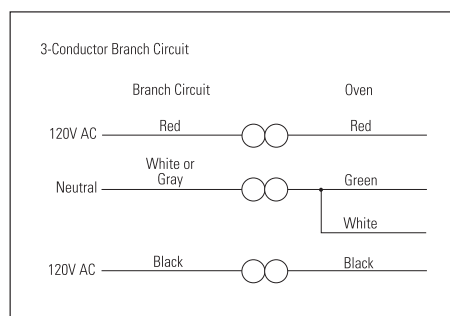
This appliance must be connected to a grounded, metallic, permanent wiring system, or an equipment grounding connector should be run with the circuit conductors and connected to the equipment grounding terminal or lead on the appliance.

Failure to follow these instructions could result in fire, personal injury or electrical shock.

## 2 ROUTE CONDUIT THROUGH CUTOUT (CONT.)

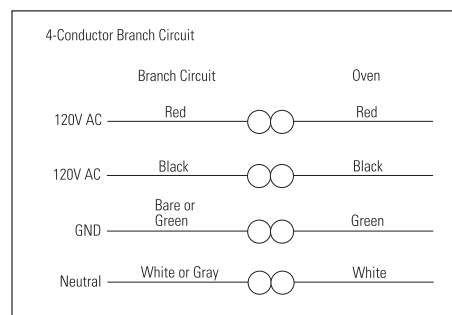
**When connecting to a 3-conductor branch circuit:**

- Connect oven red lead to branch circuit red lead.
- Connect oven black lead to branch circuit black lead.
- Connect oven green ground lead and white lead to branch circuit neutral (white or gray).



**When connecting to a 4-conductor branch circuit:**

- Connect oven red lead to branch circuit red lead.
- Connect oven black lead to branch circuit black lead.
- Break connection between oven white lead and oven green ground lead.
- Connect oven white lead to branch circuit neutral lead (white or gray).
- Connect oven green ground lead to branch circuit ground lead (green or bare copper).

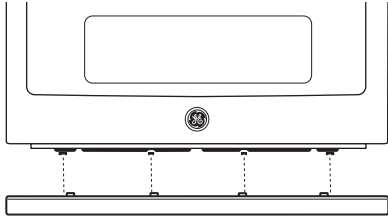


# Installation Instructions

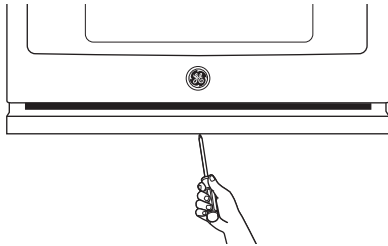
## 3 INSTALL BOTTOM TRIM

**NOTE:** If installing the Advantium 240 Oven with an accessory storage drawer, the bottom trim is not required. Proceed to Step 4.

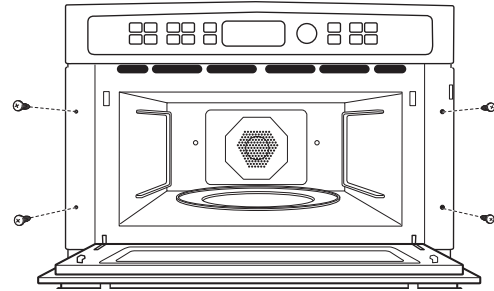
- Align bottom trim tabs to slots in the bottom of the oven.



- Secure the bottom trim to the bottom of the oven using 3 brass screws provided.



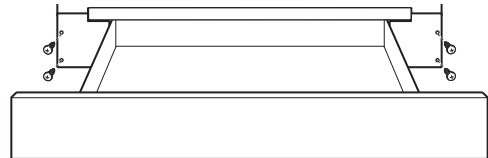
## 4 INSTALL MOUNTING SCREWS



- Slide the oven the remaining way into the opening so that the side flanges and control panel are against the cabinet frame. Make sure that the oven is centered in the opening.
- Open the door, place a turntable tray in the oven and make sure that the tray in the unit is level.
- Drill pilot holes through the side flanges.
- Drive the color matched screws into the side flanges. It is recommended that the screws be hand tightened.

**If installing oven with an accessory storage drawer:**

- Open the drawer.
- Drill pilot holes through the side flanges.
- Drive color match screws into the side flanges. It is recommended that the screws be hand tightened.



## 5 FINALIZE INSTALLATION

- Turn power on at the source. The interior light should come on when the door is opened.
- Refer to Owner's Manual for operating instructions.

# Assembly Instructions

## Advantium® 240V Built-In Accessory Storage Drawer JX2200, JX2201, ZX2201

### BEFORE YOU BEGIN

Read these instructions completely and carefully. Read the Installation Instructions for the Advantium 240V oven completely and carefully for cutout dimensions and step-by-step instructions.

**IMPORTANT** – Save these instructions for local inspector's use.

**IMPORTANT** – Observe all governing codes and ordinances.

- **NOTE TO INSTALLER:** Be sure to leave these instructions with the Consumer.
- **NOTE TO CONSUMER:** Keep these instructions with your Advantium 240V Oven Owner's Manual for future reference.
- **SKILL LEVEL:** Installation of this appliance requires basic mechanical skills.
- **COMPLETION TIME:** One hour with the installation of an Advantium 240V oven.
- Proper installation is the responsibility of the installer.
- Product failure due to improper installation is not covered under the Warranty. See the Advantium 240V Oven Owner's Manual for warranty information.

### MODELS AVAILABLE

#### Models:

JX2200BB–Black

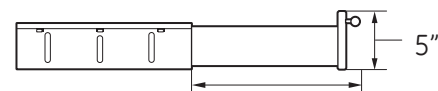
JX2201SS–Stainless Steel

#### Monogram Models:

ZX2201SS–Stainless Steel

**NOTE: Advantium 240V Built-In SpeedCook Oven model ZSC2202SS CANNOT be installed with an accessory storage drawer.** See Installation Preparation Without an Accessory Storage Drawer in the Advantium 240V Built-In SpeedCook Oven Installation Instructions for this model.

### PRODUCT DIMENSIONS AND CLEARANCES



Allow 15" clearance  
when fully open

**NOTE:** Appearance will vary by model.

### TOOLS REQUIRED

- #2 Phillips screwdriver

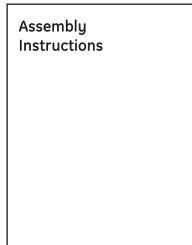
### PARTS SUPPLIED

- 2 Side Supports
- Screws
- Screws (color matched)

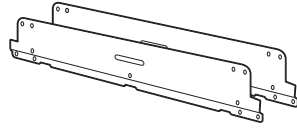
# ASSEMBLY TO ADVANTIUM 240V BUILT-IN SPEEDCOOK OVEN

## 1 REMOVE PACKAGING AND PARTS

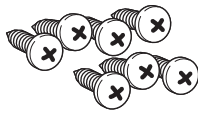
- Remove the drawer from the carton.
- Remove all packing material and tape.
- Open the drawer and remove any parts inside.
- Locate parts.



Assembly Instructions



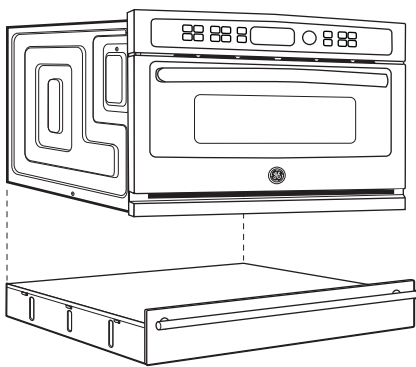
Side Supports (2)



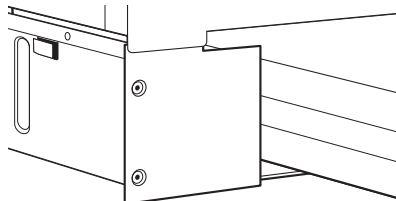
Screws (2 Sets)

## 2 ASSEMBLING THE OVEN TO DRAWER

- A** Place storage drawer on a surface with the front of drawer hanging over the edge of the surface. Not placing the front edge of drawer over the edge of the surface may result in damage to the drawer since the front edge of drawer hangs below the bottom of drawer.
- B** Place the oven on top of the storage drawer. Make sure that the back and sides of the oven align with the back and sides of drawer.

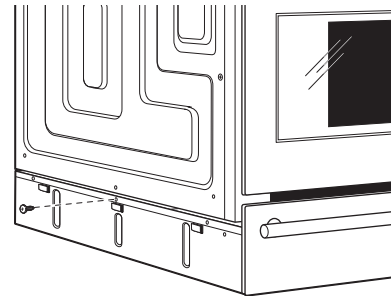
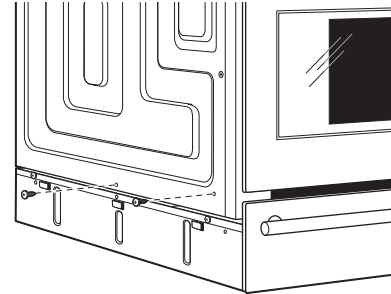


**NOTE:** The bottom of the oven side flanges will sit directly in front of the top of the storage drawer side flanges.

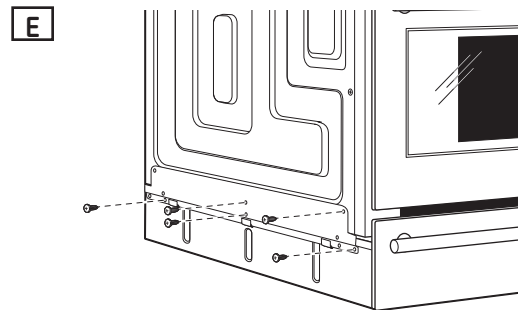


## ASSEMBLING THE OVEN TO DRAWER (CONT.)

- C** Remove the front two bottom screws on each side of the oven and the top center screw on each side of the storage drawer.



- D** Place the side supports into the tabs on the drawer and secure using the screws supplied and the screws removed in Step C.



The oven and storage drawer assembly is now ready to be installed. Return to the Advantium 240V Built-In SpeedCook Oven Installation Instructions to complete the installation.

# Notes

---

**NOTE:** While performing installations described in this book, safety glasses or goggles should be worn.

**NOTE:** Product improvement is a continuing endeavor at General Electric. Therefore, materials, appearance and specifications are subject to change without notice.



**GE Appliances & Lighting**  
Appliances  
General Electric Company  
Louisville, KY 40225  
GEAppliances.com



# Instrucciones de instalación

**Hornos de cocción  
rápida empotrados  
de 240V Advantium®**

PSB9240DF  
PSB9240SF  
ZSC2200  
ZSC2201  
ZSC2202

49-40690-1  
MFL59060908

06-13 GE

# Información de seguridad

## ANTES DE COMENZAR

Lea estas instrucciones por completo y con detenimiento.

**IMPORTANTE** — Guarde estas instrucciones para el uso de inspectores locales.

**IMPORTANTE** — Cumpla con todos los códigos y ordenanzas vigentes.

- **Nota al instalador** — Asegúrese de dejar estas instrucciones con el Consumidor.
- **Nota al consumidor** — Mantenga estas instrucciones con el Manual del Propietario para referencia futura.
- **Nivel de capacidad** — La instalación de este aparato requiere capacidades mecánicas y eléctricas básicas.
- **Tiempo de finalización — 1 hora.**
- El instalador tiene la responsabilidad de efectuar una instalación adecuada. La Garantía no cubre las fallas del producto debido a una instalación incorrecta. Ver el Manual del Propietario para información sobre la garantía.

**IMPORTANTE** — Utilice este horno sólo con el objetivo para el que fue creado. Nunca use el horno para entibiar o calentar una habitación. El uso prolongado del horno sin una ventilación adecuada puede resultar peligroso.

### **⚠ PRECAUCIÓN:**

Para seguridad personal, quite el fusible o el interruptor de circuitos de la vivienda antes de comenzar la instalación a fin de evitar una lesión grave o fatal.

### **⚠ PRECAUCIÓN:**

Para seguridad personal, la superficie de montaje debe poder soportar la carga del gabinete, además de las 80 libras del horno y las 30 libras del cajón, más las cargas adicionales del horno de hasta 50 libras o un peso total de hasta 160 libras.

### **⚠ PRECAUCIÓN:**

Por razones de seguridad personal, este producto no se puede instalar en arreglos de alacena tales como una isla, una península o debajo de una mesada.

## CONTENIDOS

### Información de diseño

Modelos disponibles .....	2
Dimensiones y distancias del producto .....	3
Herramientas y piezas requeridas.....	3
Piezas provistas .....	3
Herramientas eléctricas y piezas requeridas.....	3
Planificación previa .....	3

### Preparación para la instalación

Requisitos eléctricos .....	4
Instale la caja de conexiones.....	4
Preparación de la abertura (instalación sin un cajón de almacenamiento de accesorios).....	5-6
Preparación de la abertura (instalación con un cajón de almacenamiento de accesorios).....	7-8

### Instrucciones de instalación

Paso 1, Quite el empaque y las piezas .....	9
Paso 2, Instale los conductos.....	10
Paso 3, Instale el reborde inferior .....	11
Paso 4, Instale los tornillos de montaje.....	11
Paso 5, Finalice la instalación .....	11

## MODELOS DISPONIBLES

### Modelos Profile:

PSB9240DFWW-Blanco\*  
PSB9240DFBB-Negro  
PSB9240SFSS-Acero inoxidable

### Modelos Monogram:

ZSC2200NWW-Blanco  
ZSC2200NBB-Negro  
ZSC2201SS-Acero inoxidable

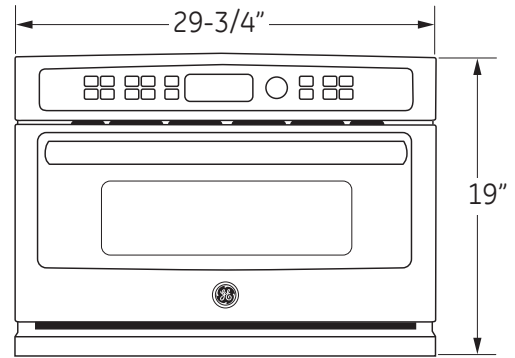
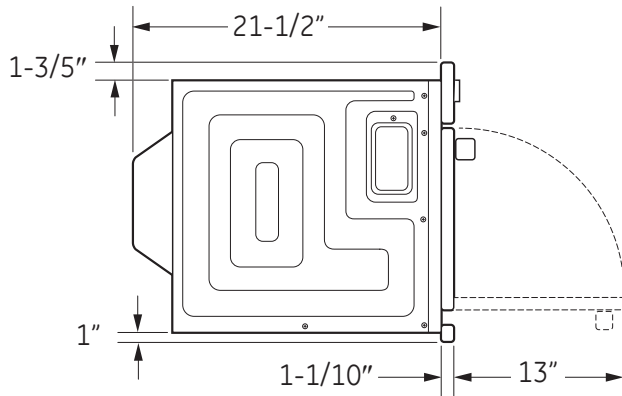
### Modelos Monogram Pro Range:

ZSC2202NSS-Acero inoxidable

**NOTE:** Esta unidad no puede instalarse con un cajón de almacenamiento de accesorios.

# Información de diseño

## DIMENSIONES Y DISTANCIAS DEL PRODUCTO NOTA: La apariencia varía según el modelo.



## HERRAMIENTAS Y PIEZAS REQUERIDAS (NO PROVISTAS)

- Destornillador de estrella #2
- Perforadora de mano
- Broca para perforadora de alta velocidad de 3/32" de diámetro
- Destornillador para cabeza ranurada de 3/8"
- Nivel
- Sierra
- Madera de 2 x 4 o 2 x 2 para instalar guías o madera terciada de 3/8" para el piso (si se requiriera)
- Tornillos para madera u otro elemento para instalar guías o estante para sostener el horno (si se requiriera)
- Gafas o lentes de seguridad

## PIEZAS PROVISTAS

- 6 tornillos (3 necesarios, 3 extra)
- 5 tornillos de color (4 requeridos, 1 extra)
- Reborde inferior (2)

## PIEZAS Y HERRAMIENTAS ELÉCTRICAS REQUERIDAS (NO SUMINISTRADAS)

- Caja de Empalmes
- Cable eléctrico (cable con 3 conductores o 4 conductores, de acuerdo con lo requerido por los códigos locales)
- Cables conectores de la lista de UL
- Cortacables y pelacables

## PLANIFICACIÓN PREVIA

- Estos hornos pueden instalarse directamente dentro de un gabinete para horno de 30" de ancho.
- Las dimensiones del recorte NO son iguales para la instalación con o sin un cajón de almacenamiento para accesorios. Asegúrese de utilizar el recorte correcto cuando prepare la abertura

**NOTA:** Los modelos ZSC1202 NO PUEDEN instalarse con un cajón de almacenamiento para accesorios. Para este modelo, ver Preparación para instalación sin un cajón de almacenamiento para accesorios.

**IMPORTANTE** – No se aprueba el uso de este horno sobre otro horno Advantium Speedcook incorporado, la instalación de uno al lado del otro o debajo de la mesada.

- Por razones de seguridad personal, este producto no se puede instalar en arreglos de alacena tales como una isla o península.
- El horno debe ser instalado a por lo menos 36-3/4" sobre el piso.
- Deje una distancia respecto de rincones, paredes, cajones adyacentes, etc.
- Los gabinetes instalados en forma adyacente a los hornos de pared deberán contar con una adhesión específica de un índice de temperatura de por lo menos 194° F.

El horno debe instalarse bien en un gabinete que se encuentre firmemente sujeto a la estructura de la casa. Si se coloca peso sobre la puerta del horno, éste puede volcarse y provocar lesiones. Nunca permita que nadie se suba, siente, pare o cuelgue de la puerta del horno.

Si va a instalar el accesorio del cajón, éste debe montarse en el horno antes de la instalación en el gabinete. Ver las *Instrucciones de montaje del cajón de almacenamiento de accesorios*.

# Preparación para la instalación

## REQUISITOS ELÉCTRICOS

### INSTALACIÓN DE UN SPEEDCOOK INDIVIDUAL

La potencia del producto es de 120/208 o 120/240 volt, 60 Hz, 30 amperes. Este producto debe ser conectado a un circuito con el suministro correcto de voltaje y frecuencia y debe estar protegido por un fusible de retraso de tiempo o por un disyuntor. La potencia deberá ser suministrada a través de un circuito paralelo aparte de 30 amperes. El tamaño del cable deberá ser conforme a los requisitos del Código Nacional de Electricidad (National Electrical Code) o del código local obligatorio.

### INSTALACIÓN DE SPEEDCOOK COMBINADO Y HORNO DE PARED

Al realizar la instalación en combinación con un horno de pared individual de GE/ Monogram, use cajas de cableados eléctricos aparte.

Para conocer los requisitos eléctricos de ese producto, consulte las instrucciones de instalación para un horno individual.

Estas conexiones deben ser realizadas por un electricista calificado. Todas las conexiones eléctricas deben cumplir con el Código Nacional de Electricidad (National Electrical Code) o con los códigos locales obligatorios.

### INSTALACIÓN DE SPEEDCOOK COMBINADO Y DEL CAJÓN DE CALENTAMIENTO

Al instalar el horno Speedcook sobre un cajón de calentamiento eléctrico de GE o Monogram, se deberá instalar un receptáculo correctamente conectado a tierra de 120V, 60Hz. Consulte las instrucciones embaladas con el cajón calentador.

## ⚠️ ADVERTENCIA

- El encendido eléctrico al circuito paralelo deberá estar apagado mientras se realizan las conexiones de línea.
- Use conductores de cobre únicamente.
- Este electrodoméstico requiere que se realice una conexión a tierra. El extremo libre del cable verde (cable a tierra) debe estar conectado a una conexión a tierra adecuada. Este cable debe permanecer conectado a la conexión a tierra del horno.
- Si la tubería de agua fría presenta interrupciones por plásticos, juntas, conexiones de uniones u otros materiales aislantes, NO use la misma como conexión a tierra.
- NO se debe conectar a tierra en una tubería de suministro de gas.

## REQUISITOS ELÉCTRICOS (Cont)

- NO posee un fusible en el circuito neutro o de conexión a tierra. Un fusible en el circuito neutro o de conexión a tierra podría ocasionar una descarga eléctrica.
- Consulte a un electricista calificado o personal del servicio si tiene dudas de que el electrodoméstico se encuentre conectado a tierra apropiadamente.

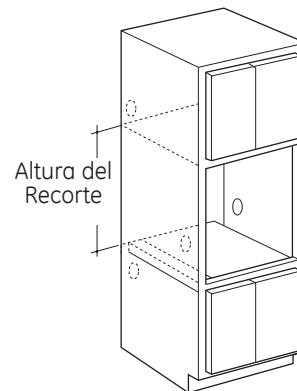
Si no se siguen estas instrucciones, se podrán producir lesiones graves o la muerte.

## INSTALACIÓN DE LA CAJA DE EMPALMES

El conducto está ubicado del lado superior derecho de la parte trasera del horno.

Ubique e instale la caja de empalmes dentro del alcance del conducto del horno.

- A través de los lados izquierdo y derecho de la pared del gabinete y en un gabinete adyacente.
- O a través del piso de recorte.
- O en el gabinete superior.



# Preparación para la instalación

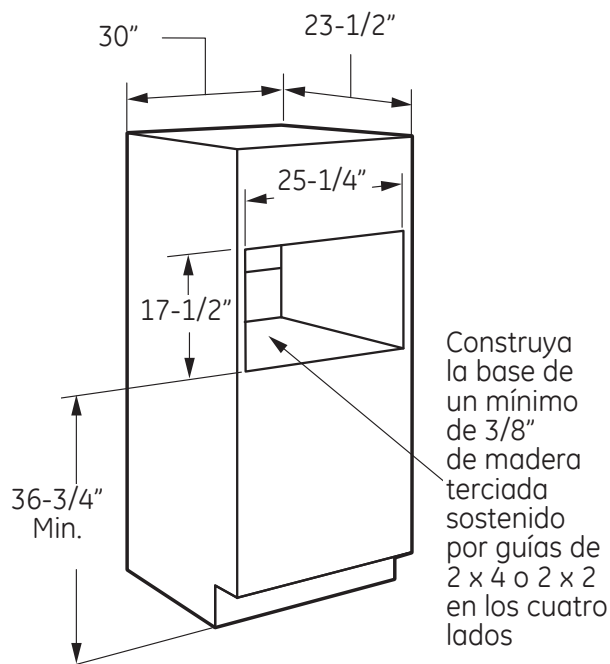
## Preparación SIN un cajón de almacenamiento de accesorios

### CÓMO PREPARAR LA ABERTURA

El Advantium de 240V puede instalarse en combinación con otros aparatos GE/Monogram. Siempre siga las Instrucciones de instalación de cada producto para completar la instalación.

#### Instalación de Advantium de 240V único:

Solicite un gabinete para horno único de 30" de ancho o corte la abertura en una pared con las dimensiones indicadas.



- Siempre deje una altura mínima de 36-3/4" desde el piso hasta el recorte en cualquier instalación, ya sea simple o combinada.
- Permita que haya una superposición del borde de la caja de 2-1/8" sobre los costados y una superposición de 7/8" en la parte inferior de la abertura para todos los modelos. Permita que haya una superposición del borde de la caja de 1-1/4" en la parte superior para los modelos PSB9120 y una superposición de 3/4" para los modelos ZSC2200, ZSC2200, ZSC2201 y ZSC2202.
- Las superposiciones del horno sirven para esconder los lados cortados sobre todos los costados de la abertura.

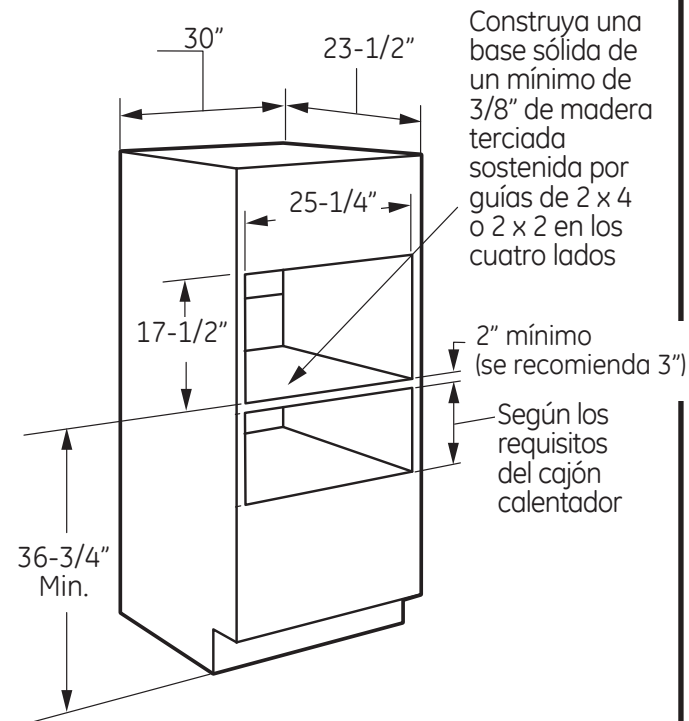
Cuando se instalan sobre un horno único o un cajón calentador, deje por lo menos 2" entre las dos aberturas. Esta separación brindará un espacio para la superposición superior del Advantium de 240V y las otras superposiciones del aparato.

Construya un piso sólido para el horno de madera terciada de un grosor mínimo de 3/8" sostenido por guías de 2 x 4 o 2 x 2 en todos los lados.

- El soporte debe estar nivelado y bien montado, alineado con el lado inferior del recorte.

### CÓMO PREPARAR LA ABERTURA (cont.)

#### Instalación sobre un cajón calentador GE/Monogram:



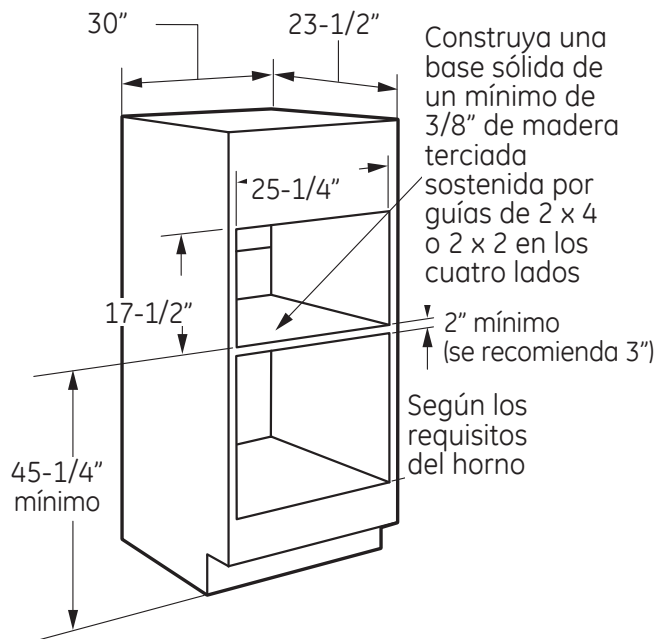
**NOTA:** Pueden necesitarse espacios adicionales entre los recortes. Verifique que los soportes del horno sobre la ubicación de cajón calentador no obstruyan la profundidad y altura interiores requeridas. Para más detalles, consulte las instrucciones de instalación del cajón calentador.

# Preparación para la instalación

## Preparación SIN un cajón de almacenamiento de accesorios

### CÓMO PREPARAR LA ABERTURA (cont.)

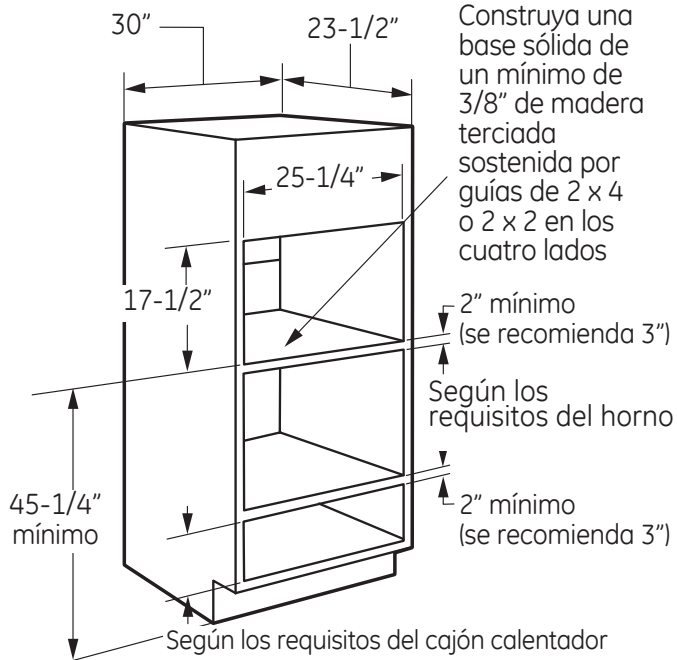
Instalación sobre un horno GE/Monogram:



- Si usted está reemplazando un horno eléctrico doble GE/Monogram con la instalación combinada de un Advantium de 120V y un horno único, utilice las dimensiones indicadas. El riel medio que separa las dos aberturas puede tener que ser mayor al mínimo de 2" indicado.

### CÓMO PREPARAR LA ABERTURA (cont.)

Instalación sobre un horno y cajón calentador GE/Monogram:



**NOTA:** Pueden necesitarse espacios adicionales entre los recortes. Verifique que los soportes del horno sobre la ubicación de cajón calentador no obstruyan la profundidad y altura interiores requeridas. Para más detalles, consulte las instrucciones de instalación del cajón calentador.

**⚠ PRECAUCIÓN:** Para seguridad personal, la superficie de montaje debe poder soportar la carga del gabinete, además del peso aproximado de 80 libras del horno, más las cargas adicionales del horno de hasta 50 libras o un peso total de hasta 130 libras.

# Preparación para la instalación

## Preparación **CON** un cajón de almacenamiento de accesorios

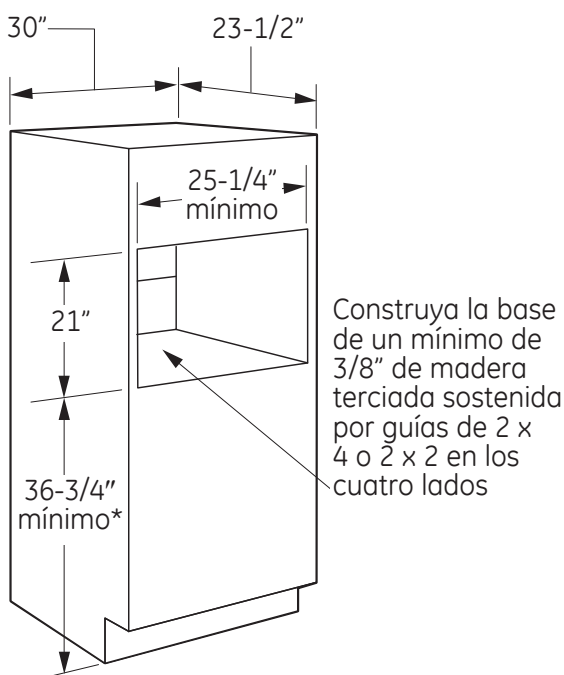
NOTA: EL MODELO ZSC2202 NO PUEDEN INSTALARSE CON UN CAJÓN DE ALMACENAMIENTO DE ACCESORIOS. VER PREPARACIÓN PARA LA INSTALACIÓN SIN UN CAJÓN DE ALMACENAMIENTO DE ACCESORIOS PARA ESTE MODELO.

### CÓMO PREPARAR LA ABERTURA (cont.)

El Advantium de 240V puede instalarse en combinación con otros aparatos GE/Monogram. Siempre siga las Instrucciones de instalación de cada producto para completar la instalación.

#### Instalación de Advantium de 240V único:

Solicite un gabinete para horno único de 30" de ancho o corte la abertura en una pared con las dimensiones indicadas.



\* Para recortes existentes, un ancho máximo de 28-1/2" es aceptable. Si la abertura es un poco más ancha, coloque un listón de enrasar en cada lado del recorte para fijar el horno.

- Siempre deje una altura mínima de 36-3/4" desde el piso hasta el recorte en cualquier instalación, ya sea simple o combinada.
- Permita que haya una superposición del borde de la caja de entre 3/4" y 2-1/8" sobre los costados en la parte inferior de la abertura para todos los modelos. La cantidad de superposición en los costados depende del ancho de recorte real. Permita que haya una superposición del borde de la caja de 1-1/4" en la parte superior para los modelos PSB9120 y una superposición de 3/4" para los modelos ZSC2200, ZSC2200, ZSC2201 y ZSC2202.
- Las superposiciones del horno sirven para esconder los lados cortados sobre todos los costados de la abertura.

### CÓMO PREPARAR LA ABERTURA (cont.)

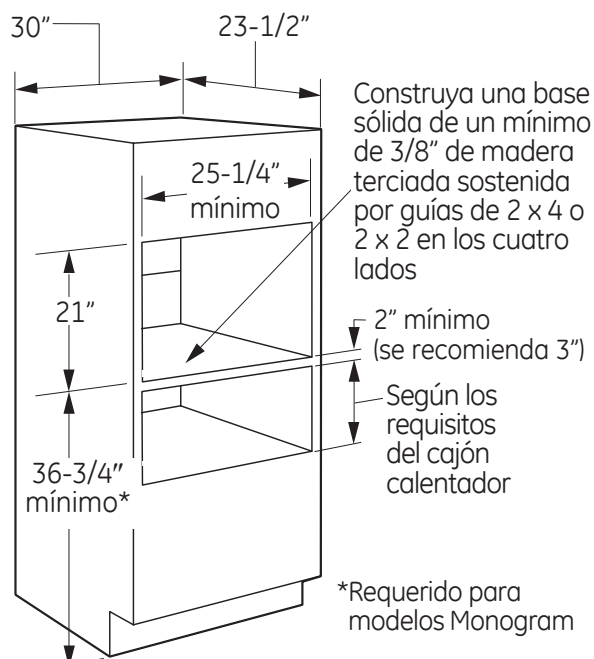
#### Instalación de Advantium de 240V único (cont.)

Cuando se instalan sobre un horno único o un cajón calentador, deje por lo menos 2" entre las dos aberturas. Esta separación brindará un espacio para la superposición superior del Advantium de 120V y las otras superposiciones del aparato.

Construya un piso sólido para el horno de madera terciada de un grosor mínimo de 3/8" sostenido por guías de 2 x 4 o 2 x 2 en todos los lados.

- El soporte debe estar nivelado y bien montado, alineado con el lado inferior del recorte.

#### Instalación sobre un cajón calentador GE/Monogram:



\* Para recortes existentes, un ancho máximo de 28-1/2" es aceptable. Si la abertura es un poco más ancha, coloque un listón de enrasar en cada lado del recorte para fijar el horno.

**NOTA:** Pueden necesitarse espacios adicionales entre los recortes. Verifique que los soportes del horno sobre la ubicación de cajón calentador no obstruyan la profundidad y altura interiores requeridas. Para más detalles, consulte las instrucciones de instalación del cajón calentador.

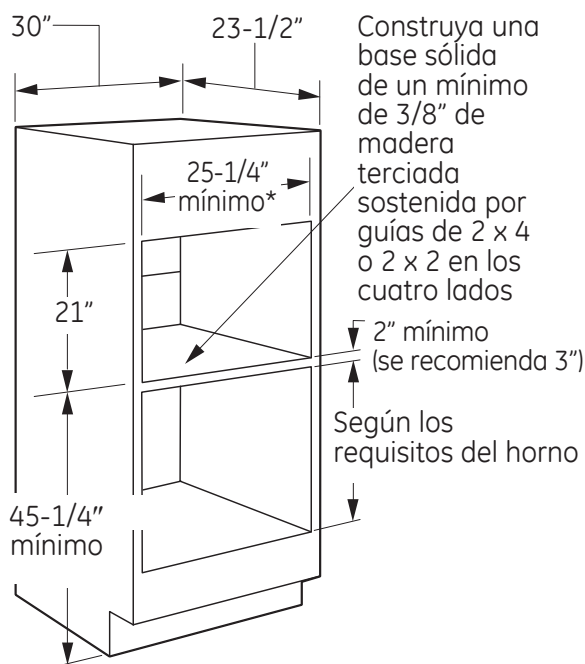
# Preparación para la instalación

## Preparación **CON** un cajón de almacenamiento de accesorios

NOTA: EL MODELO ZSC2202 NO PUEDEN INSTALARSE CON UN CAJÓN DE ALMACENAMIENTO DE ACCESORIOS. VER PREPARACIÓN PARA LA INSTALACIÓN SIN UN CAJÓN DE ALMACENAMIENTO DE ACCESORIOS PARA ESTE MODELO.

### CÓMO PREPARAR LA ABERTURA (cont.)

Preparación **CON** un cajón de almacenamiento de accesorios:

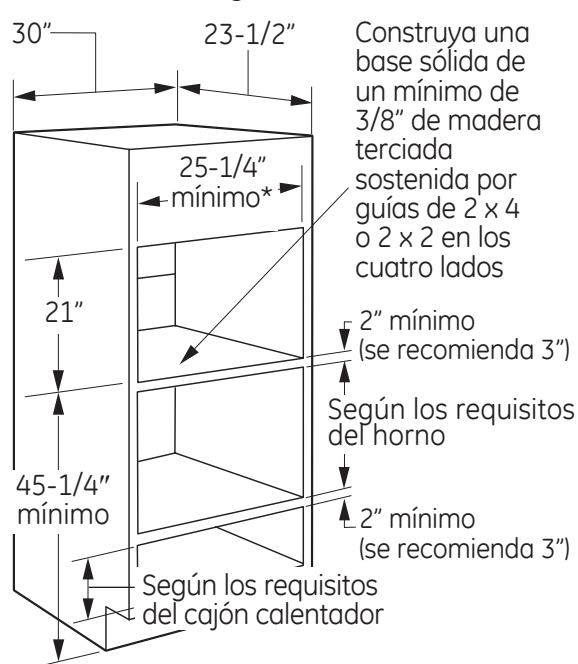


\* Para recortes existentes, un ancho máximo de 28-1/2" es aceptable. Si la abertura es un poco más ancha, coloque un listón de enrasar en cada lado del recorte para fijar el horno.

- Si usted está reemplazando un horno eléctrico doble GE/Monogram con la instalación combinada de un Advantium de 240V y un horno único, utilice las dimensiones indicadas. El riel medio que separa las dos aberturas puede tener que ser mayor al mínimo de 2" indicado.

### CÓMO PREPARAR LA ABERTURA (cont.)

Instalación sobre un horno y cajón calentador GE/Monogram:



\* Para recortes existentes, un ancho máximo de 28-1/2" es aceptable. Si la abertura es un poco más ancha, coloque un listón de enrasar en cada lado del recorte para fijar el horno.

**NOTA:** Pueden necesitarse espacios adicionales entre los recortes. Verifique que los soportes del horno sobre la ubicación de cajón calentador no obstruyan la profundidad y altura interiores requeridas. Para más detalles, consulte las instrucciones de instalación del cajón calentador.

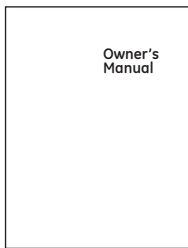
**⚠ PRECAUCIÓN:** Para seguridad personal, la superficie de montaje debe poder soportar la carga del gabinete, además del peso aproximado de 80 libras del horno y las 30 libras del cajón, más las cargas adicionales del horno de hasta 50 libras o un peso total de hasta 160 libras.



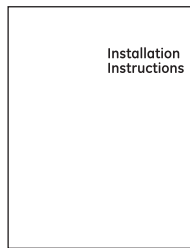
# Instrucciones de instalación

## 1 QUITAR EL EMPAQUE Y LAS PIEZAS

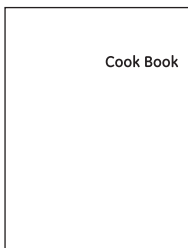
- Quite todo el material de empaque y la cinta.
- Ubique el paquete de piezas que contiene tornillos de montaje.
- Quite el horno de la caja de cartón. No levante la unidad de la manija o conducto. Se necesitan dos personas para levantar este horno.
- Abra la puerta y quite los elementos de empaque del interior del horno.



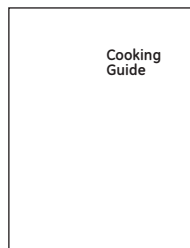
Manual del Propietario



Instrucciones de instalación



Libro de cocina



Guía de cocción



Bandeja de vidrio



Anillo giratorio



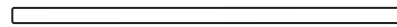
Bandejas de metal (2)



Bandeja con Rejilla Metálica



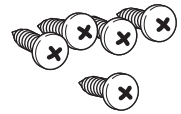
Estante



Reborde inferior



6 tornillos de bronce  
(3 requeridos, 3 extra)



5 tornillos de color  
(4 requeridos, 1 extra)

**IMPORTANTE:** Si va a instalar el horno Advantium de 120V con un cajón de almacenamiento para accesorios, lea las instrucciones de montaje del cajón de almacenamiento para instalar los productos antes de seguir con el Paso 2.

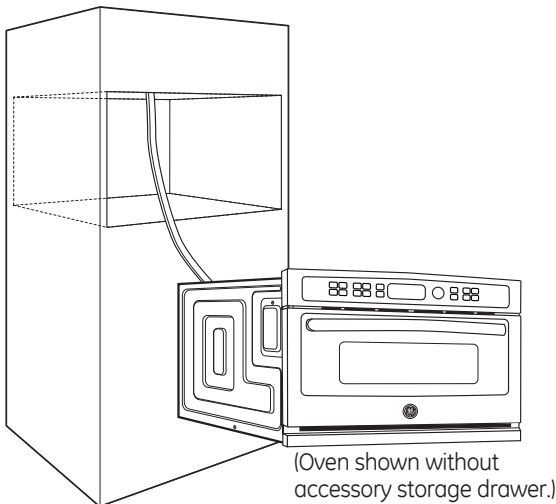
# Instrucciones de instalación

## 2 ENRUTE EL CONDUCTO A TRAVÉS DEL RECORTE

**⚠ PRECAUCIÓN:** Se requiere contar con dos personas para colocar el horno en la abertura. Se deberá tomar la parte inferior sobre la parte frontal y trasera. Descarte la base de gomaespuma. **NO USE LA MANIJA NI LOS CONDUCTOS PARA LEVANTAR EL HORNO. SE PRODUCIRÁN DAÑOS.**

Con el horno frente a la abertura del gabinete:

- Inserte el conducto en la abertura del gabinete. Conecte el cableado del horno y el circuito de empalmes.
- Coloque el horno en la abertura mientras continúa alimentando el conducto en la dirección de la caja de empalmes instalada. Asegúrese de que el conducto no sea pellizcado entre la parte trasera del horno y la pared del gabinete.
- Deje el horno unas pocas pulgadas por delante de la estructura frontal del gabinete. No empuje la unidad hasta el recorte.



## ⚠ ADVERTENCIA

- Desconecte la corriente de la caja de empalmes antes de realizar la conexión eléctrica.
- Este electrodoméstico requiere que se realice una conexión a tierra.
- No conecte al suministro de corriente hasta que el electrodoméstico se haya conectado a tierra de forma permanente.

## INSTRUCCIONES DE CONEXIÓN A TIERRA

Este electrodoméstico debe estar conectado a un sistema de cableado de metal permanente con conexión a tierra o se debe tender un conducto para la conexión a tierra del equipo con los conductores del circuito y conectado al terminal de tierra del equipo o al conductor de suministro del electrodoméstico.

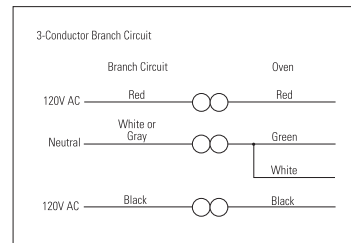
## INSTRUCCIONES DE CONEXIÓN A TIERRA (CONT.)

Si no se siguen estas instrucciones, se podrán producir incendios, lesiones personales o descargas eléctricas.

## 2 ENRUTE EL CONDUCTO A TRAVÉS DEL RECORTE (CONT.)

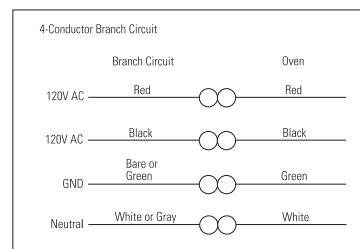
**Al conectar a un circuito de empalmes de 3 conductores:**

- Conecte el conductor de suministro rojo del horno al conductor de suministro rojo del circuito de empalmes.
- Conecte el conductor de suministro negro del horno al conductor de suministro negro del circuito de empalmes.
- Conecte el conductor de suministro verde del horno y el conductor de suministro blanco al neutro del circuito de empalmes (blanco o gris).



**Al conectar a un circuito de empalmes de 4 conductores:**

- Conecte el conductor de suministro rojo del horno al conductor de suministro rojo del circuito de empalmes.
- Conecte el conductor de suministro negro del horno al conductor de suministro negro del circuito de empalmes.
- Divida la conexión entre el conductor de suministro blanco del horno y el conductor de suministro verde del horno.
- Conecte el conductor de suministro blanco del horno al conductor de suministro neutro del circuito de empalmes (blanco o gris).
- Conecte el conductor de suministro verde de tierra del horno al conductor de suministro de tierra del circuito de empalmes (verde o de cobre sin revestimiento).

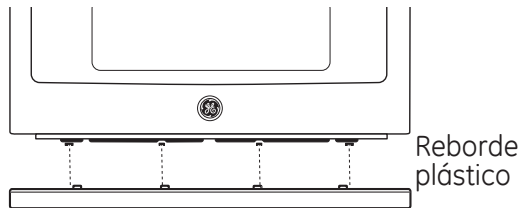


# Instrucciones de instalación

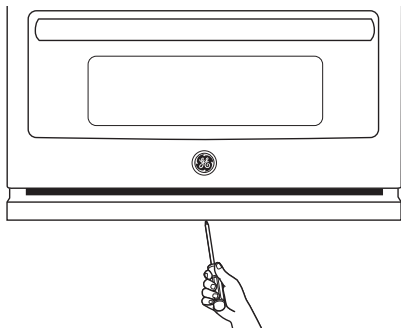
## 3 INSTALE EL REBORDE INFERIOR

**NOTA:** Si va a instalar el horno Advantium de 240V con un cajón de almacenamiento de accesorios, no se requiere el reborde inferior. Siga con el Paso 4.

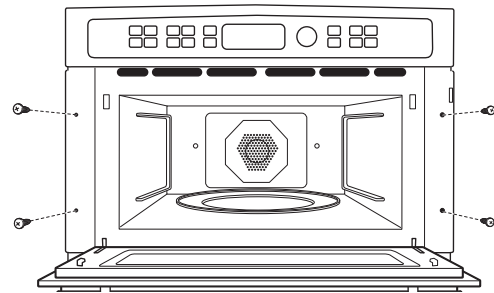
- Alinee las lengüetas del reborde plástico con las ranuras de la parte inferior del horno.



- Fije el reborde inferior a la parte inferior del horno utilizando los 3 tornillos provistos.



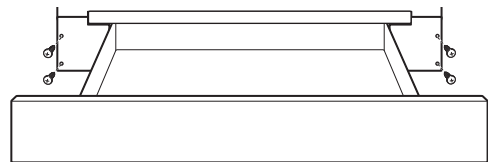
## 4 INSTALE LOS TORNILLOS DE MONTAJE



- Deslice el horno por la distancia que falta dentro de la abertura para que las bridas laterales y el panel de control se encuentren contra el armazón del gabinete. Verifique que el horno esté centrado en la abertura.
- Abra la puerta, coloque una bandeja giratoria dentro del horno y asegúrese de que la bandeja de la unidad esté nivelada.
- Perfore orificios piloto a través de las bridas laterales.
- Introduzca los tornillos de color dentro de las bridas laterales. Se recomienda ajustar los tornillos a mano.

**Si va a instalar el horno con un cajón de almacenamiento de accesorios:**

- Abra el cajón.
- Perfore orificios piloto a través de las bridas laterales.
- Introduzca los tornillos de color dentro de las bridas laterales. Se recomienda ajustar los tornillos a mano.



## 5 FINALICE LA INSTALACIÓN

- Encienda la electricidad desde la fuente. La luz interior debe encenderse cuando se abre la puerta.
- Consulte el Manual del Propietario para instrucciones operativas.

# Instrucciones de montaje

## Cajón de almacenamiento de accesorios empotrado Advantium® JX2200, JX2201, ZX2201

### ANTES DE COMENZAR

Lea estas instrucciones por completo y con detenimiento. Lea las Instrucciones de instalación del horno Advantium de 240V por completo y con detenimiento sobre las dimensiones del recorte y las instrucciones paso a paso.

**IMPORTANTE** – Guarde estas instrucciones para el uso de inspectores locales.

**IMPORTANTE** – Cumpla con todos los códigos y ordenanzas vigentes.

- **NOTA AL INSTALADOR:** Asegúrese de dejar estas instrucciones al consumidor.
- **NOTA AL CONSUMIDOR:** Conserve estas instrucciones con el Manual del Propietario del horno Advantium de 240V para referencia futura.
- **NIVEL DE CAPACIDAD:** La instalación de este aparato requiere capacidades mecánicas básicas.
- **TIEMPO DE FINALIZACIÓN:** Una hora con la instalación de un horno Advantium de 240V.
- El instalador tiene la responsabilidad de efectuar una instalación adecuada.
- La Garantía no cubre las fallas del producto debido a una instalación incorrecta. Ver el Manual del Propietario del horno Advantium de 240V para información sobre la garantía.

### MODELOS DISPONIBLES

#### Modelos:

JX2200BB–Negro

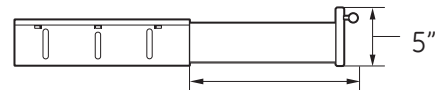
JX2201SS–Acero inoxidable

#### Modelos Monogram:

ZX2201SS–Acero inoxidable

**NOTA:** El Horno con Speedcook Incorporado Advantium 240V modelo ZSC2202SS NO puede ser instalado con un cajón de almacenamiento de accesorios. Consulte la Preparación de la Instalación Sin un Cajón de Almacenamiento de Accesorios en las Instrucciones de Instalación del Horno con Speedcook Incorporado Advantium 240V para este modelo.

### DIMENSIONES Y ESPACIOS DEL PRODUCTO



Deje un espacio de 15" para cuando se abra por completo

**NOTA:** La apariencia varía según el modelo.

### HERRAMIENTAS REQUERIDAS

- Destornillador de estrella #2

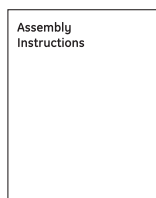
### PIEZAS PROVISTAS

- 2 soportes laterales
- Tornillos
- Tornillos (de color)

# MONTAJE EN UN HORNO DE COCCIÓN RÁPIDA EMPOTRADO ADVANTIUM

## 1 QUITE EL EMPAQUE Y LAS PIEZAS

- Quite el cajón de la caja de cartón.
- Quite todo el material de empaque y la cinta.
- Abra el cajón y quite las piezas del interior.
- Ubique las piezas.



Instrucciones de montaje

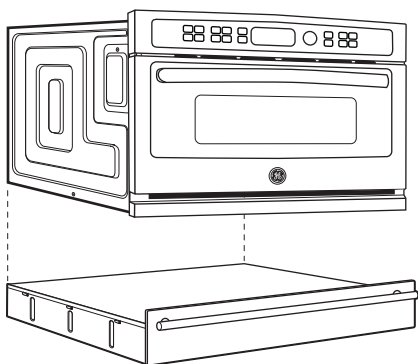
Soportes laterales (2)



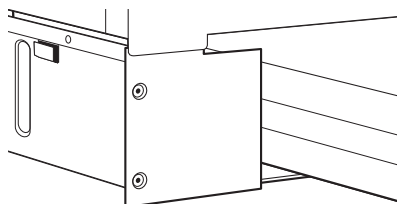
Tornillos (6 requeridos, 2 extra)

## 2 CÓMO MONTAR EL HORNO AL CAJÓN

- A** Coloque el cajón de almacenamiento sobre una superficie con el frente del cajón colgando sobre el borde de la superficie. No colocar el lado frontal del cajón sobre el borde de la superficie puede provocar daños al cajón ya que el lado frontal del mismo cuelga sobre la parte inferior del cajón.
- B** Coloque el horno sobre el cajón de almacenamiento. Verifique que la parte trasera de los costados del horno se encuentren alineados con la parte trasera y los lados del cajón.

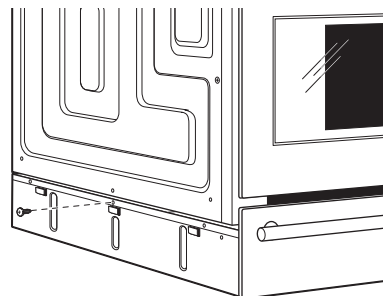
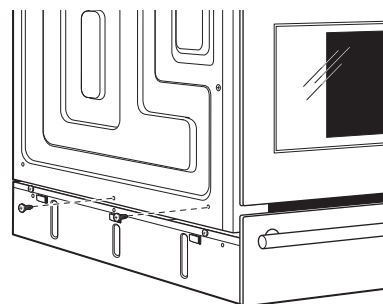


**NOTA:** La parte inferior de las bridas laterales del horno descansan directamente frente a la parte superior de las bridas laterales del cajón de almacenamiento.

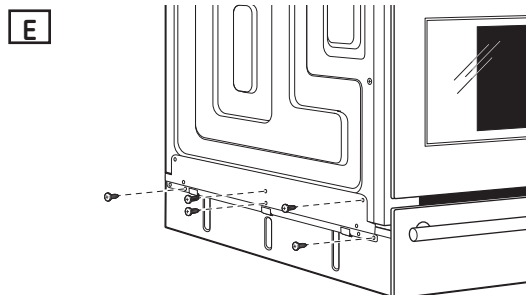


## CÓMO MONTAR EL HORNO AL CAJÓN (cont.)

- C** Quite los dos tornillos inferiores frontales de cada lado del horno y el tornillo central superior sobre cada lado del cajón de almacenamiento.



- D** Coloque los soportes laterales dentro de las lengüetas del cajón y fíjelos utilizando los tornillos provistos y los tornillos quitados en el Paso C.



El horno y el montaje del cajón de almacenamiento ya se encuentran listos para ser instalados. Vuelva a las Instrucciones de instalación del horno de cocción rápida empotrado Advantium de 120V o 240V para completar la instalación.

# Notas

---

# Notas

---

**NOTA:** Mientras efectúa las instalaciones descritas en este libro, deben utilizarse gafas o lentes de seguridad.

**NOTA:** La mejora de los productos es un esfuerzo continuo para General Electric. Por lo tanto, los materiales, la apariencia y las especificaciones pueden sufrir cambios sin previo aviso.



**GE Appliances & Lighting**  
Appliances  
General Electric Company  
Louisville, KY 40225  
GEAppliances.com



## Free Manuals Download Website

<http://myh66.com>

<http://usermanuals.us>

<http://www.somanuals.com>

<http://www.4manuals.cc>

<http://www.manual-lib.com>

<http://www.404manual.com>

<http://www.luxmanual.com>

<http://aubethermostatmanual.com>

Golf course search by state

<http://golfingnear.com>

Email search by domain

<http://emailbydomain.com>

Auto manuals search

<http://auto.somanuals.com>

TV manuals search

<http://tv.somanuals.com>