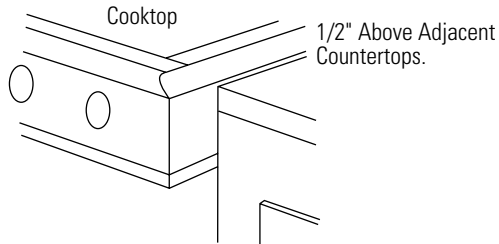




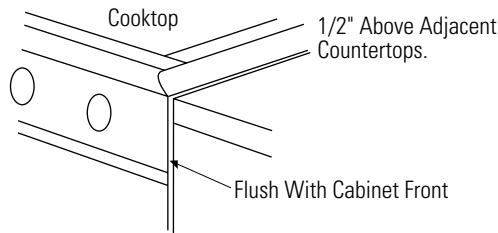
Monogram™

## ZGU48L6RDSS—48" Professional Gas Cooktop

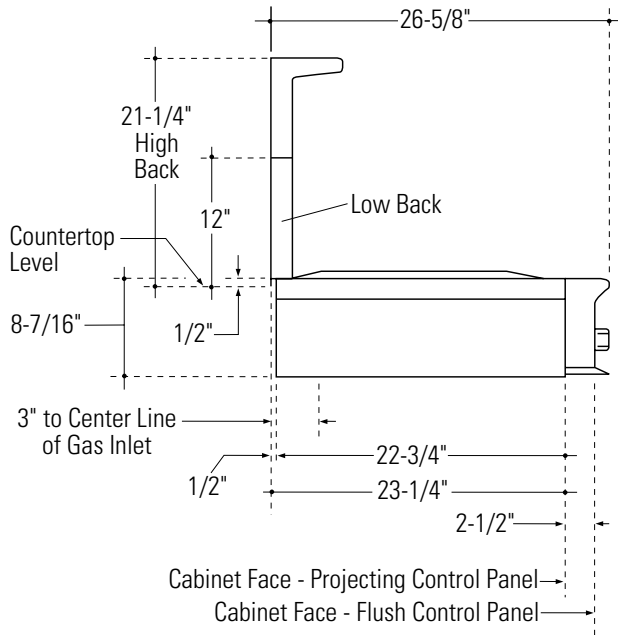
### Dimensions and Specifications (in inches)



Front Projects Outward as Shown From Standard Depth Cabinets.



Front Flush With Cabinets - a Minimum of 25-3/4" Cabinet Depth Required



This cooktop is factory set for liquid propane gas and has 6 gas burners and grill.

#### Natural Gas Model Also Available:

ZGU48N6RWSS—6 gas burners and grill.

#### Installation Options:

This cooktop can be installed in standard 24" or deeper 25" cabinets.

- In 24" deep cabinets, the front of the cooktop will project approximately 1-7/8" beyond the front of the countertop.
- In 25" deep cabinets, the cooktop will be flush with the front of the countertop
- The stainless surface of the cooktop will be 1/2" higher than adjacent countertop.

#### Accessory Requirements:

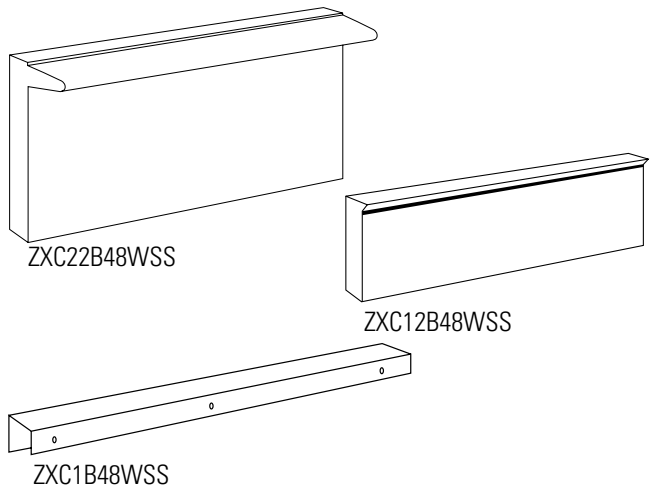
All models **require** the installation of a backguard. A backguard should be ordered at the same time as the cooktop. Both should be on site before cabinetry has been installed.

#### Order one backguard:

ZXC1B48WSS—1-1/2" high backguard (required for island installations)

ZXC12B48WSS—12" high backguard

ZXC22B48WSS—22" high backguard with warming shelf (2 piece)



For answers to your Monogram®, GE Profile™ or GE appliance questions, visit our website at [GEAppliances.com](http://GEAppliances.com) or call GE Answer Center® service, 800.626.2000.



Listed by Underwriters Laboratories

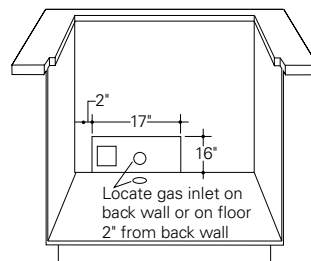
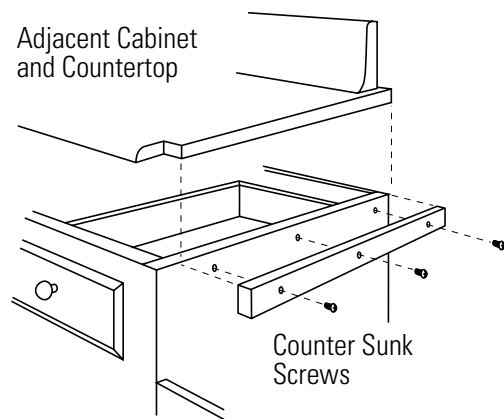
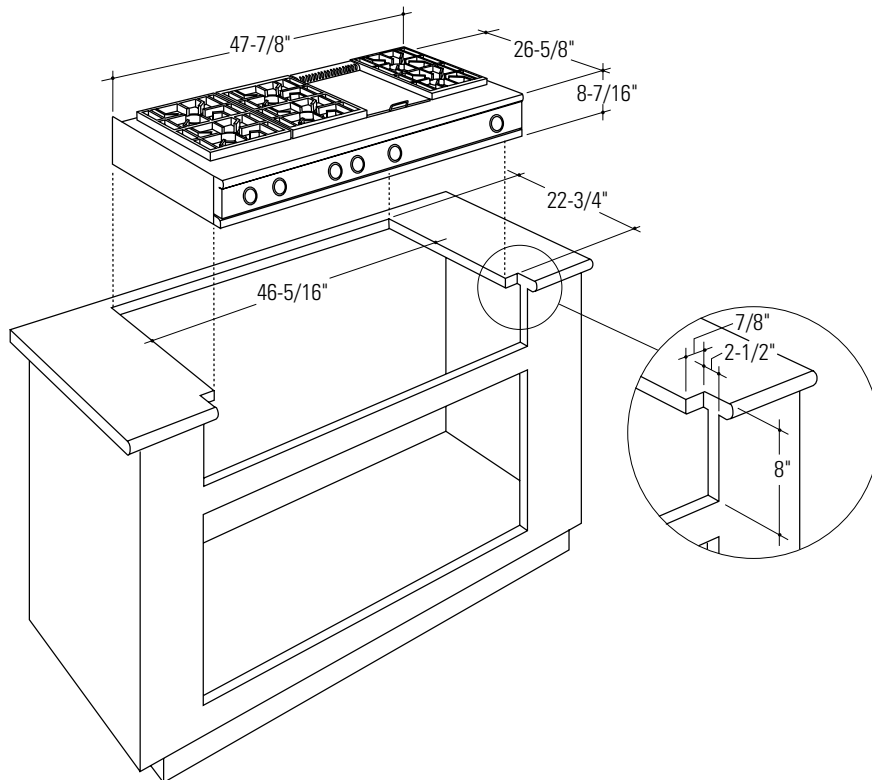




Monogram™

## ZGU48L6RDSS—48" Professional Gas Cooktop

### Dimensions and Specifications (in inches)



#### Cutting the Countertop Opening:

Measure carefully when cutting the countertop. Make sure sides of the opening are parallel.

- This Monogram™ gas cooktop is designed to fit in 48" or larger base cabinet.
- This cooktop requires 8" free space below the countertop.
- The cooktop is designed to hang from the countertop from its side flanges.

The countertop must be strong enough to support the weight of the cooktop.

- Smooth any rough edges on the countertop before installing.
  - Formica countertop edges must be finished.
- Support cleats can be secured to cabinet sides **OR** build a support deck or box inside the cabinet which will support the weight of the cooktop.
  - Build the support box using a solid material, cut a 5" x 5" square in the left rear corner for the gas inlet and power cord clearances.

#### Installation Information:

Before installing, consult installation instructions (Pub. No. 49-8812) packed with product for current dimensional data.

For answers to your Monogram®, GE Profile™ or GE appliance questions, visit our website at [GEAppliances.com](http://GEAppliances.com) or call GE Answer Center® service, 800.626.2000.

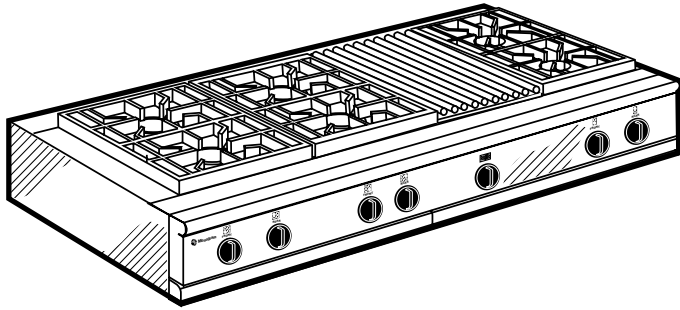


Specification Created 7/01



**Monogram™**

## ZGU48L6RDSS—48" Professional Gas Cooktop



### Features and Benefits

- Stainless Steel Model
- Liquid Propane Gas
- 48" Gas Cooktop
- Six (15,000/500 BTU) Dual-Ring Gas Burners
- 18,000 BTU Grill
- Cast-Iron, Porcelainized Burner Grates
- Stainless Steel, Slide-Out Drip Trays
- Electronic Ignition with Automatic Re-Ignition
- Commercial-Style Controls
- Stainless Steel Grill Cover
- Model ZGU48N6RDSS—Natural Gas
- Model ZGU48L6RDSS—Liquid Propane Gas

## Free Manuals Download Website

<http://myh66.com>

<http://usermanuals.us>

<http://www.somanuals.com>

<http://www.4manuals.cc>

<http://www.manual-lib.com>

<http://www.404manual.com>

<http://www.luxmanual.com>

<http://aubethermostatmanual.com>

Golf course search by state

<http://golfingnear.com>

Email search by domain

<http://emailbydomain.com>

Auto manuals search

<http://auto.somanuals.com>

TV manuals search

<http://tv.somanuals.com>