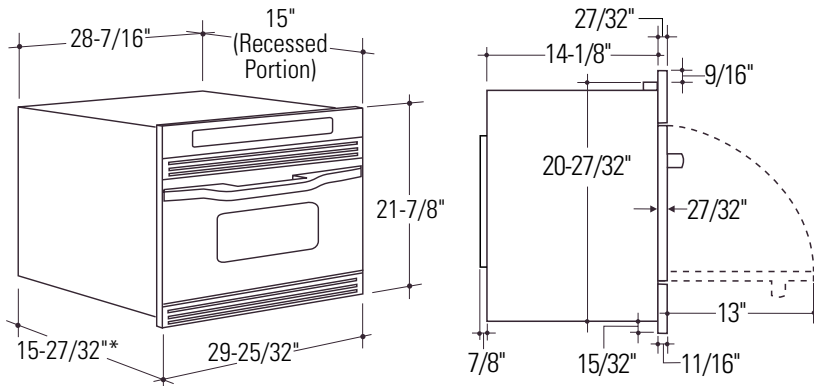




**Monogram®**

## ZSC2000FWW/BB – GE Monogram Built-In Advantium™ Oven

### Dimensions (in inches)



\*Excludes Handle

### Electrical Requirements

#### Single Speedcook Installation

Product rating is 120/208 or 120/240 volt, 60 Hz, 30 amps. This product must be connected to a supply circuit of the proper voltage and frequency and protected by a time delay fuse or circuit breaker. The power supply should be brought to a separate 30 ampere branch circuit. Wire size must conform to the requirements of the National Electric Code or the prevailing local code.

#### Combined Speedcook and Wall Oven Installation:

When installed in combination with a GE single wall oven, use separate electrical junction boxes,

OR,

Install a single junction box connected to 50 amp supply circuit or properly rated supply circuit.

- Refer to single oven installation instructions for electrical requirements of that product.
- These connections must be made by a qualified electrician. All electrical connections must meet National Electrical code or prevailing local codes.

#### Combined Speedcook and Warming Drawer Installation:

When installing the Speedcook oven over a GE electric warming drawer, a separate 120V, 60Hz, properly grounded receptacle must be installed. See instructions packed with the warming drawer.

### Installation Requirements

- These ovens may be installed directly into a wall or wall oven cabinetry, 30" minimum width.
- The front surface of the oven will be nearly flush with surrounding cabinetry doors.
- This oven can be installed over any GE single electric built-in oven or a single GE electric built-in warming drawer.
- This oven must be installed at least 36" above the floor.

**IMPORTANT:** This oven is not approved for use above another built-in Speedcook oven, side by side or under the countertop installations.

- For personal safety, this oven cannot be installed in a cabinet arrangement such as an island or peninsula.
- Cabinets installed adjacent to wall ovens must have an adhesion spec of at least 194°F temperature rating.
- Allow for clearance to adjacent corners, walls, drawers, etc.



Listed by  
Underwriters  
Laboratories

For answers to your Monogram®, GE Profile™ or GE appliance questions, visit our website at [GEAppliances.com](http://GEAppliances.com) or call GE Answer Center® service, 800.626.2000.

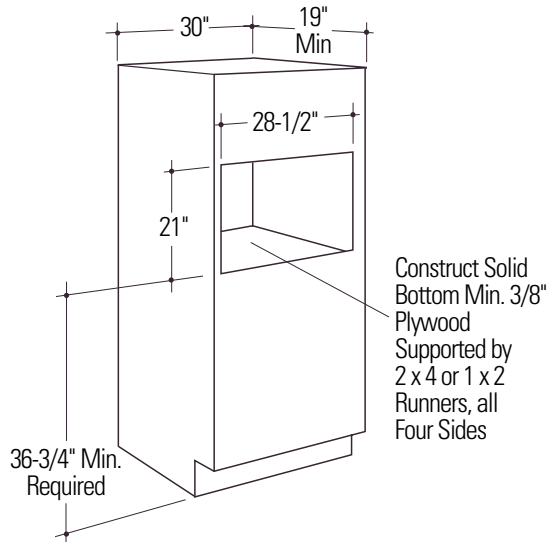
Specification Created 9/02



Monogram®

## ZSC2000FWW/BB – GE Monogram Built-In Advantium™ Oven

### Single Speedcook Installation

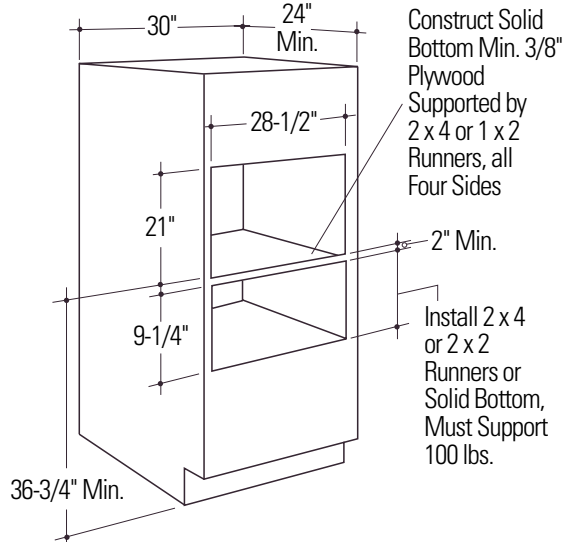


Order a 30" wide single oven cabinet or cut the opening in a wall to dimensions shown.

The rough opening must be:

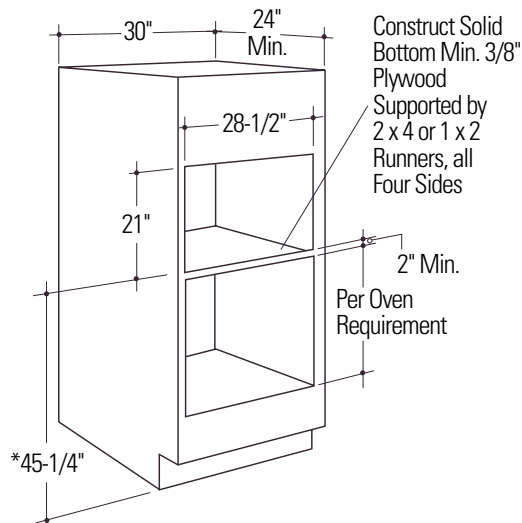
- Depth – 19" Min.
- Width – 28-1/2" Min.
- Height – 21" Min.
- 36-3/4" from the floor to the cutout is required.
- These ovens require 3/4" overlap on each side, top and bottom of the cutout.
- Oven overlaps will conceal cut edges on all sides of the opening.

### Speedcook Oven Installation above a GE Warming Drawer



Note: Additional clearance between the cutouts may be required. Check to be sure the oven supports above the warming drawer location do not obstruct the required interior 23-1/2" depth and 9-1/4" height. See installation instructions for details.

### Speedcook Oven Installation above a GE Built-In Wall Oven



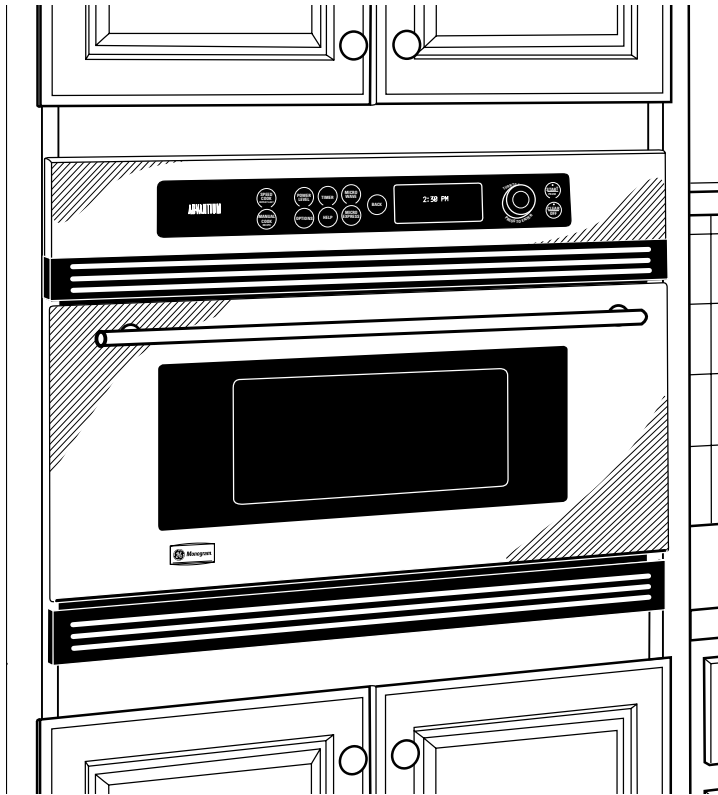
Listed by Underwriters Laboratories

For answers to your Monogram®, GE Profile™ or GE appliance questions, visit our website at [GEAppliances.com](http://GEAppliances.com) or call GE Answer Center® service, 800.626.2000.



**Monogram®**

## ZSC2000FWW/BB – GE Monogram Built-In Advantium™ Oven



### Features and Benefits

- Revolutionary Speedcook Technology Cooks Oven-Quality with Light in One-Fourth the Time
- Over 100 Pre-Programmed Menu Items with Repeat Last and Help Modes
- Bakes, Browns, Broils, Grills and Roasts – All with No Preheating
- Converts to Fully Functional 950 Watt Microwave Oven
- Family-Size Oven with Stainless Steel Interior
- Electronic Scrolling Display with Variable Scroll Speed
- Monogram Appearance
- Microwave Oven Features Auto Defrost/ Time Defrost
- Cooking Complete Reminder with Beeper Sound Level Control
- Interior Oven Light
- Child Lock-Out
- Frameless Glass Oven Door with Window
- Cookbook and Pan Set Included
- Model ZSC2000FWW – White on white
- Model ZSC2000FBB – Black on black
- Model ZSC2001FSS – Stainless steel

## Free Manuals Download Website

<http://myh66.com>

<http://usermanuals.us>

<http://www.somanuals.com>

<http://www.4manuals.cc>

<http://www.manual-lib.com>

<http://www.404manual.com>

<http://www.luxmanual.com>

<http://aubethermostatmanual.com>

Golf course search by state

<http://golfingnear.com>

Email search by domain

<http://emailbydomain.com>

Auto manuals search

<http://auto.somanuals.com>

TV manuals search

<http://tv.somanuals.com>