

# Installation Instructions

**If you have questions**, call 800-GE-CARES or visit our website at: **[www.monogram.com](http://www.monogram.com)**

## **36" Stainless Steel Gas Cooktops**

Natural Gas Model:  
ZGU375NS

LP Gas Model  
ZGU375LS



***Monogram.***<sup>®</sup>

Before you begin—Read these instructions completely and carefully.

**IMPORTANT:** Save these instructions for local inspector's use.

**IMPORTANT: OBSERVE ALL GOVERNING CODES AND ORDINANCES.**

**NOTE TO INSTALLER:** Be sure to leave these instructions with the Consumer.

**NOTE TO CONSUMER:** Keep these instructions with your Owners Manual for future reference.



## WARNING

This appliance must be properly grounded and with correct polarity. See "Power Supply", page 6.



## ATTENTION

Cet appareil doit être correctement mis à la terre. Voir << Alimentation électrique >> à la page 6.

Proper installation is the responsibility of the installer. Product failure due to improper installation is not covered under the GE Appliance Warranty. See the Owners Manual for warranty information.

**For Monogram local service in your area, call 1.800.444.1845.**

**For Monogram service in Canada, call 1.888.880.3030.**

**For Monogram Parts and Accessories, call 1.800.626.2002.**

### In the Commonwealth of Massachusetts:

- This product must be installed by a licensed plumber or gas fitter.
- When using ball type gas shut off valves, they shall be T-handle type.
- A flexible gas connector, when used, must not exceed 3 feet.

### FOR YOUR SAFETY

If you smell gas:

1. Open windows.
2. Don't touch electrical switches.
3. Extinguish any open flame.
4. Immediately call your gas supplier.

### FOR YOUR SAFETY

Do not store or use combustible materials, gasoline or other flammable vapors and liquids in the vicinity of this or any other appliance.

- Installation of this cooktop must conform with local codes, or in the absence of local codes, with the National Fuel Gas Code, ANSI Z223.1, latest edition. In Canada, installation must conform with the current

Natural Gas Installation Code, CAN/CGA-B149.1 or the current Propane Installation Code, CAN/CGA-B149.2, and with local codes where applicable.

- This cooktop has been design-certified by the American Gas Association according to ANSI Z21.1, latest edition and Canadian Gas Association according to CAN/CGA-1.1 latest edition.
- Your cooktop must be electrically grounded in accordance with local codes or, in the absence of local codes, in accordance with the National Electrical Code (ANSI/NFPA 70, latest edition). In Canada, electrical grounding must be in accordance with the current CSA C22.1 Canadian Electrical Code Part 1 and/or local codes.

## Contents

### Design Information

Models Available .....	3
Dimensions and Clearances .....	3
Advance Planning .....	3
Advance Planning, Installation Options .....	4
Tools and Materials Required .....	4

### Installation Preparation

Cut the Opening .....	5
Power Supply Locations .....	6

### Installation

Install Cooktop .....	7
Install Pressure Regulator .....	7
Connect Electrical .....	8
Assemble Burners, Check Ignition .....	8

### Installation Option

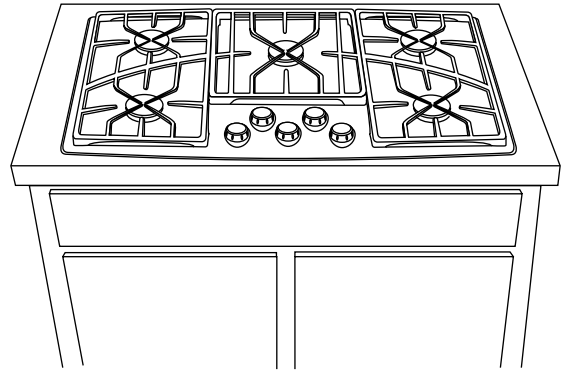
Installation with Downdraft Vent .....	9
Installation with Warming Drawer .....	10
Installation with Single Oven .....	11

## Design Information

### Stainless Steel Gas Cooktop

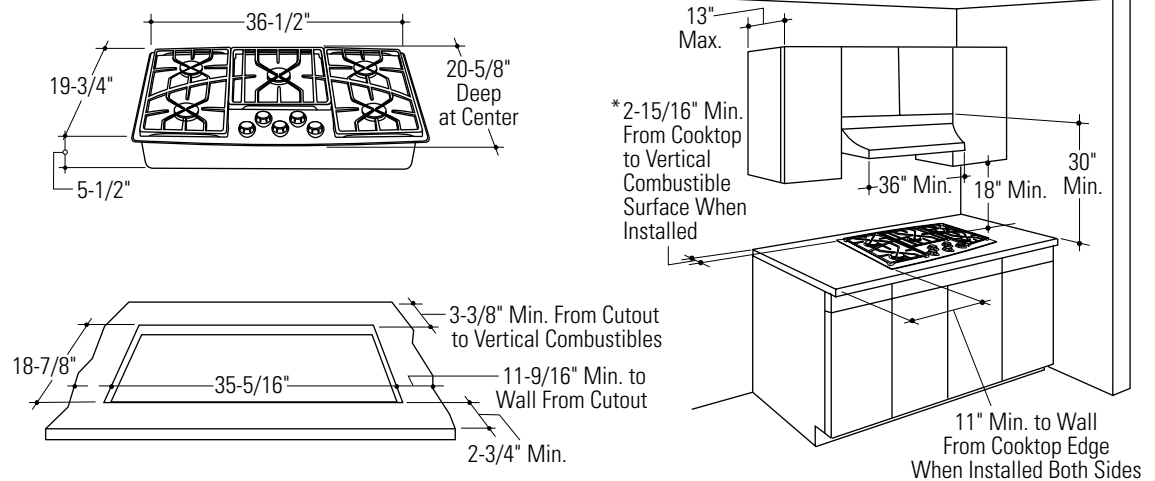
**ZGU375NS**  
**36" natural gas cooktop**  
**ZGU375LS**  
**36" LP gas cooktop**

For those who prefer gas heat for cooking, the Monogram built-in gas stainless steel cooktop offers the cooking method of choice.



These models are factory set for either natural gas or LP gas operation. Be sure to order the correct model for the installation situation.

### Dimensions and clearances



\* If a countertop backsplash is used, it must be constructed of non-combustible materials (such as masonry, ceramic, granite, stainless steel, etc.) whenever the cutout to rear vertical surface is less than 3-3/8".

**IMPORTANT:** Always maintain 2-3/4" Min. clearance from cutout to front edge of countertop.

### Advance planning

- Refer to "Installation Preparation" for information on appropriate placement and necessary clearances when planning installation.
- Avoid placing cabinetry directly above cooktop when possible.
- If cabinetry is used above cooking surface:
  - Use cabinets no more than 13" deep.
  - Maintain 30" minimum clearance between cooktop and unprotected cabinets directly above cooktop.
  - If clearance is less than 30", protect cabinet bottoms with flame-retardant millboard at least 1/4" thick, or gysum board at least 3/16" thick, covered with 28 gauge sheet steel or .02" thick copper.
- Clearance between cooktop and protected cabinetry must not be less than 24".
- An exhaust hood that projects at least 5" beyond front of cabinets can reduce risk of burns caused by reaching over heated surface units.
- Working areas adjacent to the cooktop should have 18" minimum clearance between countertop and cabinet bottom.
- Use the Monogram gas stainless steel cooktop with any 36" or wider exhaust hood with **350 CFM** or greater air flow rating.
- Installation must conform with local codes. In the absence of local codes, the gas cooktop must comply with the National Fuel Gas Code, ANSI Z223.1, latest edition.

### *Advance planning installation options*

#### **Cooktop and ZVB36 Downdraft Vent Combination Installation. See page 9.**

These cooktops may be installed with a 36" Monogram Downdraft Vent, models ZVB36.

- See page 9 for cutout and clearances.
- The countertop must have a deep flat surface to accommodate the combined installation of the cooktop and vent.
  - The downdraft vent with blower, motor and ductwork will occupy the base cabinet.
  - Consideration must be given to electrical and gas supply locations. See page 6.
  - Read the Downdraft Vent Installation Instructions packed with the product, or to review ahead of time, order Pub. No. 49-80185.

#### **Cooktop and ZTD910 Warming Drawer Combination Installation. See page 10.**

These cooktops may be installed over a Monogram 30" Warming Drawer, models ZTD910. See page 10 for cutout and clearances.

- Consideration must be given to electrical and gas supply locations. See page 6.
- Read the Warming Drawer Installation Instructions packed with the product, or to review ahead of time, order Pub. No. 49-8937.

#### **Cooktop and ZET837 Single Oven Combination Installation. See page 11.**

These cooktops may be installed over a Monogram 30" Oven, model ZET1038. See page 11 for cutout and clearances.

- Consideration must be given to electrical and gas supply locations. See page 6.
- Read the 30" Oven Installation Instructions packed with the product, or to review ahead of time, order Pub. No. 49-80188.

### *Tools and Materials Required*

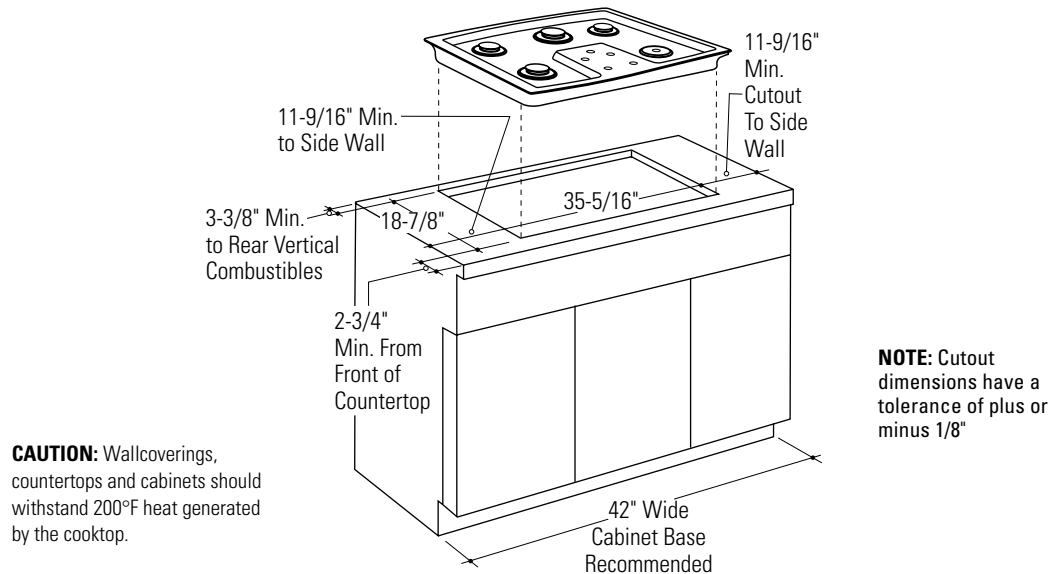
- Gas pressure regulator (supplied)
- 90° street elbow (supplied), may be required with a downdraft vent combination installation.
- Wok ring (accessory supplied on some models)
- Saw
- Carpenter's square
- Pipe wrench
- Manual gas line shut-off valve
- 3/4" NPT x 3/4" I.D. or 1/2" NPT x 1/2" I.D. flare union adaptor for connection to supply line
- 1/2" NPT x 3/4" I.D. or 1/2" I.D. flare union adaptor for connection to regulator
- Gas-resistant pipe joint sealant
- 5 foot AGA-certified flexible metal appliance connector, 3/4" or 1/2" I.D. to match gas supply line:
  - If required by local codes, use solid pipe with fittings.

**NOTE: Purchase new flexible line, DO NOT USE OLD, PREVIOUSLY USED FLEXIBLE LINE.**

# Installation Preparation

## Stainless Steel Gas Cooktop

### Cut the Opening



Measure carefully when cutting countertop. Make sure sides of opening are parallel and rear and front cuts are exactly perpendicular to sides.

- The Monogram stainless steel gas cooktop is designed to fit in a 42" or larger base cabinet. If the cooktop is installed into a 36" cabinet base, modifications may be required. A 36" cabinet base must allow for installation of hold-down clips at the sides. The side walls may need to be cut away to provide this space.
- The countertop cutout for cooktop must be:
  - 35-5/16" min. to 35-7/16" max. wide
  - 18-7/8" min. to 19" max. deep
  - Allow at least 3-3/8" clearance between back of cutout and vertical combustible wall.
  - Allow at least 11-9/16" clearance from right and left side of cutout to adjacent wall.
  - Allow at least 2-3/4" clearance between front of cutout and front edge of countertop.

- The cooktop chassis occupies 5-1/2" space below countertop.
- If installing cooktop above a cabinet with drawers, it may be necessary to use a shorter length drawer to allow clearance for gas connection.
- In some cases, two 3/8" I.D. 45° elbows and a pipe nipple may be added between regulator and cooktop to move regulator further back in order to avoid interference with drawer.

**NOTE:** Some countertops made from solid surface materials, such as Corian® may require special cutout preparation (such as radius corners and aluminum foil tape). Always consult the countertop manufacturer for specific instructions.

### Optional Combination Installations.

This cooktop may be installed in combination with a ZVB36 Monogram Downdraft Vent, with a ZTD910 Warming Drawer, or a ZET1038 single wall oven. See "Optional Installations", pages 9 through 11, for cutout and clearances of these installations.

## Installation Preparation

### Stainless Steel Gas Cooktop

#### Power supply locations

#### Gas supply:

These cooktops are shipped from the factory set for either natural gas or LP gas. Check to be sure you have the correct cooktop for the type of gas being used.

- The pressure regulator must be connected in series with the manifold of the cooktop and must remain in series with the supply line regardless of type of gas being used.
- The natural gas model is designed to operate at 5" water column pressure. A regulator is required at the natural gas source to provide a maximum of 7" water pressure to the cooktop regulator.
- The liquid propane model is designed to operate at 10" water column pressure. A regulator is required at the LP source to provide a maximum of 14" water pressure to the cooktop regulator.

For ease of installation, and if local codes permit, the gas supply line into the cooktop should be 1/2" or 3/4" ID flexible metal appliance connector, three to five feet long. **NOTE: Purchase new flexible line. DO NOT USE OLD, PREVIOUSLY USED FLEXIBLE LINE.**

- Make gas connection through rear wall, or on cabinet floor at rear, as illustrated.

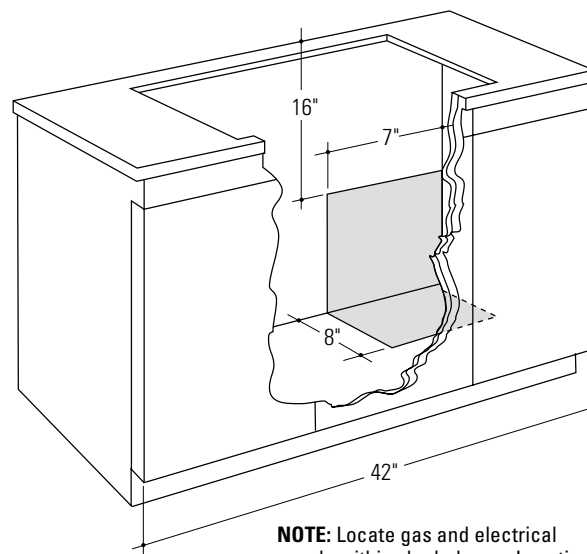
#### Electrical supply:

This cooktop features pilotless electric ignition for energy savings and reliability. It operates on a 120 volt, 60 Hz power supply. A separate circuit, protected by a 15 amp time delay fuse or circuit breaker, is required.

#### Optional Combination Installations

This cooktop may be installed in combination with a ZVB36 Monogram Downdraft Vent, a ZET1038 Single Oven or a ZTD910 Warming Drawer.

- The gas and electrical supply must be located where it will not interfere with vent housing, the oven or the warming drawer. See pages 9 through 11 for alternate installation requirements.



**NOTE:** Locate gas and electrical supply within shaded area. Locations shown for a 42" cabinet base, adjust when using other cabinet size.

- A properly-grounded 3-prong receptacle should be located within reach of cooktop's four foot power cord.

**IMPORTANT: (Please read carefully). FOR PERSONAL SAFETY, THIS APPLIANCE MUST BE PROPERLY GROUNDED.**

- The power cord of this appliance is equipped with a three-prong (grounding) plug which mates with a standard three-prong grounding wall receptacle to minimize the possibility of electric shock hazard from this appliance.
- The customer should have the wall receptacle and circuit checked by a qualified electrician to make sure the receptacle is properly grounded and has correct polarity.
- Where a standard two-prong wall receptacle is encountered, it is the personal responsibility and obligation of the customer to have it replaced with a properly grounded three-prong wall receptacle.

**Do Not, Under Any Circumstances, Cut Or Remove The Third (ground) Prong From The Power Cord.**

Do not use an extension cord.

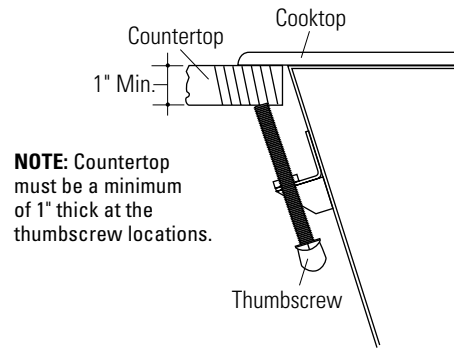
**IMPORTANT:** Improper grounding and improper polarity of the house wiring can cause continuous sparking of the ignition system. Be sure to check for correct grounding and polarity.

## Installation

### Stainless Steel Gas Cooktop

#### Step 1 Install Cooktop

- Remove packaging from the cooktop.
- Position the cooktop over the opening, making sure that the power cord is dropped into the cabinet.
- Lower the cooktop into the cutout, pressing gently and evenly to seat.
- Thumbscrew brackets are located on the right and left sides of the cooktop.
- Turn thumbscrews to touch the underside of the countertop until just finger tight. Do not overtighten.



#### Step 2 Install Pressure Regulator

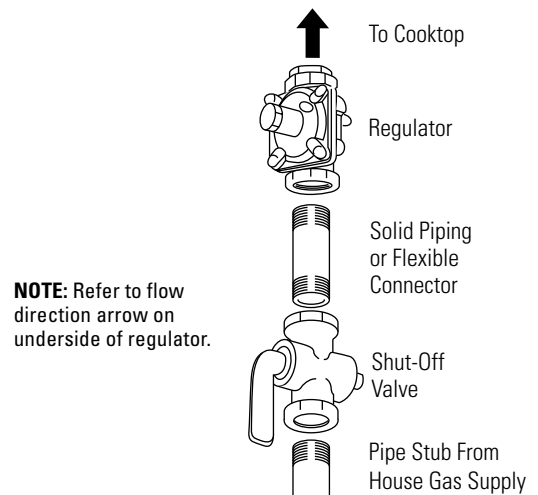
- Install the supplied pressure regulator and nipple in the gas line as close to the cooktop inlet as possible.
  - Make sure the regulator is installed in the right direction. See arrow on underside of regulator.
- Install a manual shut-off valve in the gas line in an easily accessible location.

**NOTE:** Instead of using solid piping to connect to pressure regulator, an approved flexible metal appliance connector may be used between the pipe stub and the shut-off valve to the pressure regulator, if local codes permit.

- Appropriate flare nuts and adapters are required at each end of the flexible connector.
- Turn on the gas. Check for leaks using a liquid leak detector at all joints in the system (the pressure test fitting is on the side of the regulator).

**CAUTION** Do not use a flame to check for gas leaks.

**PRUDENCE** IL NE FAUT PAS UTILISER DE FLAMME POUR VÉRIFIER S'IL Y A DES FUITES.



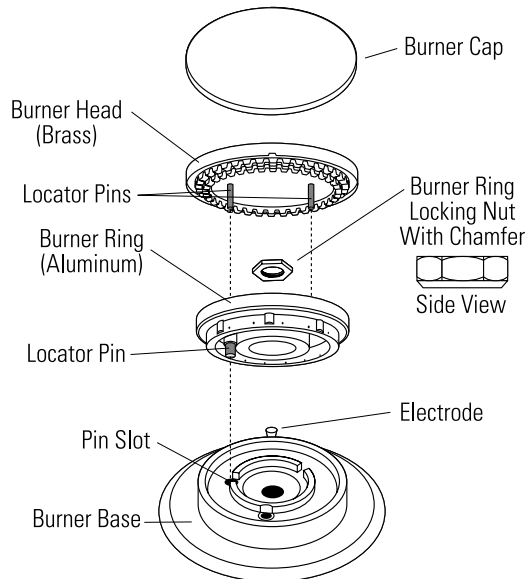
**IMPORTANT:** Disconnect the cooktop and the individual shut-off valve from the gas supply piping system during any pressure testing of that system at test pressures greater than 1/2 psig. Isolate the cooktop from the gas supply piping system by closing the individual manual shut-off valve to the cooktop during any pressure testing of the gas supply piping system at test pressures equal to or less than 1/2 psig.

## Step 3 Connect electrical

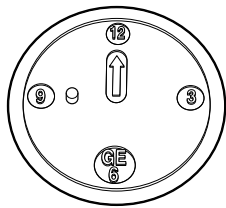
- Check to be sure the receptacle is properly wired by checking for proper polarity and grounding.
- Plug in power cord.

## Step 4 Assemble burners, check ignition

- Remove tape on burners.
- Assemble burner as shown. Check to be sure that burner heads and caps are securely seated. Pin(s) must completely engage holes to ensure proper assembly.



**NOTE:** Locator Pin Fits Into Burner Base Pin Slot



To aid reassembly, each brass Burner Head is marked with a clock face. Replace the Burner Head with the arrow pointing to the rear of the cooktop (12 o'clock position).

- Check for proper ignition:
  - Push in one control knob and turn 90° to HIGH position.
  - The igniter will spark and the burner will light; the igniter will cease sparking when the burner is lit.
  - First test may require some time, while air is flushed out of the gas line.
  - Turn knob to OFF.
  - Repeat the procedure for each burner.

**IMPORTANT:** If the ignitor electrodes continue to spark after the burners are lit, check that each burner component is assembled and seated properly by observing constant gaps between each layer. Disassemble and reassemble as required.



**Cooktop Installation with a 36" Monogram Downdraft Vent, models ZVB36.**

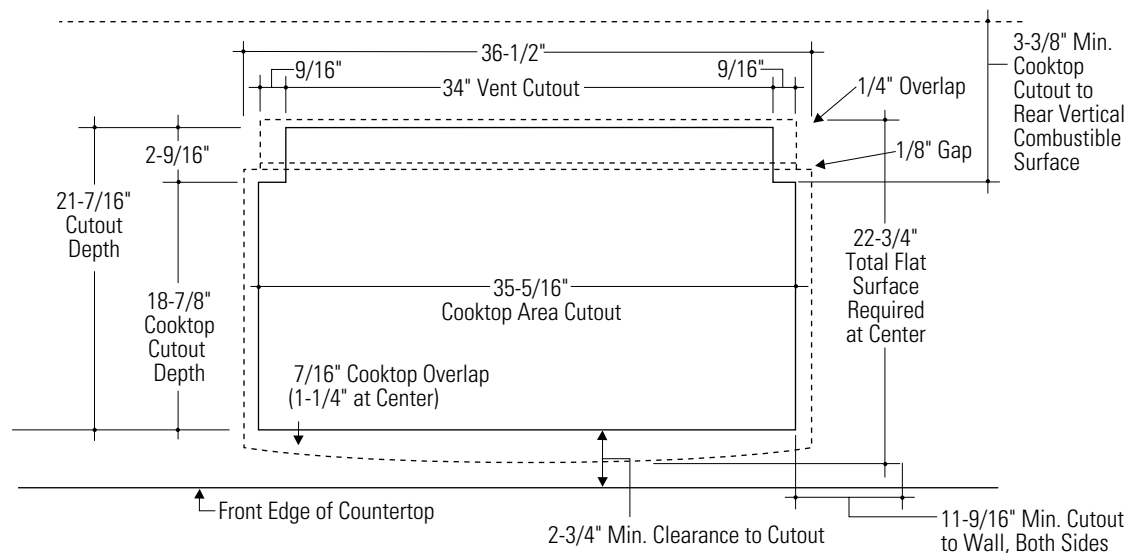
The installation of the downdraft vent with this cooktop requires careful consideration. Both the cooktop and the vent must be installed according to each specific installation instruction. For accurate planning, review the Downdraft Vent Installation Instructions in advance, order Pub. No. 49-80185.

**Countertop Requirements:**

The countertop must have a deep flat surface to accommodate the cooktop and vent. Countertops with a rolled front edge and backsplash will not provide the flat surface area required.

- Review the illustration to determine the countertop surface requirements.
- All cutout clearances for this installation must be observed.

**Top View—Countertop Surface**



**Base Cabinet Requirements:**

The combined installation will fit in a standard 24" deep base cabinet. A base cabinet at least 42" wide is recommended.

- The vent housing, blower and ductwork will occupy the base cabinet.

**Power Supply:**

If local codes permit, the vent and cooktop may operate from the same 120V, 15 amp duplex outlet. Locate the gas and electrical supply as shown on page 6.

**Ductwork:**

Ductwork should be planned in advance.

- The blower system is designed for use with 3-1/4" x 10" ductwork. It can be transitioned to 6" round.
- The ductwork **MUST** be vented to the outside.
- The duct run should not exceed 150 ft. or equivalent length when bends or various fittings are used.

Again, refer to Downdraft Vent Installation Instructions for details.

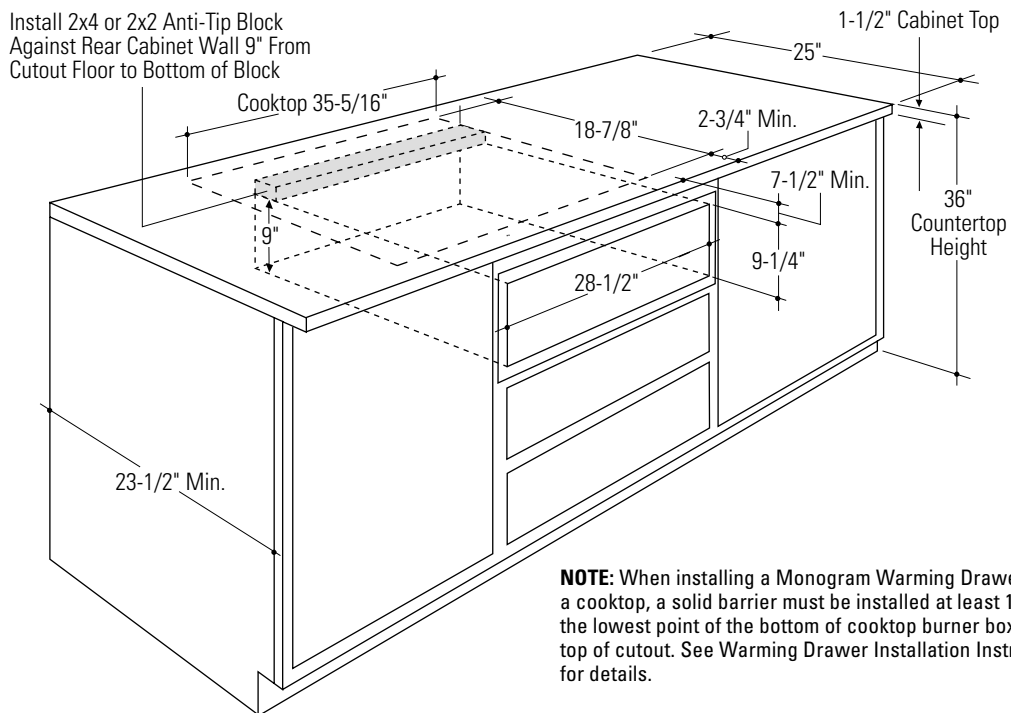
**Cooktop Installation Over a 30" Monogram Warming Drawer, models ZTD910.**

These cooktops may be installed over a 30" Warming Drawer. Both the cooktop and the warming drawer must be installed according to each specific installation instruction. For accurate planning, review the Warming Drawer Installation Instructions in advance, order Pub. No. 49-8937.

–Allow 2" clearance between the cooktop bottom and the top of the cutout, or 7-1/2" from the top of the countertop as illustrated.

**Power Supply:**

If local codes permit, the cooktop and warming drawer may operate from the same 120V duplex outlet. See page 6.

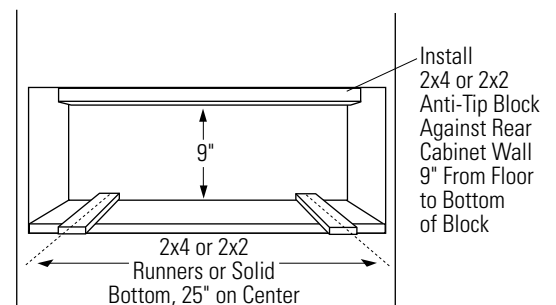


**NOTE:** When installing a Monogram Warming Drawer below a cooktop, a solid barrier must be installed at least 1" from the lowest point of the bottom of cooktop burner box to the top of cutout. See Warming Drawer Installation Instructions for details.

**IMPORTANT: Base Cabinet Requirements for Combined Installation**

A 42" wide base cabinet should be used. Narrow custom doors or decorative stiles can be used to fill the 6" gap on each side of the warming drawer.

- 30" or 36" base cabinets are not recommended.



**NOTE:** The support must be level, rigidly mounted and capable of supporting 150 lbs.

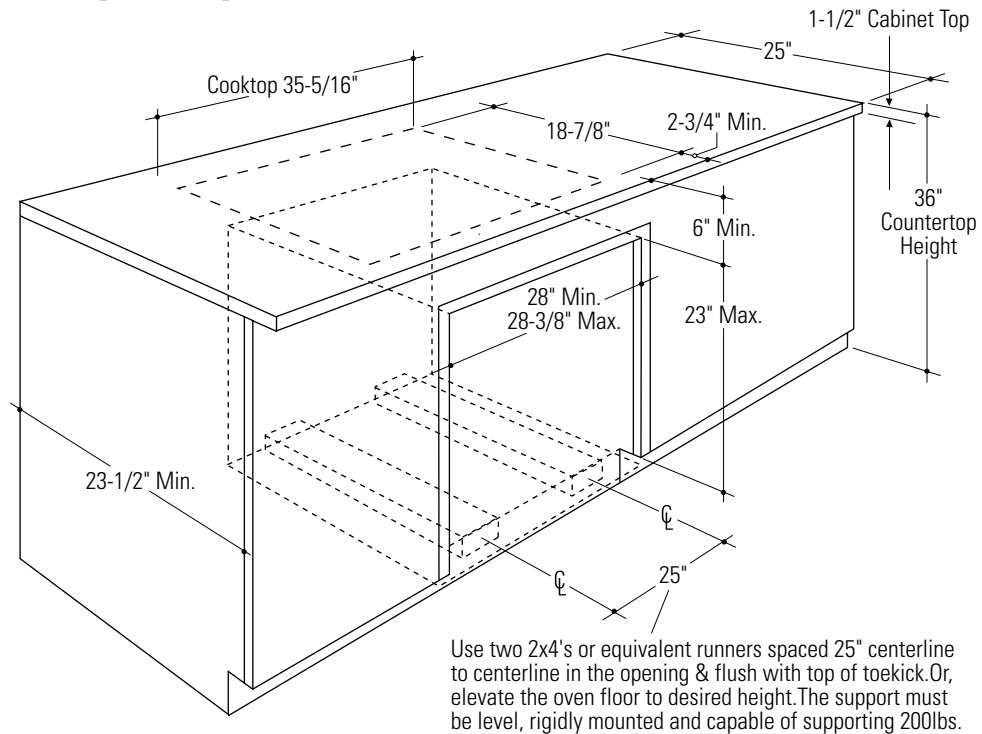
**Cooktop Installation Over a 30" Monogram Single Oven, models ZET1038.**

These cooktops may be installed over the Monogram ZET1038 single oven. Both the cooktop and the oven must be installed according to each specific installation instruction. For accurate planning, review the 30" Oven Installation Instructions in advance, order Pub. No. 49-80188.

–Allow 6" Min. clearance from the top of the countertop to the top of the oven cutout.

**Power Supply:**

The oven requires a separate, properly grounded 30 Amp, 3-wire 120/208 or 120/240 volt, 60 Hz power supply. The cooktop requires a separate 120V power supply. See page 6. Where codes permit, the gas shut-off valve may be located in an adjacent cabinet or other easily accessible location.



**IMPORTANT: Base Cabinet Requirements for Combined Installation**

A 42" wide base cabinet should be used. Narrow custom doors or decorative stiles can be used to fill the 6" gap on each side of the oven.

- For best appearance the cooktop should be centered over the oven.
- 30" or 36" base cabinets are not recommended.

**NOTE:** While performing installations described in this book, safety glasses or goggles should be worn.

*For Monogram® local service in your area, call 1-800-444-1845.*

**NOTE:** Product improvement is a continuing endeavor at General Electric. Therefore, materials, appearance and specifications are subject to change without notice.



**Monogram.®**

GE Consumer & Industrial  
Louisville, KY 40225

©2004 GE Company

Pub. No. 49-80218-1
Dwg. No. 164D4290P370

03-04 JR

11173-E

## Free Manuals Download Website

<http://myh66.com>

<http://usermanuals.us>

<http://www.somanuals.com>

<http://www.4manuals.cc>

<http://www.manual-lib.com>

<http://www.404manual.com>

<http://www.luxmanual.com>

<http://aubethermostatmanual.com>

Golf course search by state

<http://golfingnear.com>

Email search by domain

<http://emailbydomain.com>

Auto manuals search

<http://auto.somanuals.com>

TV manuals search

<http://tv.somanuals.com>