

A ,

B -  
36"

36"



**Monogram®**

*Introduction*

: [www.monogram.com](http://www.monogram.com).

*Contents*

**Consumer Services**

.....	19
.....	3
.....	16, 17
.....	3
.....	4 7
.....	B C

**Care and Cleaning**

C A	.....	13
C	.....	13
B	.....	14
.....	.....	14

**Operating Instructions**

A	.....	9
.....	.....	11, 12
.....	.....	10
C	.....	8
A	.....	9
.....	.....	11

**Preparation**

C	.....	15
.....	.....	15
.....	.....	15

*Before using your refrigerator/freezer*

**OR**

: [www.monogram.com](http://www.monogram.com)

Write  
down the  
model &  
serial  
numbers

Before sending in this card, please write these  
numbers here:

A C  
C

If you  
received a  
damaged  
refrigerator/  
freezer

Save time  
& money

B

If you  
need  
service

**For customers in Canada:**

**For customers in the USA:**

A C  
A 40225

C  
1 310  
B 1C9 3

---

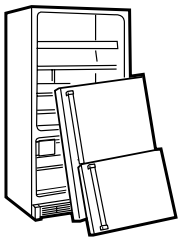
## READ AND SAVE THESE INSTRUCTIONS

### WARNING—

- Use this appliance only for its intended purpose
  - This refrigerator/freezer must be properly installed in accordance with the Installation Instructions before it is used.
  - Do not allow children to climb, stand or hang on the shelves in the refrigerator/freezer.
  - Do not touch the cold surfaces in the freezer compartment when hands are damp or wet.
  - Do not store or use gasoline or other flammable vapors and liquids in the vicinity of this or any other appliance.
- If your freezer has an automatic icemaker,
  - Unplug your refrigerator/freezer before cleaning and making repairs. NOTE:
  - Before replacing a burned-out light bulb, (A) NOTE:
  - Do not refreeze frozen foods which have thawed completely.

---

## **▲ DANGER: RISK OF CHILD ENTRAPMENT**



C

Before You Throw Away Your Old Refrigerator/Freezer or Freezer:

- 
- 

---

## REFRIGERANTS

A

---

## LIRE ET CONSERVER CES INSTRUCTIONS

### AVERTISSEMENT :

- N'utilisez l'appareil que pour son usage prévu,
- Installez le réfrigérateur/congélateur conformément aux directives d'installation avant de l'utiliser.
- Ne laissez pas les enfants grimper, s'asseoir, se tenir debout ni se pendre aux clayettes du réfrigérateur/congélateur.
- Une fois le congélateur en marche, ne touchez pas les surfaces froides du congélateur, surtout si vous avez les mains humides ou mouillées :
- N'entreposez et n'utilisez pas d'essence ou autres vapeurs et liquides inflammables à proximité de cet appareil ou de tout autre appareil électroménager.

- Pour les réfrigérateurs doté d'une machine à glaçons automatique,

- Débranchez votre réfrigérateur/congélateur avant de le nettoyer et de le réparer.

#### REMARQUE :

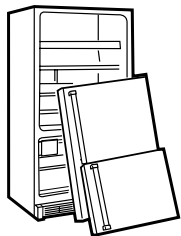
- Avant de remplacer une ampoule grillée,

#### REMARQUE :

- Ne faites PAS recongeler des aliments surgelés qui ont complètement dégelé.

---

## ▲ DANGER : RISQUES POUR LES ENFANTS



Avant de vous débarrasser de votre vieux appareil de réfrigération :

- 
- 

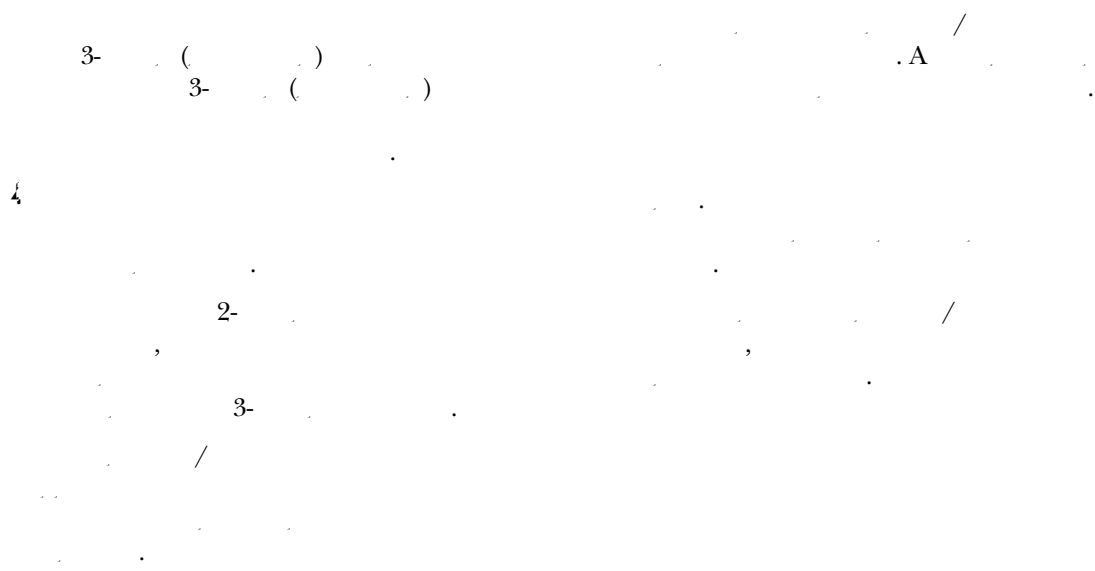
---

## RÉFRIGÉRANTS



## HOW TO CONNECT ELECTRICITY

Do not, under any circumstances, cut or remove the third (ground) prong from the power cord. For personal safety, this appliance must be properly grounded.



**DO NOT USE AN ADAPTER PLUG TO CONNECT THE REFRIGERATOR/FREEZER TO A 2-PRONG OUTLET.**

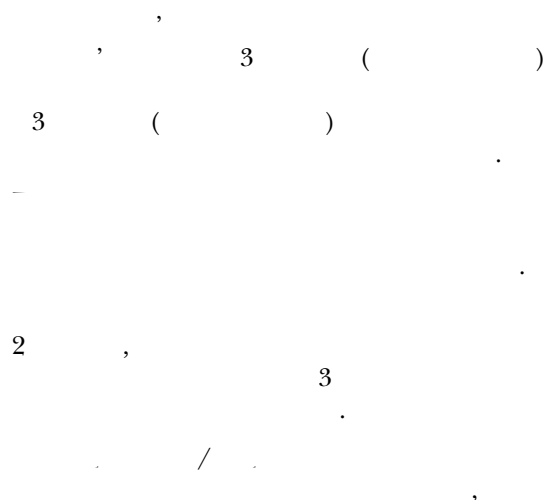
**DO NOT USE AN EXTENSION CORD WITH THIS APPLIANCE.**



---

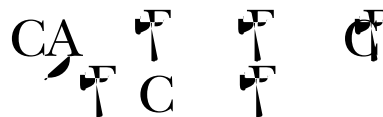
## RACCORDEMENT ÉLECTRIQUE

Ne coupez ni retirez en aucun cas la troisième broche (mise à la terre) de la fiche du cordon d'alimentation. Pour votre sécurité, cet appareil doit être correctement mis à la terre.



**N'UTILISEZ PAS UNE FICHE D'ADAPTATION POUR RACCORDER LE RÉFRIGÉRATEUR/CONGÉLATEUR DANS UNE PRISE MURALE À 2 ALVÉOLES.**

**N'UTILISEZ PAS DE CORDONS PROLONGATEURS AVEC CET APPAREIL.**



*Set the  
temperature  
control*

**WHEN YOU FIRST TURN THE  
REFRIGERATOR/FREEZER ON,  
SET THE CONTROL AT 5.**

**5** 5 IS NORMAL  
9 IS COLDEST

9  
1

**IMPORTANT:** When first setting the control,  
or adjusting it, allow 24 hours for the  
refrigerator/freezer to get cold.

**NOTE:** Turning the control to the OFF  
position stops cooling in the refrigerator/  
freezer, but does not shut off power to  
the refrigerator/freezer.



*How to test  
temperatures*

Use the milk test for the refrigerator.

Use the ice cream test for the freezer.

Always allow 24 hours for the refrigerator/  
freezer to reach the temperature you set.



Refrigerator/Freezer

Automatic icemaker (freezer models)

A newly-installed freezer may take 12–24 hours to begin making ice.

24 100 130

O (off).

I (on).

15 A  
12 24

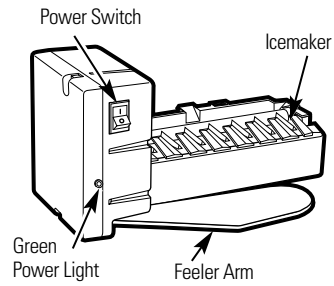
O (off)  
I (on)

B

A

45

NOTE:



Water filter accessory

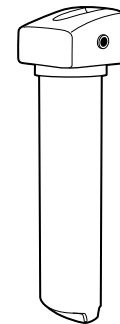
A , 800.626.2002 , G A

B 1/4" A

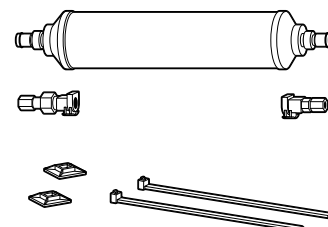
B 800.626.2002, G A

Model No. Replacement Cartridge No.

G G  
G G



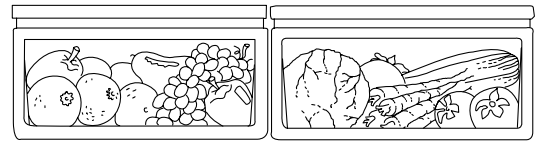
In-Line Refrigerator/Icemaker Filter Model #GXRLQ



Refrigerator Water Filter Kit Model #GXITQ

*Refrigerator—  
Storage  
drawers*

**Slide the control all the way to the High  
higher humidity levels**



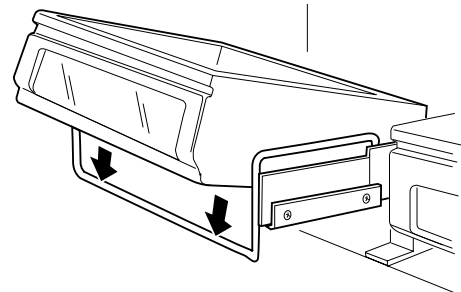
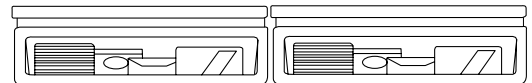
**Slide the control all the way to the Low  
lower humidity levels**



*Refrigerator—  
Sealed snack  
pans*

**To remove a snack pan,**

**To replace a snack pan,**

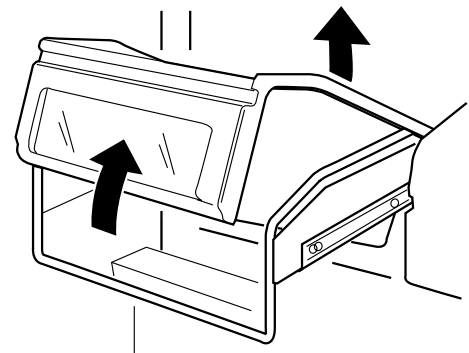


*Drawer  
removal*

**To remove a drawer,**

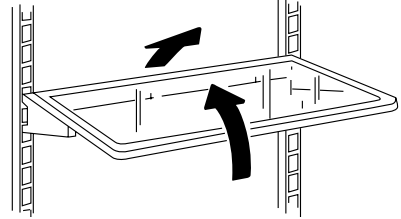
**To remove the upper drawers when the door  
cannot be opened fully,**

**To replace a drawer,**

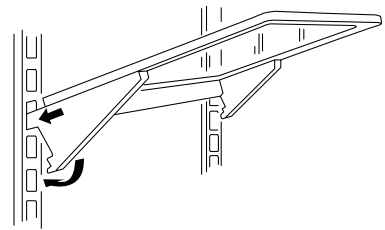


*Adjustable shelves*

**To remove shelves:**



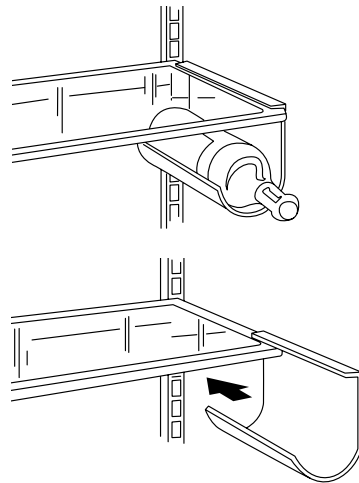
**To replace shelves:**



---

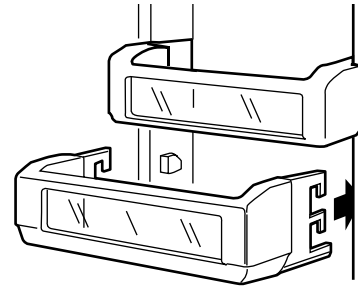
*Removable wine rack  
(on all refrigerator models)*

**To relocate the wine rack:**



*Door  
shelves*

**To remove:**



*Cleaning outside*

Door handles and trim—C

Keep the outside clean.

Stainless steel—

Stainless Steel

Magic  
Stainless Steel Magic  
A , 800.626.2002,  
A A  
10 15.

*Cleaning inside*

To help prevent odors,



Turn off power at the circuit breaker or fuse box before cleaning.

Other parts of the refrigerator/freezer—

A

Avoid cleaning cold glass shelves with hot water because the extreme temperature difference may cause them to break. Handle glass shelves carefully. Rough handling of tempered glass can cause it to shatter.

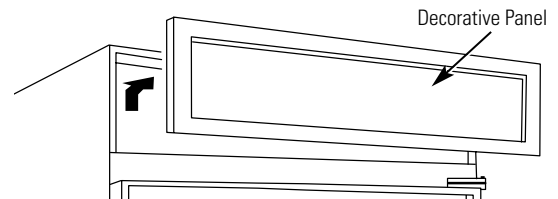
Do not wash any plastic refrigerator/freezer parts in the dishwasher.

(15 )  
(1 )

*Condenser*

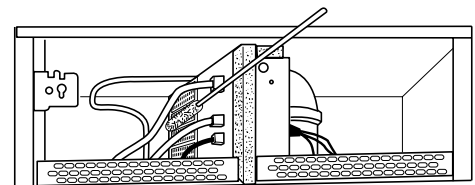
To clean the condenser fins:

30



After cleaning:

Replace the decorative panel.



*Preparing  
for  
vacation*

**For shorter vacations,**

Turn the control knob to **A** (15 °C) or **B** (16 °C) for shorter vacations, or to **60** (16 °C),

**O (off)**

*Upper light  
bulb  
replacement*

Turning the control to **OFF** does not remove power to the light circuit.

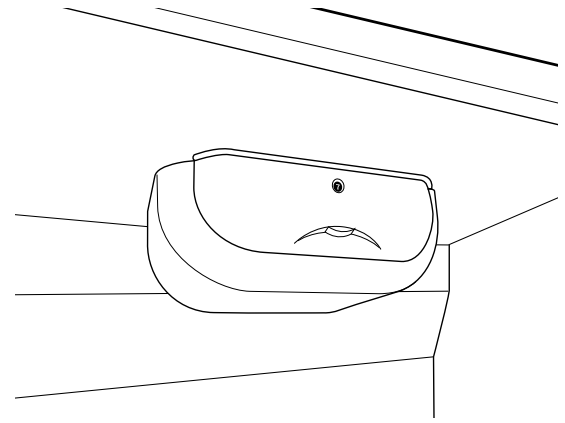
**To replace a bulb:**

1

2 G

3

4



*Lower light  
bulb  
replacement*

**To replace a bulb:**

1

2

3

Refrigerator/  
freezer  
location

Do not install the refrigerator/freezer where temperatures will be below 60°F (16°C)

For proper installation, the refrigerator/freezer must be placed on a level surface of hard material the same height as the rest of the flooring. This surface should be strong enough to support a fully loaded refrigerator/freezer, or approximately 1,200 lbs. each. See the Installation Instructions (Pub. No. 49-60073-3) for complete directions.

Clearances

4"  
90°

A 15"

A 25"

130

( 49-60073-3)

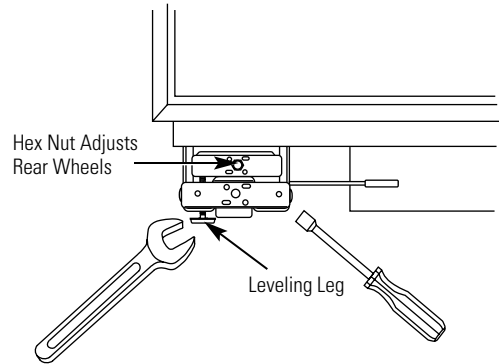
Leveling

• A

• 7/16"

• 1-1/4"

• A



**⚠ CAUTION**

1".  
84-1/2"  
C  
If you attempt to raise the refrigerator more than 1", you will damage the front leveling legs and rear leveling wheels.

49-60073-3)

**⚠ MISE EN GARDE**

25 (1 )  
2,15 (84-1/2 )

Lever le réfrigérateur de plus de 25 mm (1 po) endommage les pattes de nivellement avant et les roues de nivellement arrière.

Questions?  
Use this  
problem  
solver!

PROBLEM	POSSIBLE CAUSE
<b>REFRIGERATOR/ FREEZER DOES NOT OPERATE</b>	30 A
<b>MOTOR OPERATES FOR LONG PERIODS OR CYCLES ON AND OFF FREQUENTLY</b> (Modern refrigerators and freezers with more storage space and a larger freezer require more operating time. They start and stop often to maintain even temperatures.)	24 A C C
<b>VIBRATION OR RATTLING</b> (Slight vibration is normal.)	
<b>OPERATING SOUNDS</b>	A A A A C
<b>DOOR NOT CLOSING PROPERLY</b>	/
<b>REFRIGERATOR/ FREEZER TOO WARM</b>	C



*Questions?*  
*Use this*  
*problem*  
*solver!*

<b>PROBLEM</b>	<b>POSSIBLE CAUSE</b>
<b>FROST OR ICE CRYSTALS ON FROZEN FOOD</b> (Frost within package is normal.)	
<b>SLOW ICE CUBE FREEZING</b>	
<b>ICE CUBES HAVE ODOR/TASTE</b>	A /
<b>AUTOMATIC ICEMAKER DOES NOT WORK</b>	O (off)
<b>MOISTURE FORMS ON OUTSIDE OF REFRIGERATOR/FREEZER</b>	
<b>MOISTURE COLLECTS INSIDE</b>	/
<b>REFRIGERATOR/FREEZER HAS ODOR</b>	C C C / ; 3
<b>INTERIOR LIGHT DOES NOT WORK</b>	C C



**With the  
assurance  
we'll be**

**GE Answer  
Center®**

**In the USA:  
800.626.2000**

24

**In Can**

**OR**

**In-Home Repair  
Service**

A G

**In the USA:  
800.444.1845**

9:00

**In Canada:  
888.880.3030**

**For Customers  
With Special  
Needs...**

**In the USA:  
800.626.2000**

**Service Contracts**

**In the USA:  
800.626.2224**

**In Canada:  
888.880.3030**

**Parts and  
Accessories**

**In the USA:  
800.626.2002**

**In Canada:  
888.880.3030**

Individuals qualified to service their own appliances

G

47,000

G G

A, C

User maintenance instructions contained in this manual cover procedures intended to be performed by any user. Other servicing generally should be referred to qualified service personnel. Caution must be exercised, since improper servicing may cause unsafe operation.

**YOUR MONOGRAM WARRANTY**  
**Staple sales slip or cancelled check here. Proof of original purchase date is needed to obtain service under warranty.**

**WHAT IS COVERED**

*From the Date of the Original Purchase*

**FULL TWO-YEAR WARRANTY**

*any part of the refrigerator/freezer*

**FULL FIVE-YEAR WARRANTY**

*any part of the sealed refrigerating system ( )*

**LIMITED ADDITIONAL SEVEN-YEAR WARRANTY ON THE SEALED SYSTEM**

*any part of the sealed refrigerating system ( )*

**LIMITED LIFETIME WARRANTY ON FULL EXTENSION SLIDES**

*any part of the full extension slides*



A 48 .C.  
A C C  
800.444.1845. C : 888.444.1845. .A.

**WHAT IS NOT COVERED**

- Service trips to your home to teach you how to use the product.
- Replacement of house fuses or resetting of circuit breakers.
- Incidental or consequential damage caused by possible defects with this appliance.
- Damage to the product caused by accident, fire, floods or acts of God.
- Damage caused after delivery.
- Failure of the product if it is used for other than its intended purpose or used commercially.
- Improper installation, delivery or maintenance.  
If you have an installation problem, contact your dealer or installer. You are responsible for providing adequate electrical, plumbing and other connecting facilities.
- Loss of food due to spoilage.
- Replacement of the light bulbs other than as noted above.

Warrantor in USA: General Electric Company.  
Louisville, KY 40225

Warrantor in Canada: Camco Inc.

## Free Manuals Download Website

<http://myh66.com>

<http://usermanuals.us>

<http://www.somanuals.com>

<http://www.4manuals.cc>

<http://www.manual-lib.com>

<http://www.404manual.com>

<http://www.luxmanual.com>

<http://aubethermostatmanual.com>

Golf course search by state

<http://golfingnear.com>

Email search by domain

<http://emailbydomain.com>

Auto manuals search

<http://auto.somanuals.com>

TV manuals search

<http://tv.somanuals.com>