

Installation Instructions

If you have questions, call 800.GE.CARES or visit our website at: www.monogram.com

Free-Standing Side-by-Side
Stainless Steel Refrigerator

ZFSB25D SS

ZFSB26D SS



Safety Information

BEFORE YOU BEGIN

Read these instructions completely and carefully.

- **IMPORTANT** – Save these instructions for local inspector’s use.
- **IMPORTANT** – Observe all governing codes and ordinances.
- **Note to Installer** – Be sure to leave these instructions with the Consumer.
- **Note to Consumer** – Keep these instructions with your Owner’s Manual for future reference.

WARNING:

This appliance must be properly grounded. See “Grounding the Refrigerator,” page 4.

AVERTISSEMENT :

Cet appareil doit être correctement mis à la terre. Consulter « Mise à la terre du réfrigérateur », page 4.

If you received a damaged refrigerator, you should immediately contact your dealer or builder.

Skill Level – Installation of this refrigerator requires basic mechanical, carpentry and plumbing skills. Proper installation is the responsibility of the installer. Product failure due to improper installation is not covered under the GE Appliance Warranty. See the Owner’s Manual for warranty information.

CAUTION:

Due to the weight and size of this refrigerator, and to reduce the risk of personal injury or damage to the product – TWO PEOPLE ARE REQUIRED FOR PROPER INSTALLATION.

PRUDENCE :

À cause du poids et de la taille de ce réfrigérateur et pour réduire le risque de blessure et de dommages, IL FAUT DEUX PERSONNES POUR FAIRE L’INSTALLATION CORRECTEMENT.

WARNING:

- Use this appliance only for its intended purpose.
- Immediately repair or replace electric service cords that become frayed or damaged.
- Unplug the refrigerator before cleaning or making repairs.
- Repairs should be made by a qualified service technician.

AVERTISSEMENT :

- Il ne faut utiliser cet appareil que pour l’utilisation appropriée.
- Réparer ou remplacer immédiatement tout cordon électrique effiloché ou endommagé.
- Il faut débrancher le réfrigérateur avant le nettoyage ou toute intervention.
- Les réparations doivent être faites par un technicien qualifié.

For Monogram local service in your area, call 1.800.444.1845.

For Monogram service in Canada, call 1.888.880.3030

For Monogram Parts and Accessories, call 1.800.626.2002.

www.monogram.com

CONTENTS

Planning Information

Product Dimensions and Clearances	3
The Installation Space	3

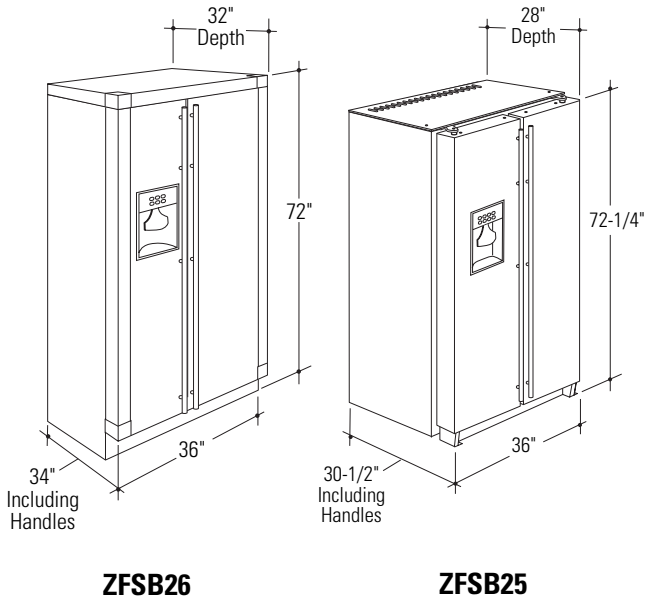
Installation Instructions

Tools, Hardware, Materials	4
Grounding the Refrigerator	4
Step 1, Move Refrigerator Indoors (ZFSB25)	5
Step 1A, Move Refrigerator Indoors (ZFSB26)	6
Step 2, Install Water Line	7

Step 2A, RO Water Line	8
Step 3, Connect Water Supply	8
Step 4, Connect Power	8
Step 5, Move Refrigerator Into Position	8
Step 6, Level Refrigerator	9
Step 7, Level Doors	9
Step 8, Start Icemaker	10
Step 9, Temperature Controls	10
Step 10, Install Toekick	10

Planning Information

PRODUCT DIMENSIONS AND CLEARANCES



This Monogram free-standing refrigerator requires the following clearances for proper air circulation, plumbing and electrical connections.

Air Circulation Clearances:

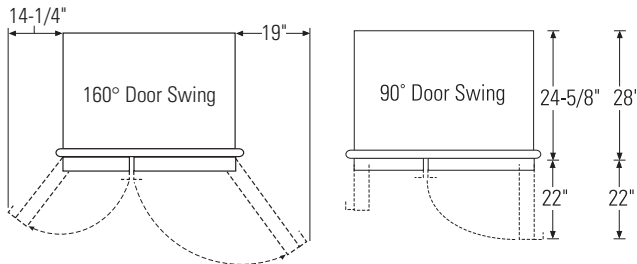
- 1/8" on each side
- 1" at the top
- 1" at the back (1-1/2" for ZFSB25)

Installation in a corner:

- Allow 4" clearance on each side to an adjacent wall for a 90° opening and access to drawers.

ZFSB25 and ZFSB26

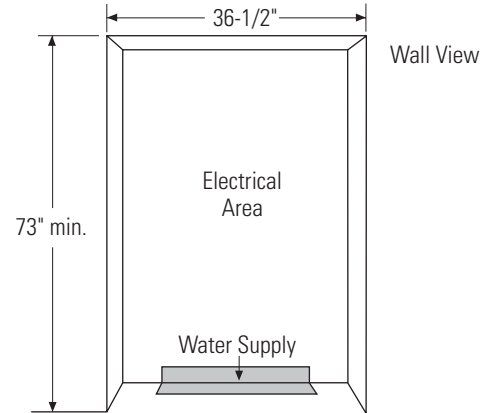
ZFSB25 ZFSB26



- On the freezer side, allow 14-1/4" min. clearance for removal of ice bin.
- On the fresh food side, allow 19" min. clearance to wall for removal of drawers.

THE INSTALLATION SPACE

The opening width must be 36-1/4".



Water And Electrical Locations

The opening must be prepared with the electrical and water supply located as shown.

Additional Specifications

- A 115 volt 60Hz., 15 or 20 amp power supply is required. An individual properly grounded branch circuit or circuit breaker is recommended. Install a properly grounded 3-prong electrical receptacle recessed into the back wall.

NOTE: GFI (ground fault interrupter) is not recommended.

- Water line can enter the opening through the floor or through an adjacent cabinet, as close to the back wall as possible. The water line should be 1/4" O.D. copper tubing between the cold water line and water connection location at the rear of the refrigerator. Installation of an easily accessible shut off valve in the water line is recommended.

Installation Instructions

TOOLS REQUIRED

- Tinsnips to cut banding
- Stepladder
- Bucket
- Level
- Appliance hand truck
- Tubing cutter
- #2 Phillips screwdriver
- Drill and appropriate bits
- 3/8", 5/16" and 7/16" hex socket
- 1/8" Allen wrench
- Safety glasses

MATERIALS REQUIRED

- 1/4" O.D. compression nut and 2 ferrules (sleeves)

FLOORING

For proper installation, this refrigerator must be placed on a level surface of hard material that is at the same height as the rest of the flooring. This surface should be strong enough to support a fully loaded refrigerator.

IMPORTANT NOTE: Protect the finish of the flooring. Cut a large section of the cardboard carton and place under the refrigerator where you are working.

GROUNDING THE REFRIGERATOR

IMPORTANT – (Please read carefully)

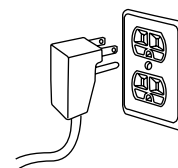
FOR PERSONAL SAFETY, THIS APPLIANCE MUST BE PROPERLY GROUNDED.

The power cord of this appliance is equipped with a 3-prong (grounding) plug which mates with a standard 3-prong (grounding) wall receptacle to minimize the possibility of electric shock hazard from this appliance.

Have the wall outlet and circuit checked by a qualified electrician to make sure the outlet is properly grounded.

Where a standard 2-prong wall outlet is encountered, it is your personal responsibility and obligation to have it replaced with a properly grounded 3-prong wall outlet.

DO NOT, UNDER ANY CIRCUMSTANCES, CUT OR REMOVE THE THIRD (GROUND) PRONG FROM THE POWER CORD.



DO NOT USE AN ADAPTER PLUG TO CONNECT THE REFRIGERATOR TO A 2-PRONG OUTLET.

DO NOT USE AN EXTENSION CORD WITH THIS APPLIANCE.

Installation Instructions

STEP 1 MODEL ZFSB25

(GO TO STEP 1A FOR
MODEL ZFSB26)

MOVE REFRIGERATOR INDOORS

IMPORTANT: Door and passageways into the installation location require a 31" min. opening. If the opening is less than 31", the top cap and doors must be removed.

NOTE: Skip this step if door removal is not required. See instructions on next page, "To Move The Refrigerator Indoors."

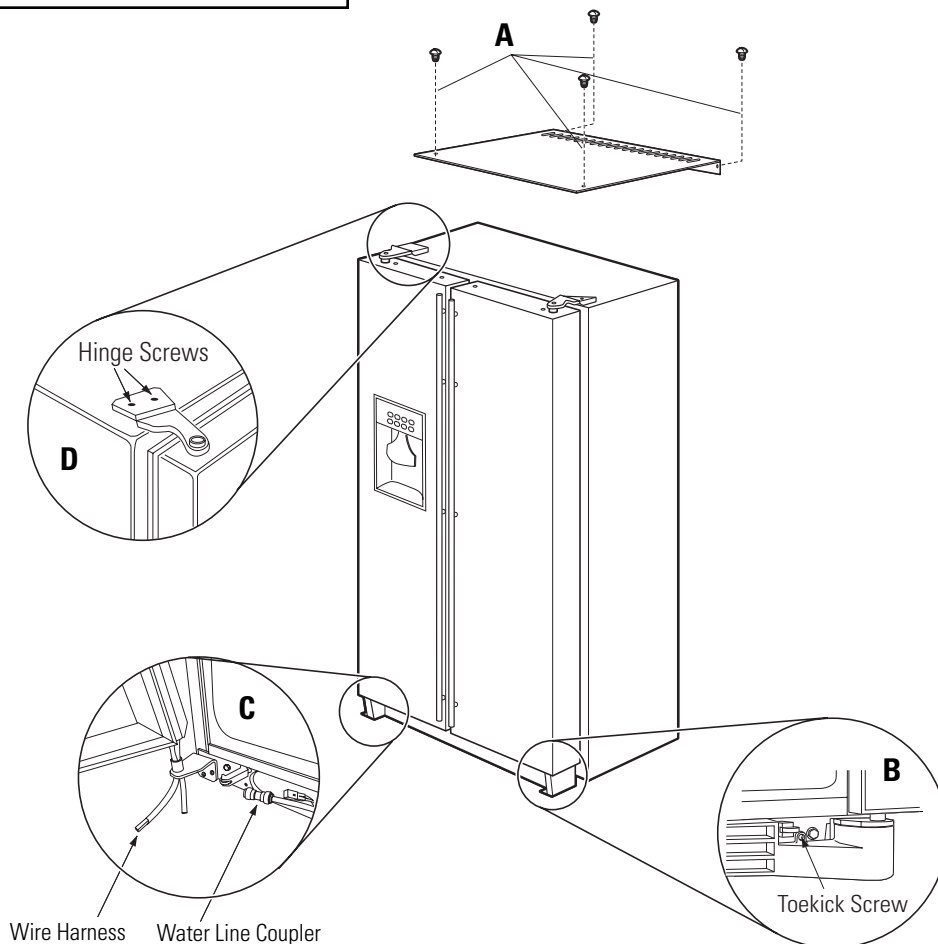
NOTE: To prevent damage, leave inside packaging, door spacer and outside protective wrap in place until the unit is moved to the installation location.

REMOVE THE DOORS

The top cap must be removed to access hinges. It is best to remove one door at a time.

- A.** Remove 2 screws on top and 2 screws at the back of the top cap. Lift off top cap.
- B.** Open both doors. Remove the 2 toekick screws and pull forward to remove.
- C.** Disconnect the water line coupler by pushing against the collar on the left side. Disconnect wire harness.
- D.** Remove 2 screws holding top hinge to the case. Carefully lift off door.

Follow the same procedure to remove the fresh food door.



Installation Instructions

STEP 1A MODEL ZFSB26

MOVE REFRIGERATOR INDOORS

IMPORTANT: Door and passageways into the installation location require a 36" min. opening. If the opening is less than 36", the top cap and doors must be removed.

NOTE: Skip this step if door removal is not required. See instructions on next page, "To Move The Refrigerator Indoors."

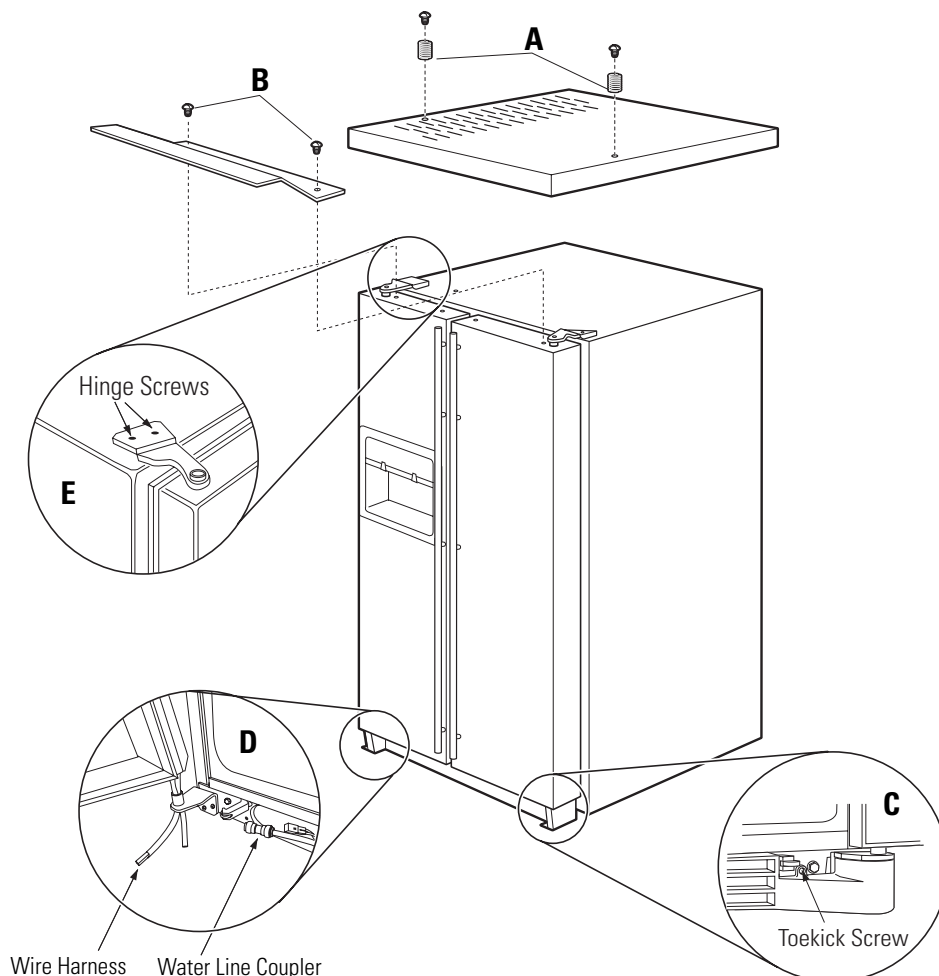
NOTE: To prevent damage, leave inside packaging, door spacer and outside protective wrap in place until the unit is moved to the installation location.

REMOVE THE DOORS

The top cap must be removed to access hinges. It is best to remove one door at a time.

- A.** Remove 2 screws and springs on top of the refrigerator, one on each side. Push the top cap forward and lift up from the rear.
- B.** Remove 2 screws holding the top filler strip, lift off.
- C.** Open both doors. Remove the 2 toekick screws and pull forward to remove.
- D.** Disconnect the water line coupler by pushing against the collar on the left side. Disconnect wire harness.
- E.** Remove 2 screws holding top hinge to the case. Carefully lift off door.

Follow the same procedure to remove the fresh food door.



Installation Instructions

STEP 1 ALL MODELS (continued)

To move the refrigerator indoors:

- Place a piece of the carton or soft cloth against the side panel of the refrigerator to pad and protect the stainless steel finish.
- Place the refrigerator on the handtruck **with a side against the truck only**.
- Move the refrigerator indoors.

REINSTALL DOORS

Refer to the illustration on page 5 or 6.

- Carefully, route the water line tubing and electrical through the freezer side bottom hinge. Lower the door onto bottom hinge.
- Secure top hinge.
- Insert the tubing all the way into the coupler.
- Reconnect the wiring harness.
- Replace top filler strip (on model ZFSB26).
- Replace top cap with original screws and springs (where present).

HINT: Use tape or Perma Gum to prevent the spring from sliding off the screw (on model ZFSB26).

Follow the same procedure to reinstall the fresh food door.

STEP 2 INSTALL WATER LINE

- A cold water supply is required for automatic icemaker operation. The water pressure must be between 40 and 120 p.s.i.
- Route 1/4" OD copper tubing between house cold water line and the water connection location.
- Measure the distance from the water valve on the back of the refrigerator to the water supply line. Add 8 foot length to allow the refrigerator to be moved away from the wall after installation. Bend the tubing into 3 coils of about 10".

NOTE: The only GE approved plastic tubing is supplied in GE SmartConnect™ Refrigerator Tubing kits. Do not use any other plastic water supply line because the line is under pressure at all times. Certain types of plastic will crack or rupture with age and cause water damage to your home.

GE SmartConnect™ Refrigerator Tubing Kits are available in the following lengths:

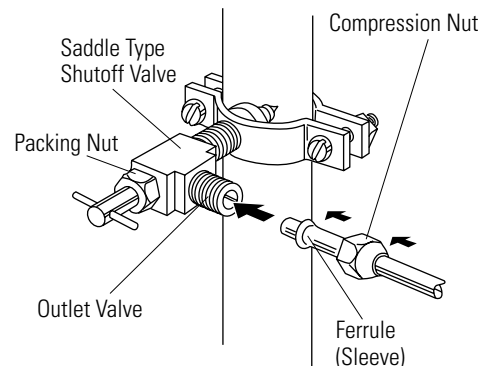
2' (.6 m)	– WX08X10002
6' (1.8 m)	– WX08X10006
15' (4.6 m)	– WX08X10015
25' (7.6 m)	– WX08X10025

Shut off the main water supply.

Turn on the nearest faucet long enough to clear the line of water.

- Install a shut-off valve between the icemaker water valve and cold water pipe in a basement or cabinet. The shut-off valve should be located where it will be easily accessible.

NOTE: It is best to install the valve into a vertical water pipe. If you install the valve into a horizontal water pipe, make the connection at the top or side to avoid drawing off any sediment from the water pipe.



- Drill a 1/4" hole in the water pipe.
- Fasten the shut-off valve to the pipe with pipe clamp.
- Tighten the clamp screws until the sealing washer begins to swell. Do not over tighten.
- Place a compression nut and ferrule (sleeve) onto the end of the tubing and connect it to the shut-off valve. Make sure the tubing is fully inserted into the valve and ferrule is tightened.
- Turn on the main water supply and flush debris. Run about a quart of water through the tubing into a bucket. Shut off water supply at the shut-off valve.

NOTE: Saddle type shut-off valves are included in many water supply kits. Before purchasing, make sure a saddle type valve complies with your local plumbing codes.

NOTE: Commonwealth of Massachusetts Plumbing Codes 248CMR shall be adhered to. Saddle valves are illegal and use is not permitted in Massachusetts. Consult with your licensed plumber.

Installation Instructions

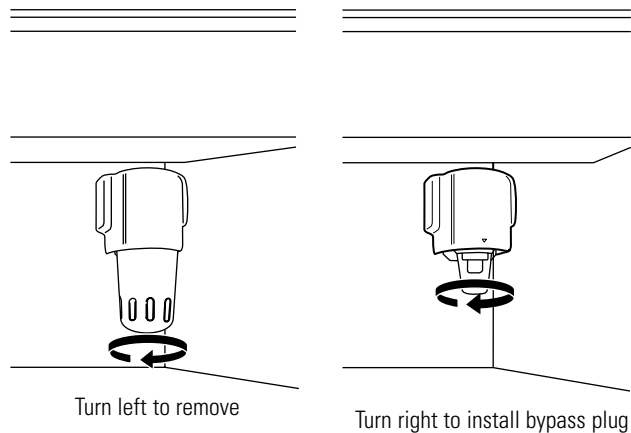
Step 2A WATER LINE INSTALLATION WITH A REVERSE OSMOSIS SYSTEM

Skip this step when not using RO System

IMPORTANT:

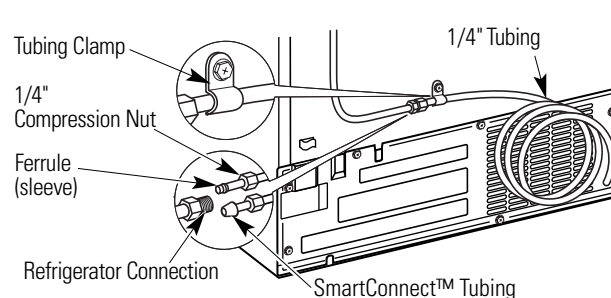
When connecting a GE Reverse Osmosis Water System to your refrigerator, the GE RVKit must be used. For other reverse osmosis water systems, follow the manufacturer's recommendations.

If the water supply to the refrigerator is from a Reverse Osmosis Water System, use the refrigerator's filter bypass plug. Using the refrigerator's water filtration cartridge with the RO filter can result in hollow ice cubes and slower water flow from the water dispenser.



STEP 3 CONNECT WATER SUPPLY

Check to be sure that refrigerator power cord is not plugged into the wall outlet.



If you are using copper tubing:

- Place compression nut and ferrule (sleeve) onto the end of the tubing coming from the house water supply.
- Insert the end of the copper tubing into the refrigerator connection at the back of the refrigerator, as far as possible. Hold the tubing in place and tighten the fitting.

If you are using GE SmartConnect™ tubing:

- Insert the molded end of the tubing into the refrigerator connection, at the back of the refrigerator, and tighten the compression nut until it is hand tight.
- Then tighten one additional turn with a wrench. Overtightening may cause leaks.
- Fasten the tubing into the clamp provided to hold it in position. You may need to pry open the clamp.
- Turn on the water at the shut-off valve to check for leaks.

STEP 4 CONNECT POWER

- Connect refrigerator power cord plug to a properly grounded receptacle.
- Check to make sure power to refrigerator is on by opening refrigerator door to see if interior lights are on.

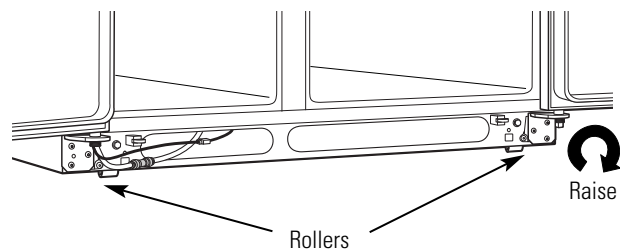
STEP 5 MOVE REFRIGERATOR INTO POSITION

- Remove outside protective wrapping.
- Move the refrigerator into final installation position.
- Remove door spacer and all inside packaging.

Installation Instructions

STEP 6 LEVEL THE REFRIGERATOR

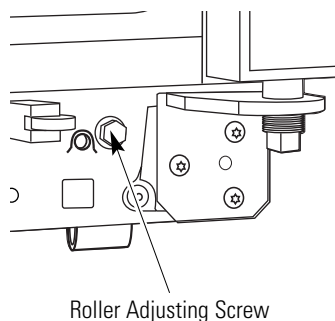
The refrigerator can be leveled by adjusting the rollers located near the bottom hinges.



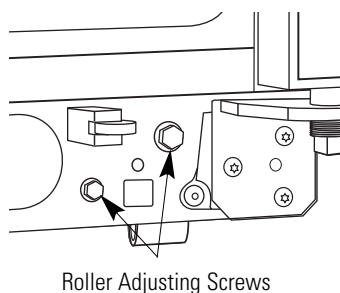
Rollers have three purposes:

- The rollers adjust so that the door closes easily when opened about halfway. (Raise the front about 5/8" [16 mm] from the floor.)
- Rollers adjust to allow the refrigerator to be firmly positioned on the floor and to prevent rocking when the doors are opened and closed.
- The rollers allow you to move the refrigerator from the wall for cleaning.

To Adjust the Rollers:



- Use a 3/8" hex socket or wrench to turn the adjustment screws. Turn the screws clockwise to raise the refrigerator, turn counterclockwise to lower it.



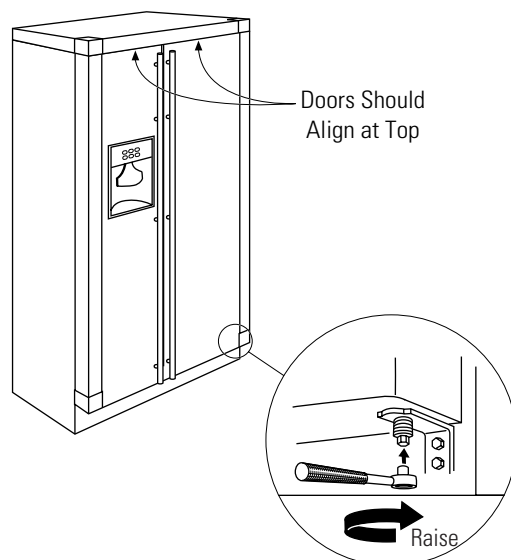
ZFSB25 rear rollers can also be adjusted.

- Use a 5/16" hex socket to turn the screws for the rear rollers. Turn the screws clockwise to raise the refrigerator, counterclockwise to lower it.

STEP 7 LEVEL THE DOORS

If the doors are not evenly aligned at the top, the refrigerator door can be adjusted.

- Use a 7/16" hex socket or wrench to turn the door adjusting screw. Turn the screw to the right to raise the door, turn left to lower the door.

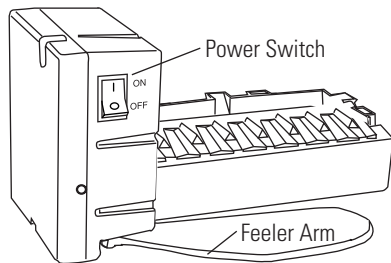


NOTE: A nylon plug is imbedded in the threads of the pin. The plug is designed to prevent the pin from turning. A wrench must be used to turn the pin.

- Turn the wrench one or two times. Open and close the refrigerator door to check alignment with the freezer door at the top. Adjust again if necessary.

Installation Instructions

STEP 8 START ICEMAKER



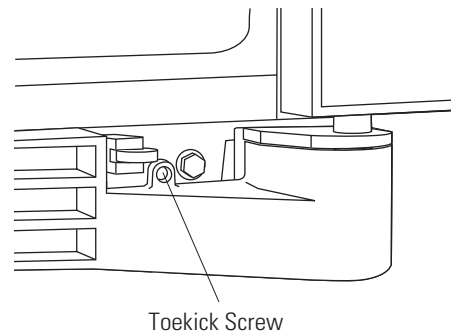
- Flip the switch to I (ON) position. The icemaker will not begin to operate until it reaches its operating temperature of 15°F (-9°C) or below. It will then begin operation automatically. It will take 2–3 days to fill the ice bin.
- Be sure nothing interferes with the sweep of the feeler arm. Do not place objects in the path of the feeler arm.
- Discard the first full bucket of ice cubes.
- To turn the icemaker off, set the switch to O (OFF).

STEP 9 TEMPERATURE CONTROLS

- The temperature controls are preset at 37° for the refrigerator and 0°F for the freezer.
- Allow 24 hours to stabilize before making adjustments.

STEP 10 INSTALL TOEKICK

- Press toekick into position and reinstall one screw on each side.



IMPORTANT: The vented toekick must remain unobstructed for proper air circulation.

Notes

NOTE: While performing installations described in this book, safety glasses or goggles should be worn.

For Monogram® local service in your area, call 1.800.444.1845.

NOTE: Product improvement is a continuing endeavor at General Electric. Therefore, materials, appearance and specifications are subject to change without notice.

Pub. No. 49-60476
Dwg. No. 197D4577P002
07-06 JR
Printed in Mexico



Monogram®

GE Consumer & Industrial
GE Appliances
General Electric Company
Louisville, KY 40225
ge.com

©2006 GE Company

Free Manuals Download Website

<http://myh66.com>

<http://usermanuals.us>

<http://www.somanuals.com>

<http://www.4manuals.cc>

<http://www.manual-lib.com>

<http://www.404manual.com>

<http://www.luxmanual.com>

<http://aubethermostatmanual.com>

Golf course search by state

<http://golfingnear.com>

Email search by domain

<http://emailbydomain.com>

Auto manuals search

<http://auto.somanuals.com>

TV manuals search

<http://tv.somanuals.com>