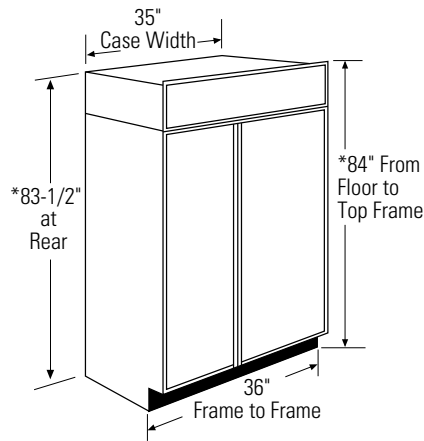
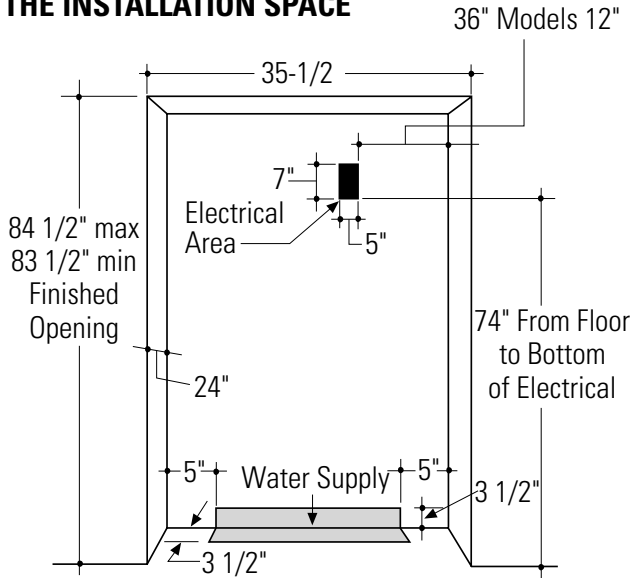




Monogram™

ZISS360NMSS - GE Monogram 36" Built-In Stainless Steel Refrigerator with Automatic Icemaker and Water Filter

THE INSTALLATION SPACE



* Shipping height. The refrigerator can be adjusted to fit into a cutout that is 83-1/2" min. to 84-1/2" max. height. Note that the top case trim at the front is 1/2" higher and will overlap upper cabinetry or soffit. Use leveling legs and wheels for height adjustment.

Water And Electrical Locations

The opening must be prepared with the electrical and water supply located as shown.

The cutout depth must be 24".

Designed for industry standard flush installation. The refrigerator will project forward, slightly beyond adjacent cabinetry, depending on your installation.

The cutout depth beneath a soffit:

When installed beneath a soffit, the soffit cannot exceed the 24" installation depth shown. The top case trim overlaps the bottom of the soffit.

Frameless cabinets:

The case trim overlaps cabinets at the top and sides. Therefore, frameless cabinets may require filler strips to prevent interference with cabinet door swing. The opening must allow for filler strips.

Additional Specifications

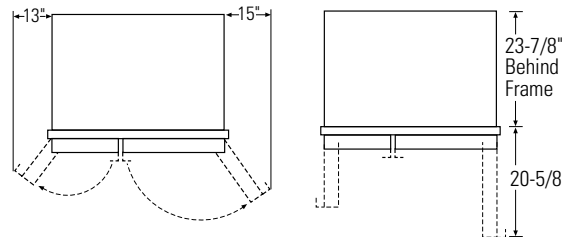
- A 115 volt 60Hz., 15 or 20 amp power supply is required. An individual properly grounded branch circuit or circuit breaker is recommended. Install a properly grounded 3-prong electrical receptacle recessed into the back wall. Electrical must be located on rear wall as shown.

Note: GFI (ground fault interrupter) is not recommended.

- Water line can enter the opening through the floor or back wall. The water line should be 1/4" O.D. copper tubing between the cold water line and water connection location, long enough to extend to the front of the refrigerator. Installation of an easily accessible shut off valve in the water line is recommended.

Product Clearances

These refrigerators are equipped with a 2 position door stop. The factory set 130° door swing can be adjusted to 90° if clearance to adjacent cabinets or walls is restricted.

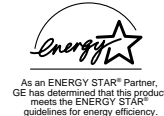


Allow minimum clearances for freezer door and fresh food door for a full 130° door swing and to allow for pan removal.

4" minimum clearance is required when door swing is adjusted to 90°. If the 90° door stop position is used, pan access is maintained, but pan removal is restricted.

For answers to your Monogram®, GE Profile™ or GE appliance questions, visit our website at GEAppliances.com or call GE Answer Center® service, 800.626.2000.

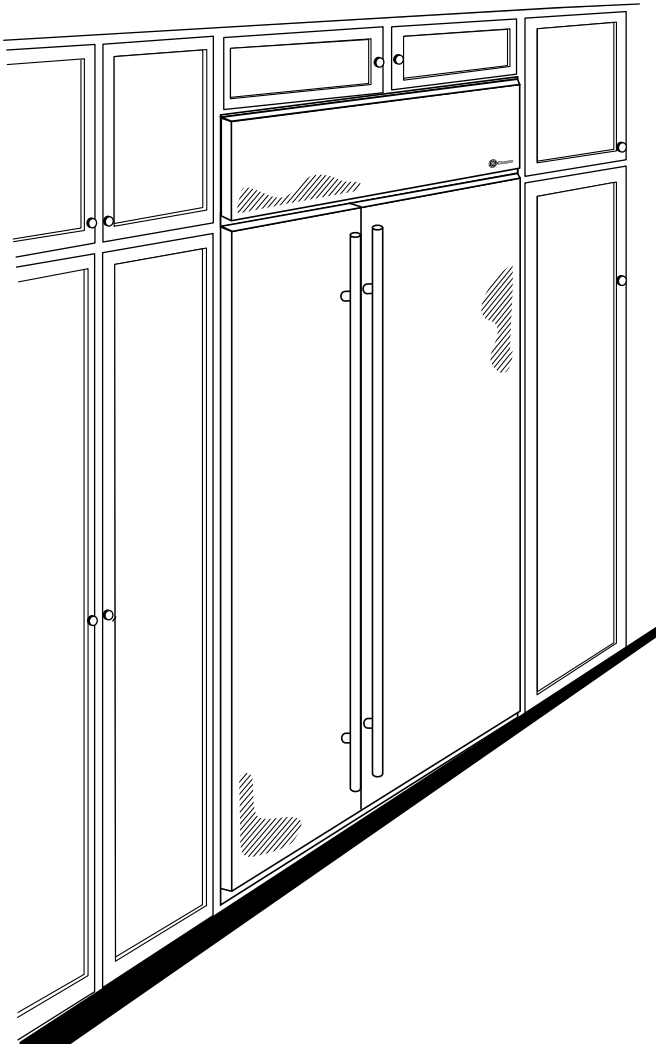
Specification Revised 2/02





Monogram™

ZISS360NMSS - GE Monogram 36" Built-In Stainless Steel Refrigerator with Automatic Icemaker and Water Filter



Features and Benefits

- Energy Star® Qualified
- 21.6 cu ft Capacity (Fresh Food 11.9 cu ft / Freezer 9.7 cu ft)
- Wrapped Stainless Steel Doors and Grille (Trimless)
- Tubular Stainless Steel Handles
- Automatic Icemaker with Removable Ice Storage Bin
- GE SmartWater™ Filtration System
- Climate Control Drawer with Express Chill, Express Thaw and Select Temp
- Sealed Adjustable Humidity, Slide-Out Produce Pan with Easy Access Lid and Full Extension Slides
- Sealed High Humidity Produce Pan with Full Extension Slides
- Adjustable Sealed Deli Pan with Full Extension Slides
- 3 Adjustable, 1 Fixed Spill-Proof Glass Fresh Food Shelves
- Gallon Door Storage
- 4 Adjustable Door Bins
- Sealed Dairy Compartment
- Wine Caddy
- Glass-Covered Butter Dish
- Freezer Multi-Shelf Halogen Light Tower
- 4 Adjustable Wire Freezer Shelves
- 2 Utility Baskets with Full Extension Slides
- 5 Adjustable Freezer Door Bins
- Slide-Out Can Rack
- Model ZISS360NMSS—Stainless steel

Specification Revised 2/02

Free Manuals Download Website

<http://myh66.com>

<http://usermanuals.us>

<http://www.somanuals.com>

<http://www.4manuals.cc>

<http://www.manual-lib.com>

<http://www.404manual.com>

<http://www.luxmanual.com>

<http://aubethermostatmanual.com>

Golf course search by state

<http://golfingnear.com>

Email search by domain

<http://emailbydomain.com>

Auto manuals search

<http://auto.somanuals.com>

TV manuals search

<http://tv.somanuals.com>