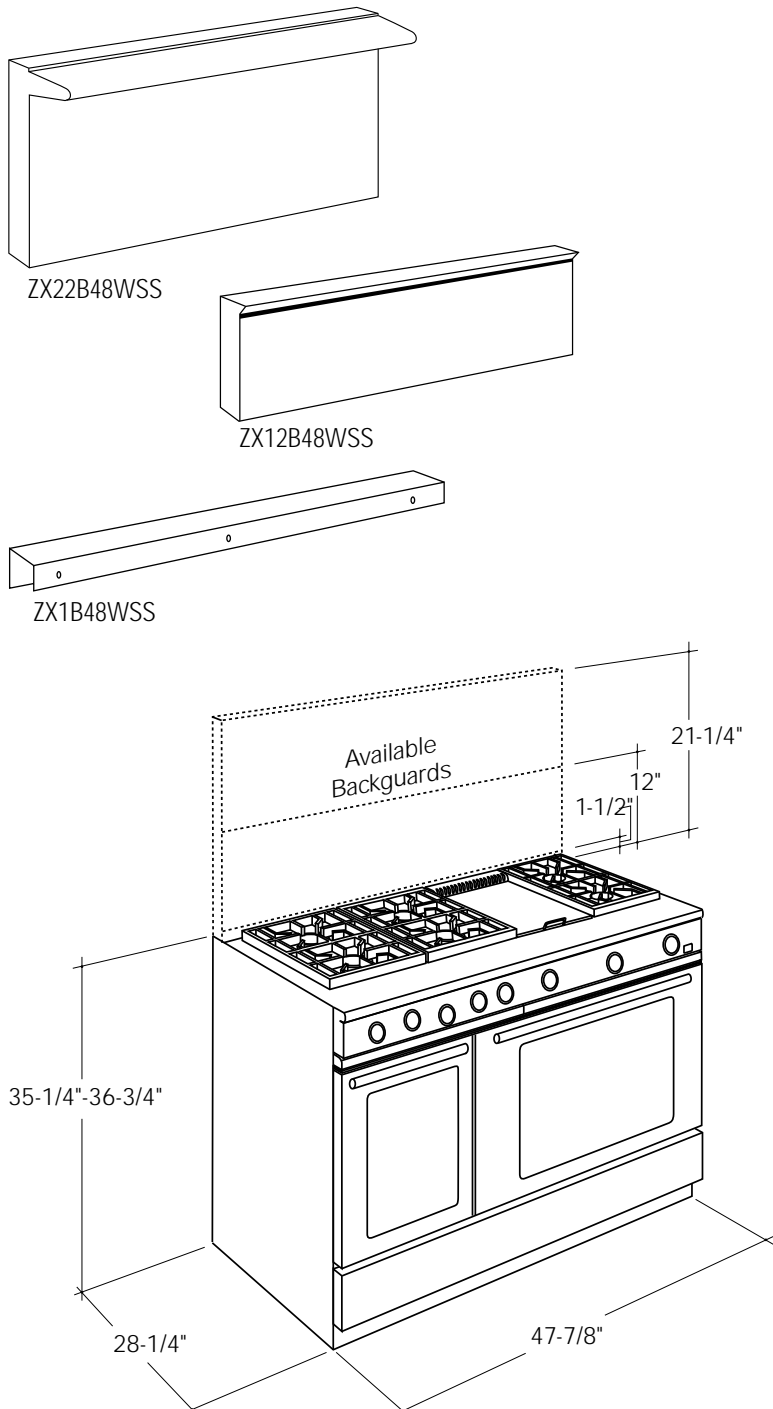




Monogram™

ZDP48L4GWSS—48" Professional Ranges

Dimensions and Specifications (in inches)



These ranges are factory set for either natural gas or liquid propane gas.

48" Natural Gas Model:

ZDP48N4GWSS—4 gas burners, grill and griddle

48" Liquid Propane Gas Model:

ZDP48L4GWSS—4 gas burners, grill and griddle

Accessory Requirements:

All models **require** the installation of a backguard. A backguard should be ordered at the same time as the range. Both must be on site at the time of installation.

Order one backguard for 48" models:

ZX1B48WSS—1-1/2" high backguard (required for island installations)

ZX12B48WSS—12" high backguard

ZX22B48WSS—22" high backguard with warming rack (2 piece)

Advance Planning:

Refer to dimensional drawings for appropriate placement and necessary clearances when planning the installation.

- Cabinetry cannot be installed directly above the range.
- This range requires the installation of a vent hood, 30" to 36" above the surface.
 - The vent hood must be at least 24" deep.
 - The vent hood must be the same width as the range.
 - The vent hood blower should provide at least 800 CFM and up to 1200 CFM.
 - When installing a range that includes a grill, select a blower on the high end of the CFM recommendation.
- Working areas adjacent to the range should have 18" minimum clearance between countertop and cabinet bottom.
- Clearance between range and side wall or combustible material must be at least 12" on each side.

For answers to your GE Monogram™, GE Profile™, GE, Hotpoint and RCA appliance questions, call GE Answer Center® service, 800.626.2000.



Listed by
Underwriters
Laboratories

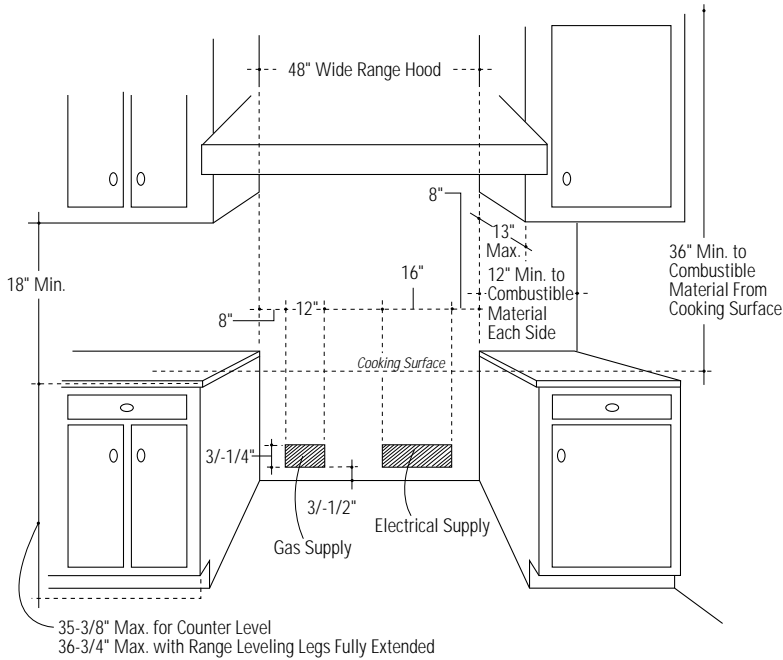
Revised 7/97



Monogram™

ZDP48L4GWSS—48" Professional Ranges

Dimensions and Specifications (in inches)



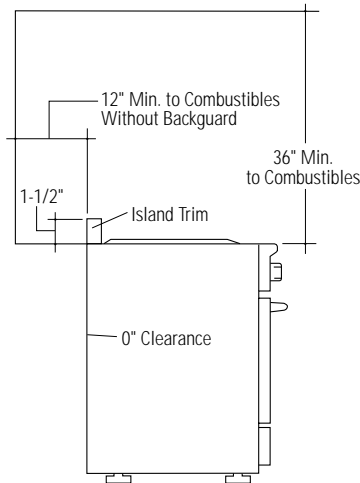
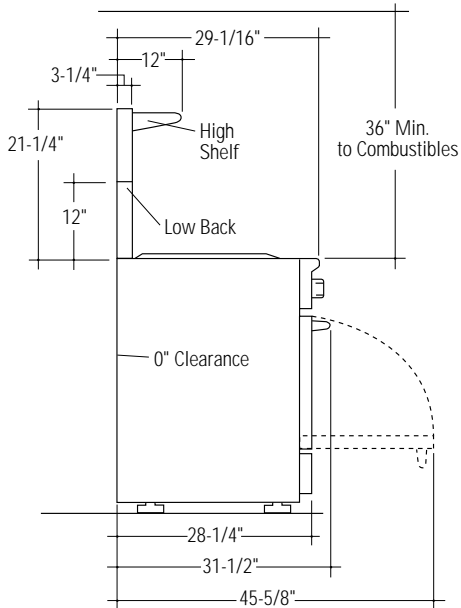
If the range is installed in an island:

- Allow 12" min. clearance at the back to combustible materials.
- Allow 36" min. above the cooking surface to combustible materials.
 - The vent hood blower should provide at least 800 CFM and up to 1200 CFM.
- Installation must conform with local codes. In the absence of local codes, the range must comply with the National Fuel Gas Code, ANSI Z223.1-1990.

A.G.A. approved

Installation Information:

Before installing, consult installation instructions (Pub. #49-8786) packed with product for current dimensional data.



For answers to your GE Monogram™, GE Profile™, GE, Hotpoint and RCA appliance questions, call GE Answer Center® service, 800.626.2000.

Revised 7/97

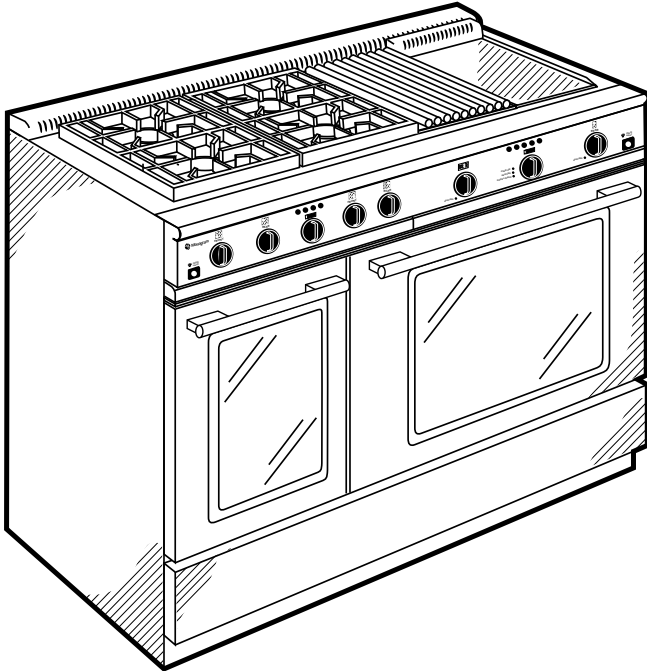


Listed by
Underwriters
Laboratories



Monogram™

ZDP48L4GWSS—48" Professional Ranges



Features and Benefits

- Stainless Steel Model
- Liquid Propane Gas
- Four (15,000/500 BTU) Dual-Ring Gas Burners
- 18,000 BTU Grill and 18,000 BTU Thermostatically-Controlled Griddle
- Cast-Iron, Porcelainized Burner Grates
- Stainless Steel, Slide-Out Drip Trays
- Electronic Ignition with Automatic Re-Ignition
- 4.3 Cubic Foot Electric Convection Self-Cleaning Main Oven
- 2.0 Cubic Foot Electric Thermal Standard Clean Companion Oven
- Commercial-Style Controls
- Main Oven Features 10-Pass Bake Element and 8-Pass Broil Element
- Porcelain-Enameled Broiler Pan with Chrome-Plated Grid
- 3 Racks in Main Oven and 2 in Companion Oven
- Stainless Steel Oven Doors with Windows
- Tubular Stainless Steel Handles
- 2 Stainless Steel Grill/Griddle Covers
- Model ZDP48N4GWSS—Natural Gas
- Model ZDP48L4GWSS—Liquid Propane Gas

Free Manuals Download Website

<http://myh66.com>

<http://usermanuals.us>

<http://www.somanuals.com>

<http://www.4manuals.cc>

<http://www.manual-lib.com>

<http://www.404manual.com>

<http://www.luxmanual.com>

<http://aubethermostatmanual.com>

Golf course search by state

<http://golfingnear.com>

Email search by domain

<http://emailbydomain.com>

Auto manuals search

<http://auto.somanuals.com>

TV manuals search

<http://tv.somanuals.com>