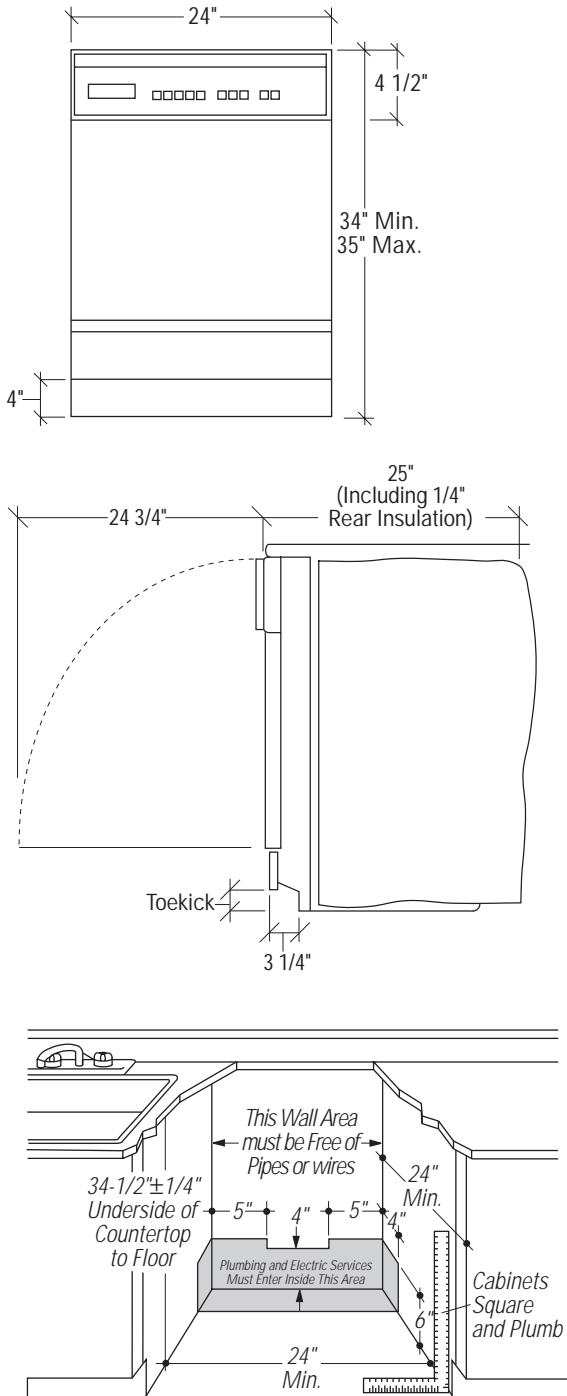




Monogram™

## ZBD3500ZZWW - GE Monogram Dishwasher with PermaTuf® Interior

### Dimensions and Specifications (in inches)



**Design Information:** Designed for versatility, these dishwashers adapt to virtually any installation. This dishwasher is supplied as a white model. Optional trim kits allow door and access panels to be replaced with custom panels of wood or other material to match cabinetry or other appliances. GPF400S Trim Kit is also available for a stainless steel appearance.

To achieve a custom flush appearance, standard 24" base cabinets should be moved forward by use of spacer blocks.

#### Optional Kits:

- GPF425 Trim Kit-Provides for the installation of 1/4" thick custom door and access panels.
- GPF475 Trim Kit-Provides for the installation of 3/4" thick custom door and access panels.
- GPF400S Trim Kit-Provides stainless steel door and access panel.
- GPF400B, GPF400W Trim Kits-Black or White color change or replacement door and access panel.
- GPF600B, GPF600W Trim Kits-Black or White replacement door only.
- GPF700B, GPF700W Trim Kits-Black or White replacement access panel only.
- GPF100 Heavy Spring Kit-Heavy duty springs for door panels weighing 4 to 8 pounds. This spring kit is included with the GPF475 and GPF400S.
- GPF53 Mounting Kit-Special brackets for installing dishwasher beneath countertops of stone or other materials which will not accept screws.

**Additional Specifications:** A 120 Volt, 60 Hz power supply is required. An individual properly grounded branch circuit protected by a 15 or 20 amp circuit breaker or time delay fuse is recommended. Install a 3-prong electrical receptacle at least 6" above the floor and within 18" of the right or left adjacent cabinet wall. Wiring must enter the cutout in shaded area shown. A double, side-by-side installation requires two separate circuits.

The hot water line must enter the cutout in the shaded area from the right, left, rear or through the floor. The water line should be 3/8" O.D. copper or 1/2" O.D. plastic. Installation of an easily accessible hand shut-off valve is strongly recommended.

The dishwasher should be placed no more than 10 feet from the sink for proper drainage.

For a corner installation, allow 2" clearance between dishwasher and adjacent cabinet or wall.

For answers to your Monogram®, GE Profile Performance Series™, GE Profile™ or GE appliance questions, call GE Answer Center® service, 800.626.2000.



Created 11/98

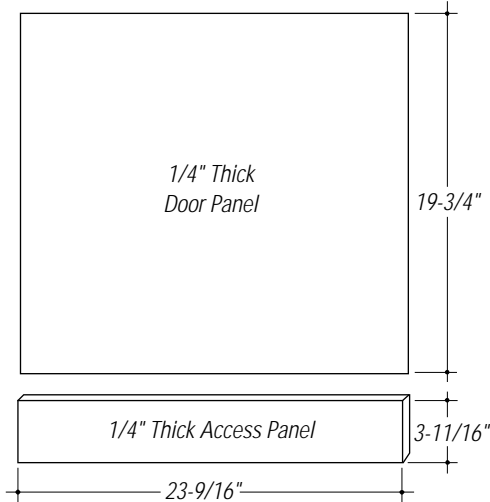


Monogram™

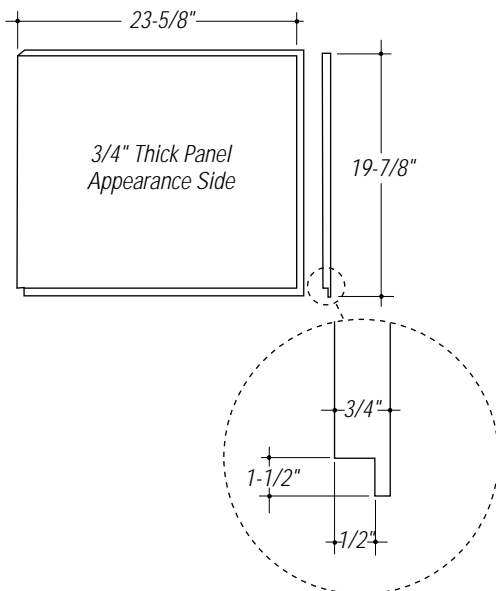
## ZBD3500ZZWW - GE Monogram Dishwasher with PermaTuf® Interior

### Dimensions and Specifications (in inches)

#### 1/4" Custom Door and Access Panel Dimensions Using GPF425 Trim Kit



#### 3/4" Custom Door and Access Panel Dimensions Using GPF475 Trim Kit



**1/4" Custom Panels** The GPF425 Trim Kit provides for the installation of 1/4" thick custom door and access panels.

**3/4" Custom Panels:** The GPF425 Trim Kit provides for the installation of 3/4" thick custom door and access panels with a typical 4" high toe kick.

- The custom panels should be constructed in the same manner as cabinet doors. Cut edges can be seen and must be finished for the best appearance.

- This kit includes GPF100 heavy duty spring kit for panels that weigh 4 to 8 pounds.

- Rout the bottom edge of the door panel on the appearance side 1/2" deep and 1-1/2" high resulting in 1/4" thickness.

**Note:** The custom wood access panel should evenly match the bottom of adjacent cabinets. Adjustments made to the leveling legs to obtain correct height can affect the vertical dimension (height) of the access panel.

GPF400S Trim Kit: Provides stainless steel door and access panels and matching stainless trim.

#### 3/4" Custom Access Panel Dimensions Using GPF475 Trim Kit



\* 3-3/4" min., 4-1/4" max. for typical 4" toekicks

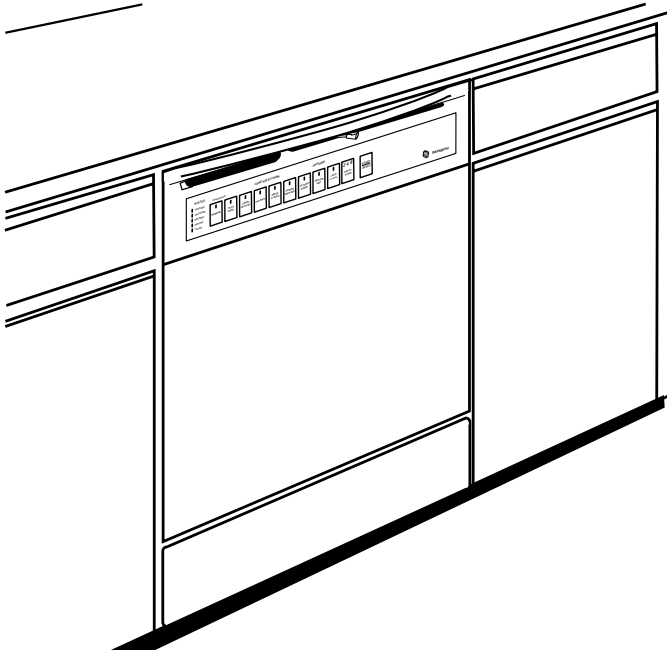
For answers to your Monogram® GE Profile Performance Series™ GE Profile™ or GE appliance questions, call GE Answer Center® service, 800.626.2000.





*Monogram™*

## **ZBD3500ZZWW - GE Monogram Dishwasher with PermaTuf® Interior**



### **Features and Benefits**

- *Sound Insulation Package*
- *PermaTuf® Tub*
- *QuickClean Solid-State Electronic Controls*
- *Cycle Selections: Pots & Pans Cycle, Normal Wash, China/Crystal,*
- *Glasses and Rinse & Hold*
- *Power Pre-Soak*
- *Cycle Auto Memory*
- *Cycle Status Indicators*
- *Three-Level Wash System*
- *Water Temp Options Include Norm and Boost*
- *CleanSensor Technology*
- *Lower Wash Arm*
- *Triple Filtration System*
- *Super Nylon Upper Rack*
- *Nylon Lower Rack with Fold-Down Tines*
- *Split Silverware Basket with Cell Covers*
- *Adjustable Utility Shelves*
- *Convection Drying*
- *Heated Dry On/Off*
- *Rinse Aid Dispenser*
- *Electronic Child Lock-Out*
- *2/4/8-Hour Delay Start Option*
- *ZBD3500ZZWW - White on white*
- *ZBD3500ZZBB- Black on black*

## Free Manuals Download Website

<http://myh66.com>

<http://usermanuals.us>

<http://www.somanuals.com>

<http://www.4manuals.cc>

<http://www.manual-lib.com>

<http://www.404manual.com>

<http://www.luxmanual.com>

<http://aubethermostatmanual.com>

Golf course search by state

<http://golfingnear.com>

Email search by domain

<http://emailbydomain.com>

Auto manuals search

<http://auto.somanuals.com>

TV manuals search

<http://tv.somanuals.com>