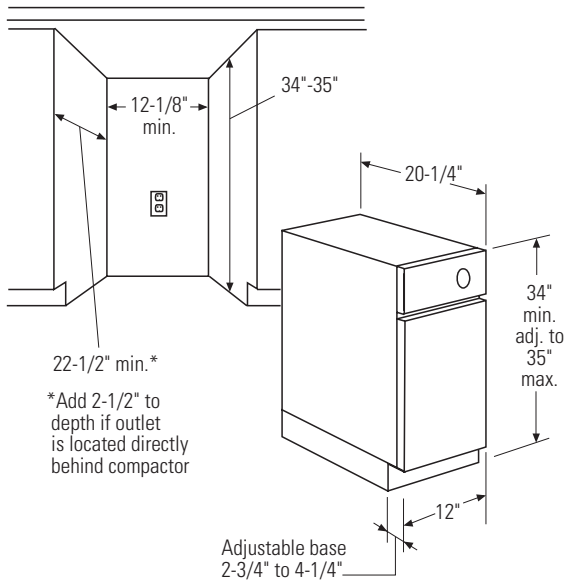




**Monogram®**

## ZCG3100VBB – GE Monogram Built-In Compactor

### Dimensions and Specifications (in inches)



This Monogram compactor has a white control panel and is supplied with a white/black reversible aluminum front drawer panel. This panel can be reversed to reveal the opposite color side.

The design will accept a custom front drawer panel to match surrounding cabinetry. A 1/4"-thick panel can replace the aluminum panel and will slide into the existing trim on the drawer front. A 3/4"-thick panel can replace the aluminum panel and existing trim for a trimless appearance.

The adjustable base allows the toe-kick depth to match surrounding cabinetry. This compactor is designed as a built-in appliance only. It may be located in any convenient space under a countertop. **DO NOT OPERATE FREE-STANDING** because the compactor will tip over when the drawer is pulled out.

### Additional Specifications

A 115 Volt, 60 Hz. power supply is required. An individual properly grounded branch circuit protected by a 15- or 20-amp circuit breaker or time delay fuse is recommended. Install a properly grounded 3-prong electrical receptacle recessed into the back wall. Electrical outlet location is critical for proper cord storage when compactor is installed.

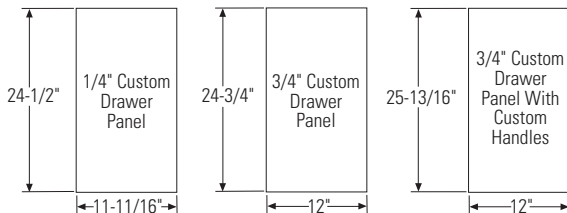
If the compactor is to be located in or near a corner of base cabinets, allow 2" minimum clearance from the corner to prevent interference with adjacent door handles.

### Note:

If cord is to be plugged in directly behind compactor add 2-1/2" to overall depth in order to allow proper clearance for the electrical cord.

### Custom Panel Dimensions

The drawer panel size varies depending on application.



### 1/4"-Thick Custom Panel

Cut the panel to size and install.

### 3/4"-Thick Custom Panel

The custom panel should be constructed in the same manner as typical cabinet doors. Cut edges must be finished on all sides.

### 3/4"-Thick Custom Panel with Custom Handle

The supplied handle may be replaced with a custom handle of your choice.



Listed by  
Underwriters  
Laboratories

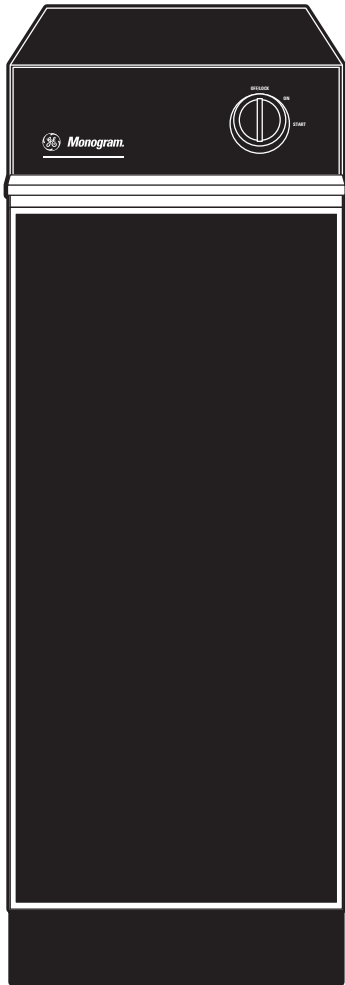
For answers to your Monogram®, GE Profile™ or GE® appliance questions, visit our website at [GEAppliances.com](http://GEAppliances.com) or call GE Answer Center® service, 800.626.2000.

Specification Revised 9/03  
160001



**Monogram.**

## ZCG3100VBB – GE Monogram Built-In Compactor



### Features and Benefits

- 1/3 horsepower motor
- 5,000-lb. maximum compacting force
- Automatic anti-jamming feature
- Slide-out compactor drawer
- Lock/start control with removable key
- Adjustable toekick
- Accepts 1/4"- and 3/4"-thick custom panels
- Accepts stainless steel accessory panel kit, 24-M117
- Model ZCG3500DSS – Stainless steel drawer panel
- Model ZCG3300WWW – White on white
- Model ZCG3100VBB – Black on black

**Specification Revised 9/03**  
160001

## Free Manuals Download Website

<http://myh66.com>

<http://usermanuals.us>

<http://www.somanuals.com>

<http://www.4manuals.cc>

<http://www.manual-lib.com>

<http://www.404manual.com>

<http://www.luxmanual.com>

<http://aubethermostatmanual.com>

Golf course search by state

<http://golfingnear.com>

Email search by domain

<http://emailbydomain.com>

Auto manuals search

<http://auto.somanuals.com>

TV manuals search

<http://tv.somanuals.com>