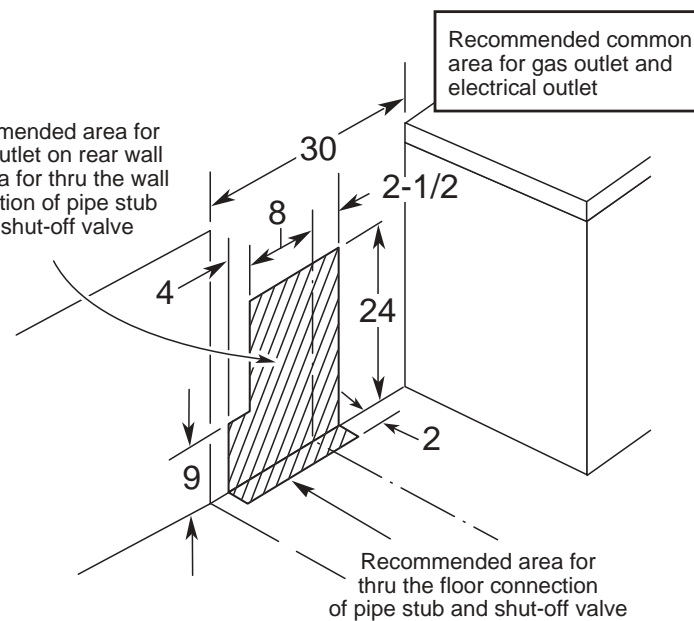
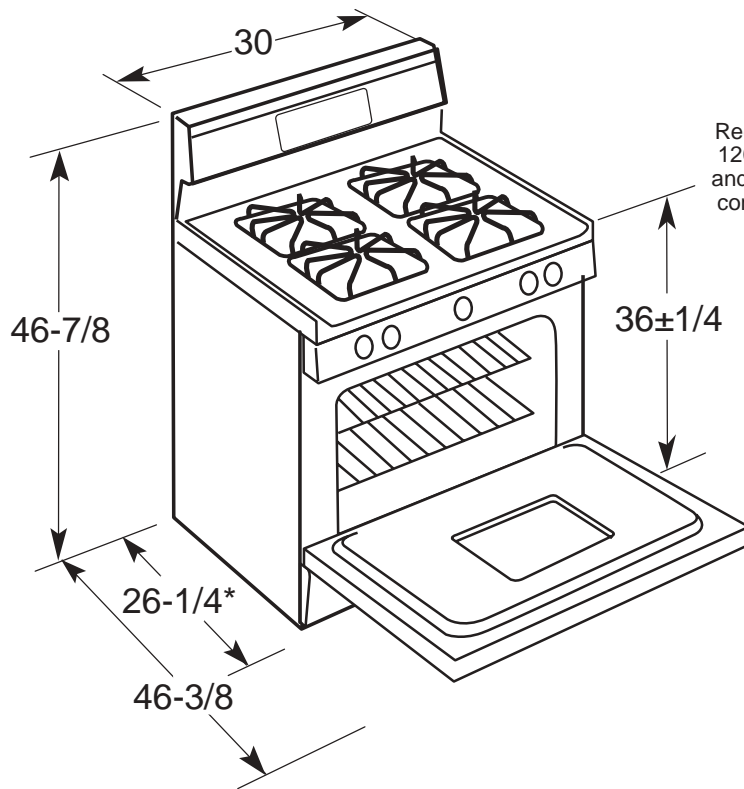




GE Appliances

JGBP30BEH – GE® 30" Free-Standing Self-Clean Gas Range

Installation Information Dimensions (in inches)



Optional Gas Range Accessory Drip Pans for Sealed and Standard Burner Models

(Available at additional cost)
To order these accessory drip pans, call toll-free 800-626-2002.

Gas Self-Clean Range Anti-Tip Bracket (Part No. 205C1714P001)

Electrical Rating: 120V, 60Hz, 5A

Installation Information: Before installing, consult installation instructions packed with product for current dimensional data.

*Dimension from wall to front of closed door handle is 28-1/4".
Depth to front edge of cooktop – 25-1/4".



All GE ranges are equipped with an Anti-Tip device. The installation of this device is an important, required step in the installation of the range.



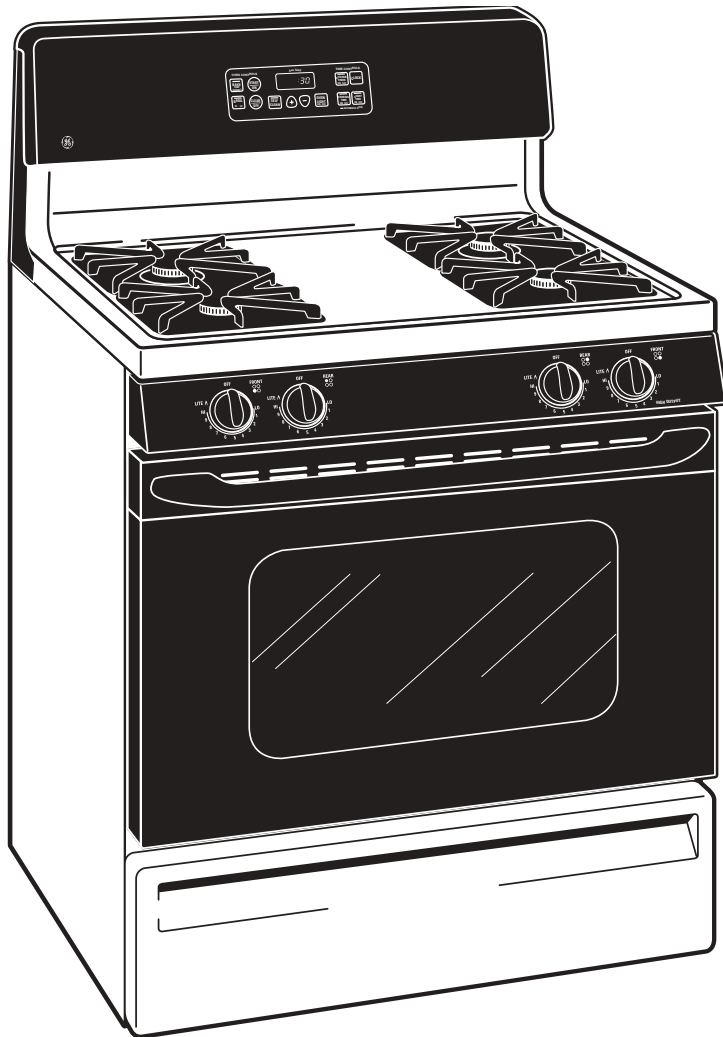
For answers to your Monogram®, GE Profile™ or GE® appliance questions, visit our website at GEAppliances.com or call GE Answer Center® service, 800.626.2000.

Specification Created 5/03



GE Appliances

JGBP30BEH – GE® 30" Free-Standing Self-Clean Gas Range



Features and Benefits

- Self Clean Oven – Conveniently cleans the oven cavity without need of scrubbing.
- Extra-Large Oven Capacity – Provides a large oven interior ideal for cooking more items at once.
- TrueTemp™ System – Delivers even heat distribution and maximum oven control.
- QuickSet IV Oven Controls – Feature an easy to use design that lets you set precise cooking temperatures.
- High Output Burner – Provides a powerful burner output for efficient heat-up and sautéing.
- Precise Simmer Burner – Offers a low setting of 600 BTUs, ensuring more temperature control for simmering.
- All Purpose Burners – Deliver a wide range of heat output ideal for most cooking requirements.
- Model JGBP30WEHWW – White on white (white door and white patterned cooktop)
- Model JGBP30CEHCC – Bisque on bisque (bisque door and bisque patterned cooktop)
- Model JGBP30BEHWH – White (black door and white patterned cooktop)
- Model JGBP30BEHCT – Bisque (black door and bisque patterned cooktop)

Specification Created 5/03

Free Manuals Download Website

<http://myh66.com>

<http://usermanuals.us>

<http://www.somanuals.com>

<http://www.4manuals.cc>

<http://www.manual-lib.com>

<http://www.404manual.com>

<http://www.luxmanual.com>

<http://aubethermostatmanual.com>

Golf course search by state

<http://golfingnear.com>

Email search by domain

<http://emailbydomain.com>

Auto manuals search

<http://auto.somanuals.com>

TV manuals search

<http://tv.somanuals.com>