

JGBS23WEL/CEL/BEL

GE® 30" Free-Standing Gas Range

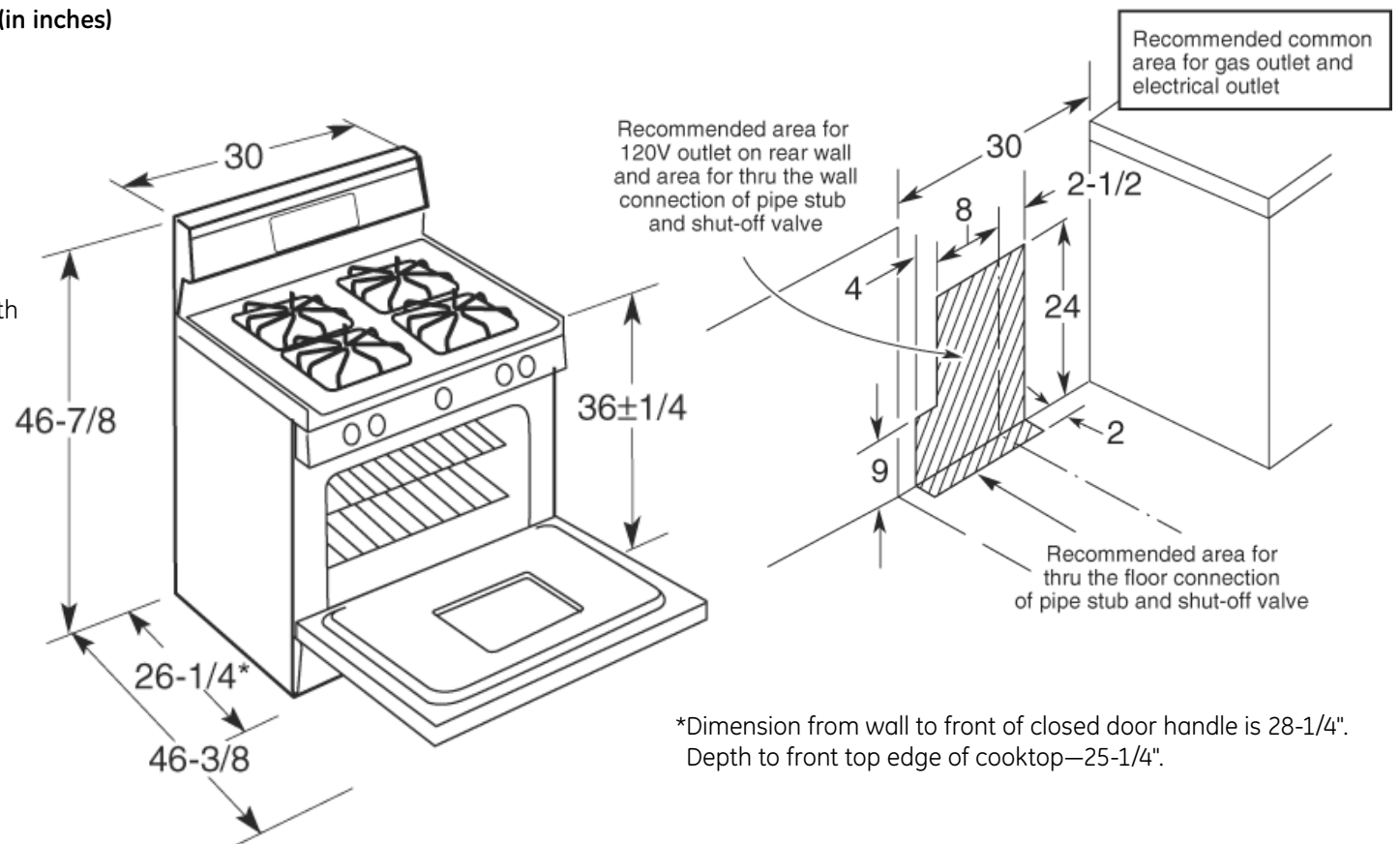
Dimensions and Installation Information (in inches)

Factory set for Natural gas. A set of LP orifices is included with each range for LP conversion.

Gas Self-Clean Range Anti-Tip Bracket (Part No. 205C1714P001)

Electrical Rating: 120V, 60Hz, 5A

Installation Information: Before installing, consult installation instructions packed with product for current dimensional data.



*Dimension from wall to front of closed door handle is 28-1/4".
Depth to front top edge of cooktop—25-1/4".

For answers to your Monogram,® GE Profile™ or GE® appliance questions, visit our website at ge.com or call GE Answer Center® service, 800.626.2000.



imagination at work



All GE ranges are equipped with an Anti-Tip device. The installation of this device is an important, required step in the installation of the range.



Specification Created 6/06

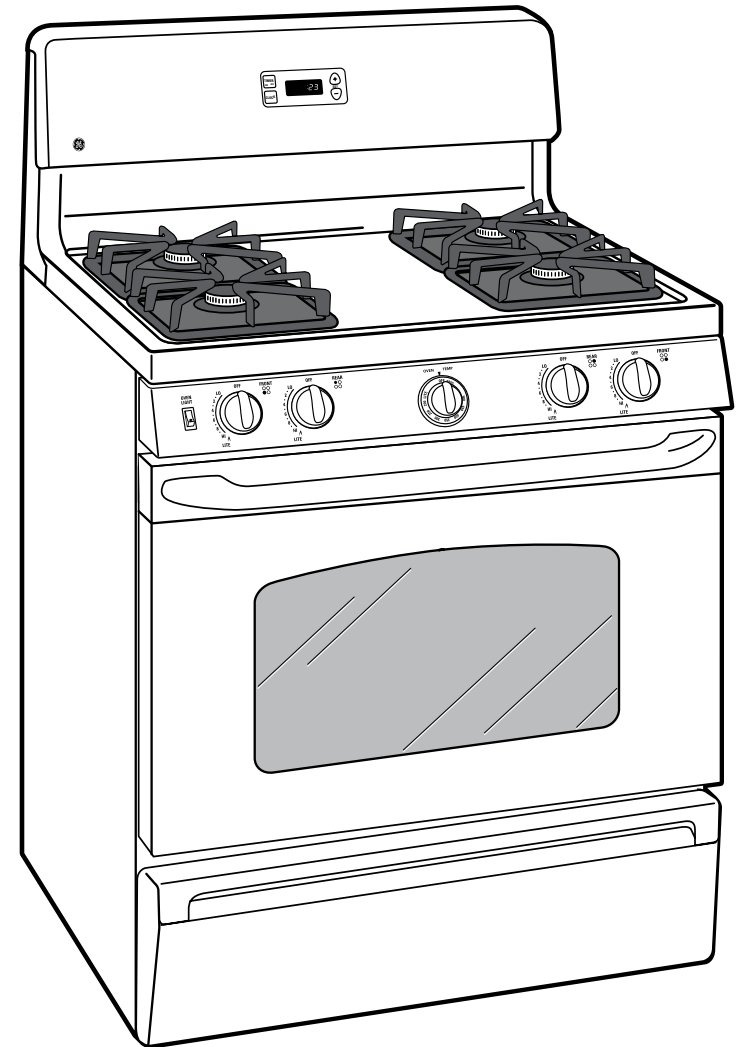
330415

JGBS23WEL/CEL/BEL

GE® 30" Free-Standing Gas Range

Features and Benefits

- Extra-Large Oven Capacity - Provides a large oven interior ideal for cooking more items at once
- 12,000 BTU Power Burner - Delivers a wide range of heat output ideal for most cooking requirements
- Precise Simmer Burner - Offers a low setting of 600 BTUs, ensuring more temperature control for simmering
- Sealed Cooktop Burners - Eliminate the space between the burners and the cooktop to help contain spills and boil over liquids, ensuring easy cleanup
- Electronic Clock and Timer - Features a convenient digital clock and easy-to-use timer with an audible signal to help coordinate cooking times in the kitchen
- Deluxe Grates - Provide a sturdy and durable cookware surface for everyday cooking
- Big Hearth Window - Features an enhanced shape to add an elegant appearance and make viewing trouble-free
- Model JGBS23WELWW - White on white (white door and white cooktop)
- Model JGBS23CELCC - Bisque on bisque (bisque door and bisque cooktop)
- Model JGBS23BELBB - Black on black (black door and black cooktop)



Free Manuals Download Website

<http://myh66.com>

<http://usermanuals.us>

<http://www.somanuals.com>

<http://www.4manuals.cc>

<http://www.manual-lib.com>

<http://www.404manual.com>

<http://www.luxmanual.com>

<http://aubethermostatmanual.com>

Golf course search by state

<http://golfingnear.com>

Email search by domain

<http://emailbydomain.com>

Auto manuals search

<http://auto.somanuals.com>

TV manuals search

<http://tv.somanuals.com>