

JKS10SP

GE® 27" Built-In Single Wall Oven

Dimensions and Installation Information (in inches)

KW Rating	
240V	3.4
208V	2.6
Breaker Size	
240V	20 Amps
208V	20 Amps

Note: These ovens are not approved for stackable or side-by-side installations.

Note: These ovens can be installed side-by-side with no less than 30" distance between center-to-center of each oven.

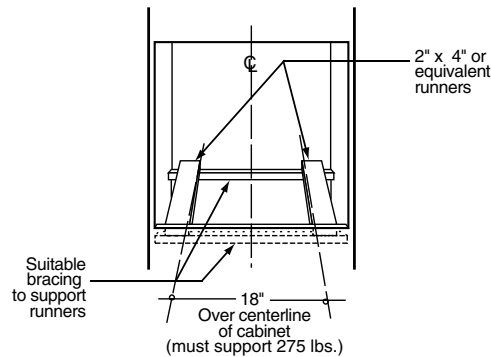
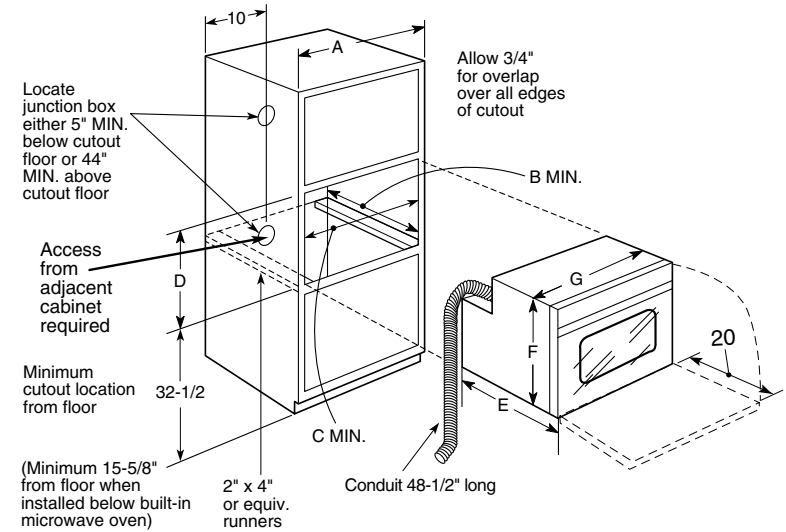
Note: Cabinets installed adjacent to wall ovens must have an adhesion spec of at least a 194°F temperature rating.

Note: For 27" built-in single ovens, if marks, blemishes or the cutout opening is visible above the installed oven, it may be necessary to add wood shims under the runners and front trim until the marks or openings are covered.

Note: Door handle protrudes 3" from door face. Cabinets and drawers on adjacent 45° and 90° walls should be placed to avoid interference with the handle.

Electric wall ovens are not approved for installation with a plug and receptacle. They must be hard wired in accordance with installation instructions.

Installation Information: Before installing, consult installation instructions packed with product for current dimensional data.



Cabinet	27"
A - Cabinet width required	27" min.
B - Minimum cabinet depth	23-5/8"
C - Opening width	25" min. - 25-1/4" max.
D - Opening height	27-5/8" min. - 28-1/8" max.
Oven	
E - Overall depth*	23-5/8"
F - Overall height with trim	29-7/8" - 30-3/4"
Overall height without trim	29"
G - Overall width	26-5/8"

*Depth including door handle is approximately 26-7/10" min. to 26-8/10" max.

For answers to your Monogram®, GE Profile™ or GE® appliance questions, visit our website at ge.com or call GE Answer Center® service, 800.626.2000.



imagination at work



All GE ranges are equipped with an Anti-Tip device. The installation of this device is an important, required step in the installation of the range.



Listed by Underwriters Laboratories

Specification Created 5/09

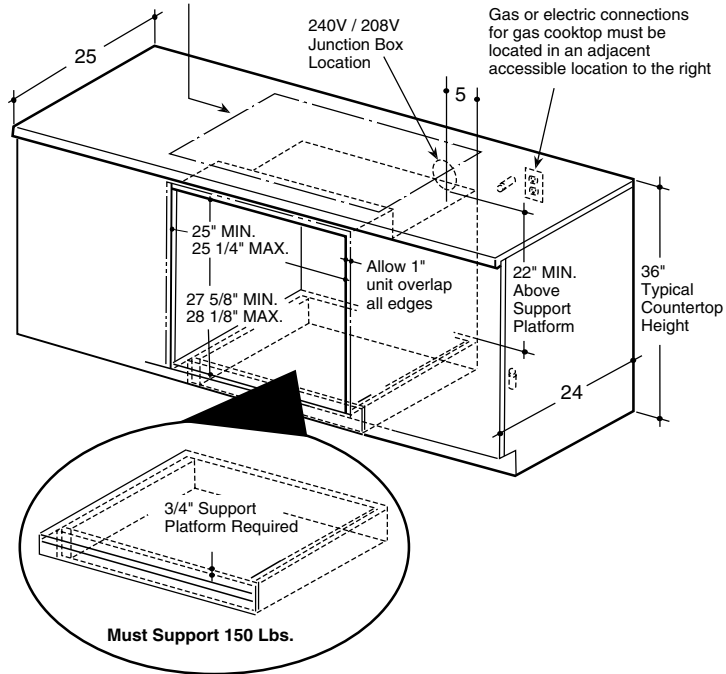
320435

JKS10SP

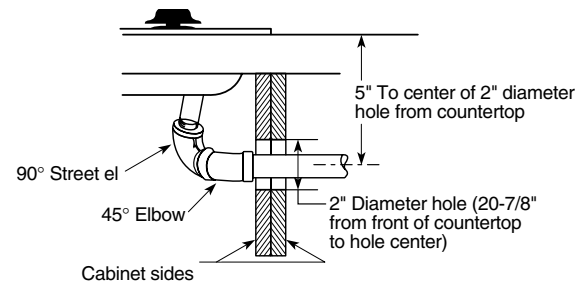
GE® 27" Built-In Single Wall Oven

Undercounter Installation Dimensions

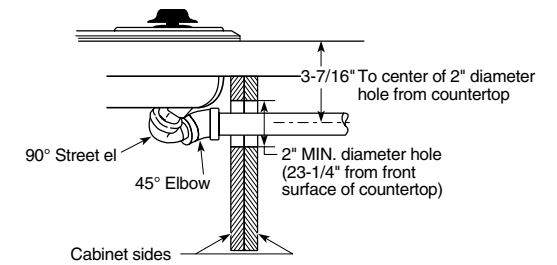
Gas or electric cooktops may be installed over this oven. See cooktop installation instructions for cutout size. See label on top of oven for approved cooktop models.



Sealed Burner Gas Cooktop Installation Dimensions



Standard Burner Gas Cooktop Installation Dimensions



Note: Cabinets installed adjacent to wall ovens must have an adhesion spec of at least a 194°F temperature rating.

Note: Oven is rated for use only under 30" standard or sealed burner gas and selected 30" CleanDesign and Calrod® electric cooktops.

Installation Information: Before installing, consult installation instructions packed with product for current dimensional data.

Electric wall ovens are not approved for installation with a plug and receptacle. They must be hard wired in accordance with installation instructions.

For answers to your Monogram®, GE Profile™ or GE® appliance questions, visit our website at ge.com or call GE Answer Center® service, 800.626.2000.



All GE ranges are equipped with an Anti-Tip device. The installation of this device is an important, required step in the installation of the range.



Listed by Underwriters Laboratories

Specification Created 5/09

320435

JKS10SP

GE® 27" Built-In Single Wall Oven

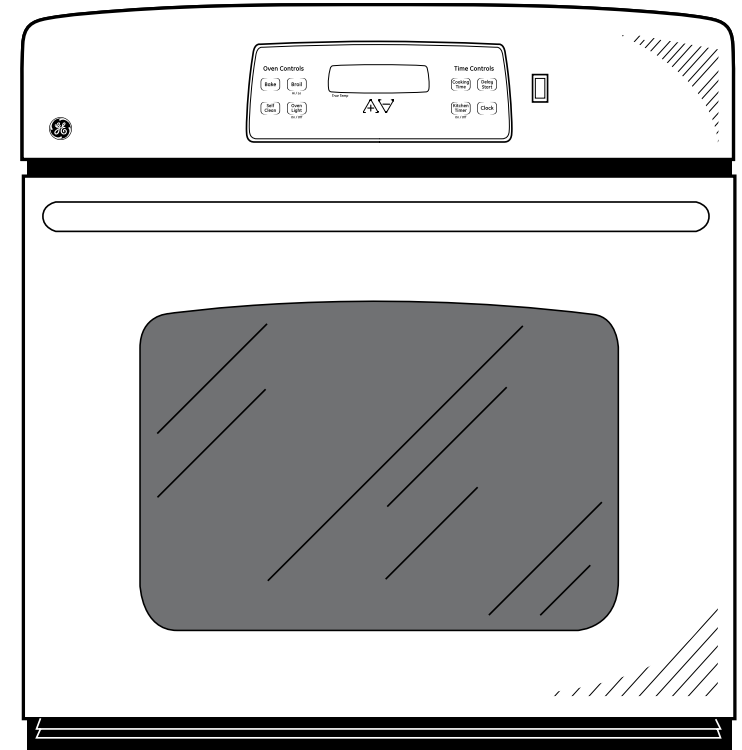
Features and Benefits

- Standard-clean Oven - Smooth surface and rounded corners make clean-up quick and easy
- Extra-large Oven Capacity - Enough room to cook an entire meal at once
- Electronic Oven Controls - Electronic pads on the control panel are easy to operate with just a touch
- Interior Oven Light - Bright interior light helps you check on the progress of your cooking
- Hidden Bake Oven Interior - Conceals the lower oven bake element to eliminate hard-to-reach areas that collect food and spills for easy cleaning
- Heavy-duty Oven Racks - Tough, durable racks include 50% thicker crossbars for extra strength
- Variable Broil - The choice is yours: High Broil for beef to seal in the juices, or Low Broil for poultry, when it needs to cook more thoroughly
- Certified Sabbath Mode - Convenient mode keeps the oven warm in accordance within the restrictions of the kosher kitchen
- Multiple Oven Rack Positions - Several positions allow you to adjust the oven racks to accommodate any size cookware
- Audible Preheat Signal - Convenient signal alerts you when the oven reaches your desired temperature
- Delay Bake - Choose the right time and temperature to begin baking your favorite foods
- Model JKS10SPSS – Stainless Steel

For answers to your Monogram®, GE Profile™ or GE® appliance questions, visit our website at ge.com or call GE Answer Center® service, 800.626.2000.



imagination at work



All GE ranges are equipped with an Anti-Tip device. The installation of this device is an important, required step in the installation of the range.



Listed by
Underwriters
Laboratories

Specification Created 5/09

320435

Free Manuals Download Website

<http://myh66.com>

<http://usermanuals.us>

<http://www.somanuals.com>

<http://www.4manuals.cc>

<http://www.manual-lib.com>

<http://www.404manual.com>

<http://www.luxmanual.com>

<http://aubethermostatmanual.com>

Golf course search by state

<http://golfingnear.com>

Email search by domain

<http://emailbydomain.com>

Auto manuals search

<http://auto.somanuals.com>

TV manuals search

<http://tv.somanuals.com>