

PT970BM/CM/WM

GE Profile™ 30" Built-In Double Microwave/Convection Oven

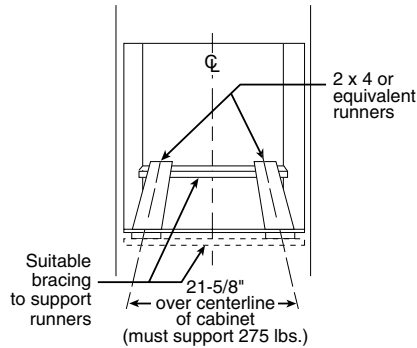
Dimensions and Installation Information (in inches)

KW Rating	
240V	6.4
208V	5.6
Breaker Size	
240V	30 Amps
208V	30 Amps

Note: Cabinets installed adjacent to wall ovens must have an adhesion spec of at least a 194°F temperature rating. **Electric wall ovens are not approved for installation with a plug and receptacle. They must be hard wired in accordance with installation instructions.**

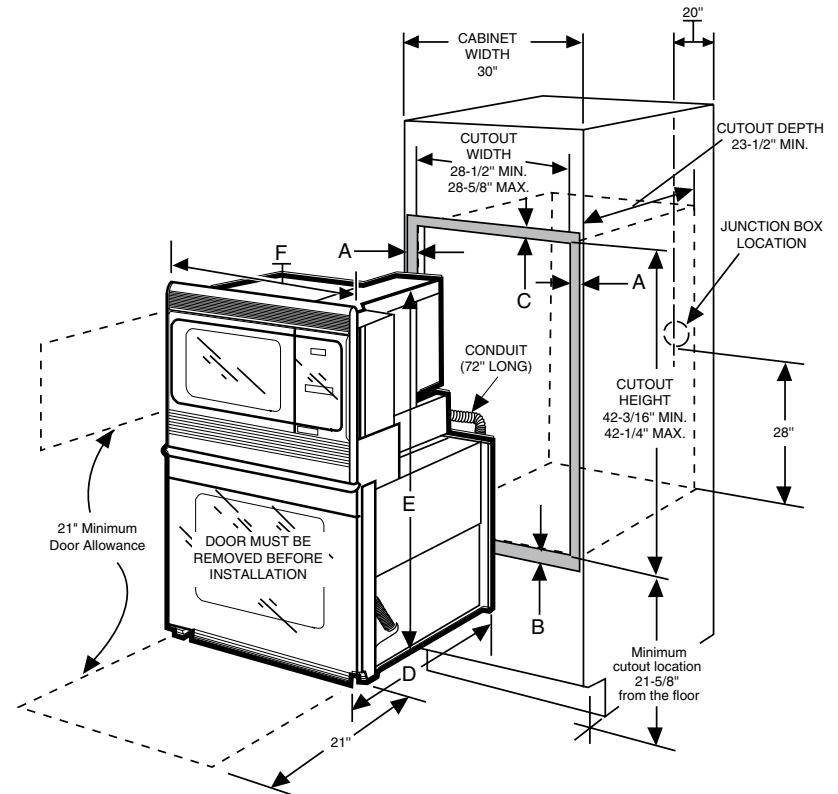
Door handle protrudes 3" from door face. Cabinets and drawers on adjacent 45° and 90° walls should be placed to avoid interference with the handle.

Installation Information: Before installing, consult installation instructions packed with product for current dimensional data.



Cabinet	30"
A - Overlap of oven over side of edges of cutout	11/16"
B - Overlap of oven at top and bottom of cutout	1"
C - Overall of oven at top of cutout	1/2"
Oven	
D - Overall depth*	23-1/2"
E - Overall height with trim	44"
Overall height without trim	43-1/2"
E - Overall width	29-3/4"

*Depth including door handle is approximately 26-6/10" min. to 26-9/10" max.



MOST 30" WALL CABINETS CAN BE USED WITH THIS UNIT. THE OPENING BETWEEN THE INSIDE WALLS MUST BE AT LEAST 28-1/2" WIDE.

For answers to your Monogram®, GE Profile™ or GE® appliance questions, visit our website at ge.com or call GE Answer Center® service, 800.626.2000.



imagination at work



Listed by Underwriters Laboratories

Specification Revised 9/07

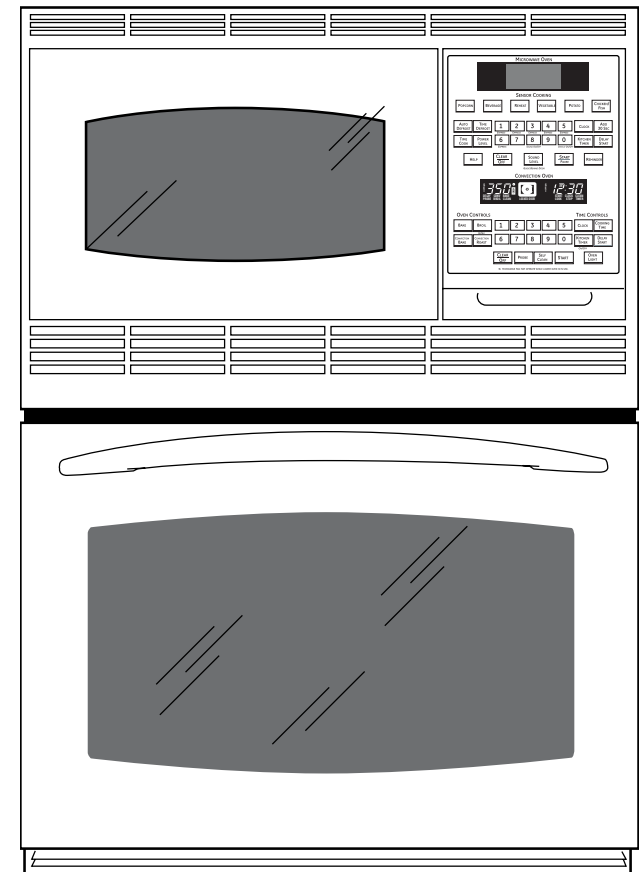
220143

PT970BM/CM/WM

GE Profile™ 30" Built-In Double Microwave/Convection Oven

Features and Benefits

- PreciseAir™ Convection System - Delivers even air and heat circulation for superior baking and roasting results
- Convection Bake (Lower Oven Only) - Provides you with ideal airflow throughout the oven cavity, ensuring better baking results
- Convection Roast (Lower Oven Only) - Provides you with even cooking and consistent results, roasting meats up to 25% faster than a conventional oven
- Extra-Large Oven Capacity (Lower Oven Only) - Provides you with a large oven interior ideal for cooking more items at once
- Self-Clean Oven (Lower Oven Only) - Conveniently cleans the oven cavity without the need for you to scrub
- Electronic Oven Controls (Lower Oven) - Easy-to-use electronic controls help prepare great meals in less time
- 1.6 Cu. Ft. Capacity (Upper Oven Only) - Provides a large interior to accommodate a variety of cookware, dinnerware and food containers
- Hidden Bake Oven Interior (Lower Oven) - Hides previously exposed bottom element to make clean up even easier
- Frameless Glass Oven Door - Offers an easy-to-clean and stylish design that blends seamlessly into existing cabinetry
- Big ClearView™ Window - An extra large clear window makes monitoring the progress of food easy
- Model PT970BMBB – Black on black
- Model PT970CMCC – Bisque on bisque
- Model PT970WMWW – White on white



imagination at work

Specification Revised 9/07

220143

Free Manuals Download Website

<http://myh66.com>

<http://usermanuals.us>

<http://www.somanuals.com>

<http://www.4manuals.cc>

<http://www.manual-lib.com>

<http://www.404manual.com>

<http://www.luxmanual.com>

<http://aubethermostatmanual.com>

Golf course search by state

<http://golfingnear.com>

Email search by domain

<http://emailbydomain.com>

Auto manuals search

<http://auto.somanuals.com>

TV manuals search

<http://tv.somanuals.com>