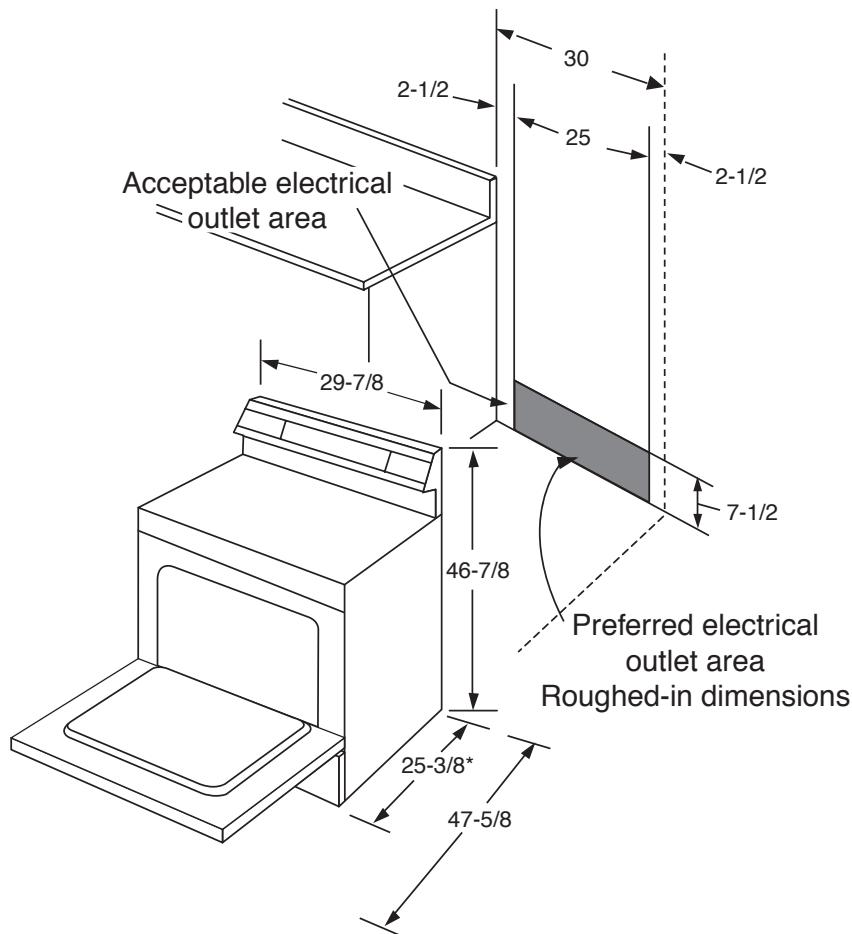




Profile™

JBP99SH – GE Profile™ 30" Free-Standing CleanDesign Electric Range

Dimensions and Installation Information (in inches)



KW Rating	
240V	11.5
208V	8.3
Breaker Size	
40 Amps†	

†**Note:** Check local codes for required breaker size.

Effective January 1, 1996, the National Electrical Code requires that new construction (not existing) utilize a 4-conductor connection to an electric range.

Receptacle Locations

Locally approved flexible service cord or conduit must be used because terminals are not accessible after range installation. See shaded area in drawing for location of electrical outlet box. Recommended outlet locations allow range to be installed directly against wall.

Note: Conforms to U.L. requirements for 0" spacing for adjacent walls below countertops. To reduce possibility of scorching walls, it is recommended a minimum of 1-1/2" spacing be allowed from adjacent side walls to allow for possible extended, high-heat, no-load heating element operation.

Installation Information: Before installing, consult installation instructions packed with product for current dimensional data.



All GE ranges are equipped with an Anti-Tip device. The installation of this device is an important, required step in the installation of the range.



Listed by Underwriters Laboratories



For answers to your Monogram®, GE Profile™ or GE® appliance questions, visit our website at ge.com or call GE Answer Center® service, 800.626.2000.

*Dimension from wall to front of closed door handle is 27-3/8."

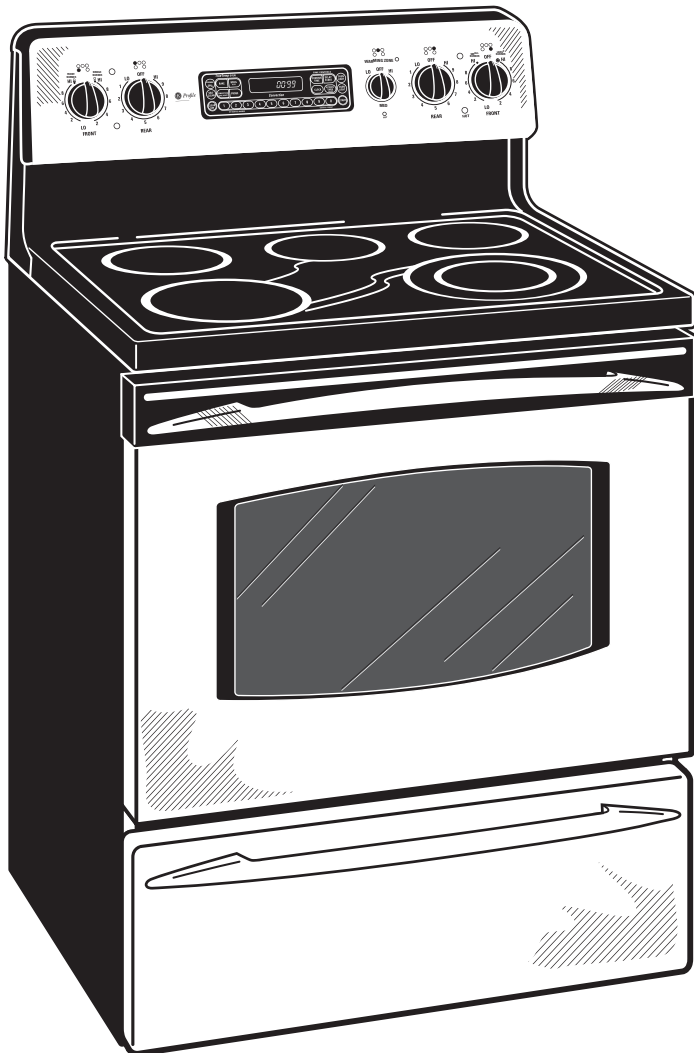
Specification Revised 9/04

221070



Profile™

JBP99SH – GE Profile™ 30" Free-Standing CleanDesign Electric Range



Features and Benefits

- True European convection – A third dual-loop heating element surrounds the fan to deliver uniform and savory cooking results
- Self-clean oven – Conveniently cleans oven cavity without the need for scrubbing
- Super-large oven capacity – Provides an impressively large oven interior for cooking more dishes and large meals at one time
- TrueTemp™ system – Delivers even heat distribution and maximum oven control
- Dual size ribbon element – Offers a convenient choice of using a 6" or 9" heating element, depending on the size of the pan
- Warming zone – Provides low heat capability for foods, making meal coordination simple
- QuickSet V oven controls – Feature an easy to use design that allows you to set precise cooking temperatures
- Ceramic glass cooktop – A smooth cooktop surface makes cleaning quick and easy
- Big ClearView™ window – An extra large clear window makes monitoring the progress of food easy
- Six-pass bake element – A powerful, continuous heating element that loops throughout the oven, delivering evenly cooked foods
- Model JBP99SHSS – Stainless steel with black accents
- Model JBP99THWW – True white (white glass door and true white cooktop)
- Model JBP99KHCC – True bisque (bisque glass door and true bisque cooktop)
- Model JBP99BHBB – Black on black (black glass door and black patterned cooktop)

Specification Revised 9/04

221070

Free Manuals Download Website

<http://myh66.com>

<http://usermanuals.us>

<http://www.somanuals.com>

<http://www.4manuals.cc>

<http://www.manual-lib.com>

<http://www.404manual.com>

<http://www.luxmanual.com>

<http://aubethermostatmanual.com>

Golf course search by state

<http://golfingnear.com>

Email search by domain

<http://emailbydomain.com>

Auto manuals search

<http://auto.somanuals.com>

TV manuals search

<http://tv.somanuals.com>