

JAS02SN

GE® 24" Standard Clean Free-Standing Electric Range

Dimensions and Installation Information (in inches)

KW Rating	
240V	7.4
208V	9.8
Breaker Size	
40 Amps†	

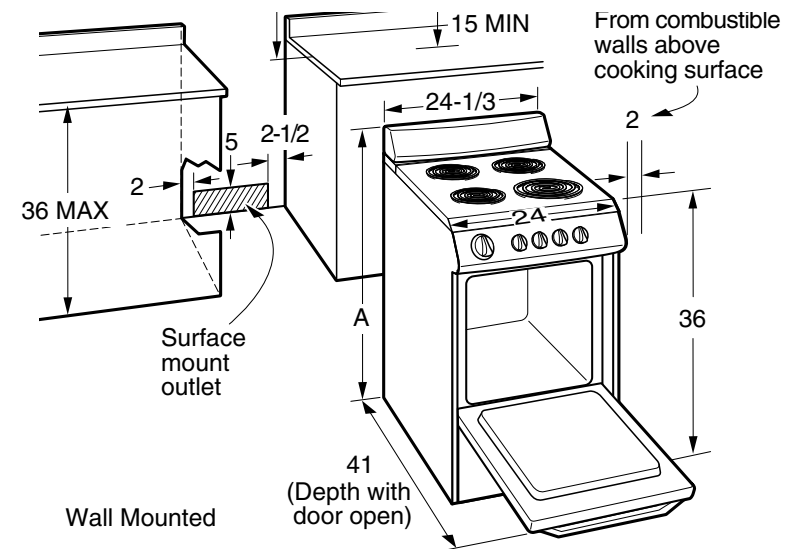
†**Note:** Check local codes for required breaker size.

Effective January 1, 1996, the National Electrical Code requires that new construction (not existing) utilize a 4-conductor connection to an electric range.

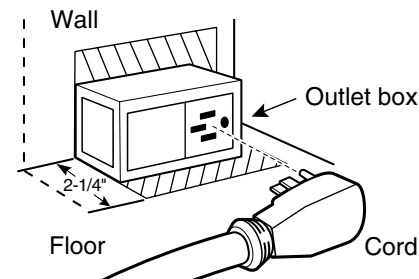
Receptacle Locations: Locally approved flexible service cord or conduit must be used because terminals are not accessible after range installation. See shaded area in drawing for location of electrical outlet box. Recommended outlet locations allow range to be installed directly against wall.

One year warranty: Entire appliance; parts and labor; in-home

Installation information: Before installing, consult installation instructions packed with product for current dimensional data.



A = 44-2/3 for model JAS02SNSS and 47 for model JAP02SNSS



Recommended acceptable electrical outlet area. Orient the electrical receptacle so the length is parallel to the floor.

For answers to your Monogram®, GE Profile™ or GE® appliance questions, visit our website at ge.com or call GE Answer Center® service, 800.626.2000.



All GE ranges are equipped with an Anti-Tip device. The installation of this device is an important, required step in the installation of the range.



Listed by Underwriters Laboratories

Specification Revised 1/08

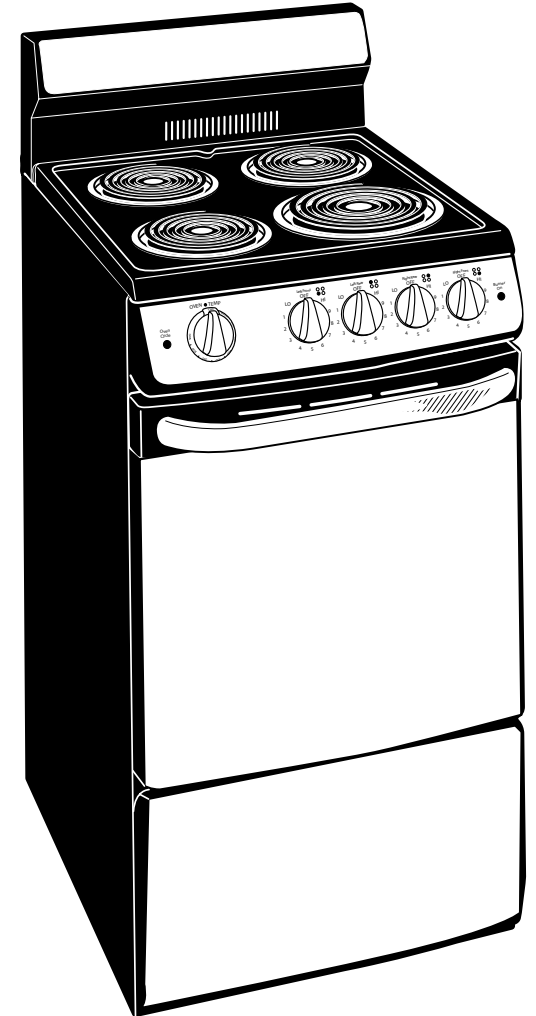
322003

JAS02SN

GE® 24" Standard Clean Free-Standing Electric Range

Features and Benefits

- Coil Heating Elements - Provides consistent and even heat on the cooktop with a plug-in element that is removable for easy cleaning
- Porcelain Upswept Cooktop - Features raised edges to help contain spills and make clean-up easy
- Chrome Drip Bowls - Contain minor spills and are removable for easy cleaning
- 6" Element
- 8" Element
- Dual Element Bake - Alternates the upper broiling element and the lower baking element for even heating and optimal baking results
- CleanWell™ Cooktop System - Ensures spills are properly contained, while providing convenient cleaning access
- Element "On" Indicator Lights
- Upfront Controls - Controls are placed within easy reach at the front center of the cooktop
- Broiler Pan With Grid - Convenient broiler pan can be used when broiling for crisping and browning
- Two Rack Positions
- Model JAS02SNSS – Stainless steel



imagination at work

Specification Revised 1/08

322003

Free Manuals Download Website

<http://myh66.com>

<http://usermanuals.us>

<http://www.somanuals.com>

<http://www.4manuals.cc>

<http://www.manual-lib.com>

<http://www.404manual.com>

<http://www.luxmanual.com>

<http://aubethermostatmanual.com>

Golf course search by state

<http://golfingnear.com>

Email search by domain

<http://emailbydomain.com>

Auto manuals search

<http://auto.somanuals.com>

TV manuals search

<http://tv.somanuals.com>