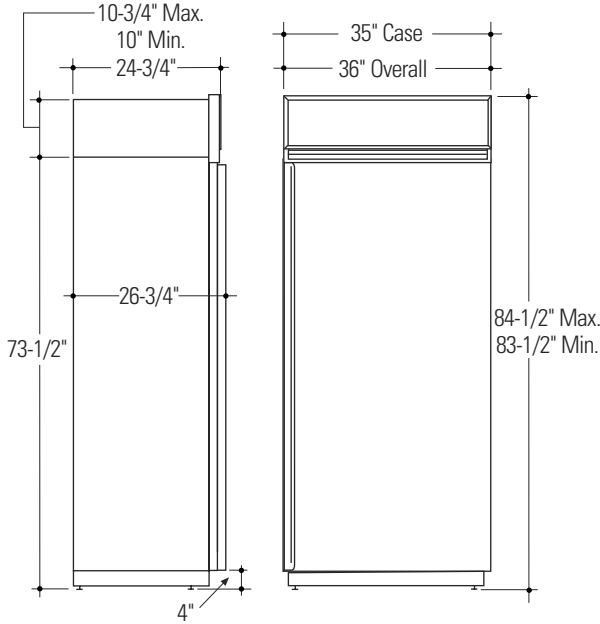




Monogram.

ZIR36NM – GE Monogram 36" Built-In All-Refrigerator

Enclosure Cutout and Product Dimensions (in inches)



ZIR36NMRH, Refrigerator

Handle on the left side, the door swings left to right.

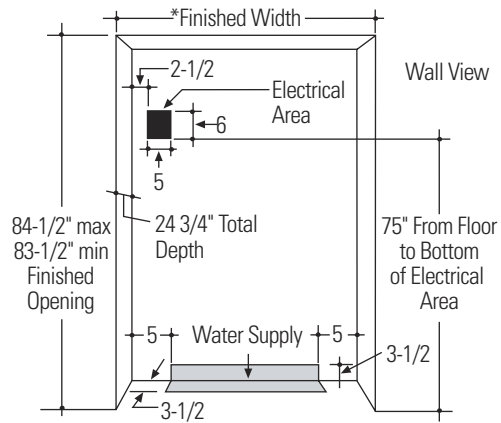
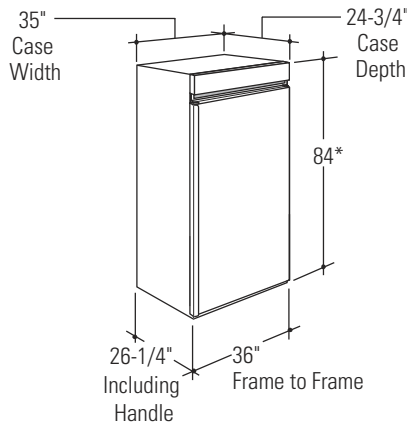
ZIR36NMLH, Refrigerator

Handle on the right side, the door swings right to left.

Caution

Refrigerators are much heavier at the top than at the bottom – be extra careful when moving.

- To achieve a flush fit, the finished cutout width must be at least 36" wide.
- In a semi-flush installation, the finished cutout must be 35-1/2".
- The electrical and water locations must be located as shown for either type of installation.



*36" for a flush installation.

35-1/2" Min. for a semi-flush installation.

Note: Additional cutout width may be required when side panels are used. Add side panel thickness to the finished cutout to calculate rough-in width. See installation examples.

*Shipped at 84" installation height. Can be adjusted to 83-1/2" or 84-1/2" with Grille Panel Kits.

Specification Revised 4/05
110160



Listed by
Underwriters
Laboratories

For answers to your Monogram,® GE Profile™ or GE appliance questions, visit our website at GEAppliances.com or call GE Answer Center® service, 800.626.2000.



Monogram

ZIR36NM – GE Monogram 36" Built-In All-Refrigerator

1/4" Accessory Panels:

Factory trim accepts accessory panel kits. Panels are cut to size and ready to install. Kits must be ordered separately.

Models	White Lexan®	Black Lexan®	Stainless Steel
ZIR36/ZIF36	ZVWR36	ZVBR36	ZVSR36

Door Handles – To match or complement cabinetry!

ZKHR1 – Provides the necessary framework to install a custom handle of your choice, onto a 1/4" thick custom panel. (Handle not included.)

ZKHTR1 – Provides the necessary framework to install a custom handle of your choice, onto a 3/4" thick custom panel. (Handle not included.) This kit must be used in combination with ZKTR36LH or ZKTR36RH.

ZKHRSS1 – Tubular stainless steel handle for 1/4" thick panel installation.

ZKHTRSS1 – Tubular stainless steel handle for 3/4" thick panel installation. This kit must be used in combination with ZKTR36LH or ZKTR36RH.

Custom Panels – Match the cabinetry!

ZKTR36LH for ZIR36NMLH, ZIF36NMLH
ZKTR36RH for ZIR36NMRH, ZIF36NMRH

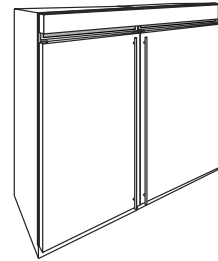
Provides for the installation of 3/4" thick custom door and grille panels. Use this kit for a trimless appearance. This kit provides a standard handle to fit the 3/4" panel.

Grille Panel – For installation height adjustments!

ZGC2 – Provides 1/4" grille panel frame side pieces for 83-1/2" and 84-1/2" installation heights. The supplied grille panel frame is set for 84".

Side-by-Side Installation

ZUG75 Trim Kit – For side-by-side installation of two trimmed units. This kit provides for the installation of a unified 3/4" grille panel to span the width of two units. This kit contains a trim strip to cover the inside case trim for a finished appearance. This kit must be used in combination with BOTH the ZKTR36LH and ZKTR36RH kits.

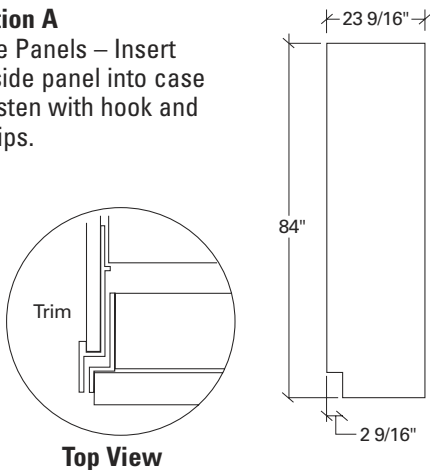


- Side panels are required whenever the sides of the product will be exposed and when installed between frameless cabinets.
- Side panels are not required when installed into an enclosure.
- Side panel installation will be determined by the design of the side panel you have previously chosen.
- Side panels must be installed plumb.

- If you choose to use 1/4" side panels, they should be inserted into the case trim as illustrated. Fasten the panels to the product with stick-on hook and loop fastener strips (not provided) before setting in place. See illustration A.
- 1/2" to 3/4" side panels are normally set into place and fastened to adjacent cabinetry or the back wall before rolling the product into the opening. See illustration B.

Illustration A

1/4" Side Panels – Insert end of side panel into case trim. Fasten with hook and loop strips.

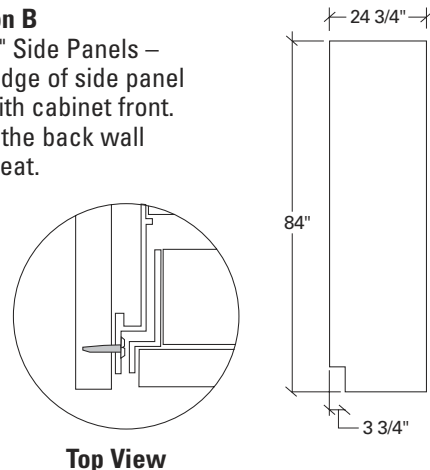


Top View

Standard 4" high toekick or trim to fit.
Height may vary depending on application.

Illustration B

1/2" to 3/4" Side Panels – Leading edge of side panel is flush with cabinet front. Fasten to the back wall using a cleat.



Top View

Standard 4" high toekick or trim to fit.
Height may vary depending on application.

Specification Revised 4/05
110160



Listed by
Underwriters
Laboratories

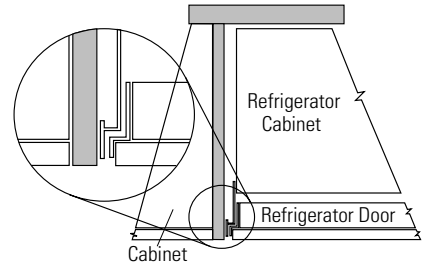
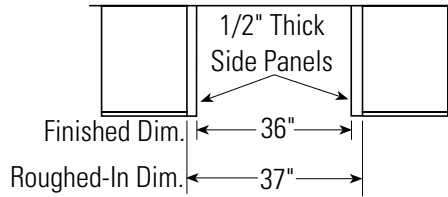
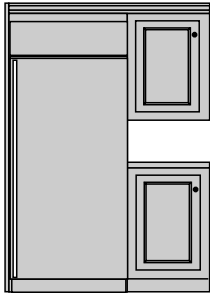
For answers to your Monogram®, GE Profile™ or GE appliance questions, visit our website at GEAppliances.com or call GE Answer Center® service, 800.626.2000.



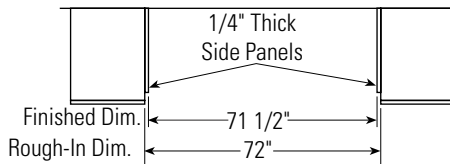
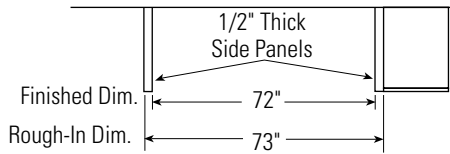
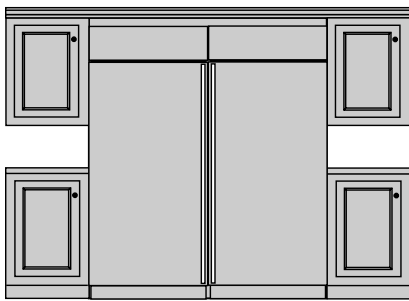
Monogram

ZIR36NM – GE Monogram 36" Built-In All-Refrigerator

Installation at End of Run

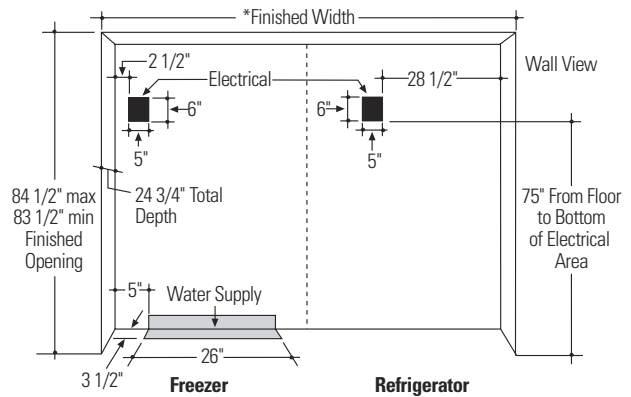
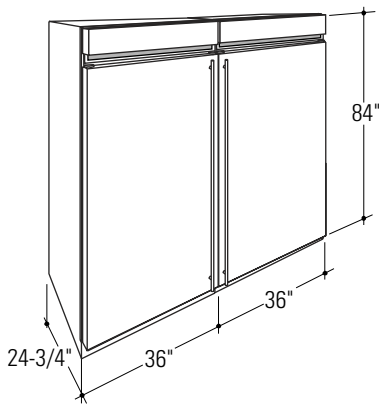


Note: 1/2" thick side panels shown. Side panels can be any thickness. Add side panel thickness to outside trim width (36" or 72" for two models) to calculate the rough-in dimension. The leading (front) edge must be finished to match surrounding cabinetry.



Refrigerator and Freezer installed side-by-side

Side-By-Side Installation of Freezer and Refrigerator



For a complete food storage center, install a Monogram Freezer and Refrigerator side-by-side. For even more capacity, install two refrigerators and/or two freezers.

- Order ZUG75 Unified Grille Panel Kit for one continuous 3/4" custom grille panel.
- The electrical and water locations must be located as shown for either type of installation. A separate 115V, 60Hz., 20 amp power supply is recommended for each product.

*72" min. for a flush installation
71-1/2" min. for a semi-flush installation

Note: Additional cutout width may be required when side panels are used. Add side panel thickness to the finished cutout to calculate rough-in width.

Specification Revised 4/05
110160



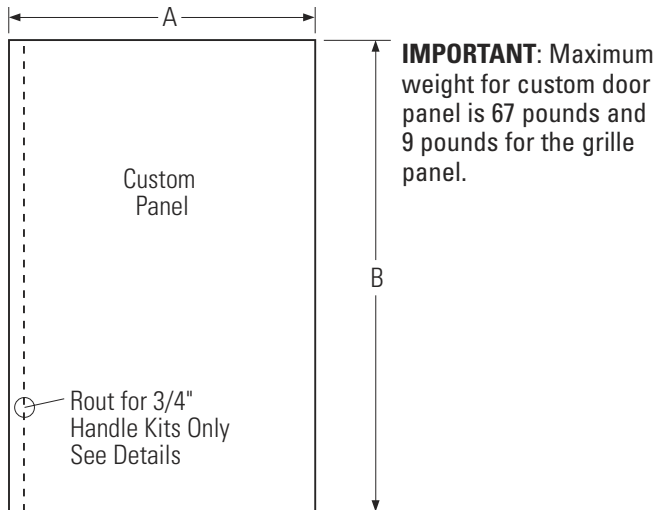
For answers to your Monogram®, GE Profile™ or GE appliance questions, visit our website at GEAppliances.com or call GE Answer Center® service, 800.626.2000.



Monogram.

ZIR36NM – GE Monogram 36" Built-In All-Refrigerator

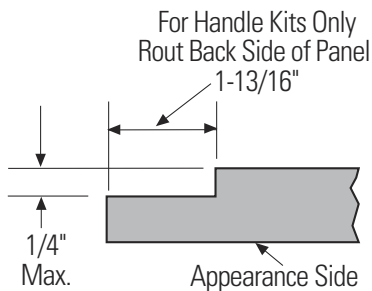
Custom Panel Dimensions



CUSTOM DOOR PANEL SIZES

SIZES	A	B
1/4" Panels	35-1/16"	68-7/8"
3/4" Panels	35-1/16"	68-15/16"
3/4" Panels (custom handles)	35-1/4"	68-15/16"

Routing Detail



Rout the panel when installing a ZKHTR1 Custom Handle Kit or ZKHTRSS1, Tubular Stainless Steel Handle Kit.

**Specification Revised 4/05
110160**

Custom Grille Panel Dimensions



1/4" THICK CUSTOM GRILLE PANEL

Panel Width	Panel Height to Fit Installation Height		
	83-1/2"	84"	84-1/2"
35-1/8"	7-1/2"	8"	8-1/2"

Note: The grille panel frame is factory assembled for 84" installation height. Order ZGC2 Grille Panel Kit when installation height is more or less than 84".

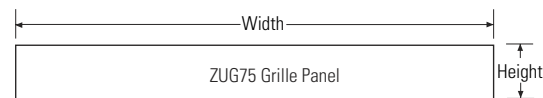
3/4" THICK CUSTOM GRILLE PANEL Requires ZKTR36 Trim Kit

Panel Width	Panel Height to Fit Installation Height		
	83-1/2"	84"	84-1/2"
35-1/4"	7-3/4"	8-1/4"	8-3/4"

Note: A grille panel support is included with the ZKTR36 trim kit and fits all installation heights.

ZUG75 Grille Panel Dimensions

This Grille Panel Kit should be used in combination with ZKTR36H and ZKTR36RH, 3/4" panel kits.



3/4" THICK CUSTOM GRILLE PANEL Requires ZUG75 Trim Kit

Panel Width	Panel Height to Fit Installation Height		
	83-1/2"	84"	84-1/2"
71-3/8"	7-3/4"	8-1/4"	8-3/4"



Listed by
Underwriters
Laboratories

For answers to your Monogram,® GE Profile™ or GE appliance questions, visit our website at GEAppliances.com or call GE Answer Center® service, 800.626.2000.



Monogram.

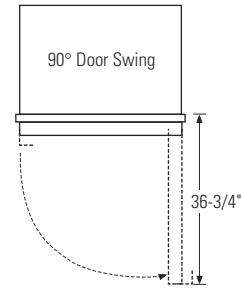
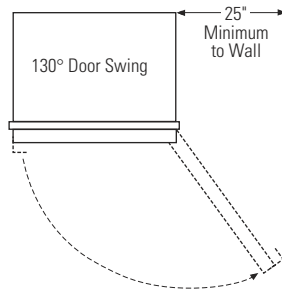
ZIR36NM – GE Monogram 36" Built-In All-Refrigerator

Clearances

- Factory set for a 130° door swing. Order WX14X99 adjustable door stop to reduce swing to as little as 90°.

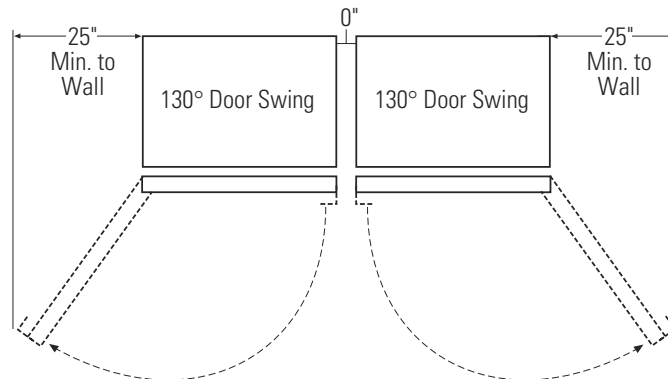
When Installed into a corner:

Allow 25" for a full 130° door swing. Allow 15" for pan removal. Allow 4" min. clearance when door swing is adjusted to a 90° opening for pan access, but pan removal is restricted.



90° door swing with optional WX14X99 door stop.

When installing an All-Refrigerator and All-Freezer side-by-side, allow 25" for a full 130° door swing, or 15" min. on the hinge sides for pan access.



ZUG75 Unified Grille Panel Kit is available for side-by-side installations. See Trim Kit descriptions.

**Specification Revised 4/05
110160**



Listed by
Underwriters
Laboratories

For answers to your Monogram[®] GE Profile[™] or GE appliance questions, visit our website at GEAppliances.com or call GE Answer Center[®] service, 800.626.2000.



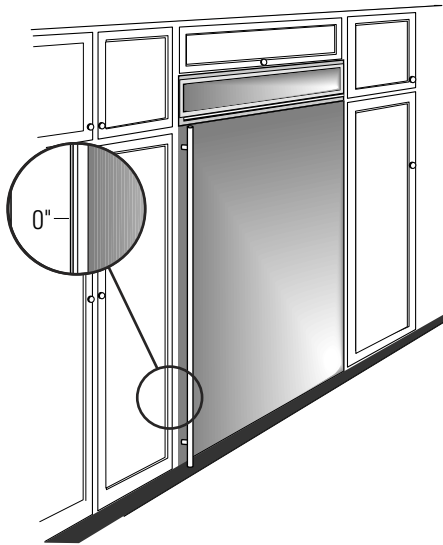
Monogram.

ZIR36NM – GE Monogram 36" Built-In All-Refrigerator

Design Information

Flush or Semi-Flush Enclosure Installation

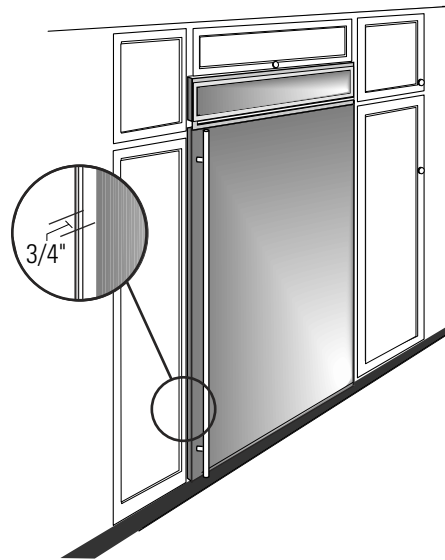
True Flush Installation



True Flush Installation

In a flush installation, the refrigerator door will align evenly with the front face of adjacent cabinet doors. The refrigerator blends into the surrounding cabinetry.

Semi-Flush Installation



Semi-Flush Installation

These refrigerators can also be installed semi-flush into an enclosure using the minimum cutout width. The case trim creates a frame around the opening.

Monogram built-in refrigerators and freezers can be installed flush with typical 24-3/4" deep cabinetry.

When installed semi-flush, the case trim will conceal slight gaps around the enclosure. The refrigerator will project forward approximately 3/4" beyond the front face of surrounding cabinetry.

Side Panel Requirements:

- Side panels are not required whenever the refrigerator or freezer is installed into an enclosure or between pantry and oven cabinets.
- Side panels are required whenever the sides of the product are exposed.
- Side panel sizes vary depending on the type of installation being made.

To accomplish an attractive installation, you must:

1. Determine the need for side panels.
2. Determine side panel thickness.
3. Order matching side panels from the cabinet manufacturer.
Be sure to provide the exact dimensions.

Specification Revised 4/05
110160



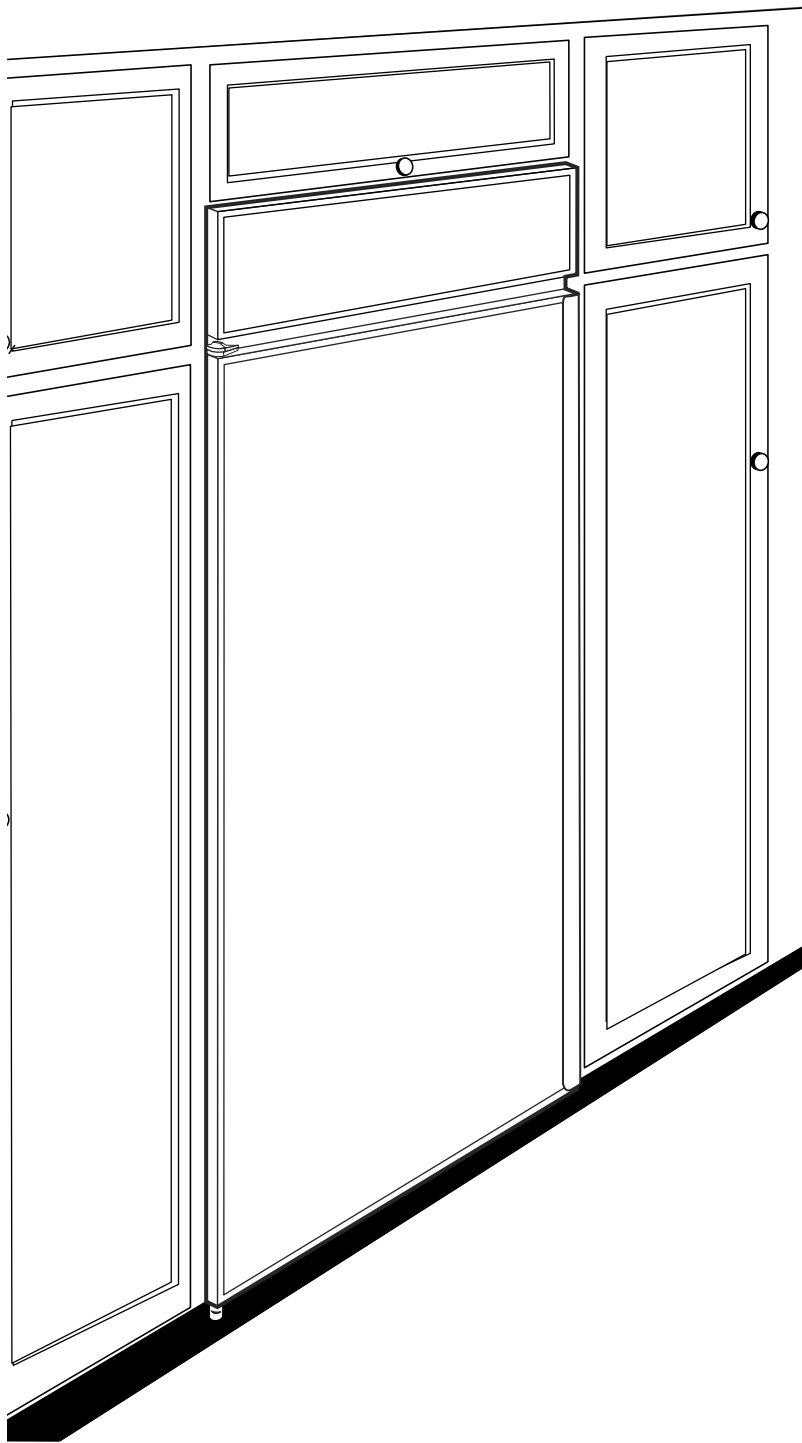
Listed by
Underwriters
Laboratories

For answers to your Monogram[®], GE Profile[™] or GE appliance questions, visit our website at GEAppliances.com or call GE Answer Center[®] service, 800.626.2000.



Monogram.

ZIR36NM – GE Monogram 36" Built-In All-Refrigerator



Features and Benefits

- 21.9 Cu. Ft. Refrigerator Capacity
- Spill Proof Glass Shelves (6 Adjustable, 1 Full-Width Fixed)
- Sealed Snack Pans with Full-Extension Slides
- 2 Extra Large Adjustable Humidity Produce Pans with Easy Access Lids and Full-Extension Slides
- Wine Caddy
- 4 Large Wire Baskets with Full-Extension Slides
- 4 Door Bins and Gallon Storage
- 2 Sealed Dairy Compartments with Glass Covered Butter Dish
- Auto Cycle Defrost Sealed System Design
- Full Extension Slides
- Door Panels Required
- Model ZIR36NMRH – Door panels required (right-handed door swing)
- Model ZIR36NMLH – Door panels required (left-handed door swing)

Specification Revised 4/05
110160

Free Manuals Download Website

<http://myh66.com>

<http://usermanuals.us>

<http://www.somanuals.com>

<http://www.4manuals.cc>

<http://www.manual-lib.com>

<http://www.404manual.com>

<http://www.luxmanual.com>

<http://aubethermostatmanual.com>

Golf course search by state

<http://golfingnear.com>

Email search by domain

<http://emailbydomain.com>

Auto manuals search

<http://auto.somanuals.com>

TV manuals search

<http://tv.somanuals.com>