



RICE COOKER

Model number: 169111

UPC: 681131691116

Customer Assistance

1 877 207 0923 US

1 877 556 0973 Canada



Thank you for purchasing a GE small appliance.

In keeping with the GE ecomagination initiative, please consider the option to recycle the packaging material and donate the appliance you are no longer using.

To read about GE's ecomagination commitment, visit
<http://ge.ecomagination.com>

IMPORTANT SAFETY HINTS

When using electrical appliances, basic safety precautions should always be followed, including the following:

- Read all instructions
- Do not touch hot surfaces. Use handles or knobs.
- To protect against electrical shock do not immerse cord, plugs, or main body in water or other liquid.
- Close supervision is necessary when any appliance is used by or near children.
- Unplug from outlet when not in use and before cleaning. Allow to cool before putting on or taking off parts.
- Do not operate any appliance with a damaged cord or plug or after the appliance malfunctions or has been damaged in any manner. No user-serviceable parts inside. Call our toll-free customer service number for information on examination, repair, or adjustment.
- The use of accessory attachments not recommended by the appliance manufacturer may cause injuries.
- Do not use outdoors.
- Do not let cord hang over edge of table or counter, or touch hot surfaces.
- Do not place on or near a hot gas or electric burner, or in a heated oven.
- Extreme caution must be used when moving an appliance containing hot oil or other hot liquids.
- Do not use appliance for other than intended use.
- Do not immerse main body of rice cooker in water.
- Do not deform inner pot.
- Do not plug in or turn on rice cooker without inner pot in place.
- Do not cover top of rice cooker when cooking.
- When cooking, the steam hole is very hot. Do not touch.
- Keep inside of main body free of moisture and debris.
- The inner pot must be used for the intended purpose only. Do not place on a range for cooking.

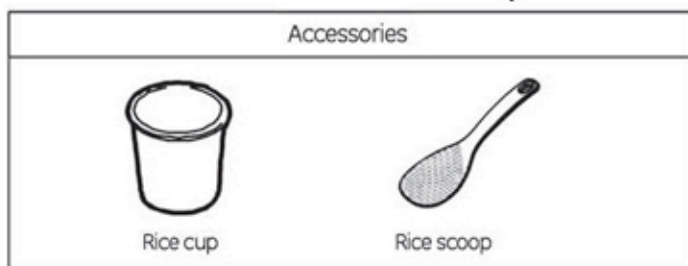
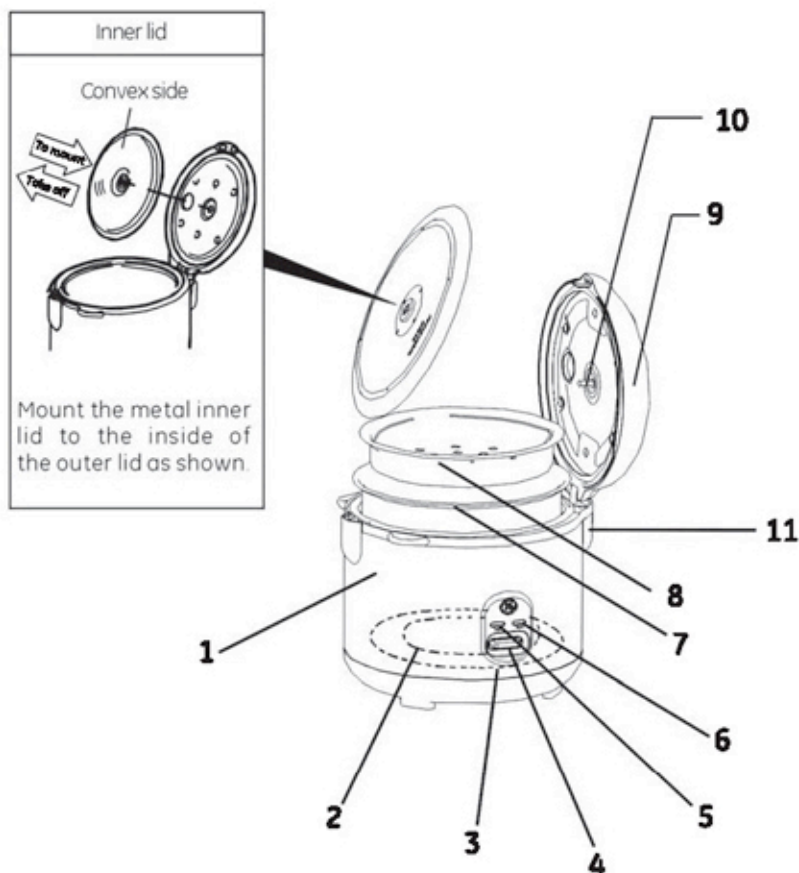
SAVE THESE INSTRUCTIONS

FOR HOUSEHOLD USE ONLY

A short power supply cord is to be provided to reduce the risk resulting from becoming entangled in or tripping over a longer cord. Extension cords are available and may be used if care is exercised in their use. If a longer detachable power supply cord or extension cord is used, the marked electrical rating of the cord set or extension cord should be at least as great as the electrical rating of the appliance, and the cord should be arranged so that it will not drape over the countertop or tabletop where it can be pulled on by children or tripped over unintentionally.

This appliance has a polarized plug (one blade is wider than the other). To reduce the risk of electric shock, this plug is intended to fit into a polarized outlet only one way. If the plug does not fit fully into the outlet, reverse the plug. If it still does not fit, contact a qualified electrician. Do not attempt to modify the plug in any way.

PARTS



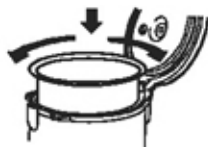
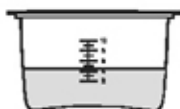
- | | | |
|---------------|--------------------------|----------------------------|
| 1.Main body | 5.Rice cooking indicator | 9.Outer lid |
| 2.Heater | 6.Keep warm indicator | 10.Inner lid install-shaft |
| 3.Thermostat | 7.Inner pot | 11.Water collector |
| 4.Power lever | 8.Steamer | |

OPERATING INSTRUCTIONS

This rice cooker is specially designed so that the Cooking Button cannot be pressed if the inner cooker is not in place.

Note: For best results, wash and soak rice for 30 minutes before cooking (do not rinse or soak in rice cooker).

1. Measure rice and water with the rice cup provided. Follow rice package directions for proper water to rice ratio and according to personal taste.
2. Pour rice and water into the inner cooker. Do not exceed the 1.8L mark.
3. Wipe off any excess water around the outer surface of the inner cooker, thermostat, and heater.
4. Place the inner cooker into the main body of rice cooker.
5. Gently rotate the inner cooker inside the main body for better contact between inner cooker and heater and to better distribute the rice.
6. With a spatula, make sure the rice is spread evenly along bottom of rice cooker.
7. Close the lid. Be sure the lid has audibly clicked shut.
Important: keep lid closed while cooking.
8. Plug in the rice cooker, cook light will illuminate.
9. Press down the power lever
Note: Do not push the power lever down if the inner cooker is empty or the inner cooker is not in the unit.
10. When rice cooking is complete, the cooking indicator will go out and the keep warm indicator will illuminate.
Serving suggestion: allow rice to remain in cooker with lid closed for 5 minutes, then stir before serving.
Note: When keeping rice warm for an extended period of time, add a little water to prevent rice from becoming hard.
11. Unplug the power cable when finished.



Power Cord



Using the Steamer Basket

1. Clean and prepare your food or vegetables.
2. Place the inner cooker into the rice cooker. The length of steaming time is subject to your own personal taste.
3. Add water to the inner cooker depending on the length of steaming time:
7-9 minutes = ½ cup of water
15-17 minutes = 1 cup of water
4. Place the steaming basket on the rim of the inner cooker
5. Add vegetables or food and close the lid. Press the power lever.
6. Unplug after use

Note: the rice cooker does not automatically turn to warm mode when steaming, watch time and manually stop cooking cycle by unplugging your appliance.

POWER CORD



To pull it out

Pull out the power cord from the cooker.

Do not pull out beyond the red marking on the power cord.

To rewind

Slightly pull out the power cord. The self-winding mechanism will retract the cord into rice cooker.

CARE AND MAINTENANCE

1. Unplug the rice cooker and allow to cool before cleaning.
2. This inner cooker has a non-stick protective coating. Clean the inner cooker and inner cover with a soft cloth or sponge and warm soapy water. Never use rough abrasives to rub the inner cooker and inner cover of cooker. Never scrape its surface with utensils or other metal objects. Usual wear may occur, but will not affect the operating function of the cooker.
3. Remove the inner lid by holding the edge and pulling.
4. Completely dry all parts before storing or continuing use.
5. When cleaning the main body, cover, and outer housing, use a soft cloth and warm soapy water.
6. The drip collector should be also taken out for cleaning after each use and replaced. For removal, hold both sides and pull it toward you. For insertion, insert the bottom edge first and then press in the top.

SPECIFICATIONS

Model	169111
Rated voltage	120V~60Hz
Rated power	700W
Keep warm temperature	140-176°F
Capacity	1.8 L, 10 cups
Dimensions	273mm(L)X285mm(W)X290mm(H) (10.75X11.22X11.42 inches)
Net weight	Approx. 3.7kg (8.16 lb.)

CUSTOMER ASSISTANCE

If you have a claim under this warranty, please call our Customer Assistance Number. For faster service, please have the model number and product name ready for the operator to assist you. This number can be found on the bottom of your appliance and on the front page of this manual.

Model Number: _____ **Product Name:** _____

Customer Assistance Number 1.877.207.0923 (US) or 1.877.556.0973 (Canada)

Keep these numbers for future reference!

For more information, please visit us at www.gehousewares.com

TWO-YEAR LIMITED WARRANTY

What does your warranty cover?

- Any defect in material or workmanship.

For how long after the original purchase?

- Two years.

What will we do?

- Provide you with a new one.
- For those items still under warranty but no longer available, WAL-MART reserves the right to replace with a similar GE branded product of equal or greater value.

How do you make a warranty claim?

- Save your receipt.
- Properly pack your unit. We recommend using the original carton and packing materials.
- Return the product to your nearest WAL-MART store or call Customer Assistance at 1-877-207-0923 (U.S.) or 1-877-556-0973 (Canada).

What does your warranty not cover?

- Parts subject to wear, including, without limitation, glass parts, glass containers, cutter/strainer, blades, seals, gaskets, clutches, motor brushes, and/or agitators, etc.
- Commercial use or any other use not found in printed directions.
- Damage from misuse, abuse, or neglect, including failure to clean product regularly in accordance with manufacturer's instructions.

How does state law relate to this warranty?

- This warranty gives you specific legal rights, and you may also have other rights which vary from state to state or province to province.
- This warranty is in lieu of any other warranty or condition, whether express or implied, written or oral, including, without limitation, any statutory warranty or condition of merchantability or fitness for a particular purpose.
- WAL-MART, GE and the product manufacturer expressly disclaim all responsibility for special, incidental and consequential damages or losses caused by use of this appliance. Any liability is expressly limited to an amount equal to the purchase price paid whether a claim, however instituted, is based on contract, indemnity, warranty, tort (including negligence), strict liability, or otherwise. Some states or provinces do not allow this exclusion or limitation of incidental or consequential losses so the foregoing disclaimer may not apply to you.

What if you encounter a problem with this product while using it outside the country of purchase?

- The warranty is valid only in the country of purchase and you follow the warranty claim procedure as noted.



is a trademark of General Electric Company and is used under the license by Wal-Mart Stores Inc., Bentonville, AR 72716

Marketed in Canada by:

Wal-Mart Canada Corp.
1940 Argentia Road, Mississauga, Ontario L5N1P9

Free Manuals Download Website

<http://myh66.com>

<http://usermanuals.us>

<http://www.somanuals.com>

<http://www.4manuals.cc>

<http://www.manual-lib.com>

<http://www.404manual.com>

<http://www.luxmanual.com>

<http://aubethermostatmanual.com>

Golf course search by state

<http://golfingnear.com>

Email search by domain

<http://emailbydomain.com>

Auto manuals search

<http://auto.somanuals.com>

TV manuals search

<http://tv.somanuals.com>