

ZET2SL

GE Monogram® 30" Built-In Double Oven

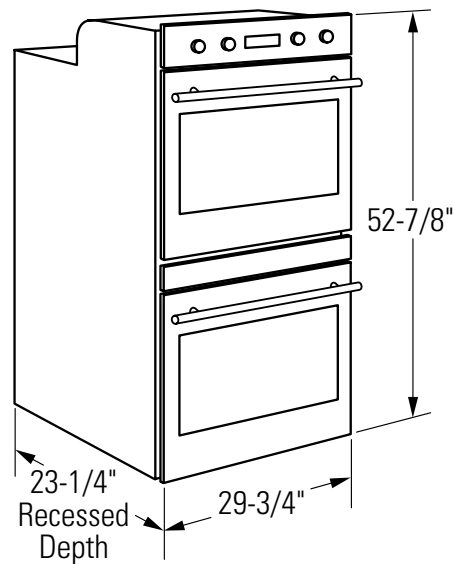
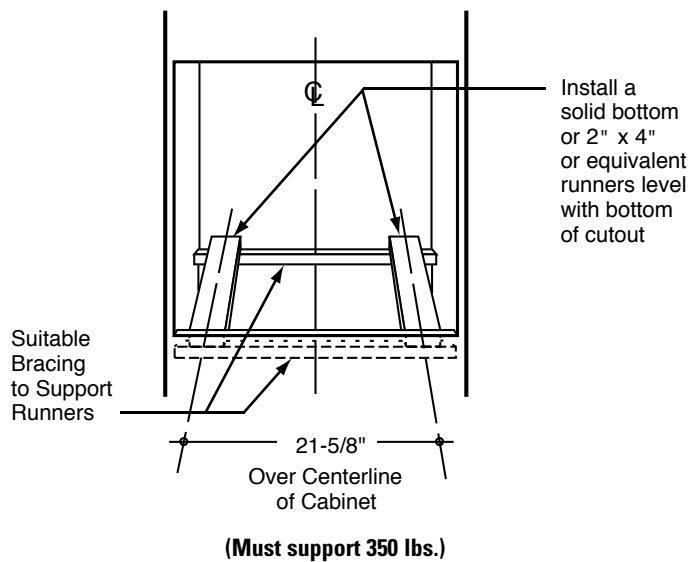
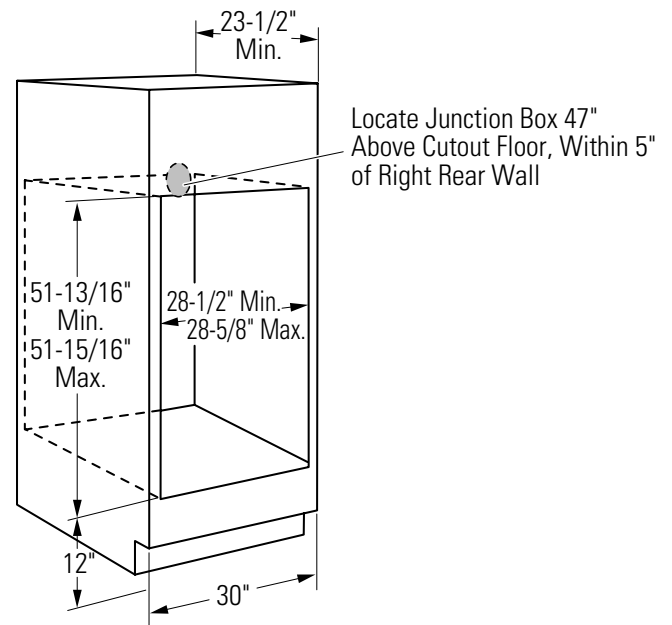
Dimensions and Installation Information (in inches)

KW Rating	
240V	8.0
208V	6.0
Breaker Size	
240V	40 Amps
208V	40 Amps

Electric wall ovens are not approved for installation with a plug and receptacle. They must be hard wired in accordance with installation instructions.

Note: Cabinets installed adjacent to wall ovens must have an adhesion spec of at least a 194°F temperature rating.

Installation Information: Before installing, consult installation instructions packed with product for current dimensional data.



For answers to your Monogram®, GE Profile™ or GE® appliance questions, visit our website at ge.com or call GE Answer Center® service, 800.626.2000.



Specification Revised 3/06

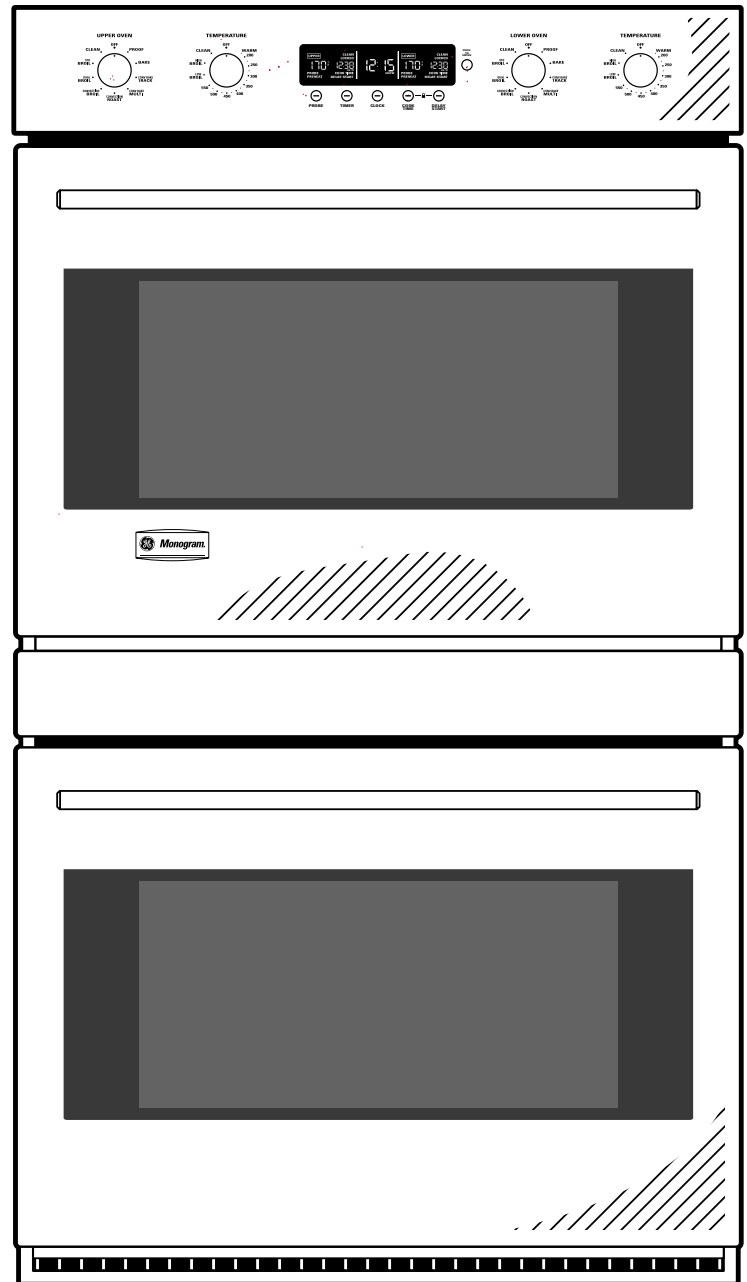
130167

ZET2SL

GE Monogram® 30" Built-In Double Oven

Features and Benefits

- Electronic Dial Controls - As elegant as they are ergonomic
- Halogen Lights - On both sides of the oven provide brilliant, evenly distributed illumination for easy viewing of food as it cooks
- Exclusive Self-Cleaning, Full-Extension Oven Racks - Glide in and out smoothly on stainless steel ball bearings, and are designed to be left in the oven during the self-clean cycle for added convenience after meal preparation
- 4.4 Cu. Ft. Total Capacity - Provides an expanded cooking area to easily accommodate even the largest meals
- True Hidden Bake Element - Concealed beneath the oven floor, allows quick and easy ash removal after the self-clean cycle
- Reverse-Air Convection System - Uses a dedicated third heating element and a bidirectional fan to provide a consistent temperature throughout the oven
- Six-Element Design - Two bake, two broil and two convection elements provide precise cooking control, with fast preheating
- Performance Compensation - For 208V installation boost power as needed in multifamily dwellings
- Sleek Tubular Handles - Smooth, rugged and easy to grasp
- Hand-Finished Edges - Reflect the meticulous quality and craftsmanship for which Monogram products are renowned
- Broil Element with Reflector Shield - Provides complete and even cooking coverage
- Large Viewing Window - Allows you to view your culinary work in progress
- Model ZET2SLSS - Stainless steel



imagination at work

Free Manuals Download Website

<http://myh66.com>

<http://usermanuals.us>

<http://www.somanuals.com>

<http://www.4manuals.cc>

<http://www.manual-lib.com>

<http://www.404manual.com>

<http://www.luxmanual.com>

<http://aubethermostatmanual.com>

Golf course search by state

<http://golfingnear.com>

Email search by domain

<http://emailbydomain.com>

Auto manuals search

<http://auto.somanuals.com>

TV manuals search

<http://tv.somanuals.com>