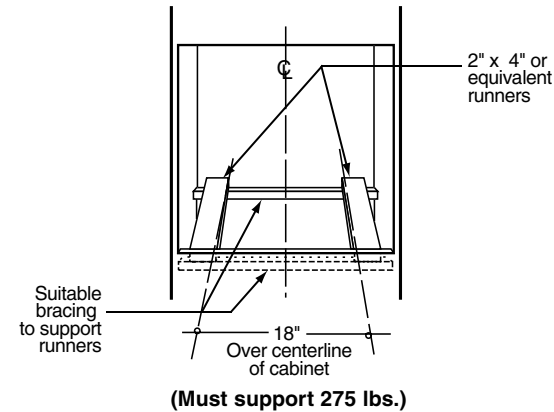
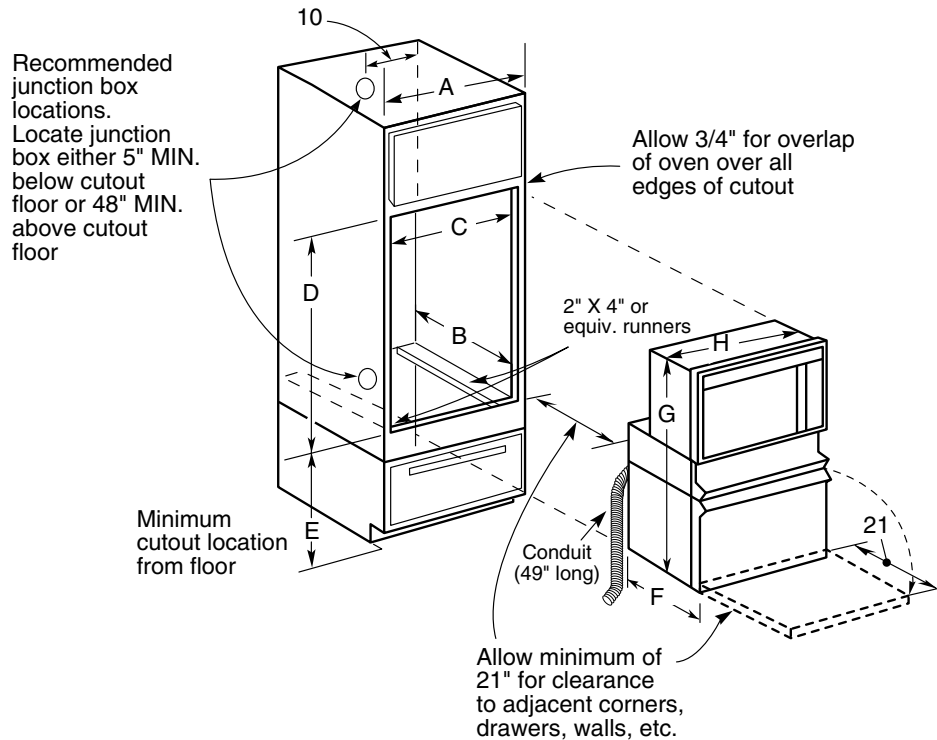




GE Appliances

JKP86SH – GE 27" Built-In Double Microwave/Thermal Oven

Dimensions (in inches)



KW Rating	
240V	6.4
208V	5.1
Breaker Size	
240V	30 Amps
208V	30 Amps

Cabinet	27"
A – Cabinet Width Required	27" min.
B – Minimum Cabinet Depth	23-5/8"
C – Opening Width	25" min.-25"-1/4 max.
D – Opening Height	41-1/4" max.
E – Minimum Cutout Location from Floor	22"
Oven	
F – Overall Depth	23-5/8"
	w/o trim 41-1/8"
G – Overall Height	with trim 42-1/8"
H – Overall Width	26-5/8"

Note: Cabinets installed adjacent to wall ovens must have an adhesion spec of at least a 194°F temperature rating.

Note: If marks, blemishes or the cutout opening is visible above the installed oven, it may be necessary to add wood shims under the runners and front trim until the marks or openings are covered.

Note: Cabinets installed adjacent to wall ovens must have an adhesion spec of at least a 194°F temperature rating.

Installation Information: Before installing, consult installation instructions packed with product for current dimensional data.

Electric wall ovens are not approved for installation with a plug and receptacle. They must be hard wired in accordance with installation instructions.

Specification Revised 5/04
320358

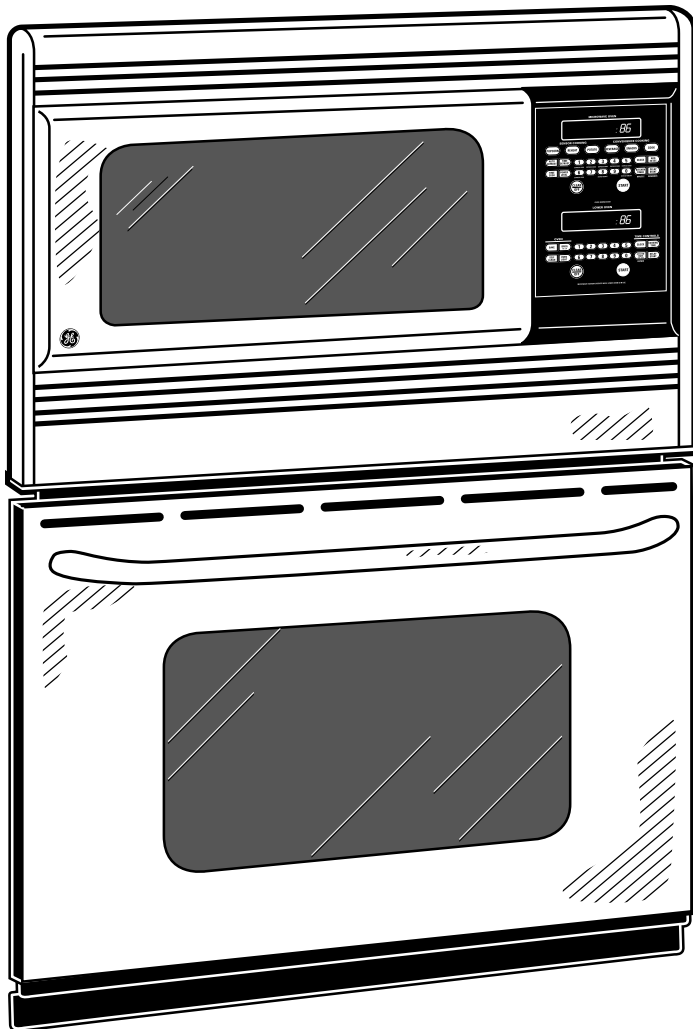


For answers to your Monogram®, GE Profile™ or GE® appliance questions, visit our website at GEAppliances.com or call GE Answer Center® service, 800.626.2000.



GE Appliances

JKP86SH – GE 27" Built-In Double Microwave/Thermal Oven



Features and Benefits

- Upper Oven – 1.6 cu. ft. Capacity Microwave/1000 Watts with Turntable
- Sensor and Convenience Cooking Controls
- Electronic Touch Controls with Kitchen Timer
- Lower Oven – Extra-Large 3.9 cu. ft. Capacity Self-Cleaning Thermal Oven with Delay Clean Option
- TrueTemp™ System
- SmartSet Electronic Oven Controls with Digipad
- 2 Oven Racks with 4 Embossed Rack Positions
- Frameless Glass Oven Door with Big ClearView™ Window and Interior Oven Light
- Model JKP86SHSS – Stainless steel

Specification Revised 5/04

320358

Free Manuals Download Website

<http://myh66.com>

<http://usermanuals.us>

<http://www.somanuals.com>

<http://www.4manuals.cc>

<http://www.manual-lib.com>

<http://www.404manual.com>

<http://www.luxmanual.com>

<http://aubethermostatmanual.com>

Golf course search by state

<http://golfingnear.com>

Email search by domain

<http://emailbydomain.com>

Auto manuals search

<http://auto.somanuals.com>

TV manuals search

<http://tv.somanuals.com>