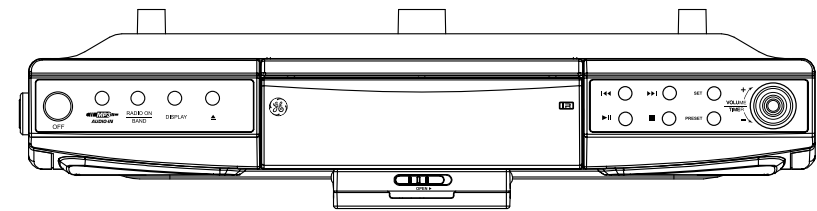


u s e r m a n u a l

manual de usuario

7-5400



EXPORTER
Thomson Inc.
P.O. Box 1976
Indianapolis, IN 46206-1976
©2006 Thomson Inc.
Trademark(s) ® Registered
Marque(s) Déposée(s)
Marca(s) ® Registrada(s)
5639 2420 (EN/E)
www.ge-electronics.com
Printed In China

EN/E

- It is important to read this instruction book prior to using your new product for the first time.
- Es importante leer este manual antes de usar por vez primera su equipo.

FCC Information

This device complies with Part 15 of the FCC Rules. Operation is subject to the following two conditions: (1) This device may not cause harmful interference, and (2) this device must accept any interference received, including interference that may cause undesired operation. In accordance with FCC requirements, changes or modifications not expressly approved by Thomson Inc. could void the user's authority to operate this product. This equipment has been tested and found to comply with the limits for a Class B digital device, pursuant to Part 15 of FCC Rules. These limits are designed to provide reasonable protection against harmful interference in a residential installation. This equipment generates, uses, and can radiate radio frequency energy and, if not installed and used in accordance with the instructions, may cause harmful interference to radio communications. However, there is no guarantee that interference will not occur in a particular installation. If this equipment does cause harmful interference to radio or television reception, which can be determined by turning the equipment off and on, the user is encouraged to try to correct the interference by one or more of the following measures

- Reorient or relocate the receiving antenna.
- Increase the separation between the equipment and receiver.
- Connect the equipment into an outlet on a circuit different from that to which the receiver is connected.
- Consult the dealer or an experienced radio/TV technician for help.

Also, the Federal Communications Commission has prepared a helpful booklet, "How To Identify and Resolve Radio TV Interference Problems." This booklet is available from the U.S. Government Printing Office, Washington, DC 20402. Please specify stock number 004-000-00345-4 when ordering copies.

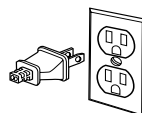
This product complies with DHHS Rules 21 CFR Subchapter J. Applicable at the date of manufacture.



Equipment tested for compliance as a complete unit

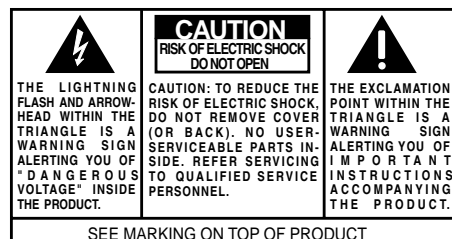
For Your Safety

The AC power plug is polarized (one blade is wider than the other) and only fits into AC power outlets one way. If the plug won't go into the outlet completely, turn the plug over and try to insert it the other way. If it still won't fit, contact a qualified electrician to change the outlet, or use a different one. **Do not attempt to bypass this safety feature.**



CAUTION: TO PREVENT ELECTRIC SHOCK, MATCH WIDE BLADE OF PLUG TO WIDE SLOT, FULLY INSERT.

Main plug is used as the disconnect device, it shall remain readily operable and should not be obstructed during intended use. To be completely disconnected the apparatus from supply mains, the main plug of the apparatus shall be disconnected from the mains socket outlet completely.



WARNING: TO PREVENT FIRE OR ELECTRICAL SHOCK HAZARD, DO NOT EXPOSE THIS PRODUCT TO RAIN OR MOISTURE.

Technical Information

Product: Spacemaker
Brand: GE
Model: 7-5400

Electrical Consumption

Power Supply: 120V ~ 60Hz
Power Consumption: 72 Watts

IMPORTER

Comercializadora Thomson de México, S.A. de C.V.
Álvaro Obregón No. 151. Piso 13.
Col. Roma. Delegación Cuauhtémoc
C.P. 06700. México, D.F.
Telefono: 52-55-11-020360
RFC: CTM-980723-K55

For Your Records

In the event that service should be required, you may need the model number. In the space below, record the date and place of purchase:
Model No.
Date of Purchase
Place of Purchase

Service Information

This product should be serviced only by those specially trained in appropriate servicing techniques. For instructions on how to obtain service, refer to the warranty included in this Guide.

AUDIO AND COMMUNICATIONS DIVISION PLEASE READ AND SAVE THIS FOR FUTURE REFERENCE IMPORTANT SAFETY INSTRUCTIONS

- Some of the following information may not apply to your particular product; however, as with any electronic product, precautions should be observed during handling and use.
- Before using the product, please follow and adhere to all warnings, safety and operating instructions located on the product and in the user book. Save all instructions for future reference.
 - Do not expose product to rain and do not use near water; such as, sink, wet basement, swimming pools, etc.
 - Always leave sufficient space around the product for ventilation. Do not place product in or on a bed, rug, bookcase or cabinet that may prevent air flow through vent openings.
 - Do not expose product to extreme temperatures such as found near a hot radiator or stove, or in a car parked in the Summer sun.
 - Connect power cord only to AC power source as marked on the product.
 - Some products employ a polarized AC line plug (one blade is wider). This is a safety feature. The plug will go in the power outlet only one way. If the plug doesn't go into the outlet completely, turn the plug over and put it in the other way. If it still doesn't fit, contact a qualified electrician to change the outlet. Do not defeat the safety purpose of the polarized plug.
 - Route power cord to prevent it from being pinched, or walked on, or melted by a hot stove or radiator.
 - To clean cabinet, unplug AC power cord, then use a soft cloth dampened only with water.
 - Do not place lighted candles, cigarettes, cigars, etc. on the product.
 - Unplug AC power cord from outlet during a lightning storm or when product is left unused for a long period of time to prevent damage due to lightning or power line surges.
 - Care should be taken so that objects do not fall and liquids do not spill into the product.

- Never add accessories that the product has not been designed to accommodate.
- Use only the manufacturer's approved mounting instructions and hardware when installing product.
- Do not attempt to disassemble the cabinet. This product does not contain customer serviceable components.
- Do not handle the unit or power cord when your hands are wet or damp
- Damage Requiring Service—This product should be serviced by qualified service personnel when:
 - A. The power supply cord or the plug has been damaged; or
 - B. Objects have fallen, or liquid has been spilled into the product; or
 - C. The product has been exposed to rain; or
 - D. The product does not appear to operate normally or exhibits a marked change in performance; or
 - E. The product has been dropped, or the cabinet damaged.
- When service or repairs are completed, ask the service technician to perform the safety check described in the service manual and to confirm that replacement parts have the same safety characteristics as the original parts.
- **IF YOUR PRODUCT OPERATES ON BATTERIES**, adhere to the following precautions:
 - A. Any battery may leak electrolyte if mixed with a different battery type, if inserted incorrectly, or if all batteries are not replaced at the same time.
 - B. Any battery may leak electrolyte or explode if disposed of in fire or an attempt is made to charge a battery not intended to be recharged.
 - C. Discard leaky batteries immediately. Leaking batteries can cause skin burns or other personal injury. When discarding batteries, be sure to dispose of them in the proper manner, according to provincial and local regulations.

Table of Contents

FCC Information	11	Selecting Radio/TV Band	11
Table of Contents	1	Tuning to a Channel	11
First Things First	2	Automatic Channel Search	12
Tools Required	2	Radio Frequency Memory	12
Parts Packed with Your Unit	2	Memory Recall	12
Before Mounting	2	RBDS (Radio Broadcast Data System)	12
Mounting Procedure	3	Program Type Search	12
Getting Started	6	TV Band	13
Automatic Time Set	6	Weather Band	13
Selecting Time Zone	6	CD Player	14
Daylight Saving Time (DST)	6	Selecting CD Player	14
U.S. Time Zone (Figure 1)	7	Loading CD Disc	14
Canadian Time Zone (Figure 2)	7	Play and Pause Playback	14
Battery Backup Operation	8	Skip and Search Tracks	14
Installing Backup Battery	8	End Playback	14
General Controls	9	Repeat and Random Playback	14
Main Unit	9	Listening to External mp3 Player	14
Side Views	9	Weather Forecast	15
In Battery Compartment	9	Thermometer	15
The Remote Control	10	Using the Countertop Light	17
Display	10	Replacing the Bulb	17
Clock & Timer	11	Troubleshooting Tips	17
Setting the Time	11	Care and Maintenance	18
Setting the Countdown Timer	11	Limited Warranty	19
Radio	11		
Built-In AFC	11		
Antennas	11		
Turning On the Radio	11		
Turning Off the Radio	11		

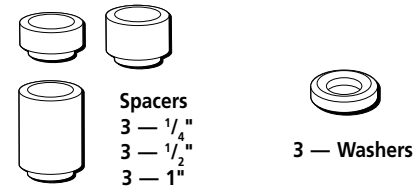
First Things First

Under Cabinet Mounting Instructions

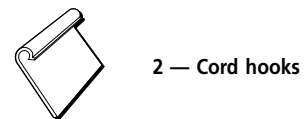
Tools Required

- Drill and $\frac{1}{4}$ " Drill Bit
- Ruler or Tape Measure
- Nail or Awl
- Scissors
- Screwdriver - Phillips
- Countersink (Optional)
- Masking Tape
- Safety Glasses

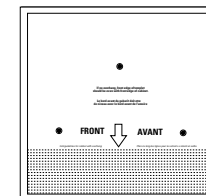
Parts Packed with your Unit



USE:
 3 — $2\frac{3}{4}$ " Phillips head screws
 or
 3 — $1\frac{5}{8}$ " Phillips head screws



1 — Mounting template



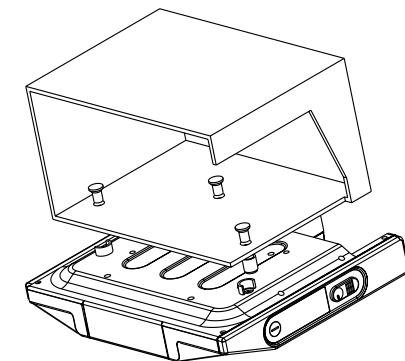
Before Mounting

Empty contents of the selected cabinet under which the unit will be mounted and thoroughly clean the underside of the cabinet to remove any grease residue which might be present.

We recommend the unit be mounted at the front edge of the cabinet.

Important: For secure mounting, the screws must go into the radio to a depth of at least $\frac{3}{8}$ ". If the overall length from the bottom of the cabinet shelf to the bottom of the overhang is more than $1\frac{3}{4}$ ", then a wood shim will be necessary. A shim can be made from a sheet of plywood, using the Template to locate the central lines for drilling the $\frac{1}{4}$ " mounting holes. The shim can be located between the cabinet shelf bottom and spacers. Make sure the wood is at least as thick as the excess over $1\frac{3}{4}$ ". If a shim is necessary, longer screws are required. Longer screws (Type #10-32) are available at most local hardware stores.

Cut out the Template on the line indicated. The Template size and screw hole positions are identical to the top of the clock radio.

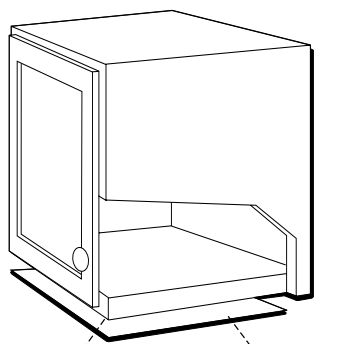


First Things First

Mounting Procedure

1. If your cabinet does not have an overhang:

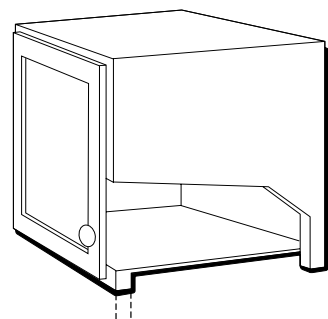
- Position Template in desired location on underside of cabinet, flush with front edge.
- Then tape Template in place, and go to Step 2.



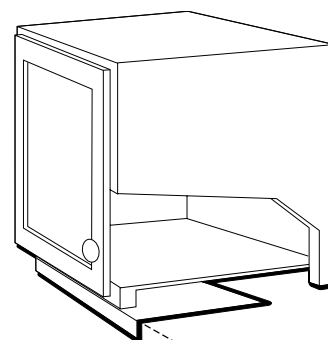
FRONT EDGE OF CABINET MOUNTING TEMPLATE

If your cabinet has an overhang:

- Measure the thickness of the overhang.
- Fold front of Template downward along the printed guideline that is closest to the thickness of your cabinet.
- Tape fold-down portion to backside of overhang, Tape Template to cabinet underside.



MEASURE THICKNESS OF CABINET OVERHANG



FOLD TEMPLATE ON DOTTED LINE



Note:

If your cabinet has glue blocks or other obstructions, cut out corresponding areas on the Template to clear them. Do not cut out or cut through the screw holes indicated on the Template.



Note:

It is recommended that safety glasses be worn while drilling screw holes to prevent the possibility of eye injury.

- Drill $\frac{1}{4}$ -inch diameter holes through the underside of the cabinet bottom shelf using the 3 points marked on the Template.



Tips:

On wooden cabinets you may want to mark and start the drill holes with a nail or an awl.

Be sure to hold the drill very firmly against the cabinet to reduce "walking" of the drill bit from the markings.

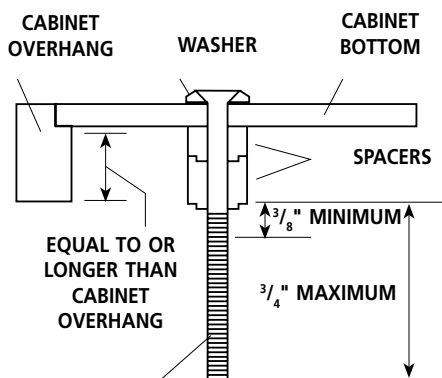
Use masking tape above the hole locations on inside of wooden cabinet shelf to help reduce splintering.

If installing the unit under a wood cabinet, you may wish to countersink the drilled hole from the INSIDE of the cabinet if a countersink attachment for your drill is available. This will eliminate the use of washers and allow the screw heads to be flush with the floor of your cabinet. If you cannot countersink the holes, use the supplied washers.

- Remove Template and clean drill shavings from inside and underside of cabinet.
- If your cabinet does not have an overhang**, go to Step 5.
If your cabinet has an overhang, select the spacer or combination of spacers that is equal to or longer than the cabinet overhang.

First Things First

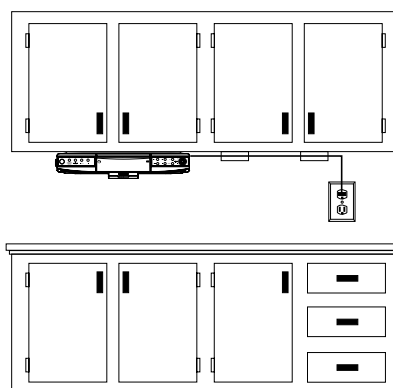
EN



SELECTED SCREWS WHICH MEET MINIMUM, BUT DO NOT EXCEED MAXIMUM LENGTH.

5. Insert screws FROM INSIDE THE CABINET. The washers must be used on metal cabinets, and on wood cabinets if you did not countersink the drilled holes. Position washers, flat side down, and place screws into the holes.
If your cabinet does not have an overhang, go to Step 7.
6. Hold screw heads down while you push the selected spacers onto the screws under the cabinet. Be sure to push up spacers until they are firmly against the cabinet bottom and/or fully nested (if more than one is used).
7. Align radio under the screws. Hold the screw holes in the top of the clock radio against the mounting screws and partially tighten the screws.
Do not fully tighten until all 3 screws have been started. (The top front edge of the clock radio should clear the overhang.)

8. Extend cord towards electrical outlet and secure by using the Cord Hooks to hold cord out of the way. For most attractive appearance, place Cord Hooks at back edge of cabinet (on or next to wall) directly over outlet to be used. To attach Cord Hooks, peel off adhesive back and attach to a clean, dry surface on underside of cabinet or back wall. Plug Cord into 120-volt AC electrical outlet. We recommend that the line cord be fully extended for best FM reception.



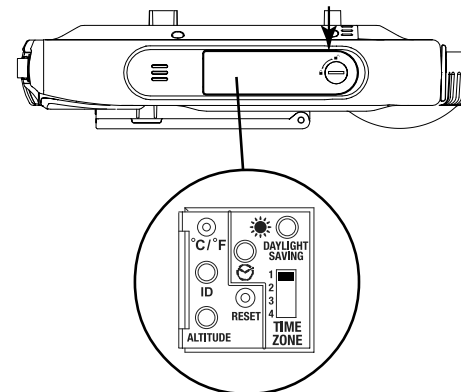
Getting Started

Automatic Time Set

Selecting Time Zone

The Time Zone switch is located in the battery compartment on the side of the unit.

Open the compartment door by rotating the lock in the direction of the arrow.



TIME ZONE - Slide the switch to select time zone.

Refer to Figure 1 for U.S. Time Zone details. Refer to Figure 2 for Canadian Time Zone details.

- Select 1 for Eastern Daylight Time
- Select 2 for Central Daylight Time
- Select 3 for Mountain Daylight Time
- Select 4 for Pacific Daylight Time

Daylight Saving Time (DST)

After selecting time zone and plugging in your unit, daylight saving time must be activated for those areas observing such change.

The daylight saving button is located in the battery compartment on the side of the unit. Press and hold the DAYLIGHT SAVING button until the icon lights on the display.

To disable daylight saving time, press and hold again until the icon no longer lights.



Warning:

Please avoid playing with these buttons after entering the Clock set mode.



Note:

°C/°F, ID and RESET- refer to Thermometer function.

ALTITUDE - refer to Weather Forecast function.

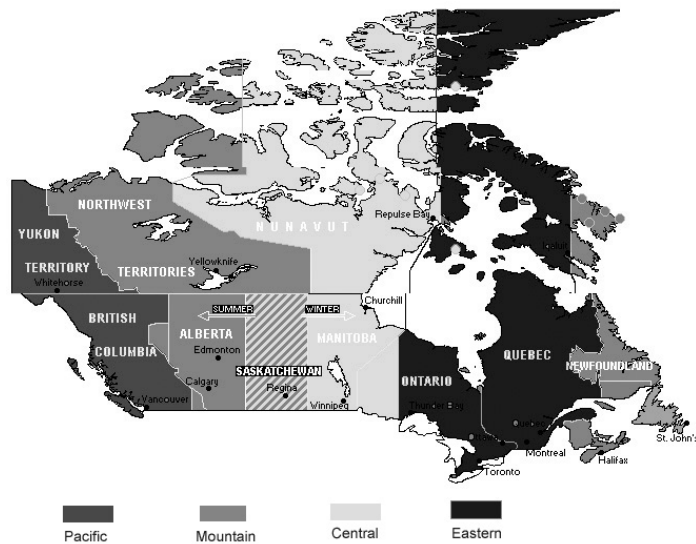
- refer to Clock & Timer.

Getting Started

U.S. Time Zone (Figure 1)



Canadian Time Zone (Figure 2)



Battery Backup Operation

This clock radio is equipped with a memory holding system that can be powered with 2 "AAA" batteries (included and installed). The power failure protection circuit will not operate unless battery is installed.

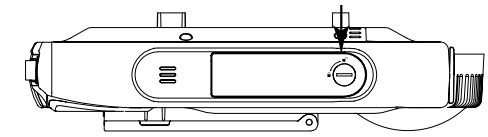
When normal household power is interrupted, or AC line cord is unplugged, the batteries will power the Spacemaker to keep track of time and timer setting programmed into memory. When the battery backup functions, the digital display will not light. Normal operation will resume after AC power is restored so you will not have to reset the time.


Power Failure Indicator


The display blinks when AC power is interrupted for more than 2 seconds. You need to reset the clock time to stop the display from blink.

Installing Back up Battery:

1. The compartment door is located at the side of the Spacemaker.



Rotate the lock in the direction of the  icon until it is released. Remove the compartment door.

2. Before inserting the batteries, observe the polarities (that is, + and -) of the batteries, then relate the polarities to the engraved diagram inside the battery compartment. Now insert the batteries.
3. Replace the battery compartment door. Lock the door in place by pushing down on the lock and rotating it in the opposite direction  (counterclockwise).



Note:

It is advised that the batteries be replaced every 3 years.

Clock & Timer

Setting the Time

The time display has a 12-hour format with AM and PM indicator. To set the time:

1. Press (inside battery compartment) to enter time setting mode. The clock will appear on the display.
2. To set clock time, use the / buttons to select the correct time. Press and hold to fast reverse or fast forward clock time.
3. Press again to save clock time. The clock icon will turn off.



Tips:

In standby mode, press / to show the seconds counter.

Setting the Countdown Timer

1. Press **VOLUME/TIMER** to enter timer setting mode. The **TIMER** icon will flash on the display.
2. To select countdown time, rotate **VOLUME/TIMER** knob to select the countdown time from 00:01 to 59:59 (default: 01:00). The background light of **VOLUME/TIMER** will change to green during adjustment.
3. Press **VOLUME/TIMER** again to activate the timer. The unit will beep twice to indicate countdown has started. Remaining time shows on the display. The **TIMER** icon will remain lit during countdown.
4. Press **VOLUME/TIMER** to turn timer off at any time or after it has sounded.



Note:

The radio or CD player is muted when alarm turns on.

Radio

Built-In AFC

The Built-In Automatic Frequency Control (AFC) works only on FM. It helps to reduce drift on FM reception and to keep the radio locked in on the FM station to which it is tuned.

Antennas

AM Antenna - A built-in ferrite rod antenna eliminates the need for an outside antenna for AM reception. Rotating the unit slightly may improve reception of distant AM stations.

FM Antenna - The power cord acts as your FM antenna. The power cord picks up moderate to strong stations and eliminates the need for an external antenna in most strong signal areas. Be sure the power cord is stretched out to its full length. Do not coil or bunch the cord together. Changing position of the power cord may improve reception.

Turning on the Radio

Press **RADIO ON / BAND** (or **RADIO** on remote control) to turn on the radio.

Turning off the unit

Press **OFF** (or on remote control) to turn off the radio.

Selecting Radio Band

Press **RADIO ON / BAND** (or **RADIO** on remote control) to select among FM, AM, TV and Wx bands.

Tuning to a Channel

Press to tune down radio frequency or select the previous TV channel.

Press to tune up radio frequency or select the next TV channel.

Automatic Channel Search

Press and hold or for more than 1 second and release to start automatic channel search in the direction selected.

Search will stop once a channel is found. Press or to quit automatic channel search.

Radio Frequency Memory

1. Follow steps in "Selecting Radio Band" and "Tuning to a Channel" to tune to the station you want to store into memory.
2. Press **SET** to assign a memory location to the selected station. "P" will flash with the next available memory location light on the display. If you wish to assign another memory location or overwrite a previously set memory, press **PRESET** to select a memory location.
3. Press **SET** again to confirm selection.

Memory Recall

Press **PRESET** (or **PRESET +/-** on the remote control) to recall preset stations.



Tips: A Maximum of 10 preset memory locations are available. "P--" shows on the display to indicate all memory locations are occupied. Nevertheless, you can still overwrite occupied locations by using **PRESET** (or **PRESET +/-** on the remote control).

RBDS (Radio Broadcast Data System)

The unit can support radio broadcast data system reception and display RBDS information in FM radio mode. Available information depend on individual radio channel. The RBDS icon lights on the display when data received.

Press **DISPLAY** to cycle among RBDS information whenever available: FM frequency, program service name (PS), program type (PTY) and radio text (RT). RBDS icons (PS, PTY and RT) light on the display indicating the nature of information received.

Program Type Search

This function lets you search for a particular type of radio program among all RBDS radio channels.

1. Press **DISPLAY** until program type (PTY) information show on the display.
2. Press once to enter program type search mode with program type flashing on the display.
3. Press repeatedly to cycle among all program types available (e.g. news, sports, classic).
4. Press or to start backward or forward search through the radio frequencies for the particular type of program you have chosen. Radio is muted during the search.



Tips: During program type search, the unit will search through the whole radio frequency range for the selected program type. If the search fails, the radio will return to the station previously being listened.

Radio

TV Band

CH 2-13 are available for TV Band.

The channel number lights on the display when TV band is selected.

EN

TV Band

CH 2	59.75 MHz
CH 3	65.75 MHz
CH 4	71.75 MHz
CH 5	81.75 MHz
CH 6	87.75 MHz
CH 7	179.75 MHz
CH 8	185.75 MHz
CH 9	191.75 MHz
CH 10	197.75 MHz
CH 11	203.75 MHz
CH 12	209.75 MHz
CH 13	215.75 MHz



Important: The listening range of NOAA weather stations varies from 10 miles up to a maximum of 40 miles from the station's transmitter. In some areas of the United States, weather transmissions cannot be monitored. The effective range of this radio will have side variations due to the height of the local transmitting antenna, atmospheric conditions, and the terrain between the transmitter and your radio's location.

Weather Band

Weather information is given continuously from U.S. Government Weather Stations on frequencies from 162.400MHz to 162.550MHz.

Weather Band

CH 1	162.550 MHz
CH 2	162.400 MHz
CH 3	162.475 MHz
CH 4	162.425 MHz
CH 5	162.450 MHz
CH 6	162.500 MHz
CH 7	162.525 MHz

The Weather transmission, broadcast 24 hours a day, are taped messages that are repeated every 4 to 6 minutes and revised and updated as needed to match the changing weather conditions. For additional information, check your location office of the National Weather Service (Department of Commerce).

CD Player

Loading CD Disc

1. Press to open the disc tray.
2. Insert CD disc with label side facing up.
3. Press again to close the disc tray.

Play and Pause Playback

Press to start playback.

Press again to pause. The track number will flash when in pause mode.

Press again to resume.



Note:

- "READING" flashes on the display while CD is being read.
- If no disc is in the disc compartment "NO DISC" shows on the display.

Skip and Search Tracks

Press to go to the previous track.

Press and hold to quick search backwards through a track.

Press to go to the next track.

Press and hold to quick search forward through a track.

End Playback

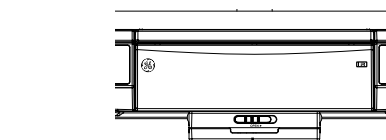
Press to end playback.

Repeat and Random Playback

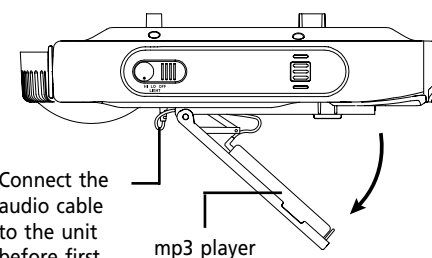
Press **DISPLAY** on the remote control repeatedly to select among playback modes.

- Repeat track
- Repeat disc
- Random playback
- Repeating all tracks on the disc in random order

Listening to External mp3 Player



External mp3 player holder



Connect the audio cable to the unit before first use

mp3 player

An external mp3 player holder is located at the bottom of the unit. You can connect your mp3 player and play music through the unit.

1. Slide the lock to the right to open the holder.
2. Connect the audio cable to your mp3 player and let the player rest on the holder.
 - You also need to connect the audio cable behind the holder to the unit before first use.
3. Turn on the mp3 player and press **MP3 AUDIO IN** to listen to it.
4. Adjust the mp3 player to mid-range volume and adjust the master volume by rotating **VOLUME/TIMER** knob on the unit. Do not turn the volume of the mp3 player too high as this may affect the sound quality. For other playback operators, control them on your mp3 player.

Weather Forecast

By analysing air pressure, humidity and outdoor temperature, the unit can forecast weather conditions and displays as below:

EN



Sunny



Slightly cloudy



Cloudy



Rainy



Snowy

Note: Snowy condition can be forecast only if the digital thermometer is used to monitor the outdoor temperature.

To be able to forecast weather accurately, you need to adjust an off-set value according to your current altitude as air pressure changes with it. Press **ALTITUDE** (in the battery compartment) to select one of the off-set levels (00, 13, 25, 38, 50, 63) that matches with your location (see table below). Your selected off-set level will show on the right of the display temporarily.

Above sea level	Off-set level
Less than 100m (328ft)	00 (default)
100m (328ft)	13
200m (656ft)	25
300m (984ft)	38
400m (1312ft)	50
500m (1640ft) or higher	63

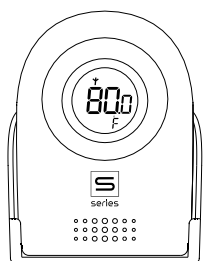


Note: Since there is no previous weather information when using the unit for the first time, the display will show cloudy only. The unit may take over one hour to obtain sufficient information for weather forecast as changes in air pressure is slow.

Thermometer

Indoor Temperature

The main unit has an internal thermometer that shows the current room temperature on the right of the display indicated by "IN".



Outdoor Temperature

A separate digital thermometer is included which can remotely transmit temperature information to the main unit and shows on the right of the display indicated by "OUT".

Install 2 "AAA" batteries (not included) in the thermometer.

1. Unscrew at the battery compartment to open the door.
2. Install two "AAA" batteries by referring to the indications in the compartment.
3. Replace the battery compartment door of the thermometer and secure closing with the screw.

Once the main unit is plugged for power, it can automatically synchronize with the digital thermometer (with batteries installed) to show the temperature. You do not need to do anything.

However, if you find abnormal temperature display on the main unit, you may synchronize the temperature manually by following the steps below:

1. **At the main unit:** press and hold **ID** (in the battery compartment) until the temperature display "- -" on the right of the display starts scrolling.
2. **At the digital thermometer:** Unscrew at the battery compartment to open the door. Press and hold **ID** inside the battery compartment until the antenna icon on the display of the thermometer flashes. Synchronization starts automatically and should be finished within several seconds.
 - When synchronization succeeds, the antenna icon stops flashing and the synchronized temperature shows on the main unit.
3. If synchronization fails (no temperature shows on the main unit), perform step 2 again. If synchronization still fails after several attempts and the temperature display "- -" on the main unit stops scrolling and starts to flash, you have to perform both steps 1 and 2 again.

Line Out Temperature Sensor

If you are going to install the thermometer outdoor with extreme temperatures (below 14°F (-10°C)), the use of line out temperature sensor (included) is recommended to avoid battery failure. Insert the sensor connector to the receptor (below **ID** button) in the battery compartment. The sensor wire should be extended from battery compartment through the hole at the lower left of the door.

Placing thermometer

The digital thermometer can be fixed on walls with the included holder (screws not provided). If you are placing it outdoor, ensure that it does not get wet by rain and is not under direct sunlight.

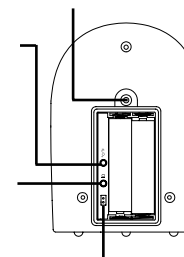
If you are using the line out temperature sensor, place the thermometer indoor and extend the sensor wire outside the window.

Back view with battery compartment door removed (batteries not included)

°C/°F - selects temperature scale shows on the display.

ID - performs temperature information synchronization with the main unit.

Battery door screw hole



Receptor for connecting the line out temperature sensor (included).



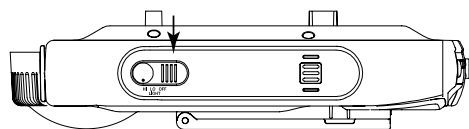
Tips:

- The thermometer sends the latest temperature information to the main unit every 35 seconds. There may be delay on the main unit to show the most updated temperature changes.
- When the outdoor temperature display is flashing on the main unit, there may be no signal receiving from the digital thermometer. Please make sure the batteries of the thermometer are not empty and the thermometer is not placed too far from the main unit and without obstacles between them.
- To reach stable temperature measurements the unit should be operated minimum 2 hours.
- Both the main unit and thermometer will show "LLL" if temperature is lower than -58°F (-50°C) and will show "HHH" if it is higher than 140°F (60°C).
- In case you see abnormal temperature display on the unit, you may want to reset the thermometer by pressing **RESET** (in the battery compartment) with a pin.

Using the Countertop Light

The countertop light switch is located on the side of the unit, and has three settings: HI, LO, and OFF.

EN



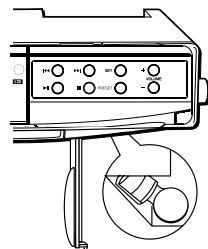
- For dimmer light, move the light switch to the LO position.
- For more illumination, switch to HI.
- To turn the light off, place Light switch to OFF.

Replacing the Bulb

1. Unplug the unit cord from the AC power outlet.
2. Unlatch the cover to open it.
3. Unscrew and remove the bulb.
4. Install the replacement bulb.
5. Swing the cover up and snap it in place.
6. Plug the cord into the AC outlet.



Caution: Use only appliance-type bulb with a maximum of 40-watt or equivalent for replacement. To prevent hazard, do not operate light without the cover.



Troubleshooting Tips

- *Is the unit plugged into a working AC outlet?*
Try plugging it into one that you know will work.
- *Is the unit on?*
Press **RADIO ON / BAND** or **PLAY/PAUSE** to turn the unit on.
- *Have you selected the correct function when pressing on the buttons?*
For example, if the unit is in CD mode and you try tuning to a particular radio frequency, the remote control is not going to look like it's working. In such cases, press **RADIO ON / BAND** to select radio or **PLAY/PAUSE** to select CD function first, then press on the buttons.
- *Are the batteries weak?*
Try replacing old batteries with some fresh ones.
- *Are you pointing the remote control directly at the unit while pressing the buttons?*
You should be, because the remote control sensor of the unit is at upper right of the display.
- *Are you too far from the unit when using the remote control?*
The remote control sensor can only sense signals (from the remote control) within a limited distance. So move closer towards the unit.
- *Are there any obstacles between the remote control and the unit?*
If there are, move all objects standing in the way between the remote control and the unit.

Care and Maintenance

Precautions

- Never open the cabinet under any circumstances. Any repairs or internal adjustments should be made only by a trained technician.
- Warning: Never operate this product with the cabinet removed.
- The CD player of this unit uses a laser to read the music on the disc. The laser mechanism corresponds to the cartridge and stylus of a record player. Although this product incorporates a laser pick-up lens, it is completely safe when operated according to directions.
- Discs rotate at high speed inside the player. Do not use damaged, warped or cracked discs.
- Do not touch the pick-up lens which is located inside the disc compartment. Also, to keep dust from collecting on the pick-up lens, do not leave the compartment door open for an extended period of time.
- The apparatus shall not be exposed to dripping or splashing and that no objects filled with liquids, such as vases, shall be placed on the apparatus.
- No naked flame sources, such as lighted candles, should be placed on the apparatus.
- Attention should be drawn to the environmental aspects of battery disposal.

Cleaning the Exterior

Prior to cleaning the exterior, be sure to unplug the power cord from the AC power outlet. Wipe the exterior with a soft, clean, and slightly water-dampened cloth.

The descriptions and characteristics in this owner's manual are for the purpose of general reference only and not as a guarantee. In order to provide you with the highest quality product, we may make changes or modifications without prior notice. The English version serves as the final reference on all product and operational details should any discrepancies arise in other languages.

Handling Compact Discs

- Do not touch the signal surfaces. Hold by the edges, or by one edge and the hole.
- Do not affix labels or adhesive tape to the label surfaces. Also, do not scratch or damage the label.
- Discs rotate at high speeds inside the player. Do not use damaged (cracked or warped) discs.

Cleaning Compact Discs

- Dirty discs can cause poor sound quality. Always keep discs clean by wiping them gently with a soft cloth from the inner edge toward the outer perimeter.
- If a disc becomes dirty, wet a soft cloth in water, wring it out well, wipe the dirt away gently, and then remove any water drops with a dry cloth.
- Do not use record cleaning sprays or anti-static agents on discs. Also, never clean discs with benzene, thinner, or other volatile solvents which may cause damage to the disc surface.

CD Lens Care

When your CD lens gets dirty it can also cause the unit to output poor sound quality. To clean the lens you will need to purchase a CD lens cleaner which can maintain the output sound quality. For instructions on cleaning the CD lens, refer to the ones accompanying the lens care.

EN

U.S. Limited Warranty

What your warranty covers:

- Defects in materials or workmanship.

EN For how long after your purchase:

- One year from date of purchase.
The warranty period for rental units begins with the first rental or 45 days from date of shipment to the rental firm, whichever comes first.

What we will do:

- Provide you with a new, or at our option, a refurbished unit. The exchange unit is under warranty for the remainder of the original product's warranty period.
- Proof of purchase in the form of a bill of sale or receipted invoice which is evidence that the product is within the warranty period must be presented to obtain warranty service. For rental firms, proof of first rental is also required.

How to make a warranty claim:

- Properly pack your unit. Include any cables, etc., which were originally provided with the product. We recommend using the original carton and packing materials.
- Include evidence of purchase date such as the bill of sale. Also print your name and address and a description of the defect. Send via standard UPS or its equivalent to:

Thomson Inc.

Product Exchange Center
11721 B Alameda Avenue
Socorro, Texas 79927

- Insure your shipment for loss or damage. Thomson accepts no liability in case of damage or loss en route to Thomson.
- Pay any charges billed to you by the Exchange Center for service not covered by the warranty.
- A new or refurbished unit will be shipped to you freight prepaid.

What your warranty does not cover:

- Customer instruction. (Your Owner's Manual provides information regarding operating Instructions and user controls. For additional information, ask your dealer.)
- Installation and set-up service adjustments.
- Batteries.

- Damage from misuse or neglect.
- Products which have been modified or incorporated into other products.
- Products purchased or serviced outside the USA.
- Acts of nature, such as but not limited to lightning damage.

Limitation of Warranty:

• THE WARRANTY STATED ABOVE IS THE ONLY WARRANTY APPLICABLE TO THIS PRODUCT. ALL OTHER WARRANTIES, EXPRESS OR IMPLIED (INCLUDING ALL IMPLIED WARRANTIES OF MERCHANTABILITY OR FITNESS FOR A PARTICULAR PURPOSE) ARE HEREBY DISCLAIMED. NO VERBAL OR WRITTEN INFORMATION GIVEN BY THOMSON INC., ITS AGENTS OR EMPLOYEES SHALL CREATE A WARRANTY OR IN ANY WAY INCREASE THE SCOPE OF THIS WARRANTY.

• REPAIR OR REPLACEMENT AS PROVIDED UNDER THIS WARRANTY IS THE EXCLUSIVE REMEDY OF THE CONSUMER. THOMSON INC. SHALL NOT BE LIABLE FOR INCIDENTAL OR CONSEQUENTIAL DAMAGES RESULTING FROM THE USE OF THIS PRODUCT OR ARISING OUT OF ANY BREACH OF ANY EXPRESS OR IMPLIED WARRANTY ON THIS PRODUCT. THIS DISCLAIMER OF WARRANTIES AND LIMITED WARRANTY ARE GOVERNED BY THE LAWS OF THE STATE OF INDIANA. EXCEPT TO THE EXTENT PROHIBITED BY APPLICABLE LAW, ANY IMPLIED WARRANTY OF MERCHANTABILITY OR FITNESS FOR A PARTICULAR PURPOSE ON THIS PRODUCT IS LIMITED TO THE APPLICABLE WARRANTY PERIOD SET FORTH ABOVE.

How state law relates to this warranty:

- Some states do not allow the exclusion nor limitation of incidental or consequential damages, or limitations on how long an implied warranty lasts, so the above limitations or exclusions may not apply to you.
- This warranty gives you specific legal rights, and you also may have other rights that vary from state to state.

If you purchased your product outside the USA:

- This warranty does not apply. Contact your dealer for warranty information.

Free Manuals Download Website

<http://myh66.com>

<http://usermanuals.us>

<http://www.somanuals.com>

<http://www.4manuals.cc>

<http://www.manual-lib.com>

<http://www.404manual.com>

<http://www.luxmanual.com>

<http://aubethermostatmanual.com>

Golf course search by state

<http://golfingnear.com>

Email search by domain

<http://emailbydomain.com>

Auto manuals search

<http://auto.somanuals.com>

TV manuals search

<http://tv.somanuals.com>