

Overview

With new wireless products from GE Security, smaller really is better. Highlighted by sleek new designs, the wireless family provides the modern look and feel you demand, with the same robust GE wireless capability you've come to expect.

Using the new GE Security DesignLine Door/Window Sensor, alarm systems can be easily installed and provide the highest level of intrusion protection available for a home or business. These sensors monitor doors, windows, cabinets, or anything that opens and closes.

Almost any building can be set up with a GE system because of the DesignLine Door/Window Sensor's small size and flexible mounting configurations.

The GE DesignLine Door/Window Sensor provides years of trouble-free operation because advanced circuit technology makes this sensor extremely efficient and reliable. The low current draw, coupled with a high-capacity lithium battery, means five to eight years between battery changes when sensors are used on low-traffic openings.

The wire-free nature of GE DesignLine Door/Window Sensors means: less installation cost; less installation damage from drilling holes and pulling wires; less time spent on premises for the installer; and less compromise to security due to the inflexibility of sensor location when using hardwire sensors.

Standard Features

- Low-profile design - Gives sleek modern look; fits in any home or business
- Wireless technology - Easier and less costly to install; safer because of flexible placement
- Advanced circuit technology - Supplies robust function with low current draw
- Compatible with all GE Security 319.5 MHz control panels and receivers
- Range - Functions at open-air distances of up to 500 ft.
- Battery operated - Runs on lithium coin cell battery with typical life of 5 years
- Tamper-resistant case - Inhibits tampering and improves security and durability
- External contact header allows connection of an external hardwire contact

DesignLine Slim Door/Window Sensor

Small, wireless design for the highest level of intrusion protection



North America
T (561) 998-6100
T 888-GE-SECURITY
888-(437-3287)
F 561 998 6224
E rs-bctinfo@ge.com

Asia
T 852-2907-8108
F 852-2142-5063

Australia
T 61-3-9259-4700
F 61-3-9259-4799

Canada
T 800-267-6317
F 613-737-5517

Europe
T 32-2-725-11-20
F 32-2-721-40-47

Latin America
T 305-593-4301
F 305-593-4300

www.gesecurity.com

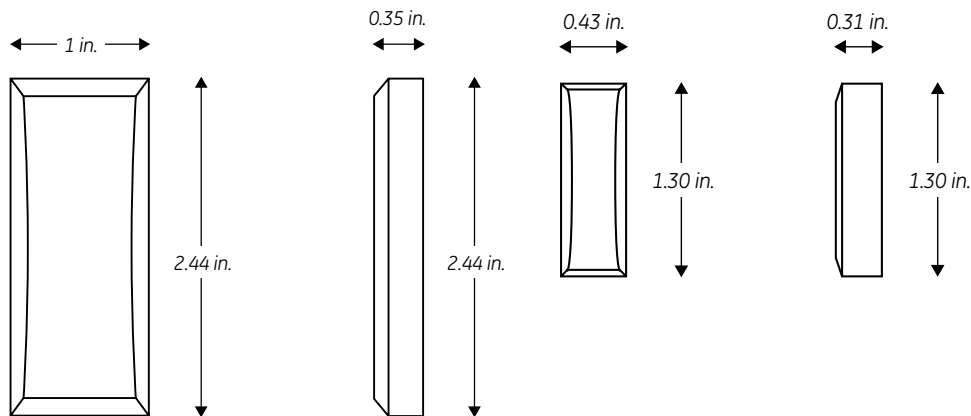
Specifications subject to
change without notice.

© 2007 General Electric Company
All Rights Reserved

Specifications

Battery	Panasonic CR2032, 3 VDC, 225 mAh, Lithium Coin Cell
Battery Life	5 years (typical)
Transmitter Frequency	319.508 MHz (crystal-controlled)
Transmitter Frequency Tolerance	+/- 8 kHz
Bandwidth	24 kHz
Modulation Type	Amplitude Shift Key (ASK)
Unique ID Codes	16 million
Peak Field Strength	Typical 30,000 uV/m @ 3m
External Input Sampling Current	20 uA
Magnetic Sensitivity of Reed Switch	10 to 20 amp turns
Reed Sensitivity	.38-in (.97-cm) gap
Magnet Type	Nd-Fe-B, N45
Sensor Dimensions (WxHxD)	1 in x 2.44 in x 0.35 in
Supervisory Interval	64 minutes
Operating Temperature	10 degrees F (-12 degrees C) to 120 degrees F (49 degrees C)
Enclosure	PC-540
Weight	0.55 oz (15g)
Magnet Dimensions (WxHxD)	0.43 in x 1.3 in x 0.31 in
Colors	White or brown
FCC Standard	FCC Part 15

Part Number	Description	Color
TX-1010-01-1	DesignLine Slim Door/Window Sensor	White
TX-1010-01-3	DesignLine Slim Door/Window Sensor	Brown



Free Manuals Download Website

<http://myh66.com>

<http://usermanuals.us>

<http://www.somanuals.com>

<http://www.4manuals.cc>

<http://www.manual-lib.com>

<http://www.404manual.com>

<http://www.luxmanual.com>

<http://aubethermostatmanual.com>

Golf course search by state

<http://golfingnear.com>

Email search by domain

<http://emailbydomain.com>

Auto manuals search

<http://auto.somanuals.com>

TV manuals search

<http://tv.somanuals.com>