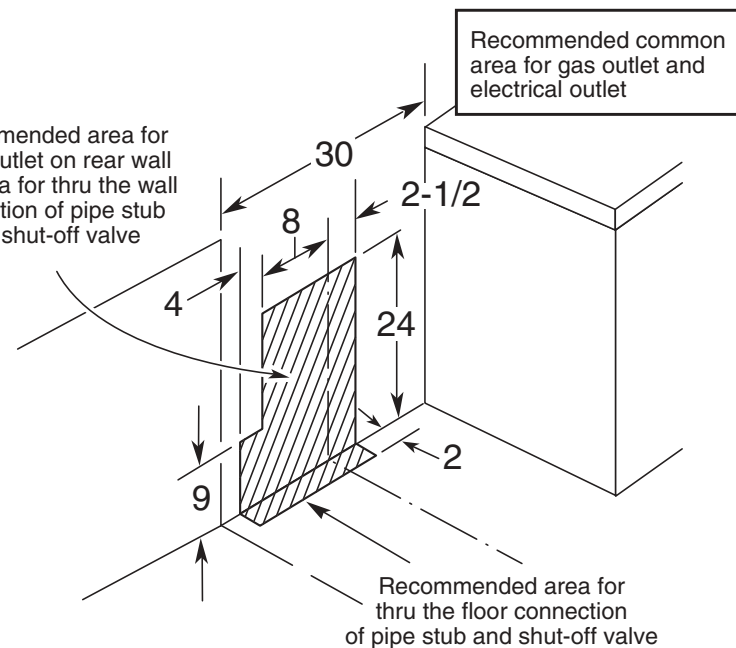
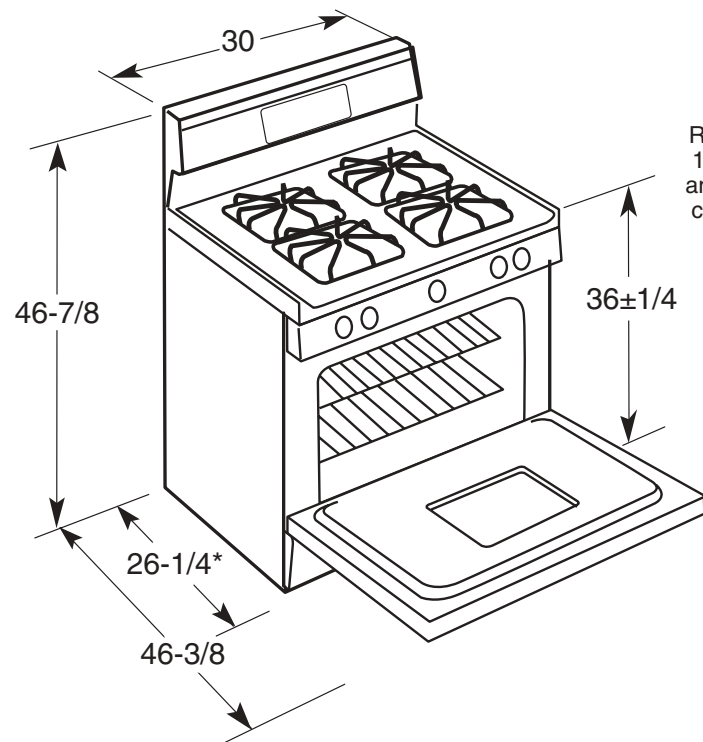




GE Appliances

## JGBC20BEH – GE® 30" Free-Standing Continuous Clean Gas Range

### Dimensions (in inches) and Installation Information



Factory set for Natural gas. A set of LP orifices is included with each range for LP conversion.

**Gas Self-Clean Range  
Anti-Tip Bracket  
(Part No. 205C1714P001)**

**Electrical Rating:** 120V, 60Hz, 5A

**Installation Information:** Before installing, consult installation instructions packed with product for current dimensional data.

\*Dimension from wall to front of closed door handle is 29"

Depth to front top edge of cooktop – 25-1/4"

Specification Created 6/03



All GE ranges are equipped with an Anti-Tip device. The installation of this device is an important, required step in the installation of the range.

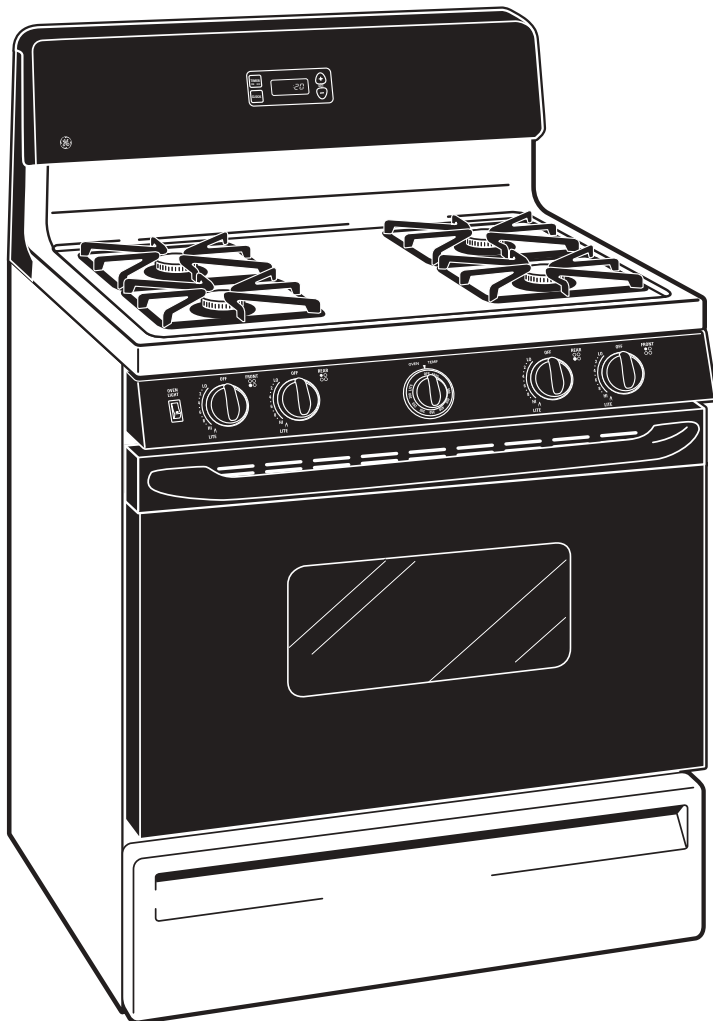


For answers to your Monogram®, GE Profile™ or GE® appliance questions, visit our website at [GEAppliances.com](http://GEAppliances.com) or call GE Answer Center® service, 800.626.2000.



**GE Appliances**

## **JGBC20BEH – GE® 30" Free-Standing Continuous Clean Gas Range**



### **Features and Benefits**

- Extra-Large Oven Capacity – Provides a large oven interior ideal for cooking more items at once.
- All Purpose Burners – Deliver a wide range of heat output ideal for most cooking requirements.
- Electronic Clock and Timer – Features a convenient digital clock and easy-to-use timer with an audible signal to help coordinate cooking times in the kitchen.
- Standard Grates – Provide a sturdy and convenient cookware surface for everyday cooking.
- Frameless Glass Oven Door – Offers an easy-to-clean and stylish design that blends seamlessly into existing cabinetry.
- ClearView™ Window – Features a convenient viewing area to check the progress of food.
- Two Oven Racks – Feature a durable construction to help accommodate any size or type of cookware.
- Model JGBC20WEHWW – White on white (white door and white cooktop)
- Model JGBC20CEHCC – Bisque on bisque (bisque door and bisque cooktop)
- Model JGBC20BEHWH – White (black door and white cooktop)
- Model JGBC20BEHCT – Bisque (black door and bisque cooktop)

**Specification Created 6/03**

## Free Manuals Download Website

<http://myh66.com>

<http://usermanuals.us>

<http://www.somanuals.com>

<http://www.4manuals.cc>

<http://www.manual-lib.com>

<http://www.404manual.com>

<http://www.luxmanual.com>

<http://aubethermostatmanual.com>

Golf course search by state

<http://golfingnear.com>

Email search by domain

<http://emailbydomain.com>

Auto manuals search

<http://auto.somanuals.com>

TV manuals search

<http://tv.somanuals.com>