

WJRR4170G

GE® 3.5 Cu. Ft. Capacity King-Size Washer with Stainless Steel Basket

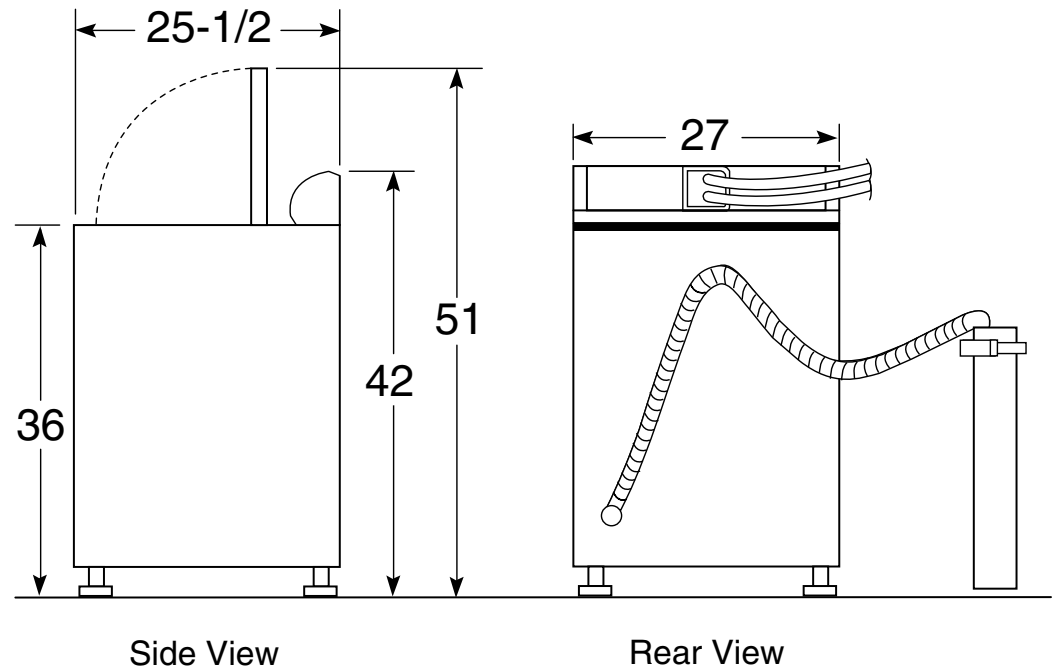
Dimensions and Installation Information (in inches)

Circuit Requirements: An individual, properly-grounded branch circuit, with a three-prong grounding-type receptacle, protected by a 15 or 20 amp circuit breaker or a time-delay fuse, is required.

Electrical Rating: 115V, 60Hz, 10A

Note: Washer wall outlet must be located within 36" of service code entry. Wall outlet must not be located behind dryer.

Installation Information: Before installing, consult installation instructions packed with product for current dimensional data.



For answers to your Monogram®, GE Profile™ or GE® appliance questions, visit our website at ge.com or call GE Answer Center® service, 800.626.2000.



Specification Created 10/06

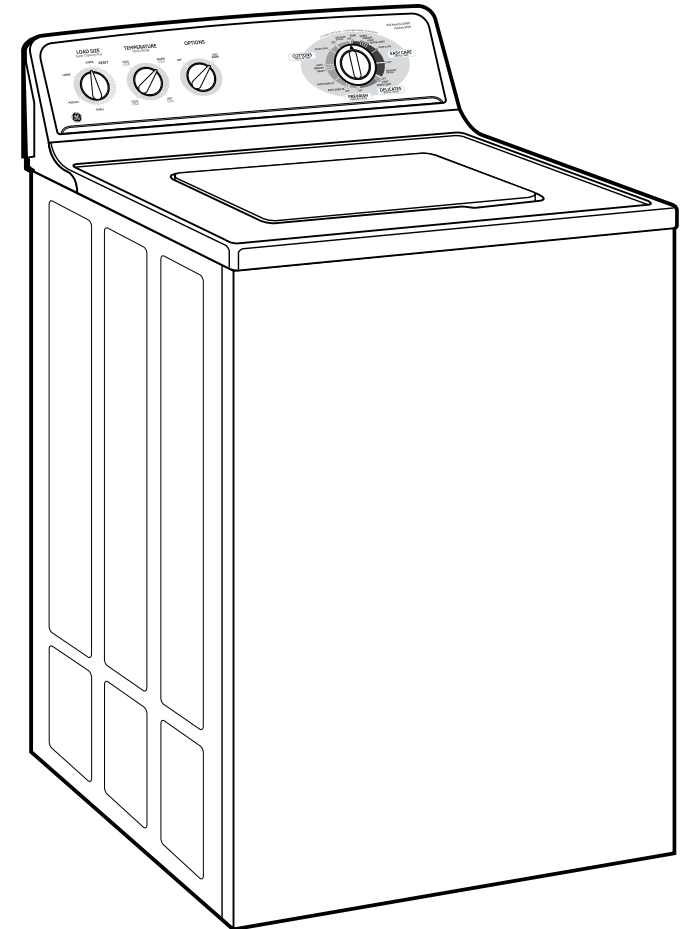
360178

WJRR4170G

GE® 3.5 Cu. Ft. Capacity King-Size Washer with Stainless Steel Basket

Features and Benefits

- King-size, 3.5 Cu. Ft. - stainless steel basket makes room for more items, which means less time doing laundry
- HydroWave™ Wash System - Has variable speeds to match the wash action to the clothing type. Longer, slower travel through the water improves cleaning performance and is gentler on your clothes
- Four Wash/Spin Speed Combinations - Speeds vary according to fabric type for better clothes care
- 17 Wash Cycles - A cycle for every laundry load and need
- Four Wash/Rinse Temperatures - Washer cleans at the exact temperature needed to remove dirt and reduce wear
- Four Water Levels - Offers water and energy savings
- Prewash Cycle - Allows clothing additional time to soak and agitate to help remove stubborn stains
- 2nd Rinse Option - Helps protect delicate fabrics and sensitive skin
- Auto Soak - Soaks dirty clothes for 15 or 30 minutes before the wash cycle, so there's no need for an extra cycle
- Model WJRR41700GWW – White on white



imagination at work

Free Manuals Download Website

<http://myh66.com>

<http://usermanuals.us>

<http://www.somanuals.com>

<http://www.4manuals.cc>

<http://www.manual-lib.com>

<http://www.404manual.com>

<http://www.luxmanual.com>

<http://aubethermostatmanual.com>

Golf course search by state

<http://golfingnear.com>

Email search by domain

<http://emailbydomain.com>

Auto manuals search

<http://auto.somanuals.com>

TV manuals search

<http://tv.somanuals.com>