

Model 29578 Desktop Speakerphone with Amplified Volume and Tone Control User's Guide



Equipment Approval Information

Your telephone equipment is approved for connection to the Public Switched Telephone Network and is in compliance with parts 15 and 68, FCC Rules and Regulations and the Technical Requirements for Telephone Terminal Equipment published by ACTA.

1 Notification to the Local Telephone Company

On the bottom of this equipment is a label indicating, among other information, the US number and Ringer Equivalence Number (REN) for the equipment. You must, upon request, provide this information to your telephone company.

The REN is useful in determining the number of devices you may connect to your telephone line and still have all of these devices ring when your telephone number is called. In most (but not all) areas, the sum of the RENs of all devices connected to one line should not exceed 5. To be certain of the number of devices you may connect to your line as determined by the REN, you should contact your local telephone company.

A plug and jack used to connect this equipment to the premises wiring and telephone network must comply with the applicable FCC Part 68 rules and requirements adopted by the ACTA. A compliant telephone cord and modular plug is provided with this product. It is designed to be connected to a compatible modular jack that is also compliant. See installation instructions for details.

Notes

- This equipment may not be used on coin service provided by the telephone company.
- Party lines are subject to state tariffs, and therefore, you may not be able to use your own telephone equipment if you are on a party line. Check with your local telephone company.

- Notice must be given to the telephone company upon permanent disconnection of your telephone from your line.
- If your home has specially wired alarm equipment connected to the telephone line, ensure the installation of this product does not disable your alarm equipment. If you have questions about what will disable alarm equipment, consult your telephone company or a qualified installer.

US Number is located on the cabinet bottom.

REN Number is located on the cabinet bottom.

2 Rights of the Telephone Company

Should your equipment cause trouble on your line which may harm the telephone network, the telephone company shall, where practicable, notify you that temporary discontinuance of service may be required. Where prior notice is not practicable and the circumstances warrant such action, the telephone company may temporarily discontinue service immediately. In case of such temporary discontinuance, the telephone company must: (1) promptly notify you of such temporary discontinuance; (2) afford you the opportunity to correct the situation; and (3) inform you of your right to bring a complaint to the Commission pursuant to procedures set forth in Subpart E of Part 68, FCC Rules and Regulations.

The telephone company may make changes in its communications facilities, equipment, operations or procedures where such action is required in the operation of its business and not inconsistent with FCC Rules and Regulations. If these changes are expected to affect the use or performance of your telephone equipment, the telephone company must give you adequate notice, in writing, to allow you to maintain uninterrupted service.

Interference Information

This device complies with Part 15 of the FCC Rules. Operation is subject to the following two conditions: (1) This device may not cause harmful interference; and (2) This device must accept any interference received, including interference that may cause undesired operation.

This equipment has been tested and found to comply with the limits for a Class B digital device, pursuant to Part 15 of the FCC Rules. These limits are designed to provide reasonable protection against harmful interference in a residential installation.

This equipment generates, uses, and can radiate radio frequency energy and, if not installed and used in accordance with the instructions, may cause harmful interference to radio communications. However, there is no guarantee that interference will not occur in a particular installation.

Privacy of Communications may not be ensured when using this product.

If this equipment does cause harmful interference to radio or television reception, which can be determined by turning the equipment off and on, the user is encouraged to try to correct the interference by one or more of the following measures:

- Reorient or relocate the receiving antenna (that is, the antenna for radio or television that is “receiving” the interference).
- Reorient or relocate and increase the separation between the telecommunications equipment and receiving antenna.
- Connect the telecommunications equipment into an outlet on a circuit different from that to which the receiving antenna is connected.

If these measures do not eliminate the interference, please consult your dealer or an experienced radio/television technician for additional suggestions. Also, the Federal Communications Commission has prepared a helpful booklet, "How To Identify and Resolve Radio/TV Interference Problems." This booklet is available from the U.S. Government Printing Office, Washington, D.C. 20402. Please specify stock number 004-000-00345-4 when ordering copies.

Notice: The changes or modifications not expressly approved by the party responsible for compliance could void the user's authority to operate the equipment.

Hearing Aid Compatibility (HAC)

This telephone system meets FCC standards for Hearing Aid Compatibility.

WARNING: TO PREVENT FIRE OR ELECTRICAL SHOCK HAZARD, DO NOT EXPOSE THIS PRODUCT TO RAIN OR MOISTURE.



| | | |
|---|--|---|
|  <p>THE LIGHTNING FLASH AND ARROW HEAD WITHIN THE TRIANGLE IS A WARNING SIGN ALERTING YOU OF "DANGEROUS VOLTAGE" INSIDE THE PRODUCT.</p> | <p>CAUTION: RISK OF ELECTRIC SHOCK DO NOT OPEN</p> <p>CAUTION: TO REDUCE THE RISK OF ELECTRIC SHOCK, DO NOT REMOVE COVER (OR BACK). NO USER SERVICEABLE PARTS INSIDE. REFER SERVICING TO QUALIFIED SERVICE PERSONNEL.</p> |  <p>THE EXCLAMATION POINT WITHIN THE TRIANGLE IS A WARNING SIGN ALERTING YOU OF IMPORTANT INSTRUCTIONS ACCOMPANYING THE PRODUCT.</p> |
| <p>SEE MARKING ON BOTTOM / BACK OF PRODUCT</p> | | |

Table of Contents

| | | |
|-------------------------------------|------------------------------------|-----------|
| EQUIPMENT APPROVAL | HANDSET | 17 |
| INFORMATION..... | SPEAKERPHONE..... | 18 |
| INTERFERENCE INFORMATION.... | VOLUME..... | 18 |
| HEARING AID COMPATIBILITY | AMPLIFIED AUDIO | 19 |
| (HAC) | TONE EQUALIZER | 20 |
| INTRODUCTION | NECKLOOP | 21 |
| BEFORE YOU BEGIN | MUTE..... | 21 |
| PARTS CHECKLIST | VIBRATING ALERT..... | 21 |
| TELEPHONE JACK | FLASH | 22 |
| REQUIREMENTS | REDIAL | 22 |
| INSTALLATION | MEMORY | 23 |
| IMPORTANT INSTALLATION | STORING A NUMBER IN | |
| GUIDELINES..... | MEMORY | 23 |
| BASE LAYOUT..... | ADDING A PAUSE TO THE | |
| BACK & SIDE VIEWS | DIALING SEQUENCE..... | 23 |
| INSTALLING THE PHONE..... | CHANGING A STORED | |
| INSTALLING BACKUP | NUMBER | 24 |
| BATTERIES | DIALING A NUMBER FROM | |
| CONNECTING THE TELEPHONE | MEMORY | 24 |
| LINE | DIALING THE EMERGENCY QUICK | |
| WALL MOUNTING..... | DIAL NUMBERS..... | 24 |
| TELEPHONE OPERATION | TROUBLESHOOTING GUIDE..... | 25 |
| SPEAKERPHONE..... | GENERAL PRODUCT CARE | 27 |
| PLACING A CALL..... | WARRANTY ASSISTANCE..... | 28 |
| HANDSET | LIMITED WARRANTY | 29 |
| SPEAKERPHONE..... | ACCESSORY INFORMATION | 33 |
| ANSWERING A CALL | INDEX | 34 |

Introduction



CAUTION: When using telephone equipment, there are basic safety instructions that should always be followed. Refer to the **IMPORTANT SAFETY INSTRUCTIONS** provided with this product and save them for future reference.

This phone is designed for those individuals with mild to severe hearing loss. The unit is designed to control the volume of the phone as well as the frequencies that best fit your hearing. It has three pitch control buttons allowing you to customize the phone to your preference. The equalizer is set at 600Hz, 1.2KHz and 2.4kHz.

The phone is designed with unique features to protect the hearing in your family. You will be able to switch between automatic and manual amplification modes to protect your hearing from being exposed to dangerous sound levels.

Please read this manual very carefully before using your 29578 and keep it for future reference. If you have any questions or problems, consult the Troubleshooting Tips for the solution.

Before You Begin

Parts Checklist

Make sure your package includes the items shown here.



Base



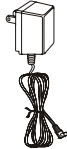
Handset



**Telephone
line cord**



**Vibrating
Alert**



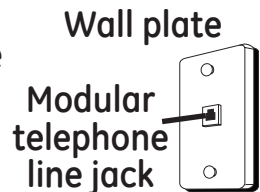
**Power
Adaptor**



**Handset
cord**

Telephone Jack Requirements

To use this phone, you need an RJ11C type modular telephone jack, which might look like the one pictured here, installed in your home. If you don't have a modular jack, call your local phone company to find out how to get one installed.

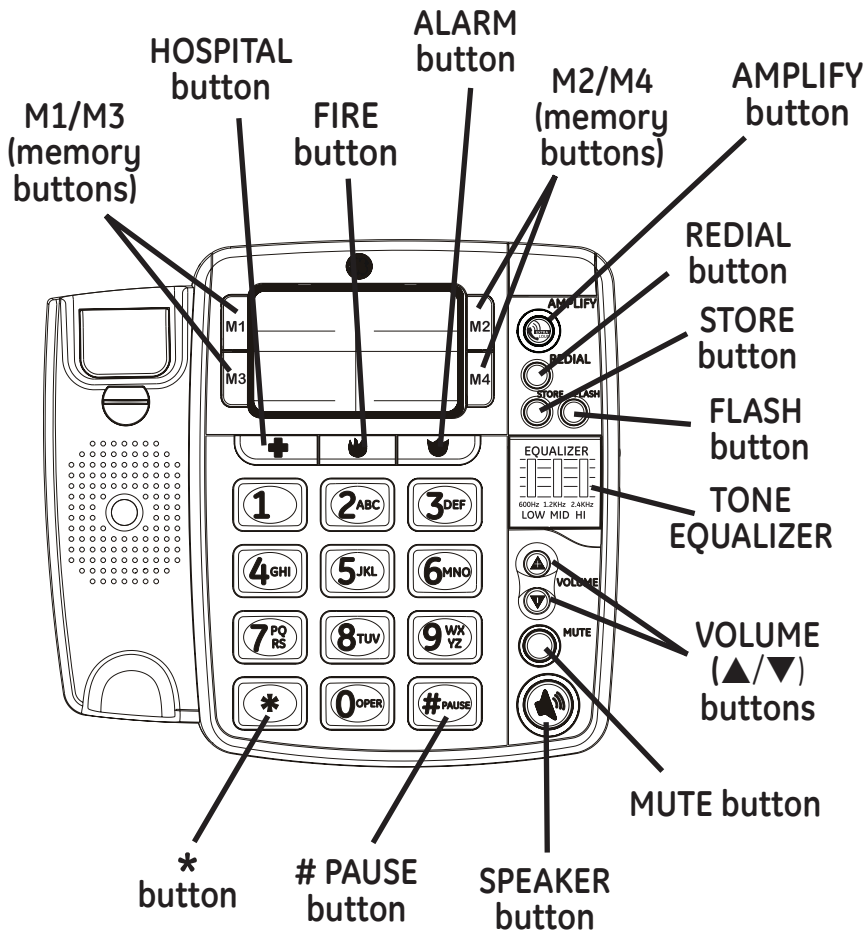


Installation

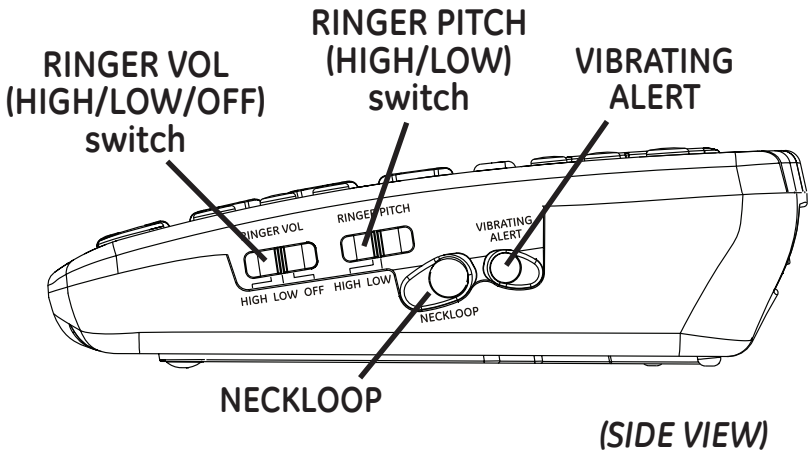
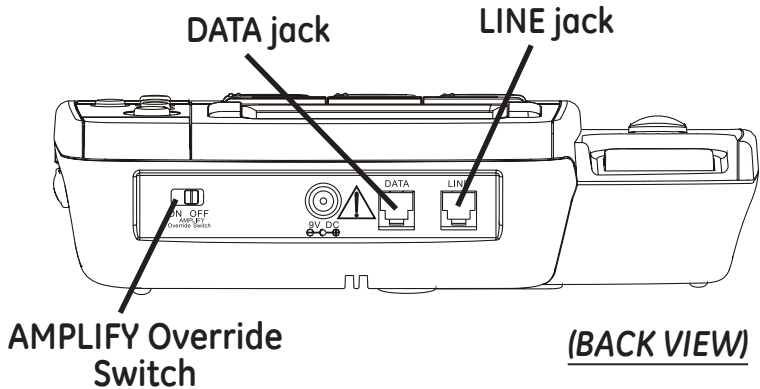
Important Installation Guidelines

- Avoid sources of noise and heat, such as motors, fluorescent lighting, microwave ovens, heating appliances and direct sunlight.
- Avoid areas of excessive dust, moisture and low temperature.
- Avoid other cordless telephones or personal computers.
- Never install telephone wiring during a lightning storm.
- Never install telephone jacks in wet locations unless the jack is specifically designed for wet locations.
- Never touch non-insulated telephone wires or terminals, unless the telephone line has been disconnected at the network interface.
- Use caution when installing or modifying telephone lines.

Base Layout



Back & Side Views



Installing the Phone

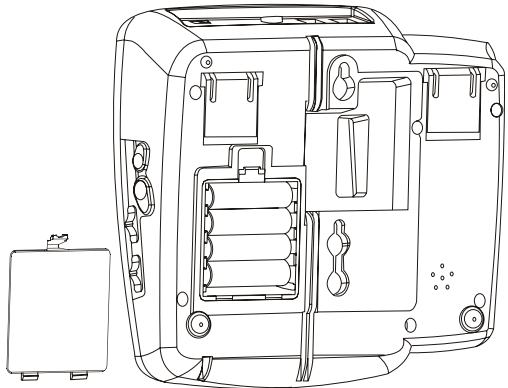
Installing Backup Batteries



CAUTION: Disconnect the phone cord from the wall outlet before installing or replacing the batteries.

In case of a power outage, the phone uses 4 AA alkaline batteries for backup power for incoming voice amplification and visual ringer functions.

1. Unplug the power adaptor and the telephone line before installing batteries.
2. Carefully turn over the phone, and release latch on battery compartment and remove cover.
3. Insert 4 AA-size alkaline batteries as shown on the diagram in the battery compartment.
4. Snap the battery compartment door back into place.
5. Re-attach the power adaptor and the telephone line cord to the unit .

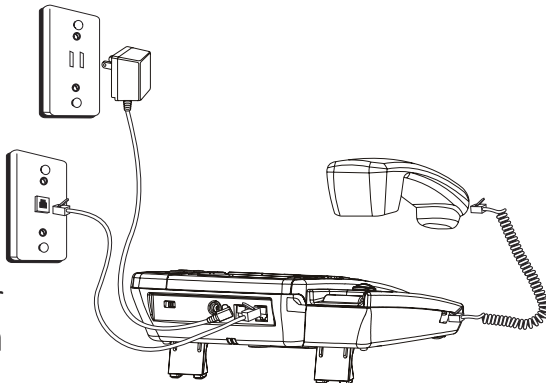


NOTE: Remove the batteries if storing the unit for over 30 days to prevent damage in the event of leaking batteries.

Connecting the Telephone Line

NOTE: The unit is shipped from the factory for placement on a level surface.

1. Choose an area near a telephone wall jack (RJ11C), and place your cordless telephone on a level surface, such as a desktop or tabletop, or you may mount it on the wall.
2. Plug one end of the telephone line cord into the Line jack at the back of the base and the other end into a modular jack.
3. If you have another device (example, an additional auxiliary phone or data modem) need to be connected to the unit, please connect it to the Data jack on the back of the unit.
4. Plug the AC power adaptor into the electrical outlet and the DC connector into the jack on the back of the base.





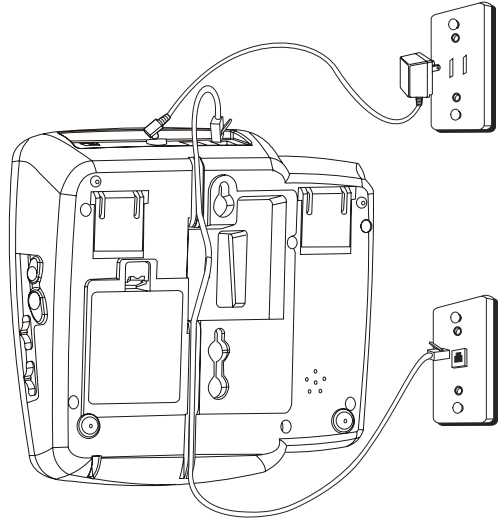
CAUTION: To reduce risk of personal injury, fire, or damage use only the 5-2784 power adaptor listed in the user's guide. This power adaptor is intended to be correctly orientated in a vertical or floor mount position.

5. You can stretch out the kick-stands on the bottom of the base for a better viewing angle when placed on desktop.
6. Connect one end of the coiled handset cord to the jack on the handset.
7. Plug the other end of the coiled handset cord to the jack on the base.
8. Make sure the DESK/WALL MOUNT tab is rotated to the DESK position and place the handset into the cradle.
9. Adjust the RINGER VOLUME switch to the desired setting: *HI, LOW or OFF.*

The unit is properly installed if you pick up the handset and hear the dial tone. If you don't hear a dial tone recheck all the installation steps.

Wall Mounting

1. Plug the AC power adaptor into the electrical outlet and the DC connector into the jack on the back of the base.
2. Plug one end of the straight telephone line cord into the jack on the bottom of the base.
3. Close the kick-stands on the bottom of the base unit if you've opened them before.
4. Feed the line cord through the groove and plug the end into the modular telephone jack. Excess telephone line can be stuffed into the recess area on the bottom of the Base Unit.
5. Slip the mounting holes (on the bottom of the base) over the wall plate posts and firmly slide the unit down into place.
6. Make sure the DESK/ WALL MOUNT tab is rotated to the WALL position.



Telephone Operation

Speakerphone

For hands-free operation and convenience, this unit is equipped with a speakerphone.

For best speakerphone performance, avoid the following:

- Areas with high background noise. (The microphone might pick up these sounds and prevent the speakerphone from going into the receiving mode when you finish talking.)
- Surfaces affected by vibration.
- Recessed areas such as in a corner, under a cupboard, or next to a cabinet, which can generate an echo effect.

Note the following guidelines when using the speakerphone:

- The speakerphone works similar to a two-way radio in that you can only listen or talk at one time.
- Stay reasonably close to the phone so that you can be clearly heard by the person to whom you are talking.
- You can adjust the speaker volume by adjusting the volume (▲ or ▼) buttons while speakerphone is in use.
- The speakerphone indicator comes on when the speakerphone is in use.

Placing a Call

Handset

1. Pick up the handset and listen for a dial tone.
2. Dial the number you want to call.
3. When finished, hang up the handset.

Speakerphone

1. Press the speaker button on the base and listen for a dial tone.
2. Dial the number you want to call.
3. When finished, press the speaker button to hang up.

Answering a Call

NOTE: Make sure the ringer switch is set to HI or LO, or the phone will not ring. The visual ring indicator will flash at all settings.

Handset

1. When the phone rings, pick up the handset.
2. When finished, hang up the handset.

Speakerphone

1. When the phone rings, press the speaker button to answer a call.
 2. When finished, press the speaker button to hang up.
- You may switch between the speakerphone and the handset during the dialing process or anytime during a conversation.

Speakerphone to Handset - Pick up the handset to disable the speakerphone. The speakerphone indicator turns off.

Handset to Speakerphone - Press the speaker button, and then hang up the handset. The speakerphone indicator turns on and the handset is disabled.

Volume

You can control the volume of both the handset receiver and the speakerphone.

While using the handset or speakerphone, you may adjust the volume to the desired listening level by using the volume (▲ or ▼) buttons. Handset volume has 4 levels for adjustment and Speaker volume has 8 levels.

Amplified Audio

You may press the amplify button to temporarily boost the volume of the handset receiver during a call. To return to normal levels, press the button again. Volume levels will also return to normal when handset is replaced on base after call. The “AMPLIFY” button controls the increased volume level and tone equalizer of the handset.

1. Press the volume (▲ or ▼) button to minimum, pick up the handset and press the amplify button to turn on the incoming voice amplifier . The indicator around the button illuminates.
2. Adjust the volume by pressing the volume (▲ or ▼) button. When the amplify button is pressed , an extra level of amplified volume is added providing up to 40dB of gain and level control. In standard use, the amplifier turns off whenever you hang up the telephone. If you want the amplifier to turn on whenever you pick up the handset , slide the Amplify Override switch located at the back of the unit to ON.

NOTE: AMPLIFY feature is possible in both Handset and Speaker Mode.



WARNING: This Product is designed for users with hearing disabilities and automatically amplifies the volume to the highest level when the Amplify Override switch is set to "ON". If you wish to prevent the automatic amplification, please turn the Amplify Override switch located on the back of the set to "OFF".

Tone Equalizer

The phone's 3-band tone equalizer boosts the sound of the three frequency ranges (600Hz, 1.2KHz, 2.4KHz) to compensate for the ear's limited sensitivity in these ranges.

1. To turn on the equalizer, press the "amplify" button after you pick up the handset, or any time during the a call. The indicator around the button illuminates.
2. To adjust the setting open the equalizer cover. Slide each switch toward "+" to increase or amplify sounds, or toward "-" to decrease the sound within that specific range.
3. To turn off the equalizer press the "amplify" button and the indicator light turns off.

Neckloop

The unit is also equipped with the 3.5mm Neckloop jack for an optional Neckloop device (to be purchased separately). When Neckloop device is plugged in, audio signal to Handset earpiece will be transferred to the Neckloop device. No output on Handset earpiece will be heard.

NOTE: Inserting the Neckloop device will not affect the behaviour of the Base Unit Speakerphone or the Handset microphone reception.

Mute

Use the mute button to interrupt a phone conversation to talk privately with someone else in the room . A conversation can be muted while using the speakerphone, handset or neckloop.

1. Press the mute button. The mute indicator illuminates.
2. Press mute again to turn it off.

Note: Switching from speakerphone to handset cancels mute.

Vibrating Alert

The unit is equipped with a 2.5mm vibrating alert jack for an optional vibrating pad to alert you when the phone is ringing. Simply plug the vibrating alert into the jack . When the phone rings, the pad will vibrate with each ring of the phone.

Flash

Press the flash button to activate customer calling services such as call waiting or call transfer, which are provided by your local phone company.

Redial

You may redial the last number you called by pressing the redial button after you get a dial tone.

NOTE: The Redial feature holds in memory the last phone number you dialed (as many as 32 digits). If you pressed any numbers after dialing the phone number, (for example, when accessing a voice-menu system) those numbers also are redialed.

Memory

Store as many as 7 numbers in memory for easy dialing. Three can be stored in the Emergency Quick Dial locations, and four in the one-touch memory on the top of the Base unit. You can use the space provided to **either write the name of your contacts or** stick pictures for easy recognition.

Storing a Number in Memory

1. Pick up the handset or press SPEAKER.
2. Press the STORE button.
3. Dial the number to be stored (up to 16 digits).
4. Press the STORE button.
5. Select and press any of the one-touch Memory Location buttons.
6. Hang up the phone or press the SPEAKER button.

Adding a Pause to the Dialing Sequence

Use the #pause button to insert a delay in the dialing sequence when storing a number, for example, when you need to dial 9 to get an outside line.

Pause function is enabled when the #pause button is pressed and held for 2 seconds.

Press and hold #pause button at the point in the dialing sequence in which a pause is required.

The pause time is approximately four seconds, if additional time is needed, press and hold the #pause button again.

Changing a Stored Number

Follow the same steps as “Storing a Number into Memory.” The new numbers will overwrite the existing numbers.

Dialing a Number from Memory

You can dial numbers from memory when using the handset or speakerphone. When you get a dial tone, press the one-touch memory button for the number you want to dial.

Dialing the Emergency Quick Dial Numbers

If you have previously programmed your Emergency Quick Dial numbers, you only need to press the button after you get a dial tone.

Troubleshooting Guide

No dial tone

- Check installation:
Make sure the telephone line cord is connected to the base unit and the wall phone jack.
 - Check the hook switch. Make sure it fully extends when the handset is lifted from the cradle.
 - You must have touch-tone service on your line to use this phone. If you do not know what type of service you have, check with the phone company.
 - Make sure speakerphone indicator comes on (if using speakerphone.)
 - Unplug the phone, wait 30 seconds, and plug the phone back in. Then lift the handset to check the dial tone.
 - Connect another phone to the same modular jack; if the second phone doesn't work, the problem might be with your wiring or local service.
 - Place the handset in the base for at least 20 seconds.
-

Phone doesn't ring

- Make sure ringer switch is set to LO or HI.
 - You may have too many extension phones on your line. Unplug some extension phones.
 - Check for a dial tone. If there is no dial tone, see solutions for "No dial tone."
-

Low handset or speaker volume

- Check the receiver or speaker volume settings.
-

Can't be heard by other party

- Make sure phone cord is securely plugged in.
 - Make sure extension phones are on the hook at the same time you're using the phone. It is normal for the volume to drop when additional extension phones are used at the same time.
-

Memory dialing

- Make sure you entered numbers correctly. (See "Memory.")
 - Make sure the telephone is properly installed. Pick up the handset and listen for the dial tone. If you don't hear the dial tone, recheck or repeat the installation steps.
-

General Product Care

To keep your telephone working and looking good, follow these guidelines:

- Avoid putting the phone near heating appliances and devices that generate electrical noise (for example, motors or fluorescent lamps).
- DO NOT expose to direct sunlight or moisture.
- Avoid dropping the unit and other rough treatment.
- Clean with a soft cloth.
- Never use a strong cleaning agent or abrasive powder because this will damage the finish.
- Retain the original packaging in case you need to ship the phone at a later date.

Warranty Assistance

If trouble is experienced with this equipment, for warranty information, please contact customer service at **1-800-448-0329**. If the equipment is causing harm to the telephone network, the telephone company may require that you disconnect the equipment until the problem is resolved.

Any unauthorized repairs, changes or modifications not expressly approved by Thomson Inc. could void the user's authority to operate this product. For instructions on how to obtain a replacement unit, refer to the warranty included in this guide or call customer service at **1-800-448-0329**.

Or refer inquiries to:

Thomson Inc.
Manager, Consumer Relations
P O Box 1976
Indianapolis, IN 46206

Attach your sales receipt to this booklet for future reference or jot down the date this product was purchased or received as a gift. This information will be valuable if service should be required during the warranty period.

Purchase Date _____

Name of Store _____

Limited Warranty

What your warranty covers:

- Defects in materials or workmanship.

For how long after your purchase:

- Two year, from date of purchase.
(The warranty period for rental units begins with the first rental or 45 days from date of shipment to the rental firm, whichever comes first.)

What we will do:

- Provide you with a new or, at our option, a refurbished unit. The exchange unit is under warranty for the remainder of the original product's warranty period.

How you get service:

- Properly pack your unit. Include any cables, etc., which were originally provided with the product. We recommend using the original carton and packing materials.
- "Proof of purchase in the form of a bill of sale or receipted invoice which is evidence that the product is within the warranty period, must be presented to obtain warranty service." For rental firms, proof of first rental is also required. Also print your name and address and a description of the defect. Send via standard UPS or its equivalent to:

**Thomson Inc.
11721 B Alameda Ave.
Socorro, Texas 79927**

- Pay any charges billed to you by the Exchange Center for service not covered by the warranty.
- Insure your shipment for loss or damage. Thomson Inc. accepts no liability in case of damage or loss.
- A new or refurbished unit will be shipped to you freight prepaid.

What your warranty *does not* cover:

- Customer instruction. (Your Owner's Manual provides information regarding operating instructions and user controls. Any additional information, should be obtained from your dealer.)
- Installation and setup service adjustments.
- Batteries.
- Damage from misuse or neglect.
- Products which have been modified or incorporated into other products.
- Products purchased or serviced outside the USA.
- Acts of nature, such as but not limited to lightning damage.

Product Registration:

- Please complete and mail the Product Registration Card packed with your unit. It will make it easier to contact you should it ever be necessary. The return of the card is not required for warranty coverage.

Limitation of Warranty:

- **THE WARRANTY STATED ABOVE IS THE ONLY WARRANTY APPLICABLE TO THIS PRODUCT. ALL OTHER WARRANTIES, EXPRESS OR IMPLIED (INCLUDING ALL IMPLIED WARRANTIES OF MERCHANTABILITY OR FITNESS FOR A PARTICULAR PURPOSE) ARE HEREBY DISCLAIMED. NO VERBAL OR WRITTEN INFORMATION GIVEN BY THOMSON INC., ITS AGENTS, OR EMPLOYEES SHALL CREATE A WARRANTY OR IN ANY WAY INCREASE THE SCOPE OF THIS WARRANTY.**
- **REPAIR OR REPLACEMENT AS PROVIDED UNDER THIS WARRANTY IS THE EXCLUSIVE REMEDY OF THE CONSUMER. THOMSON INC. SHALL NOT BE LIABLE FOR INCIDENTAL OR CONSEQUENTIAL DAMAGES RESULTING FROM THE USE OF THIS PRODUCT OR ARISING OUT OF ANY BREACH OF ANY EXPRESS OR IMPLIED WARRANTY ON THIS PRODUCT. THIS DISCLAIMER OF WARRANTIES AND LIMITED WARRANTY ARE GOVERNED BY THE LAWS OF THE STATE OF INDIANA. EXCEPT TO THE EXTENT PROHIBITED BY APPLICABLE LAW, ANY IMPLIED WARRANTY OF MERCHANTABILITY OR FITNESS FOR A PARTICULAR PURPOSE ON THIS PRODUCT IS LIMITED TO THE APPLICABLE WARRANTY PERIOD SET FORTH ABOVE.**

How state law relates to this warranty:

- Some states do not allow the exclusion nor limitation of incidental or consequential damages, or limitations on how long an implied warranty lasts so the above limitations or exclusions may not apply to you.
- This warranty gives you specific legal rights, and you also may have other rights that vary from state to state.

If you purchased your product outside the USA:

- This warranty does not apply. Contact your dealer for warranty information.

Accessory Information

| DESCRIPTION | MODEL NO. |
|-----------------|-----------|
| Vibrating Alert | 5-2810 |
| Power Adaptor | 5-2784 |

To place order, have your Visa, MasterCard, or Discover Card ready and call toll-free **1-800-338-0376**.

A shipping and handling fee will be charged upon ordering. We are required by law to collect appropriate sales tax for each individual state, country, and locality to which the merchandise is being sent. Items are subject to availability.

*Prices are subject to change without notice.

Index

A

- Accessory Information 33
- Adding a Pause to the Dialing Sequence 23

- Amplified Audio 19
- Answering a Call 17

B

- Back & Side Views 11
- Base Layout 10
- Before You Begin 8

C

- Changing a Stored Number 24
- Connecting the Telephone Line 13

D

- Dialing a Number from Memory 24
- Dialing the Emergency Quick Dial Numbers 24

E

- Equipment Approval Information 2

F

- Flash 22

G

- General Product Care 27

H

- Handset 17
- Hearing Aid Compatibility (HAC) 5

I

- Important Installation Guidelines 9
- Installation 9
- Installing Backup Batteries 12
- Installing the Phone 12
- Interference Information 4
- Introduction 7

L

- Limited Warranty 29

M

- Memory 23
- Mute 21

Index

N

Neckloop 21

P

Parts Checklist 8

Placing a Call 17

R

Redial 22

S

Speakerphone 16, 17, 18

Storing a Number in
Memory 23

T

Telephone Jack
Requirements 8

Telephone Operation 16

Tone Equalizer 20

Troubleshooting Guide 25

V

Vibrating Alert 21

Volume 18

W

Wall Mounting 15

Warranty Assistance 28



Model 29578
00019317 (Rev. 0 Dom E/S)
07-31
Printed in China

Thomson Inc.
101 West 103rd Street
Indianapolis, IN 46290-1102
© 2007 Thomson Inc.
Trademark(s) ® Registered
Marca(s) Registrada(s)

Modelo 29578 de Escritorio Teléfono con Altavoz con Volumen Amplificado y Control de Tono Guía del Usuario



Información sobre la Aprobación de Equipo

El equipo de su teléfono está aprobado para la conexión con la red Telefónica Pública (Public Switched Telephone Network) y cumple con los requisitos establecidos en las secciones 15 y 68 de las Reglas y Regulaciones de la FCC y con los Requerimientos Técnicos para Equipos de Terminales Telefónicas (Technical Requirements for Telephone Terminal Equipment), publicado por ACTA.

1 Notificación a la Compañía Telefónica Local

En la parte de abajo de este equipo hay una etiqueta que indica, entre otra información, el número de US y el Número de Equivalencia de Timbres (REN) para este equipo. Usted debe, cuando sea requerido, proveer esta información a su compañía telefónica.

El REN es útil para determinar el número total de artefactos que Ud. puede conectar a su línea telefónica, todavía asegurando que todos estos artefactos sonarán cuando se llame su número telefónico. En la mayoría de las áreas (pero no en todas), el total de los números REN de todos los artefactos conectados a una línea no debe exceder 5. Para estar seguro del número total de artefactos que Ud. pueda conectar a su línea (determinado por el REN), Ud. deberá ponerse en contacto con su compañía telefónica local.

Cualquier enchufe y conexión que se utilice para conectar este equipo al cableado del edificio y a la red telefónica, debe estar en conformidad con el reglamento de la FCC Parte 68 que ha sido adoptado por la ACTA. Un cable telefónico y un enchufe modular que han sido aprobados y están en conformidad con dicho reglamento han sido provistos con este producto. Están diseñados para ser conectados a un enchufe modular compatible, que también esté en conformidad. Para más detalles, vea las instrucciones para la instalación.

Notes

- No se puede usar este equipo con un teléfono de previo pago proveído por la compañía telefónica.
- Las líneas compartidas son sujetas a las tarifas del estado, y por eso, es posible que Ud. no pueda usar su propio equipo telefónico si Ud. estuviera compartiendo la misma línea telefónica con otros abonados.
- Se debe notificar la compañía telefónica cuando se desconecte permanentemente su teléfono de la línea.
- Si su casa tiene algún equipo de alarma especial conectado a la línea telefónica, asegúrese que la instalación de este producto no desactive su equipo de alarma. Si usted tiene alguna pregunta sobre qué puede desactivar su equipo de alarma, consulte a su compañía telefónica o a un instalador calificado..

El número de la US está ubicado en el fondo de la base
El numero REN esta ubicado en el fondo de la base.

ADVERTENCIA: PARA PREVENIR EL RIESGO DE UNFUEGO O DE UNA SACUDIDA ELECTRICA, NO EXPONGA ESTE APARATO A LA LLUVIA O A LA HUMEDAD.

| | | |
|--|---|--|
|  <p>EL RELÁMPAGO Y LA PUNTA DE FLECHA DENTRO DEL TRIÁNGULO ES UNA SEÑAL DE ADVERTENCIA, ALERTÁNDOLE A UD. DE QUE HAY 'VOLTAJE PELIGROSO' DENTRO DEL PRODUCTO.</p> | <p>ATTENTION: RIESGO DE SACUDIDA ELECTRICA NO ABRA</p> <p>CUIDADO: PARA REDUCIR EL RIESGO DE UNA SACUDIDA ELÉCTRICA, NO quite LA CUBIERTA (O PARTE POSTERIOR) NO USE PARTES DE REPUESTO DENTRO. CONSULTE A ALGUNA PERSONA CALIFICADA DEL SERVICIO DE REPARACIONES.</p> |  <p>EL SIGNO DE EXCLAMACIÓN DENTRO DEL TRIANGULO ES UNA SEÑAL DE ADVERTENCIA, ALERTÁNDOLE A UD. DE QUE EL PRODUCTO, TRAE INCLUIDO, INSTRUCCIONES MUY IMPORTANTES.</p> |
| <p>VEA ADVERTENCIA EN LA PARTE POSTERIOR/BASE DEL PRODUCTO.</p> | | |

2 Derechos de la Compañía Telefónica

Si su equipo causase algún problema en su línea que pudiera dañar la red telefónica, la compañía telefónica siempre que sea posible le avisará de la posible interrupción temporal de su servicio. En caso que la compañía no pudiera avisarle de antemano y hubiera necesidad de tomar tal acción, la compañía telefónica podrá interrumpir su servicio inmediatamente. En caso de tal interrupción telefónica temporal la compañía debe : (1) darle aviso al momento de tal interrupción temporal de servicio, (2) concederle a Ud. la oportunidad de corregir la situación, (3) informarle a Ud. de sus derechos de presentar una queja a la Comisión de acuerdo con los procedimientos dictados en la Subparte E de la Parte 68 de las Regulaciones y Reglas de la FCC.

La compañía telefónica puede hacer los cambios en sus instalaciones de comunicación, en equipos, en sus funcionamientos o procedimientos que digan necesarios para el manejo de sus negocios y que no sean incompatibles con las Reglas y Regulaciones de la FCC. Si estos cambios pudieran alterar el uso o el funcionamiento de su equipo telefónico, la compañía telefónica deberá darle aviso adecuado en escrito para que Ud. goce de un servicio ininterrumpido.

Información de Interferencias

Este artefacto cumple con la Parte 15 de las Reglas de la FCC. Su funcionamiento es sujeto a las dos condiciones siguientes: (1) Este artefacto no puede causar interferencia dañosa, y (2) Este artefacto debe aceptar cualquier interferencia recibida, incluyendo interferencia que puede causar un funcionamiento no deseado.

Este equipo ha sido probado y cumple con los límites para un artefacto digital de la Clase B, de conformidad con la Parte 15 de las Reglas de la FCC. Estos límites han sido diseñados para proporcionar una protección razonable contra una interferencia dañosa que pueda existir en una instalación doméstica.

Este equipo genera, usa y puede radiar la energía de frecuencia de una radio y, si no fuera instalado y usado de acuerdo con las instrucciones, puede causar interferencia dañosa a las transmisiones radiales. Sin embargo, no hay garantía que la interferencia no ocurrirá en una instalación en particular.

La aislamiento de comunicaciones no puede ser asegurada al usar este producto.

Si este equipo causa en efecto una interferencia dañosa a la recepción de la radio o de la televisión, lo cual puede ser determinado apagando y prendiendo el equipo, le animamos a Ud. de tratar de corregir la interferencia por medio de una (o más) de las sugerencias siguientes:

- Cambie la posición o la ubicación de la antena (quiere decir la antena de la radio o de la televisión que está recibiendo la interferencia).
- Cambie la posición o cambie la ubicación y aumente la distancia entre el equipo de telecomunicaciones y la antena receptora de la radio o de la televisión que está recibiendo la interferencia.
- Conecte el equipo de telecomunicaciones a una toma en un circuito diferente del circuito al cual la antena receptora esté conectada.

Si estas medidas no eliminan la interferencia, favor de consultar a su distribuidor o a un técnico de radio/televisión experto por otras sugerencias. También, la Comisión Federal de Comunicaciones (FCC) ha preparado un folleto muy útil, "How To Identify and Resolve Radio/TV Interference Problems" ("Como Identificar y Resolver Problemas de Interferencia de Radio/Televisión"). Este folleto se puede obtener del U.S. Government Printing Office, Washington, D.C. 20402. Favor de especificar el número 004-000-00345-4 cuando haga su pedido.

Aviso: Los cambios o las modificaciones no no expreso aprobados por el partido responsable de conformidad podían anular la autoridad del usuario para funcionar el equipo.

Tabla de Contenido

| | | |
|--------------------------------------|--------------------------------------|-----------|
| INFORMACIÓN SOBRE LA | ALTAVOZ | 18 |
| APROBACIÓN DE EQUIPO | VOLUMEN | 18 |
| INFORMACIÓN DE INTERFERENCIAS | AUDIO AMPLIFICADO | 19 |
| COMPATIBILIDAD CON AUDÍFONOS | ECUALIZADOR DE TONOS..... | 20 |
| (CCA) | RECEPTÁCULO PARA CABLE DE | |
| INTRODUCCIÓN | AURICULAR MANOS LIBRES . | 21 |
| ANTES DE COMENZAR..... | MUTA..... | 21 |
| LISTA DE PARTES | ALERTA VIBRATORIA..... | 22 |
| REQUERIMIENTOS PARA ENCHUFE | SERVICIOS ESPECIALES..... | 22 |
| TELFÓNICO..... | VOLVER A MARCAR..... | 22 |
| INSTALACIÓN | MEMORIA | 23 |
| INFORMACIÓN IMPORTANTE PARA | PARA ALMACENAR UN NÚMERO | |
| LA INSTALACIÓN..... | EN LA MEMORIA..... | 23 |
| FORMATO DE LA BASE..... | CÓMO INTRODUCIR UNA PAUSA EN | |
| VISTAS TRASERA Y LATERAL..... | LA SECUENCIA DE MARCAR.. | 23 |
| INSTALAR EL TELÉFONO | CÓMO CAMBIAR UN NÚMERO | |
| INSTALACIÓN DE LAS BATERÍAS DE | ALMACENADO..... | 24 |
| RESPALDO | CÓMO MARCAR UN NÚMERO | |
| PARA CONECTAR LA LÍNEA | DE LA MEMORIA..... | 24 |
| TELFÓNICA..... | PARA MARCAR LOS NÚMEROS | |
| MONTAJE EN LA PARED..... | DE MARCACIÓN RÁPIDA DE | |
| OPERACIÓN BÁSICA DEL | EMERGENCIA | 24 |
| TELÉFONO..... | SOLUCIÓN DE PROBLEMAS | 25 |
| ALTAVOZ..... | CUIDADO GENERAL DEL | |
| PARA HACER UNA LLAMADA ... | PRODUCTO..... | 27 |
| AURICULAR..... | AYUDA DE LA GARANTÍA | 28 |
| ALTAVOZ | GARANTÍA LIMITADA | 29 |
| PARA CONTESTAR UNA | INFORMACIÓN DE ACCESORIOS ... | 33 |
| LLAMADA..... | ÍNDICE | 34 |
| AURICULAR..... | | |

Compatibilidad con Audífonos (CCA)

Se juzga que este teléfono es compatible con audífonos, en base a las normas de la FCC.

Introducción



CUIDADO: Cuando utilice equipo telefónico, hay instrucciones básicas de seguridad que siempre deben seguirse. Refiérase a la guía de **INSTRUCCIONES DE SEGURIDAD IMPORTANTES** provista con este producto y guárdela para referencia futura.

Este teléfono está diseñado para aquellos individuos con pérdida auditiva de leve a severa. La unidad está diseñada para controlar el volumen del teléfono así como las frecuencias que se adapten mejor a su oído. Tiene tres botones de control de intensidad que le permiten personalizar el teléfono según su preferencia. El ecualizador está configurado a 600 Hz, 1.2 KHz y 2.4 kHz.

El teléfono está diseñado con características únicas para proteger los oídos en su familia. Usted podrá alternar entre modos de amplificación manual y automáticos para proteger su oído de la exposición a niveles de sonido peligrosos.

Favor de leer este manual muy cuidadosamente antes de usar su 29578 y consérvelo para futuras referencias. Si usted tiene alguna preguntas o problemas, consulte la solución en la sección Tips para Solución de Problemas.

Antes de Comenzar

Lista de Partes

Asegúrese de que su paquete incluye los artículos mostrados aquí.



Base



Auricular



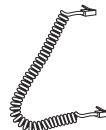
Cable de línea telefónica



Alerta Vibratoria



Adaptador de corriente CA



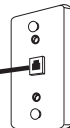
Cable del auricular

Requerimientos Para Enchufe Telefónico

Para utilizar este teléfono, usted puede necesitar un enchufe modular telefónico tipo RJ11C como el ilustrado aquí, instalado en su hogar. Si usted no tiene este tipo de enchufe, llame a su compañía telefónica local para preguntar cómo conseguirlo.

Placa de pared

Enchufe telefónico modular

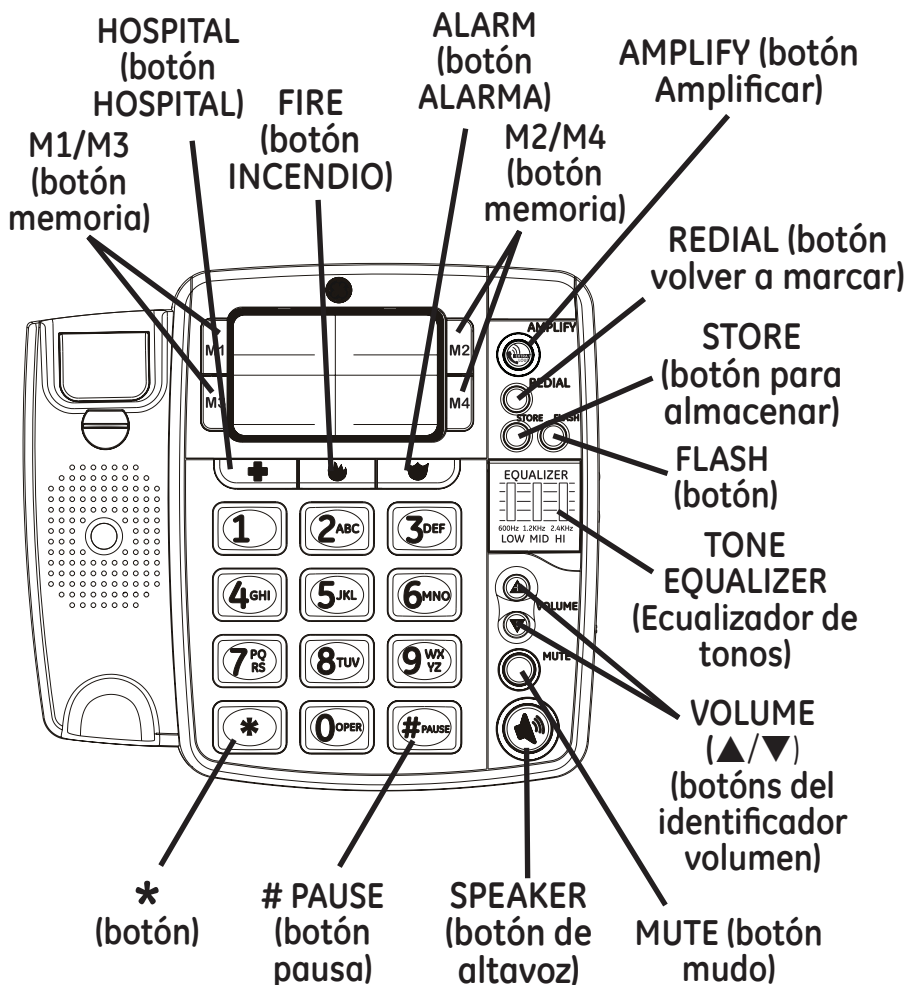


Instalación

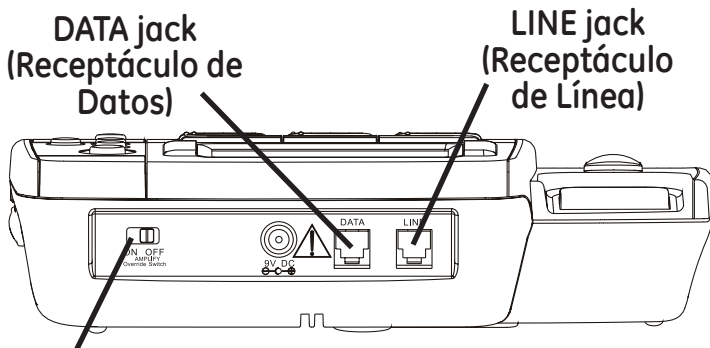
Información Importante para la Instalación

- Evite fuentes de ruido, como una ventana que dé a una calle con mucho tráfico, un ruido eléctrico, como motores, hornos de microondas, o luces fluorescentes.
- Evite áreas con humedad excesiva o temperaturas demasiado bajas.
- Evite los teléfonos inalámbricos o las computadoras personales.
- Nunca instale cableado telefónico durante una tormenta de relámpagos.
- Nunca instale enchufes telefónicos en localizaciones mojadas a menos que el enchufe haya sido diseñado específicamente para localizaciones mojadas.
- Nunca toque cables o terminales no aislados, a menos que la línea telefónica haya sido desconectada en la interfaz de la red.
- Utilice precaución cuando instale o modifique líneas telefónicas.

Formato de la Base



Vistas Trasera y Lateral



DATA jack
(Receptáculo de Datos)

LINE jack
(Receptáculo de Línea)

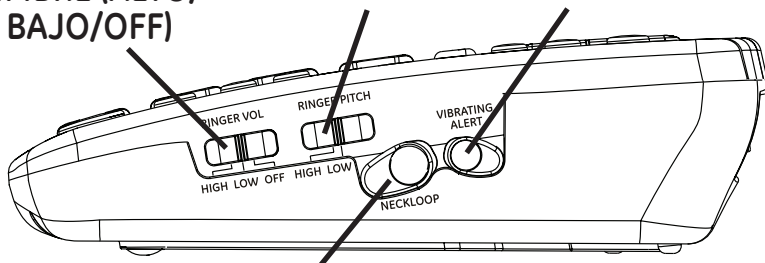
AMPLIFY Override Switch
(Modificación de Volumen)

(VISTA TRASERA)

Interruptor de VOLUMEN DE TIMBRE (ALTO/BAJO/OFF)

Interruptor de INTENSIDAD DE TIBRE (ALTA/BAJA)

VIBRATING ALERT jack
(Receptáculo de Alerta Vibratoria)



NECKLOOP jack
(Receptáculo para cable de auricular manos libres)

(VISTA LATERAL)

Instalar el Teléfono

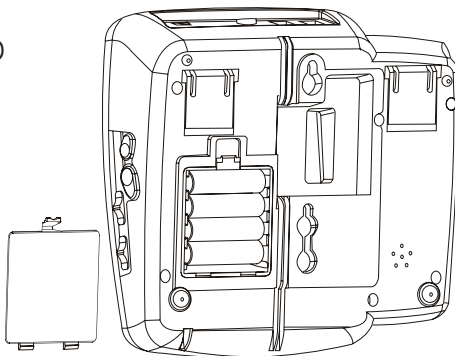
Instalación de las Baterías de Respaldo



PRECAUCION: Desconecte el cable del teléfono de la toma de la pared antes de instalar o reemplazar las baterías.

En caso de un corte de corriente, el teléfono usa 4 baterías alcalinas AA para energía de respaldo para las funciones de amplificación de voz entrante y timbre visual.

1. Desconecte el adaptador de corriente y la línea telefónica antes de instalar las baterías.
2. Voltee con cuidado el teléfono, y libere el pestillo en el compartimiento de baterías y remueva la cubierta.
3. Inserte 4 baterías alcalinas tamaño AA como se muestra en el diagrama en el compartimiento de las batería.
4. Inserte la puerta del compartimiento de las baterías de regreso en su lugar.
5. Vuelva a conectar el adaptador de corriente y el cable de la línea telefónica a la unidad.

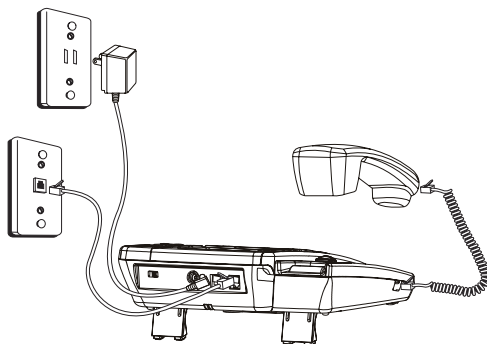


NOTA: Retire las baterías si almacena la unidad por más de 30 días para evitar daño en el caso de baterías con fuga.

Para Conectar la Línea Telefónica

NOTA: El aparato viene del fabricante para ser colocado sobre superficies planas.

1. Elija un área cerca de una toma de corriente eléctrica y de un receptáculo de pared de teléfono (RJ11C), y coloque su teléfono inalámbrico sobre una superficie nivelada, tal como un escritorio o una mesa, o usted puede montarlo en la pared.
2. Conecte un extremo del cable de la línea telefónica en el receptáculo de Línea en la parte posterior de la base y el otro extremo en un receptáculo modular.
3. Si usted tiene otro dispositivo (ejemplo, un teléfono auxiliar adicional o un módem de datos) que necesite estar conectado a la unidad, por favor conéctelo al receptáculo de Datos en la parte posterior de la unidad.
4. Conecte el adaptador de corriente CA en la toma de corriente eléctrica y el conector CD en el receptáculo en la parte posterior de la base.





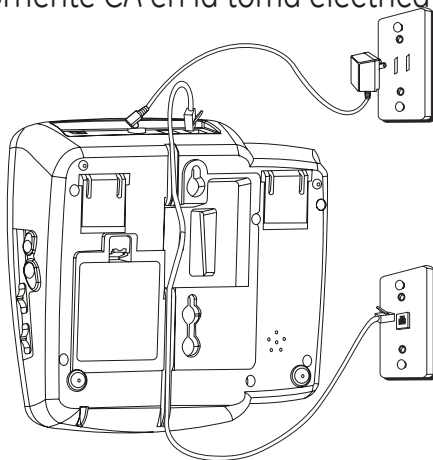
CUIDADO: Para reducir el riesgo de lesión personal, fuego, o daño use solamente el adaptador de corriente 5-2784 listado en la guía del usuario. Este adaptador de corriente es diseñado para estar orientado correctamente en una posición de montaje vertical o en el piso.

5. Usted puede extender el soporte en la parte inferior de la base para un mejor ángulo de visión cuando se coloque en el escritorio.
6. Conecte un extremo del cable del auricular enrollado al receptáculo del auricular.
7. Conecte el otro extremo del cable del auricular enrollado al receptáculo en la base.
8. Asegúrese de que la pestaña de montaje ESCRITORIO/ PARED esté girada a la posición ESCRITORIO y coloque el auricular en la base.
9. Ajuste el interruptor de VOLUMEN DEL RECEPTOR DEL AURICULAR en el nivel de escucha deseado en: ALTO, MEDIO O BAJO.

La unidad está adecuadamente instalada si usted levanta el auricular y escucha del tono demarcación. Si usted no escucha un tono de marcación vuelva a verificar todos los pasos de instalación.

Montaje en la Pared

1. Conecte el adaptador de corriente CA en la toma eléctrica y el conector CD en el receptáculo en la parte posterior de la base.
2. Conecte un extremo del cable recto de la línea telefónica en el receptáculo en la parte inferior de la base.
3. Cierre los soportes en la parte inferior de la unidad base si usted los ha abierto antes.
4. Inserte el cable de la línea a través de la ranura y conecte el extremo en el receptáculo de teléfono modular.
5. Inserte los orificios de montaje (en la parte inferior de la base) sobre los postes de la placa de la pared y deslice firmemente en la unidad hacia abajo en su lugar.
6. Asegúrese de que la pestaña de MONTAJE ESCRITORIO/PARED esté girada a la posición PARED.



Operación Básica del Teléfono

Altavoz

Para la operación a manos libres y para su conveniencia, este aparato está equipado con un altavoz

Para el mejor funcionamiento del altavoz, evite lo siguiente:

- Áreas con mucho ruido de fondo. (El micrófono puede recoger estos sonidos y evita que el altavoz se cambie a modalidad para recibir cuando usted termina de hablar).
- Superficies afectadas por vibración.
- Áreas remetidas, como una esquina, abajo de una gaveta, o junto a un gabinete, los cuales pueden generar un efecto de eco.

Siga las siguientes pautas cuando utilice el altavoz:

- El teléfono con altavoz funciona de manera similar a un radio de dos vías en cuanto a que usted solamente puede escuchar o hablar a la vez.
- Permanezca razonablemente cerca del teléfono de manera que usted pueda ser escuchado claramente por la persona con quien está hablando.
- Usted puede ajustar el volumen del altavoz ajustando los botones de volumen (▲ ó ▼) ("VOLUME"), localizado en el costado derecho de la base mientras el altavoz está en uso.
- El indicador del teléfono con altavoz se activa cuando el altavoz está en uso.

Para Hacer Una Llamada

Auricular

1. Levante el auricular y escuche para ver si hay tono de marcar.
2. Marque el número al que usted quiera llamar.
3. Cuando haya terminado, cuelgue el auricular.

Altavoz

1. Presione el botón de altavoz ("speaker") en la base y escuche para ver si hay tono de marcar.
2. Marque el número al que usted quiera llamar.
3. Cuando haya terminado, presione el botón de altavoz ("speaker") para colgar.

Para Contestar una Llamada

NOTA: Asegúrese de que el interruptor del timbre esté establecido en ALTO (HI) o BAJO (LO), o el teléfono no sonará. El indicador de timbre visual parpadeará en todas las selecciones.

Auricular

1. Cuando el teléfono timbre, levante el auricular.
2. Cuando haya terminado, cuelgue el auricular.

Altavoz

1. Cuando el teléfono timbre, presione el botón de altavoz (“speaker”) para contestar la llamada.
2. Cuando haya terminado, presione nuevamente el botón de altavoz (“speaker”) para colgar.

Usted puede alternar entre altavoz y auricular durante el proceso de marcado o en cualquier momento durante una conversación.

Altavoz a Auricular- Levante el auricular para desactivar el altavoz. El indicador del altavoz se apaga.

Auricular a Altavoz- Presione el botón de altavoz (“speaker”), y después cuelgue el auricular. El indicador del altavoz se ilumina y el auricular se desactiva.

Volumen

Usted puede controlar el volumen, tanto del auricular como del altavoz.

Al usar el auricular o el altavoz, usted puede ajustar el volumen al nivel de escucha deseado usando los botones de volumen (▲ ó ▼). El volumen del auricular tiene 4 niveles para ajuste y el volumen del altavoz tiene 8 niveles.

Audio Amplificado

Usted puede presionar el botón amplify para realzar temporalmente el volumen del receptor del auricular durante una llamada. Para regresar a los niveles normales, presione otra vez el botón. Los niveles de volumen regresarán también al estado normal cuando el auricular sea colocado nuevamente en la base después de una llamada.

El botón "AMPLIFICAR" controla el nivel de volumen incrementado y el ecualizador de tonos del auricular.

1. Presione el botón volume (▲ ó ▼) para mínimo, levante el auricular y presione el botón amplify para activar el amplificador de voz entrante. El indicador alrededor del botón se ilumina.
2. Ajuste el volumen presionando el botón volume (▲ ó ▼). Cuando el botón amplificar es presionado, un nivel extra de volumen amplificado es añadido suministrando hasta 40 decibeles de ganancia y control de nivel. En uso estándar, el amplificador se apaga cuando usted cuelga el teléfono. Si usted quiere activar el amplificador cuando levante el auricular, deslice el interruptor Modificar Volumen (Amplify Override) en la parte posterior de la unidad a la posición ON.

NOTA: La característica AMPLIFICAR es posible en el modo Auricular y Altavoz.



ADVERTENCIA: Este producto está diseñado para usuarios con discapacidad del oído y amplifica automáticamente el volumen al nivel más alto cuando el interruptor de modificación de volumen está establecido en la posición "ON". Si usted desea evitar la amplificación automática, por favor coloque el interruptor de modificación de restauración de volumen ubicado en la parte posterior del equipo en la posición "OFF".

Ecualizador de Tonos

El ecualizador de tonos de 3 bandas del teléfono realiza el sonido de los tres rangos de frecuencia (600Hz, 1.2KHz, 2.4KHz) para compensar la limitada sensibilidad del oído en estos rangos.

1. Para activar el ecualizador, presione el botón "amplify" después de levantar el auricular, o en cualquier momento durante una llamada. El indicador alrededor del botón se ilumina.
2. Para ajustar la configuración abra la cubierta del ecualizador. Deslice cada interruptor hacia "+" para aumentar o amplificar los sonidos, ó hacia "-" para disminuir el sonido dentro de ese rango específico.
3. Para apagar el ecualizador presione el botón "amplify" y la luz del indicador se apaga.

Receptáculo para Cable de Auricular Manos Libres

La unidad está equipada también con el receptáculo para cable de auricular manos libres de 3.5 mm para un dispositivo manos libres opcional (a ser comprado por separado). Cuando el dispositivo manos libres sea conectado, la señal de audio a la pieza auditiva del auricular será transferida al dispositivo manos libres. Ninguna salida en la pieza auditiva del auricular será escuchada.

NOTA: La inserción del dispositivo de auricular manos libres no afectará el comportamiento del Altavoz de la Unidad Base o la recepción del micrófono del Auricular.

Muta

Use el botón mute para interrumpir una conversación telefónica para hablar privadamente con alguien más en la habitación. Una conversación puede ser silenciada mientras usar el altavoz, el auricular, o el dispositivo manos libres.

1. Presione el botón mute. El indicador silenciar se ilumina.
2. Presione otra vez mute para apagarlo.

NOTA: Cambiar del altavoz al auricular cancela el silenciamiento.

Alerta Vibratoria

La unidad está equipada con un receptáculo para dispositivo vibratorio de 2.5 mm para una almohadilla vibratoria opcional para alertarle cuando el teléfono esté timbrando. Simplemente conecte la almohadilla vibratoria en el receptáculo. Cuando el teléfono timbre, la almohadilla vibrará con cada timbre del teléfono.

Servicios Especiales ("FLASH")

Presione el botón de servicios ("flash") para activar los servicios especiales como llamada en espera o transferencia de llamada, que le son provistos por su compañía telefónica local.

Volver a Marcar ("REDIAL")

Usted puede marcar el último número marcado simplemente oprimiendo el botón para volver a marcar ("redial") después de que usted recibe un tono de marcar.

NOTA: La función de Volver a Marcar ("redial") retiene en la memoria el último número que usted marcó (hasta 32 dígitos). Si usted oprimió cualquier tecla después de marcar el número telefónico (por ejemplo, para tener acceso a un sistema de menú de voz), esos números también serán marcados).

Memoria

Almacene hasta 7 números en memoria para marcación fácil. Tres pueden ser almacenados en las ubicaciones de Marcación Rápida de Emergencia, y cuatro en la memoria de un toque en la parte superior de la unidad base. Usted puede usar el espacio suministrado ya sea para escribir el nombre de sus contactos o para pegar imágenes para fácil reconocimiento.

Para Almacenar un Número en la Memoria

1. Levante el auricular o presione SPEAKER.
2. Presion el botón STORE.
3. Marque el número a ser almacenado (hasta 16 dígitos).
4. Presion el botón STORE.
5. Seleccione y presione cualquiera de los botones de Ubicación en Memoria de un toque.
6. Cuelgue el teléfono o presione el botón SPEAKER.

Cómo Introducir una Pausa en la Secuencia de Marcar

La función pausa es activada cuando el botón #pause es presionado y sostenido por 2 segundos.

Presione y sostenga el botón #pause en el punto en la secuencia de marcación en que se requiera una pausa.

El tiempo de pausa es de aproximadamente cuatro segundos, si tiempo adicional es necesario, presione y sostenga el botón #pause otra vez.

Cómo Cambiar un Número Almacenado

Cambie un número almacenado simplemente reemplazándolo con un número diferente. Los nuevos números sobrescribirán los números existentes.

Cómo Marcar un Número de la Memoria

Usted puede marcar números desde memoria cuando usa el auricular o el altavoz. Cuando usted obtenga un tono de marcación, presione el botón de memoria de un toque para el número que quiere marcar.

Para Marcar Los Números de Marcación Rápida de Emergencia

Si usted ha programado previamente sus números de Marcación Rápida de Emergencia, usted solamente necesita presionar el botón después de escuchar un tono de marcación.

Solución de Problemas

No hay tono de marcar.

- Verifique la instalación:
Asegúrese de que el cable de la línea telefónica esté conectado a la unidad base y al receptáculo telefónico de la pared.
- Verifique el gancho para colgar. Debe extenderse completamente cuando el auricular se levanta de la base.
- Usted debe tener servicio de tonos en su línea para usar este teléfono. Si usted no sabe qué tipo de servicio tiene, verifique con la compañía telefónica.
- Asegúrese de que el indicador del altavoz se ilumina (si está usando el altavoz).
- Desconecte el teléfono, espere 30 segundos, y vuelva a conectarlo. Después, levante el auricular para ver si da línea.
- Conecte otro teléfono al mismo receptáculo modular, si el segundo teléfono no funciona, el problema podría estar relacionado con su cableado o con el servicio local.
- Coloque el auricular en la base por al menos 20 segundos.

El teléfono no timbra

- Asegúrese que el selector de timbre (“RINGER”) esté en la posición de bajo (“LO”) o alto (“HI”).
 - Usted puede tener demasiadas extensiones de teléfonos en su línea. Intente desconectar algunas de las extensiones de teléfono.
 - Verifique que haya tono de marcar. Si no hay tono de marcar, vea las soluciones para “No hay tono de marcar.”
-

Volumen del auricular y altavoz muy bajos

- Verifique las programaciones de volumen del auricular y del altavoz.
-

A usted no le escucha la otra otra persona

- Asegúrese de que el cable telefónico esté conectado adecuadamente.
 - Asegúrese de que las extensiones del teléfono estén colgadas mientras usted está en el teléfono. Es normal que el volumen disminuya cuando se utilizan otras extensiones del teléfono al mismo tiempo.
-

La función de marcar

- Asegúrese de que inscribió los números correctamente. (Vea la sección "Memoria").
 - Asegúrese de que el aparato esté adecuadamente instalado. Levante el auricular y escuche el tono de marcar. Si usted no escucha el tono de marcar, verifique los pasos de la instalación.
-

Cuidado General del Producto

Para mantener su teléfono funcionando bien y con buena apariencia, observe las siguientes pautas:

- Evite poner el teléfono cerca de calentadores (calefactores) de ambiente y dispositivos que generen interferencia eléctrica ejemplo, motores o lámparas fluorescentes).
- No lo exponga a la luz solar directa o a la humedad.
- Evite que se caiga el teléfono, así como el maltrato del mismo.
- Limpie el teléfono con un trapo suave
- Nunca use un agente de limpieza fuerte ni un polvo abrasivo, ya que esto dañará el acabado.
- Retenga el empaque original en caso de que necesite embarcar el auricular en el futuro.

Ayuda de la Garantía

Si usted experimenta problemas con este equipo, para información de garantía, comuníquese con el departamento de servicio al cliente al **1-800-448-0329**. Si el equipo está causando daños a la red telefónica, la compañía telefónica puede requerir que desconecte su equipo hasta que el problema haya sido resuelto.

Cualquier reparaciones o cambio o modificación no aprobados expresamente por Thomson Inc. podría ser motivo de anulación de la autoridad del usuario para operar este producto. Para las instrucciones en cómo obtener una unidad del reemplazo, refiera a la garantía incluida en este servicio de cliente de la guía o de la llamada en **1-800-448-0329**.

O envíe sus preguntas a:

Thomson Inc.
Gerente, Servicio al Consumidor
P.O. Box 1976
Indianápolis, IN 46206

Adjunte su recibo al folleto, para futura referencia, o anote la fecha en la que se compró o recibió este producto como regalo. Esta información será valiosa si se llegase a requerir durante el período de garantía.

Fecha de Compra _____

Nombre de la Tienda _____

Garantía Limitada

Lo que cubre su garantía:

- Defectos de materiales o de trabajo.

Por cuánto tiempo después de la compra:

- Dos año, a partir de la fecha de compra.

(El periodo de garantía para unidades arrendadas se inicia con la primera renta o 45 días de la fecha del embarque a la firma de arrendamiento, lo que ocurra primero).

Lo que haremos:

- Proporcionarle una unidad nueva o, a nuestra opción, una reacondicionada. La unidad de intercambio quedará bajo garantía por el resto del periodo de garantía del producto original.

Cómo obtener servicio:

- Empaque bien la unidad, incluyendo todos los cables, etc., que originalmente venían con el producto. Se recomienda usar el cartón y materiales de empaque originales.
- "Prueba de compra como factura o recibo de compra, que ofrezca evidencia de que el producto está dentro del periodo de garantía, debe ser presentado para obtener servicio bajo garantía." Para compañías de arrendamiento, se requiere como evidencia el primer contrato de renta. También escriba claramente su nombre, dirección y la descripción del defecto. Mande vía UPS o un servicio de paquetería equivalente a:

Thomson Inc.
11721 B Alameda Ave.
Socorro, Texas 79927

- Pague cualquier cargo que le facture el Centro de Intercambio por servicio que no esté cubierto por garantía.
- Asegure su empaque para prevenir pérdida o daño. Thomson Inc. no acepta responsabilidad en caso de pérdida o daño.
- Un aparato nuevo o uno remozado se le enviará con los cargos pagados.

Lo que no cubre la garantía:

- Instrucciones al cliente. (Su manual de propietario le proporciona la información con respecto a las instrucciones de operación y los controles del usuario. Cualquier información adicional debe obtenerse con su agente de ventas.
- Ajustes de instalación y de preparación del servicio.
- Baterías.
- Daño por mal uso o negligencia.
- Productos que han sido modificados o incorporados a otros productos.
- Productos comprados o que han recibido servicio fuera de los Estados Unidos.
- Desastres naturales, por ejemplo y sin limitarse a ellos, daños por relámpagos.

Registro del Producto:

- Por favor llene y envíe por correo la Tarjeta de Registro del Producto que se embarcó con su producto. Hará más fácil que hagamos contacto con usted si fuera necesario. No se requiere la devolución de la tarjeta para tener la cobertura de la garantía.

Limitaciones sobre la Garantía:

- LA GARANTÍA ESPECIFICADA ANTERIORMENTES ES LA ÚNICA GARANTÍA APLICABLE A ESTE PRODUCTO. CUALQUIER OTRA GARANTÍA, EXPRESA O IMPLÍCATA (INCLUYENDO TODAS LAS GARANTÍAS IMPLÍCITAS DE MERCADO O DE SALUD PARA CUALQUIER PROPÓSITO) SON CONSIDERDAS NO VALIDAS. NINGUNA INFORMACION VERBAL O ESCRITA OTORGADO POR THOMSON INC., SUS AGENTES, O EMPLEADOS SERÁ CONSIDERADA PARA CREAR UNA GARANTÍA NI PARA AUMENTAR BAJO NINGUNA CIRCUNSTANCIA LA COBERTURA DE ESTA GARANTÍA.
- LA REPARACIÓN O REEMPLAZO DE UN PRODUCTO COMO SE ESPECIFICA BAJO ESTA GARANTÍA ES EL REMEDIO EXCLUSIVO DEL CONSUMIDOR. THOMSON INC. NO SE HACE RESPONSIBLE POR DAÑOS INCIDENTALES, DAÑOS DERIVADOS COMO CONSECUENCIA DEL USO ESTE PRODUCTO, O COMO RESULTADO DEL INCUMPLIMEINTO DE CUALQUIER GARANTÍA IMPLÍCITA O EXPRESA DE ESTE PRODUCTO. LA INVALIDEZ DE LAS GARANTÍAS O LAS GARANTÍAS LIMITADAS ESTÁN REGLAMENTADAS POR LAS LEYES DEL ESTADO DE INDIANA. EXCEPTO POR EL ALCANCE ESTABLECIDO POR LAS LEYES APLICABLES CUALQUIER GARNATÍA IMPLÍCITA DE MERCADO O DE SALUD PARA CUALQUIER PROPOSITO, EN ESTE PRODUCTO ES LIMITADA AL PERÍODO DE GARANTÍA ESPECIFICADO ANTERIORMENTE.

Cómo se Relaciona la Ley Estatal a esta Garantía:

- Algunos estados no permiten la exclusión ni limitación de daño incidental o derivado de alguna consecuencia, o la limitación con respecto al período de tiempo que debe aplicarse para garantías implícitas, por lo tanto las limitaciones y exclusiones mencionadas anteriormente pueden no ser aplicables para usted.
- Esta garantía le ofrece derechos legales específicos, y usted puede tener otros derechos legales que varían de estado a estado.

Si compró su producto fuera de los Estados Unidos:

- Esta garantía no se aplica. Vea a su distribuidor para información sobre la garantía.

Información de Accesorios

| DESCRIPTION | NÚMERO DE CATÁLOGO |
|---------------------------|--------------------|
| Alerta Vibratoria | 5-2810 |
| Adaptador de corriente CA | 5-2784 |

Para ordenar, tenga lista su tarjeta Visa, Mastercard o Discover y llame al **1-800-338-0376**.

Se aplicará un cargo por envío al ordenar. La ley nos requiere que cobremos el impuesto sobre la venta apropiado para cada estado, condado y área individuales a las cuales se envíe la mercancía. Los artículos están sujetos a disponibilidad.

Índice

A

- Alerta Vibratoria 22
- Altavoz 16, 17, 18
- Antes de Comenzar 8
- Audio Amplificado 9
- Auricular 17
- Ayuda de la Garantía 28

C

- Cómo Cambiar un Número Almacenado 24
- Cómo Introducir una Pausa en la Secuencia de Marcar 23
- Cómo Marcar un Número de la Memoria 24
- Compatibilidad con Audífonos (CCA) 7
- Cuidado General del Producto 27

E

- Ecualizador de Tonos 20

F

- Formato de la Base 10

G

- Garantía Limitada 29

I

- Información de Accesorios 33
- Información de Interferencias 4
- Información Importante Para la Instalación 9
- Información Sobre La Aprobación de Equipo 2
- Instalación 9
- Instalación de las Baterías de Respaldo 12
- Instalar el Teléfono 12
- Introducción 7

L

- Lista de Partes 8

M

- Memoria 23
- Montaje en la Pared 15
- Muta 21

Índice

O

Operación Básica del
Teléfono 16

P

Para Almacenar un
Número en la
Memoria 23

Para Conectar la Línea
Telefónica 13

Para Contestar una
Llamada 17

Para Hacer Una
Llamada 17

Para Marcar Los Números
de Marcación Rápida de
Emergencia 24

R

Receptáculo para Cable de
Auricular Manos
Libres 21

Requerimientos Para
Enchufe Telefónico 8

S

Servicios Especiales 22
Solución de Problemas 25

V

Vistas Trasera y Lateral 11
Volumen 18
Volver a Marcar 22



Model 29578
00019317 (Rev. 0 DOM E/S)
07-31
Impreso en China

Thomson Inc.
101 West 103rd Street
Indianapolis, IN 46290-1102
© 2007 Thomson Inc.
Trademark(s) ® Registered
Marca(s) Registrada(s)

Free Manuals Download Website

<http://myh66.com>

<http://usermanuals.us>

<http://www.somanuals.com>

<http://www.4manuals.cc>

<http://www.manual-lib.com>

<http://www.404manual.com>

<http://www.luxmanual.com>

<http://aubethermostatmanual.com>

Golf course search by state

<http://golfingnear.com>

Email search by domain

<http://emailbydomain.com>

Auto manuals search

<http://auto.somanuals.com>

TV manuals search

<http://tv.somanuals.com>