

# Model 29579 Desktop Caller ID Speakerphone with Amplified Volume and Tone Control User's Guide



# **Equipment Approval Information**

Your telephone equipment is approved for connection to the Public Switched Telephone Network and is in compliance with parts 15 and 68, FCC Rules and Regulations and the Technical Requirements for Telephone Terminal Equipment published by ACTA.

## **1 Notification to the Local Telephone Company**

On the bottom of this equipment is a label indicating, among other information, the US number and Ringer Equivalence Number (REN) for the equipment. You must, upon request, provide this information to your telephone company.

The REN is useful in determining the number of devices you may connect to your telephone line and still have all of these devices ring when your telephone number is called. In most (but not all) areas, the sum of the RENs of all devices connected to one line should not exceed 5. To be certain of the number of devices you may connect to your line as determined by the REN, you should contact your local telephone company.

A plug and jack used to connect this equipment to the premises wiring and telephone network must comply with the applicable FCC Part 68 rules and requirements adopted by the ACTA. A compliant telephone cord and modular plug is provided with this product. It is designed to be connected to a compatible modular jack that is also compliant. See installation instructions for details.

## **Notes**

- This equipment may not be used on coin service provided by the telephone company.
- Party lines are subject to state tariffs, and therefore, you may not be able to use your own telephone equipment if you are on a party line. Check with your local telephone company.

- Notice must be given to the telephone company upon permanent disconnection of your telephone from your line.
- If your home has specially wired alarm equipment connected to the telephone line, ensure the installation of this product does not disable your alarm equipment. If you have questions about what will disable alarm equipment, consult your telephone company or a qualified installer.

**US Number is located on the cabinet bottom.**

**REN Number is located on the cabinet bottom.**

## **2 Rights of the Telephone Company**

Should your equipment cause trouble on your line which may harm the telephone network, the telephone company shall, where practicable, notify you that temporary discontinuance of service may be required. Where prior notice is not practicable and the circumstances warrant such action, the telephone company may temporarily discontinue service immediately. In case of such temporary discontinuance, the telephone company must: (1) promptly notify you of such temporary discontinuance; (2) afford you the opportunity to correct the situation; and (3) inform you of your right to bring a complaint to the Commission pursuant to procedures set forth in Subpart E of Part 68, FCC Rules and Regulations.

The telephone company may make changes in its communications facilities, equipment, operations or procedures where such action is required in the operation of its business and not inconsistent with FCC Rules and Regulations. If these changes are expected to affect the use or performance of your telephone equipment, the telephone company must give you adequate notice, in writing, to allow you to maintain uninterrupted service.

# Interference Information

---

This device complies with Part 15 of the FCC Rules. Operation is subject to the following two conditions: (1) This device may not cause harmful interference; and (2) This device must accept any interference received, including interference that may cause undesired operation.

This equipment has been tested and found to comply with the limits for a Class B digital device, pursuant to Part 15 of the FCC Rules. These limits are designed to provide reasonable protection against harmful interference in a residential installation.

This equipment generates, uses, and can radiate radio frequency energy and, if not installed and used in accordance with the instructions, may cause harmful interference to radio communications. However, there is no guarantee that interference will not occur in a particular installation.

Privacy of Communications may not be ensured when using this product.

If this equipment does cause harmful interference to radio or television reception, which can be determined by turning the equipment off and on, the user is encouraged to try to correct the interference by one or more of the following measures:

- Reorient or relocate the receiving antenna (that is, the antenna for radio or television that is “receiving” the interference).
- Reorient or relocate and increase the separation between the telecommunications equipment and receiving antenna.
- Connect the telecommunications equipment into an outlet on a circuit different from that to which the receiving antenna is connected.

If these measures do not eliminate the interference, please consult your dealer or an experienced radio/television technician for additional suggestions. Also, the Federal Communications Commission has prepared a helpful booklet, "How To Identify and Resolve Radio/TV Interference Problems." This booklet is available from the U.S. Government Printing Office, Washington, D.C. 20402. Please specify stock number 004-000-00345-4 when ordering copies.

Notice: The changes or modifications not expressly approved by the party responsible for compliance could void the user's authority to operate the equipment.



## Hearing Aid Compatibility (HAC)

This telephone system meets FCC standards for Hearing Aid Compatibility.

## Licensing

Licensed under US Patent 6,427,009.

**WARNING: TO PREVENT FIRE OR ELECTRICAL SHOCK HAZARD, DO NOT EXPOSE THIS PRODUCT TO RAIN OR MOISTURE.**

 <p>THE LIGHTNING FLASH AND ARROW HEAD WITHIN THE TRIANGLE IS A WARNING SIGN ALERTING YOU OF "DANGEROUS VOLTAGE" INSIDE THE PRODUCT.</p>	<p><b>CAUTION:</b> RISK OF ELECTRIC SHOCK DO NOT OPEN</p> <p>CAUTION: TO REDUCE THE RISK OF ELECTRIC SHOCK, DO NOT REMOVE COVER (OR BACK). NO USER SERVICEABLE PARTS INSIDE. REFER SERVICING TO QUALIFIED SERVICE PERSONNEL.</p>	 <p>THE EXCLAMATION POINT WITHIN THE TRIANGLE IS A WARNING SIGN ALERTING YOU OF IMPORTANT INSTRUCTIONS ACCOMPANYING THE PRODUCT.</p>
SEE MARKING ON BOTTOM / BACK OF PRODUCT		

# Table of Contents

---

<b>EQUIPMENT APPROVAL</b>	CONTRAST.....	18
<b>INFORMATION.....</b>	LOCAL AREA CODE.....	19
<b>INTERFERENCE INFORMATION....</b>	<b>TELEPHONE OPERATION .....</b>	<b>20</b>
<b>HEARING AID COMPATIBILITY</b>	SPEAKERPHONE.....	20
<b>(HAC) .....</b>	PLACING A CALL.....	21
<b>LICENSING .....</b>	HANDSET .....	21
<b>INTRODUCTION .....</b>	SPEAKERPHONE.....	21
<b>BEFORE YOU BEGIN .....</b>	ANSWERING A CALL .....	21
PARTS CHECKLIST .....	HANDSET .....	21
TELEPHONE JACK	SPEAKERPHONE.....	22
REQUIREMENTS .....	VOLUME.....	22
<b>INSTALLATION .....</b>	AMPLIFIED AUDIO .....	23
IMPORTANT INSTALLATION	TONE EQUALIZER .....	24
GUIDELINES .....	NECKLOOP .....	25
<b>BASE LAYOUT.....</b>	MUTE.....	25
<b>BACK &amp; SIDE VIEWS .....</b>	VIBRATING ALERT.....	26
<b>INSTALLING THE PHONE.....</b>	FLASH.....	26
INSTALLING BACKUP	REDIAL .....	26
BATTERIES .....	<b>CALLER ID (CID).....</b>	<b>27</b>
CONNECTING THE	CALL WAITING CALLER ID	28
TELEPHONE .....	RECEIVING CID RECORDS..	28
SETTING UP THE USER	STORING CID RECORDS ....	28
MENU .....	REVIEWING CID	
WALL MOUNTING.....	RECORDS.....	29
DISPLAY LANGUAGE.....	DIALING A CID NUMBER...	30

# Table of Contents

---

CALLER ID DISPLAY	TRUBLESHOOTING GUIDE.....	37
MESSAGES.....	GENERAL PRODUCT CARE .....	39
31	WARRANTY ASSISTANCE.....	40
STORING CID RECORDS IN	LIMITED WARRANTY.....	41
INTERNAL MEMORY .....	ACCESSORY INFORMATION .....	45
32	INDEX .....	46
TO REPLACE A STORED CID		
RECORD.....		
33		
DELETING A CID RECORD .		
33		
DELETING ALL CID		
RECORDS .....		
33		
<b>MEMORY .....</b>		<b>34</b>
STORING A NUMBER IN		
MEMORY.....		
34		
ADDING A PAUSE TO THE		
DIALING SEQUENCE.....		
35		
CHANGING A STORED		
NUMBER .....		
35		
DIALING A NUMBER FROM		
MEMORY.....		
35		
DIALING THE EMERGENCY		
QUICK DIAL NUMBERS.....		
35		
CHAIN DIALING FROM		
MEMORY.....		
36		

# Introduction

---



**CAUTION:** When using telephone equipment, there are basic safety instructions that should always be followed. Refer to the **IMPORTANT SAFETY INSTRUCTIONS** provided with this product and save them for future reference.

This phone is designed for those individuals with mild to severe hearing loss. The unit is designed to control the volume of the phone as well as the frequencies that best fit your hearing. It has three pitch control buttons allowing you to customize the phone to your desire. The equalizer is set at 600Hz, 1.2KHz and 2.4kHz.

The phone is designed with unique feature to protect the hearing in your family. You will be able to switch between automatic and manual amplification modes to protect your hearing from being exposed to dangerous sound levels.

Please read this manual very carefully before using your 29579 and keep it for future references. If you have any question or problems, consult the Troubleshooting Tips for the solution.



# Before You Begin

---

## Parts Checklist

Make sure your package includes the items shown here.



**Base**



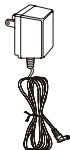
**Handset**



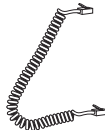
**Telephone  
line cord**



**Vibrating  
Alert**



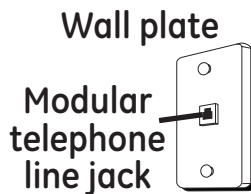
**Power  
Supply**



**Handset  
cord**

## Telephone Jack Requirements

To use this phone, you need an RJ11C type modular telephone jack, which might look like the one pictured here, installed in your home. If you don't have a modular jack, call your local phone company to find out how to get one installed.



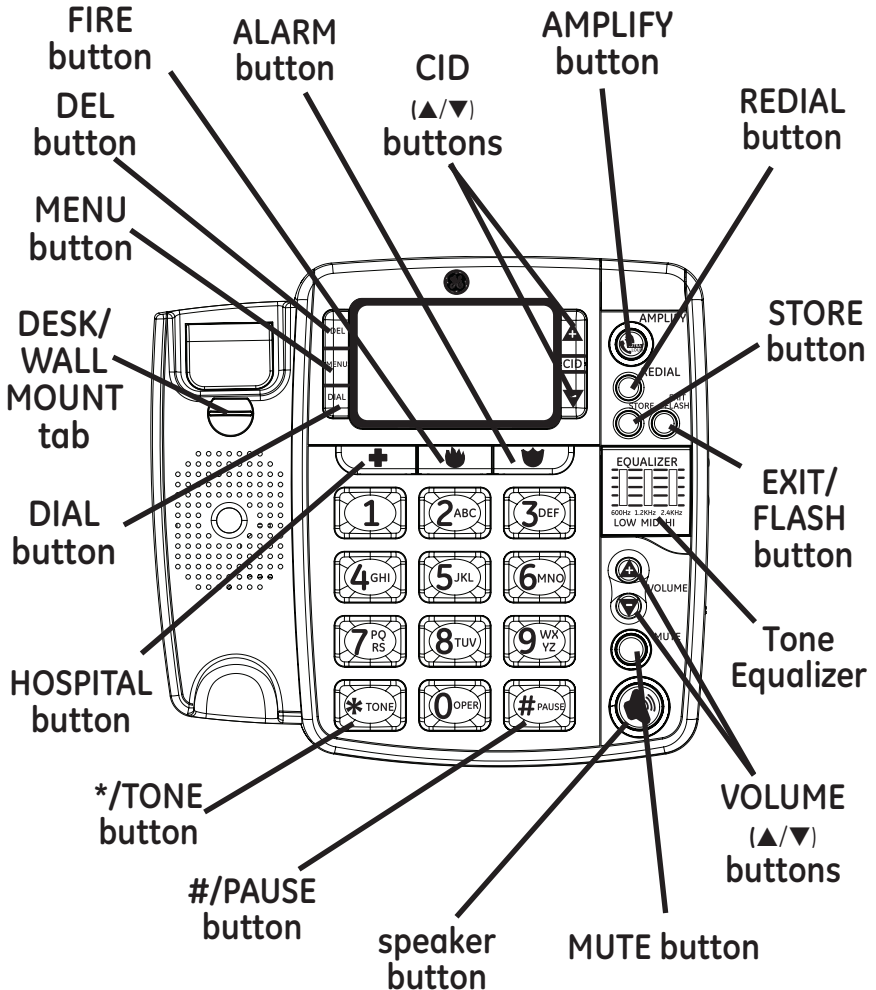
# Installation

---

## Important Installation Guidelines

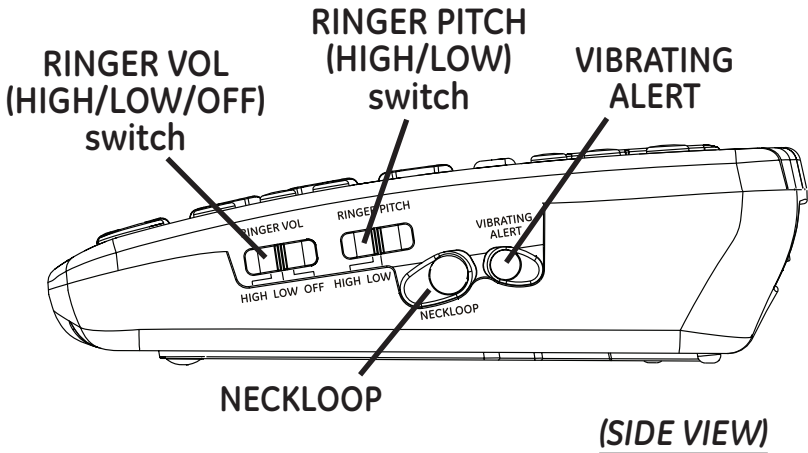
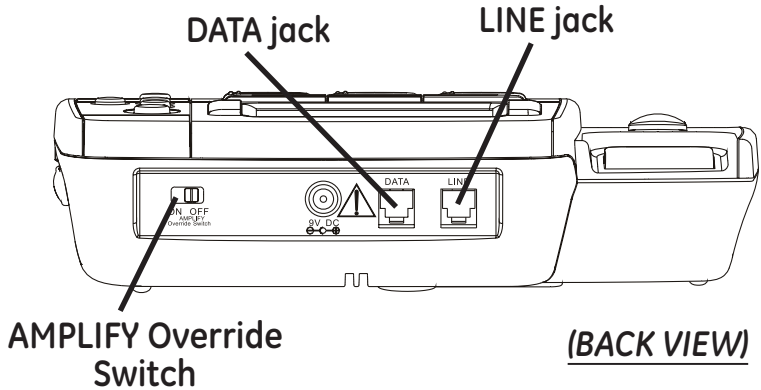
- Avoid sources of noise and heat, such as motors, fluorescent lighting, microwave ovens, heating appliances and direct sunlight.
- Avoid areas of excessive dust, moisture and low temperature.
- Avoid other cordless telephones or personal computers.
- Never install telephone wiring during a lightning storm.
- Never install telephone jacks in wet locations unless the jack is specifically designed for wet locations.
- Never touch non-insulated telephone wires or terminals, unless the telephone line has been disconnected at the network interface.
- Use caution when installing or modifying telephone lines.

# Base Layout



# Back & Side Views

---



# Installing the Phone

---

## Installing Backup Batteries

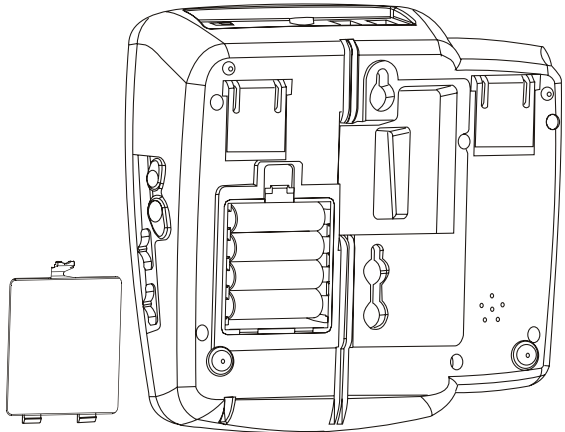


**CAUTION:** Disconnect the phone cord from the wall outlet before installing or replacing the batteries.

In case of a power outage, the phone uses 4 AA alkaline batteries for backup power for incoming voice amplification and visual ringer functions.

**NOTE:** If no batteries are installed, the low battery icon will flash.

1. Unplug the power adaptor and the telephone line before installing batteries.
2. Carefully turn over the phone, and release latch on battery compartment and remove cover.



3. Insert 4 AA-size alkaline batteries as shown on the diagram in the battery compartment.
4. Snap the battery compartment door back into place.
5. Re-attach the power adaptor and the telephone line cord to the unit .

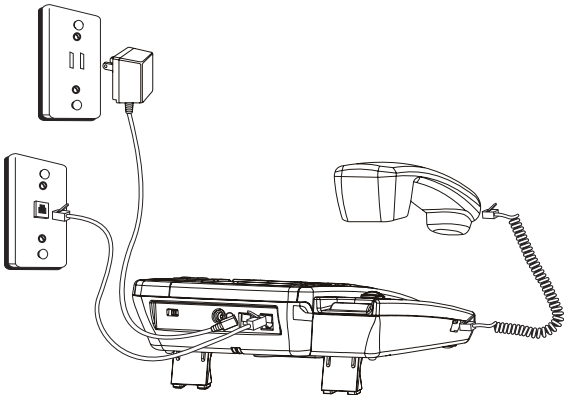
**NOTE:** Remove the batteries if storing the unit for over 30 days to prevent damage in the event of leaking batteries.

## Connecting the Telephone

**NOTE:** The unit is shipped from the factory for placement on a level surface.

1. Choose an area near a telephone wall jack (RJ11C), and place your cordless telephone on a level surface, such as a desktop or tabletop, or you may mount it on the wall.

2. Plug the AC power adaptor into the electrical outlet and the DC connector into the jack on the back of the base.



- CAUTION:** To reduce risk of personal injury, fire, or damage use only the 5-2784 power adaptor listed in the user's guide. This power adaptor is intended to be correctly orientated in a vertical or floor mount position.
3. You can stretch out the kick-stands on the bottom of the base for a better viewing angle when placed on desktop.

4. Connect one end of the coiled handset cord to the jack on the handset.
5. Plug the other end of the coiled handset cord to the jack on the base.
6. Make sure the DESK/WALL MOUNT tab is rotated to the DESK position and place the handset into the cradle.
7. Adjust the RINGER VOLUME switch to the desired setting: *HI, LOW or OFF.*

## Setting Up the User Menu

**NOTE: You should not plug the telephone into the modular jack while setting up the User Menu.**

1. Press the MENU button, to access the menu feature configuration mode.
  - # 1. >ENG FRA ESP (Default English)
  - # 2. CONTRAST (default level is 3).
  - # 3. LOCAL AREA CODE
2. Press the MENU button to scroll through the 3 menu screens.
3. Use the CID (▲ or ▼) buttons to select the desired setting.

**NOTE: You have 20 seconds following an entry before the phone returns to the Summary Screen.**

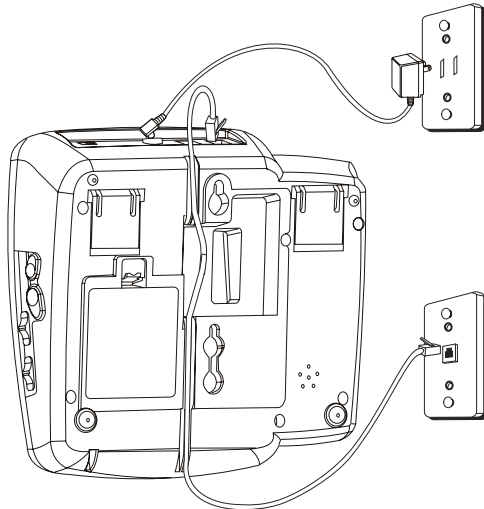
4. Plug one end of the telephone line cord into the LINE jack at the back of the base and the other end into a modular jack.
5. If you have another device (example, an additional auxiliary phone or data modem) need to be connected to the unit, please connect it to the DATA jack on the back of the unit.

The unit is properly installed if you pick up the handset and hear the dial tone. If you don't hear a dial tone recheck all the installation steps.



## Wall Mounting

1. Plug the AC power adaptor into the electrical outlet and the DC connector into the jack on the back of the base.
2. Plug one end of the straight telephone line cord into the jack on the bottom of the base.
3. Close the kick-stands on the bottom of the base unit if you've opened them before.
4. Feed the line cord through the groove and plug the end into the modular telephone jack. Excess telephone line can be stuffed into the recess area on the bottom of the Base Unit.
5. Slip the mounting holes (on the bottom of the base) over the wall plate posts and firmly slide the unit down into place.
6. Make sure the DESK/WALL MOUNT tab is rotated to the WALL position.



## Display Language

This adjustment allows you to display the Caller ID prompts in English, French, or Spanish.

1. Press the MENU button until **ENG FRA ESP** appears in the display.
2. Use the CID (▲ or ▼) button to select ENG, FRA, or ESP.
3. Press MENU button again to save.

## Contrast

This adjustment allows you to adjust the contrast of the display.

1. Press the MENU button until **CONTRAST** shows in the display.
2. Use the CID (▲ or ▼) button to select level 1, 2, 3, or 4.
3. Press MENU button again to save.

## Local Area Code

The telephone uses the programmed area codes to determine the number format to display when a valid Caller ID signal is received. Numbers that match the local area code are displayed as seven digits and are used for dialing back previous numbers. Entering your local area code will also help you immediately know if the call is local or long distance when viewing the CID records in the display.

**NOTE: If you make a mistake and want to start over, press the DEL button to delete all of the digits.**

1. Press the MENU button until **LOCAL AREA CODE** shows in the display.
2. Use the CID (▼) button to select the correct number or enter directly by using the number pad.
3. Use the CID (▲) button to move to second and third digit locations to make your selections.
4. Press the MENU button to save.

# Telephone Operation

---

## Speakerphone

For hands-free operation and convenience, this unit is equipped with a speakerphone.

For best speakerphone performance, avoid the following:

- Areas with high background noise. (The microphone might pick up these sounds and prevent the speakerphone from going into the receiving mode when you finish talking.)
- Surfaces affected by vibration.
- Recessed areas such as in a corner, under a cupboard, or next to a cabinet, which can generate an echo effect.

### **Note the following guidelines when using the speakerphone:**

- The speakerphone works similar to a two-way radio in that you can only listen or talk at one time.
- Stay reasonably close to the phone so that you can be clearly heard by the person to whom you are talking.
- You can adjust the speaker volume by adjusting the VOLUME (▲ or ▼) buttons while the speakerphone is in use.
- The speakerphone indicator illuminates when the speakerphone is in use.

## Placing a Call

### Handset

1. Pick up the handset and listen for a dial tone.
2. Dial the number you want to call.
3. When finished, hang up the handset.

### Speakerphone

1. Press the speaker button on the base and listen for a dial tone.
2. Dial the number you want to call.
3. When finished, press the speaker button to hang up.

## Answering a Call

**NOTE: Make sure the ringer switch is set to HI or LO, or the phone will not ring. The visual ring indicator will flash at all settings.**

### Handset

1. When the phone rings, pick up the handset.
2. When finished, hang up the handset.

## Speakerphone

1. When the phone rings, press the speaker button to answer a call.

2. When finished, press the speaker button to hang up.

You may switch between the speakerphone and the handset during the dialing process or anytime during a conversation.

**Speakerphone to Handset** - Pick up the handset to disable the speakerphone. The speakerphone indicator turns off.

**Handset to Speakerphone** - Press the speaker button, and then hang up the handset. The speakerphone indicator turns on and the handset is disabled.

## Volume

You can control the volume of both the handset receiver and the speakerphone.

While using the handset or speakerphone, you may adjust the volume to the desired listening level by using the VOLUME (▲ or ▼) buttons. Handset volume has 4 levels for adjustment and Speaker volume has 8 levels.

## Amplified Audio

You may press the AMPLIFY button to temporarily boost the volume of the handset receiver during a call. To return to normal levels, press the button again. Volume levels will also return to normal when handset is replaced on base after call. The AMPLIFY button controls the increased volume level and tone equalizer of the handset.

1. Press the VOLUME (▲ or ▼) button to minimum, pick up the handset and press the AMPLIFY button to turn on the incoming voice amplifier. The indicator around the button illuminates.
2. Adjust the volume by pressing the VOLUME (▲ or ▼) button. When the AMPLIFY button is pressed, an extra level of amplified volume is added providing up to 40dB of gain and level control. In standard use, the amplifier turns off whenever you hang up the telephone. If you want the amplifier to turn on whenever you pick up the handset , slide the AMPLIFY Override switch located at the back of the unit to ON.

**NOTE: AMPLIFY feature is possible in both Handset and Speaker Mode.**



**WARNING:** This Product is designed for users with hearing disabilities and automatically amplifies the volume to the highest level when the AMPLIFY Override switch is set to "ON". If you wish to prevent the automatic amplification, please turn the AMPLIFY Override switch located on the back of the set to "OFF".

## Tone Equalizer

The phone's 3-band tone equalizer boosts the sound of the three frequency ranges ( 600Hz, 1.2KHz, 2.4KHz ) to compensate for the ear's limited sensitivity in these ranges.

1. To turn on the equalizer, press the AMPLIFY button after you pick up the handset, or any time during the a call. The indicator around the button illuminates.
2. To adjust the setting open the equalizer cover. Slide each switch toward "+" to increase or amplify sounds, or toward "-" to decrease the sound within that specific range.
3. To turn off the equalizer press the AMPLIFY button and the indicator light turns off.



## Neckloop

The unit is also equipped with the 3.5mm Neckloop jack for an optional Neckloop device (to be purchased separately). When Neckloop device is plugged in, audio signal to Handset earpiece will be transferred to the Neckloop device. No output on Handset earpiece will be heard.

**NOTE: Inserting the Neckloop device will not affect the behavior of the Base Unit Speakerphone or the Handset microphone reception.**

## Mute

Use the MUTE button to interrupt a phone conversation to talk privately with someone else in the room . A conversation can be muted while using the speakerphone, handset or neckloop.

1. Press the MUTE button. The mute indicator illuminates.
2. Press MUTE again to turn it off.

**NOTE: Switching from speakerphone to handset cancels mute.**

## Vibrating Alert

The unit is equipped with a 2.5mm vibrating alert jack for an optional vibrating pad to alert you when the phone is ringing. Simply plug the vibrating alert into the jack . When the phone rings, the pad will vibrate with each ring of the phone.

## Flash

Press the EXIT/FLASH button to activate customer calling services such as call waiting or call transfer, which are provided by your local phone company.

## Redial

You may redial the last number you called by pressing the REDIAL button after you get a dial tone.

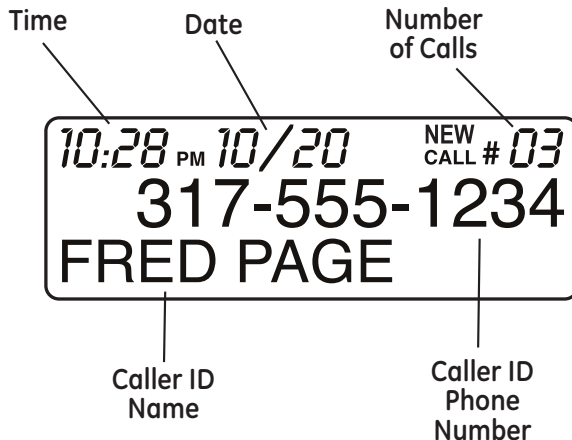
**NOTE: The Redial feature holds in memory the last phone number you dialed (as many as 32 digits). If you pressed any numbers after dialing the phone number, (for example, when accessing a voice-menu system) those numbers also are redialed.**

## Caller ID (CID)

---

**IMPORTANT:** In order to use this unit's Caller ID features, you must subscribe to either the standard Name/Number Caller ID Service or Call Waiting Caller ID Service. To know who is calling while you are on the phone, you must subscribe to Call Waiting Caller ID Service.

This unit receives and displays information transmitted by your local phone company. This information can include the phone number, date, and time; or the name, phone number, date, and time.



## Call Waiting Caller ID

Provided you subscribe to Call Waiting Caller ID service from your phone company; if you receive an incoming call and you are already on the phone, a beep indicates the presence of a Call Waiting call on the line. Only the handset that is in use at the time of the call will display and store the Call Waiting Caller ID information.

- When you hear the call waiting beep in the handset receiver, press the EXIT/FLASH button to put the current call on hold and answer the incoming call. Press EXIT/FLASH button again to return to the original call.

## Receiving CID Records

When you receive a call, the Caller ID information is transmitted between the first and second ring. The Caller ID information appears on the display while the phone rings, giving you a chance to monitor the information and decide whether or not to answer the call.

## Storing CID Records (In CID Memory)

If you are not at home or cannot answer, your telephone's Caller ID memory stores the data for the 70 most recent calls you received so you can see who called while you were unavailable. When the 71st call is received, the oldest Caller ID record (1st call) is automatically deleted.

You may review the stored information at any time. Calls received since your last review show as NEW in the display.

## Reviewing CID Records

As calls are received and stored, the display is updated to let you know how many calls have been received. To scroll CID records:

1. Make sure the phone is **OFF** (not in talk mode).
2. Press the CID (▼) button to review the newest CID record.
3. Press the CID (▲) button to review the oldest CID record first.

## Dialing a CID Number

1. Make sure the phone is **OFF** (not in TALK mode).
2. Use the CID (**▲** or **▼**) button to display the desired record.
3. Press the DIAL button and the display will show **PICKUP PHONE**. Then you can either pick up the handset receiver or press the speaker button. The number will be dialed automatically with **NOW DIALING** showing while the number is being dialed.

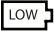
**NOTE: Depending on (a) how the incoming caller's phone number is formatted when it is received, and (b) whether or not you previously pre-programmed your local area code into the set up menu, you may need to adjust the format of the incoming caller's stored phone number before making the call, press the DIAL button to adjust the number, and try again. *PICKUP* or *ADJ* will display while you are changing the phone number format.**

Available formats include:

<i>Number of digits</i>	<i>Explanation</i>	<i>Example</i>
<b>Eleven digits</b>	long distance code "1 " +3-digit area code +7-digit telephone number.	1-317-888-8888
<b>Ten digits</b>	3-digit area code + 7-digit telephone number.	317-888-8888
<b>Seven digits</b>	7-digit telephone number.	888-8888

## Caller ID Display Messages

The following special messages indicate the status of a message or the unit:

- BLOCKED CALL** The caller of the incoming call is registered as “Private Number” and their Caller ID information is withheld.
- CALL WAITING** Indicates a call is waiting on the line.
-  Steady ON when battery power level is low; flashing when no batteries are installed.
- NO CALLS** The caller memory is empty.
- START/END** You are at the beginning or the end of the Caller ID memory log.
- UNKNOWN CALLER** The incoming call does not have CALLER ID service or their service area is not linked to yours. If **UNKNOWN CALLER** appears along with a calling number, the name information for that number was not available.

## Storing CID Records in Internal Memory

You may also store CID information in the phone's internal memory.

**NOTE: It is important that you format CID records correctly BEFORE storing in internal memory as you cannot reformat CID records stored in memory.**

1. Make sure the phone is **OFF** (not in talk mode).
2. Use the CID (▲ or ▼) button to scroll to the desired CID record.
3. Press the STORE button and LCD will display **LOCATION ?**.
4. Use the touch-tone pad to enter a memory location (0-9) or Emergency Number MA, MB, or MC to store the number in that memory location. You will hear a confirmation tone and the display will show the memory location and the phone number being stored into memory.
5. Press STORE button three times to save the phone number, caller name and the display will show **OK** for confirmation.

**NOTE: Press the EXIT/FLASH button once to keep the previous setting (making no changes) and return to the menu.**

**NOTE: If the selected CID record contains any information that is non-numeric, the unit will not allow this record to transfer to the internal user memory. The handset will display *UNABLE TO STORE*.**



## To Replace a Stored CID Record

Repeat Step 1 through Step 5 in “Storing CID Records in Internal Memory.”

## Deleting a CID Record

1. Make sure the phone is **OFF** (not in TALK mode).
2. Use the CID (▲ or ▼) button to display the CID record you want to delete.
3. Press the DEL button to delete CID record. The next Caller ID record shows in the display.

**NOTE: Press the EXIT/FLASH button to return to the standby mode.**

## Deleting All CID Records

1. Make sure the phone is **OFF** (not in TALK mode).
2. Use the CID (▲ or ▼) button to display any Caller ID record.
3. Press and hold the DEL button until **DELETE ALL?** shows on the display.
4. Press DEL button again to erase all records. The display shows **NO CALLS**.

**NOTE: Press the EXIT/FLASH button to return to the standby mode.**

# Memory

---

Store as many as 13 numbers in memory for easy dialing. Three can be stored in the Emergency Quick Dial locations, and ten additional numbers in the numbered keys (0-9).

## Storing a Number in Memory

1. Make sure the phone is **OFF** (not in TALK mode).
2. Press the STORE button and display will show **LOCATION ?**.
3. Select any of the memory location through keypad (0-9) or Emergency Quick Dial Locations (MA, MB or MC).
4. Press STORE button and then enter the number to be stored through keypad.
5. Press STORE and then enter the person's name using the keypad letter marked A - Z. "A" can be entered by pressing digit 2 once and "Z" can be entered by pressing digit 9 for four times.
6. Press STORE again to save the phone number and name. Display will show **OK** to confirm.

## **Adding a Pause to the Dialing Sequence**

Use the #/PAUSE button to insert a delay in the dialing sequence when storing a number, for example, when you need to dial 9 to get an outside line.

Pause function is enabled when the #/PAUSE button is pressed and held for 2 seconds.

Press and hold #/PAUSE button at the point in the dialing sequence in which a pause is required.

The pause time is approximately four seconds, if additional time is needed, press and hold the #/PAUSE button again.

## **Changing a Stored Number**

Follow the same steps as "Storing a Number into Memory." The new numbers will overwrite the existing numbers.

## **Dialing a Number from Memory**

You can dial numbers from memory when using the handset or speakerphone. When you get a dial tone, press the DIAL button followed by the memory location (0-9) for the number you want to dial.

## **Dialing the Emergency Quick Dial Numbers**

If you have previously programmed your Emergency Quick Dial numbers, you only need to press the button after you get a dial tone.

## Chain Dialing from Memory

Use this feature to make calls which require a sequence of numbers, for instance if you use a calling card for a frequently called long distance number. By dialing each part of the sequence from memory. The following example shows how you can use chain dialing to make a call through a long distance service:

<b><i>The Number For</i></b>	<b><i>Memory Location</i></b>
Long Distance Access Number	1
Authorization Code	2
Frequently called long distance number	3

1. Press speaker (or pick up the handset).
2. Press the DIAL button and then press 1.
3. When you hear the access tone, press the DIAL button and then press 2.
4. At the next access tone, press the DIAL button and then 3.

# Troubleshooting Guide

---

## No dial tone

- Check installation:  
Make sure the telephone line cord is connected to the base unit and the wall phone jack.
  - Check the hook switch. Make sure it fully extends when the handset is lifted from the cradle.
  - You must have touch-tone service on your line to use this phone. If you do not know what type of service you have, check with the phone company.
  - Make sure speakerphone indicator comes on (if using speakerphone.)
  - Unplug the phone, wait 30 seconds, and plug the phone back in. Then lift the handset to check the dial tone.
  - Connect another phone to the same modular jack; if the second phone doesn't work, the problem might be with your wiring or local service.
  - Place the handset in the base for at least 20 seconds.
- 

## Phone doesn't ring

- Make sure ringer switch is set to LO or HI.
  - You may have too many extension phones on your line. Unplug some extension phones.
  - Check for a dial tone. If there is no dial tone, see solutions for "No dial tone."
-

## **Low handset or speaker volume**

- Check the receiver or speaker volume settings.
- 

## **Can't be heard by other party**

- Make sure phone cord is securely plugged in.
  - Make sure extension phones are on the hook at the same time you're using the phone. It is normal for the volume to drop when additional extension phones are used at the same time.
- 

## **Memory dialing**

- Make sure you entered numbers correctly.  
(See "Memory.")
  - Make sure the telephone is properly installed. Pick up the handset and listen for the dial tone. If you don't hear the dial tone, recheck or repeat the installation steps.
-

## **General Product Care**

---

To keep your telephone working and looking good, follow these guidelines:

- Avoid putting the phone near heating appliances and devices that generate electrical noise (for example, motors or fluorescent lamps ).
- DO NOT expose to direct sunlight or moisture.
- Avoid dropping the unit and other rough treatment.
- Clean with a soft cloth.
- Never use a strong cleaning agent or abrasive powder because this will damage the finish.
- Retain the original packaging in case you need to ship the phone at a later date.

## Warranty Assistance

---

If trouble is experienced with this equipment, for warranty information, please contact customer service at **1-800-448-0329**. If the equipment is causing harm to the telephone network, the telephone company may require that you disconnect the equipment until the problem is resolved.

Any unauthorized repairs, changes or modifications not expressly approved by Thomson Inc. could void the user's authority to operate this product. For instructions on how to obtain a replacement unit, refer to the warranty included in this guide or call customer service at **1-800-448-0329**.

Or refer inquiries to:

**Thomson Inc.**  
**Manager, Consumer Relations**  
**P O Box 1976**  
**Indianapolis, IN 46206**

Attach your sales receipt to this booklet for future reference or jot down the date this product was purchased or received as a gift. This information will be valuable if service should be required during the warranty period.

Purchase Date \_\_\_\_\_

Name of Store \_\_\_\_\_



# Limited Warranty

---

## What your warranty covers:

- Defects in materials or workmanship.

## For how long after your purchase:

- Two year, from date of purchase.  
(The warranty period for rental units begins with the first rental or 45 days from date of shipment to the rental firm, whichever comes first.)

## What we will do:

- Provide you with a new or, at our option, a refurbished unit. The exchange unit is under warranty for the remainder of the original product's warranty period.

## How you get service:

- Properly pack your unit. Include any cables, etc., which were originally provided with the product. We recommend using the original carton and packing materials.
- "Proof of purchase in the form of a bill of sale or receipted invoice which is evidence that the product is within the warranty period, must be presented to obtain warranty service." For rental firms, proof of first rental is also required. Also print your name and address and a description of the defect. Send via standard UPS or its equivalent to:

**Thomson Inc.  
11721 B Alameda Ave.  
Socorro, Texas 79927**

- Pay any charges billed to you by the Exchange Center for service not covered by the warranty.
- Insure your shipment for loss or damage. Thomson Inc. accepts no liability in case of damage or loss.
- A new or refurbished unit will be shipped to you freight prepaid.

**What your warranty *does not* cover:**

- Customer instruction. (Your Owner's Manual provides information regarding operating instructions and user controls. Any additional information, should be obtained from your dealer.)
- Installation and setup service adjustments.
- Batteries.
- Damage from misuse or neglect.
- Products which have been modified or incorporated into other products.
- Products purchased or serviced outside the USA.
- Acts of nature, such as but not limited to lightning damage.

## Product Registration:

- Please complete and mail the Product Registration Card packed with your unit. It will make it easier to contact you should it ever be necessary. The return of the card is not required for warranty coverage.

## Limitation of Warranty:

- **THE WARRANTY STATED ABOVE IS THE ONLY WARRANTY APPLICABLE TO THIS PRODUCT. ALL OTHER WARRANTIES, EXPRESS OR IMPLIED (INCLUDING ALL IMPLIED WARRANTIES OF MERCHANTABILITY OR FITNESS FOR A PARTICULAR PURPOSE) ARE HEREBY DISCLAIMED. NO VERBAL OR WRITTEN INFORMATION GIVEN BY THOMSON INC., ITS AGENTS, OR EMPLOYEES SHALL CREATE A WARRANTY OR IN ANY WAY INCREASE THE SCOPE OF THIS WARRANTY.**
- **REPAIR OR REPLACEMENT AS PROVIDED UNDER THIS WARRANTY IS THE EXCLUSIVE REMEDY OF THE CONSUMER. THOMSON INC. SHALL NOT BE LIABLE FOR INCIDENTAL OR CONSEQUENTIAL DAMAGES RESULTING FROM THE USE OF THIS PRODUCT OR ARISING OUT OF ANY BREACH OF ANY EXPRESS OR IMPLIED WARRANTY ON THIS PRODUCT. THIS DISCLAIMER OF WARRANTIES AND LIMITED WARRANTY ARE GOVERNED BY THE LAWS OF THE STATE OF INDIANA. EXCEPT TO THE EXTENT PROHIBITED BY APPLICABLE LAW, ANY IMPLIED WARRANTY OF MERCHANTABILITY OR FITNESS FOR A PARTICULAR PURPOSE ON THIS PRODUCT IS LIMITED TO THE APPLICABLE WARRANTY PERIOD SET FORTH ABOVE.**

### **How state law relates to this warranty:**

- Some states do not allow the exclusion nor limitation of incidental or consequential damages, or limitations on how long an implied warranty lasts so the above limitations or exclusions may not apply to you.
- This warranty gives you specific legal rights, and you also may have other rights that vary from state to state.

### **If you purchased your product outside the USA:**

- This warranty does not apply. Contact your dealer for warranty information.

## Accessory Information

---

DESCRIPTION	MODEL NO.
Vibrating Alert	5-2810
Power Adaptor	5-2784

To place order, have your Visa, MasterCard, or Discover Card ready and call toll-free **1-800-338-0376**.

A shipping and handling fee will be charged upon ordering. We are required by law to collect appropriate sales tax for each individual state, country, and locality to which the merchandise is being sent. Items are subject to availability.

# Index

---

## A

- Accessory
  - Information 45
- Adding a Pause to the Dialing Sequence 35
- Amplified Audio 23
- Answering a Call 21

## B

- Back & Side Views 12
- Base Layout 11
- Before You Begin 9

## C

- Call Waiting Caller ID 28
- Caller ID (CID) 27
- Caller ID Display Messages 31
- Chain Dialing from Memory 36
- Changing a Stored Number 35
- Connecting the Telephone 14
- Contrast 18

## D

- Deleting a CID Record 33
- Deleting All CID Records 33
- Dialing a CID Number 30
- Dialing a Number from Memory 35
- Dialing the Emergency Quick Dial Numbers 35
- Display Language 18

## E

- Equipment Approval Information 2

## F

- Flash 26

## G

- General Product Care 39

## H

- Handset 21
- Hearing Aid Compatibility (HAC) 5

# Index

---

- I**
- Important Installation
  - Guidelines 10
- Installation 10
- Installing Backup
  - Batteries 13
- Installing the Phone 13
- Interference
  - Information 4
- Introduction 8
- L**
- Licensing 5
- Limited Warranty 41
- Local Area Code 19
- M**
- Memory 34
- Mute 25
- N**
- Neckloop 25
- P**
- Parts Checklist 9
- Placing a Call 21
- R**
- Receiving CID Records 28
- Redial 26
- Reviewing CID Records 29
- S**
- Setting Up the User
  - Menu 16
- Speakerphone 20, 21, 22
- Storing a Number in
  - Memory 34
- Storing CID Records 28
- Storing CID Records in
  - Internal Memory 32
- T**
- Telephone Jack
  - Requirements 9
- Telephone Operation 20
- To Replace a Stored CID
  - Record 33
- Tone Equalizer 24
- Troubleshooting
  - Guide 37
- V**
- Vibrating Alert 26
- Volume 22
- W**
- Wall Mounting 17
- Warranty Assistance 40



Model 29579  
00019257 (Rev. 1 Dom E/S)  
07-32  
Printed in China

**Thomson Inc.**  
101 West 103rd Street  
Indianapolis, IN 46290-1102  
© 2007 Thomson Inc.  
Trademark(s) ® Registered  
Marca(s) Registrada(s)



# Modelo 29579

## Identificador de Llamada de Escritorio Teléfono con Altavoz con Volumen Amplificado y Control de Tono Guía del Usuario



# Información sobre la Aprobación de Equipo

El equipo de su teléfono está aprobado para la conexión con la red Telefónica Pública (Public Switched Telephone Network) y cumple con los requisitos establecidos en las secciones 15 y 68 de las Reglas y Regulaciones de la FCC y con los Requerimientos Técnicos para Equipos de Terminales Telefónicas (Technical Requirements for Telephone Terminal Equipment), publicado por ACTA.

## **1 Notificación a la Compañía Telefónica Local**

En la parte de abajo de este equipo hay una etiqueta que indica, entre otra información, el número de US y el Número de Equivalencia de Timbres (REN) para este equipo. Usted debe, cuando sea requerido, proveer esta información a su compañía telefónica.

El REN es útil para determinar el número total de artefactos que Ud. puede conectar a su línea telefónica, todavía asegurando que todos estos artefactos sonarán cuando se llame su número telefónico. En la mayoría de las áreas (pero no en todas), el total de los números REN de todos los artefactos conectados a una línea no debe exceder 5. Para estar seguro del número total de artefactos que Ud. pueda conectar a su línea (determinado por el REN), Ud. deberá ponerse en contacto con su compañía telefónica local.

Cualquier enchufe y conexión que se utilice para conectar este equipo al cableado del edificio y a la red telefónica, debe estar en conformidad con el reglamento de la FCC Parte 68 que ha sido adoptado por la ACTA. Un cable telefónico y un enchufe modular que han sido aprobados y están en conformidad con dicho reglamento han sido provistos con este producto. Están diseñados para ser conectados a un enchufe modular compatible, que también esté en conformidad. Para más detalles, vea las instrucciones para la instalación.

### **Notes**

- No se puede usar este equipo con un teléfono de previo pago proveído por la compañía telefónica.

- Las líneas compartidas son sujetas a las tarifas del estado, y por eso, es posible que Ud. no pueda usar su propio equipo telefónico si Ud. estuviera compartiendo la misma línea telefónica con otros abonados.
- Se debe notificar la compañía telefónica cuando se desconecte permanentemente su teléfono de la línea.
- Si su casa tiene algún equipo de alarma especial conectado a la línea telefónica, asegúrese que la instalación de este producto no desactive su equipo de alarma. Si usted tiene alguna pregunta sobre qué puede desactivar su equipo de alarma, consulte a su compañía telefónica o a un instalador calificado..

**El número de la US está ubicado en el fondo de la base**

**El numero REN esta ubicado en el fondo de la base.**

## 2 Derechos de la Compañía Telefónica

Si su equipo causase algún problema en su línea que pudiera dañar la red telefónica, la compañía telefónica siempre que sea posible le avisará de la posible interrupción temporal de su servicio. En caso que la compañía no pudiera avisarle de antemano y hubiera necesidad de tomar tal acción, la compañía telefónica podrá

**ADVERTENCIA: PARA PREVENIR EL RIESGO DE UNFUEGO O DE UNA SACUDIDA ELECTRICA, NO EXPONGA ESTE APARATO A LA LLUVIA O A LA HUMEDAD.**

 <p>EL RELÁMPAGO Y LA PUNTA DE FLECHA DENTRO DEL TRIANGULO ES UNA SEÑAL DE ADVERTENCIA, ALERTÁNDOLE A UD. DE QUE HAY 'VOLTAJE PELIGROSO' DENTRO DEL PRODUCTO.</p>	<p><b>ATTENTION:</b> RIESGO DE SACUDIDA ELÉCTRICA NO ABRA</p> <p>CUIDADO: PARA REDUCIR EL RIESGO DE UNA SACUDIDA ELÉCTRICA, NO quite LA CUBIERTA (O PARTE POSTERIOR) NO USE PARTES DE REPUESTO DENTRO. CONSULTE A ALGUNA PERSONA CALIFICADA DEL SERVICIO DE REPARACIONES.</p>	 <p>EL SIGNO DE EXCLAMACIÓN DENTRO DEL TRIANGULO ES UNA SEÑAL DE ADVERTENCIA, ALERTÁNDOLE A UD. DE QUE EL PRODUCTO, TRAE INCLUIDO, INSTRUCCIONES MUY IMPORTANTES.</p>
<p>VEA ADVERTENCIA EN LA PARTE POSTERIOR/BASE DEL PRODUCTO.</p>		

interrumpir su servicio inmediatamente. En caso de tal interrupción telefónica temporal la compañía debe : (1) darle aviso al momento de tal interrupción temporal de servicio, (2) concederle a Ud. la oportunidad de corregir la situación, (3) informarle a Ud. de sus derechos de presentar una queja a la Comisión de acuerdo con los procedimientos dictados en la Subparte E de la Parte 68 de las Regulaciones y Reglas de la FCC.

La compañía telefónica puede hacer los cambios en sus instalaciones de comunicación, en equipos, en sus funcionamientos o procedimientos que digne necesarios para el manejo de sus negocios y que no sean incompatibles con las Reglas y Regulaciones de la FCC. Si estos cambios pudieran alterar el uso o el funcionamiento de su equipo telefónico, la compañía telefónica deberá darle aviso adecuado en escrito para que Ud. goce de un servicio ininterrumpido.

## **Información de Interferencias**

Este artefacto cumple con la Parte 15 de las Reglas de la FCC. Su funcionamiento es sujeto a las dos condiciones siguientes: (1) Este artefacto no puede causar interferencia dañosa, y (2) Este artefacto debe aceptar cualquier interferencia recibida, incluyendo interferencia que puede causar un funcionamiento no deseado.

Este equipo ha sido probado y cumple con los límites para un artefacto digital de la Clase B, de conformidad con la Parte 15 de las Reglas de la FCC. Estos límites han sido diseñados para proporcionar una protección razonable contra una interferencia dañosa que pueda existir en una instalación doméstica.

Este equipo genera, usa y puede radiar la energía de frecuencia de una radio y, si no fuera instalado y usado de acuerdo con las instrucciones, puede causar interferencia dañosa a las transmisiones radiales. Sin embargo, no hay garantía que la interferencia no ocurrirá en una instalación en particular.

La aislamiento de comunicaciones no puede ser asegurada al usar este producto.

Si este equipo causa en efecto una interferencia dañosa a la recepción de la radio o de la televisión, lo cual puede ser determinado apagando y prendiendo el equipo, le animamos a Ud. de tratar de corregir la interferencia por medio de una (o más) de las sugerencias siguientes:

- Cambie la posición o la ubicación de la antena (quiere decir la antena de la radio o de la televisión que está recibiendo la interferencia).
- Cambie la posición o cambie la ubicación y aumente la distancia entre el equipo de telecomunicaciones y la antena receptora de la radio o de la televisión que está recibiendo la interferencia.
- Conecte el equipo de telecomunicaciones a una toma en un circuito diferente del circuito al cual la antena receptora esté conectada.

Si estas medidas no eliminan la interferencia, favor de consultar a su distribuidor o a un técnico de radio/televisión experto por otras sugerencias. También, la Comisión Federal de Comunicaciones (FCC) ha preparado un folleto muy útil, "How To Identify and Resolve Radio/TV Interference Problems" ("Como Identificar y Resolver Problemas de Interferencia de Radio/Televisión"). Este folleto se puede obtener del U.S. Government Printing Office, Washington, D.C. 20402. Favor de especificar el número 004-000-00345-4 cuando haga su pedido.

**Aviso:** Los cambios o las modificaciones no no expreso aprobados por el partido responsable de conformidad podían anular la autoridad del usuario para funcionar el equipo.

## **Compatibilidad con Audífonos (CCA)**

Se juzga que este teléfono es compatible con audífonos, en base a las normas de la FCC.

## **Licensing**

Con licencia bajo la patente US 6,427,009

# Tabla de Contenido

---

<b>INFORMACIÓN SOBRE LA</b>	<b>IDIOMA DE VISUALIZACIÓN ....</b>	<b>18</b>
<b>APROBACIÓN DE EQUIPO ...</b>	<b>CONTRASTE.....</b>	<b>18</b>
<b>INFORMACIÓN DE</b>	<b>CÓDIGO DE AREA LOCAL.....</b>	<b>18</b>
<b>INTERFERENCIAS .....</b>	<b>OPERACIÓN BÁSICA DEL</b>	
<b>COMPATIBILIDAD CON AUDÍFONOS</b>	<b>TELÉFONO .....</b>	<b>19</b>
<b>(CCA).....</b>	<b>ALTAVOZ.....</b>	<b>19</b>
<b>LICENSING .....</b>	<b>PARA HACER UNA LLAMADA</b>	<b>20</b>
<b>INTRODUCCIÓN .....</b>	<b>AURICULAR .....</b>	<b>20</b>
<b>ANTES DE COMENZAR.....</b>	<b>ALTAVOZ.....</b>	<b>20</b>
<b>LISTA DE PARTES.....</b>	<b>PARA CONTESTAR UNA</b>	
<b>REQUERIMIENTOS PARA</b>	<b>LLAMADA .....</b>	<b>21</b>
<b>ENCHUFE TELEFÓNICO.....</b>	<b>AURICULAR .....</b>	<b>21</b>
<b>INSTALACIÓN .....</b>	<b>ALTAVOZ.....</b>	<b>21</b>
<b>INFORMACIÓN IMPORTANTE</b>	<b>VOLUMEN.....</b>	<b>22</b>
<b>PARA LA INSTALACIÓN .....</b>	<b>AUDIO AMPLIFICADO .....</b>	<b>22</b>
<b>FORMATO DE LA BASE.....</b>	<b>ECUALIZADOR DE TONOS.....</b>	<b>24</b>
<b>VISTAS TRASERA Y LATERAL....</b>	<b>RECEPTÁCULO PARA CABLE DE</b>	
<b>INSTALAR EL TELÉFONO.....</b>	<b>AURICULAR MANOS</b>	
<b>INSTALACIÓN DE LAS BATERÍAS</b>	<b>LIBRES.....</b>	<b>24</b>
<b>DE RESPALDO.....</b>	<b>MUTA.....</b>	<b>25</b>
<b>PARA CONECTAR LA</b>	<b>ALERTA VIBRATORIA .....</b>	<b>25</b>
<b>TELEFÓNICA .....</b>	<b>SERVICIOS ESPECIALES.....</b>	<b>25</b>
<b>CONFIGURANDO EL MENÚ</b>	<b>VOLVER A MARCAR.....</b>	<b>26</b>
<b>USUARIO.....</b>		
<b>MONTAJE EN LA PARED.....</b>		

# Tabla de Contenido

---

<b>IDENTIFICADOR DE LLAMADA (CID).....</b>	<b>27</b>	<b>MEMORIA .....</b>	<b>35</b>
LLAMADA EN ESPERA		PARA ALMACENAR UN NÚMERO EN LA MEMORIA.....	35
IDENTIFICADOR DE LLAMADA.....	28	CÓMO INTRODUCIR UNA PAUSA EN LA SECUENCIA DE MARCAR .....	36
RECEPCIÓN DE REGISTROS CID.....	28	CÓMO CAMBIAR UN NÚMERO ALMACENADO .....	36
PARA ALMACENAR REGISTROS CID (EN MEMORIA CID)...	29	CÓMO MARCAR UN NÚMERO DE LA MEMORIA.....	37
PARA REVISAR REGISTROS CID.....	29	PARA MARCAR LOS NÚMEROS DE MARCACIÓN RÁPIDA DE EMERGENCIA.....	37
MARCACIÓN DE UN NÚMERO CID.....	30	CÓMO MARCAR EN CADENA DESDE LA MEMORIA.....	37
MENSAJES EN LA PANTALLA DEL IDENTIFICADOR DE LLAMADAS .....	32	<b>SOLUCIÓN DE PROBLEMAS ....</b>	<b>38</b>
PARA ALMACENAR REGISTROS CID EN MEMORIA INTERNA.....	33	<b>CUIDADO GENERAL DEL PRODUCTO .....</b>	<b>40</b>
PARA REEMPLAZAR UN REGISTRO CID		<b>AYUDA DE LA GARANTÍA .....</b>	<b>41</b>
ALMACENADO .....	34	<b>GARANTÍA LIMITADA.....</b>	<b>42</b>
PARA ELIMINAR UN REGISTRO CID.....	34	<b>INFORMACIÓN DE ACCESORIOS .....</b>	<b>45</b>
PARA ELIMINAR TODOS LOS REGISTROS CID .....	35	<b>ÍNDICE .....</b>	<b>46</b>

# Introducción

---



**CUIDADO:** Cuando utilice equipo telefónico, hay instrucciones básicas de seguridad que siempre deben seguirse. Refiérase a la guía de **INSTRUCCIONES DE SEGURIDAD IMPORTANTES** provista con este producto y guárdela para referencia futura.

Este teléfono está diseñado para aquellos individuos con pérdida auditiva de leve a severa. La unidad está diseñada para controlar el volumen del teléfono así como las frecuencias que se adapten mejor a su oído. Tiene tres botones de control de intensidad que le permiten personalizar el teléfono según su preferencia. El ecualizador está configurado a 600 Hz, 1.2 KHz y 2.4 kHz.

El teléfono está diseñado con características únicas para proteger los oídos en su familia. Usted podrá alternar entre modos de amplificación manual y automáticos para proteger su oído de la exposición a niveles de sonido peligrosos.

Favor de leer este manual muy cuidadosamente antes de usar su 29579 y consérvelo para futuras referencias. Si usted tiene alguna pregunta o problema, consulte la solución en la sección Tips para Solución de Problemas.



# Antes de Comenzar

---

## Lista de Partes

Asegúrese de que su paquete incluye los artículos mostrados aquí.



Base



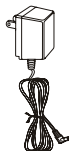
Auricular



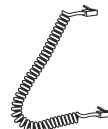
Cable de línea telefónica



Alerta Vibratoria



Adaptador de corriente CA



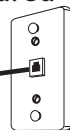
Cable del auricular

## Requerimientos Para Enchufe Telefónico

Para utilizar este teléfono, usted puede necesitar un enchufe modular telefónico tipo RJ11C como el ilustrado aquí, instalado en su hogar. Si usted no tiene este tipo de enchufe, llame a su compañía telefónica local para preguntar cómo conseguirlo.

Placa de pared

Enchufe telefónico modular



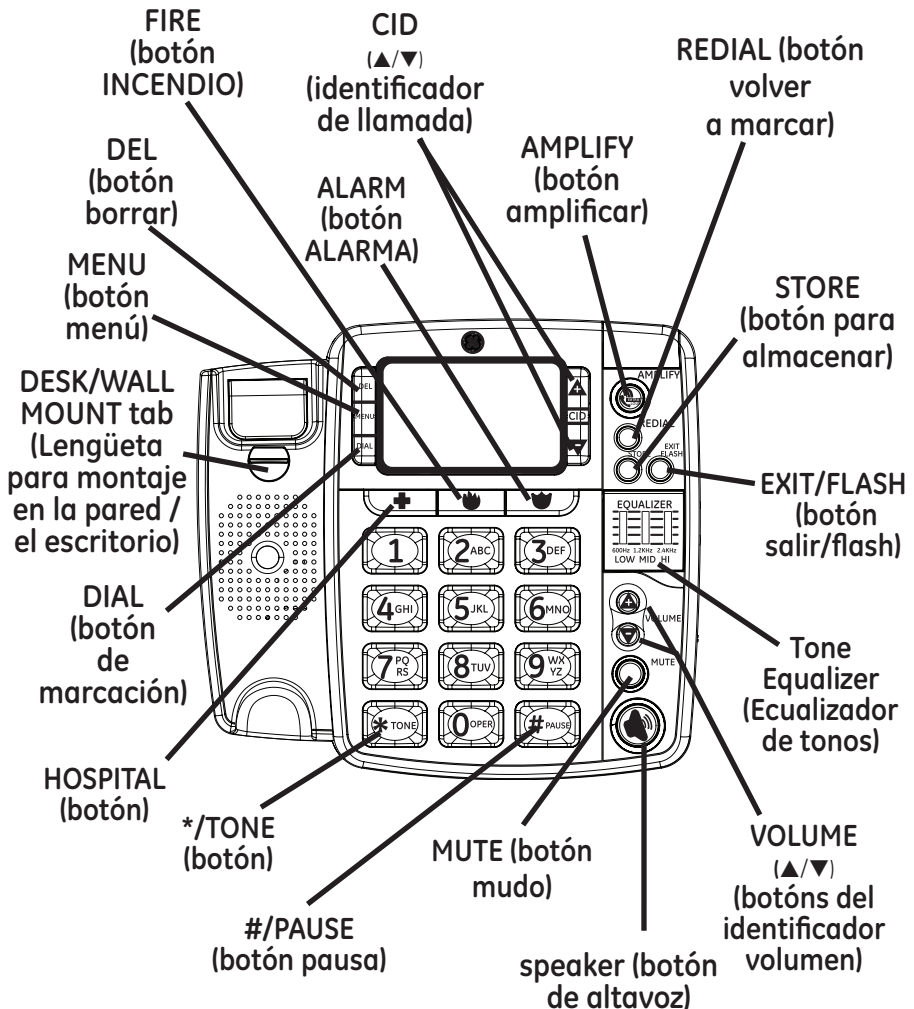
# Instalación

---

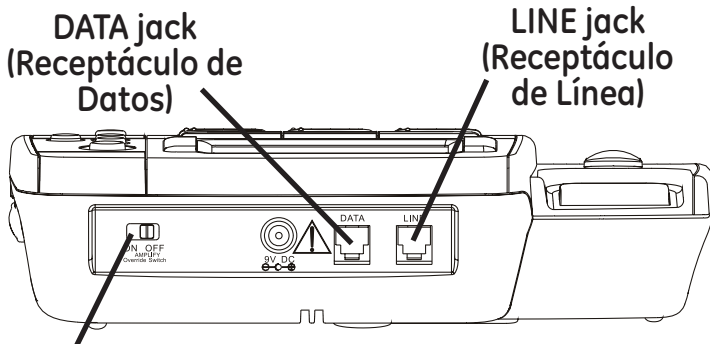
## Información Importante para la Instalación

- Evite fuentes de ruido, como una ventana que dé a una calle con mucho tráfico, un ruido eléctrico, como motores, hornos de microondas, o luces fluorescentes.
- Evite áreas con humedad excesiva o temperaturas demasiado bajas.
- Evite los teléfonos inalámbricos o las computadoras personales.
- Nunca instale cableado telefónico durante una tormenta de relámpagos.
- Nunca instale enchufes telefónicos en localizaciones mojadas a menos que el enchufe haya sido diseñado específicamente para localizaciones mojadas.
- Nunca toque cables o terminales no aislados, a menos que la línea telefónica haya sido desconectada en la interfaz de la red.
- Utilice precaución cuando instale o modifique líneas telefónicas.

# Formato de la Base



# Vistas Trasera y Lateral



**DATA jack**  
(Receptáculo de Datos)

**LINE jack**  
(Receptáculo de Línea)

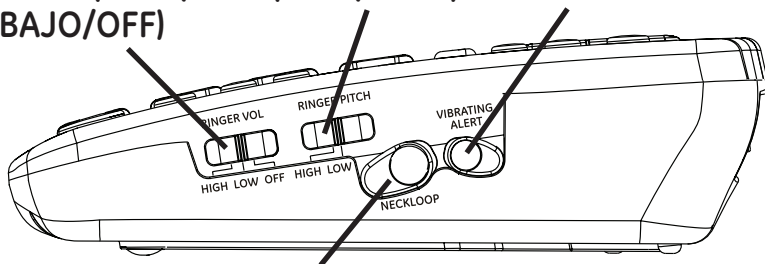
**AMPLIFY Override Switch**  
(Modificación de Volumen)

**(VISTA TRASERA)**

**Interruptor de VOLUMEN DE TIMBRE (ALTO/BAJO/OFF)**

**Interruptor de INTENSIDAD DE TIMBRE (ALTA/BAJA)**

**VIBRATING ALERT jack (Receptáculo de Alerta Vibratoria)**



**NECKLOOP jack**  
(Receptáculo para cable de auricular manos libres)

**(VISTA LATERAL)**

# Instalar el Teléfono

---

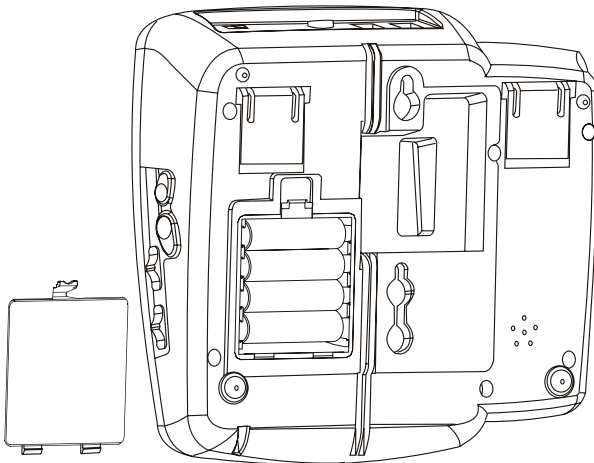
## Instalación de las Baterías de Respaldo

 **PRECAUCION:** Desconecte el cable del teléfono de la toma de la pared antes de instalar o reemplazar las baterías.

En caso de un corte de corriente, el teléfono usa 4 baterías alcalinas AA para energía de respaldo para las funciones de amplificación de voz entrante y timbre visual.

**NOTA:** Si no hay baterías instaladas, el icono baterías bajas parpadeará.

1. Desconecte el adaptador de corriente y la línea telefónica antes de instalar las baterías.
2. Voltee con cuidado el teléfono, y libere el pestillo en el compartimiento de baterías y remueva la cubierta.



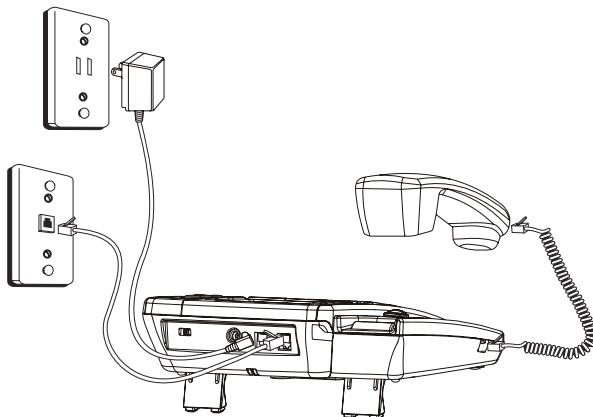
3. Inserte 4 baterías alcalinas tamaño AA como se muestra en el diagrama en el compartimiento de las batería.
4. Inserte la puerta del compartimiento de las baterías de regreso en su lugar.
5. Vuelva a conectar el adaptador de corriente y el cable de la línea telefónica a la unidad.

**NOTA: Retire las baterías si almacena la unidad por más de 30 días para evitar daño en el caso de baterías con fuga.**

## Para Conectar la Telefónica

**NOTA: El aparato viene del fabricante para ser colocado sobre superficies planas.**

1. Elija un área cerca de una toma de corriente eléctrica y de un receptáculo de pared de teléfono (RJ11C), y coloque su teléfono inalámbrico sobre una superficie nivelada, tal como un escritorio o una mesa, o usted puede montarlo en la pared.



2. Conecte el adaptador de corriente CA en la toma de corriente eléctrica y el conector CD en el receptáculo en la parte posterior de la base.



**CUIDADO: Para reducir el riesgo de lesión personal, fuego, o daño use solamente el adaptador de corriente 5-2784 listado en la guía del usuario. Este adaptador de corriente es diseñado para estar orientado correctamente en una posición de montaje vertical o en el piso.**

3. Usted puede extender el soportes en la parte inferior de la base para un mejor ángulo de visión cuando se coloque en el escritorio.
4. Conecte un extremo del cable del auricular enrollado al receptáculo del auricular.
5. Conecte el otro extremo del cable del auricular enrollado al receptáculo en la base.
6. Asegúrese de que la pestaña de montaje ESCRITORIO/ PARED esté girada a la posición ESCRITORIO y coloque el auricular en la base.
7. Ajuste el interruptor de VOLUMEN DEL RECEPTOR DEL AURICULAR en el nivel de escucha deseado en: ALTO, MEDIO O BAJO.

## Configurando el Menú Usuario

**NOTA: Usted no deberá conectar el teléfono en el receptáculo modular mientras está configurando el Menú Usuario.**

1. Presione el botón MENU, para acceder el modo configuración de características de menú.
  - # 1. >ENG FRA ESP (Inglés de forma predeterminada)
  - # 2. CONTRASTE (el nivel predeterminado es 3).
  - # 3. CODIGO DE AREA LOCAL
2. Presione el botón MENU para desplazarse a través de las 3 pantallas de menú.
3. Use los botones CID (▲ ó ▼) para seleccionar la opción deseada.

**NOTA: Usted tiene 20 segundos después de una entrada antes de que el teléfono regrese a la Pantalla de Resumen.**

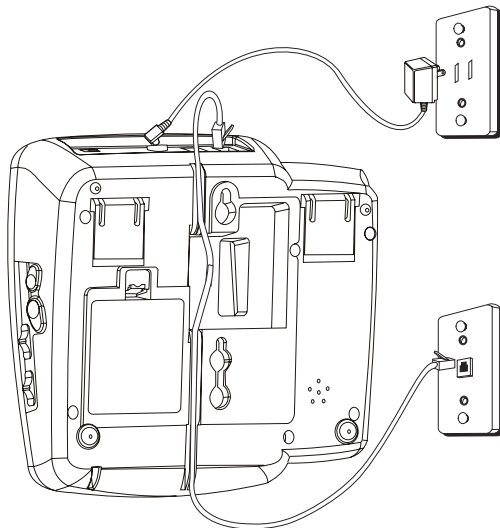
4. Conecte un extremo del cable de la línea telefónica en el receptáculo de Línea en la parte posterior de la base y el otro extremo en un receptáculo modular.
5. Si usted tiene otro dispositivo (ejemplo, un teléfono auxiliar adicional o un módem de datos) que necesite estar conectado a la unidad, por favor conéctelo al receptáculo de Datos en la parte posterior de la unidad.

La unidad está adecuadamente instalada si usted levanta el auricular y escucha del tono demarcación. Si usted no escucha un tono de marcación vuelva a verificar todos los pasos de instalación.



## Montaje en la Pared

1. Conecte el adaptador de corriente CA en la toma eléctrica y el conector CD en el receptáculo en la parte posterior de la base.
2. Conecte un extremo del cable recto de la línea telefónica en el receptáculo en la parte inferior de la base.
3. Cierre los soportes en la parte inferior de la unidad base si usted los ha abierto antes.
4. Inserte el cable de la línea a través de la ranura y conecte el extremo en el receptáculo de teléfono modular.
5. Inserte los orificios de montaje (en la parte inferior de la base) sobre los postes de la placa de la pared y deslice firmemente en la unidad hacia abajo en su lugar.
6. Asegúrese de que la pestaña de MONTAJE ESCRITORIO/PARED esté girada a la posición PARED.



## Idioma de Visualizacion

Este ajuste le permite visualizar las solicitudes de comando de Identificador de Llamada en inglés, francés, o español.

1. Presione el botón MENU hasta que **ENG FRA ESP** aparezca en la pantalla.
2. Use el botón CID (▲ ó ▼) para seleccionar ENG, FRA, o ESP.
3. Presione el botón MENU otra vez para guardar.

## Contraste

Este ajuste le permite ajustar el contraste de la pantalla.

1. Presione el botón MENU hasta que **CONTRASTE** se muestre en la pantalla.
2. Use el botón CID (▲ ó ▼) para seleccionar nivel 1, 2, 3, ó 4.
3. Presione el botón MENU otra vez para guardar.

## Código de Area Local

El teléfono usa los códigos de área programados para determinar el formato de número a visualizar cuando una señal de identificador de llamada válida sea recibida. Los números que coincidan con el código de área local se visualizan como números de siete dígitos y son usados para marcar y devolver la llamada a números previos. Ingresar su código de área local le ayudará también inmediatamente a saber si la llamada es local o de larga distancia al ver los registros CID en la pantalla.

**NOTA: Si usted comete un error y quiere volver a comenzar, presione el botón DEL para borrar todos los dígitos.**

1. Presione el botón MENU hasta que CODIGO DE AREA LOCAL se muestre en la pantalla.
2. Use el botón CID (▼) para seleccionar el número correcto o ingrese directamente usando el teclado numérico.
3. Use el botón CID (▲) para moverse a las ubicaciones de segundo y tercer dígito para efectuar sus selecciones.
4. Presione el botón MENU para guardar.

## **Operación Básica del Teléfono**

---

### **Altavoz**

Para la operación a manos libres y para su conveniencia, este aparato está equipado con un altavoz

Para el mejor funcionamiento del altavoz, evite lo siguiente:

- Áreas con mucho ruido de fondo. (El micrófono puede recoger estos sonidos y evita que el altavoz se cambie a modalidad para recibir cuando usted termina de hablar).
- Superficies afectadas por vibración.
- Áreas remetidas, como una esquina, abajo de una gaveta, o junto a un gabinete, los cuales pueden generar un efecto de eco.

## **Siga las siguientes pautas cuando utilice el altavoz:**

- El teléfono con altavoz funciona de manera similar a un radio de dos vías en cuanto a que usted solamente puede escuchar o hablar a la vez.
- Permanezca razonablemente cerca del teléfono de manera que usted pueda ser escuchado claramente por la persona con quien está hablando.
- Usted puede ajustar el volumen del altavoz ajustando los botones de volumen (▲ ó ▼) ("VOLUME"), mientras el altavoz está en uso.
- El indicador del teléfono con altavoz se ilumina cuando el altavoz está en uso.

## **Para Hacer Una Llamada**

### **Auricular**

1. Levante el auricular y escuche para ver si hay tono de marcar.
2. Marque el número al que usted quiera llamar.
3. Cuando haya terminado, cuelgue el auricular.

### **Altavoz**

1. Presione el botón de altavoz ("speaker") en la base y escuche para ver si hay tono de marcar.
2. Marque el número al que usted quiera llamar.
3. Cuando haya terminado, presione el botón de altavoz ("speaker") para colgar.

## Para Contestar una Llamada

**NOTA:** Asegúrese de que el interruptor del timbre esté establecido en ALTO (HI) o BAJO (LO), o el teléfono no sonará. El indicador de timbre visual parpadeará en todas las selecciones.

### Auricular

1. Cuando el teléfono timbre, levante el auricular.
2. Cuando haya terminado, cuelgue el auricular.

### Altavoz

1. Cuando el teléfono timbre, presione el botón de altavoz ("speaker") para contestar la llamada.
2. Cuando haya terminado, presione nuevamente el botón de altavoz ("speaker") para colgar.

Usted puede alternar entre altavoz y auricular durante el proceso de marcado o en cualquier momento durante una conversación.

**Altavoz a Auricular-** Levante el auricular para desactivar el altavoz. El indicador del altavoz se apaga.

**Auricular a Altavoz-** Presione el botón de altavoz ("speaker"), y después cuelgue el auricular. El indicador del altavoz se ilumina y el auricular se desactiva.

## Volumen

Usted puede controlar el volumen, tanto del auricular como del altavoz.

Al usar el auricular o el altavoz, usted puede ajustar el volumen al nivel de escucha deseado usando los botones de volumen (▲ ó ▼) ("VOLUME"). El volumen del auricular tiene 4 niveles para ajuste y el volumen del altavoz tiene 8 niveles.

## Audio Amplificado

Usted puede presionar el botón AMPLIFY para realzar temporalmente el volumen del receptor del auricular durante una llamada. Para regresar a los niveles normales, presione otra vez el botón. Los niveles de volumen regresarán también al estado normal cuando el auricular sea colocado nuevamente en la base después de una llamada.

El botón AMPLIFY controla el nivel de volumen incrementado y el ecualizador de tonos del auricular.

1. Presione el botón VOLUME (▲ ó ▼) para mínimo, levante el auricular y presione el botón amplify para activar el amplificador de voz entrante. El indicador alrededor del botón se ilumina.

2. Ajuste el volumen presionando el botón VOLUME (▲ ó ▼). Cuando el botón AMPLIFY es presionado, un nivel extra de volumen amplificado es añadido suministrando hasta 40 decibeles de ganancia y control de nivel. En uso estándar, el amplificador se apaga cuando usted cuelga el teléfono. Si usted quiere activar el amplificador cuando levante el auricular, deslice el interruptor Modificar Volumen (AMPLIFY Override) en la parte posterior de la unidad a la posición ON.

**NOTA: La característica AMPLIFICAR es posible en el modo Auricular y Altavoz.**



**ADVERTENCIA: Este producto está diseñado para usuarios con discapacidad del oído y amplifica automáticamente el volumen al nivel más alto cuando el interruptor de modificación de volumen está establecido en la posición "ON". Si usted desea evitar la amplificación automática, por favor coloque el interruptor de modificación de restauración de volumen ubicado en la parte posterior del equipo en la posición "OFF".**

## **Ecualizador de Tonos**

El ecualizador de tonos de 3 bandas del teléfono realiza el sonido de los tres rangos de frecuencia (600Hz, 1.2KHz, 2.4KHz) para compensar la limitada sensibilidad del oído en estos rangos.

1. Para activar el ecualizador, presione el botón AMPLIFY después de levantar el auricular, o en cualquier momento durante una llamada. El indicador alrededor del botón se ilumina.
2. Para ajustar la configuración abra la cubierta del ecualizador. Deslice cada interruptor hacia "+" para aumentar o amplificar los sonidos, ó hacia "-" para disminuir el sonido dentro de ese rango específico.
3. Para apagar el ecualizador presione el botón AMPLIFY y la luz del indicador se apaga.

## **Receptáculo para Cable de Auricular Manos Libres**

La unidad está equipada también con el receptáculo para cable de auricular manos libres de 3.5 mm para un dispositivo manos libres opcional (a ser comprado por separado). Cuando el dispositivo manos libres sea conectado, la señal de audio a la pieza auditiva del auricular será transferida al dispositivo manos libres. Ninguna salida en la pieza auditiva del auricular será escuchada.



**NOTA: La inserción dispositivo de auricular manos libres no afectará el comportamiento del Altavoz de la Unidad Base o la recepción del micrófono del Auricular.**

## **Muta**

Use el botón MUTE para interrumpir una conversación telefónica para hablar privadamente con alguien más en la habitación. Una conversación puede ser silenciada mientras usar el altavoz, el auricular, o el dispositivo manos libres.

1. Presione el botón MUTE. El indicador silenciar se ilumina.
2. Presione otra vez MUTE para apagarlo.

**NOTA: Cambiar del altavoz al auricular cancela el silenciamiento.**

## **Alerta Vibratoria**

La unidad está equipada con un receptáculo para dispositivo vibratorio de 2.5 mm para una almohadilla vibratoria opcional para alertarle cuando el teléfono esté timbrando. Simplemente conecte la almohadilla vibratoria en el receptáculo. Cuando el teléfono timbre, la almohadilla vibrará con cada timbre del teléfono.

## **Servicios Especiales (“FLASH”)**

Presione el botón de servicios (EXIT/FLASH) para activar los servicios especiales como llamada en espera o transferencia de llamada, que le son provistos por su compañía telefónica local.

## Volver a Marcar (“REDIAL”)

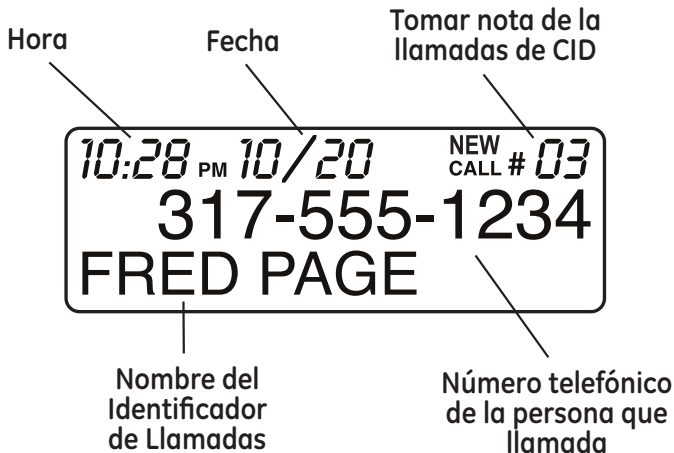
Usted puede marcar el último número marcado simplemente oprimiendo el botón para volver a marcar (REDIAL) después de que usted recibe un tono de marcar.

**NOTA: La función de Volver a Marcar (REDIAL) retiene en la memoria el último número que usted marcó (hasta 32 dígitos). Si usted oprimió cualquier tecla después de marcar el número telefónico (por ejemplo, para tener acceso a un sistema de menú de voz), esos números también serán marcados).**

# Identificador de Llamada (CID)

**IMPORTANTE:** Para usar las características de Identificador de Llamada de esta unidad, usted debe suscribirse a alguno de los servicios estándar de Identificador de Llamada Nombre/Número o al Identificador de Llamada y Llamada en Espera. Para saber quién está llamando cuando usted está en el teléfono, usted debe suscribirse al Servicio de Identificador de Llamada y Llamada en Espera.

Esta unidad recibe y visualiza información transmitida por su compañía telefónica local. Esta información puede incluir el número de teléfono, fecha, y hora; o el nombre, número de teléfono, fecha, y hora.



## **Llamada en Espera Identificador de Llamada**

Suponiendo que usted está suscrito al servicio de Identificador de Llamada en Espera a través de su compañía telefónica; si usted recibe una llamada entrante y usted está ya en el teléfono, una señal sonora indica que la presencia de Llamada en Espera llamada invita la línea. Solamente el auricular que está en uso a la hora de la llamada exhibirá y almacena la información de la identificación de llamador el esperar de llamada.

- Cuando usted escuche el bip de llamada en espera en el auricular que recibe, presione el botón EXIT/FLASH para colocar la llamada actual en retención y responder la llamada entrante. Presione el botón EXIT/FLASH otra vez para regresar a la llamada original.

## **Recepción de Registros CID**

Cuando usted recibe una llamada, la información de Identificador de Llamada es transmitida entre el primero y segundo timbres. La información de Identificador de Llamada aparece en la pantalla mientras el teléfono timbra, dándole una oportunidad para monitorear la información y decidir si o no responder la llamada.

## Para Almacenar Registros CID (En Memoria CID)

Si usted no está en casa o no puede responder, la memoria de Identificador de Llamada de su teléfono almacena los datos para las 70 llamadas más recientes que usted recibió, de manera que usted pueda ver quién llamó mientras estaba fuera. Cuando la llamada 71a. sea recibida, el registro de Identificador de Llamada más antiguo (la primera llamada) es borrado automáticamente.

Usted puede recibir la información almacenada en cualquier momento. Las llamadas recibidas desde su última revisión se muestran como **NUEVAS** en la pantalla.

## Para Revisar Registros CID

Conforme las llamadas son recibidas y almacenadas, la pantalla es actualizada para hacerle saber cuántas llamadas se han recibido. Para desplazarse a los registros CID:

1. Asegúrese de que el teléfono esté en **OFF** (no en el modo hablar).
2. Presione el botón CID (▼) para revisar el registro CID más nuevo.
3. Presione el botón CID (▲) para revisar primero el registro CID más antiguo.

## Marcación de un Número CID

1. Asegúrese de que el teléfono esté en **OFF** (no en modo HABLAR).
2. Use el botón CID (▲ ó ▼) para mostrar el registro deseado.
3. Presione el botón DIAL y la pantalla mostrará **TOMAR TELEFONO**. Usted puede ya sea levantar el receptor del auricular o presionar el botón speaker. El número será marcado automáticamente y **MARCANDO AHORA** se mostrará mientras el número está siendo marcado.

**NOTA: Dependiendo de (a) cómo está formateado el número de teléfono de la persona que llama y realiza la llamada entrante cuando esta es recibida, y (b) si o no usted pre-programó previamente su código de área local en el menú de configuración, puede ser que usted necesite ajustar el formato del número de teléfono almacenado de la persona que llama y realiza la llamada entrante antes de efectuar la llamada, presione el botón dial para ajustar el número, e intente otra vez. *PICKUP* or *ADJ* se visualizará cuando usted esté cambiando el formato de número de teléfono.**

Los formatos disponibles incluyen:

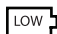
<i>Número de dígitos</i>	<i>Explicación</i>	<i>Ejemplo</i>
<b>Once dígitos</b>	clave de larga distancia "1" +3-dígitos de clave de área +7-dígitos de número telefónico.	1-317-888-8888
<b>Ten dígitos</b>	3-dígitos de clave de área + 7-dígitos de número telefónico.	317-888-8888
<b>Seven dígitos</b>	7-dígitos de número telefónico.	888-8888

# Mensajes en la Pantalla del Identificador de Llamadas

Los siguientes mensajes especiales indican el estado actual de un mensaje o del aparato:

**LLAMADA BLOQUEADA** La persona haciendo la llamada entrante está registrada como “Número Privado” y sus datos de Identificador de Llamadas no serán revelados.

**LLAMA EN ESPERA** Indica que una llamada está esperando en la línea.

 **ON** permanente cuando el nivel de energía de la batería está bajo; parpadeando cuando no hay baterías instaladas.

**NO LLAMDA PRINCIPIO/FINAL** Indica que no se han recibido llamadas. Usted está al principio o al final del registro del Identificador de Llamadas. El poder de la batería está bajo.

**DESCONOCIDA** La llamada entrante no tiene servicio de Identificador de Llamadas o su área de servicio no está conectada con la suya. Si la indicación **DESCONOCIDO** aparece junto con el número que llama, la información del nombre para ese número no estaba disponible.



## Para Almacenar Registros CID en Memoria Interna

Usted puede también almacenar información CID en la memoria interna del teléfono.

**NOTA: Es importante que usted formatee correctamente los registros CID ANTES de almacenarlos en memoria interna ya que usted no puede reformatear registros CID almacenados en memoria.**

1. Asegúrese de que el teléfono esté en **OFF** (no en modo hablar).
2. Use el botón CID (▲ ó ▼) para desplazarse al registro CID deseado.
3. Presione el botón STORE y el LCD mostrará **UBICACION ?**.
4. Use el teclado de tonos para ingresar una ubicación de memoria (0-9) o Número de Emergencia MA, MB, o MC para almacenar el número en esa ubicación de memoria. Usted escuchará un tono de confirmación y la pantalla mostrará la ubicación en memoria y el número de teléfono que está siendo almacenado en memoria.
5. Presione el botón STORE tres veces para guardar el número de teléfono, el nombre de la persona que llama y la pantalla mostrará **OK** para confirmación.

**NOTA: Presione el botón EXIT/FLASH una vez para mantener la configuración previa (para no hacer cambios) y regresar al menú.**

**NOTA:** Si el registro CID seleccionado contiene alguna información que no sea numérica, la unidad no permitirá que este registro sea transferido a la memoria del usuario interna. El auricular visualizará *UNABLE TO STORE*.

## **Para Reemplazar un Registro CID Almacenado**

Repita el Paso 1 al Paso 5 en “Para Almacenar Registros CID en Memoria Interna”.

## **Para Eliminar un Registro CID**

1. Asegúrese de que el teléfono esté en **OFF** (no en modo HABLAR).
2. Use el botón CID (▲ ó ▼) para mostrar el registro CID que usted quiere eliminar.
3. Presione el botón DEL para eliminar un registro CID. El siguiente registro ID de la persona que llama se muestra en la pantalla.

**NOTA:** Presione el botón EXIT/FLASH para regresar al modo en espera.

## Para Eliminar Todos los Registros CID

1. Asegúrese de que el teléfono esté en **OFF** (no en modo HABLAR).
2. Use el botón CID (▲ ó ▼) para visualizar algún registro de ID de Llamada.
3. Presione y sostenga el botón DEL hasta que **ELIMNAR TODO?** se muestre en la pantalla.
4. Presione el botón DEL otra vez para borrar todos los registros. La pantalla muestra **NO HAY LLAMADAS**.

**NOTA: Presione el botón EXIT/FLASH para regresar al modo en espera.**

## Memoria

---

Almacene hasta 13 números en memoria para marcación fácil. Tres pueden ser almacenados en las ubicaciones de Marcación Rápida de Emergencia, y diez números adicionales en las teclas numeradas (0-9).

## Para Almacenar un Número en la Memoria

1. Asegúrese de que el teléfono esté en **OFF** (no en modo HABLAR).
2. Presione el botón STORE y la pantalla mostrará **UBICACION?**
3. Seleccione alguna de las ubicaciones en memoria a través del teclado (0-9) ó de las Ubicaciones de Marcación Rápida de Emergencia (MA, MB ó MC).

4. Presione el botón STORE y luego ingrese el número a ser almacenado mediante el teclado.
5. Presione STORE y luego ingrese el nombre de la personas usando las letras del teclado marcadas con A - Z. "A" puede ser ingresada presionando el dígito 2 una vez y "Z" se puede ingresar presionando el dígito 9 cuatro veces.
6. Presione STORE otra vez para guardar el número de teléfono y nombre. La pantalla mostrará **OK** para confirmar.

## **Cómo Introducir una Pausa en la Secuencia de Marcar**

La función pausa es activada cuando el botón #/PAUSE es presionado y sostenido por 2 segundos.

Presione y sostenga el botón #/PAUSE en el punto en la secuencia de marcación en que se requiera una pausa.

El tiempo de pausa es de aproximadamente cuatro segundos, si tiempo adicional es necesario, presione y sostenga el botón #/PAUSE otra vez.

## **Cómo Cambiar un Número Almacenado**

Cambie un número almacenado simplemente reemplazándolo con un número diferente. Los nuevos números sobrescribirán los números existentes.

## Cómo Marcar un Número de la Memoria

Usted puede marcar números desde memoria cuando usa el auricular o el altavoz. Cuando usted obtenga un tono de marcación, presione el botón DIAL seguido por la ubicación en memoria (0-9) para el número que usted quiere marcar.

## Para Marcar Los Números de Marcación Rápida de Emergencia

Si usted ha programado previamente sus números de Marcación Rápida de Emergencia, usted solamente necesita presionar el botón después de escuchar un tono de marcación.

## Cómo Marcar en Cadena desde la Memoria

Utilice esta función para hacer llamadas que requieren una secuencia de números, por ejemplo si usted usa una tarjeta para llamar frecuentemente a un número de larga distancia. Se marca cada parte de la secuencia de marcado desde la memoria. El siguiente ejemplo le muestra cómo usted puede marcar desde la memoria para hacer una llamada a través de un servicio de larga distancia:

<i>El Número para</i>	<i>Localización de Memoria</i>
Número de Acceso de Larga Distancia	1
Código de Autorización	2
Número de larga distancia llamado frecuentemente	3

1. Presione el botón speaker (o levante el auricular).
2. Presione el botón DIAL y luego presione 1.
3. Cuando usted escuche el tono de acceso, presione el botón DIAL y luego presione 2.
4. En el siguiente tono de acceso, presione el botón DIAL 3.

# Solución de Problemas

---

## No hay tono de marcar.

- Verifique la instalación:  
Asegúrese de que el cable de la línea telefónica esté conectado a la unidad base y al receptáculo telefónico de la pared.
  - Verifique el gancho para colgar. Debe extenderse completamente cuando el auricular se levanta de la base.
  - Usted debe tener servicio de tonos en su línea para usar este teléfono. Si usted no sabe qué tipo de servicio tiene, verifique con la compañía telefónica.
  - Asegúrese de que el indicador del altavoz se ilumina (si está usando el altavoz).
  - Desconecte el teléfono, espere 30 segundos, y vuelva a conectarlo. Después, levante el auricular para ver si da línea.
  - Conecte otro teléfono al mismo receptáculo modular, si el segundo teléfono no funciona, el problema podría estar relacionado con su cableado o con el servicio local.
  - Coloque el auricular en la base por al menos 20 segundos.
-

## **El teléfono no timbra**

- Asegúrese que el selector de timbre (“RINGER”) esté en la posición de bajo (“LO”) o alto (“HI”).
  - Usted puede tener demasiadas extensiones de teléfonos en su línea. Intente desconectar algunas de las extensiones de teléfono.
  - Verifique que haya tono de marcar. Si no hay tono de marcar, vea las soluciones para “No hay tono de marcar.”
- 

## **Volumen del auricular y altavoz muy bajos**

- Verifique las programaciones de volumen del auricular y del altavoz.
- 

## **A usted no le escucha la otra otra persona**

- Asegúrese de que el cable telefónico esté conectado adecuadamente.
  - Asegúrese de que las extensiones del teléfono estén colgadas mientras usted está en el teléfono. Es normal que el volumen disminuya cuando se utilizan otras extensiones del teléfono al mismo tiempo.
- 

## **La función de marcar**

- Asegúrese de que inscribió los números correctamente. (Vea la sección “Memoria”).
  - Asegúrese de que el aparato esté adecuadamente instalado. Levante el auricular y escuche el tono de marcar. Si usted no escucha el tono de marcar, verifique los pasos de la instalación.
-

## **Cuidado General del Producto**

Para mantener su teléfono funcionando bien y con buena apariencia, observe las siguientes pautas:

- Evite poner el teléfono cerca de calentadores (calefactores) de ambiente y dispositivos que generen interferencia eléctrica ejemplo, motores o lámparas fluorescentes).
- No lo exponga a la luz solar directa o a la humedad.
- Evite que se caiga el teléfono, así como el maltrato del mismo.
- Limpie el teléfono con un trapo suave
- Nunca use un agente de limpieza fuerte ni un polvo abrasivo, ya que esto dañará el acabado.
- Retenga el empaque original en caso de que necesite embarcar el auricular en el futuro.



## **Ayuda de la Garantía**

---

Si usted experimenta problemas con este equipo, para información de garantía, comuníquese con el departamento de servicio al cliente al **1-800-448-0329**. Si el equipo está causando daños a la red telefónica, la compañía telefónica puede requerir que desconecte su equipo hasta que el problema haya sido resuelto.

Cualquier reparaciones o cambio o modificación no aprobados expresamente por Thomson Inc. podría ser motivo de anulación de la autoridad del usuario para operar este producto. Para las instrucciones en cómo obtener una unidad del reemplazo, refiera a la garantía incluida en este servicio de cliente de la guía o de la llamada en **1-800-448-0329**.

O envíe sus preguntas a:

**Thomson Inc.**  
**Gerente, Servicio al Consumidor**  
**P.O. Box 1976**  
**Indianápolis, IN 46206**

Adjunte su recibo al folleto, para futura referencia, o anote la fecha en la que se compró o recibió este producto como regalo. Esta información será valiosa si se llegase a requerir durante el período de garantía.

Fecha de Compra \_\_\_\_\_

Nombre de la Tienda \_\_\_\_\_

# Garantía Limitada

---

## Lo que cubre su garantía:

- Defectos de materiales o de trabajo.

## Por cuánto tiempo después de la compra:

- Dos año, a partir de la fecha de compra.

(El periodo de garantía para unidades arrendadas se inicia con la primera renta o 45 días de la fecha del embarque a la firma de arrendamiento, lo que ocurra primero).

## Lo que haremos:

- Proporcionarle una unidad nueva o, a nuestra opción, una reacondicionada. La unidad de intercambio quedará bajo garantía por el resto del periodo de garantía del producto original.

## Cómo obtener servicio:

- Empaque bien la unidad, incluyendo todos los cables, etc., que originalmente venían con el producto. Se recomienda usar el cartón y materiales de empaque originales.
- “Prueba de compra como factura o recibo de compra, que ofrezca evidencia de que el producto está dentro del periodo de garantía, debe ser presentado para obtener servicio bajo garantía.” Para compañías de arrendamiento, se requiere como evidencia el primer contrato de renta. También escriba claramente su nombre, dirección y la descripción del defecto. Mande vía UPS o un servicio de paquetería equivalente a:

**Thomson Inc.**  
**11721 B Alameda Ave.**  
**Socorro, Texas 79927**

- Pague cualquier cargo que le facture el Centro de Intercambio por servicio que no esté cubierto por garantía.
- Asegure su empaque para prevenir pérdida o daño. Thomson Inc. no acepta responsabilidad en caso de pérdida o daño.
- Un aparato nuevo o uno remozado se le enviará con los cargos pagados.

### **Lo que no cubre la garantía:**

- Instrucciones al cliente. (Su manual de propietario le proporciona la información con respecto a las instrucciones de operación y los controles del usuario. Cualquier información adicional debe obtenerse con su agente de ventas.
- Ajustes de instalación y de preparación del servicio.
- Baterías.
- Daño por mal uso o negligencia.
- Productos que han sido modificados o incorporados a otros productos.
- Productos comprados o que han recibido servicio fuera de los Estados Unidos.
- Desastres naturales, por ejemplo y sin limitarse a ellos, daños por relámpagos.

### **Registro del Producto:**

- Por favor llene y envíe por correo la Tarjeta de Registro del Producto que se embarcó con su producto. Hará más fácil que hagamos contacto con usted si fuera necesario. No se requiere la devolución de la tarjeta para tener la cobertura de la garantía.

## Limitaciones sobre la Garantía:

- LA GARANTÍA ESPECIFICADA ANTERIORMENTES ES LA ÚNICA GARANTÍA APLICABLE A ESTE PRODUCTO. CUALQUIER OTRA GARANTÍA, EXPRESA O IMPLÍCATA (INCLUYENDO TODAS LAS GARANTÍAS IMPLÍCITAS DE MERCADO O DE SALUD PARA CUALQUIER PROPÓSITO) SON CONSIDERADAS NO VALIDAS. NINGUNA INFORMACION VERBAL O ESCRITA OTORGADO POR THOMSON INC., SUS AGENTES, O EMPLEADOS SERÁ CONSIDERADA PARA CREAR UNA GARANTÍA NI PARA AUMENTAR BAJO NINGUNA CIRCUNSTANCIA LA COBERTURA DE ESTA GARANTÍA.
- LA REPARACIÓN O REEMPLAZO DE UN PRODUCTO COMO SE ESPECIFICA BAJO ESTA GARANTÍA ES EL REMEDIO EXCLUSIVO DEL CONSUMIDOR. THOMSON INC. NO SE HACE RESPONSIBLE POR DAÑOS INCIDENTALES, DAÑOS DERIVADOS COMO CONSECUENCIA DEL USO ESTE PRODUCTO, O COMO RESULTADO DEL INCUMPLIMIENTO DE CUALQUIER GARANTÍA IMPLÍCITA O EXPRESA DE ESTE PRODUCTO. LA INVALIDEZ DE LAS GARANTÍAS O LAS GARANTÍAS LIMITADAS ESTÁN REGLAMENTADAS POR LAS LEYES DEL ESTADO DE INDIANA. EXCEPTO POR EL ALCANCE ESTABLECIDO POR LAS LEYES APLICABLES CUALQUIER GARNATÍA IMPLÍCITA DE MERCADO O DE SALUD PARA CUALQUIER PROPOSITO, EN ESTE PRODUCTO ES LIMITADA AL PERÍODO DE GARANTÍA ESPECIFICADO ANTERIORMENTE.

## Cómo se Relaciona la Ley Estatal a esta Garantía:

- Algunos estados no permiten la exclusión ni limitación de daño incidental o derivado de alguna consecuencia, o la limitación con respecto al período de tiempo que debe aplicarse para garantías implícitas, por lo tanto las limitaciones y exclusiones mencionadas anteriormente pueden no ser aplicables para usted.
- Esta garantía le ofrece derechos legales específicos, y usted puede tener otros derechos legales que varían de estado a estado.

## Si compró su producto fuera de los Estados Unidos:

- Esta garantía no se aplica. Vea a su distribuidor para información sobre la garantía.

## Información de Accesorios

---

DESCRIPTION	NÚMERO DE CATÁLOGO
Alerta Vibratoria	5-2810
Adaptador de corriente CA	5-2784

Para ordenar, tenga lista su tarjeta Visa, Mastercard o Discover y llame al **1-800-338-0376**.

Se aplicará un cargo por envío al ordenar. La ley nos requiere que cobremos el impuesto sobre la venta apropiado para cada estado, condado y área individuales a las cuales se envíe la mercancía. Los artículos están sujetos a disponibilidad.

# Índice

---

## A

Alerta Vibratoria	25
Altavoz	19, 20, 21
Antes de Comenzar	9
Audio Amplificado	22
Auricular	20, 21
Ayuda de la Garantía	41

## C

Código de Area Local	18
Cómo Cambiar un Número Almacenado	36
Cómo Introducir una Pausa en la Secuencia de Marcar	36
Cómo Marcar en Cadena desde la Memoria	37
Cómo Marcar un Número de la Memoria	37
Compatibilidad con Audífonos (CCA)	5
Configurando el Menú Usuario	16
Contraste	18
Cuidado General del Producto	40

## E

Ecuador de Tonos	24
------------------	----

## F

Formato de la Base	11
--------------------	----

## G

Garantía Limitada	42
-------------------	----

## I

Identificador de Llamada (CID)	27
Idioma de Visualización	18
Información de Accesorios	45
Información de Interferencias	4
Información Importante Para la Instalación	10
Información Sobre La Aprobación de Equipo	2
Instalación	10
Instalación de las Baterías de Respaldo	13
Instalar el Teléfono	13
Introducción	8

## L

Licensing	5
Lista de Partes	9
Llamada en Espera	
Identificador de Llamada	28

# Índice

---

## M

Marcación de un Número	
CID	30
Memoria	35
Mensajes en la Pantalla del	
Identificador de Llamadas	32
Montaje en la Pared	17
Muta	25

## O

Operación Básica del	
Teléfono	19

## P

Para Almacenar Registros CID	
(en Memoria CID)	29
Para Almacenar Registros CID	
en Memoria Interna	33
Para Almacenar un Número	
en la Memoria	35
Para Conectar la Telefónica	14
Para Contestar una Llamada	21
Para Eliminar Todos los	
Registros CID	35
Para Eliminar un Registro	
CID	34

Para Hacer Una Llamada	20
Para Marcar Los Números	
de Marcación Rápida de	
Emergencia	37
Para Reemplazar un Registro	
CID Almacenado	34
Para Revisar Registros CID	29

## R

Recepción de Registros CID	28
Receptáculo para Cable de	
Auricular Manos Libres	24
Requerimientos Para Enchufe	
Telefónico	9

## S

Servicios Especiales	25
Solución de Problemas	38

## V

Vistas Trasera y Lateral	12
Volumen	22
Volver a Marcar	26



Model 29579  
00019257 (Rev. 1 DOM E/S)  
07-32  
Impreso en China

**Thomson Inc.**  
101 West 103rd Street  
Indianapolis, IN 46290-1102  
© 2007 Thomson Inc.  
Trademark(s) ® Registered  
Marca(s) Registrada(s)



## Free Manuals Download Website

<http://myh66.com>

<http://usermanuals.us>

<http://www.somanuals.com>

<http://www.4manuals.cc>

<http://www.manual-lib.com>

<http://www.404manual.com>

<http://www.luxmanual.com>

<http://aubethermostatmanual.com>

Golf course search by state

<http://golfingnear.com>

Email search by domain

<http://emailbydomain.com>

Auto manuals search

<http://auto.somanuals.com>

TV manuals search

<http://tv.somanuals.com>