

2-9382



Speakerphone with
Liquid Crystal Display
User's Guide



We bring good things to life.

FCC REGISTRATION INFORMATION

Your GE telephone equipment is registered with the Federal Communications Commission and is in compliance with parts 15 and 68, FCC Rules and Regulations.

1 Notification to the Local Telephone Company

On the bottom of this equipment is a label indicating, among other information, the FCC Registration number and Ringer Equivalence Number (REN) for the equipment. You must, upon request, provide this information to your telephone company.

The REN is useful in determining the number of devices you may connect to your telephone line and still have all of these devices ring when your telephone number is called. In most (but not all) areas, the sum of the RENs of all devices connected to one line should not exceed 5. To be certain of the number of devices you may connect to your line as determined by the REN, you should contact your local telephone company.

Notes

- This equipment may not be used on coin service provided by the telephone company.
- Party lines are subject to state tariffs, and therefore, you may not be able to use your own telephone equipment if you are on a party line. Check with your local telephone company.
- Notice must be given to the telephone company upon permanent disconnection of your telephone from your line.

2 Rights of the Telephone Company

Should your equipment cause trouble on your line which may harm the telephone network, the telephone company shall, where practicable, notify you that temporary discontinuance of service may be required. Where prior notice is not practicable and the circumstances warrant such action, the telephone company may temporarily discontinue service immediately. In case of such temporary discontinuance, the telephone company must: (1) promptly notify you of such temporary discontinuance; (2) afford you the opportunity to correct the situation; and (3) inform you of your right to bring a complaint to the Commission pursuant to procedures set forth in Subpart E of Part 68, FCC Rules and Regulations.

The telephone company may make changes in its communications facilities, equipment, operations or procedures where such action is required in the operation of its business and not inconsistent with FCC Rules and Regulations. If these changes are expected to affect the use or performance of your telephone equipment, the telephone company must give you adequate notice, in writing, to allow you to maintain uninterrupted service.

INTERFERENCE INFORMATION

This device complies with Part 15 of the FCC Rules. Operation is subject to the following two conditions: (1) This device may not cause harmful interference; and (2) This device must accept any interference received, including interference that may cause undesired operation.

This equipment has been tested and found to comply with the limits for a Class B digital device, pursuant to Part 15 of the FCC Rules. These limits are designed to provide reasonable protection against harmful interference in a residential installation.

This equipment generates, uses, and can radiate radio frequency energy and, if not installed and used in accordance with the instructions, may cause harmful interference to radio communications. However, there is no guarantee that interference will not occur in a particular installation.

If this equipment does cause harmful interference to radio or television reception, which can be determined by turning the equipment off and on, the user is encouraged to try to correct the interference by one or more of the following measures:

- Reorient or relocate the receiving antenna (that is, the antenna for radio or television that is "receiving" the interference).
- Reorient or relocate and increase the separation between the telecommunications equipment and receiving antenna.
- Connect the telecommunications equipment into an outlet on a circuit different from that to which the receiving antenna is connected.
- Consult the dealer or an experienced radio/TV technician for help.

If these measures do not eliminate the interference, please consult your dealer or an experienced radio/television technician for additional suggestions. Also, the Federal Communications Commission has prepared a helpful booklet, "How To Identify and Resolve Radio/TV Interference Problems." This booklet is available from the U.S. Government Printing Office, Washington, D.C. 20402. Please specify stock number 004-000-00345-4 when ordering copies.

HEARING AID COMPATIBILITY

This telephone system meets FCC standards for Hearing Aid Compatibility.

FCC NUMBER IS LOCATED ON THE CABINET BOTTOM REN NUMBER IS LOCATED ON THE CABINET BOTTOM
--

INTRODUCTION

Your GE Speakerphone is designed to give you flexibility in use and high quality performance. To get the most from your new speakerphone, we suggest that you take a few minutes right now to read through this instruction manual.

TABLE OF CONTENTS

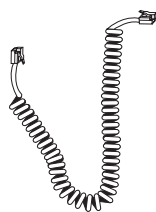
INTRODUCTION	1	REDIAL	10
BEFORE YOU BEGIN	2	BUSY REDIAL	11
PARTS CHECKLIST	2	HOLD	11
MODULAR JACK REQUIREMENTS	2	MUTE	12
GLOSSARY OF TERMINOLOGY		FLASH	12
USED IN THIS MANUAL	2	TEMPORARY TONE	12
BATTERY POWER	3	TIMER	13
AA INSTALLATION/REPLACEMENT	3	SETTING THE ALARM	13
MEMORY BACKUP BATTERY	4	MEMORY DIALING	14
TELEPHONE INSTALLATION	5	STORING A NUMBER	
DESKTOP INSTALLATION	5	IN UPPER MEMORY	14
WALL MOUNT INSTALLATION	6	STORING A NUMBER	
SETUP	7	IN LOWER MEMORY	15
SETTING THE RINGER VOLUME	7	INSERTING A PAUSE	
SETTING THE VOLUME LEVELS	7	IN THE DIALING SEQUENCE	15
THE DISPLAY	7	VIEWING A STORED NUMBER	16
SETTING THE DATE AND TIME	8	CHANGING A STORED NUMBER	16
TELEPHONE OPERATION	9	CLEARING A STORED NUMBER	16
SPEAKERPHONE LOCATION AND USE		DIALING A STORED NUMBER	16
GUIDELINES	9	TROUBLESHOOTING GUIDE	17
USING THE SPEAKERPHONE	9	SERVICE	18
PLACING A CALL	9	GENERAL PRODUCT CARE	18
SWITCHING BETWEEN SPEAKER AND		INDEX	19
HANDSET	10	LIMITED WARRANTY	20
USING THE FEATURES	10		

BEFORE YOU BEGIN

This section gives you all of the information you need to know to install and set up your phone.

PARTS CHECKLIST

Your package should contain the following items:



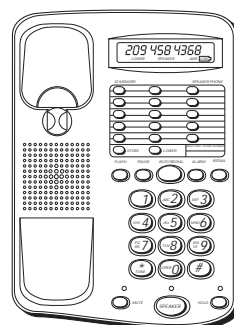
Handset cord



Telephone line cord



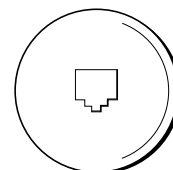
Handset



Base unit

MODULAR JACK REQUIREMENTS

You need an RJ11 type modular jack, which is the most common type of phone jack and might look like the one pictured here. If you don't have a modular jack, call your local phone company to find out how to get one installed.



GLOSSARY OF TERMINOLOGY USED IN THIS MANUAL

Hook switch. The part of the phone that pops up to activate the phone line when the handset is lifted from the base.

Indicator lights. The light located next to each of the function buttons; it shows you the status of each button (MUTE, SPEAKER, HOLD).

Off-hook. The phone is active, i.e., the handset is out of the cradle.

On-hook. The phone is inactive, i.e., the handset is in the cradle.

BATTERY POWER

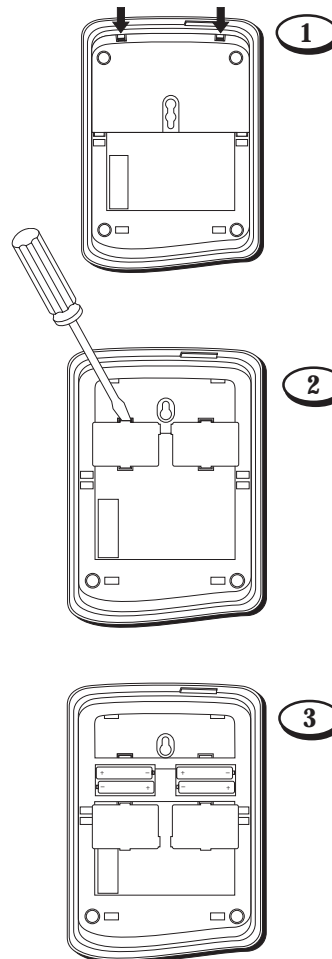
AA BATTERY INSTALLATION/REPLACEMENT

Install 4 AA-size batteries into the bottom of the phone to provide power for the speakerphone, the display, the busy redial feature, and in order to store numbers in memory.

1. Disconnect the telephone line cord from the LINE jack on the back of the phone.
2. Remove the base plate on the back of the phone by pressing down on the tabs and lifting the base plate from the base.
3. Open the compartment cover by putting a coin or screwdriver behind the tabs of the top of the cover, and twisting slightly to pop the cover open.
4. Insert the batteries as shown in the diagram inside the battery compartment.
5. Close the battery cover.

TIP: If the battery becomes weak and needs to be replaced, the battery symbol appears in the display.

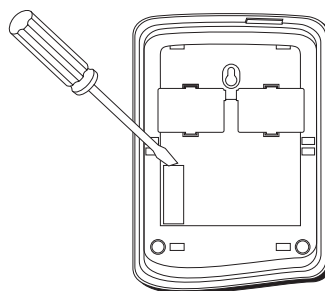
NOTE: Periodically replace your batteries to prevent battery leakage and damage to your telephone. When discarding batteries, be sure to dispose of them in the proper manner, according to your state and local regulations. Remove batteries when storing this unit for more than one month.



MEMORY BACKUP BATTERY

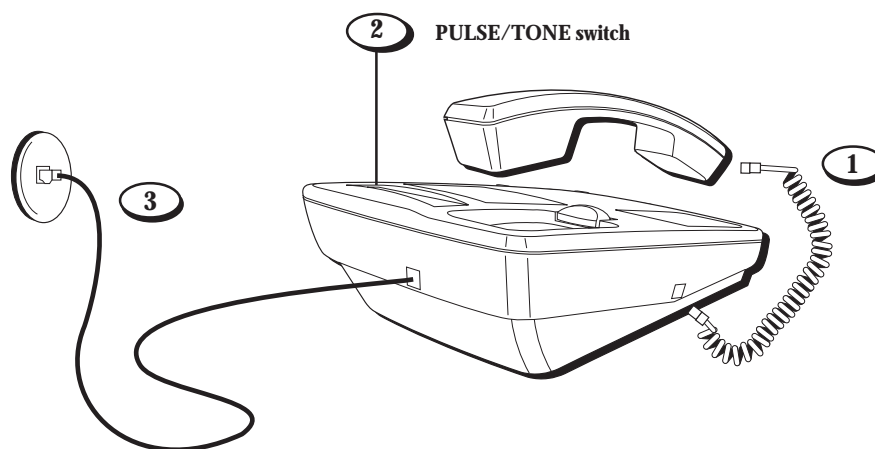
A 3V lithium battery has already been installed in your phone to act as a backup when the AA-size batteries lose their power. The 3V lithium battery ensures that the numbers you've stored in memory will be retained when the AA-size batteries are removed or aren't working properly. You'll know you need to replace the 3V lithium backup battery if memory backup fails when you remove the AA-size batteries. To replace the 3V lithium battery:

1. Disconnect the telephone line cord from the LINE jack on the back of the phone.
2. Remove the plastic cover with a screwdriver to expose the black battery holder.
3. Use the screwdriver again to pop up either end of the black battery holder out of the cabinet.
4. Slide the battery holder out of the compartment and remove the battery from the black holder.
5. Insert new battery and snap into the black holder making sure you've matched the + and - polarities on the battery and the holder.
6. Replace the battery holder and make sure that the keyhole on the holder lines up with the tab on the cabinet.
7. Replace the plastic cover and plug the telephone line cord back into the phone.



TELEPHONE INSTALLATION

DESKTOP INSTALLATION

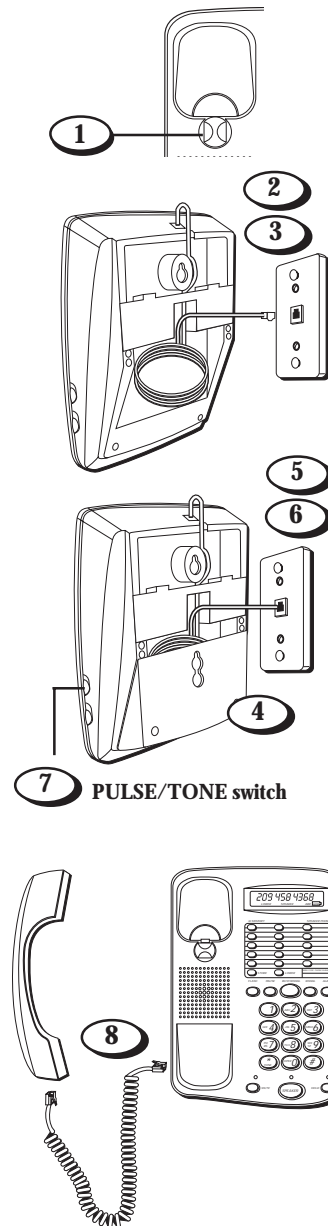


1. Plug the handset cord into the handset and into the telephone jack on the left side of the unit.
2. Set the PULSE/TONE switch (located on the side of the unit) to TONE if you have touch-tone service; set it to PULSE if you have rotary service.
3. Plug the telephone line cord into a modular jack and into the LINE jack on the back of the unit.

WALL MOUNT INSTALLATION

1. Pull up the handset hook and rotate it one-half turn.
2. Remove the base plate from the back by pressing down on the snap tabs located at the top, and then lifting the base plate off.
3. Open the battery compartment cover. Thread telephone line cord through the battery compartment cover. Plug the telephone line cord into the LINE jack. Close the battery compartment cover.
4. Reverse the direction of the base plate and replace it by putting the tabs into the slots on the unit first, and then snapping the bottom tabs into place.
5. Connect the other end of the telephone line cord into the modular jack on the wall.
6. Slip the mounting holes over the wall plate posts and slide the unit down firmly into place. (Wall plate not included.)
7. Set the PULSE/TONE switch (located on the side of the unit) to TONE if you have touch-tone service; set it to PULSE if you have rotary service.
8. Plug the handset cord into the handset and into the unit, and then hang up the handset.

NOTE: The easiest way to fit the telephone line cord into the base plate is to leave it wrapped up. Just unwrap enough cord to reach the LINE jack and the modular wall jack.



SETUP

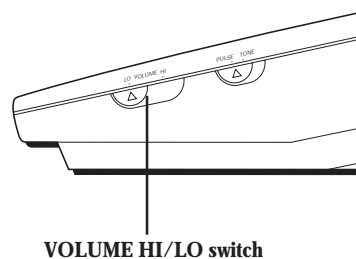
SETTING THE RINGER VOLUME

The VOLUME HI/LO/OFF switch, located on the left side of the unit controls the ringer volume.

- OFF — The phone does not ring. Use the OFF setting when you don't want to be disturbed. If you have an answering system, it still answers the call.
- LO — Use LO for a soft ring.
- HI — Use HI for a loud ring.

SETTING THE VOLUME LEVELS

The VOLUME switch, located on the right side of the unit controls the speaker volume for the handset and speaker. Set to desired level.



THE DISPLAY

The display shows you information, such as the current time, the duration of a call, or the phone number you are currently dialing (the last 12 digits dialed appear in the display).

<i>Display item</i>	<i>Meaning</i>
STORE	Unit is storing a number in memory.
LOWER	Unit is storing a number in lower memory.
ALARM	Alarm is active.
SPEAKER	Speakerphone is active.
HOLD	Phone is on hold.
LOW	Battery is dead or low and needs to be replaced.
ABR	Unit is Auto Busy Redialing.

SETTING THE DATE AND TIME

You can set the clock by following these steps:

1. Press the STORE button.
2. Press the HOLD button.
3. Press the appropriate digits for the following:

Display item	Setting date and time
XX	Enter the month (must be 2 digits)
YY	Enter the day (must be 2 digits)
*	Enter for AM.
#	Enter for PM.
HH	Enter the hour (must be 2 digits)
MM	Enter minutes (must be 2 digits)

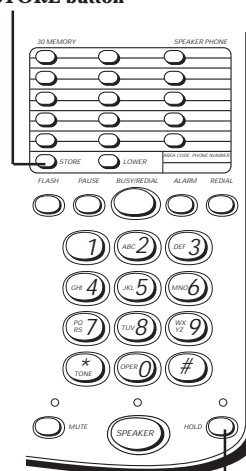
When you enter time and date settings, you must use two digits. For example, to enter 2:05 April 2nd, you would enter 04, 02 for April 2nd and 02, 05 for 2:05.

NOTE: If the unit goes off-hook during programming, the changes will be lost.

XX - YY * / # HH - MM
HOLD

Enter the date and time information. Entries must be two digits.

STORE button



HOLD button

TELEPHONE OPERATION

You can use the telephone by speaking and listening through the handset, or by using the speakerphone feature.

SPEAKERPHONE LOCATION AND USE GUIDELINES

For best speakerphone performance, avoid the following:

- Areas with high background noise. (The microphone might pick up these sounds and prevent the speakerphone from going into the receiving mode when you finish talking.)
- Surfaces affected by vibration.
- Recessed areas such as in a corner, under a cupboard, or next to a cabinet, which can generate an echo effect.

Note the following guidelines when you use the speakerphone:

- The speakerphone works similar to a two-way radio in that you can only listen or talk at one time.
- Stay reasonably close to the phone so that you can be clearly heard by the person to whom you are talking.

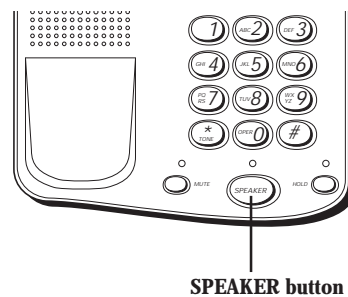
USING THE SPEAKERPHONE

To use the speakerphone, press the SPEAKER button and the phone automatically goes into speakerphone mode.

PLACING A CALL

3. Press SPEAKER.
2. Dial the phone number you want to call.
3. Press SPEAKER again to hang up.

NOTE: You must install 4 AA-size batteries in order for the speakerphone to work.



SWITCHING BETWEEN SPEAKER AND HANDSET

You can switch between speakerphone and handset after dialing a number, or anytime during a conversation.

- Speaker to Handset — Pick up the handset.
- Handset to Speaker — Press SPEAKER; then hang up the handset.

USING THE FEATURES

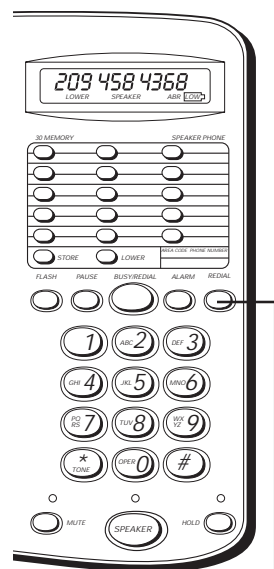
This section discusses all of the basic telephone features.

REDIAL

To quickly redial the last number you called, press the REDIAL button after you get a dial tone.

NOTE: When you enter extra numbers after dialing a phone number (i.e., to access voice menu systems such as electronic banking), those numbers are also redialed automatically when you press REDIAL (up to 32 numbers). If you enter more than 32 numbers, the redial memory is cleared.

If you get a busy signal, you can press REDIAL again without hanging up to save some time in redialing the number. (See the following section regarding the Busy Redial feature to learn how to make the phone do the dialing for you).



REDIAL button

BUSY REDIAL

The Busy Redial feature enables the phone to automatically dial a number when you get a busy signal.

When you call and get a busy signal, hang up the phone and press the BUSY/REDIAL button. The phone's speakerphone is activated and the phone automatically redials the phone number every 30 seconds (up to 10 times). You'll hear the phone automatically dialing through the speaker.

When the phone detects that the line isn't busy, you'll hear the number ringing through the speakerphone. You can pick up the handset or talk through the speaker to talk to the person you're calling.

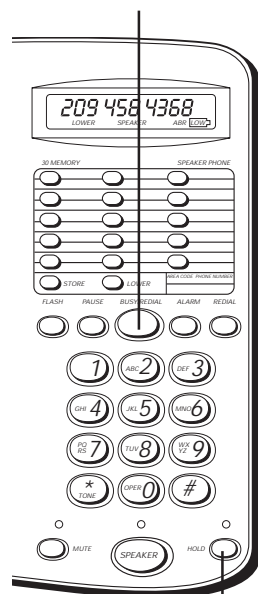
NOTE: The Busy/Redial feature is cancelled if somebody calls you after you've pressed BUSY/REDIAL

HOLD

Use the HOLD button to interrupt a phone conversation without hanging up; then resume the conversation on the same phone or an extension phone.

1. Press HOLD to place the line on hold and hang up the handset (the HOLD indicator lights).
2. Press the SPEAKER button or pick up the handset to resume the conversation.

BUSY/REDIAL button



HOLD button

MUTE

Use the MUTE button to interrupt a phone conversation to talk privately with someone else in the room.

1. To turn on MUTE, press MUTE on the handset or speakerphone (the MUTE indicator lights).
2. To turn off MUTE, press MUTE again.

FLASH

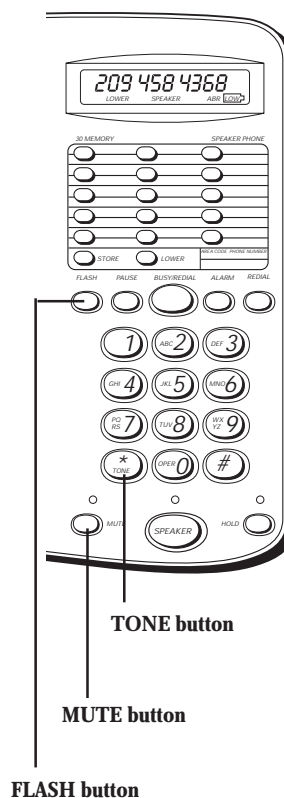
Press the FLASH button instead of pressing the hook switch to activate custom calling services such as call waiting or call transfer, which are provided by your local phone company.

TEMPORARY TONE

If you have pulse (rotary) service, and want to access custom calling services that require tone dialing (such as getting information from a local bank), you can use this feature.

1. Dial the phone number.
2. Press the TONE button (*) to enable tone dialing after you have connected to the custom calling service.
3. When you hang up, the phone automatically resumes pulse dialing.

NOTE: Temporary Tone can be stored into a memory location. See the "Memory Dialing" section.



TIMER

Whenever you make a call, the elapsed time appears in the display to show you the duration of the call.

SETTING THE ALARM

You can set the alarm by following these steps:

1. Press STORE.
2. Press ALARM.
3. Press the appropriate digits for the following:

Display item	Setting alarm
*	Enter for AM.
#	Enter for PM.
HH	Enter the hour (must be 2 digits).
MM	Enter minutes (must be 2 digits).

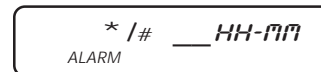
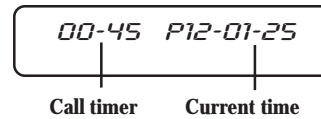
NOTE: To set the alarm the phone must be on-hook.

TURING ON THE ALARM

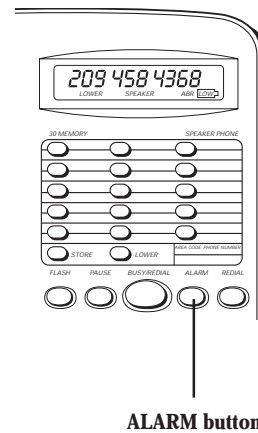
After you've set the alarm time, press the ALARM button. The alarm time appears in the display for several seconds and the alarm indicator remains in the display.

TURING OFF THE ALARM

- To turn off the alarm before it rings: press ALARM (the ALARM indicator turns off).
- To turn off the alarm after it rings: press any button or pick up the handset. The alarm sounds for one minute and automatically stops if you don't turn off the alarm.



Enter the alarm information.



MEMORY DIALING

Each of the 15 memory buttons on the phone contains an upper and lower memory location. The lower memory is accessed by pressing the LOWER button located on the memory directory.

Note that if no keys are pressed for 15 seconds, the memory feature automatically turns off.

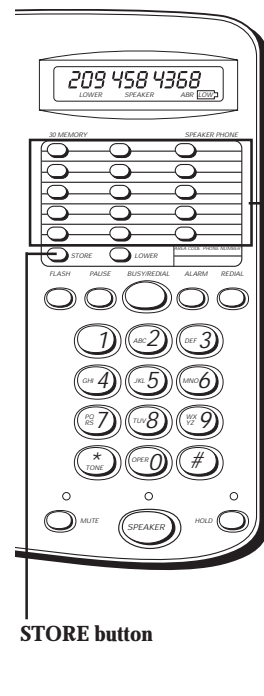
Be careful when you store numbers with the phone off-hook, because if you don't follow the correct procedures, you might actually call someone instead of storing their number in memory.

STORING A NUMBER IN UPPER MEMORY

You can store 15 numbers in upper memory by following these steps:

1. Press the STORE button (the display clears).
2. Dial the number to be stored – up to 16 digits (the STORE indicator lights).
3. Press the STORE button again.
4. Press a memory location button to store the number.
5. Record whose phone number it is on the memory directory (located under the plastic cover on the front of the unit).

TIP: If you make a mistake while storing a number into memory, wait 30 seconds for the feature to turn off, or press SPEAKER or pick up handset to get a dial tone and hang up again.



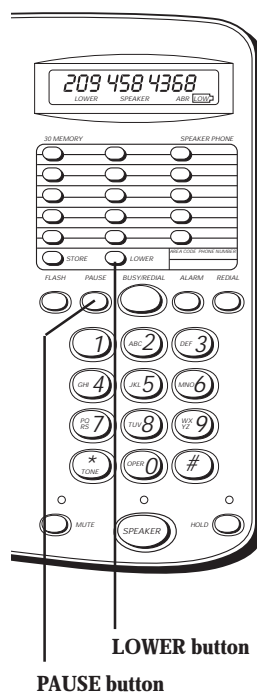
STORING A NUMBER IN LOWER MEMORY

You can store another 15 numbers in lower memory:

1. Press the STORE button.
2. Dial the number to be stored.
3. Press the STORE button again.
4. Press the LOWER button followed by a memory location button to store the number in that button's lower memory.
5. Record whose phone number it is on the memory directory located under the plastic cover on the front of the unit.

INSERTING A PAUSE IN THE DIALING SEQUENCE

Press the PAUSE button while storing a number in memory to insert a delay in the dialing sequence when a pause is needed to wait for a dial tone (for example after you dial 9 for an outside line, or to wait for a computer access tone). Each pause counts as 1 digit in the dialing sequence.



VIEWING A STORED NUMBER

You can view a number stored in memory without completing the call:

- When you're not using the phone (handset in cradle, speakerphone is inactive) — Press the memory location button or LOWER and the memory location button.

CHANGING A STORED NUMBER

To change a stored number, replace it with a different number using the procedure for storing a number. Remember to update your memory directory when you make changes.

CLEARING A STORED NUMBER

To clear a stored number, press STORE twice and press the memory location button that you want to clear.

DIALING A STORED NUMBER

Dial numbers from memory when using the handset or speakerphone.

When you get a dial tone, press the memory location button you want to dial for upper memory numbers, or press LOWER and then the memory location button for numbers in lower memory.

CAUTION: If you make test calls to emergency numbers, remain on the line and explain the reason for the call to the dispatcher. Also, make these calls in off-peak hours, such as early morning or late evening.

TROUBLESHOOTING GUIDE

<i>Problem</i>	<i>Solution</i>
No dial tone when is you pick up handset	<ul style="list-style-type: none">• Check hook switch. Does it pop up when you pick up handset?• Make sure phone line cord is connected.
Can't hear other party	<ul style="list-style-type: none">• Check speaker volume.
Can't be heard by other party	<ul style="list-style-type: none">• Make sure handset cord is securely plugged in.• Make sure phone cord is securely plugged in.• Make sure MUTE indicator is off.
Phone doesn't ring	<ul style="list-style-type: none">• Check RINGER volume.• Could have too many phones on one line. (See FCC registration information regarding REN)
Low speaker volume	<ul style="list-style-type: none">• Check the volume setting.
LOW Battery Symbol appears LOW	<ul style="list-style-type: none">• Batteries are dead or not installed. Replace the batteries.
Memory dialing	<ul style="list-style-type: none">• Make sure you entered numbers correctly. (See "Memory Dialing.")

SERVICE

The FCC requires this product be serviced only by the manufacturer or its authorized service agents. In accordance with FCC requirements, changes or modifications not expressly approved by Thomson Consumer Electronics could void the user's authority to operate this product. For instructions on how to obtain service, refer to the warranty included in this guide or call customer service, telephone number: 800-448-0329.

Attach your sales receipt to the booklet for future reference or jot down the date this product was purchased or received as a gift. This information will be valuable if service should be required during the warranty period.

Purchase date _____

Name of store _____

GENERAL PRODUCT CARE

To keep your speakerphone working and looking good, follow these guidelines:

- Avoid putting it near heating appliances and devices that generate electrical noise (for example, motors or fluorescent lamps).
- DO NOT expose to direct sunlight or moisture.
- Avoid dropping the unit and/or other rough treatment.
- Clean with a soft cloth.
- Never use a strong cleaning agent or abrasive powder because this will damage the finish.
- Retain the original packaging in case you need to ship it at a later date.

INDEX

A

Alarm 12

B

Base plate, removing

BUSY REDIAL button

Busy Redial feature

C

Cleaning the phone

D

Display messages

ABR 6

Alarm 6

Hold 6

Low battery 6

Lower 6

Speaker 6

Store 6

F

FLASH button 11

H

HOLD button 10

I

R

REDIAL button 9

Redial feature 9

Index will be updated for final

8-10

,12,13, 14

15

dialing 15

en speaker

et 8

feature 11

storing in

LIMITED WARRANTY

What your warranty covers:

- Any defect in materials or workmanship.

For how long after your purchase:

- Two years.

(The warranty period for rental units begins with the first rental or 45 days from date of shipment to the rental firm, whichever comes first.)

What we will do:

- Provide you with a new, or at our option, a refurbished unit.
- The exchange unit is under warranty for the remainder of the original product's warranty period.

How to make a warranty claim:

- Properly pack your unit. Include any cables, etc., which were originally provided with the product. We recommend using the original carton and packing materials.
- Include in the package evidence of purchase date such as the bill of sale. Also print your name and address and a description of the defect. Send standard UPS or its equivalent to:

Thomson Consumer Electronics, Inc.
Product Exchange Center
32 Spur Drive
El Paso, Texas 79906

- Pay any charges billed to you by the Exchange Center for service not covered by the warranty.
- A new or refurbished unit will be shipped to you prepaid freight.

What your warranty *does not* cover:

- Customer instruction. (Your Owner's Manual provides information regarding operating instructions and user controls. For additional information, ask your dealer.)
- Installation and set-up service adjustments.
- Batteries.
- Damage from misuse or neglect.
- Products which have been modified or incorporated into other products.
- Products purchased or serviced outside the USA.
- Acts of God, such as but not limited to lightning damage.

Product Registration:

- Please complete and mail the Product Registration Card packed with your unit. It will make it easier to contact you should it ever be necessary. The return of the card is not required for warranty coverage.

How state law relates to this warranty:

- This warranty gives you specific legal rights, and you may have other rights which vary from state to state.

If you purchased your product outside the USA:

- This warranty does not apply. Contact your dealer for warranty information.

Model 2-9382
20631670-0001 (Rev. 1 E/S)
97-10
Printed in China

 **THOMSON CONSUMER ELECTRONICS**

P.O. Box 1976, Indianapolis, IN 46206
© 1997 Thomson Consumer Electronics, Inc.
Trademark(s) ® Registered
Marca(s) Registradas

Free Manuals Download Website

<http://myh66.com>

<http://usermanuals.us>

<http://www.somanuals.com>

<http://www.4manuals.cc>

<http://www.manual-lib.com>

<http://www.404manual.com>

<http://www.luxmanual.com>

<http://aubethermostatmanual.com>

Golf course search by state

<http://golfingnear.com>

Email search by domain

<http://emailbydomain.com>

Auto manuals search

<http://auto.somanuals.com>

TV manuals search

<http://tv.somanuals.com>