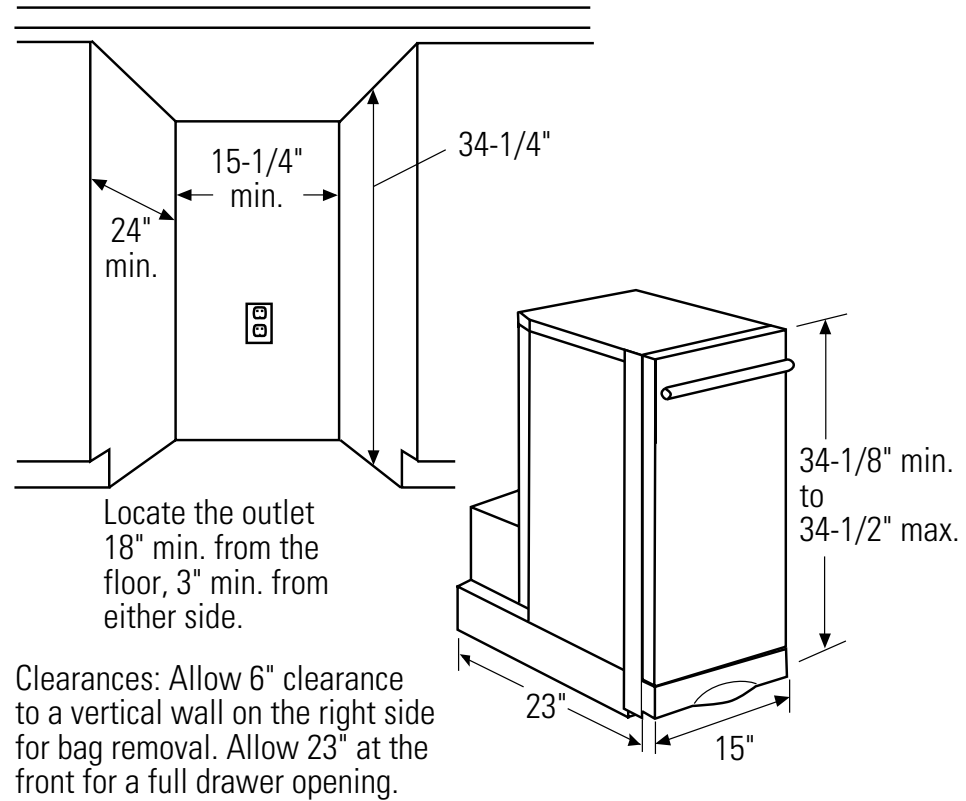


GCG1580R

GE Profile™ 15" Built-In Compactor

Dimensions and Installation Information (in inches)



For answers to your Monogram,® GE Profile™ or GE® appliance questions, visit our website at ge.com or call GE Answer Center® service, 800.626.2000.



imagination at work



Specification Created 5/09

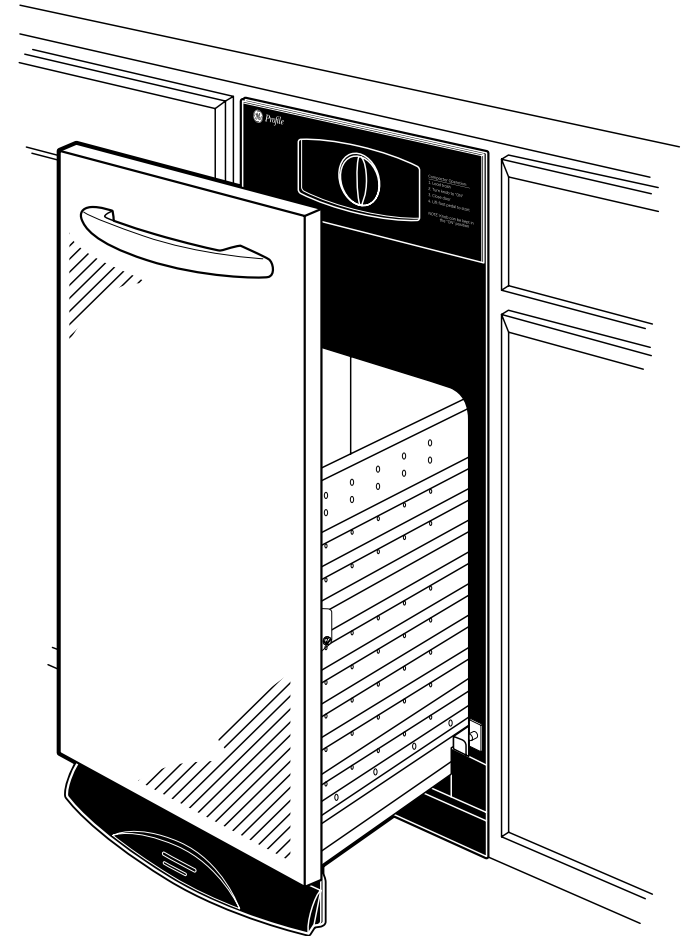
250309

GCG1580R

GE Profile™ 15" Built-In Compactor

Features and Benefits

- Stainless Door with Sculptured Handle - Creates an elegant appearance with a sleek stainless steel door and handle designed to coordinate beautifully with other GE Profile appliances
- Hidden Controls - The controls are hidden behind the compactor door, lending a beautiful designer appearance
- Built-In Only - The compactor is built-in to adjacent cabinetry for an upscale appearance
- 1.4 Cu. Ft. Capacity - Provides plenty of room for waste items or recyclables
- 1/3 HP Motor - Powerful motor provides maximum compacting power
- Removable Key Lock - Provides added safety by assuring the drawer remains locked during use
- Toe Pedal Opener - Hands-free toe pedal drawer makes it easy to open and load
- Automatic Anti-Jam - Operation is easy and reliable, even with a challenging load
- Rear Wheels - Allow easy movement and installation
- Removable Drawer - Makes it simple to empty and clean
- Model GCG1580RSS - Stainless steel



imagination at work

Free Manuals Download Website

<http://myh66.com>

<http://usermanuals.us>

<http://www.somanuals.com>

<http://www.4manuals.cc>

<http://www.manual-lib.com>

<http://www.404manual.com>

<http://www.luxmanual.com>

<http://aubethermostatmanual.com>

Golf course search by state

<http://golfingnear.com>

Email search by domain

<http://emailbydomain.com>

Auto manuals search

<http://auto.somanuals.com>

TV manuals search

<http://tv.somanuals.com>