

WSLP1100A/DSKS333EC

GE Spacemaker® Portable Washer and Stationary Dryer with Stack Rack DSR24RW

Dimensions and Installation Information (in inches)

Special Installation Requirements

Alcove or Closet Installation:

- If your dryer is approved for installation in an alcove or closet, it will be stated on a label on the dryer back.
- The dryer **MUST** be exhausted to the outside.
- Minimum clearances between dryer cabinet and adjacent walls or other surfaces are:
 - 0" either side
 - 3" front and rear
- Minimum vertical space from floor to overhead cabinets, ceilings, etc. is 52".
- Closet doors must be louvered or otherwise ventilated and must contain a minimum of 60 sq. in. of open area equally distributed. If this closet contains both a washer and a dryer, doors must contain a minimum of 120 sq. in. of open area equally distributed.
- No other fuel-burning appliance shall be installed in the same closet with a gas dryer.

Bathroom or Bedroom Installation:

- The dryer **MUST** be exhausted to the outdoors.
- The installation must conform with the local codes, or in the absence of local codes, with the National Electric Code and National Fuel Gas Code, ANSI Z223 for gas dryers.

Minimum Clearances other than Alcove or Closet Installation:

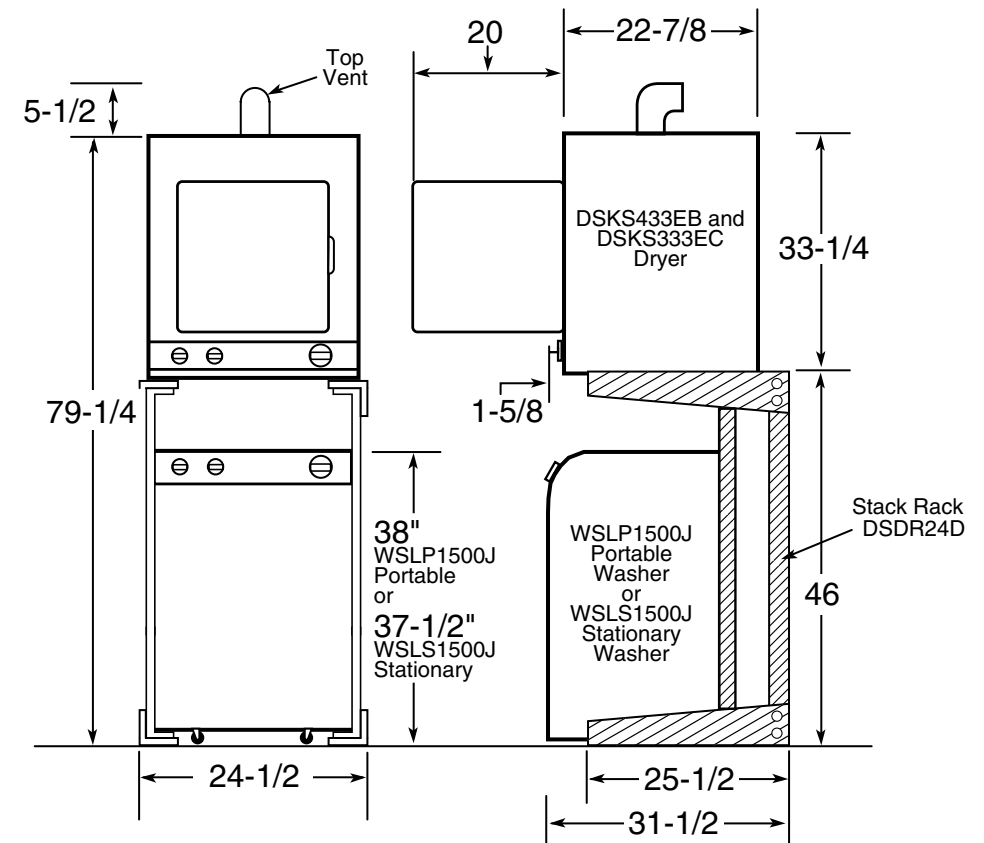
- Minimum clearances to combustible surfaces
 - 0" both sides
 - 3" rear

For answers to your Monogram®, GE Profile™ or GE® appliance questions, visit our website at ge.com or call GE Answer Center® service, 800.626.2000.



Washer Note: Washer wall outlet must be located within 36" of service cord entry. Wall outlet must not be located behind dryer.

Dryer Note: Dryer wall outlet must be located within 36" of service cord entry and accessible when dryer is mounted in position.



Listed by
Underwriters
Laboratories

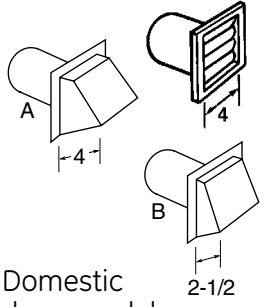
Specification Revised 5/09

360428

WSLP1100A/DSKS333EC

GE Spacemaker® Portable Washer and Stationary Dryer with Stack Rack DSR24RW

Dimensions and Installation Information (in inches)



		Best performance	
		Maximum length of 4" dia. rigid metal duct	
Domestic dryer models	Number of 90° turns	Exhaust hood type	
		A 4" opening	B 2-1/2" opening
DSKS433EB	0	46 ft.	37 ft.
DSKS333EC	1	38 ft.	30 ft.
DSKP333EC	2	31 ft.	22 ft.
WSM2780H	3	24 ft.	15 ft.
WSM2700H	0	56 ft.	42 ft.
	1	46 ft.	36 ft.
	2	34 ft.	28 ft.
	3	32 ft.	18 ft.
WSM2420D	0	43 ft.	36 ft.
WSM2480D	1	33 ft.	26 ft.
	2	23 ft.	16 ft.

For answers to your Monogram®, GE Profile™ or GE® appliance questions, visit our website at ge.com or call GE Answer Center® service, 800.626.2000.



imagination at work

For complete information, see installation instructions packed with your dryer.

Ducting Materials:

For best performance, this dryer should be vented with 4" diameter all rigid metal exhaust duct. If rigid metal duct cannot be used, then UL-listed flexible metal (semi-rigid) ducting can be used (Kit WX08X10077). In special installations, it may be necessary to connect the dryer to the house vent using a flexible metal (foil-type) duct. A UL-listed flexible metal (foil-type) duct may be used **ONLY** in installations where rigid metal or flexible metal (semi-rigid) ducting cannot be used **AND** where a 4" diameter can be maintained throughout the entire length of the transition duct. Please see installation instruction packed with your dryer for complete instructions when using flexible metal (foil type) ducting.

Exhaust Length Calculation:

1. Determine the number of 90° turns needed for your installation. If you exhaust to the side or bottom of dryer, add one turn.
2. The maximum length of 4" rigid (aluminum or galvanized) duct which can be tolerated is shown in the table.

A turn of 45° or less may be ignored. Two 45° turns within the duct length should be treated as a 90° elbow. A turn over 45° should be treated as a 90° elbow.

Dryers **must** be exhausted to the outside.

Caution: For personal safety do not terminate exhaust into a chimney, under any enclosed house floor (crawl space), or into an attic, since the accumulated lint could create a fire hazard or moisture could cause damage. Never terminate the exhaust into a common duct or plenum with a kitchen exhaust, since the combination of lint and grease could create a fire hazard.

Exhaust ducts should be terminated in a dampered wall cap to prevent back drafts, bird nesting, etc. The wall cap must also be located at least 12" above the ground or any other obstruction with the opening pointed down..



Listed by
Underwriters
Laboratories

Specification Revised 5/09

360428

WSLP1100A/DSKS333EC

GE Spacemaker® Portable Washer and Stationary Dryer with Stack Rack DSR24RW

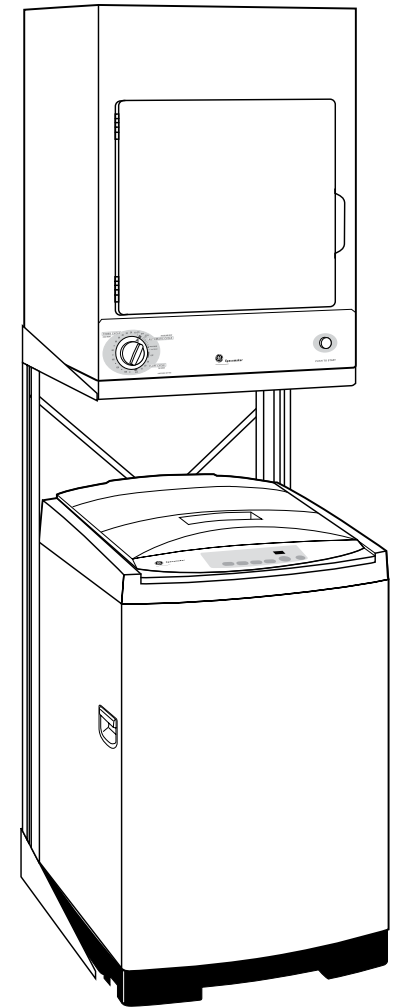
Features and Benefits

- Washer Features:
 - Extra-Large Capacity
 - Electronic One-Touch Controls with LED Read-Out
 - One-Touch Load Sensing
 - 10 Wash Cycles
 - Four Wash Rinse Temperatures
 - 1 Wash/Spin Speed
 - Stainless Steel Tub
- Dryer Features:
 - 3.6 Cu. Ft. Capacity
 - 3 Dry Cycles
 - 3 Heat Selections
- DSR24RW – Metal Rack Allows the Dryer to be Stacked Above the Washer
- Model WSLP1100AWH – White
- Model WSLP1100AWW – White on white
- Model DSKS333ECWH – White
- Model DSKS333ECWW – White on white

For answers to your Monogram,® GE Profile™ or GE® appliance questions, visit our website at ge.com or call GE Answer Center® service, 800.626.2000.



imagination at work



Listed by
Underwriters
Laboratories

Specification Revised 5/09

360428

Free Manuals Download Website

<http://myh66.com>

<http://usermanuals.us>

<http://www.somanuals.com>

<http://www.4manuals.cc>

<http://www.manual-lib.com>

<http://www.404manual.com>

<http://www.luxmanual.com>

<http://aubethermostatmanual.com>

Golf course search by state

<http://golfingnear.com>

Email search by domain

<http://emailbydomain.com>

Auto manuals search

<http://auto.somanuals.com>

TV manuals search

<http://tv.somanuals.com>