



# Washers

**Safety Instructions** ..... 2, 3

**Operating Instructions**

Cleaning the Washer .....12-14  
Control Panels ..... 4, 5  
Control Settings .....6, 7  
Features .....8-10  
Loading and Using the Washer ... .10, 11

**Installation Instructions** ....15-20

Drain Requirements .....18  
Electrical Requirements .....18  
Installing the Washer .....19, 20  
Location of Your Washer .....16  
Preparing to Install Your Washer .....15  
Replacement Parts .....20  
Rough-In Dimensions .....16  
Unpacking Your Washer .....17  
Water Supply Requirements .....18

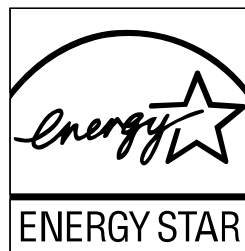
**Troubleshooting Tips** .....21-23

**Consumer Support**

Service Telephone Numbers ..... 26  
Warranty ..... 25

**Owner's Manual & Installation Instructions**

- GBVH5200
- GBVH5300
- GCVH6400
- GCVH6800
- GFAN1000
- GFAN1100



As an ENERGY STAR® partner, GE has determined that this product meets the ENERGY STAR® guidelines for energy efficiency.

**Write the model and serial numbers here:**

**Model #** \_\_\_\_\_

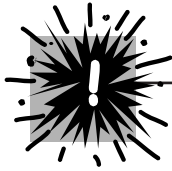
**Serial #** \_\_\_\_\_

You can find them on a label on the side of the washer.

## IMPORTANT SAFETY INFORMATION. READ ALL INSTRUCTIONS BEFORE USING.

**⚠ WARNING!** For your safety, the information in this manual must be followed to minimize the risk of fire or explosion, electric shock, or to prevent property damage, personal injury or loss of life.

The instructions in this manual and all other literature included with this washer are not meant to cover every possible condition and situation that may occur. Good, safe practices and caution **MUST** be applied when installing, operating and maintaining any appliance.



### WATER HEATER SAFETY

Under certain conditions, hydrogen gas may be produced in a water heater that has not been used for two weeks or more. Hydrogen gas can be explosive under these circumstances.

If the hot water has not been used for two weeks or more, prevent the possibility of damage or injury by turning on all hot water faucets and allowing them to run for several minutes. Do this before using any electrical appliance which is connected to the hot water system. This simple procedure will allow any built-up hydrogen gas to escape. Since the gas is flammable, do not smoke or use an open flame or appliance during this process.



### PROPER INSTALLATION

This washer must be properly installed and located in accordance with the Installation Instructions before it is used.

- Install or store where it will not be exposed to temperatures below freezing or exposed to the weather, which could cause permanent damage and invalidate the warranty.
- Properly ground washer to conform with all governing codes and ordinances. Follow details in Installation Instructions.



### YOUR LAUNDRY AREA

- Keep the area underneath and around your appliances free of combustible materials such as lint, paper, rags and chemicals.
- Close supervision is necessary if this appliance is used by or near children. Do not allow children to play on, with or inside this or any other appliance.



## WHEN USING THE WASHER

Use this appliance only for its intended purpose as described in this Owner's Manual.

- Never reach into washer while it is moving. Wait until the machine has completely stopped before opening the door.
- Do not mix chlorine bleach with ammonia or acids such as vinegar and/or rust remover. Mixing different chemicals can produce a toxic gas which may cause death.
- Do not wash or dry articles that have been cleaned in, washed in, soaked in or spotted with combustible or explosive substances (such as wax, oil, paint, gasoline, degreasers, dry-cleaning solvents, kerosene, etc.) which may ignite or explode. Do not add these substances to the wash water. Do not use or place these substances around your washer or dryer during operation.
- The laundry process can reduce the flame retardancy of fabrics. To avoid such a result, carefully follow the garment manufacturer's wash and care instructions.
- To minimize the possibility of electric shock, unplug this appliance from the power supply or disconnect the washer at the building's distribution panel by removing the fuse or switching off the circuit breaker before attempting any maintenance or cleaning. **NOTE:** Pressing the power button does **NOT** disconnect the appliance from the power supply.
- Never attempt to operate this appliance if it is damaged, malfunctioning, partially disassembled, or has missing or broken parts, including a damaged cord or plug.
- Do not slam the washer door closed. Do not try to force the door open when locked (LOCKED indicator ON). This could result in damage to the washer.
- The washer is equipped with an electrical overload protector. The motor will stop if it becomes overheated. The washer will automatically restart after a cool-down period of up to 2 hours, if the washer has not been manually turned off during this time.



## WHEN NOT IN USE

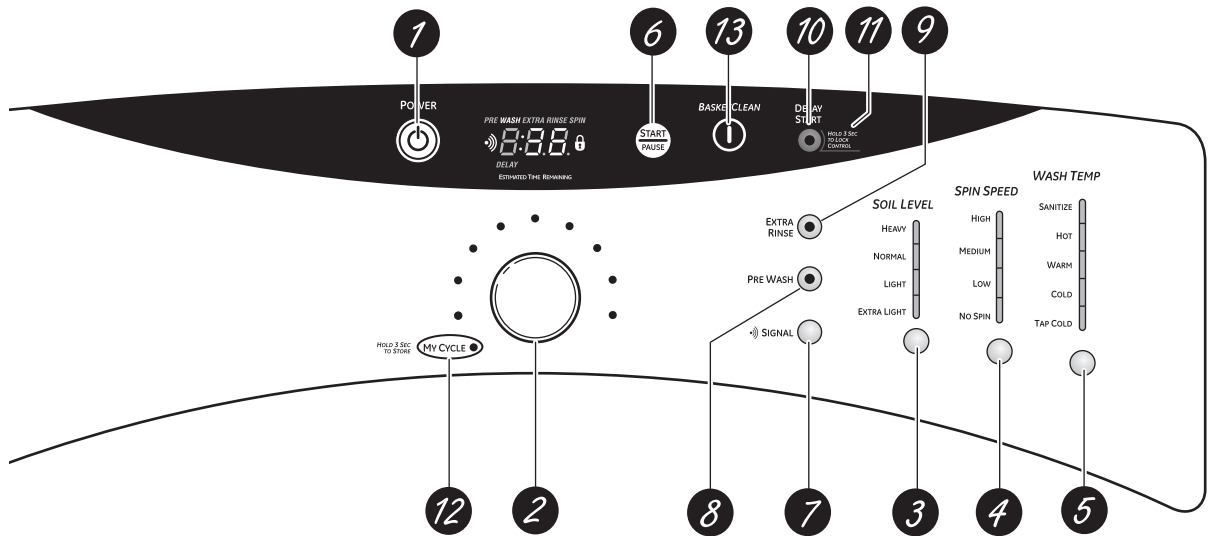
- Turn off water faucets to relieve pressure on hoses and valves and to minimize leakage if a break or rupture should occur. Check the condition of the fill hoses; GE recommends changing the hoses every 5 years.
- Before discarding a washer, or removing it from service, remove the washer door to prevent children from hiding inside.
- Do not attempt to repair or replace any part of this appliance unless specifically recommended in this Owner's Manual, or in published user-repair instructions that you understand and have the skills to carry out.
- Do not tamper with controls.



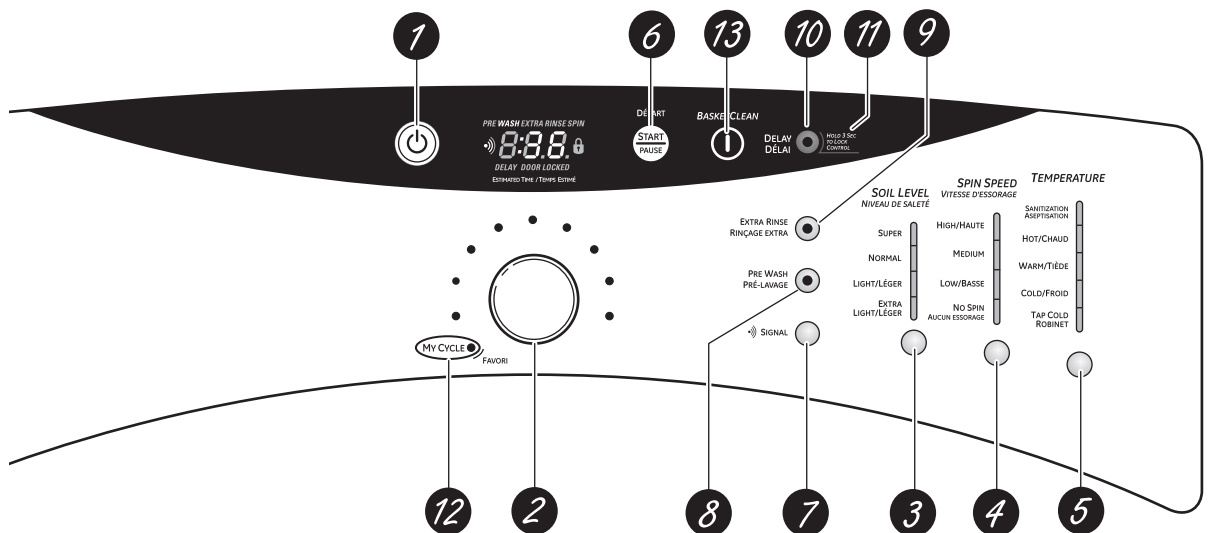
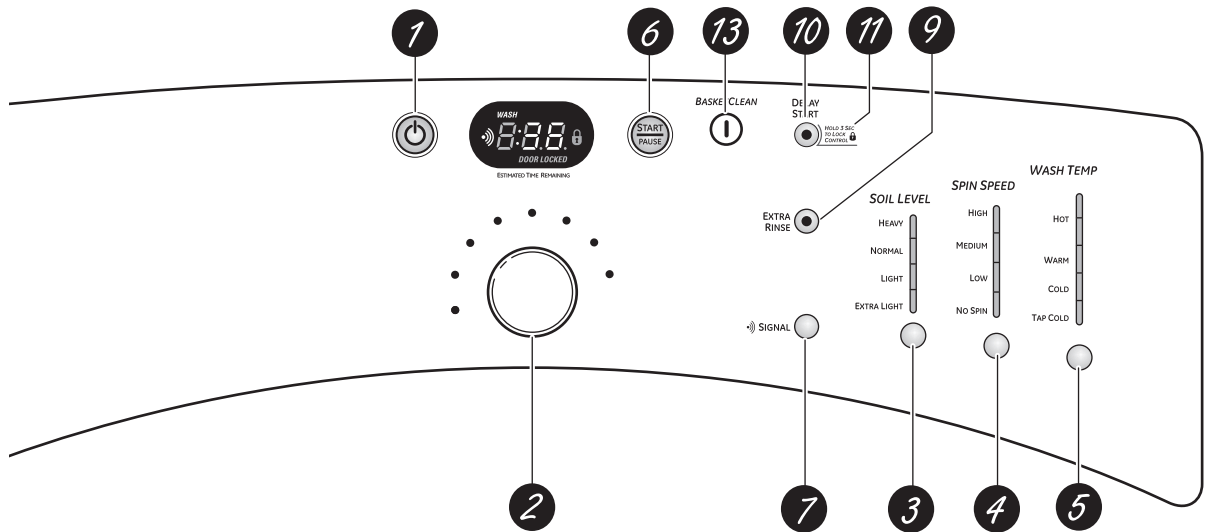
**READ AND FOLLOW THIS SAFETY INFORMATION CAREFULLY.  
SAVE THESE INSTRUCTIONS**

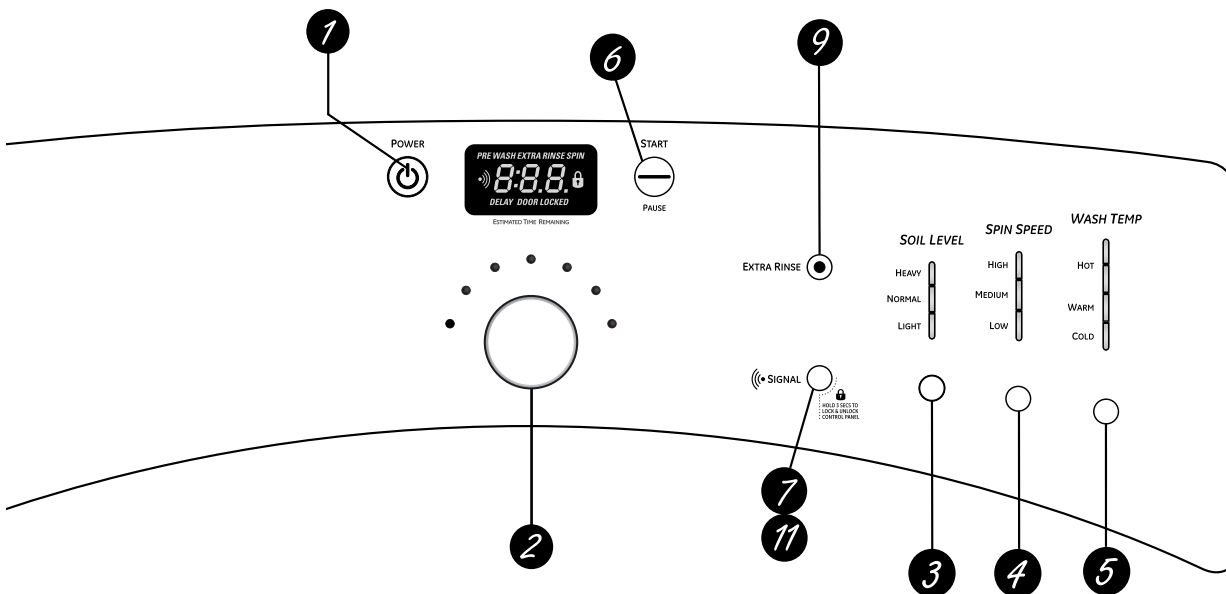
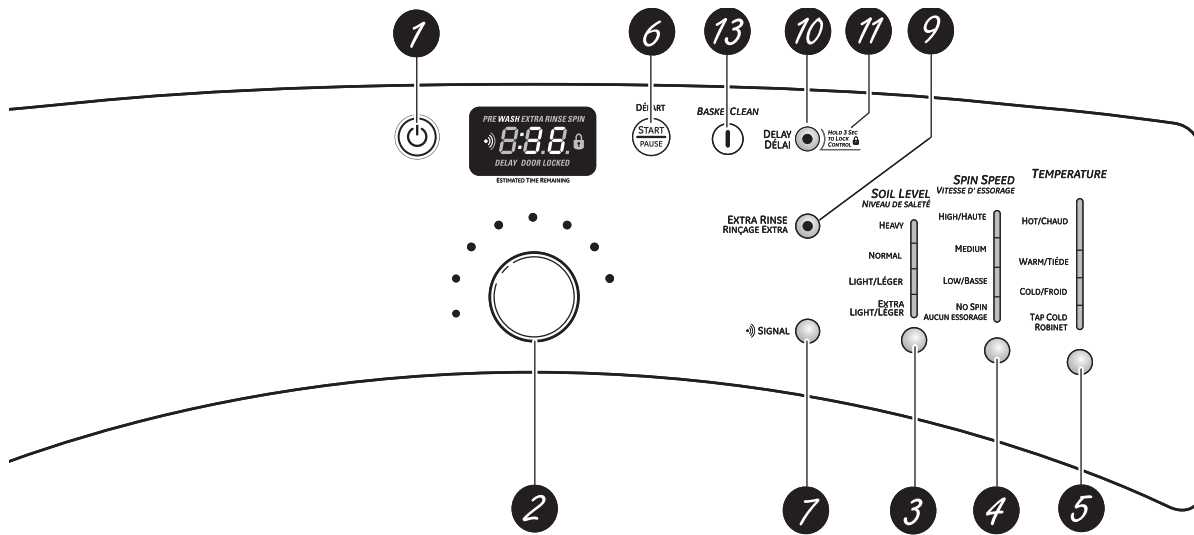
# About the washer control panel.

Find the illustration that closely matches your model and see the cycle descriptions starting on page 6 for details.



(On some models)





## About the washer control panel.

- 1 Power**  
Press to “wake up” the display. If the display is active, press to put the washer into standby mode.

**NOTE:** Pressing **POWER** does not disconnect the appliance from the power supply.

- 2 Wash Cycles**  
The wash cycles are optimized for specific types of wash loads. The chart below will help you match the wash setting with the loads. The GentleClean™ lifters lightly tumble the clothes into the water and detergent solution to clean the load.

<b>WHITES</b>	For heavily to lightly soiled white cottons, household linens, work and play clothes.
<b>COLORS/NORMAL</b>	For heavy to lightly soiled colorfast cottons, household linens, work and play clothes.
<b>STAIN WASH</b>	For heavy soiled colorfast cottons, household linens, work and play clothes.
<b>EASY CARE (PERMA PRESS)</b> (some models)	For wrinkle-free and permanent press items.
<b>ACTIVE WEAR</b> (some models)	For active sports, exercise and some casual wear clothes. Fabrics include modern technology finishes and fibers such as spandex, stretch and micro-fibers.
<b>DELICATES</b> (some models)	For lingerie and special-care fabrics with light to normal soil. Provides gentle tumbling and soak during wash and rinse.
<b>HANDWASH</b>	For items labeled hand-washable with light soils. Provides gentle rocking to mimic the handwashing action.
<b>WASHABLE WOOLS</b> (some models)	For the washing of machine washable wool products, provided that they are washed according to the instructions on the garment label. When selecting this cycle, you must use a detergent suitable for washing wool.
<b>MY CYCLE</b> (some models)	Press to use, create or modify custom wash cycles.
<b>SPEED WASH</b>	For lightly soiled items that are needed in a hurry. Cycle time is approximately 30 minutes, depending on selected options.
<b>DRAIN &amp; SPIN</b>	Drain and spin at any time.
<b>RINSE &amp; SPIN</b>	To quickly rinse out any items at any time.

**3 Soil Level**

Changing the SOIL LEVEL increases or decreases the wash time to remove different amounts of soil. To change the SOIL LEVEL, press the **SOIL LEVEL** button until you have reached the desired setting.

**4 Spin Speed**

Changing the SPIN SPEED changes the final spin speed of the cycles. Always follow the fabric manufacturer's care label when changing the SPIN SPEED.

To change the SPIN SPEED, press the **SPIN SPEED** button until you have reached the desired setting. Higher spin speeds are not available on certain cycles, such as Delicates.

Higher spin speeds remove more water from the clothes and will help reduce dry time, but may also increase the possibility of setting wrinkles on some fabrics.

**5 Wash Temp**

Adjust to select the proper water temperature for the wash cycle. The prewash and rinse water is always cold to help reduce energy usage and reduce setting of stains and wrinkles.

Follow the fabric manufacturer's care label when selecting the wash temperature.

To change the wash temperature, press the **WASH TEMP** button until you have reached the desired setting. The Sanitized wash temperature is not available on certain cycles, such as Delicates.

When selecting the Sanitize wash temperature (on some models), the washer increases the water temperature to sanitize and kill more than 99% of many common bacteria found in home laundry. The sanitize wash temperature is only available on Stain Wash and Whites wash cycles. For best results, select the heavy soil setting when using the Sanitize wash temperature setting.

**NOTE:** The first 10 seconds of the wash fill is always cold. This feature assists in conditioning the fabric and preventing stains from setting on garments.

**6 START/PAUSE**

Press to start a wash cycle. If the washer is running, pressing it once will pause the washer and unlock the door. Press again to restart the wash cycle.

**NOTE:** If the washer is paused and the cycle is not restarted within 2 hours, the current wash cycle will be cancelled.

**NOTE:** The washer performs automatic system checks after pressing the **START** button. Water will flow in 45 seconds or less. You may hear the door lock and unlock before water flows; this is normal.

## About the washer features.

NOTE: Features may not be available on all washer models.

7



### Cycle Signal

Use the **SIGNAL** button to change the volume of the end of cycle signal.

Press the button until you reach the desired volume.

8



### Prewash (on some models)

Prewash is an extra wash before the main wash. Use it for heavily soiled clothes or for clothes with a care label that recommends prewashing before washing. Be sure to add high-efficiency

detergent, or the proper wash additive to the prewash dispenser.

**NOTE:** When selecting prewash, it is recommended to use powder detergent in the main wash (detergent compartment).

9



### Extra Rinse

Use an extra rinse when additional rinsing is desired to remove excess dirt and detergent from soiled loads.

10



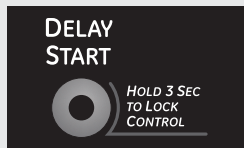
### Delay Start (on some models)

You can delay the start of a wash cycle for 10–18 hours, depending on the model. Press the **DELAY START** button to choose the number of hours you want to delay the start of the cycle, then press the **START** button. The machine will count down and start automatically at the correct time.

**NOTE:** If you forget to fully close the door, a reminder signal will beep reminding you to do so.

**NOTE:** If you open the door when the delay is counting down, the machine will enter the pause state. You must close the door and press **START** again in order to restart the countdown.

11



### Lock

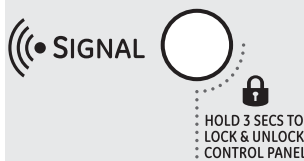
You can lock the controls to prevent any selections from being made. Or you can lock the controls after you have started a cycle.

To lock the washer, press and hold the **DELAY START** button for 3 seconds (on some models use the **SIGNAL** button). To unlock the washer controls, press and hold the **DELAY START** button for 3 seconds.

*Children cannot accidentally start the washer by touching pads with this option selected.*

The control lock icon on the display will light up when it is on.

**NOTE:** The **POWER** button can still be used when the machine is locked.



12



### MY CYCLE (on some models)

To save a favorite cycle, set the desired settings for wash cycle, soil level, spin speed and wash temp settings and hold down the **MY CYCLE** button for 3 seconds. A beep will sound to indicate the cycle has been saved.

**NOTE:** When using **MY CYCLE**, wash options cannot be modified after the cycle has been started.

To use your custom cycle, press the **MY CYCLE** button before washing a load.

**NOTE:** If you change wash options with **MY CYCLE** before starting the cycle, the **MY CYCLE** light will turn off and you will be returned to the base cycle.

To change the saved cycle, set the desired settings and hold down the **MY CYCLE** button for 3 seconds.

13



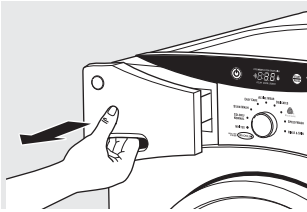
### BASKET CLEAN

**BasketClean** is a cycle that freshens up the inside of your washer. The cycle uses bleach or other available washing machine cleaners and more water to refresh your washer. Use **BasketClean**

once every month to reduce odor and residue buildup inside the washer.

For more information on **BasketClean**, refer to the *Care and Cleaning* section on page 12.



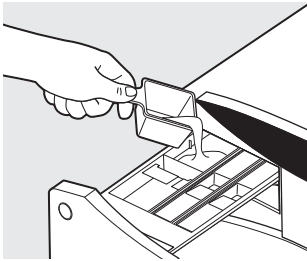


### The Dispenser Drawer

Slowly open the dispenser drawer by pulling it out until it stops.

After adding laundry products, slowly close the dispenser drawer. Closing the drawer too quickly could result in early dispensing of the bleach, fabric softener or detergent.

You may see water in the bleach and fabric softener compartments at the end of the cycle. This is a result of the flushing/siphoning action and is part of the normal operation of the washer.

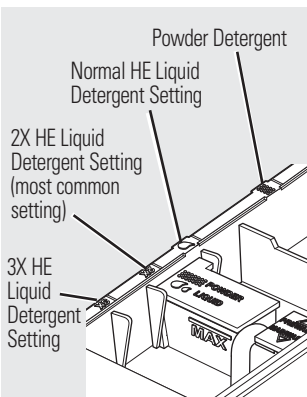


### The Prewash Compartment (on some models)

- Only use the Prewash Compartment if you are selecting the Prewash cycle for heavily soiled clothes. Add measured detergent or prewash additive to the back left prewash compartment of the dispenser drawer.
- Detergent or prewash additive is flushed from the dispenser in the prewash cycle (if selected).

**NOTE:** Liquid detergent will drain into the washer drum as it is added.

- Detergent usage may need to be adjusted for water temperature, water hardness, size and soil level of the load. Avoid using too much detergent in your washer as it can lead to over sudsing and detergent residue being left on the clothes.



Appearance may vary

### The Detergent Compartment

- High-efficiency detergent is required for this washer. Use the detergent manufacturer's recommended amount.**

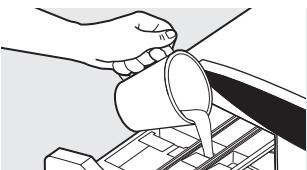
The detergent selection insert must be placed in the detergent compartment in a specific position according to what type of detergent you are using.

- Powder Detergent** - Place the insert in the rear position. The Powder Icons must line up on center when the insert is in the powder position.
- Liquid Detergent** - You will need to adjust the insert according to the type of Liquid Detergent you are using. The Icons on the side of the detergent compartment must line up on the center when the insert is in position.

**NOTE:** Not all models have the 2x and 3x detergent settings. Some have only regular HE detergent settings. You must reduce the amount of detergent for 2x or 3x detergent per bottle instructions.

Move the insert by pulling it up and replace it by sliding it down between either the rear or front detergent compartment molded rails, as desired, for powder or liquid detergent.

- Add measured detergent to the front left detergent compartment of the dispenser drawer.
- Detergent is flushed from the dispenser at the beginning of the wash cycle. Either powdered or liquid detergent can be used.
- Detergent usage may need to be adjusted for water temperature, water hardness, size and soil level of the load. Avoid using too much detergent in your washer as it can lead to oversudsing and detergent residue being left on the clothes.
- Using more detergent than the recommended quantity can cause residue buildup on your washer.




On some models, the Liquid Bleach Compartment is in the center.



On some models, the Liquid Bleach Compartment is on the right.

### The Liquid Bleach Compartment

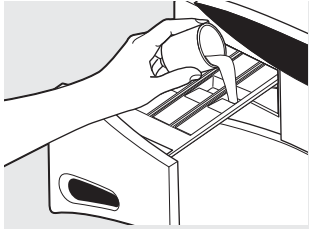
**IMPORTANT:** The bleach compartment position varies by model. Be sure to identify the correct compartment for bleach before using.

If desired, measure out the recommended amount of liquid bleach, not to exceed 1/3 cup (80 ml), and pour into the center compartment labeled "LIQUID BLEACH" marked with this symbol .

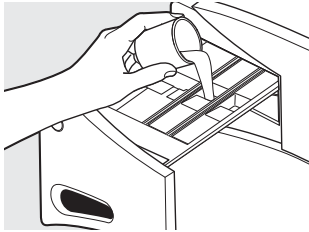
Do not exceed the maximum fill line. Overfilling can cause early dispensing of the bleach which could result in damaged clothes.

**NOTE:** Do not use powdered bleach in the dispenser.

## About the washer features.



On some models, the Fabric Softener Compartment is on the right.



On some models, the Fabric Softener Compartment is in the center.

### The Fabric Softener Compartment

**IMPORTANT:** The fabric softener compartment position varies by model. Be sure to identify the correct compartment for fabric softener before using.

If desired, pour the recommended amount of liquid fabric softener into the compartment labeled "FABRIC SOFTENER."

Use only liquid fabric softener in the dispenser.

Dilute with water to the maximum fill line.

Do not exceed the maximum fill line. Overfilling can cause early dispensing of the fabric softener which could stain clothes.

**NOTE:** Do not pour fabric softener directly on the wash load.

## Loading and using the washer.

Always follow fabric manufacturer's care label when laundering.



### Sorting Wash Loads

Sort laundry into loads that can be washed together.

Colors	Soil	Fabric	Lint
Whites	Heavy	Delicates	Lint Producers
Lights	Normal	Easy Care	Lint Collectors
Darks	Light	Sturdy Cottons	

- Combine large and small items in a load. Load large items first. Large items should not be more than half the total wash load.
- Washing single items is not recommended. This may cause an out-of-balance load. Add one or two similar items.
- Pillows and comforters should not be mixed with other items. This may cause an out-of-balance load.

### Preparing Clothes

Follow these steps to maximize garment care.

- To avoid snags during washing:
  - Close garment zippers, snaps, buttons and hooks.
  - Mend seams, hems, tears.
  - Empty all items from pockets.
  - Remove nonwashable garment accessories such as ornaments and nonwashable trim materials.
- To avoid tangling, tie strings, draw ties and belt-like materials.
- Brush away surface dirt and lint; treat spots and stains.
- Promptly wash wet or stained garments to maximize results.
- Mix garments using recommended maximum load sizes on page 11.
- Use nylon mesh garment bags to wash small items.
- Wash multiple garments at one time for best results.



## Loading the Washer

Wash drum may be fully loaded with loosely added items. **Do not wash fabrics containing flammable materials (waxes, cleaning fluids, etc.).**

To add items after washer has started, press **START/PAUSE** and wait until the door is unlatched. The washer may take up to 30 seconds to unlock the door after pressing **START/PAUSE** depending on the machine conditions. Do not try to force open the door when it is locked. After the door unlocks, open gently. Add items, close the door and press **START/PAUSE** to restart.

### Maximum Loading Sizes\*

WORKWEAR	LINENS	MIXED LOAD	DELICATES**	SPEED WASH (2-4 GARMENTS)
4 Jeans 5 Workwear Shirts 5 Workwear Pants	2 Bath Sheets 10 Bath Towels/ 12 Washcloths 7 Hand Towels/ 2 Terrycloth Bath Mats <b>OR</b> 2 Flat Queen-Sized Sheets 2 Fitted Queen- Sized Sheets 4 Pillowcases	4 Pillowcases 2 Hand Towels 2 Flat Sheets/ 2 Fitted Sheets 2 Bath Towels/ 4 Washcloths <b>OR</b> 6 Shirts (Men's or Women's) 4 Pair Pants (Khakis or Twills) 5 T-Shirts 7 Pairs of Boxers 4 Pairs of Shorts <b>OR</b> 6 T-Shirts 4 Pairs of Sweatpants 4 Sweatshirts 2 Hoodies 7 Pairs of Socks	7 Bras 7 Panties 3 Slips 2 Camisoles 4 Nightgowns	2 Casual Wear Work Shirts 1 Pair Casual Wear Work Pants <b>OR</b> 3 Soccer Uniforms

\*Exceeding maximum recommended load sizes may affect cleaning performance and garment care.

\*\*Using a nylon mesh bag for small items is recommended.

## Cleaning the washer.



### Care and Cleaning

**Exterior:** Immediately wipe off any spills. Wipe with damp cloth. Do not hit surface with sharp objects.

**Moving and Storage:** Ask the service technician to remove water from drain pump and hoses. Do not store the washer where it will be exposed to the weather. When moving the washer, the tub should be kept stationary by using the shipping bolts removed during installation. See Installation Instructions in this book. If these parts are not available, they can be ordered by visiting our Website at [www.GEAppliances.ca](http://www.GEAppliances.ca) or by calling 1.800.561.3344.

**Long Vacations:** Be sure the water supply is shut off at the faucets. Drain all water from the hoses if the weather will be below freezing.

### Cleaning the Interior of the Washer

To clean the interior of the washer, select the **BasketClean** feature on the control panel. The cycle will use more water, in addition to bleach, to refresh your washer.

**NOTE:** Read the instructions below completely before starting the **BasketClean** cycle.

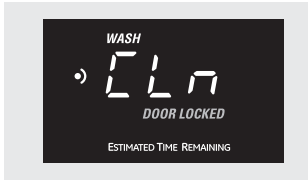
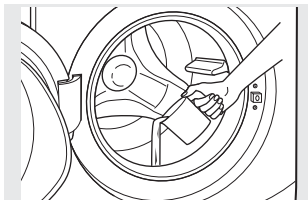
1. Remove any garments or objects from the washer and ensure the washer basket is empty.
2. Open the washer door and pour one cup or 250 ml of liquid bleach or other washing machine cleaner into the basket.
3. Close the door and select the **BasketClean** cycle. Push the **START** button.
4. When the **BasketClean** cycle is working, you will see **CLn** on the display. The cycle will complete in about 90 minutes. Do not interrupt the cycle.
5. After the cycle is complete, leave the door open slightly for better ventilation.

If for any reason the cycle needs to be interrupted, the door will not open immediately. Forcing open the door at this stage may cause water to flood. The door will open after the water is drained to a level where it would not flood the floor.

**BasketClean** may be interrupted by pressing the **START/PAUSE** button in between cycles. A power outage in the house might also interrupt the cycle. When the power supply is back, the **BasketClean** cycle resumes where it had stopped. When interrupted, be sure to run a complete **BasketClean** cycle before using the washer. If the **POWER** button is pressed during **BasketClean**, the cycle will be lost.

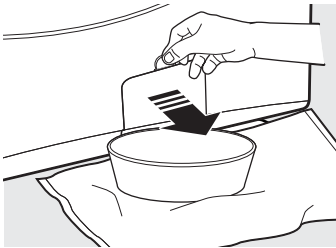
#### IMPORTANT:

- Run **BasketClean** with 1 Cup (250 ml) of bleach once a month.
- After the completion of a **BasketClean** cycle, the interior of your washer may have a bleach smell.
- It is recommended to run a light color load after the **BasketClean** cycle.

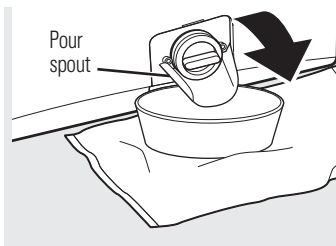


### Cleaning the Pump Filter

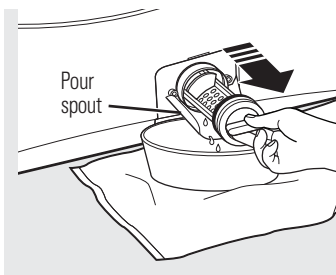
Due to the nature of the front-load washer, it is sometimes possible for small articles to pass to the pump. The washer has a filter to capture lost items so they are not dumped to the drain. To retrieve lost items, clean out the pump filter.



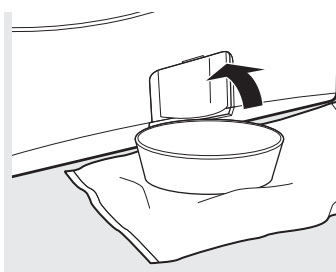
1. Using a coin or flat screwdriver in the notch on the door, open the access door.
2. Place a shallow pan or dish under the pump access door and towels on the floor in front of the washer to protect the floor. It is normal to catch about a cup of water when the filter is removed.



3. Pull down the pour spout.



4. Turn the pump filter counterclockwise and remove the filter. Open slowly to allow the water to drain.
5. Clean the debris from the filter.
6. Replace the filter and turn clockwise. Tighten securely.



7. Flip up the pour spout.
8. Close the access door.

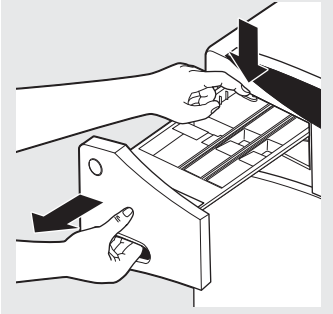
### Cleaning the Door Gasket

Open the washer door. Using both hands, press down the door gasket. Remove any foreign objects if found trapped inside the gasket. Make sure there is nothing blocking the holes behind the gasket.

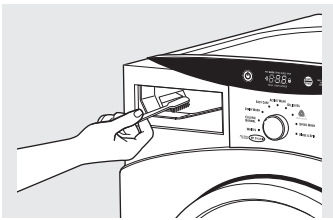
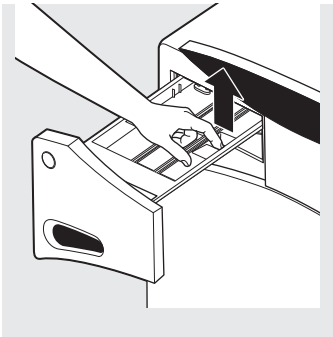
While holding down the door gasket, inspect the interior gasket by pulling it down with your fingers. Remove any foreign objects if found trapped inside this gasket. Make sure there is nothing blocking the holes behind the gasket.

When you are finished cleaning the door gasket, remove your hands and the gasket will return to the operating position.

## Cleaning the washer.



Lock tab is visible only after drawer has been pulled out



**Dispenser Drawer Area:** Detergent and fabric softener may build up in the dispenser drawer. Residue should be removed once or twice a month.

- Remove the drawer by first pulling it out until it stops. Then reach back into the left rear corner of the drawer cavity and press down firmly on the lock tab, pulling out the drawer.

- Remove the inserts from the bleach and fabric softener compartments and the detergent insert. Rinse the inserts and the drawer with hot water to remove traces of accumulated laundry products.

- To clean the drawer opening, use a small brush to clean the recess. Remove all residue from the upper and lower parts of the recess.
- Return inserts to the proper compartments. Replace the dispenser drawer.

# Installation Instructions

# Washer

If you have any questions, call 1.800.561.3344 or visit our Website at: [www.GEAppliances.ca](http://www.GEAppliances.ca)

## BEFORE YOU BEGIN

Read these instructions completely and carefully.

- **IMPORTANT** – Save these instructions for local inspector's use.
- **IMPORTANT** – Observe all governing codes and ordinances.
- **Note to Installer** – Be sure to leave these instructions with the Consumer.
- **Note to Consumer** – Keep these instructions for future reference.
- **Skill level** – Installation of this appliance requires basic mechanical and electrical skills.
- **Completion time** – 1-3 hours
- Proper installation is the responsibility of the installer.
- Product failure due to improper installation is not covered under the Warranty.

## FOR YOUR SAFETY:

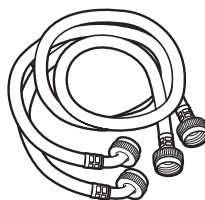
### WARNING

- This appliance must be properly grounded and installed as described in these *Installation Instructions*.
- Do not install or store the appliance in an area where it will be exposed to water/weather. See the *Location of Your Washer* section.
- **NOTE: This appliance must be properly grounded, and electrical service to the washer must conform with local codes and ordinances and the latest edition of the National Electrical Code, ANSI/NFPA 70.**

## TOOLS REQUIRED FOR WASHER INSTALLATION

- 1/4" nut driver
- 3/8" socket with ratchet
- 3/8" open-end wrench
- Adjustable wrench or 7/16" socket with ratchet
- Adjustable wrench or 9/16" open-end wrench
- Channel-lock adjustable pliers
- Carpenter's level

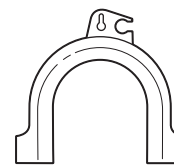
## PARTS SUPPLIED



Water Hoses (2)



Cable Tie



Hose Guide

## STACK BRACKET KIT

A stack bracket kit is available at additional cost. It can be ordered in Canada by visiting our website at [www.GEAppliances.ca](http://www.GEAppliances.ca) or calling 1.800.561.3344. Order kit #WE25X10018 or GEFLSTACK.

# Installation Instructions

## LOCATION OF YOUR WASHER

### Do Not Install the Washer:

1. In an area exposed to dripping water or outside weather conditions. The ambient temperature should never be below 60°F (15.6°C) for proper washer operation.
2. In an area where it will come in contact with curtains or drapes.
3. On carpet. The floor **MUST** be a hard surface with a maximum slope of 1/2" per foot (1.27 cm per 30 cm). To make sure the washer does not vibrate or move, you may have to reinforce the floor.

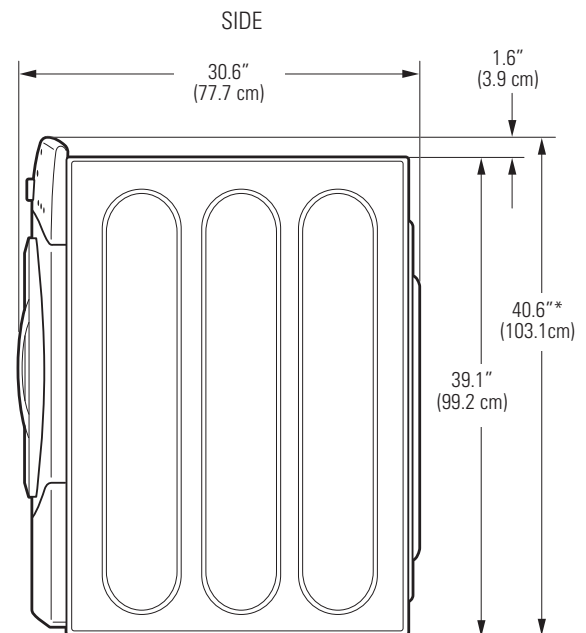
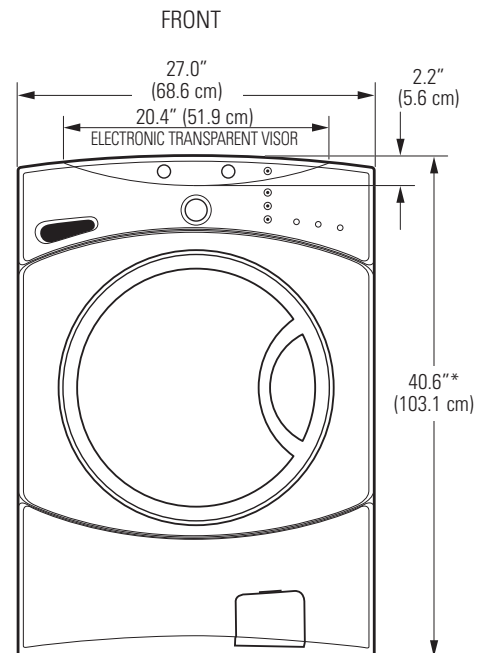
**NOTE:** If floor is in poor condition, use 3/4" impregnated plywood sheet solidly attached to the existing floor covering.

### IMPORTANT:

### Minimum Installation Clearances

- When installed in alcove: Sides, Rear, Top = 0" (0 cm)
- When installed in closet: Sides, Rear, Top = 0" (0 cm), Front = 1" (2.54 cm)
- Closet door ventilation openings required: 2 louvers each 60 square in. (387 cm<sup>2</sup>), located 3" (7.6 cm) from top and bottom of door

## ROUGH-IN DIMENSIONS



\*NOTE: With pedestal, 52.6"  
Stacked, 84"



# Installation Instructions

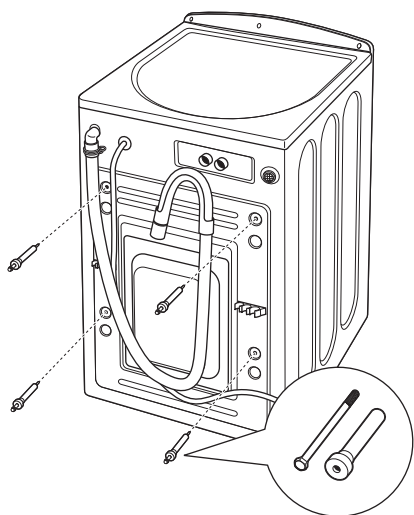
## UNPACKING THE WASHER

**⚠ WARNING:** Recycle or destroy the carton and plastic bags after the washer is unpacked. Make materials inaccessible to children. Children might use them for play. Cartons covered with rugs, bedspreads or plastic sheets can become airtight chambers causing suffocation.

1. Cut and remove the top and bottom packaging straps.
2. While it is in the carton, carefully lay the washer on its side. **DO NOT** lay the washer on its front or back.
3. Turn down the bottom flaps—remove all base packaging, including the cardboard, styrofoam base and styrofoam tub support (inserted in center of base).

**NOTE:** If you are installing a pedestal, proceed to the installation instructions that come with the pedestal.

4. Carefully return the washer to an upright position and remove the carton.
5. Carefully move the washer to within 4 feet (122 cm) of the final location.
6. Remove the following from the back side of the washer:
  - 4 bolts
  - 4 plastic spacers (including rubber grommets)
  - 4 power cord retainers



**NOTE:** Failure to remove the shipping braces can cause the washer to become severely unbalanced.

**Save all bolts for future use.**

**NOTE:** If you must transport the washer at a later date, you must reinstall the shipping support hardware to prevent shipping damage. Keep the hardware in the plastic bag provided.

**In case you misplace your shipping bolts, replacements are available at additional cost. They can be ordered in Canada by visiting our website at [www.GEAppliances.ca](http://www.GEAppliances.ca) or calling 1.800.561.3344. Order kit #WH49X10039.**

# Installation Instructions

## ELECTRICAL REQUIREMENTS

Read these instructions completely and carefully.

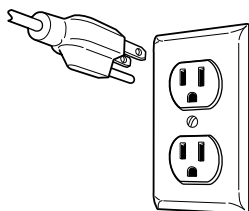
### **⚠ WARNING**—TO REDUCE THE RISK OF FIRE, ELECTRICAL SHOCK AND PERSONAL INJURY:

- **DO NOT USE AN EXTENSION CORD OR AN ADAPTER PLUG WITH THIS APPLIANCE.**  
Washer must be electrically grounded in accordance with local codes and ordinances, or in the absence of local codes, in accordance with the NATIONAL ELECTRICAL CODE, ANSI/NFPA NO. 70.

**CIRCUIT** – Individual, properly polarized and grounded 15-amp branch circuit fused with 15-amp time-delay fuse or circuit breaker.

**POWER SUPPLY** – 2-wire, with ground, 120-volt, single-phase, 60-Hz, alternating current.

**OUTLET RECEPTACLE** – Properly grounded 3-prong receptacle to be located so the power supply cord is accessible when the washer is in an installed position.



## GROUNDING REQUIREMENTS

**⚠ WARNING:** Improper connection of the equipment grounding conductor can result in a risk of electrical shock. Check with a licensed electrician if you are in doubt as to whether the appliance is properly grounded.

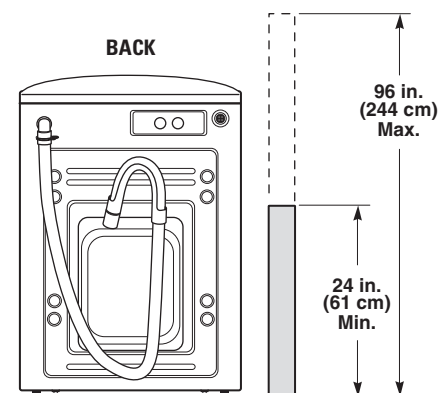
1. The washer **MUST** be grounded. In the event of malfunction or breakdown, grounding will reduce the risk of electrical shock by providing a path of least resistance for electrical current.
2. Since your washer is equipped with a power supply cord having an equipment-grounding conductor and a grounding plug, the plug **MUST** be plugged into an appropriate, copper-wired receptacle that is properly installed and grounded in accordance with all local codes and ordinances or in the absence of local codes, with the National Electrical Codes, ANSI/NFPA 70 (latest edition). If in doubt, call a licensed electrician. **DO NOT** cut off or alter the grounding prong on the power supply cord. In situations where a two-slot receptacle is present, it is the owner's responsibility to have a licensed electrician replace it with a **properly grounded** three-prong grounding-type receptacle.

## WATER SUPPLY REQUIREMENTS

Hot and cold water faucets **MUST** be installed within 42 inches (107 cm) of your washer's water inlet. The faucets **MUST** be 3/4" (1.9 cm) garden hose-type so inlet hoses can be connected. Water pressure **MUST** be between 10 and 120 pounds per square inch. Your water department can advise you of your water pressure. The hot water temperature should be set to deliver water at 120° to 140°F (48°–60°C).

## DRAIN REQUIREMENTS

1. Drain capable of eliminating 17 gals (64.3 L) per minute.
2. A standpipe diameter of 1-1/4" (3.18 cm) minimum.
3. The standpipe height above the floor should be:  
Minimum height: 24" (61 cm)  
Maximum height: 96" (244 cm)

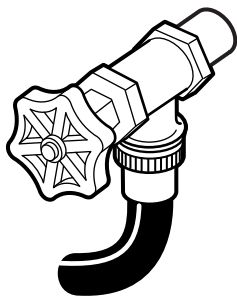
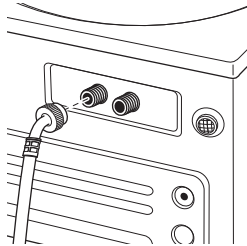


**NOTE:** The drain hose attached to the washer can reach a 58" (147 cm) high standpipe. For a higher standpipe, contact an authorized parts distributor.

# Installation Instructions

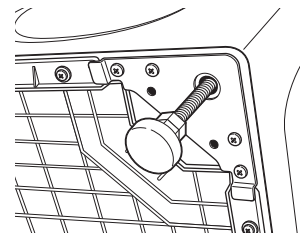
## INSTALLING THE WASHER

1. Run some water from the hot and cold faucets to flush the water lines and remove particles that might clog up the water valve screens.
2. Remove the inlet hoses from the plastic bag.
3. (90° elbow end) Carefully connect the inlet hose marked HOT to the outside "H" outlet of the water valve. Tighten by hand, then tighten another 2/3 turn with pliers. Carefully connect the other inlet hose to the inside "C" outlet of the water valve. Tighten by hand; then tighten another 2/3 turn with pliers. **Do not crossthread or over-tighten these connections.**
4. Connect the inlet hose ends to the HOT and COLD water faucets tightly by hand, then tighten another 2/3 turn with pliers. Turn the water on and check for leaks.



5. Carefully move the washer to its final location. Gently rock the washer into position. It is important not to damage the rubber leveling legs when moving your washer to its final location. Damaged legs can increase washer vibration. It may be helpful to spray window cleaner on the floor to help move your washer into its final position. **NOTE:** To reduce vibration, ensure that all four rubber leveling legs are firmly touching the floor. Push and pull on the back right and then back left of your washer. **NOTE:** Do not use the dispenser drawer or door to lift the washer. **NOTE:** If you are installing into a drain pan, you can use a 24-inch long 2x4 to lever the washer into place.

6. With the washer in its final position, place a level on top of the washer (if the washer is installed under a counter, the washer should not be able to rock). Adjust the front leveling legs up or down to ensure the washer is resting solid. Turn the lock nuts on each leg up towards the base of the washer and snug with a wrench. **NOTE:** Keep the leg extension at a minimum to prevent excessive vibration. The farther out the legs are extended, the more the washer will vibrate. If the floor is not level or is damaged, you may have to extend the rear leveling legs.

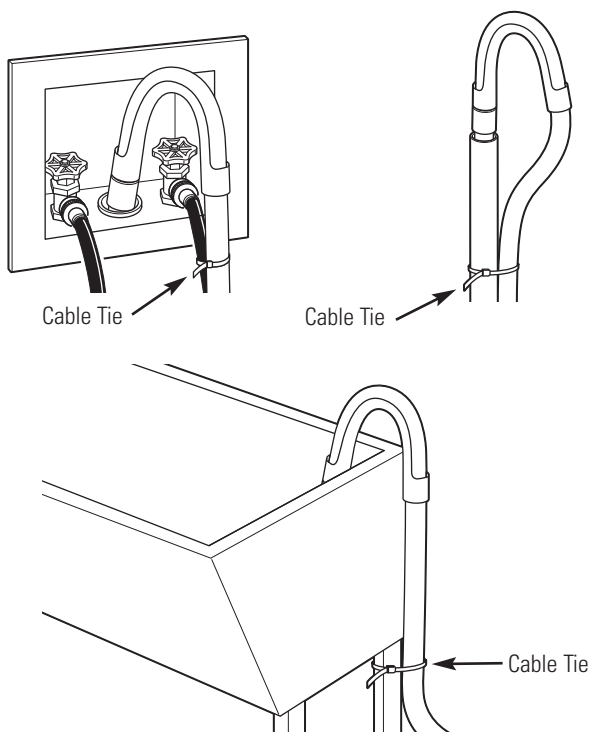


# Installation Instructions

## INSTALLING THE WASHER (cont.)

7. Attach the U-shaped hose guide to the end of the drain hose. Place the hose in a laundry tub or standpipe and secure it with the cable tie provided in the enclosure package.

**NOTE:** Placing the drain hose too far down the drain pipe can cause a siphoning action. No more than 7 inches of hose should be in the drain pipe. There must be an air gap around the drain hose. A snug fit can also cause a siphoning action.



8. Plug the power cord into a grounded outlet.

**NOTE:** Check to be sure the power is off at the circuit breaker/fuse box before plugging the power cord into an outlet.

9. Turn on the power at the circuit breaker/fuse box.

10. Read the rest of this Owner's Manual. It contains valuable and helpful information that will save you time and money.

**11. Before starting the washer, check to make sure:**

- Main power is turned on.
- The washer is plugged in.
- The water faucets are turned on.
- The unit is level and all four leveling legs are firmly on the floor.
- The shipping support hardware is removed and saved.
- The drain hose is properly tied up.
- There are no leaks at the faucet, drain line or washer.

12. Run the washer through a complete cycle. Check for water leaks and proper operation.

13. If your washer does not operate, please review the *Before You Call For Service* section before calling for service.

14. Place these instructions in a location near the washer for future reference.

## REPLACEMENT PARTS

If replacement parts are needed for your washer, they can be ordered by visiting our Website at [www.GEAppliances.ca](http://www.GEAppliances.ca) or calling 1.800.561.3344.

# Before you call for service...



**Troubleshooting Tips**  
 Save time and money! Review the charts on the following pages first and you may not need to call for service.

Problem	Possible Cause	What To Do
<b>Not draining Not spinning Not agitating</b>	<b>Load is out of balance</b>	<ul style="list-style-type: none"> <li>• Redistribute clothes and run drain &amp; spin or rinse &amp; spin.</li> <li>• Increase load size if washing small load containing heavy and light items.</li> </ul>
	<b>Pump clogged</b>	<ul style="list-style-type: none"> <li>• See page 13 on how to clean the Pump Filter.</li> </ul>
	<b>Drain hose is kinked or improperly connected</b>	<ul style="list-style-type: none"> <li>• Straighten drain hose and make sure washer is not sitting on it.</li> </ul>
	<b>Household drain may be clogged</b>	<ul style="list-style-type: none"> <li>• Check household plumbing. You may need to call a plumber.</li> </ul>
	<b>Drain hose siphoning; drain hose pushed too far down the drain</b>	<ul style="list-style-type: none"> <li>• Ensure there is an air gap between hose and drain.</li> </ul>
<b>Leaking water</b>	<b>Door gasket is damaged</b>	<ul style="list-style-type: none"> <li>• Check to see if gasket is seated and not torn. Objects left in pockets may cause damage to the washer (nails, screws, pens, pencils).</li> </ul>
	<b>Door gasket not damaged</b>	<ul style="list-style-type: none"> <li>• Water may drip from the door when the door is opened. This is a normal operation.</li> <li>• Carefully wipe off rubber door seal. Sometimes dirt or clothing is left in this seal and can cause a small leak.</li> </ul>
	<b>Check back left of washer for water</b>	<ul style="list-style-type: none"> <li>• If this area is wet, you have oversudsing condition. Use less detergent.</li> </ul>
	<b>Fill hoses or drain hose is improperly connected</b>	<ul style="list-style-type: none"> <li>• Make sure hose connections are tight at washer and faucets and make sure end of drain hose is correctly inserted in and secured to drain facility.</li> </ul>
	<b>Household drain may be clogged</b>	<ul style="list-style-type: none"> <li>• Check household plumbing. You may need to call a plumber.</li> </ul>
	<b>Dispenser clogged</b>	<ul style="list-style-type: none"> <li>• Powder soap may cause clogs inside the dispenser and cause water to leak out the front of the dispenser. Remove drawer and clean both drawer and inside of dispenser box. Please refer to <i>Cleaning the Washer</i> section.</li> </ul>
	<b>Incorrect use of detergent</b>	<ul style="list-style-type: none"> <li>• Use HE and correct amount of detergent.</li> </ul>
	<b>Dispenser box crack</b>	<ul style="list-style-type: none"> <li>• If new installation, check for crack on inside of dispenser box.</li> </ul>
<b>Clothes too wet</b>	<b>Load is out of balance</b>	<ul style="list-style-type: none"> <li>• Redistribute clothes and run drain &amp; spin or rinse &amp; spin.</li> <li>• Increase load size if washing small load containing heavy and light items.</li> <li>• The machine will slow the spin speed down to 410 rpm if it has a hard time balancing the load. This speed is normal.</li> </ul>
	<b>Pump clogged</b>	<ul style="list-style-type: none"> <li>• See page 13 on how to clean the Pump Filter.</li> </ul>
	<b>Overloading</b>	<ul style="list-style-type: none"> <li>• The dry weight of the load should be less than 16 lb.</li> </ul>
	<b>Drain hose is kinked or improperly connected</b>	<ul style="list-style-type: none"> <li>• Straighten drain hose and make sure washer is not sitting on it.</li> </ul>
	<b>Household drain may be clogged</b>	<ul style="list-style-type: none"> <li>• Check household plumbing. You may need to call a plumber.</li> </ul>
	<b>Drain hose siphoning; drain hose pushed too far down the drain</b>	<ul style="list-style-type: none"> <li>• Ensure there is an air gap between hose and drain.</li> </ul>

Safety Instructions

Operating Instructions

Installation Instructions

Troubleshooting Tips

Consumer Support

## Before you call for service...

Problem	Possible Cause	What To Do
<i>Incomplete cycle or timer not advancing</i>	Automatic load redistribution	<ul style="list-style-type: none"> <li>Timer adds 3 minutes to cycle for each rebalance. 11 or 15 rebalances may be done. This is normal operation. Do nothing; the machine will finish the wash cycle.</li> </ul>
	Pump clogged	<ul style="list-style-type: none"> <li>See page 13 on how to clean the Pump Filter.</li> </ul>
	Drain hose is kinked or improperly connected	<ul style="list-style-type: none"> <li>Straighten drain hose and make sure washer is not sitting on it.</li> </ul>
	Household drain may be clogged	<ul style="list-style-type: none"> <li>Check household plumbing. You may need to call a plumber.</li> </ul>
	Drain hose siphoning; drain hose pushed too far down the drain	<ul style="list-style-type: none"> <li>Ensure there is an air gap between hose and drain.</li> </ul>
<i>Loud or unusual noise; vibration or shaking</i>	Cabinet moving	<ul style="list-style-type: none"> <li>Washer is designed to move 1/4" to reduce forces transmitted to the floor. This movement is normal.</li> </ul>
	All rubber leveling legs are not firmly touching the floor	<ul style="list-style-type: none"> <li>Push and pull on the back right and then back left of your washer to check if it is level. If the washer is uneven, adjust the rubber leveling legs so they are all firmly touching the floor and locked in place. Your installer should correct this problem.</li> </ul>
	Unbalanced load	<ul style="list-style-type: none"> <li>Open door and manually redistribute load. To check machine, run rinse and spin with no load. If normal, unbalance was caused by load.</li> </ul>
	Pump clogged	<ul style="list-style-type: none"> <li>See page 13 on how to clean the Pump Filter.</li> </ul>
<i>No power/washer not working or dead</i>	Washer is unplugged	<ul style="list-style-type: none"> <li>Make sure cord is plugged securely into a working outlet.</li> </ul>
	Water supply is turned off	<ul style="list-style-type: none"> <li>Turn both hot and cold faucets fully on.</li> </ul>
	Circuit breaker/fuse is tripped/blown	<ul style="list-style-type: none"> <li>Check house circuit breakers/fuses. Replace fuses or reset breaker. Washer should have separate outlet.</li> </ul>
	Automatic self system checks	<ul style="list-style-type: none"> <li>First time the washer is plugged in, automatic checks occur. It may take up to 20 seconds before you can use your washer. This is normal operation.</li> </ul>
<i>Snags, holes, tears, rips or excessive wear</i>	Overloaded	<ul style="list-style-type: none"> <li>Do not exceed maximum recommended load sizes. See recommended maximum load sizes on page 11.</li> </ul>
	Pens, pencils, nails, screws or other objects left in pockets	<ul style="list-style-type: none"> <li>Remove loose items from pockets.</li> </ul>
	Pins, snaps, hooks, sharp buttons, belt buckles, zippers and sharp objects left in pockets	<ul style="list-style-type: none"> <li>Fasten snaps, hooks, buttons and zippers.</li> </ul>
<i>Control time wrong or changes</i>	This is normal	<ul style="list-style-type: none"> <li>During spin the washer may need to rebalance the load sometimes to reduce vibrations. When this happens, the estimated time is increased causing time left to increase or jump.</li> </ul>
<i>Not enough water</i>	This is normal	<ul style="list-style-type: none"> <li>Horizontal washers do not require the tub to fill with water like top-load washers.</li> </ul>
<i>Washer pauses or has to be restarted, or washer door is locked and will not open</i>	Pump clogged	<ul style="list-style-type: none"> <li>See page 13 on how to clean the Pump Filter.</li> </ul>
<i>Door unlocks or press START and machine doesn't operate</i>	This is normal	<ul style="list-style-type: none"> <li>Front-load washers start up differently than top-load washers, and it takes 30 seconds to check the system. The door will lock and unlock.</li> </ul>
	Incorrect operation	<ul style="list-style-type: none"> <li>Simply open and close the door firmly; then press <b>START</b>.</li> </ul>
<i>Water does not enter washer or enters slowly</i>	Automatic self system checks	<ul style="list-style-type: none"> <li>After <b>START</b> is pressed, the washer does several system checks. Water will flow 60 seconds after <b>START</b> is pressed.</li> </ul>
	Water supply is turned off	<ul style="list-style-type: none"> <li>Turn on both hot and cold faucets fully.</li> </ul>
	Water valve screens are stopped up	<ul style="list-style-type: none"> <li>Turn off the water source and remove the water connection hoses from the upper back of the washer. Use a brush or toothpick to clean the screens in the machine. Reconnect the hoses and turn the water back on.</li> </ul>

Problem	Possible Cause	What To Do
Wrinkling	Improper sorting	<ul style="list-style-type: none"> <li>Avoid mixing heavy items (like work clothes) with light items (like blouses).</li> </ul>
	Overloading	<ul style="list-style-type: none"> <li>Load your washer so clothes have enough room to move freely.</li> </ul>
	Incorrect wash cycle	<ul style="list-style-type: none"> <li>Match cycle selection to the type of fabric you are washing (especially for easy care loads).</li> </ul>
	Repeated washing in water that is too hot	<ul style="list-style-type: none"> <li>Wash in warm or cold water.</li> </ul>
Grayed or yellowed clothes	Not enough detergent	<ul style="list-style-type: none"> <li>Use correct amount of detergent.</li> </ul>
	Not using HE (high efficiency) detergent	<ul style="list-style-type: none"> <li>Use HE detergent.</li> </ul>
	Hard water	<ul style="list-style-type: none"> <li>Use hottest water safe for fabric.</li> <li>Use a water conditioner like Calgon brand or install a water softener.</li> </ul>
	Water is not hot enough	<ul style="list-style-type: none"> <li>Make sure water heater is delivering water at 120°–140°F (48°–60°C).</li> </ul>
	Detergent is not dissolving	<ul style="list-style-type: none"> <li>Try a liquid detergent.</li> </ul>
	Dye transfer	<ul style="list-style-type: none"> <li>Sort clothes by color. If fabric label states <i>wash separately</i>, unstable dyes may be indicated.</li> </ul>
Colored spots	Incorrect use of fabric softener	<ul style="list-style-type: none"> <li>Check fabric softener package for instructions and follow directions for using dispenser.</li> </ul>
	Dye transfer	<ul style="list-style-type: none"> <li>Sort whites or lightly colored items from dark colors.</li> <li>Promptly remove wash load from washer.</li> </ul>
Water temperature is incorrect	Water supply is improperly connected	<ul style="list-style-type: none"> <li>Make sure hoses are connected to correct faucets.</li> </ul>
	House water heater is not set properly	<ul style="list-style-type: none"> <li>Make sure house water heater is delivering water at 120°–140°F (48°–60°C).</li> </ul>
Slight variation in metallic color	This is normal	<ul style="list-style-type: none"> <li>Due to the metallic properties of paint used for this unique product, slight variations of color may occur due to viewing angles and lighting conditions.</li> </ul>
Bad odor inside your washer	Washer unused for a long time, not using recommended quality of HE detergent or used too much detergent	<ul style="list-style-type: none"> <li>Run a <b>BasketClean</b> cycle.</li> <li>In the case of strong odor, you may need to run the <b>BasketClean</b> cycle more than once.</li> <li>Use only the amount of detergent recommended on the detergent container.</li> <li>Use only HE (high-efficiency) detergent.</li> <li>Always remove wet items from the washer promptly after machine stops running.</li> <li>Leave the door slightly open for the water to air dry. <b>Close supervision is necessary if this appliance is used by or near children. Do not allow children to play on, with or inside this or any other appliance.</b></li> </ul>
Detergent leak	Incorrect placement of detergent insert	<ul style="list-style-type: none"> <li>Make sure detergent insert is properly located and fully seated. Never put detergent above max line.</li> </ul>
	This is normal	<ul style="list-style-type: none"> <li>It is normal operation to see detergent leak on door gasket about 20 seconds after filling the dispenser.</li> </ul>
Improper dispensing of softener or bleach	Dispenser clogged	<ul style="list-style-type: none"> <li>Monthly clean the dispenser drawer to remove buildup of chemicals.</li> </ul>
	Softener or bleach is filled above the max line	<ul style="list-style-type: none"> <li>Make sure to have the correct amount of softener or bleach.</li> </ul>
	Softener or bleach cap issue	<ul style="list-style-type: none"> <li>Make sure softener and bleach cap for dispenser are seated or they will not work.</li> </ul>

<b>Consumer Support</b>
<b>Troubleshooting Tips</b>
<b>Installation Instructions</b>
<b>Operating Instructions</b>
<b>Safety Instructions</b>

**Notes.**

---



# GE Washer Warranty.



All warranty service provided by our Factory Service Centers or an authorized technician. For service, call 1.800.561.3344.

Please have serial number and model number available when calling for service.

## For The Period Of: We Will Replace:

### One Year

From the date of the original purchase

**Any part** of the washer which fails due to a defect in materials or workmanship. During this **limited one-year warranty**, GE will also provide, **free of charge**, all labor and related service costs to replace the defective part.

## What Is Not Covered (in Canada):

- Service trips to your home to teach you how to use the product.
- Improper installation, delivery or maintenance.
- Failure of the product if it is abused, misused, or used for other than the intended purpose or used commercially.
- Damage after delivery.
- Replacement of house fuses or resetting of circuit breakers.
- Damage to the product caused by accident, fire, floods or acts of God.
- Incidental or consequential damage caused by possible defects with this appliance.
- Product not accessible to provide required service.

**EXCLUSION OF IMPLIED WARRANTIES—Your sole and exclusive remedy is product repair as provided in this Limited Warranty. Any implied warranties, including the implied warranties of merchantability or fitness for a particular purpose, are limited to one year or the shortest period allowed by law.**

This warranty is extended to the original purchaser and any succeeding owner for products purchased in Canada for home use within Canada. In-home warranty service will be provided in areas where it is available and deemed reasonable by Mabe to provide.

WARRANTOR IS NOT RESPONSIBLE FOR CONSEQUENTIAL DAMAGES.

Warrantor: MABE CANADA INC.

## Consumer Support.

---



### GE Appliances Website

[www.GEAppliances.ca](http://www.GEAppliances.ca)

Have a question or need assistance with your appliance? Visit our Website, [www.GEAppliances.ca](http://www.GEAppliances.ca), 24 hours a day, any day of the year!

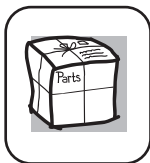


### Schedule Service

**1.800.561.3344**

GE repair service is close to you.

To arrange service for your GE appliance, all you have to do is call.



### Parts and Accessories

Individuals qualified to service their own appliances can have parts or accessories sent directly to their homes (VISA, MasterCard and Discover cards are accepted).

**Instructions contained in this manual cover procedures to be performed by any user. Other servicing generally should be referred to qualified service personnel. Caution must be exercised, since improper servicing may cause unsafe operation.**

You will find the nearest Mabe Service Center number in the yellow pages of your phone book. Or, call us at 1.800.661.1616.



### Contact Us

If you are not satisfied with the service you have received:

**First of all**, communicate with the people who repaired your appliance.

**Then**, if you are still not satisfied, send all information including telephone number to:

Director, Consumer Relations, Mabe Canada Inc.

Suite 310, 1 Factory Lane

Moncton, N.B. E1C 9M3



### Register Your Appliance

[www.GEAppliances.ca](http://www.GEAppliances.ca)

**Register your new appliance on-line—at your convenience!** Timely product registration will allow for enhanced communication and prompt service under the terms of your warranty, should the need arise.

You may also mail in the pre-printed registration card included in the packing material.



# Laveuses

**Mesures de sécurité** ..... 2, 3

**Fonctionnement**

Caractéristiques ..... 8-10  
Chargement et utilisation  
de la laveuse ..... 10, 11  
Nettoyage de la laveuse ..... 12-14  
Panneaux de contrôle ..... 4, 5  
Réglage des contrôles ..... 6, 7

**Installation** ..... 15-20

Dimensions ..... 16  
Déballage de votre laveuse ..... 17  
Emplacement de votre laveuse ..... 16  
Exigences d'alimentation d'eau ..... 18  
Exigences de vidange ..... 18  
Exigences électriques ..... 18  
Installation de la laveuse ..... 19, 20  
Pièces de rechange ..... 20  
Préparation à l'installation de  
votre laveuse ..... 15

**Conseils de dépannage** ..... 21-24

**Soutien au consommateur**

Garantie ..... 25  
Soutien au consommateur ..... 26



En qualité de partenaire ENERGY STAR®, GE a trouvé que ce produit rencontre les directives d'ENERGY STAR® en matière d'efficacité énergétique.

**Inscrivez ici les numéros de modèle et de série :**

**Modèle #** \_\_\_\_\_

**Série #** \_\_\_\_\_

Vous les trouverez sur une étiquette placée du côté de la laveuse.

**Owner's Manual & Installation Instructions**

- GBVH5200
- GBVH5300
- GCVH6400
- GCVH6800
- GFAN1000
- GFAN1100

# RENSEIGNEMENTS IMPORTANTS EN MATIÈRE DE SÉCURITÉ. LISEZ TOUTES LES INSTRUCTIONS AVANT D'UTILISER VOTRE LAVEUSE.

## ⚠ AVERTISSEMENT!

Pour votre sécurité, vous devez suivre les instructions contenues dans ce manuel, pour réduire le danger d'incendie ou d'explosion, de secousse électrique et pour empêcher les dommages matériels, les blessures corporelles ou les pertes de vie humaine.

Les instructions contenues dans ce manuel et dans tous les autres documents qui accompagnent la laveuse ne couvrent pas toutes les situations ou conditions possibles qui peuvent se produire. Vous **devez** faire preuve de prudence et utiliser des méthodes sécuritaires pour installer, faire fonctionner et entretenir tout appareil électroménager.



## SÉCURITÉ DU CHAUFFE-EAU

Dans certaines conditions, un chauffe-eau peut produire de l'hydrogène gazeux si on ne l'a pas utilisé pendant plus de deux semaines. Dans ces conditions, l'hydrogène gazeux peut exploser.

Si vous n'avez pas utilisé le chauffe-eau pendant deux semaines ou plus, empêchez tout dommage ou blessure possible en ouvrant tous les robinets d'eau chaude et en les laissant couler pendant plusieurs minutes. Faites cela avant d'utiliser tout appareil électroménager branché au système d'eau chaude. Cette procédure simple permet à toute accumulation d'hydrogène gazeux de s'échapper. Comme ce gaz est inflammable, ne fumez jamais ou n'utilisez jamais de flamme vive ou d'appareil électroménager pendant cette procédure.



## BONNE INSTALLATION

Vous devez bien installer et placer cette laveuse, conformément aux instructions d'installation, avant de l'utiliser.

- Installez ou placez votre laveuse dans un endroit où elle n'est pas exposée à des températures inférieures à zéro degré centigrade ou à du mauvais temps. Cela risque de causer des dommages permanents et d'annuler la garantie.
- Mettez bien à la terre la laveuse, conformément à tous les codes et les ordonnances en vigueur. Suivez tous les détails des instructions d'installation.



## VOTRE AIRE DE LESSIVE

- Ne conservez aucun matériau combustible, comme de la charpie, du papier, des chiffons ou des produits chimiques, en dessous ou à proximité de votre laveuse.
- Vous devez surveiller constamment votre laveuse si vous l'utilisez à proximité d'enfants ou si des enfants l'utilisent. Ne permettez jamais à des enfants de jouer avec, ou dans cet appareil, ou avec tout autre appareil électroménager.



## QUAND VOUS UTILISEZ VOTRE LAVEUSE

N'utilisez votre laveuse qu'aux fins prévues décrites dans ce manuel du propriétaire.

- N'essayez jamais d'ouvrir votre laveuse quand elle fonctionne. Attendez que la machine soit complètement arrêtée pour ouvrir la porte.
- Ne mélangez jamais d'eau de javel au chlore avec de l'ammoniaque ou des acides comme du vinaigre et/ou de l'antirouille. Le mélange de différents produits chimiques peut produire des gaz toxiques qui peuvent causer la mort.
- Ne lavez jamais ou ne faites jamais sécher des articles qui ont été nettoyés, lavés, trempés ou mouillés dans des substances combustibles ou explosives (comme la cire, l'huile, la peinture, l'essence, les substances dégraissantes, les solvants de nettoyage à sec, le pétrole, etc.) qui peuvent brûler ou exploser. N'ajoutez jamais ces substances à l'eau de lavage. N'utilisez jamais ou ne placez jamais ces substances à proximité de votre laveuse ou de votre sècheuse pendant leur fonctionnement.
- La procédure de lessivage peut réduire la résistance aux flammes des tissus. Pour éviter cela, suivez soigneusement les instructions de lavage et de soins du fabricant de vêtements.
- Pour réduire le risque de secousse électrique, débranchez votre laveuse de sa prise murale ou débranchez la laveuse au niveau du panneau de distribution de l'immeuble en enlevant le fusible ou en faisant basculer le disjoncteur, avant d'entreprendre tout entretien ou nettoyage.  
**NOTE :** Vous **ne** débranchez **pas** votre appareil de son alimentation électrique en appuyant sur le bouton POWER (alimentation).
- N'essayez jamais de faire fonctionner votre laveuse si elle est endommagée, si elle ne fonctionne pas bien, si elle est partiellement démontée ou si elle a des pièces manquantes ou cassées, en particulier sa fiche ou son cordon d'alimentation endommagé.
- Ne faites jamais claquer la porte pour la fermer. N'essayez jamais de forcer sur la porte pour l'ouvrir quand elle est verrouillée (le voyant LOCKED [verrouillée] est allumé). Vous risquez d'endommager votre laveuse.
- Votre laveuse est équipée d'un mécanisme de protection contre la surintensité. Son moteur s'arrête s'il chauffe trop. Votre laveuse se remet automatiquement en marche après une période de refroidissement qui peut atteindre 2 heures, si vous n'avez pas arrêté à la main votre laveuse pendant ce temps.



## QUAND VOUS NE L'UTILISEZ PAS

- Fermez les robinets d'eau pour relâcher la pression dans les boyaux et les valves et réduire les fuites au minimum en cas de bris ou de rupture. Vérifiez l'état des boyaux de remplissage; GE recommande de changer les boyaux tous les 5 ans.
- Avant de jeter une laveuse ou de la mettre hors-service, enlevez sa porte pour empêcher les enfants de se cacher dedans.
- N'essayez jamais de réparer ou de remplacer une pièce de votre laveuse, à moins que ce ne soit spécifiquement recommandé dans ce Manuel du propriétaire ou dans des instructions de réparations par l'utilisateur publiées, que vous comprenez et pour lesquelles vous possédez les compétences nécessaires.
- Ne faussez jamais les contrôles.

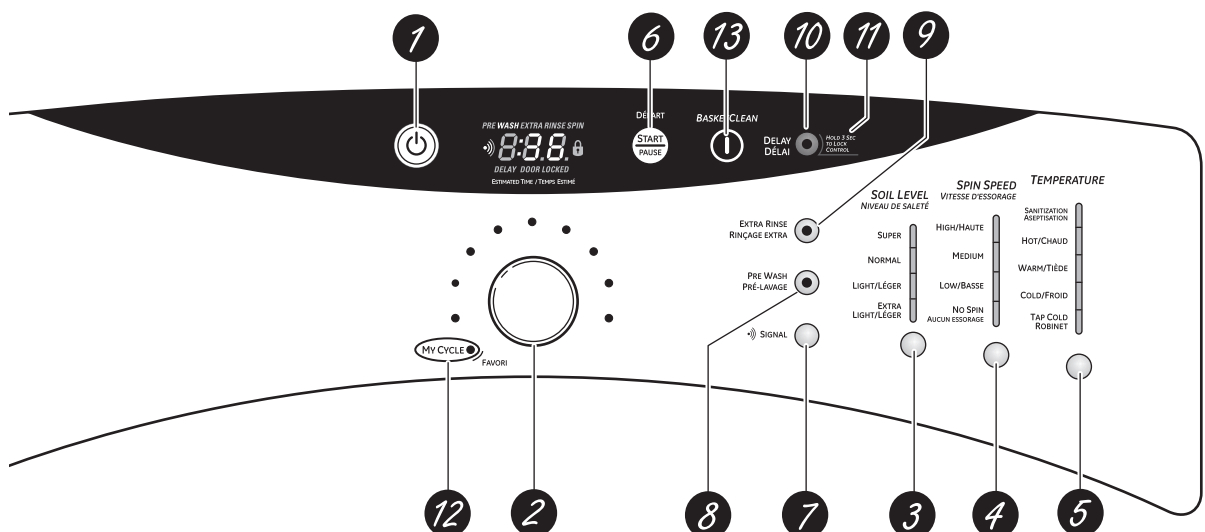
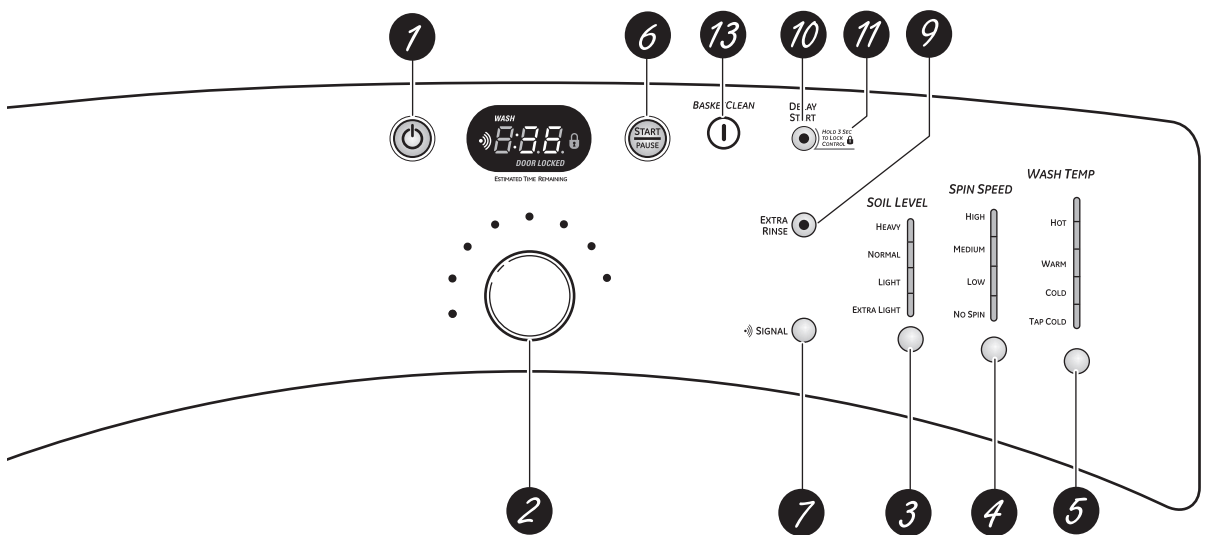
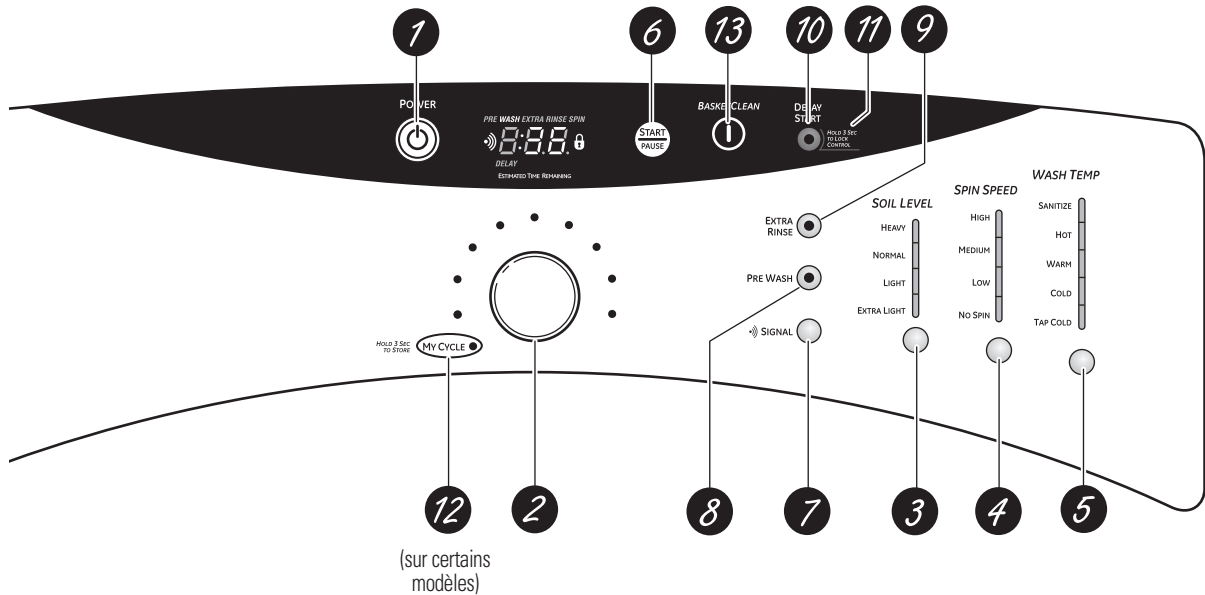


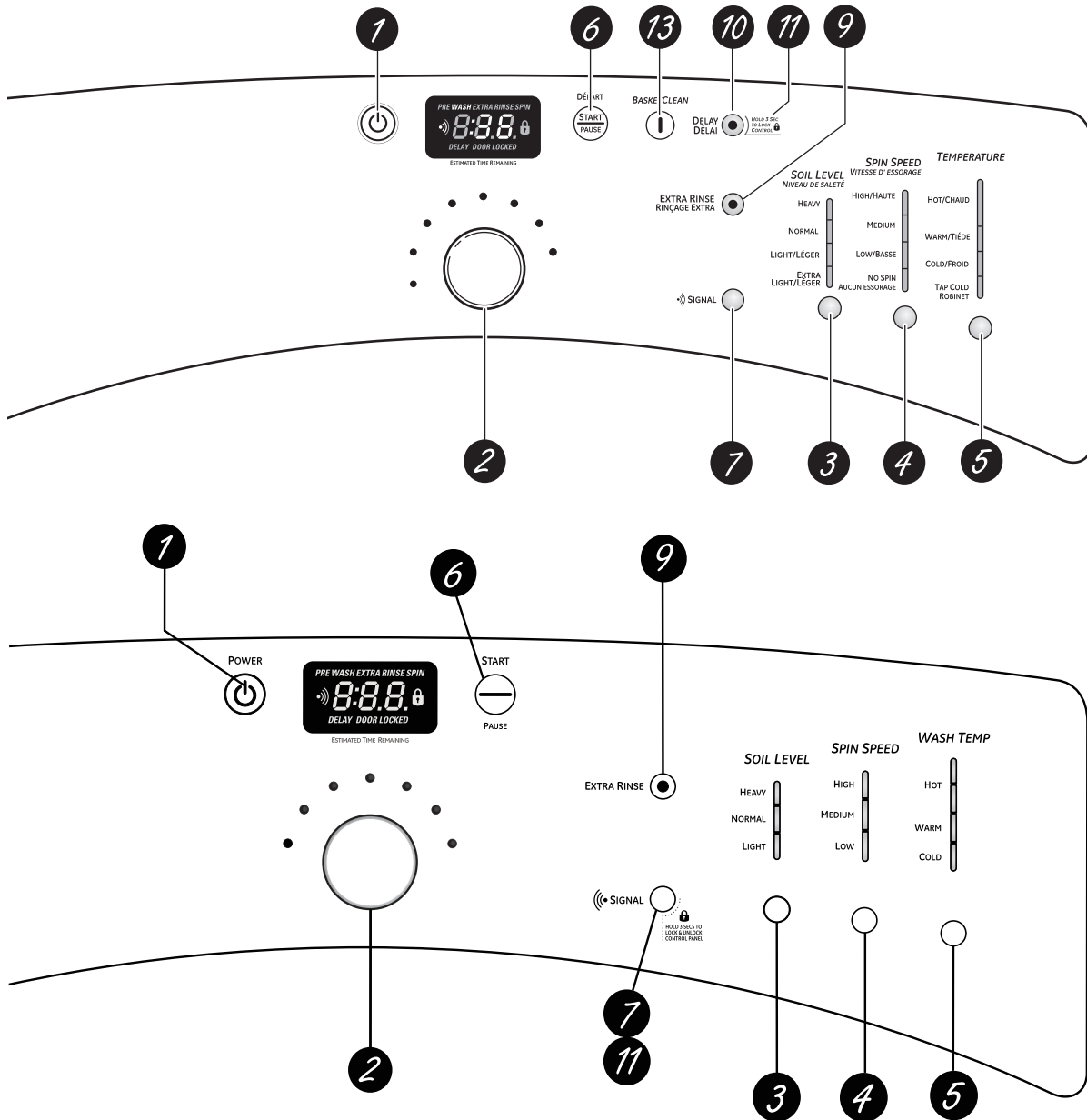
**LISEZ ET SUIVEZ SOIGNEUSEMENT CES RENSEIGNEMENTS EN MATIÈRE DE SÉCURITÉ.**

**CONSERVEZ CES INSTRUCTIONS**

## Le panneau de contrôle de votre laveuse.

Trouvez l'illustration qui correspond de près votre modèle et pour les détails consultez les descriptions de cycle à partir de la page 6.





## Le panneau de contrôle de votre laveuse.

1

### Power (alimentation)

Appuyez pour activer l'affichage. Si l'affichage est actif, appuyez pour mettre la laveuse en mode d'attente.

**NOTE :** Vous ne débranchez pas votre appareil de l'alimentation électrique en appuyant sur **POWER** (alimentation).

2

### Cycles de lavage

Les cycles sont optimisés pour des catégories particulières de charges de lavage. Le tableau ci-dessous vous aidera à trouver un réglage de lavage qui correspond à votre charge de lavage. Les pales élévatoires GentleClean™ font délicatement culbuter les vêtements dans la solution d'eau et de détergent pour les laver.


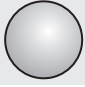












<b>BLANCS</b>	Pour les cotonnades blanches, le linge de maison, les vêtements de travail et de jeux peu sales.
<b>COULEURS/NORMAL</b>	Pour les cotonnades de couleur, le linge de maison, les vêtements de travail et de jeu très à légèrement sales.
<b>LAVAGE INTENSE</b>	Pour les cotonnades de couleur, le linge de maison, les vêtements de travail et de jeu très sales.
<b>PERMA PRESS</b> (certains modèles)	Pour les articles sans repassage et infroissables.
<b>VÊTEMENTS SPORT</b> (certains modèles)	Pour les vêtements de sports, d'exercices et certains vêtements sports. Leurs tissus comprennent des fibres et des finitions modernes comme le spandex, les microfibres et les fibres élastiques.
<b>DÉLICATE</b> (certains modèles)	Pour les tissus délicats peu ou normalement sales. La laveuse trempe et remue doucement pendant le lavage et rinçage.
<b>LAVAGE À MAIN</b>	Pour les articles étiquetés lavage à la main peu sales. La laveuse remue gentiment pour imiter le lavage à la main.
<b>LAINIERS LAVABLES</b> (certains modèles)	Pour laver les produits lainiers lavables à la machine à condition que ces produits ils soient lavés conformément aux instructions de l'étiquette du vêtement. En choisissant ce cycle, vous devez utiliser un détergent approprié pour laver la laine.
<b>FAVORI</b> (certains modèles)	Appuyez sur ce bouton pour utiliser, créer ou modifier des cycles de lavage sur mesure.
<b>LAVAGE RAPIDE</b>	Pour articles légèrement sales qu'il faut laver en vitesse. La durée du cycle est d'environ 30 minutes, selon les options choisies.
<b>DRAINAGE ET ESSORAGE</b>	Draine et essore en même temps.
<b>RINÇAGE &amp; ESSORAGE</b>	Pour rincer rapidement les articles n'importe quand.



- 3 Niveau de saleté**  
En changeant le niveau de saleté, vous augmentez ou diminuez la durée de lavage pour enlever divers montants de saleté.  
Pour changer le niveau de saleté, appuyez sur le bouton **NIVEAU DE SALETÉ** jusqu'au réglage désiré.
- 4 Vitesse d'essorage**  
En changeant la vitesse d'essorage, vous changez la vitesse de l'essorage final des cycles. Suivez toujours les instructions de l'étiquette du fabricant pour changer la vitesse d'essorage.  
Pour changer la vitesse d'essorage, appuyez sur le bouton **VITESSE D'ESSORAGE** jusqu'au réglage désiré. Les vitesses d'essorage les plus rapides ne sont pas offertes pour certains cycles, comme le cycle délicats. Les vitesses d'essorage plus rapides enlèvent plus d'eau des vêtements, et aident à réduire le temps de séchage, mais augmentent également la possibilité de froisser certains tissus.
- 5 Température de lavage**  
Ajustez pour choisir la bonne température de l'eau pour le cycle de lavage. L'eau de prélavage et de rinçage est toujours froide pour réduire l'utilisation d'énergie et diminuer la fixation des taches et les froissements. Suivez l'étiquette du fabricant pour choisir la température de lavage.  
Pour changer la température de lavage, appuyez sur le bouton **TEMPÉRATURE DE LAVAGE** jusqu'au réglage désiré. La température de lavage aseptisé n'est pas offerte pour certains cycles, comme le cycle délicats.  
En choisissant la température de lavage Sanitize (Hygiénique, disponible sur certains modèles seulement), la machine à laver augmente la température de l'eau pour désinfecter et tuer plus de 99 % de nombreuses bactéries courantes que l'on retrouve dans le lavage résidentiel. La température de lavage hygiénique n'est disponible que pour les cycles de Stain Wash (Lavage de tâches) et Whites Wash (Lavage de blanc). Pour de meilleurs résultats, choisissez le réglage de lavage très sale en utilisant le réglage de température de lavage Sanitize (Hygiénique).  
**NOTE :** Pendant les dix premières secondes du remplissage, l'eau est toujours froide. Cela aide à conditionner les tissus et empêche la fixation des taches sur les vêtements.
- 6 DÉPART (mise en marche/arrêt)**  
Appuyez pour mettre en marche un cycle de lavage. Si la laveuse fonctionne, vous l'arrêtez en appuyant une fois et déverrouillez la porte. Appuyez à nouveau pour remettre en marche le cycle de lavage.  
**NOTE :** En arrêtant la laveuse et en ne remettant pas en marche le cycle dans les deux heures qui suivent, vous annulez le cycle de lavage actuel.  
**NOTE :** La laveuse procède à des vérifications automatiques du système une fois que vous avez appuyé sur le bouton **START** de mise en marche. L'eau se mettra à couler dans un délai de 45 secondes ou moins. Vous entendrez peut-être la porte se verrouiller et se déverrouiller avant que l'eau ne coule; ceci est normal.

# Les caractéristiques de votre laveuse.

NOTE : Certaines caractéristiques peuvent ne pas être offertes sur tous les modèles de laveuses.

7	 <b>SIGNAL</b> 	<p><b>Signal de Cycle</b></p> <p>Utilisez le bouton <b>SIGNAL</b> pour modifier le volume du signal de fin de cycle.</p> <p>Appuyez sur le bouton jusqu'au volume désiré.</p>
8	 <b>PRÉ-LAVAGE</b> 	<p><b>Pré-lavage</b> (sur certains modèles)</p> <p>Pré-lavage est un lavage supplémentaire avant le lavage principal. Utilisez-le pour les vêtements très sales ou pour les vêtements dont l'étiquette recommande un pré-lavage avant le lavage.</p> <p>Assurez-vous d'ajouter du détergent à rendement élevé ou le bon additif de lavage au distributeur de pré-lavage.</p> <p><b>NOTE :</b> En choisissant le pré-lavage, il est recommandé d'utiliser un détergent en poudre dans le compartiment de lavage principal (détergent).</p>
9	 <b>RINÇAGE EXTRA</b> 	<p><b>Rinçage Extra</b></p> <p>Utilisez un rinçage supplémentaire quand il faut davantage rincer pour enlever la saleté et le détergent supplémentaires mis pour du linge vraiment sale.</p>
10	 <b>DELAY DÉLAI</b> 	<p><b>Délai (mise en marche retardée)</b> (sur certains modèles)</p> <p>Vous pouvez différer le démarrage du cycle de lavage pour une période de 10 à 18 heures, selon le modèle. Appuyez sur le bouton <b>DÉLAI (mise en marche retardée)</b> pour choisir le nombre d'heures que vous voulez attendre pour commencer le cycle de lavage, puis appuyez sur le bouton <b>DÉPART (mise en marche)</b>. La machine compte automatiquement le temps d'attente, puis se met en marche automatiquement à l'heure désirée.</p> <p><b>NOTE :</b> Si vous oubliez de fermer complètement la porte, un signal sonore de rappel se fait entendre pour vous rappeler de le faire.</p> <p><b>NOTE :</b> Si vous ouvrez la porte pendant que la machine compte à rebours le temps qui reste avant la mise en marche, la machine fait une <b>PAUSE (pause)</b>. Vous devez refermer la porte et appuyer à nouveau sur le bouton <b>DÉPART (mise en marche)</b> pour recommencer le compte à rebours.</p>
11	 <b>DELAY DÉLAI</b>  <b>HOLD 3 SEC TO LOCK CONTROL</b>	<p><b>Verrouillage</b></p> <p>Vous pouvez verrouiller les contrôles pour empêcher tout choix de cycle, ou vous pouvez verrouiller les contrôles après avoir commencé un cycle.</p> <p>Les enfants ne peuvent pas mettre accidentellement en marche la laveuse en appuyant sur des touches quand vous choisissez cette option.</p> <p>Pour verrouiller les contrôles de la laveuse, appuyez sur le bouton de <b>DÉLAI (mise en marche retardée)</b> et tenez-la appuyée pendant 3 secondes (sur les modèles n'ayant pas le bouton <b>DÉLAI</b>, appuyez sur le bouton <b>SIGNAL</b>).</p> <p>Pour déverrouiller les contrôles de la laveuse, appuyez sur le bouton de <b>DÉLAI (mise en marche retardée)</b> et tenez-la appuyée pendant 3 secondes (sur les modèles n'ayant pas le bouton <b>DÉLAI</b>, appuyez sur le bouton <b>SIGNAL</b>).</p> <p>L'icône de contrôle de verrouillage de l'affichage s'allume quand il est branché.</p> <p><b>NOTE :</b> Vous pouvez encore utiliser le bouton <b>POWER (alimentation)</b> quand la machine est verrouillée.</p>
12	 <b>MY CYCLE</b>  <b>FAVORI</b>	<p><b>MY CYCLE (FAVORI)</b> (sur certains modèles)</p> <p>Pour sauvegarder un cycle favori, choisissez le réglage désiré pour le cycle de lavage, le degré de souillure, la vitesse de rotation et la température de l'eau et appuyez sur le bouton <b>MY CYCLE (FAVORI)</b> pendant 3 secondes. Un signal sonore se fait entendre pour indiquer que le cycle est sauvegardé.</p> <p>Pour utiliser votre cycle personnalisé, appuyez sur le bouton <b>MY CYCLE (FAVORI)</b> avant de laver une charge.</p> <p>Pour changer le cycle sauvegardé, choisissez le réglage désiré et appuyez sur le bouton <b>MY CYCLE (FAVORI)</b> pendant 3 secondes.</p> <p><b>NOTE :</b> Quand vous utilisez <b>MY CYCLE (FAVORI)</b>, vous ne pouvez pas modifier les options de lavage une fois que le cycle a commencé.</p> <p><b>NOTE :</b> Si vous changez les options de lavage avec <b>MY CYCLE (FAVORI)</b> avant le début du cycle, le voyant <b>MY CYCLE (FAVORI)</b> s'éteindra et vous reviendrez au cycle de base.</p>
13	 <b>BASKETCLEAN</b> 	<p><b>BASKET CLEAN (nettoyage du panier)</b></p> <p><b>BasketClean</b> est un cycle qui rafraîchit l'intérieur de votre laveuse. Ce cycle utilise un javellisant ou autre produit de nettoyage pour la laveuse et plus d'eau pour rafraîchir votre laveuse. Utilisez <b>BasketClean</b> une fois par mois pour réduire les odeurs et l'accumulation de résidus à l'intérieur de la laveuse.</p> <p>Pour plus d'information sur la fonction <b>BasketClean</b>, reportez-vous à la section <b>Entretien et nettoyage</b> de la page 12.</p>

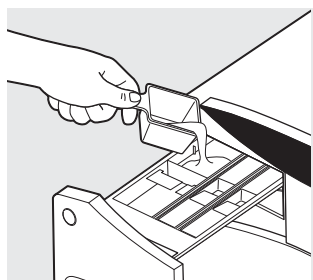


### Le tiroir distributeur

Ouvrez lentement le tiroir distributeur en le tirant jusqu'à son arrêt final.

Après avoir ajouté vos produits de lavage, fermez lentement le tiroir distributeur. Si vous fermez le tiroir trop vite, vous risquez de distribuer l'eau de Javel, l'adoucissant ou le détergent trop tôt.

Vous pouvez voir de l'eau dans les compartiments d'eau de Javel et d'adoucissant à la fin du cycle. C'est occasionné par l'action de vidange/siphonnage et cela fait partie du fonctionnement normal de la laveuse.



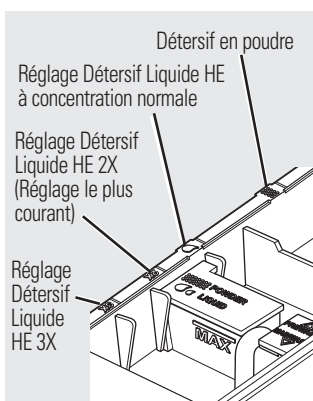
### Le compartiment de prélavage

(sur certains modèles)

- N'utilisez le compartiment de prélavage que si vous choisissez le cycle de prélavage pour des vêtements très sales. Ajoutez le détergent mesuré ou l'additif de prélavage au compartiment de prélavage situé à l'arrière gauche du tiroir distributeur.
- Le détergent ou l'additif de prélavage est évacué du distributeur pendant le cycle de prélavage (si vous l'avez choisi).

**NOTE :** Le détergent liquide passe dans le tambour de la laveuse à mesure que vous l'ajoutez.

- Vous devez ajuster la quantité de détergent à la température de l'eau, à la dureté de l'eau, à la taille de la charge et à son niveau de saleté. Évitez d'utiliser trop de détergent dans votre laveuse car cela peut provoquer des traces de détergent et de mousse sur les vêtements.




L'aspect peut varier.

### Le compartiment de détergent

- Il est nécessaire d'utiliser un détergent à haut rendement dans cette laveuse. Utilisez la quantité recommandée par le fabricant de détergent.

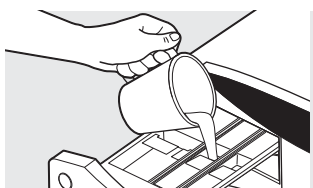
L'encastrement permettant la sélection du détergent doit être placé dans le compartiment de détergent dans la position adaptée au type de détergent utilisé.

- **Détergent en poudre** – Placez l'encastrement dans sa position arrière. Les icônes Poudre  doivent être centrées lorsque l'encastrement est dans la position poudre.
- **Détergent liquide** – Vous aurez besoin de repositionner l'encastrement suivant le type de détergent liquide que vous utilisez. Les icônes sur le bord du compartiment de détergent doivent être centrées lorsque l'encastrement est correctement positionné.

**NOTE :** Tous les modèles ne sont pas équipés des réglages pour les détergents 2X et 3X. Certains modèles sont uniquement équipés de réglages pour les détergents HE à concentration normale. Vous devez réduire la quantité de détergent 2X ou 3X en suivant les consignes données sur la bouteille.

Déplacez l'encastrement en le tirant vers le haut puis replacez-le en le faisant glisser entre les rainures, soit à l'avant ou à l'arrière, pour un détergent liquide ou en poudre.


- Ajoutez la dose de détergent à l'avant gauche du compartiment de détergent dans le tiroir distributeur.
- Le détergent est évacué du distributeur au début du cycle de lavage. Vous pouvez utiliser soit du détergent liquide ou du détergent en poudre.
- La quantité de détergent utilisé devra peut-être être adaptée à la température de l'eau, à la dureté de l'eau, au volume et au niveau de saleté de la brassée. Évitez d'utiliser trop de détergent dans votre laveuse, ce qui pourrait laisser des traces de détergent sur les vêtements ou provoquer un moussage trop important.
- Un dépôt peut s'accumuler dans votre laveuse, si vous utilisez plus de détergent que nécessaire.



Sur certains modèles, le compartiment à javellisant liquide est situé au centre.

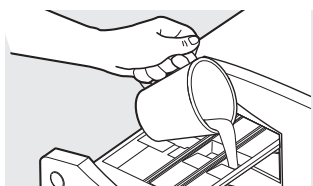
### Le compartiment d'eau de Javel liquide

**IMPORTANT :** La position du compartiment à javellisant varie selon le modèle. Veuillez à identifier le bon compartiment à javellisant avant l'utilisation.

Si vous le désirez, mesurez le montant recommandé d'eau de Javel, ne dépassant pas 1/3 de tasse (80 ml) et versez-le dans le compartiment central étiqueté LIQUID BLEACH (eau de Javel) et portant le symbole .

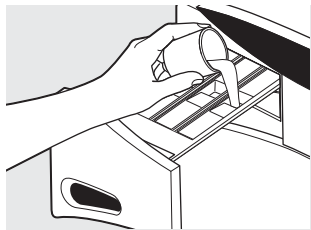
Ne dépassez jamais la ligne de remplissage maximum. Si vous mettez trop d'eau de Javel, cela risque de provoquer une distribution prématurée de l'eau de Javel, qui peut occasionner des dommages à vos vêtements.

**NOTE :** N'utilisez jamais de poudre à blanchir dans le distributeur.

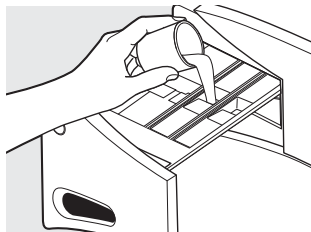


Sur certains modèles, le compartiment à javellisant liquide est situé à droite.

## Les caractéristiques de votre laveuse.



Sur certains modèles, le compartiment pour assouplisseur est situé à droite.



Sur certains modèles, le compartiment pour assouplisseur est situé au centre.

### Le compartiment d'adoucissant

**IMPORTANT :** La position du compartiment pour adoucisseur varie selon le modèle. Veuillez à identifier le bon compartiment pour adoucisseur avant l'utilisation.

Si vous le désirez, versez le montant recommandé d'adoucissant liquide dans le compartiment étiqueté FABRIC SOFTENER (adoucissant).

N'utilisez que de l'adoucissant liquide dans le distributeur.

Diluez dans de l'eau jusqu'à la ligne maximum de remplissage.

Ne dépassez jamais la ligne maximum de remplissage. Si vous mettez trop d'adoucissant, cela risque de provoquer une distribution prématurée d'adoucissant, qui peut tacher vos vêtements.

**NOTE :** Ne mettez jamais d'adoucissant directement dans la charge à laver.

## Chargement et utilisation de la laveuse.

Suivez toujours l'étiquette du fabricant de tissus pour laver.



### Tri des charges de lavage

Triez votre lessive en charges de vêtements que vous pouvez laver ensemble.

Couleurs	Saleté	Tissus	Charpie
Blancs	Beaucoup	Déliçats	Producteurs de charpie
Clairs	Normal	Soins faciles	Collecteurs de charpie
Foncés	Peu	Cotonnades solides	

- Regroupez les grands et des petits articles dans une même charge. Chargez les grands articles d'abord. Les grands articles ne doivent pas représenter plus de la moitié de la totalité de la charge de lavage.
- Nous vous recommandons de ne pas laver un article seul. Cela peut occasionner un déséquilibre de charge. Ajoutez un ou deux articles semblables.
- Vous ne devez pas mélanger les oreillers et les édredons aux autres articles. Cela peut occasionner une charge mal équilibrée.

### Préparation des vêtements

Suivez ces conseils pour maximiser l'entretien des vêtements.

- Pour éviter de tirer des fils lors du lavage :
  - Montez les fermetures à glissière et attachez les boutons et les crochets.
  - Recousez les coutures et les ourlets défaits et réparez les accrocs.
  - Videz les poches de leur contenu.
  - Retirez les accessoires d'ornement et les garnitures.
- Pour prévenir l'emmêlement, nouez les cordons, les cravates et les ceintures.
- Brossez la saleté et la charpie en surface; traitez les taches.
- Lavez rapidement les vêtements mouillés ou tachés pour maximiser les résultats.
- Mélangez les vêtements selon les charges maximales recommandées à la page 11.
- Utilisez des sacs-filets en nylon prévus à cet effet pour laver les petits articles.
- Lavez plusieurs vêtements à la fois pour les meilleurs résultats.



## Chargement de la laveuse

Vous pouvez charger complètement le tambour de lavage en ajoutant les articles lachement. **Ne lavez jamais de tissus qui contiennent des matériaux inflammables (cires, liquides de nettoyage, etc.).**

Pour ajouter des articles après avoir mis en marche la laveuse, appuyez sur **START/PAUSE (mise en marche/pause)** et attendez que la porte soit déverrouillée. La laveuse peut prendre jusqu'à 30 secondes pour déverrouiller sa porte après que vous ayez appuyé sur **START/PAUSE (mise en marche/pause)**, selon les conditions. N'essayez pas de forcer la porte pour l'ouvrir quand elle est verrouillée. Quand la porte est déverrouillée, ouvrez gentiment. Ajoutez les articles, refermez la porte et appuyez sur **START/PAUSE (mise en marche/pause)** pour remettre en marche.

### Charges maximales\*

VÊTEMENTS DE TRAVAIL	LINGE DE MAISON	BRASSÉES MIXTES	TISSUS DÉLICATS**	LAVAGES RAPIDES (2 à 4 vêtements)
4 Jeans 5 chemises de travail 5 pantalons de travail	2 draps de bain 10 serviettes de bain/ 12 débarbouillettes 7 essuie-mains/ 2 tapis de baignoire en tissu éponge <b>OU</b> 2 draps plats format grand lit 2 draps-housses format grand lit 4 taies d'oreiller	4 taies d'oreiller 2 essuie-mains 2 draps plats/ 2 draps-housses 2 serviettes de bain/ 4 débarbouillettes <b>OU</b> 6 chemises (homme ou femme) 4 pantalons (kakis ou tissus croisés) 5 tee-shirts 7 boxeurs 4 caleçons <b>OU</b> 6 tee-shirts 4 pantalons molletonnés 4 pulls molletonnés 2 kangourous 7 paires de bas	7 soutiens-gorge 7 culottes 3 slips 2 camisoles 4 chemises de nuit	2 chemises sport 1 pantalons sport <b>OU</b> 3 uniformes de soccer

\*Le dépassement des charges maximales recommandées peut affecter la qualité du lavage et l'entretien des vêtements.

\*\*On recommande de placer les petits articles dans un sac en filet de nylon.

## Nettoyage de la laveuse.



### Soins et nettoyage

**Extérieur** : Essuyez immédiatement tout débordement. Essuyez avec un linge humide. Ne frappez jamais la surface avec des objets aiguisés.

**Déménagement et rangement** : Demandez au technicien de service d'enlever l'eau de la pompe et des tuyaux de vidange. Ne rangez jamais la laveuse dans un endroit où elle est exposée au mauvais temps. Quand vous déménagez la laveuse, vous devez immobiliser le bassin de lavage en utilisant les boulons d'expédition enlevés pendant l'installation. Consultez les Instructions d'installation dans ce livret. Si vous n'avez pas ces pièces, vous pouvez les commander en visitant notre site web à l'adresse [www.electromenagersge.ca](http://www.electromenagersge.ca) ou en appelant le numéro de téléphone 800.561.3344.

**Longues vacances** : Assurez-vous de fermer tous les robinets d'alimentation de l'eau. Vidangez toute l'eau des tuyaux si la température risque de descendre en dessous de celle de gel.

### Nettoyage de l'intérieur de la laveuse

Pour nettoyer l'intérieur de la laveuse, sélectionnez la fonction **BasketClean** sur le panneau de commande. Ce cycle utilisera plus d'eau, en plus du javellisant, pour rafraîchir votre laveuse.

**REMARQUE** : Lisez les instructions ci-dessous en entier avant de démarrer le cycle **BasketClean**.

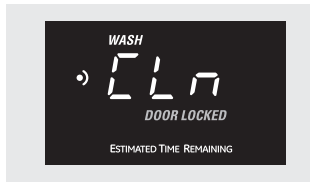
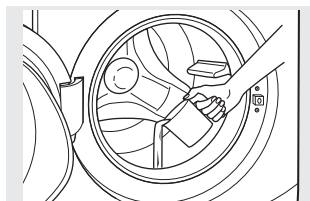
1. Retirez tout vêtement ou objet de la laveuse et assurez-vous que le panier de laveuse est vide.
2. Ouvrez la porte de la laveuse et versez une tasse ou 250 ml de javellisant liquide ou autre produit de nettoyage pour la laveuse dans le panier.
3. Fermez la porte et sélectionnez le cycle **BasketClean**. Poussez le bouton **START**.
4. Lorsque le cycle **BasketClean** est en marche, vous apercevez **CLn** sur l'afficheur. Le cycle se terminera au bout d'environ 90 minutes. N'interrompez pas le cycle.
5. Une fois le cycle terminé, laissez la porte légèrement ouverte pour une meilleure ventilation.

Si le cycle doit être interrompu pour une raison quelconque, la porte ne s'ouvrira pas immédiatement. Forcer l'ouverture de la porte à cette étape peut causer un dégât d'eau. La porte s'ouvrira une fois l'eau évacuée à un niveau qui n'inondera pas le plancher.

On peut interrompre le cycle **BasketClean** par une pression du bouton **START/PAUSE** entre les cycles. Une panne d'électricité peut aussi interrompre le cycle. Une fois le courant rétabli, le cycle **BasketClean** poursuivra à partir d'où il était avant la panne. En cas d'interruption, veillez à compléter le cycle **BasketClean** avant d'utiliser la laveuse. Si le bouton **POWER** est enfoncé pendant le cycle **BasketClean**, celui-ci sera perdu.

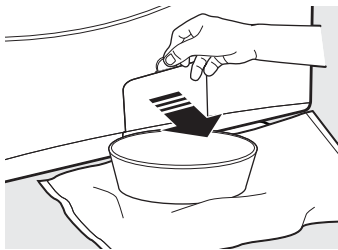
#### IMPORTANT :

- Effectuez un cycle **BasketClean** avec 1 tasse (250 ml) de javellisant une fois par mois.
- Une fois le cycle **BasketClean** terminé, l'intérieur de votre laveuse peut sentir le javellisant.
- Il est recommandé de laver une brassée de couleurs pâles après le cycle **BasketClean**.

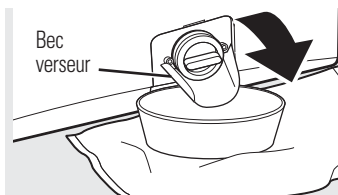


## Nettoyage du filtre de pompe

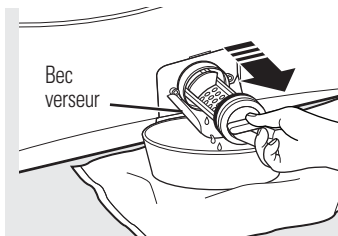
Étant donné la nature d'une laveuse à chargement frontal, il est parfois possible que de petits articles soient aspirés par la pompe. La laveuse est dotée d'un filtre pour capter les articles perdus avant qu'ils ne soient évacués par le drain. Pour récupérer les articles perdus, nettoyez le filtre de pompe.



1. Insérez une pièce de monnaie ou un tournevis plat dans la fente du panneau d'accès pour ouvrir celui-ci.
2. Placez une casserole ou un plat peu profonds sous la trappe d'accès de la pompe ainsi qu'une serviette sur le plancher devant la laveuse pour protéger celui-ci. Il est normal de recueillir environ une tasse d'eau lors du retrait du filtre.



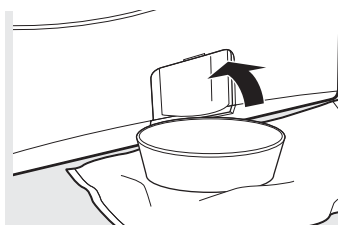
3. Tirez le bec verseur vers le bas.



4. Tournez le filtre de pompe dans le sens antihoraire et retirez-le. Ouvrez lentement pour permettre le drainage de l'eau.

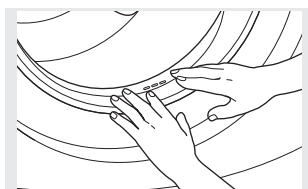
5. Enlevez les débris sur le filtre.

6. Remplacez le filtre et tournez-le dans le sens horaire. Serrez solidement.



7. Rabattez le bec verseur vers le haut.

8. Fermez le panneau d'accès.



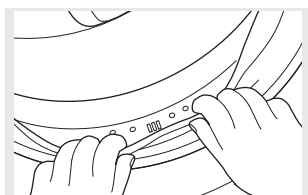
## Nettoyage du joint d'étanchéité de la porte

Ouvrez la porte de la laveuse. Avec les deux mains, poussez le joint d'étanchéité vers le bas. Enlevez tout objet étranger qui pourrait se trouver dans le joint. Assurez-vous que rien ne bloque les orifices derrière le joint.

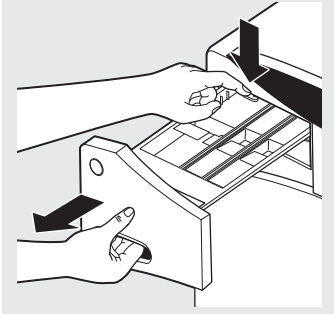
Tout en maintenant le joint en position basse, inspectez-en l'intérieur en tirant vers le bas avec les doigts. Enlevez tout

objet étranger qui pourrait se trouver dans le joint. Assurez-vous que rien ne bloque les orifices derrière le joint.

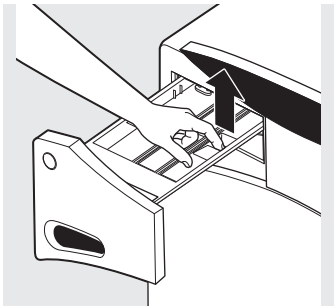
Une fois le nettoyage terminé, retirez vos mains et le joint retourneront à ses positions normales.



## Nettoyage de la laveuse.



Le taquet du verrou n'est visible que quand le tiroir est complètement tiré



**Emplacement du tiroir distributeur :** Le détergent et l'adoucisseur peuvent s'amasser dans le tiroir distributeur. Il faut enlever ces résidus une ou deux fois par mois.

- Enlevez le tiroir en le tirant d'abord jusqu'à ce qu'il s'arrête. Atteignez ensuite le coin arrière gauche de la cavité du tiroir et appuyez fermement sur le taquet de verrouillage, en tirant le tiroir.
- Enlevez les étiquettes des compartiments d'eau de Javel et d'adoucissant et l'étiquette de détergent. Rincez à l'eau chaude les étiquettes et le tiroir pour enlever toute trace de produit de lessivage.
- Pour nettoyer l'ouverture du tiroir, utilisez une petite brosse pour l'intérieur. Enlevez tout résidu en haut et en bas de l'intérieur.
- Remettez les étiquettes dans leur bon compartiment. Remettez en place le tiroir de distribution.



# Instructions d'installation

# Laveuse

Des questions? Appelez le 1.800.561.3344 ou Visitez notre site Web à l'adresse : [www.electromenagersge.ca](http://www.electromenagersge.ca)

## AVANT DE COMMENCER

Lisez ces instructions entièrement et soigneusement.

- **IMPORTANT** – Conservez ces instructions pour l'inspecteur local.
- **IMPORTANT** – Observez tous les codes et les ordonnances en vigueur.
- **Note à l'installateur** – Assurez-vous de laisser ces instructions au consommateur.
- **Note au consommateur** – Conservez ces instructions à titre de référence.
- **Niveau de compétences** – L'installation de cet appareil électroménager nécessite des compétences mécaniques et électriques de base.
- **Temps d'installation** – 1-3 heures
- L'installateur est responsable de bien installer cet appareil.
- Toute panne de produit due à une mauvaise installation n'est pas couverte par la garantie.

## POUR VOTRE SÉCURITÉ :

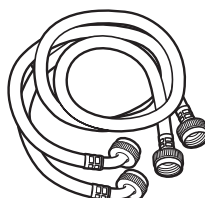
### ▲ AVERTISSEMENT

- Cet appareil électroménager doit être bien mis à la terre et installé conformément à ces *Instructions d'installation*.
- N'installez jamais ou ne rangez jamais votre appareil dans un endroit où il est exposé à l'eau ou aux intempéries. Consultez la section *Emplacement de votre laveuse*.
- **NOTE :** Cet appareil électroménager doit être bien mis à la terre et l'alimentation électrique de votre laveuse doit se conformer aux ordonnances et codes locaux et à la dernière édition du National Electrical Code, ANSI/NFPA 70.

## OUTILS NÉCESSAIRES POUR INSTALLER LA LAVEUSE

- Tourne-écrou de 1/4 po.
- Douille de 3/8 po. avec clé à cliquet
- Clé à fourche de 3/8 po.
- Clé anglaise ou douille de 7/16 po. avec clé à cliquet
- Clé anglaise ou clé à fourche de 9/16 po.
- Pince multiprise à crémaillère
- Niveau à bulle

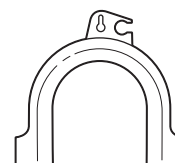
## PIÈCES FOURNIES



Tuyaux d'eau (2)



Attache de câble



Guide de tuyau

## TROUSSE POUR MONTAGE SUPERPOSÉ

Une trousse pour montage superposé est disponible moyennant des frais supplémentaires. On peut la commander aux Canada en visitant notre site web à [www.electromenagersge.ca](http://www.electromenagersge.ca) ou en composant le 1.800.561.3344. Commandez la trousse #WE25X10018 ou GEFLSTACK.

# Instructions d'installation

## EMPLACEMENT DE VOTRE LAVEUSE

### N'installez jamais votre laveuse :

1. Dans un endroit exposé à de l'eau qui coule ou aux conditions climatiques extérieures. La température ambiante ne doit jamais être inférieure à 15,6°C (60°F) pour que la laveuse fonctionne bien.
2. Dans un endroit où elle entre en contact avec des tentures ou des rideaux.
3. Sur un tapis. Le sol **DOIT** être une surface dure avec une pente maximum de 1,27 cm per 30 cm (1/2 pouce par pied). Pour vous assurer que la laveuse ne vibre pas ou ne bouge pas, il est possible que vous deviez renforcer le plancher.

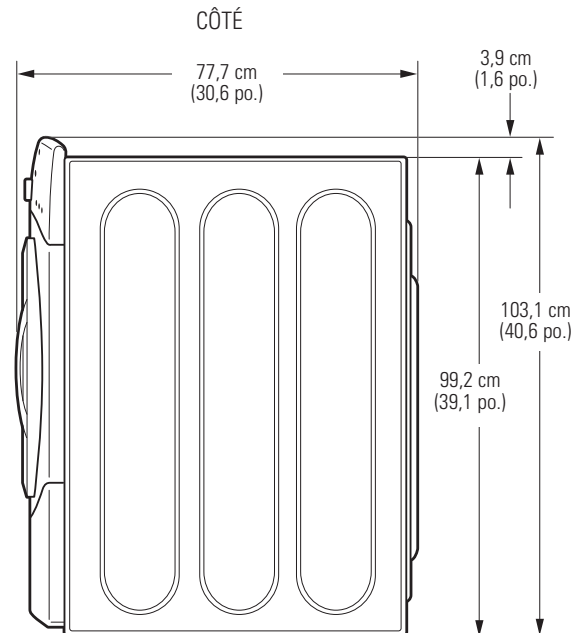
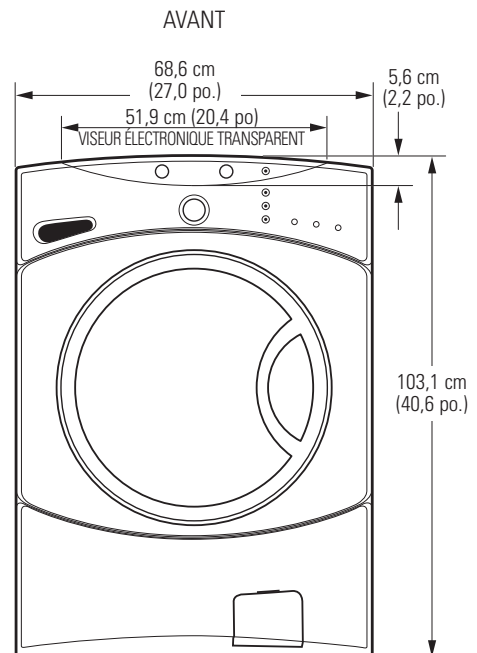
**NOTE :** Si le plancher est en mauvais état, utilisez une feuille de contreplaqué traité de 3/4 po. fixé solidement à la couverture de plancher actuelle.

### IMPORTANT :

### Espaces libres minimum pour l'installation

- Installation dans une alcôve : Côtés, arrière, haut = 0 cm (0 po.)
- Installation dans un placard : Côtés, arrière, haut = 0 cm (0 po.), avant = 2,54 cm (1 po.)
- Ouverture de ventilation de porte de placard requise : 2 grilles d'aération chaque 387 cm<sup>2</sup> (60 pouce carré), situées à 7,6 cm (3 po.) du haut et du bas de la porte.

## DIMENSIONS



\*NOTE : Avec socle, 134 cm (52,6 po.)  
Superposé, 213 cm (84 po.)

# Instructions d'installation

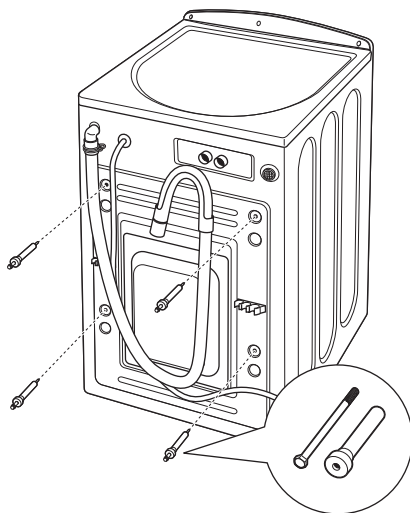
## DÉBALLAGE DE VOTRE LAVEUSE

**⚠ AVERTISSEMENT :** Recyclez ou détruisez le carton et les sacs en matière plastique après avoir déballé votre laveuse. Mettez ces matériaux hors de la portée des enfants. Les enfants peuvent être tentés de les utiliser pour jouer. Les cartons recouverts de tapis, de couve-lit, ou de drap en matière plastique peuvent devenir des chambres hermétiquement closes risquant d'étouffer des enfants.

1. Coupez et enlevez les bandes d'emballage du haut et du bas.
2. Alors qu'elle est dans le carton, posez avec soin la laveuse sur son côté. NE LAISSEZ JAMAIS reposer la laveuse sur son avant ou son arrière.
3. Tournez vers le bas les rebords du bas—enlevez tout l'emballage de base, y compris le carton, la base en styrofoam et le soutien de cuve en styrofoam (insérée au centre de la base).

**NOTE :** Si vous installez votre laveuse sur un pédestal, suivez les instructions d'installation qui accompagnent le pédestal.

4. Remettez soigneusement la laveuse debout et enlevez le carton.
5. Amenez soigneusement la laveuse à moins de 122 cm (4 pieds) de son emplacement final.
6. Enlevez les pièces suivantes de l'arrière de la laveuse :
  - 4 boulons
  - 4 bagues en matière plastique (y compris les anneaux en caoutchouc)
  - 4 dispositifs de cordon d'alimentation



**NOTE :** Si vous n'enlevez pas les cales d'expédition, vous risquez de déséquilibrer sérieusement la laveuse.

**Conservez tous les boulons pour un usage futur.**

**NOTE :** Si vous devez transporter la laveuse à une date future, vous devez remettre en place la quincaillerie de soutien d'emballage pour éviter tout dommage pendant le transport. Conservez la quincaillerie dans le sac en matière plastique fourni.

**Au cas où vous auriez mal placé les boulons de transport, on peut se procurer des boulons de rechange moyennant des frais supplémentaires. On peut les commander au Canada en visitant notre site web à [www.electromenagersge.ca](http://www.electromenagersge.ca) ou en composant le 1.800.561.3344. Commandez la trousse #WH49X10039.**

# Instructions d'installation

## EXIGENCES ÉLECTRIQUES

Lisez ces instructions soigneusement et complètement.

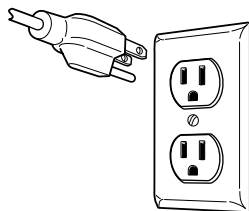
### **⚠ AVERTISSEMENT** — POUR RÉDUIRE LE DANGER D'INCENDIE, DE SECOUSSE ÉLECTRIQUE ET LES BLESSURES CORPORELLES :

- **N'UTILISEZ PAS DE CORDON PROLONGATEUR OU UNE FICHE D'ADAPTATION AVEC CET APPAREIL.**  
La laveuse doit être mise à la terre conformément à toutes les ordonnances et à tous les codes locaux ou, en l'absence de codes locaux, aux National Electrical Code, ANSI/NFPA 70.

**CIRCUIT** – Circuit de dérivation individuel, bien polarisé et mis à la terre, de 15 amp., branché par l'intermédiaire d'un fusible à retardement ou d'un disjoncteur de 15 amp.

**ALIMENTATION ÉLECTRIQUE** – 2-fils, avec mise à la terre, monophasée, 120-volt., 60-Hz, courant alternatif.

**PRISE MURALE** – Prise bien mise à la terre, triphasée, située dans un emplacement tel que le cordon d'alimentation est accessible quand la laveuse est installée.



## EXIGENCES DE MISE À LA TERRE

**⚠ AVERTISSEMENT :** Un mauvais branchement de la mise à la terre de votre laveuse peut occasionner un risque de secousse électrique. Vérifiez auprès d'un électricien licencié si vous ne savez pas si votre appareil est bien mis à la terre.

1. La laveuse **DOIT** être mise à la terre. En cas de mauvais fonctionnement ou de panne, la mise à la terre réduit le risque de secousse en fournissant un chemin de moindre résistance au courant électrique.
2. Comme votre laveuse est équipée d'un cordon d'alimentation électrique qui a un conducteur de mise à la terre et une fiche de mise à la terre, la fiche **DOIT** être branchée dans une prise adéquate, câblée en cuivre, qui est bien installée et mise à la terre conformément à toutes les ordonnances et à tous les codes locaux ou, en l'absence de codes locaux, aux National Electrical Codes, ANSI/NFPA 70 (dernière édition). En cas de doute, appelez un électricien licencié. **NE COUPEZ PAS** ou ne modifiez jamais la broche de mise à la terre du cordon d'alimentation électrique. Dans les situations où il existe une prise à deux trous, le propriétaire est responsable de demander à un électricien licencié de la remplacer par une prise à trois trous **bien mise à la terre**.

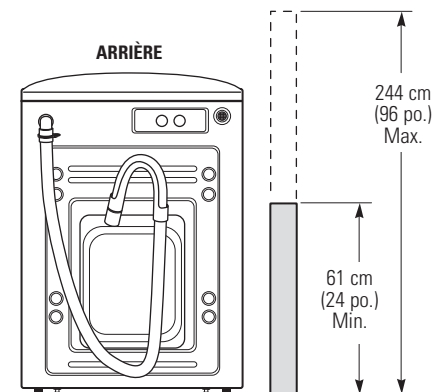
## EXIGENCES D'ALIMENTATION D'EAU

Vous **DEVEZ** installer des robinets d'eau chaude et froide à moins de 42 pouces (107 cm) de l'entrée d'eau de votre laveuse. Les robinets **DOIVENT** être des robinets de jardin de 1,9 cm (3/4 po.), pour pouvoir brancher les tuyaux d'entrée. La pression de l'eau **DOIT** être entre 10 et 120 livres par pouce carré. Votre service d'eau peut vous indiquer votre pression d'eau. La température de l'eau chaude doit être réglée de manière à fournir de l'eau à une température de 48°C à 60°C (120°F à 140°F).

## EXIGENCES DE VIDANGE

1. Une vidange capable d'éliminer 64,3 L (17 gals) par minute.
2. Un diamètre minimum de tuyau ascendant de 3,18 cm (1 1/4 po.).
3. La hauteur du tuyau ascendant au dessus du plancher doit être la suivante :

Hauteur minimum : 61 cm (24 po.)  
Hauteur maximum : 244 cm (96 po.)

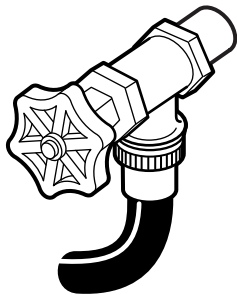
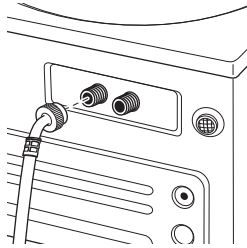


**NOTE :** Le tuyau de vidange attaché à la laveuse doit pouvoir atteindre un tuyau ascendant de 147 cm (58 po.). Pour un tuyau ascendant plus élevé, contactez un distributeur autorisé de pièces.

# Instructions d'installation

## INSTALLATION DE LA LAVEUSE

1. Faites couler un peu d'eau des robinets chaud et froid pour purger les tuyaux d'eau et enlever les particules qui peuvent boucher les tamis de robinet d'eau.
2. Enlevez les tuyaux d'entrée d'eau du sac en matière plastique.
3. (extrémité coudée 90°)  
Branchez soigneusement le tuyau d'entrée marqué HOT (chaud) à la sortie extérieure du robinet d'eau marquée H. Serrez à la main, puis serrez encore 2/3 de tour avec des pinces. Branchez soigneusement l'autre tuyau d'entrée à la sortie intérieure du robinet d'eau marquée C. Serrez à la main, puis serrez encore 2/3 de tour avec des pinces. **Ne faussez pas le filetage ou ne serrez pas trop ces branchements.**
4. Branchez les extrémités du tuyau d'entrée aux robinet d'eau CHAUDE et FROIDE, en serrant légèrement à la main, puis en serrant encore 2/3 de tour avec des pinces. Ouvrez l'eau et vérifiez qu'il n'y ait pas de fuite.

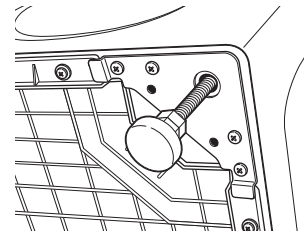


5. Amenez soigneusement la laveuse dans son emplacement final. Mettez gentilement la laveuse à sa place, en la balançant. Il est important de ne pas endommager les pattes de nivellement en caoutchouc lorsque vous déplacez la laveuse vers sa position finale. Des pattes endommagées peuvent accroître les vibrations produites par la laveuse. La vaporisation de nettoyant à vitres sur le plancher peut faciliter le déplacement de la laveuse vers sa position finale.  
**NOTE :** Afin de réduire les vibrations, assurez-vous que les quatre pattes de nivellement reposent fermement au plancher. Poussez et tirez sur l'arrière de la laveuse du côté droit, puis du côté gauche pour ajuster les pattes.

**NOTE :** N'essayez jamais de soulever la laveuse par sa porte ou par son tiroir distributeur.

**NOTE :** Si vous installez dans un bac de vidange, vous pouvez utiliser un 2 x 4 long de 24 po. pour bien mettre à l'horizontale la laveuse.

6. La laveuse dans son emplacement final, placez un niveau à bulle sur la laveuse (si elle est installée sous un comptoir, elle ne doit pas bouger). Ajustez les pieds d'inclinaison avant vers le haut ou vers le bas pour vous assurer qu'elle ne bouge pas. Tournez les contre-écrous de chaque pied vers la base de la laveuse et serrez avec une clé anglaise.



**NOTE :** Conservez les extensions des pieds à un minimum pour empêcher les vibrations. Plus les pieds sont tirés, et plus la laveuse vibre.

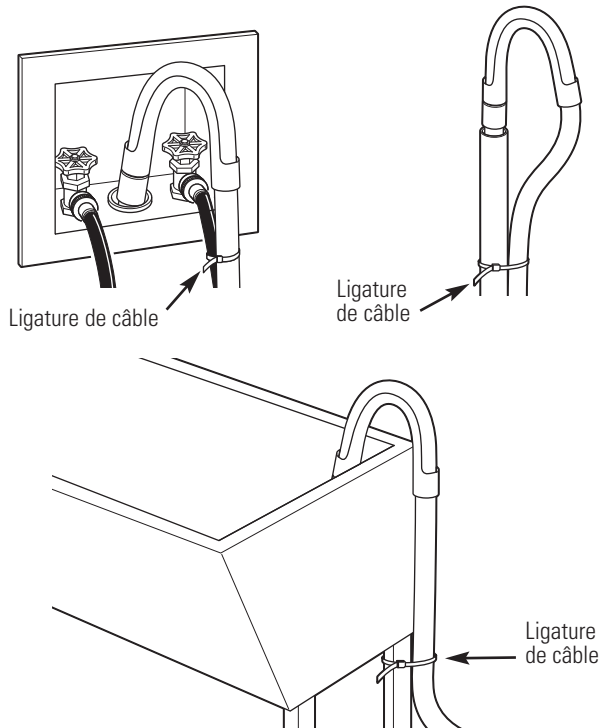
Si le plancher n'est pas bien horizontal ou est endommagé, il est possible que vous deviez allonger les pieds d'inclinaison arrière.

# Instructions d'installation

## INSTALLATION DE LA LAVEUSE (suite)

7. Attachez le guide de tuyau en U à l'extrémité du tuyau de vidange. Placez le tuyau dans une cuve à lessive ou un tuyau vertical et liez-le avec la ligature de câble fournie dans le paquet.

**NOTE :** Si le tuyau de vidange est trop enfoncé dans le tuyau d'évacuation, il peut y avoir un effet de siphon. La longueur de tuyau de vidange dans le tuyau d'évacuation ne doit pas dépasser 18 cm (7 po). Il doit y avoir un espace rempli d'air autour du tuyau d'évacuation. Un montage serré peut également provoquer un effet de siphon.



8. Branchez le cordon d'alimentation dans une prise mise à la terre.

**NOTE :** Vérifiez que le courant est coupé au niveau du disjoncteur ou de la boîte à fusibles avant de brancher le cordon d'alimentation à une prise.

9. Branchez le courant au niveau du disjoncteur ou de la boîte à fusibles.
10. Lisez le reste de ce Manuel du propriétaire. Il contient des renseignements précieux et utiles qui vous feront économiser du temps et de l'argent.
11. **Avant de mettre en marche la laveuse, vérifiez que tout est en ordre :**
- L'alimentation principale de courant est branchée.
  - La laveuse est branchée à la prise.
  - Les robinets d'eau sont ouverts.
  - L'appareil est bien horizontal et les quatre pattes de nivellement reposent fermement sur le plancher.
  - La quincaillerie de soutien pour l'expédition est enlevée et mise de côté.
  - Le tuyau de vidange est bien attaché.
  - Le robinet, les rondelles et le tuyau de vidange ne fuient pas.
12. Faites marcher la laveuse pendant un cycle complet. Vérifiez qu'il n'y a aucune fuite d'eau et qu'elle fonctionne bien.
13. Si votre laveuse ne fonctionne pas, nous vous prions de consulter la section *Avant d'appeler un réparateur*, avant d'appeler le service.
14. Rangez ces instructions dans un emplacement proche de la laveuse pour référence future.

## PIÈCES DE RECHANGE

Si vous avez besoin de pièces de rechange pour votre laveuse, vous pouvez les commander au Canada en visitant notre site web [www.electromenagersge.ca](http://www.electromenagersge.ca) ou en appelant le 800.561.3344.



Conseils de dépannage—Économisez du temps et de l'argent!  
Consultez d'abord les tableaux qui suivent et vous pourrez peut-être éviter de faire appel à un réparateur.

Problème	Causes possibles	Correctifs
<b>Pas de vidange</b> <b>Pas d'essorage</b> <b>Pas de brassage</b>	<b>La charge de vêtements est déséquilibrée</b>	<ul style="list-style-type: none"> <li>Répartissez la charge de vêtements dans la laveuse et programmez le cycle « drain &amp; spin » (drainage et rotation) ou « rinse &amp; spin » (rinçage et rotation).</li> <li>Augmentez la taille de la charge de vêtements si vous avez une petite charge à laver contenant à la fois des articles lourds et des articles légers.</li> </ul>
	<b>La pompe est bouchée</b>	<ul style="list-style-type: none"> <li>Référez-vous à la page 13 pour savoir comment nettoyer le filtre de la pompe.</li> </ul>
	<b>Le tuyau de vidange est coudé ou mal branché</b>	<ul style="list-style-type: none"> <li>Remettez droit le tuyau de vidange et assurez-vous que la laveuse ne le bloque pas.</li> </ul>
	<b>La vidange de la maison est peut-être bloquée</b>	<ul style="list-style-type: none"> <li>Vérifiez la plomberie de la maison. Il est possible que vous ayez besoin d'appeler un plombier.</li> </ul>
	<b>Siphonnement du tuyau de vidange; le tuyau de vidange a été poussé trop loin dans le drain</b>	<ul style="list-style-type: none"> <li>Assurez-vous qu'il y a un espace d'air entre le tuyau de vidange et le drain.</li> </ul>
<b>Fuite d'eau</b>	<b>Le joint de la porte est endommagé</b>	<ul style="list-style-type: none"> <li>Vérifiez si le joint est bien en place et s'il n'est pas déchiré. Les objets oubliés dans les poches peuvent endommager la laveuse (clous, vis, stylos, crayons).</li> </ul>
	<b>Le joint de la porte n'est pas endommagé</b>	<ul style="list-style-type: none"> <li>L'eau peut dégoutter de la porte lorsque celle-ci est ouverte. Il s'agit d'un fonctionnement normal.</li> <li>Essuyez doucement le joint en caoutchouc de la porte. Des saletés ou des vêtements peuvent parfois rester dans le joint et provoquer une légère fuite.</li> </ul>
	<b>Vérifiez la présence d'eau à la partie arrière gauche de la laveuse</b>	<ul style="list-style-type: none"> <li>Si cette partie est mouillée, cela indique la présence d'un surplus de mousse savonneuse. Utilisez moins de détergent.</li> </ul>
	<b>Les tuyaux d'entrée de l'eau ou le tuyau de vidange ne sont pas bien branchés</b>	<ul style="list-style-type: none"> <li>Assurez-vous que les tuyaux soient bien branchés au niveau des robinets et la laveuse et assurez-vous que le tuyau de vidange soit bien inséré et fixé à l'installation de vidange.</li> </ul>
	<b>La vidange de la maison est peut-être bloquée</b>	<ul style="list-style-type: none"> <li>Vérifiez la plomberie de la maison. Il est possible que vous ayez besoin d'appeler un plombier.</li> </ul>
	<b>Distributeur obstrué</b>	<ul style="list-style-type: none"> <li>Le savon en poudre peut former des agrégats à l'intérieur du distributeur et ainsi causer une fuite d'eau sur le devant du distributeur. Retirez le tiroir et nettoyez le tiroir et le distributeur. Veuillez vous référer au chapitre Nettoyage de la Laveuse.</li> </ul>
	<b>Utilisation incorrecte du détergent</b>	<ul style="list-style-type: none"> <li>Utilisez du détergent à haute efficacité et la quantité correcte de détergent.</li> </ul>
	<b>Fissure dans le distributeur</b>	<ul style="list-style-type: none"> <li>S'il s'agit d'une nouvelle installation, vérifiez qu'il n'y pas de fissure à l'intérieur du distributeur.</li> </ul>

## Avant d'appeler un réparateur...

Problème	Causes possibles	Correctifs
Vêtements trop mouillés	La charge de vêtements est déséquilibrée	<ul style="list-style-type: none"> <li>Répartissez la charge de vêtements dans la laveuse et programmez le cycle « drain &amp; spin » (drainage et rotation) ou « rinse &amp; spin » (rinçage et rotation).</li> <li>Augmentez la taille de la charge de vêtements si vous avez une petite charge à laver contenant à la fois des articles lourds et des articles légers.</li> <li>La machine ralentira l'essorage à 410 rpm si la charge est difficile à équilibrer. Cette vitesse est normale.</li> </ul>
	La pompe est bouchée	<ul style="list-style-type: none"> <li>Référez-vous à la page 13 pour savoir comment nettoyer le filtre de la pompe.</li> </ul>
	Surcharge	<ul style="list-style-type: none"> <li>La charge de linge sec ne doit pas dépasser 16 livres (7,3 kg).</li> </ul>
	Le tuyau de vidange est coudé ou mal branché	<ul style="list-style-type: none"> <li>Remettez droit le tuyau de vidange et assurez-vous que la laveuse ne le bloque pas.</li> </ul>
	La vidange de la maison est peut-être bloquée	<ul style="list-style-type: none"> <li>Vérifiez la plomberie de la maison. Il est possible que vous ayez besoin d'appeler un plombier.</li> </ul>
Siphonnement du tuyau de vidange; le tuyau de vidange a été poussé trop loin dans le drain	<ul style="list-style-type: none"> <li>Assurez-vous qu'il y a un espace d'air entre le tuyau de vidange et le drain.</li> </ul>	
Cycle incomplet ou minuterie arrêtée	Nouvelle répartition automatique de la charge de vêtements	<ul style="list-style-type: none"> <li>La minuterie ajoute 3 minutes au cycle. La laveuse répartit la charge à onze ou quinze reprises. Il s'agit d'un fonctionnement normal. Vous n'avez rien à faire; la laveuse va compléter son cycle de lavage.</li> </ul>
	La pompe est bouchée	<ul style="list-style-type: none"> <li>Référez-vous à la page 13 pour savoir comment nettoyer le filtre de la pompe.</li> </ul>
	Le tuyau de vidange est coudé ou mal branché	<ul style="list-style-type: none"> <li>Remettez droit le tuyau de vidange et assurez-vous que la laveuse ne le bloque pas.</li> </ul>
	La vidange de la maison est peut-être bloquée	<ul style="list-style-type: none"> <li>Vérifiez la plomberie de la maison. Il est possible que vous ayez besoin d'appeler un plombier.</li> </ul>
	Siphonnement du tuyau de vidange; le tuyau de vidange a été poussé trop loin dans le drain	<ul style="list-style-type: none"> <li>Assurez-vous qu'il y a un espace d'air entre le tuyau de vidange et le drain.</li> </ul>
Bruit fort ou inhabituel; vibrations ou secousses	Mouvement de la caisse	<ul style="list-style-type: none"> <li>La laveuse a été conçue de façon à permettre un mouvement de 0,6 cm (1/4 po) afin de réduire la transmission des forces au plancher. Ce mouvement est normal.</li> </ul>
	Les pattes de nivellement en caoutchouc ne reposent pas toutes fermement sur le plancher	<ul style="list-style-type: none"> <li>Poussez et tirez sur l'arrière de la laveuse du côté droit, puis du côté gauche pour vérifier qu'elle est bien de niveau. Si la laveuse n'est pas de niveau, réglez les pattes de nivellement en caoutchouc de manière à ce qu'elles reposent toutes fermement sur le plancher et verrouillé en place. Votre installateur devrait corriger ce problème.</li> </ul>
	La charge de vêtements est déséquilibrée	<ul style="list-style-type: none"> <li>Ouvrez la porte et répartissez la charge de vêtements manuellement. Pour vérifier que la machine fonctionne bien, programmez-la avec le cycle « rinse and spin » (rinçage et rotation) et aucune charge. Si tout va bien, le déséquilibre était causé par la mauvaise répartition de la charge.</li> </ul>
	La pompe est bouchée	<ul style="list-style-type: none"> <li>Référez-vous à la page 13 pour savoir comment nettoyer le filtre de la pompe.</li> </ul>



Problème	Causes possibles	Correctifs
Aucune puissance/ la laveuse ne fonctionne pas ou semble hors tension	La laveuse n'est pas branchée	• Assurez-vous que la fiche de la laveuse est fermement branchée dans une prise de courant sous tension.
	L'alimentation d'eau est coupée	• Ouvrez complètement les robinets d'eau chaude et froide.
	Le disjoncteur a basculé/ le fusible a sauté	• Vérifiez les disjoncteurs/fusibles de la maison. Remplacez les fusibles ou remettez en marche le disjoncteur. La laveuse doit avoir une sortie différente de courant.
	Vérifications automatiques du système	• La première fois que la laveuse est branchée, des vérifications du système sont effectuées. Vous devez attendre jusqu'à 20 secondes avant de pouvoir vous servir de la laveuse. Il s'agit d'un fonctionnement normal.
Files tirés, trous, déchirures coupures ou usure excessive	Surcharge	• Ne dépassez pas les charges maximales recommandées. Consultez les charges maximales recommandées à la page 11.
	Des stylos, crayons, clous, vis ou autres objets ont été oubliés dans les poches de vêtements	• Retirez les objets des poches des vêtements.
	Épingles, agrafes, crochets, boutons aiguisés, boucles de ceinture, fermetures éclair et objets aiguisés laissés dans les poches	• Attachez les agrafes, les crochets, les boutons et les fermetures éclair.
Le temps de contrôle est incorrect ou change	Ceci est normal	• Pendant l'essorage, il est possible que la laveuse ait besoin de redistribuer la charge pour réduire les vibrations. Dans ce cas, le temps estimé augmente et le temps restant affiché sera également augmenté ou passera à une autre valeur.
Pas assez d'eau	Ceci est normal	• Il n'est pas nécessaire de remplir la cuve d'une laveuse à axe horizontal d'eau, contrairement aux laveuses à axe vertical.
La laveuse s'arrête, doit être remise en marche ou encore la porte est verrouillée et ne peut être ouverte	La pompe est bouchée	• Référez-vous à la page 13 pour savoir comment nettoyer le filtre de la pompe.
La porte se déverrouille ou en appuyant sur START (marche), la machine ne se met pas en marche	Ceci est normal	• Les machines à chargement frontal démarrent différemment des machines à chargement par le dessus. Il faut 30 secondes pour vérifier le système. La porte se verrouille et se déverrouille.
	Manipulation incorrecte	• Simplement ouvrez et fermez bien la porte, et appuyez ensuite sur START (marche).
L'eau n'entre pas ou entre lentement dans la laveuse	Vérifications automatiques du système	• Après que la touche <b>START</b> (Marche) a été enfoncée, la laveuse procède à plusieurs vérifications de système. La machine se remplira d'eau 60 secondes après avoir appuyé sur le bouton <b>START</b> (marche).
	L'alimentation d'eau est coupée	• Ouvrez complètement les robinets d'eau chaude et froide.
	Les tamis des robinets d'eau sont bouchés	• Coupez la source d'eau et enlevez les tuyaux de branchement de l'eau à l'arrière en haut de la laveuse. Utilisez une brosse ou un cure-dents pour nettoyer les tamis de la machine. Rebranchez les tuyaux et ouvrez l'eau à nouveau.
Plissage	Mauvais tri	• Évitez de mélanger les articles lourds (comme les vêtements de travail) avec les articles légers (comme les blouses).
	Surcharge	• Chargez votre laveuse de manière à ce que les vêtements aient assez d'espace pour bouger.
	Mauvais cycle de lavage	• Utilisez un cycle de lavage qui convient à la catégorie de tissus que vous lavez (en particulier pour les charges de tissus faciles à laver).
	Lavages répétés dans de l'eau trop chaude	• Lavez dans de l'eau chaude ou froide.

## Avant d'appeler un réparateur...

Problème	Causes possibles	Correctifs
Vêtements devenus gris ou jaunes	Pas assez de détergent	<ul style="list-style-type: none"> <li>Utilisez le bon montant de détergent.</li> </ul>
	Vous n'utilisez pas le détergent à haute efficacité	<ul style="list-style-type: none"> <li>Utilisez du détergent à haute efficacité.</li> </ul>
	Eau calcaire	<ul style="list-style-type: none"> <li>Utilisez de l'eau plus chaude pour les tissus.</li> <li>Utilisez un conditionneur d'eau comme celui de marque Calgon ou installez un adoucisseur d'eau.</li> </ul>
	L'eau n'est pas suffisamment chaude	<ul style="list-style-type: none"> <li>Assurez-vous que le chauffe-eau produit de l'eau à une température de 48°-60°C (120°-140°F).</li> </ul>
	Le détergent ne se dissout pas	<ul style="list-style-type: none"> <li>Essayez un détergent liquide.</li> </ul>
Taches de couleur	Transfert de colorant	<ul style="list-style-type: none"> <li>Triez les vêtements par couleur. Si l'étiquette du tissu indique <i>lavez séparément</i>, cela peut indiquer que le tissu contient des colorants instables.</li> </ul>
	Mauvaise utilisation de l'adoucisseur	<ul style="list-style-type: none"> <li>Vérifiez les instructions du paquet d'adoucisseur et suivez-les pour utiliser le distributeur.</li> </ul>
La température de l'eau n'est pas bonne	Transfert de colorant	<ul style="list-style-type: none"> <li>Séparez les articles blancs ou de couleur claire de ceux de couleur sombre.</li> <li>Retirez rapidement la charge de lavage de la laveuse.</li> </ul>
	L'alimentation d'eau n'est pas bien branchée	<ul style="list-style-type: none"> <li>Assurez-vous que les tuyaux sont branchés aux bons robinets.</li> </ul>
	Le chauffe-eau de la maison n'est pas bien réglé	<ul style="list-style-type: none"> <li>Assurez-vous que le chauffe-eau de la maison fournisse de l'eau à une température de 48°-60°C (120°-140°F).</li> </ul>
Légère variation dans la couleur métallique	Ceci est normal	<ul style="list-style-type: none"> <li>Étant donné les propriétés métalliques de la peinture utilisée pour ce produit unique, de légères variations de couleur peuvent survenir selon l'angle de vision et les conditions d'éclairage.</li> </ul>
Mauvaise odeur dans votre laveuse	Laveuse inutilisée pendant une longue période, non-utilisation du détergent de qualité HE recommandé ou trop de détergent	<ul style="list-style-type: none"> <li>Lancez un cycle <b>BasketClean</b>.</li> <li>En cas de forte odeur, il peut être nécessaire d'effectuer plusieurs cycles <b>BasketClean</b>.</li> <li>Utilisez uniquement la quantité de détergent recommandée sur l'emballage du détergent.</li> <li>Utilisez uniquement du détergent HE (Haut rendement).</li> <li>Retirez rapidement les articles mouillés de votre machine à la fin d'un cycle.</li> <li>Laissez la porte légèrement entrouverte pour laisser sécher à l'air libre. <b>Une surveillance accrue est nécessaire lors de l'utilisation de cet appareil par ou en présence d'enfants. Ne leur permettez pas de jouer sur le dessus, avec ou à l'intérieur de cette laveuse ou avec tout autre appareil électroménager.</b></li> </ul>
Fuite de détergent	Positionnement incorrect du distributeur de détergent	<ul style="list-style-type: none"> <li>Assurez-vous que le distributeur de détergent est correctement et complètement positionné. Ne jamais ajouter de détergent au dessus de la ligne de remplissage maximal.</li> </ul>
	Ceci est normal	<ul style="list-style-type: none"> <li>Il est normal de voir le détergent couler le long du joint de la porte environ 20 secondes après avoir rempli le distributeur.</li> </ul>
Mauvaise distribution d'assouplissant ou de javellissant	Le distributeur est bouché	<ul style="list-style-type: none"> <li>Nettoyez une fois par mois le tiroir du distributeur pour éviter tout dépôt de produits chimiques.</li> </ul>
	L'assouplissant ou le javellissant ont été ajoutés dans le distributeur au dessus de la ligne de remplissage maximal	<ul style="list-style-type: none"> <li>Assurez-vous d'utiliser la quantité correcte d'assouplissant ou de javellissant.</li> </ul>
	Problème avec le bouchon de l'assouplissant ou de javellissant	<ul style="list-style-type: none"> <li>Assurez-vous que les bouchons de l'assouplissant ou du javellissant du distributeur sont correctement positionnés. Dans le cas contraire, ils ne fonctionneront pas.</li> </ul>

# Garantie de laveuse GE.



Tout le service sous garantie est fourni par nos Centres de service de fabrique ou par un technicien autorisé. Pour le service, appelez le 1.800.561.3344.

Veillez fournir le numéro de série et le numéro de modèle lorsque vous appelez pour obtenir le service.

## Pour une période de : Nous remplacerons :

### Un an

À partir de la date de l'achat original

**Toute pièce** de la laveuse qui tombe en panne à cause d'un vice de matériau ou de main-d'œuvre. Pendant cette **garantie limitée d'un an**, GE fournit également, **gratuitement**, tous les frais de main-d'œuvre et de services connexes pour remplacer la pièce défectueuse.

## Ce qui n'est pas couvert :

- Les frais de déplacements à votre maison pour vous apprendre à utiliser votre produit.
- Une mauvaise installation, livraison ou entretien.
- Une panne du produit si celui-ci est maltraité, mal utilisé ou utilisé à des fins autres que celles auxquelles il est destiné, ou utilisé commercialement.
- Des dommages après la livraison.
- Le remplacement de fusibles de la maison ou la remise en marche d'un disjoncteur.
- Des dommages au produit causés par un accident, un incendie, une inondation ou une catastrophe naturelle.
- Tout dommage indirect ou consécutif causé par des pannes possibles de cet appareil électroménager.
- Le service s'il est impossible d'avoir accès au produit pour ce faire.

**EXCLUSION DE GARANTIES IMPLICITES** - Votre seul et unique recours est la réparation du produit selon les dispositions de cette Garantie limitée. Toutes les garanties implicites, incluant les garanties de commercialité et d'adéquation à un usage spécifique, sont limitées à une année ou à la période la plus courte autorisée par la législation.

Cette garantie est offerte à l'acheteur initial, ainsi qu'à tout propriétaire subséquent d'un produit acheté au Canada en vue d'une utilisation domestique au Canada.. Le service à domicile en vertu de la garantie sera fourni dans les régions où il est disponible et où Mabe estime raisonnable de le fournir.

LE GARANT N'EST PAS RESPONSABLE DES DOMMAGES INDIRECTS.

Garant : MABE CANADA INC.

## Soutien au consommateur.

---



### Site Web appareils électroménagers GE [www.electromenagersge.ca](http://www.electromenagersge.ca)

---

Vous avez une question ou vous avez besoin d'aide pour votre appareil électroménager? Contactez-nous par Internet au site [www.electromenagersge.ca](http://www.electromenagersge.ca), 24 heures par jour, tous les jours de l'année.

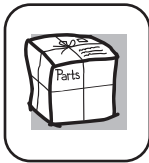


### Service de réparations

---

**1.800.561.3344**

Service de réparations GE est tout près de vous.  
Pour faire réparer votre électroménager GE, il suffit de nous téléphoner.



### Pièces et accessoires

---

Ceux qui désirent réparer eux-mêmes leurs électroménagers peuvent recevoir pièces et accessoires directement à la maison (cartes VISA, MasterCard et Discover acceptées).

**Les directives stipulées dans le présent manuel peuvent être effectuées par n'importe quel utilisateur. Les autres réparations doivent généralement être effectuées par un technicien qualifié. Soyez prudent, car une réparation inadéquate peut affecter le fonctionnement sécuritaire de l'appareil.**

Vous trouverez dans les pages jaunes de votre annuaire le numéro du Centre de service Mabe le plus proche. Autrement, appelez-nous au 1.800.661.1616.



### Contactez-nous

---

Si vous n'êtes pas satisfait du service après-vente dont vous avez bénéficié :

**Premièrement**, communiquez avec les gens qui ont réparé votre appareil.

**Ensuite**, si vous n'êtes toujours pas satisfait envoyez tous les détails–numéro de téléphone compris–au  
Directeur, Relations avec les consommateurs, Mabe Canada Inc.  
Bureau 310, 1 Factory Lane  
Moncton, N.B. E1C 9M3



### Inscrivez votre appareil électroménager [www.electromenagersge.ca](http://www.electromenagersge.ca)

---

**Inscrivez votre appareil électroménager en direct, aussitôt que possible.** Cela améliorera nos communications et notre service après-vente. Vous pouvez également nous envoyer par la poste le formulaire d'inscription joint à votre documentation.

## Free Manuals Download Website

<http://myh66.com>

<http://usermanuals.us>

<http://www.somanuals.com>

<http://www.4manuals.cc>

<http://www.manual-lib.com>

<http://www.404manual.com>

<http://www.luxmanual.com>

<http://aubethermostatmanual.com>

Golf course search by state

<http://golfingnear.com>

Email search by domain

<http://emailbydomain.com>

Auto manuals search

<http://auto.somanuals.com>

TV manuals search

<http://tv.somanuals.com>