



Water Filtration system

Safety Instructions2

Operating Instructions

Specification Guidelines3

Using the System4

Installation Instructions ...5-11

Battery Pack Installation8

Faucet Installation7, 8

Feed Water Supply6

Filter Cartridge Installation
or Flush Procedure10, 11

Important Recommendations ...5

Replacement10, 11

Step-by-Step Instructions7-9

Tools/Materials Required5

Tubing Connections9

Wall Mounting9

Troubleshooting Tips12

Consumer Support

Consumer Support16

Parts List/Catalog13, 14

Warranty15

***Owner's Manual
and Installation
Instructions***

GNSV25CBL

GNSV30CWW

GNSV30CCC

GNSL05CBL (rev. 2)

GN1S15CBL (rev. 2)



GNSL05CBL (rev. 2) and GN1S15CBL (rev. 2) are Tested and Certified by NSF International against ANSI/NSF Standard 42 for the reduction of Particulate Class I, Chlorine, and Taste/Odor and Standard 53 for the reduction of Lead, Cyst, Turbidity, Asbestos, Mercury, Atrazine and Lindane.

GNSV25CBL, GNSV30CWW and GNSV30CCC are Tested and Certified by NSF International against ANSI/NSF Standard 42 for the reduction of Particulate Class I, Chlorine, and Taste/Odor and Standard 53 for the reduction of Lead, Cyst, Mercury, Turbidity, Asbestos and VOC.

Write the model and serial numbers here:

Model # _____

Serial # _____

You can find them on the sump bracket.



**215C1001P019-3
7239707**

49-50057-3 05-02 JR

IMPORTANT SAFETY INFORMATION.

READ ALL INSTRUCTIONS BEFORE USING.

▲ WARNING! *For your safety, the information in this manual must be followed to minimize the risk of property damage or personal injury.*



SAFETY PRECAUTIONS

- Check with your local public works department for plumbing codes. You must follow these guidelines as you install the Water Filtration system.
- Use the Water Filtration system on a potable, safe-to-drink, home **COLD** water supply only. The filter cartridges will not purify the water, or make it safe to drink.

■ **Do not** use on a hot water supply (100°F max.).

▲ WARNING: Do not use with water that is microbiologically unsafe or of unknown quality without adequate disinfection before or after the system. Systems certified for cyst reduction may be used on disinfected water that may contain filterable cysts.



PROPER INSTALLATION

This Water Filtration system must be properly installed and located in accordance with the Installation Instructions before it is used.

- Install or store where it will not be exposed to temperatures below freezing or exposed to any type of weather. Water freezing in the system will damage it. Do not attempt to treat water over 100°F.

- Your Water Filtration system will withstand up to 125 pounds per square inch (psi) water pressure. If your house water supply pressure is higher than 100 psi, install a pressure reducing valve before installing the Water Filtration system.

▲ WARNING: Discard all unused and packaging material after installation. Small parts remaining after installation could be a choke hazard.



READ AND FOLLOW THIS SAFETY INFORMATION CAREFULLY.

SAVE THESE INSTRUCTIONS

Many bad tastes and/or odors are removed from water using activated carbon filter cartridges. They are most often used to remove a chlorine taste and odor. They can also reduce other undesirable elements from drinking water supplies, such as organic chemical contaminants and lead.

NOTE: Small amounts of hydrogen sulfide (noticeable as “rotten egg” odor) may be reduced by taste and odor filters for a short time, but the carbon media is quickly exhausted. Other water conditioning equipment is usually required for the continuous treatment of hydrogen sulfide.

The Water Filtration system uses two filter cartridges.

For Model GN1S15CBL (rev. 2)

FXULC (rev. 2) Filter (600-Gallon Capacity)

Filter – White with yellow end caps

- Reduces dirt, rust and sediment
- Reduces unpleasant tastes and odors
- Reduces Chlorine: Taste and Odor
- Reduces Lead
- Reduces Asbestos
- Reduces filterable cysts (such as cryptosporidium and giardia)
- Reduces Lindane (a pesticide)
- Reduces Turbidity
- Reduces Mercury
- Reduces Atrazine
- 0.5–1 micron nominal particulate reduction

For Model GNSL05CBL (rev. 2)

FXSLC (rev. 2) Filter Set (600-Gallon Capacity)

Filter I – White with no end caps

Filter II – White with yellow end caps

- Reduces dirt, rust and sediment
- Reduces unpleasant tastes and odors
- Reduces Chlorine: Taste and Odor
- Reduces Lead
- Reduces Asbestos
- Reduces filterable cysts (such as cryptosporidium and giardia)
- Reduces Lindane (a pesticide)
- Reduces Turbidity
- Reduces Mercury
- Reduces Atrazine
- 0.5–1 micron nominal particulate reduction

For Models GNSV25CBL, GNSV30CWW and GNSV30CCC

FXSVC (rev. 2) Filter Set (600-Gallon Capacity)

Filter I – White with green end caps

Filter II – Gray

- Reduces dirt, rust and sediment
- Reduces unpleasant tastes and odors
- Reduces Chlorine: Taste and Odor
- Reduces Lead
- Reduces Asbestos
- Reduces filterable cysts (such as cryptosporidium and giardia)
- Reduces Volatile Organic Chemicals (VOCs)
- Reduces Mercury
- 0.5–1 micron absolute particulate reduction

This system conforms to ANSI/NSF 42 and 53 for the specific performance claims as verified and sustained by test data.

Minimum - Maximum Supply Water Pressure – 40–125 pounds per square inch (psi)

Minimum - Maximum Supply Water Temperature – 40°–100°F

Inlet - Outlet – 3/8" NPT, fittings and tubing included

Rated Service Flow – 0.6 gpm [GNSL05CBL (rev. 2) and GN1S15CBL (rev. 2)]

0.6 gpm [GNSV25CBL, GNSV30CWW and GNSV30CCC]

Depending on the treatment needed for a specific water supply, the water filtration system can be customized using any combination of the preceding filter cartridge sets.

About the water filtration system.

Using the Water Filtration System and About the Filter Cartridge

The countertop faucet dispenses filtered drinking water when opened. It has a hand-operated, spring-loaded closed lever to prevent waste. You can keep the faucet open by pushing upward on the lever to lock it against the faucet spout.

Filter Cartridge Life – Several variables determine how long the cartridges will last in your Water Filtration system. These include:

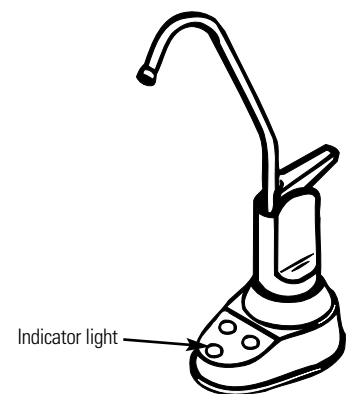
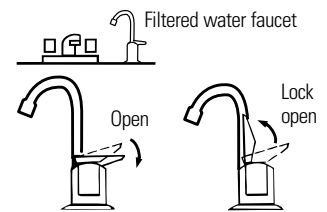
- 1 How much water you use.
- 2 How much sediment, taste and/or odor, lead, or other unwanted substance is in the water.

No matter which Water Filtration system you have, you should replace the cartridges every six months, when indicated by the electronic indicator light on the base. In extremely poor water supplies, you may notice the return of the unwanted substance in your water before the six months are up. In this case the cartridges should be replaced immediately. If the system is also for lead or chemical contaminant removal, it is **MORE IMPORTANT** to replace the cartridges at least every six months.

NOTE: If the water supply contains high amounts of sediments, the carbon filters may plug prematurely, reducing filtered water flow to the system faucet. *Cartridge replacement is needed to restore flow.*

Electronic Indicator Light (not available on all models) – The electronic indicator light on the base of the faucet is a six-month timer that shows you when to replace the filter cartridges. When the battery pack is first installed, the indicator light will light briefly to show that the electronics are operating. If this does not happen, the batteries may be installed backwards or the lead wires are not connected.

After about six months, the indicator light begins to flash. It is time to replace the filter cartridges. When replacing the filter cartridges, also replace the batteries in the battery pack. Two AA batteries are required.



Installation Instructions.

Important Installation Recommendations

Read entire manual. Failure to follow all guides and rules could cause personal injury or property damage.

- **Check with your local public works department for plumbing codes. You must follow their guides as you install the Water Filtration system.**
- **Use the Water Filtration system on a potable, safe-to-drink, home COLD water supply only. The filter cartridges will not purify water or make unsafe water safe to drink. DO NOT use on HOT water (100° F max.).**
- **Protect the Water Filtration system and piping from freezing. Water freezing in the system will damage it.**
- **Your Water Filtration system will withstand up to 125 psi water pressure. If your house water supply pressure is higher than 100 psi during the day (it may reach higher levels at night), install a pressure-reducing valve before the system.**

⚠ WARNING: Do not use with water that is microbiologically unsafe or of unknown quality without adequate disinfection before or after the system. These systems are certified for cyst reduction and may be used on disinfected water that may contain filterable cysts. The water should be tested periodically to verify that the system is performing satisfactorily. Small parts remaining after the installation could be a choke hazard. Discard safely.

Tools and Materials Required for Installation

- Slotted and Phillips screwdrivers
- Pliers and adjustable jaw wrench
- Hand- or battery-powered drill and 1/4" bit (saddle valve installation)
- Electric drill and drill bit to drill 1" – 1 1/4" hole (type as required) if mounting hole is needed for faucet

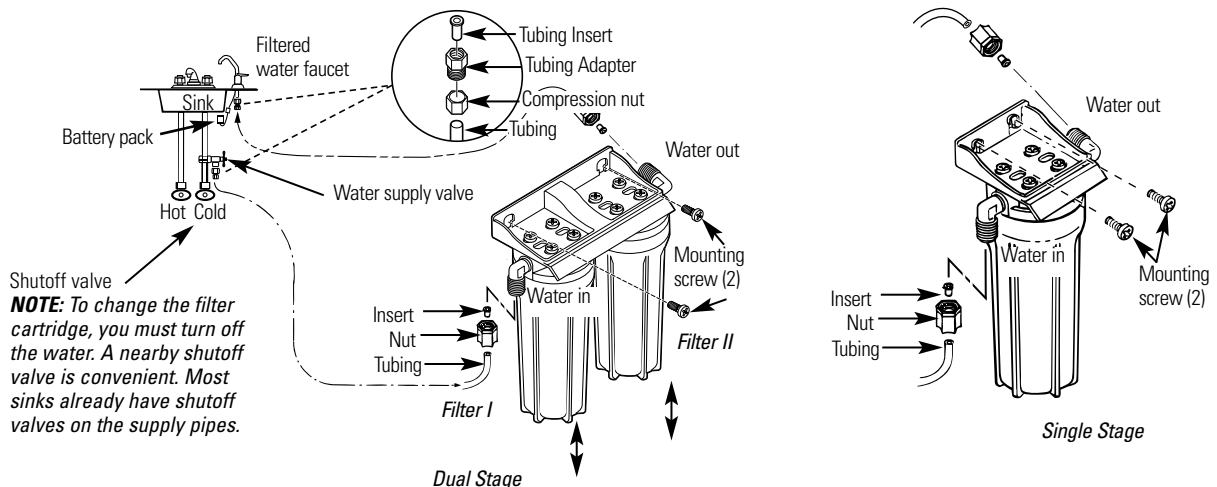
⚠ CAUTION: To avoid damaging the sink, consult a qualified plumber or installer for drilling procedures. Special drill bits may be needed for porcelain or stainless steel.

Contents included with the product:

- Water filter assembly, including mounting bracket and screws
- Product Literature (Owner's Manual and Installation Instructions, Product Data Sheet, Owner Product Registration Card)
- Water supply/saddle valve
- Filtered water faucet for sink or countertop mounting
- Electronic indicator faucet base and battery pack (not available on all models)
- 3/8" tubing and fittings to make all needed connections
- Sump wrench

Installation Overview

Locate the drinking water system on the cold water supply pipe, under the kitchen and/or bathroom sink, to filter the cold drinking water.



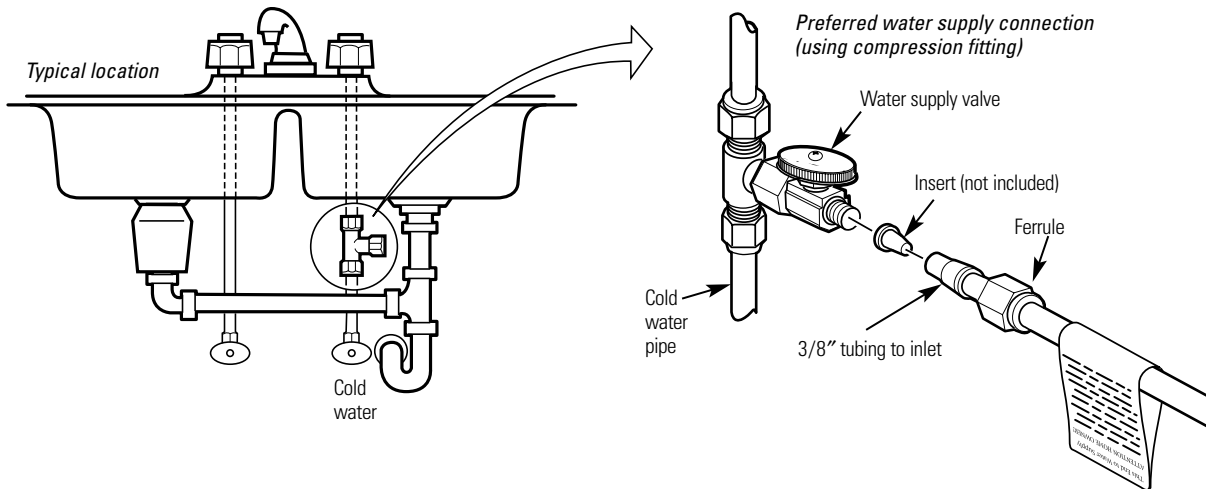
Installation Instructions.

Feed Water Supply

Check and comply with local plumbing codes as you plan; then install a cold feed water supply fitting. For new home installation using standard plumbing fittings, see first two illustrations below. A typical installation for existing homes using the saddle valve is shown in third illustration below.

A. PREFERRED INSTALLATION

- 1 Turn off the cold water supply.
- 2 Complying with plumbing codes, install a fitting on the cold water pipe to adapt 3/8" OD tubing. A typical connection is shown in illustrations at right (parts not included). Make sure a water supply valve is used.



B. OPTIONAL HOME INSTALLATION Where codes permit

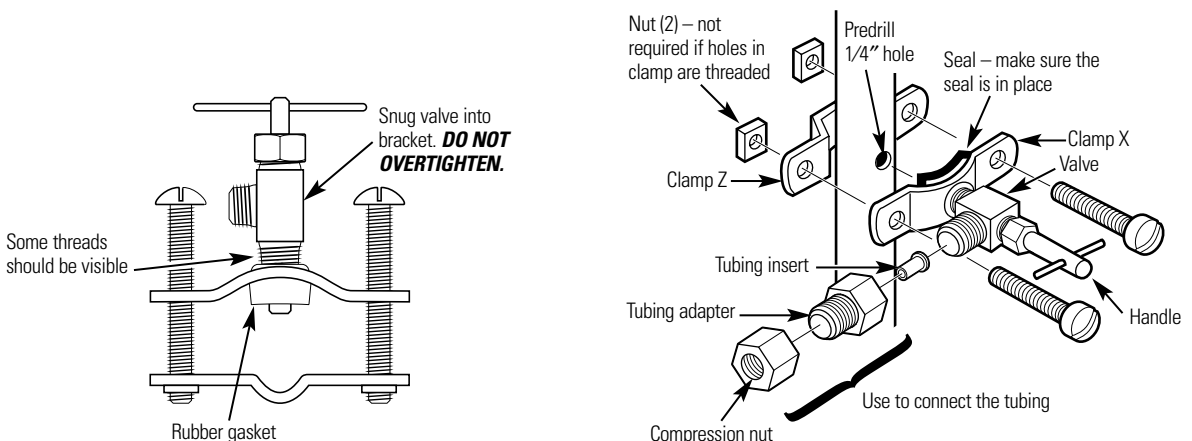
***For 1/2" OD or larger metal tubing only.**

NOTE: Codes in the state of Massachusetts require installation by a licensed plumber and do not permit the use of the saddle valve. For installation, use plumbing code 248-CMR of the Commonwealth of Massachusetts.

- 1 Turn off the cold water supply and attach saddle valve as shown in illustration at right.
 - ⚠ DANGER: To protect yourself from serious injury or fatal shock, use a battery-powered hand drill only to make the hole. DO NOT USE AN ELECTRIC DRILL.**
- 2 Close the water supply valve by turning the handle clockwise.
- 3 Open the main water supply valve and several house faucets to purge air from the system. Close faucets when water runs smoothly.

Optional water supply connection (using saddle valve)*

***For 1/2" OD or larger metal tubing only.**



Step-by-step installation instructions.

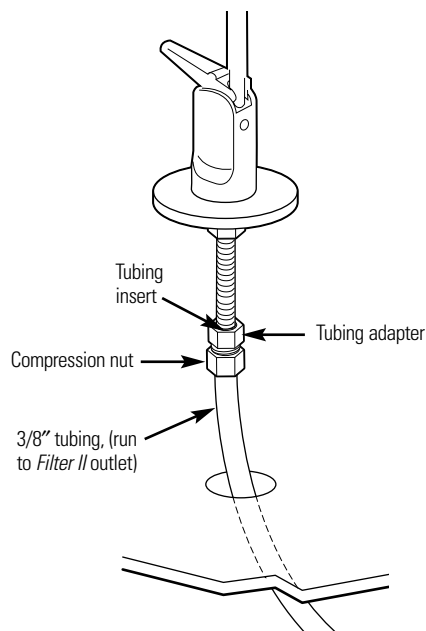
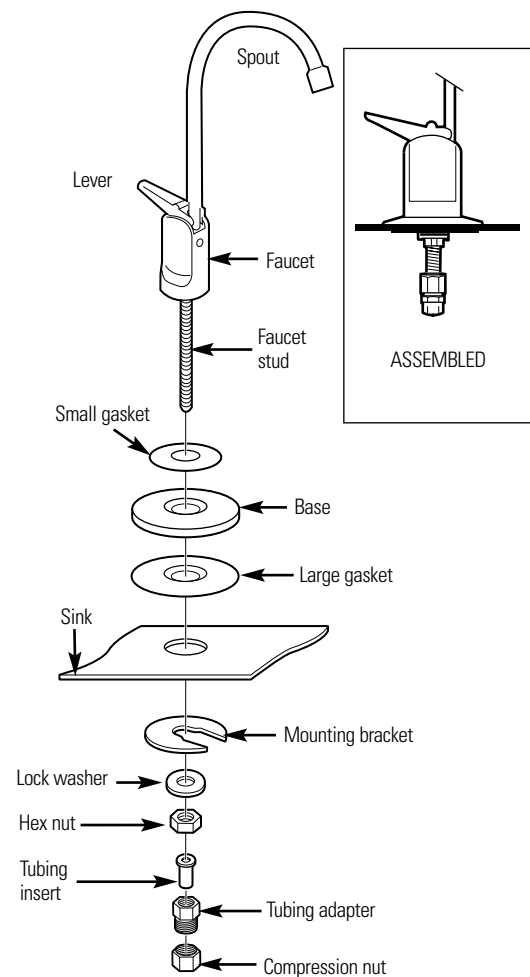
Faucet Installation for Model GN1S15CBL (rev. 2) only

Be sure there is room underneath the sink to make the needed connections. Select one of the following places to install the faucet:

- IN an existing sink spray attachment or soap dispenser hole.
- IN a hole to be drilled in the sink top.
- IN a hole to be drilled in the countertop, next to the sink.

NOTE: Looking at second illustration at right, be sure the faucet base will fit flat against the surface at the selected location so the gasket will seal.

- 1 If drilling is needed, make a 3/4" to 1" dia. hole. **Be sure to use the proper procedure for drilling porcelain or stainless steel. Special drill bits may be needed.**
- 2 Place small gasket, base and large gasket (in that order) onto the faucet stem. Next, place lock washer and hex nut onto faucet stud.
- 3 Insert washer into tubing adapter. Securely tighten to faucet stud.
- 4 Feed the length of 3/8" OD tube from the bottom up through the mounting hole. Connect to the tubing adapter as shown in second illustration, tightening the compression nut securely.
- 5 Remove the short shipping tube and insert the spout into the faucet body. Rotate spout into place.
- 6 Lower the faucet assembly into place on the underside of the mounting hole. Place the mounting bracket above the lock washer. While holding the mounting bracket in place, securely tighten the hex nut.



Step-by-step installation instructions.

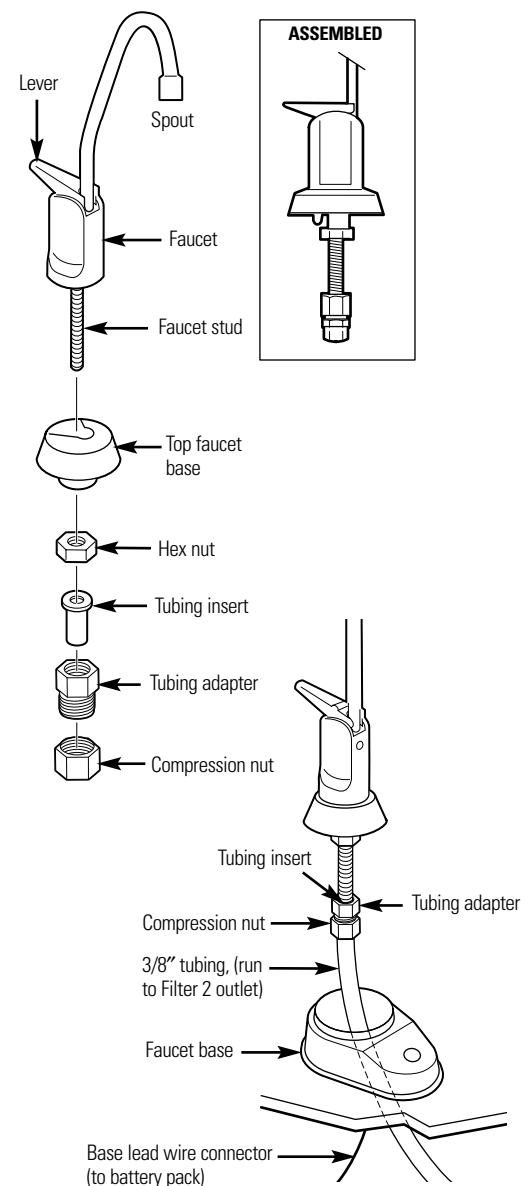
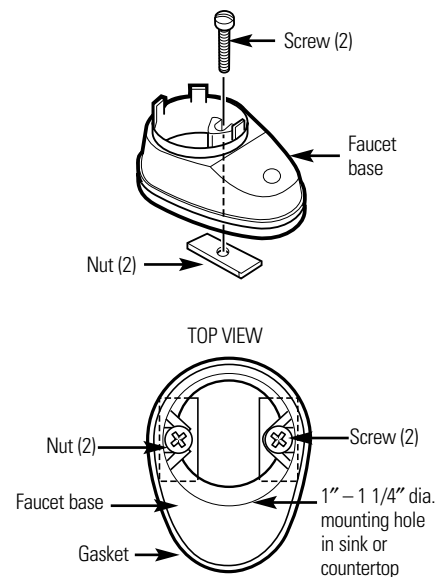
Electronic Faucet Installation (not available on all models)

Be sure there is room underneath the sink to make the needed connections. Select one of the following places to install the faucet:

- IN an existing sink spray attachment or soap dispenser hole.
- IN a hole to be drilled in the sink top.
- IN a hole to be drilled in the countertop, next to the sink.

NOTE: Looking at fourth illustration at right, be sure the faucet base will fit flat against the surface at the selected location so the gasket will seal. The base may have to be angled sideways or diagonally.

- 1 If drilling is needed, make a 1" – 1 1/4" dia. hole. **Be sure to use the proper procedure for drilling porcelain or stainless steel. Special drill bits may be needed.**
- 2 Looking at first illustration, insert a screw into the NON-SLOTTED base mounting hole. Turn a flat nut a few turns onto the screw.
- 3 Position the base gasket over the mounting hole. Set the base on the gasket, routing the leadwire through the mounting hole. Holding the flat nut under the sink with one finger, tighten the screw until just snug.
- 4 Turn the remaining flat nut a few turns onto the other screw. Position the screw in the slotted base mounting hole and tighten until snug. Make sure the gasket position is properly aligned and **carefully tighten** both screws until the base is held firmly in place. **Do not overtighten** and break the base.
- 5 Assemble the top faucet base and hex nut onto the faucet stud (third illustration). Tighten the nut until snug.
- 6 Insert tubing insert into tubing adapter. Securely tighten to faucet stud.
- 7 Feed the length of 3/8" OD tubing from the bottom up through the faucet base. Connect to the tubing adapter as shown in fourth illustration, tightening the compression nut securely.
- 8 Remove the short shipping tube and screw the spout into the faucet body.
- 9 Lower the faucet assembly and lock into place on the faucet base.

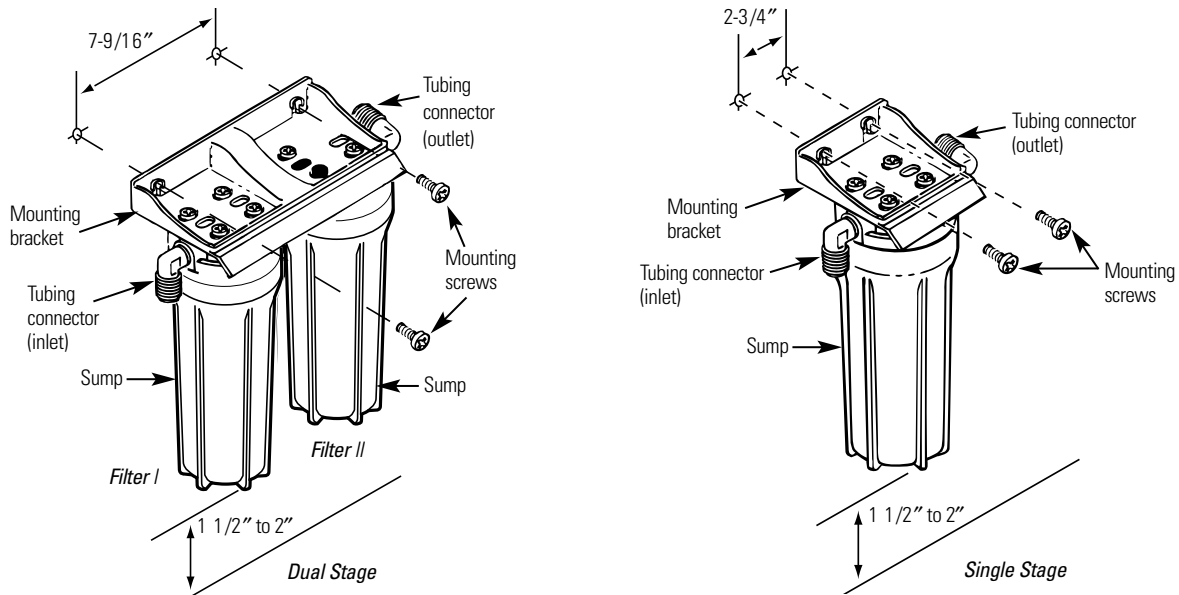


Battery Pack Installation and Connection

- 1 In a dry location, within reach of the electronic base 3' lead wire, select a place for the battery pack (see illustration on page 5). The battery pack attaches to most surfaces, using the included "sticky-back" Velcro™ strip.
- 2 The battery pack uses two size AA batteries. Check to be sure they are installed correctly. Then, remove the paper backing on the Velcro™ strip and secure the pack in place.
- 3 Fasten electronic base lead wire and battery pack connector together.

Mounting Bracket to Cabinet Wall

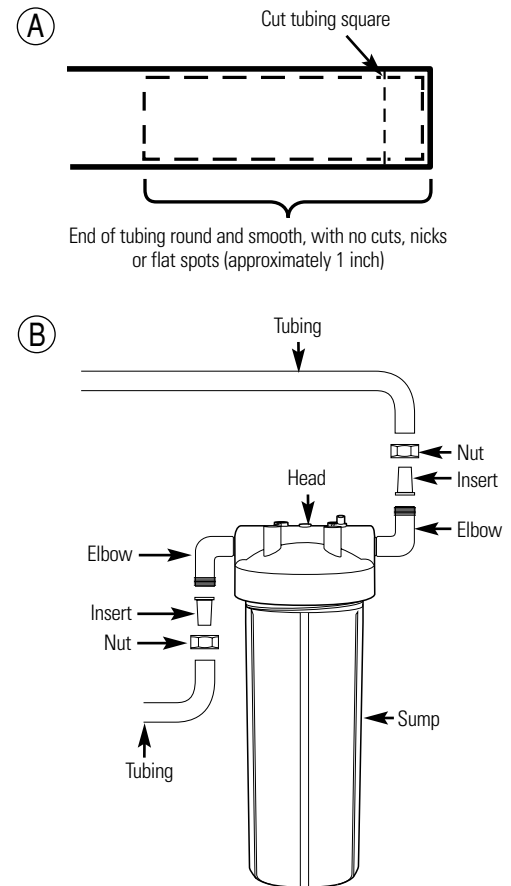
The bracket can be used as a template for marking the location of the mounting screws. When determining the location of the bracket, make sure you leave 1 1/2" to 2" of free area under the sumps to allow for sump removal and enough space on either side to make the tubing connections.



Tubing Connections – Compression Style

- 1 Run the length of the 3/8" tubing, connected to the bottom of the faucet, to the filter system outlet (illustration above). Allow enough slack in the tubing so that the unit can be easily removed.
- 2 Measure and cut the end of the tubing square using a sharp cutter or knife. Remove any burrs (illustration A).
- 3 Inspect the end of the tubing, about 1 inch, to be sure there are no imperfections. It may be necessary to cut the tubing again.
- 4 Slide plastic nut over the 3/8" tubing.
- 5 Then slide plastic insert into 3/8" tubing.
- 6 **Insert the plastic tubing all the way to the bottom of the elbow. Tubing must be fully inserted to avoid leaks.**
- 7 Slide nut up to the elbow and thread on by hand until tight.
- 8 Repeat the procedure to connect the tubing between the filter system inlet and the water supply/saddle valve (illustration in the *Installation Overview* section).
- 9 **IMPORTANT:** Be sure to check for leaks at all connections. Tighten as needed.
- 10 **IMPORTANT:** 24 hours after installation, check for any slow leaks that may occur. Tighten connections as needed.
- 11 **IMPORTANT:** If unit is not going to be put into use immediately, turn off the water supply valve.

NOTE: Avoid installing the unit where the tubing is pulled at a sharp angle. This type of installation may cause the fittings to leak. If using tubing other than what is supplied, be sure it is high quality, exact size and roundness, and has a smooth surface.



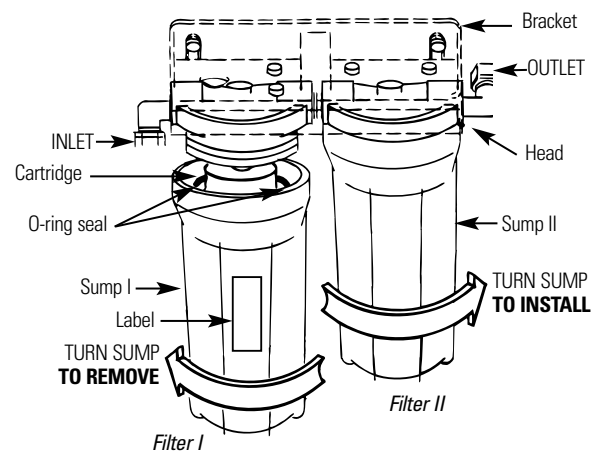
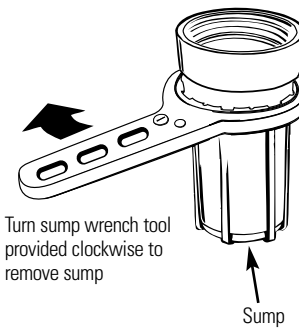
About the water filtration system.

Filter Cartridge Installation or Replacement

CAUTION: Never remove the sumps when water pressure is in the Water Filtration system.

- 1 **Close the water supply/saddle valve to the filter.** (See illustration in the *Installation Overview* section for location of the water supply valve.) Open the filtered water faucet.
- 2 Remove the sump, using the sump wrench tool provided, from the filter head by rotating the sump as shown in the below illustration. Be careful, the sump may be full of water. Be sure to keep the large o-ring seal.
- 3 If you are replacing a filter cartridge, remove and discard the used filter cartridge.
- 4 Be sure the inside of the sump is clean. Thoroughly wash the inside of the sump with hot, soapy water and rinse.
- 5 Remove the wrapper from the new filter cartridge and insert the filter cartridge in the sump. Some cartridges fit either way, while others fit only one way. Observe markings on the cartridge.

NOTE: The Water Filtration system may use two different types of filter cartridges. Be sure to install them correctly. *Filter I* cartridge should always be placed in the *Filter I* sump. *Filter II* cartridge should always be placed in the *Filter II* sump. See page 3 for a complete list of filter performance characteristics.



For Model GN1S15CBL (rev. 2)

FXULC (rev. 2) Filter (600-Gallon Capacity)

Filter – White with yellow end caps

For Model GNSL05CBL (rev. 2)

FXSLC (rev. 2) Filter Set (600-Gallon Capacity)

Filter I – White with no end caps

Filter II – White with yellow end caps

For Models GNSV25CBL, GNSV30CWW & GNSV30CCC

FXSVC (rev. 2) Filter Set (600-Gallon Capacity)

Filter I – White with green end caps

Filter II – Gray

-
- 6 Lightly lubricate the o-ring seal in the sump with clean food-grade silicone grease (silicone grease is available through GE Parts and Services: 1-800-626-2002, Part Number: WS60X10005). Be sure it is fully seated in its groove.
 - 7 Hold the sump up to the filter head, aligning the center hole in the cartridge with the protrusion on the bottom of the head. Failure to obtain proper alignment may cause damage to the filter and/or filtration system, which will degrade filter performance.
 - 8 Being careful not to cross-thread, rotate the sump onto the filter head and tighten securely by hand.
NOTE: If the sump will not tighten up to the head or if you feel resistance, you may have the cartridge in upside down or misaligned. Take the cartridge out and check for correct orientation or alignment and reassemble.
 - 9 **Repeat steps 2 through 8 for the Filter II cartridge in the Filter II sump, if necessary.**
 - 10 Turn on the filtered water faucet. Then, slowly open the water supply/saddle valve and allow the filter housing to fill.
 - 11 Close the filtered water faucet. Then, check for leaks between the sump and the head.
NOTE: If leaking, turn off the water supply and turn on the filtered water faucet. Disassemble the filter housing and check the o-ring for cuts, flat spots, etc., and sealing surfaces for foreign material. Clean the o-ring and lightly lubricate with clean silicone grease. Carefully press into the groove in the sump. Reassemble and check for leaks.
 - 12 If you are replacing the batteries, remove, properly discard and install two new AA alkaline batteries in the battery pack. Removing the batteries or momentarily disconnecting the lead wires resets the six-month electronic timer. It is recommended that you change your batteries at least once a year.
 - 13 The filter cartridges contain activated carbon. When new, turn on the filtered water faucet for ten minutes to flush the system.
 - 14 If your system does not have an electronic monitor, place filter change label on sump, inside cabinet door, or in another convenient location. Write in date of filter change for future reference. Filters should be changed every six months.
-

Flush Procedure

Whenever water of unknown quality is passed through the GE Water Filtration system, filter elements should be discarded and the filtration system flushed.

Circumstances that may require flushing the system are:

- Boil-water advisory.
- Flooding of the GE Water Filtration system.
- Long-term non-use.

The procedure for flushing the GE Water Filtration system is:

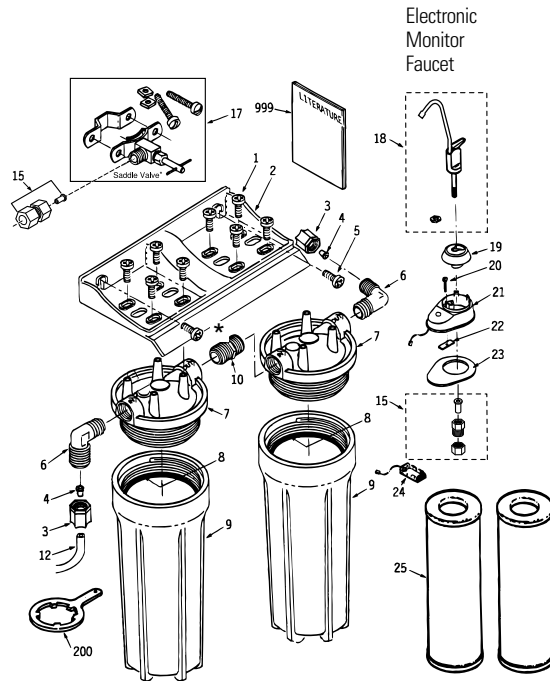
- 1 See *Filter Cartridge Replacement* section and follow steps 1, 2, 3 and 4.
- 2 Next, reinstall the sumps (without the filter elements), turn water on and flush water through the faucet for one minute.
- 3 Then, turn water off, remove sumps, empty water out of sumps and install new filter elements.
- 4 Follow steps 5–11 in the *Filter Cartridge Replacement* section to complete.

Before you call for service...



Troubleshooting Tips
 Save time and money! Review the chart below first and you may not need to call for service.

Problem	Possible Causes	What To Do
Water contains tiny black particles	New filter cartridges contain activated carbon, which is a harmless black powder.	<ul style="list-style-type: none"> • Turn on the filtered water faucet and allow these harmless carbon particles to purge from the cartridge. Turn off the faucet when the water is clear.
Water has air bubbles and is cloudy	Air in system after installation.	<ul style="list-style-type: none"> • Will go away after water runs for a while.
Indicator light on the faucet base is flashing (not available on all models)	Six months usage has occurred. This is the maximum life of the filter cartridges.	<ul style="list-style-type: none"> • Replace both filter cartridges and batteries in the battery pack.
Indicator light on the faucet base is not working (not available on all models)	The faucet base lead wire is not connected to the battery pack lead wire.	<ul style="list-style-type: none"> • Connect.
	Batteries may need to be replaced or they may have been installed incorrectly.	<ul style="list-style-type: none"> • Observe orientation markings on the holder and install correctly. Replace batteries if they are old.
	Lead wires damaged.	<ul style="list-style-type: none"> • Inspect and repair as needed.
Chlorine taste and/or odor in the product water	The filter cartridges are no longer removing chlorine from the water supply.	<ul style="list-style-type: none"> • Replace both filter cartridges.
Water dispenses very slowly	Filter may have an integral flow restrictor.	<ul style="list-style-type: none"> • A slower flow (approx. 0.6 g/min.) is normal with this style of filter. If flow rate is unacceptable, replace the filters with ones that do not have integral flow restrictors (Filter Number FXUTC).
	The filters have been installed for too long.	<ul style="list-style-type: none"> • A six-month change-out period is recommended. Replace both filter cartridges.
	The filter cartridges have become clogged.	<ul style="list-style-type: none"> • High sediment levels can cause premature clogging. Replace both filter cartridges.
Fittings are leaking	Tubing may not be installed properly.	<ul style="list-style-type: none"> • Fully follow the installation instructions (page 9) and be sure the tubing is installed to the proper depth.



***NOTE: Codes in the state of Massachusetts require installation by a licensed plumber and do not permit the use of the saddle valve. For installation, use plumbing code 248-CMR of the Commonwealth of Massachusetts.**

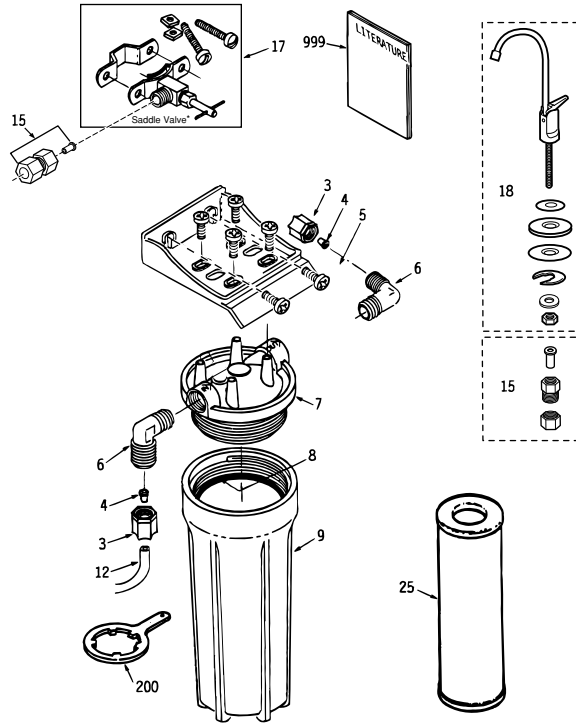
To obtain replacement parts, call toll-free 800.626.2002 (U.S.), 800.663.6060 (Canada-English), 800.361.3869 (Canada-French)

General Electric parts catalog.

REF. NO.	PART NO.	PART DESCRIPTION
0001	WS02X10001	SCREW, #10-14 X 3/4"
0002	WS28X10010	MOUNTING BRACKET
0003	WS22X10008	NUT, 3/8" TUBE
0004	WS22X10007	INSERT, 3/8" TUBE
0005	WS02X10003	SCREW, #10-14 X 1-1/4"
0006	WS22X10002	ELBOW, 3/8" NPT X 3/8" (compression)
0007	WS19X10011	HEAD
0008	WS03X10001	O-RING, 3-3/8" X 3-5/8"
0009	WS30X10002	SUMP
0010	WS22X10003	NIPPLE, 3/8" NPT X 1-1/2"
0012	WS07X10008	TUBING, 3/8" X 20 FT-WH
0015	WS03X10044	TUBING ADAPTER ASM.
0017	WS15X10008	SADDLE VALVE /SUPPLY
0018	WS15X10002	FAUCET ASM. (monitored) (BLACK ON CHROME)
	WS10X10020	FAUCET ASM. (monitored) (WHITE ON WHITE)
	WS10X10026	FAUCET ASM. (monitored) (BISQUE)
0019	WS10X10008	TOP FAUCET BASE (BLACK)
	WS10X10010	TOP FAUCET BASE (WHITE)
	WS10X10022	TOP FAUCET BASE (BISQUE)
0020	WS02X10007	SCREW, #6-32 X 1-3/8"
0021	WS10X10002	BASE FAUCET KIT (BLACK)
	WS10X10221	BASE FAUCET KIT (WHITE)
	WS10X10027	BASE FAUCET KIT (BISQUE)
0022	WS02X10008	NUT
0023	WS08X10003	GASKET FAUCET
0024	WS06X10001	HOLDER BATTERY
0025	FXSLC (rev. 2)	FILTER SET - LEAD/CYST
	FXSVC (rev. 2)	FILTER SET - VOC
0200	WX5X140	WRENCH SUMP
0999	49-50057	PM MANUAL USE & CARE/ INSTALLATION

G			
N			
S			
L			
0	G	G	G
5	N	N	N
C	S	S	S
B	V	V	V
L	2	3	3
R	5	0	0
E	C	C	C
V	B	W	C
2	L	W	C
8	8	8	8
1	1	1	1
2	2	2	2
2	2	2	2
2	2	2	2
2	2	2	2
2	2	2	2
2	2	2	2
1	1	1	1
1	1	1	1
2	2	2	2
1	1	-	-
-	-	1	-
-	-	-	1
1	1	-	-
-	-	1	-
-	-	-	1
2	2	2	2
1	1	-	-
-	-	1	-
-	-	-	1
2	2	2	2
1	1	1	1
1	1	1	1
1	-	-	-
-	1	1	1
1	1	1	1
1	1	1	1
1	1	1	1

Parts List.



***NOTE: Codes in the state of Massachusetts require installation by a licensed plumber and do not permit the use of the saddle valve. For installation, use plumbing code 248-CMR of the Commonwealth of Massachusetts.**

To obtain replacement parts, call toll-free 800.626.2002 (U.S.), 800.663.6060 (Canada-English), 800.361.3869 (Canada-French)

General Electric parts catalog.

REF. NO.	PART NO.	PART DESCRIPTION	
0001	WS02X10001	SCREW, #10-14 X 3/4"	4
0002	WS28X10010	MOUNTING BRACKET	1
0003	WS22X10008	NUT, 3/8" TUBE	2
0004	WS22X10007	INSERT, 3/8" TUBE	2
0005	WS02X10003	SCREW, #10-14 X 1-1/4"	2
0006	WS22X10002	ELBOW, 3/8" NPT X 3/8" (compression)	2
0007	WS19X10011	HEAD	1
0008	WS03X10001	O-RING, 3-3/8" X 3-5/8"	1
0009	WS30X10002	SUMP	1
0012	WS07X10008	TUBING, 3/8" X 20 FT - WH	1
0015	WS03X10044	TUBING ADAPTER ASM.	2
0017	WS15X10008	SADDLE VALVE/SUPPLY	1
0018	WS15X10022	FAUCET ASM. (nonmonitored) (BLACK ON CHROME)	1
0025	FXULC (rev. 2)	FILTER - LEAD/CYST	1
0200	WX5X140	WRENCH SUMP	1
0999	49-50057	PM MANUAL USE & CARE/ INSTALLATION	1

G
N
I
S
I
5
C
B
L
R
E
V
2

GE Water Filtration System Warranty.



All warranty service provided by our SmartWater™ Authorized Servicer Network. To schedule service, on-line, 24 hours a day, visit us at www.GEAppliances.com, or call 800.GE.CARES (800.432.2737) (U.S.), or 866.777.7627 (Canada).

Staple your receipt here.
Proof of the original purchase date is needed to obtain service under the warranty.

For The Period Of: **GE Will Replace:**

One Year

From the date of the original purchase

Any part of the Water Filtration System (excluding filters) which fails due to a defect in materials or workmanship. During this **full one-year warranty**, GE will also provide, **free of charge**, all labor and in-home service to replace the defective part. All warranty service will be provided by a GE SmartWater™ Authorized Servicer.

What GE Will Not Cover:

- Service trips to your home to teach you how to use the product.
- Improper installation.
- Failure of the product if it is abused, misused, or used for other than the intended purpose .
- Defects that result from improper installation or damage not caused by GE.
- Liability on the part of GE under this or any other warranty for any indirect or consequential damage.
- Products that are used for commercial or industrial applications.
- Use of this product where water is microbiologically unsafe or of unknown quality, without adequate disinfection before or after the system. Systems certified for cyst reduction may be used on disinfected water that may contain filterable cysts.
- Filter cartridges.
- Replacement of house fuses or resetting of circuit breakers.
- Damage to the product caused by accident, fire, floods or acts of God.
- Incidental or consequential damage caused by possible defects with this appliance.

This warranty is extended to the original purchaser and any succeeding owner for products purchased for home use within the USA. In Alaska, the warranty excludes the cost of shipping or service calls to your home.

Some states do not allow the exclusion or limitation of incidental or consequential damages. This warranty gives you specific legal rights, and you may also have other rights which vary from state to state. To know what your legal rights are, consult your local or state consumer affairs office or your state's Attorney General. THIS WARRANTY IS INTENDED TO BE IN LIEU OF ALL OTHER WARRANTIES, WHETHER EXPRESS OR IMPLIED, INCLUDING THE WARRANTIES OF MERCHANTABILITY AND FITNESS FOR A PARTICULAR PURPOSE.

Warrantor: General Electric Company. Louisville, KY 40225

Consumer Support.



GE Appliances Website

www.GEAppliances.com

Have a question or need assistance with your appliance? Try the GE Appliances Website 24 hours a day, any day of the year! For greater convenience and faster service, you can now download Owner's Manuals, order parts, catalogs, or even schedule service on-line. You can also "Ask Our Team of Experts™" your questions, and so much more...



Schedule Service

www.GEAppliances.com

Expert GE repair service is only one step away from your door. Get on-line and schedule your service at your convenience 24 hours any day of the year! Or call 800.GE.CARES (800.432.2737) (U.S.) or 866.777.7627 (Canada) during normal business hours.



Real Life Design Studio

www.GEAppliances.com

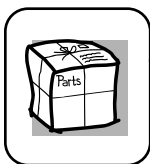
GE supports the Universal Design concept—products, services and environments that can be used by people of all ages, sizes and capabilities. We recognize the need to design for a wide range of physical and mental abilities and impairments. For details of GE's Universal Design applications, including kitchen design ideas for people with disabilities, check out our Website today. For the hearing impaired, please call 800.TDD.GEAC (800.833.4322).



Extended Warranties

www.GEAppliances.com

Purchase a GE extended warranty and learn about special discounts that are available while your warranty is still in effect. You can purchase it on-line anytime, or call 800.626.2224 during normal business hours. GE Consumer Home Services will still be there after your warranty expires.

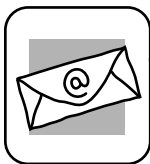


Parts and Accessories

www.GEAppliances.com

Individuals qualified to service their own appliances can have parts or accessories sent directly to their homes (VISA, MasterCard and Discover cards are accepted). Order on-line today, 24 hours every day or by phone at 800.626.2002 (U.S.), 800.663.6060 (Canada-English) or 800.361.3869 (Canada-French) during normal business hours.

Instructions contained in this manual cover procedures to be performed by any user. Other servicing generally should be referred to qualified service personnel. Caution must be exercised, since improper servicing may cause unsafe operation.



Contact Us

www.GEAppliances.com

If you are not satisfied with the service you receive from GE, contact us on our Website with all the details including your phone number, or write to: General Manager, Customer Relations
GE Appliances, Appliance Park
Louisville, KY 40225



Register Your Appliance

www.GEAppliances.com

Register your new appliance on-line—at your convenience! Timely product registration will allow for enhanced communication and prompt service under the terms of your warranty, should the need arise. You may also mail in the preprinted registration card included in the packing material.

Free Manuals Download Website

<http://myh66.com>

<http://usermanuals.us>

<http://www.somanuals.com>

<http://www.4manuals.cc>

<http://www.manual-lib.com>

<http://www.404manual.com>

<http://www.luxmanual.com>

<http://aubethermostatmanual.com>

Golf course search by state

<http://golfingnear.com>

Email search by domain

<http://emailbydomain.com>

Auto manuals search

<http://auto.somanuals.com>

TV manuals search

<http://tv.somanuals.com>