



GE SmartWater™

Hot & Cold Water Dispenser

Safety Instructions2, 3

Using the Water Dispenser

Child Safeguard4

Features and Parts List4

Loading the Dispenser4

Specifications7

Care and Cleaning5-7

Troubleshooting Tips7

Consumer Support

Consumer SupportBack Cover

WarrantyBack Cover

Français

Informations en matière

de sécurité8, 9

Utilisation du distributeur d'eau

Caractéristiques et liste de pièces ...10

Caractéristiques techniques13

Chargement du distributeur10

Sauvegarde pour la protection
des enfants10

Entretien et nettoyage11-13

Conseils de dépannage13

Soutien du consommateur

Garantie15

Soutien du consommateur14

Español

Información de seguridad16, 17

*Como utilizar el dispensador
de agua*

Cómo cargar el dispensador18

Especificaciones21

Seguro contra niños19

Lista de partes y características18

Cuidado y limpieza19-21

Solucionar problemas22

Servicio al consumidor

Garantía23

Servicio al consumidor23

Owner's Manual

GXCF05D

GXCC01D

GE SmartWater™

Distributeur d'eau chaude ou froide

Manuel d'utilisation

La section française commence à la page 7

GE SmartWater™

Dispensador de agua caliente & fría

Manual del propietario

La sección en español empieza en la página 13



As an ENERGY STAR® partner, GE has determined that this product meets the ENERGY STAR® guidelines for energy efficiency.

IMPORTANT SAFETY INFORMATION. READ ALL INSTRUCTIONS BEFORE USING.

⚠ WARNING!

Use this appliance only for its intended purpose as described in this Owner's Manual.



SAFETY PRECAUTIONS

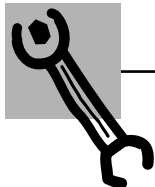
When using electrical appliances, basic safety precautions should be followed, including the following:

- This water dispenser must be properly installed and located in accordance with these instructions before it is used.
 - Do not allow children to climb, stand or hang on the outside of the dispenser, or on the shelves inside the storage cabinet (on some models). They could tip the dispenser over and damage it and seriously injure themselves.
 - Do not store or use gasoline or other flammable vapors and liquids in the vicinity of this or any other appliance.
 - Unplug the water dispenser before cleaning or making repairs.
- NOTE:** GE does not support any servicing of the dispenser. We strongly recommend that you do not attempt to service the dispenser yourself.
- Do not use this dispenser to dispense anything other than water.
 - Do not plug in the power cord or turn on the power switches when the water dispenser is empty.
 - Wipe up any water spills immediately after loading or unloading water bottles.

■ **WARNING:** Do not use with water that is microbiologically unsafe or of unknown quality.

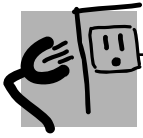
CAUTION:

- **The dispenser heats water to a temperature of approximately 190°F (88°C). Water temperatures above 125°F (52°C) can cause severe burns or death from scalding. Children, the disabled and the elderly are at highest risk of being scalded.**
- **Children should be supervised by a parent when using this product.**



PROPER INSTALLATION AND LOCATION

- Allow at least 1" (2.5 cm) of space between the back of the water dispenser and the wall to allow for proper air circulation.
- Do not install the water dispenser where the temperature will go below 50°F (10°C) or above 100°F (38°C).
- Install the water dispenser on a level floor or counter strong enough to support it when fully loaded. Do not install where it will be subject to direct sunlight, heat or moisture.



GROUNDING INSTRUCTIONS

WARNING—Improper use of the grounding plug can result in a risk of electric shock.

This appliance must be grounded. In the event of an electrical short circuit, grounding reduces the risk of electric shock.

This appliance is equipped with a power cord having a grounding wire with a grounding plug. The plug must be plugged into an outlet that is properly installed and grounded.

Consult a qualified electrician if the grounding instructions are not completely understood, or if doubt exists as to whether the appliance is properly grounded.

If the outlet is a standard 2-prong wall outlet, it is your personal responsibility and obligation to have it replaced with a properly grounded 3-prong wall outlet.

Do not under any circumstances cut or remove the third (ground) prong from the power cord.

Do not use an adapter plug with this appliance.

Do not use an extension cord with this appliance. If the power cord is too short, have a qualified electrician install an outlet near the appliance.

For best operation, plug the appliance into its own electrical outlet on a dedicated circuit to prevent flickering of lights, blowing of fuse, or tripping of circuit breaker.

▲ DANGER! RISK OF CHILD ENTRAPMENT *PROPER DISPOSAL OF THE WATER DISPENSER*

Child entrapment and suffocation are not problems of the past. Junked or abandoned dispensers with storage areas are still dangerous...even if they will sit for "just a few days." If you are getting rid of your old water dispenser, please follow these instructions to help prevent accidents.

Before You Throw Away Your Old Dispenser:

- Take off the doors and discard separately.
- Leave the shelves in place so that children may not easily climb inside.
- If the dispenser door has a lock, make it unusable.

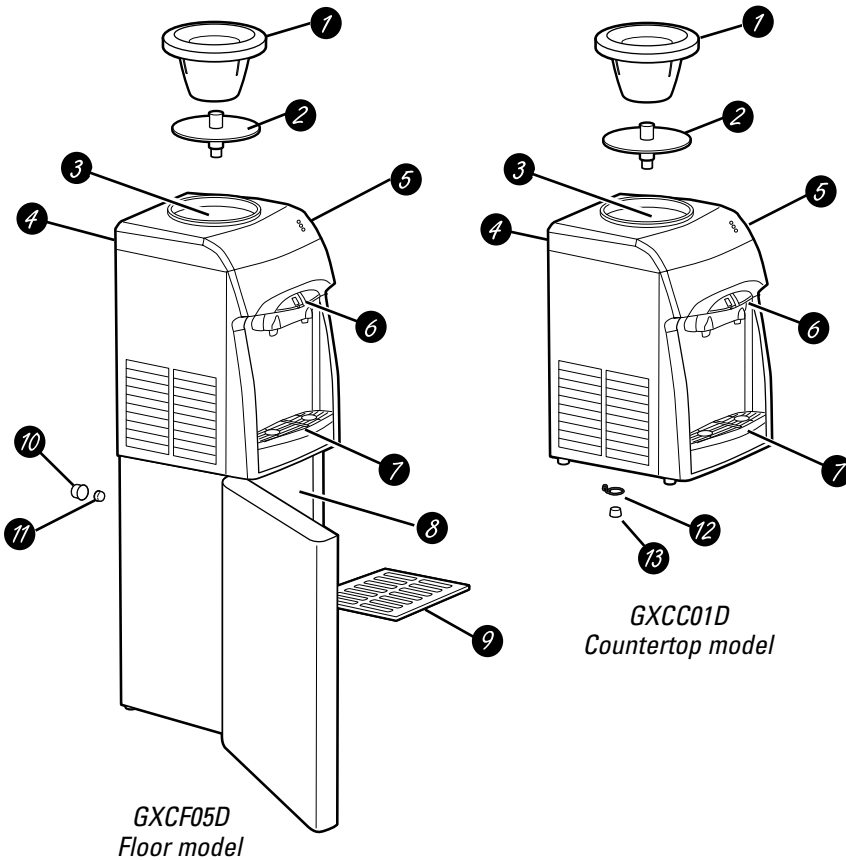
Refrigerant Disposal

Your old water dispenser may have used a regulated refrigerant in its cooling system. These refrigerants are believed to harm stratospheric ozone. If you are throwing away your old dispenser, make sure the refrigerant is removed and recovered for proper disposal by an EPA-certified technician. If you intentionally release this refrigerant, you can be subject to fines and imprisonment under provisions of environmental legislation.



READ AND FOLLOW THIS SAFETY INFORMATION CAREFULLY.
SAVE THESE INSTRUCTIONS

Using the water dispenser.



Features and Parts List

- 1 **Bottle Support Collar (WS28X10012)**
- 2 **Separator (WS28X10013)**
- 3 **Cold Water Tank**
- 4 **Hot (Red) and Cold (Blue) Power Switches (back of dispenser)**
- 5 **Indicator Lights**
The green light will be lit when the dispenser is plugged in. The red and blue lights will cycle on and off while the dispenser heats and cools water.
- 6 **Hot (Red) and Cold (Blue) Water Dispenser Buttons**
- 7 **Dispenser Drip Tray (WS28X10016) and Grille (WS28X10015)**
- 8 **Storage Cabinet**
Do not use to store foods requiring refrigeration. The cabinet is not refrigerated.
- 9 **Shelf (WS28X10014)**
- 10 **Drainage Cap (floor models) (WS01X10008)**
- 11 **Silicon Stopper (floor models) (WS01X10007)**
- 12 **Retaining Clip (countertop models) (WS01X10010)**
- 13 **Rubber Drain Cover (countertop models) (WS01X10011)**

Loading the Dispenser



IMPORTANT: Make sure the dispenser is unplugged with both the hot and cold power switches (on the back of the dispenser) set to the **0 (off)** position. Before placing the water bottle on the dispenser, wash hands and wipe the top of the bottle with a clean cloth. Avoid touching the part of the bottle that will be in contact with the water dispenser.

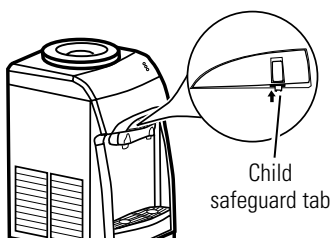
Make sure the water level in the top of the dispenser is low enough to allow for proper bottle installation. Failure to do so may cause the dispenser to overflow.

Sanitize the dispenser water tanks prior to installing a full bottle of water for the first time (see "Cleaning and Sanitizing the Water Tanks").

1. If the water bottle has a cap, push the center plug out of the cap and into the bottle before placing on the dispenser.
2. Place the bottle on top of the dispenser as shown and into the bottle support collar. Install the bottle quickly to minimize spills.
3. **IMPORTANT: Press the hot and cold dispenser buttons until water runs from both taps.**
4. Plug in the dispenser.
5. Set the HOT and COLD power switches (located on the top left rear of the dispenser) to the **I (on)** position.
6. Allow 30 minutes for water to reach hot and cold temperatures.

Contact a local water bottle distributor to purchase water bottles.

Child Safeguard



The HOT dispenser button is equipped with a child safeguard that reduces the risk of hot water being dispensed accidentally or by small children. To use the button, slide the tab up and press the button in.

The dispenser heats water to a temperature of approximately 190°F (88°C). Water temperatures above 125°F (52°C) can cause severe burns or death from scalding. Children, the disabled and the elderly are at highest risk of being scalded.

CAUTION: Children should be supervised by a parent when using this product.

Care and cleaning of the dispenser.

Cleaning the Outside and Storage Cabinet (on some models)

IMPORTANT: Set both power switches (on the back of the dispenser) in the **0 (off)** position and unplug the water dispenser before cleaning.

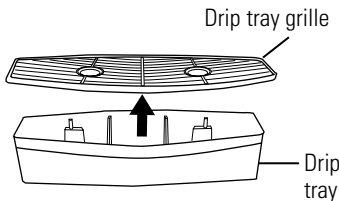
The inside and outside of the cabinet can be washed with mild soap and water. Rinse thoroughly with clear water. Never use commercial cleaners or abrasive scouring powders.

Sweep away or vacuum any dust from the condenser coils on the back of the unit. For best results, use a brush specially designed for this purpose. It is available at most appliance stores.

Cleaning the Drip Tray and Grille

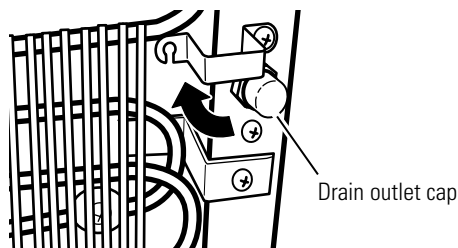
The dispenser drip tray is not self-draining. To reduce water spotting or deposits, the tray and its grille should be emptied, cleaned and wiped dry regularly.

Clean with mild soap or on the top rack in the dishwasher.

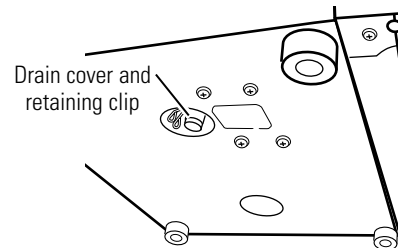


Draining the Dispenser

The dispenser should be drained before cleaning the tanks and before leaving for long vacations or absences.



Floor models
(rear of dispenser)



Countertop models
(bottom of dispenser)

Floor Models

1. Set both power switches (on the back of the dispenser) in the **0 (off)** position and unplug the dispenser.
2. Remove the water bottle from the dispenser.
3. Put a container that will withstand hot water under the hot water tap. **Press the HOT dispenser button until the water is cool (about 1 quart).** Add water to the cold water reservoir (on top where the bottle supplies water) as needed.
4. Dispense water from both buttons into container(s) until no more water can be dispensed (about 1 quart of water still remains in the dispenser).
5. Place a large bucket beneath the drain outlet on the rear of the dispenser.
6. Using a Phillips screwdriver, loosen the screws on the bracket covering the drain outlet cap. Rotate the bracket out of the way to allow access to the cap.
7. Remove the cap and silicon stopper from the drain outlet and allow water to drain. After draining, **replace the stopper and cap.**
8. Rotate the bracket back into place and tighten screws.

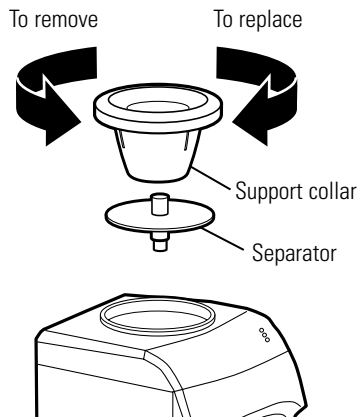
Make sure to install a full bottle and dispense water from the hot water tap before plugging in and turning on the dispenser (see *Loading the Dispenser*).

Countertop Models

1. Set both power switches (on the back of the dispenser) in the **0 (off)** position and unplug the dispenser.
2. Remove the water bottle from the dispenser.
3. Put a container that will withstand hot water under the hot water tap. **Press the HOT dispenser button until the water is cool (about 1 quart).** Add water to the cold water reservoir (on top where the bottle supplies water) as needed.
4. Dispense water from both buttons into container(s) until no more water can be dispensed (about 1 quart of water still remains in the dispenser).
5. Place the dispenser over a sink with 3 feet on the counter. Hold or secure the dispenser steady while removing the retaining clip and drain cover. Remove the retaining clip and drain cover from the drain outlet, making sure not to damage the drain cover. Allow water to drain.
6. After draining, **replace the drain cover and retaining clip.**

Make sure to install a full bottle and dispense water from the hot water tap before plugging in and turning on the dispenser (see *Loading the Dispenser*).

Care and cleaning of the dispenser.



Cleaning the Separator

IMPORTANT: Set both power switches (on the back of the dispenser) in the **0 (off)** position and unplug the water dispenser before cleaning.

1. Remove the water bottle and drain the dispenser (see *Draining the Dispenser*).
2. Remove the support collar by turning **counterclockwise** and pulling straight off.
3. Remove the plastic separator by pulling straight out (you may need to twist slightly to loosen).
4. Clean the separator with dish soap and water or in the top rack of the dishwasher.
5. Dry the separator thoroughly on both sides.
6. Using a clean cloth or paper towel, thoroughly dry the cold water reservoir.
7. Place the separator back in the dispenser. Make sure the long, tapered end of the separator is positioned firmly on the metal plug on the bottom of the reservoir.
8. Replace the support collar and turn **clockwise** until it is firmly in place.
9. Install a full water bottle on the dispenser (see *Loading the Dispenser*).

Sanitizing and Cleaning the Water Tanks

IMPORTANT: Periodically the water dispenser tanks must be sanitized to prevent unpleasant tastes in the water and cleaned to remove mineral deposits that can impair flow.

To Sanitize:

1. Before cleaning, set both power switches (on the back of the dispenser) in the **0 (off)** position and **unplug the water dispenser**. **NOTE:** For first time installation, skip steps 2–4.
2. Empty the water bottle, then remove it from the dispenser.
3. Drain the water tanks (see *Draining the Dispenser*).
4. **Reinstall the silicon stopper and drain cap (on floor models) or the drain cover and retaining clip (on countertop models)** (see *Draining the Dispenser*).



5. **DO NOT ADD BLEACH FIRST OR DIRECTLY TO THE DISPENSER. Concentrated bleach may damage plastic.**

Add 1/2 teaspoon (2.5 ml) of ordinary 6.0% maximum household bleach to a 2 quart (2 liter) pitcher filled with tap water.

6. Pour the solution in the opening at the top of the dispenser.
7. Repeat steps 5 and 6 until the dispenser is full.
8. Press the hot and cold dispenser buttons until the water just begins to flow from the taps.
9. Allow to sit for 15-20 minutes.
10. **Rinse out the bleach solution:**

- Drain the water tanks into a large bucket (floor models) or sink (countertop models) (see *Draining the Dispenser*).
- Make sure that the silicon stopper (floor models) or drain cover (countertop models) is **NOT** installed.

To Remove Mineral Deposits:

Mix 2 quarts (2 liters) of water with two quarts of vinegar **OR** mix 1 gallon of water (4 liters) with 16 ounces (454 g) of citric acid crystals. Bleach does not remove mineral deposits. Do this in place of step 5 when removing mineral deposits.

— **IMPORTANT: Remove the separator and wipe out the cold water reservoir** (see *Cleaning the Separator*).

— Clean, then reinstall the separator and collar (see *Cleaning the Separator*).

— Pour approximately 1 gallon (4 quarts or 4 liters) of fresh tap water into the top and allow to drain into the bucket (floor models) or sink (countertop models).

— Flush with an additional 1 gallon (4 quarts or 4 liters) of fresh tap water and allow to drain into the bucket (floor models) or sink (countertop models).

11. **Reinstall the silicon stopper and drain cap (on floor models) or the drain cover and retaining clip (on countertop models)** (see *Draining the Dispenser*).

12. Install a fresh water bottle (see *Loading the Dispenser*).

13. **Dispense 1 quart (1 liter) of water from each tap** and taste to make sure the bleach solution is completely removed.

If you continue to taste the chlorine from the bleach solution, repeat steps 10–13 until the taste is gone.

14. Plug in the dispenser. Then turn the **HOT** and **COLD** power switches (on the back of the dispenser) to the **I (on)** position.



Preparing for Vacation

For long vacations or absences, set both power switches (on the back of the dispenser) to the **0 (off)** position.

1. Unplug the water dispenser.
2. Remove the water bottle.
3. Drain the water tanks (see *Draining the Dispenser*).

4. Dry the separator thoroughly on both the top and bottom (see *Cleaning the Separator*).

*After returning from vacation, make sure to sanitize the water tanks before using the dispenser (see *Cleaning and Sanitizing the Water Tank*).*

Specifications

Chilling Rate: approx. 0.5 gallons (2 liters) per hour

Heating Rate: approx. 0.8 gallons (3 liters) per hour

Capacity: 3 or 5 gallon bottle

Power Consumption: Heating: 378–441 watts
Cooling: 70–102 watts

Troubleshooting Tips.

Problem	Possible Causes	What To Do
Water has poor taste or odor	Separator needs cleaning.	• See <i>Cleaning the Separator</i> .
	Unit needs to be sanitized.	• See <i>Cleaning and Sanitizing the Water Tanks</i> .
Water not hot enough or cold enough	Dispenser is unplugged.	• Push the plug completely into the outlet.
	The fuse is blown/circuit breaker is tripped.	• Replace house fuse or reset the house circuit breaker. • If too many items are plugged into a single circuit, move some items to a different circuit.
	All the water in the water tank has been used.	• Wait 30 minutes for water to heat or cool.
	Temperature limiter tripped.	• Set the HOT and COLD power switches (on the back of the dispenser) to the 0 (off) position. Wait five minutes; then set the switches to the 1 (on) position. Wait 30 minutes for water to heat or cool.
Water dispenser does not work	Empty water bottle.	• Replace with a new bottle of water.
	Mineral deposits clogging tanks.	• See <i>Care and Cleaning</i> .
Water dispenser leaks from the outside	Crack or pin hole in bottle.	• Replace with a new bottle of water.
Water dispenser is noisy	Water dispenser is uneven.	• Make sure the water is installed on a level floor or counter strong enough to support it when fully loaded.
	Bottle making a gurgling noise as water fills the tanks.	• This is normal.
	Hot water boiling sound.	• This is normal.
	Dispenser or water bottle shakes when the cooling system cycles off.	• This is normal.
Particles floating in water	Water has high mineral content.	• Find a water source with lower hardness.
Water in bottle is hot	Water is boiling in the hot tank and bubbling up into the bottle.	• Press the hot dispenser button until water flows to remove air from the hot tank.
Foul odor in air around dispenser	Hot water tank is empty or not completely full.	• Press the hot dispenser button until water flows to remove air from the hot tank.

INFORMATIONS IMPORTANTES EN MATIÈRE DE SÉCURITÉ. LISEZ TOUTES LES INSTRUCTIONS AVANT D'UTILISER CET APPAREIL.

▲ AVERTISSEMENT!

N'utilisez cet appareil qu'aux fins prévues dans le Manuel du propriétaire.



PRÉCAUTIONS DE SÉCURITÉ

Quand vous utilisez un appareil électroménager, vous devez suivre des précautions en matière de sécurité, en particulier les suivantes :

- Vous devez bien installer et placer ce distributeur d'eau, conformément à ces instructions, avant de l'utiliser.
 - Ne permettez jamais à des enfants de grimper, de se tenir ou de se pendre à l'extérieur du distributeur ou sur les étagères qui se trouvent à l'intérieur de l'armoire de rangement (sur certains modèles). Ils peuvent renverser le distributeur et l'endommager ou se blesser sérieusement.
 - Ne rangez jamais ou n'utilisez jamais d'essence ou d'autre liquide ou vapeur inflammable à proximité de ce distributeur ou de tout autre appareil électroménager.
 - Débranchez votre distributeur d'eau avant de le nettoyer ou de le réparer.
- NOTE :** GE n'est en faveur d'aucune réparation ou entretien pour le distributeur. Nous vous recommandons fortement de ne pas essayer d'assurer vous-même les réparations ou l'entretien de votre distributeur.
- N'utilisez jamais ce distributeur pour distribuer autre chose que de l'eau.
 - Ne mettez pas le commutateur de marche en position de marche ou ne branchez pas le cordon d'alimentation quand le distributeur est vide.
 - Essayez toute éclaboussure d'eau immédiatement après avoir chargé ou déchargé les bouteilles d'eau.

AVERTISSEMENT : N'utilisez jamais d'eau qui ne soit pas microbiologiquement saine ou qui soit de qualité inconnue.

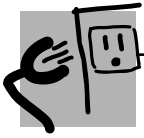
ATTENTION :

- Le distributeur réchauffe l'eau à une température d'environ 88 °C (190 °F). L'eau à une température supérieure à 52 °C (125 °F) peut occasionner des brûlures sévères ou la mort par ébouillantage. Les enfants, les personnes handicapées et les personnes âgées courent le plus grand risque d'être ébouillantés.
- Les enfants doivent être surveillés par un parent quand ils utilisent ce produit.



BONNE INSTALLATION ET BON ENTRETIEN

- Laissez au moins 2,5 cm (1 po) d'espace libre entre l'arrière du distributeur d'eau et le mur, pour permettre une bonne circulation d'air.
- N'installez jamais le distributeur d'eau dans un emplacement où la température peut descendre au-dessous de 10 °C (50 °F) ou monter au-dessus de 38 °C (100 °F).
- Installez le distributeur d'eau sur un plancher ou comptoir suffisamment fort pour le porter quand il est complètement plein. Ne l'installez jamais dans un emplacement où il peut être exposé directement au soleil, à la chaleur ou à l'humidité.



INSTRUCTIONS DE MISE À LA TERRE

AVERTISSEMENT—Une mauvaise utilisation de la fiche triphasée peut occasionner une secousse électrique.

Cet appareil électroménager doit être mis à la terre. En cas de court circuit électrique, la mise à la terre réduit le risque de secousse électrique.

Cet appareil électroménager est muni d'un cordon d'alimentation muni d'un fil de mise à la terre avec une fiche triphasée. La fiche doit être branchée dans une prise murale qui est bien installée et mise à la terre.

Consultez un électricien qualifié si vous ne comprenez pas bien les instructions de mise à la terre ou si vous ne savez pas si votre appareil est bien mis à la terre.

Si la prise murale est une prise normale biphasée, vous êtes responsable et vous êtes obligé de la remplacer par une prise triphasée bien mise à la terre.

Ne coupez ou n'enlevez jamais la troisième broche (mise à la terre) du cordon d'alimentation.

N'utilisez pas une fiche d'adaptation avec cet appareil.

N'utilisez pas de rallonge électrique avec cet appareil. Si le cordon d'alimentation est trop court, demandez à un électricien qualifié d'installer une prise murale près de votre appareil.

Pour un meilleur fonctionnement, branchez cet appareil électroménager à sa propre prise électrique pour éviter toute lumière qui clignote, fusible qui saute ou disjoncteur qui bascule.

▲ DANGER! RISQUE D'ENFERMER DES ENFANTS

BONNE MISE AU REBUT DU DISTRIBUTEUR D'EAU

L'enfermement et l'asphyxie des enfants ne sont pas des histoires du passé. Les distributeurs avec les armoires de rangement jetés ou abandonnés sont toujours dangereux... même s'ils ne doivent rester là que «quelques jours». Si vous vous débarrassez de votre vieux distributeur, suivez les instructions suivantes pour prévenir tout accident.

Avant de jeter votre vieux distributeur d'eau :

- Enlevez les portes et jetez-les séparément.
- Laissez les étagères montées, pour éviter que des enfants puissent facilement monter dans l'armoire du distributeur.
- Si armoire a une serrure, cassez-la.

Disposition du réfrigérant

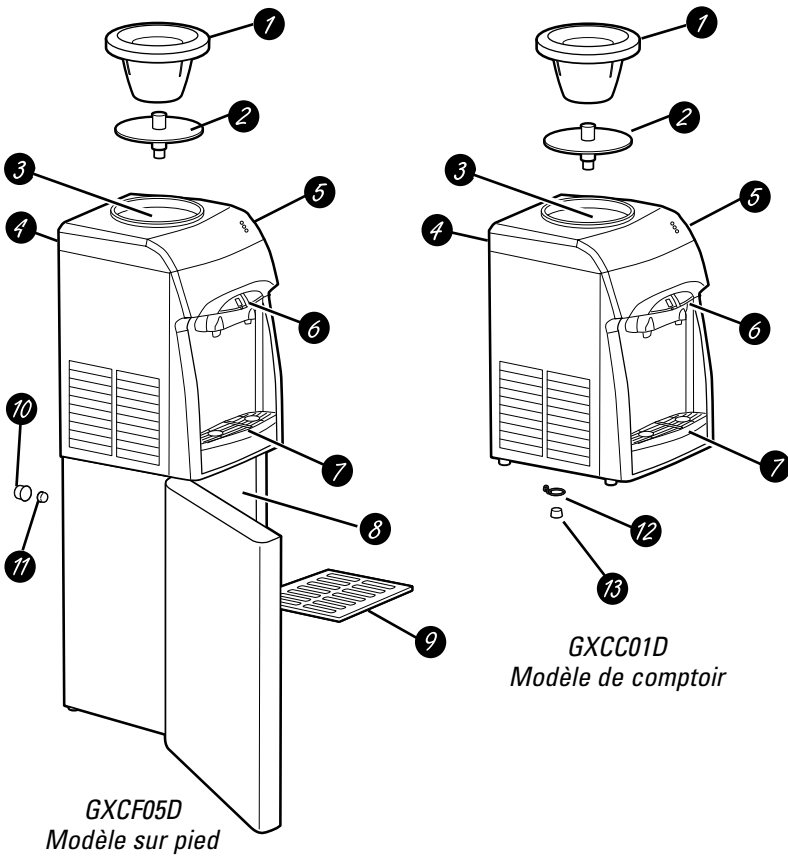
Votre ancien distributeur d'eau peut contenir un réfrigérant réglementaire dans son système de refroidissement. Ces réfrigérants sont jugés nocifs pour l'ozone stratosphérique. Si vous débarrassez de votre ancien distributeur, assurez-vous que le réfrigérant soit enlevé et récupéré par un technicien certifié par l'EPA. Si vous libérez intentionnellement ce réfrigérant, vous pouvez être soumis aux contraventions et à l'emprisonnement sous provisions des lois sur l'environnement.



LISEZ ET SUIVEZ SOIGNEUSEMENT CES MESURES DE SÉCURITÉ.

CONSERVEZ CES INSTRUCTIONS

Utilisation du distributeur d'eau.



Caractéristiques et liste de pièces

- 1 Collier de soutien de bouteille (WS28X10012)
- 2 Séparateur (WS28X10013)
- 3 Réservoir d'eau froide
- 4 Commutateurs de marche eau chaude (rouge) et eau froide (bleu) (arrière du distributeur)
- 5 Voyants lumineux
Le voyant vert s'allume quand le distributeur est branché. Le voyant rouge et le voyant bleu s'allument et s'éteignent quand le distributeur réchauffe ou refroidit l'eau.
- 6 Boutons de distribution d'eau chaude (rouge) et froide (bleu)
- 7 Plateau de condensation du distributeur (WS28X10016) et grille (WS28X10015)
- 8 Armoire de rangement
Ne rangez jamais d'aliments qui doivent être réfrigérés. Cette armoire n'est pas réfrigérée.
- 9 Étagère (WS28X10014)
- 10 Capuchon de drainage (modèle sur pied) (WS01X10008)
- 11 Bouchon en silicone (modèle sur pied) (WS01X10007)
- 12 Bride de retenue (modèle de comptoir) (WS01X10010)
- 13 Couvercle de drain en caoutchouc (modèle de comptoir) (WS01X10011)

Chargement du distributeur



IMPORTANT : Assurez-vous que le distributeur soit débranché et que les deux commutateurs de marche (eau chaude et eau froide) (à l'arrière du distributeur) soient en position 0 (arrêt) avant de le charger. Avant de le charger, essuyez le haut de la bouteille avec un linge propre et lavez-vous les mains. Évitez de toucher la partie de la bouteille qui sera en contact avec le distributeur d'eau.

Assurez-vous que le niveau de l'eau en haut du distributeur soit suffisamment bas pour permettre une bonne installation de la bouteille. Si vous ne le faites pas, vous risquez de provoquer un débordement du distributeur.

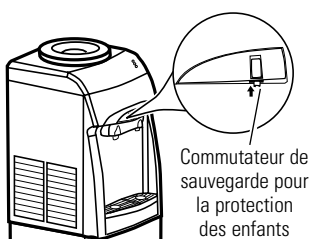
Désinfectez le réservoir d'eau avant de l'emplier pour la première fois (consultez "Nettoyage et désinfection des réservoirs d'eau").

1. Si la bouteille d'eau est munie d'un bouchon avec obturateur central, enfoncez-le à l'intérieur de la bouteille avant de placer celle-ci sur le distributeur.

2. Renversez la bouteille en haut du refroidisseur et fixez-la bien dans le collier de soutien de la bouteille. Installez la bouteille rapidement pour éviter de renverser.
3. **IMPORTANT :** Appuyez sur le bouton de distribution d'eau chaude et sur le bouton de distribution d'eau froide jusqu'à ce que l'eau coule des deux robinets.
4. Branchez le distributeur.
5. Mettez les commutateurs de marche CHAUD et FROID FROID (situés à l'arrière, du côté supérieur gauche du distributeur) en position 1 (marche).
6. Attendez 30 minutes que l'eau atteigne la température chaude et la température froide.

Appelez un distributeur local pour acheter vos bouteilles d'eau.

Sauvegarde pour la protection des enfants



Commutateur de sauvegarde pour la protection des enfants

Le bouton du distributeur CHAUD est muni qu'une sauvegarde pour la sécurité des enfants qui réduit le risque de distribution accidentelle d'eau chaude par de jeunes enfants. Pour utiliser ce bouton, faites glisser le commutateur vers le haut et appuyez sur le bouton.

Le distributeur réchauffe l'eau à une température d'environ 88 °C (190 °F). L'eau à une température supérieure à 52 °C (125 °F) peut occasionner des brûlures ou des blessures sérieuses par ébullition. Les enfants, les personnes handicapées et les personnes âgées courent le plus le risque d'être ébouillantés.

ATTENTION : Les enfants doivent être surveillés par un parent quand ils utilisent ce produit.

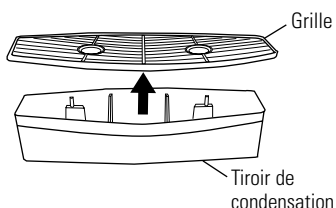
Entretien et nettoyage du distributeur.

Nettoyage de l'extérieur et de l'armoire de rangement (sur certains modèles)

IMPORTANT : Mettez les deux commutateurs de marche (à l'arrière du distributeur) en position **0 (arrêt)** et débranchez le distributeur d'eau avant de le nettoyer.

Vous pouvez nettoyer l'intérieur et l'extérieur de l'armoire avec de l'eau savonneuse. Rincez bien avec de l'eau pure. N'utilisez jamais de nettoyant commercial ou de poudre à récurer abrasive.

Enlevez la poussière du serpentin du condenseur à l'arrière de l'appareil à l'aide d'une brosse ou d'un aspirateur. Pour obtenir les résultats les meilleurs, utilisez une brosse spécialement conçue à cette fin. Vous la trouverez dans la plupart des magasins d'appareils électroménagers.



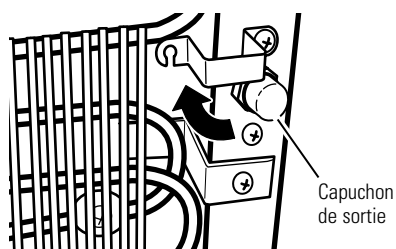
Tiroir de condensation et grille

Le tiroir de condensation du distributeur ne se vide pas automatiquement. Pour réduire les taches dues à l'eau ou à des dépôts, vous devez vider, nettoyer et sécher régulièrement le tiroir et la grille.

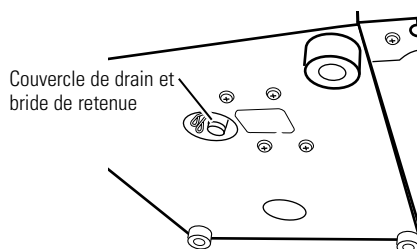
Nettoyez à l'eau légèrement savonneuse ou dans la clayette supérieure de votre machine à laver la vaisselle.

Vidange du distributeur

Vous devez vider le distributeur avant de nettoyer les réservoirs et avant de vous absenter pour de longues vacances ou une longue durée.



Modèles sur pied
(arrière du distributeur)



Modèles de comptoir
(bas du distributeur)

Modèles sur pied

1. Mettez les interrupteurs de marche (à l'arrière du distributeur) en position **0 (arrêt)** et débranchez le distributeur d'eau.
2. Enlevez la bouteille d'eau du distributeur.
3. Mettez le contenant qui recevra l'eau chaude sous le robinet d'eau chaude. **Appuyez sur le bouton du distributeur d'eau chaude jusqu'à ce que l'eau soit fraîche (environ 1 litre).** Ajoutez de l'eau au réservoir d'eau froide (en haut de là où la bouteille fournit l'eau) si nécessaire.
4. Appuyez sur les deux boutons du distributeur et laissez couler l'eau jusqu'à ce qu'il n'y ait plus d'eau qui coule (environ 1 litre d'eau demeure dans le distributeur).
5. Placez un grand seau sous la sortie de vidange située à l'arrière du distributeur.
6. À l'aide d'un tournevis Phillips, desserrez les vis du support qui couvre le capuchon de sortie de vidange. Faites tourner le supports complètement pour avoir accès au capuchon.
7. Enlevez le capuchon et le bouchon de silicone de la sortie de vidange et permettez à l'eau de s'écouler. **Après la vidange, remettez en place le bouchon et le capuchon.**
8. Faites tourner le support afin de le remettre en place et resserrez les vis.

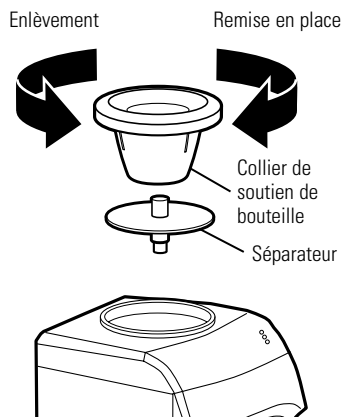
Assurez-vous d'installer une bouteille pleine et de faire couler l'eau du robinet d'eau chaude avant de brancher et de remettre en marche le distributeur (voir *Chargement du distributeur*).

Modèles de comptoir

1. Mettez les interrupteurs de marche (à l'arrière du distributeur) en position **0 (arrêt)** et débranchez le distributeur d'eau.
 2. Enlevez la bouteille d'eau du distributeur.
 3. Mettez le contenant qui recevra l'eau chaude sous le robinet d'eau chaude. **Appuyez sur le bouton du distributeur d'eau chaude jusqu'à ce que l'eau soit fraîche (environ 1 litre).** Ajoutez de l'eau au réservoir d'eau froide (en haut de là où la bouteille fournit l'eau) si nécessaire.
 4. Appuyez sur les deux boutons du distributeur et laissez couler l'eau jusqu'à ce qu'il n'y ait plus d'eau qui coule (environ 1 litre d'eau demeure dans le distributeur).
- AVERTISSEMENT :** *Soulevez le distributeur avec précautions; il pèse environ 18 kg (40 lbs). Évitez de presser accidentellement sur les boutons du distributeur quand vous le soulevez ou le transportez.*
5. Placez le distributeur sur un évier avec 3 pieds sur le comptoir. Tenez bien ou bloquez le distributeur afin qu'il soit immobile quand vous enlevez la bride de retenue et le couvercle de vidange. Enlevez la bride de retenue et le couvercle de vidange de la sortie de vidange, en vous assurant de ne pas endommager le couvercle de vidange. Permettez à l'eau de s'écouler.
 6. Après la vidange, **remettez en place le couvercle de vidange et la bride de retenue.**

Assurez-vous d'installer une bouteille pleine et de faire couler l'eau du robinet d'eau chaude avant de brancher et de remettre en marche le distributeur (voir *Chargement du distributeur*).

Entretien et nettoyage du distributeur.



Nettoyage du séparateur

IMPORTANT : Mettez les deux commutateurs de marche (à l'arrière du distributeur) en position **0 (arrêt)** et débranchez le distributeur d'eau avant tout nettoyage.

1. Enlevez la bouteille d'eau et videz le distributeur (consultez *Vidage du distributeur*).
2. Enlevez le collier de soutien en tournant **dans le sens opposé à celui des aiguilles d'une montre** et en tirant droit.
3. Enlevez le séparateur en matière plastique en tirant droit (vous avez peut-être besoin de tordre légèrement pour dégager).
4. Nettoyez le séparateur avec de l'eau savonneuse ou dans le lave-vaisselle, sur le panier supérieur.
5. Faites bien sécher le haut et le bas du séparateur.
6. À l'aide d'un linge propre ou d'un essuie-tout, séchez le réservoir d'eau froide à fond.
7. Remettez le séparateur en place dans le distributeur. Assurez-vous que l'extrémité allongée et amincie du séparateur soit insérée fermement dans la prise métallique située en bas du réservoir.
8. Remettez en place le collier de soutien et tournez **dans le sens des aiguilles d'une montre** jusqu'à ce qu'il soit bien fixé en place.
9. Remettez en place la bouteille d'eau (consultez *Chargement du distributeur*).

Désinfection et nettoyage des réservoirs d'eau

IMPORTANT : Vous devez désinfecter périodiquement les réservoirs du distributeur d'eau pour empêcher toute accumulation de dépôts minéraux qui peuvent changer le goût et le débit de l'eau.

Pour désinfecter :

1. Avant de désinfecter, mettez les deux commutateurs de marche (à l'arrière du distributeur) en position **0 (arrêt)** et **débranchez le distributeur d'eau**. **NOTE :** Pour la première installation, sautez les étapes 2-4.



Position
ARRÊT

2. Videz la bouteille d'eau, puis retirez-la du distributeur.
3. Videz les réservoirs d'eau (voir *Vidage du distributeur*).
4. **Remettez en place le bouchon de silicone et le capuchon de drain (modèles sur pied), ou le couvercle de drain et la bride de retenue (modèles de comptoir)** (voir *Vidage du distributeur*).
5. **N'AJOUTEZ PAS L'EAU DE JAVEL EN PREMIER OU DIRECTEMENT DANS LE DISTRIBUTEUR. L'eau de Javel concentrée risque d'endommager le plastique.**
Versez 1/2 cuillère à thé (2,5 ml) d'eau de Javel domestique (concentration 6,0 % maximum) dans une cruche de 2 litres remplie d'eau du robinet.
6. Versez la solution dans l'ouverture située sur le dessus du distributeur.
7. Répétez les étapes 5 et 6 jusqu'à ce que le distributeur soit plein.
8. Appuyez sur les boutons de distribution d'eau chaude et froide jusqu'à ce que l'eau coule des deux robinets.
9. Laissez la solution agir pendant 15 à 20 minutes.

10. Rinçage de la solution d'eau de Javel :

- Videz le contenu des réservoirs d'eau dans un grand seau (modèle sur pied) ou évier (modèle de comptoir) (voir *Vidage du distributeur*).
- Assurez-vous que le bouchon en silicone (modèles sur pied) ou le couvercle de drain (modèles de comptoir) ne soit **PAS** en place.

— **IMPORTANT :** Enlevez le séparateur et nettoyez le réservoir d'eau froide (voir *Nettoyage du séparateur*).

— Nettoyez, puis remettez en place le séparateur et le collier de soutien (voir *Nettoyage du séparateur*).

— Versez approximativement 1 gallon (4 litres) d'eau du robinet dans l'ouverture du dessus, puis laissez l'eau s'écouler dans le seau (modèle sur pied) ou évier (modèle de comptoir).

— Versez un autre gallon (4 litres) d'eau du robinet dans l'ouverture du dessus, puis laissez l'eau s'écouler dans le seau (modèle sur pied) ou évier (modèle de comptoir).

11. **Remettez en place le bouchon de silicone et le capuchon de drain (modèles sur pied), ou le couvercle de drain et la bride de retenue (modèles de comptoir)** (voir *Vidage du distributeur*).
12. Mettez en place une bouteille d'eau fraîche (voir *Chargement du distributeur*).
13. **Laissez écouler 1 litre d'eau à travers chaque robinet** et goûtez-y afin de vérifier que la solution d'eau de Javel a complètement été évacuée.

Si l'eau goûte toujours le chlore de la solution d'eau de Javel, répétez les étapes 10 à 13 jusqu'à ne plus percevoir ce goût.

14. Branchez le distributeur. Mettez les commutateurs de marche eau chaude et eau froide (à l'arrière du distributeur) en position **I (marche)**.



Position
MARCHÉ

Pour enlever les dépôts minéraux :

Mélangez 2 litres d'eau avec deux litres de vinaigre; OU mélangez 4 litres d'eau avec 454 grammes de cristaux d'acide citrique. L'eau de Javel n'enlève pas les dépôts minéraux. Appliquez cette procédure à l'étape 5 lorsque vous voulez enlever les dépôts minéraux.

Préparation au départ en vacances

Quand vous partez en vacances ou vous absentez pendant longtemps, mettez les deux commutateurs de marche (à l'arrière du distributeur) en position **0 (arrêt)**.

1. Débranchez le distributeur d'eau.
2. Enlevez la bouteille d'eau.

3. Videz les réservoirs d'eau (voir *Vidage du distributeur*).
4. Faites bien sécher le haut et le bas du séparateur (voir *Nettoyage du séparateur*).

*De retour de vacances, assurez-vous de désinfecter les réservoirs d'eau avant d'utiliser le distributeur (voir *Nettoyage et désinfection des réservoirs d'eau*).*

Caractéristiques techniques

Taux de refroidissement : environ 2 litres (0,5 gallons) par heure

Taux de réchauffement : environ 3 litres (0,8 gallons) par heure

Capacité : bouteille de 15 ou 20 litres (3 ou 5 gallons)

Consommation de courant : Réchauffement : 378 à 441 watts

Refroidissement : 70 à 102 watts

Conseils de dépannage.

Problème	Cause possible	Que faire
L'eau a un mauvais goût ou une mauvaise odeur	Le séparateur doit être nettoyé.	• Consultez <i>Nettoyage Nettoyage du séparateur</i> .
	Le distributeur doit être désinfecté.	• Consultez <i>Nettoyage et désinfection des réservoirs d'eau</i> .
L'eau n'est pas suffisamment chaude ou froide	Le distributeur n'est pas branché.	• Poussez complètement la fiche dans la prise murale.
	Le fusible a sauté ou le disjoncteur a basculé.	• Remplacez le fusible de la maison ou rebranchez le disjoncteur de la maison. • Si trop d'articles sont branchés sur le même circuit, enlevez quelques articles pour les brancher à un circuit différent.
	Toute l'eau des réservoirs a été utilisée.	• Attendez 30 minutes que l'eau se réchauffe ou se refroidisse.
	Le limiteur de température s'est déclenché.	• Mettez les commutateurs d'eau chaude et d'eau froide (à l'arrière du distributeur) en position 0 (arrêt) . Attendez 5 minutes, puis mettez les commutateurs en position I (marche) . Attendez 30 minutes que l'eau se refroidisse ou se réchauffe.
Le distributeur d'eau ne fonctionne pas	La bouteille d'eau est vide.	• Remplacez-la par une nouvelle bouteille d'eau.
	Des dépôts de minéraux bouchent les réservoirs.	• Consultez <i>Entretien et nettoyage</i> .
Le distributeur d'eau coule à l'extérieur	Il y a un trou d'épingle ou une fente dans la bouteille.	• Remplacez par une nouvelle bouteille d'eau.
Le distributeur d'eau fait du bruit	Le distributeur d'eau n'est pas bien à niveau.	• Assurez-vous que le distributeur d'eau soit bien installé sur un plancher horizontal suffisamment fort pour le soutenir quand il est plein.
	La bouteille fait un glou-glou quand l'eau remplit les réservoirs.	• Ce bruit est normal.
	Son d'eau chaude qui bout.	• Ce bruit est normal.
	Le distributeur ou la bouteille d'eau vibre lorsque le système de refroidissement termine son cycle.	• C'est normal.
Particules qui flottent dans l'eau	L'eau contient beaucoup de minéraux.	• Trouvez une source d'eau moins dure.
L'eau de la bouteille est chaude	L'eau bout dans le réservoir d'eau chaude et bouillonne dans la bouteille.	• Appuyez sur le bouton de distribution d'eau chaude jusqu'à ce que l'eau coule pour ôter l'air du réservoir d'eau chaude.
Une mauvaise odeur dans l'air autour du distributeur	Le réservoir d'eau chaude est vide ou pas complètement plein.	• Appuyez sur le bouton de distribution d'eau chaude jusqu'à ce que l'eau coule pour ôter l'air du réservoir d'eau chaude.

Soutien au consommateur.



Site Internet GE Appliances

GEAppliances.com

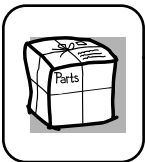
Avez vous une question ou besoin d'aide concernant votre appareil électroménager? Essayez le site internet de GE Appliances, 24 heures par jour, 365 jours par an. Pour plus de confort et de rapidité vous pouvez maintenant y extraire les manuels d'utilisation, et même commander des pièces et des catalogues. Vous pouvez également poser vos questions a notre "demandez à notre equipe d'Experts," et beaucoup d'autres choses...



Studio de Design pour la Vraie Vie

GEAppliances.com

GE agit activement en faveur du concept de Design Universel—des produits, services et environnements qui peuvent être utilisés par des personnes de tout age, taille et capacité. Nous reconnaissons le besoin de concevoir des produits adaptés a un grand nombre de handicaps physiques et mentaux. Pour obtenir des details sur les applications du Design Universel de GE, qui comprend des idées d'agencement de cuisine pour des personnes handicapées, consultez dès à présent notre site internet. Pour les personnes mal-entendantes, merci d'appeler le numero : 800.TDD.GEAC (800.833.4322).

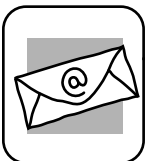


Pièces et accessoires

GEAppliances.com

Les personnes peuvent recevoir directement à la maison des pièces (les cartes VISA, MasterCard ou Discover sont acceptées). Commandez en ligne à tout moment, 24 heures par jour ou par téléphone au numero 800.626.2002 pendant les horaires de bureau habituels.

Les directives stipulées dans le présent manuel comportent des procédures que n'importe quel utilisateur peut effectuer. GE n'est en faveur d'aucune réparation ou entretien pour le distributeur. Nous vous recommandons fortement de ne pas essayer d'assurer vous-même les réparations ou l'entretien de votre distributeur.



Contactez nous

GEAppliances.com

Si vous n'êtes pas satisfait du Service Apres Vente dont vous avez bénéficié de GE, contactez nous sur notre site en fournissant tous les details, y compris votre numero de téléphone, ou ecrivez au : Manager, Customer Relations, GE Appliances, Appliance Park, Louisville, KY 40225.

GARANTIE LIMITÉE DE DEUX ANS

- *Que couvre la garantie?*
 - Tout défaut de matériel ou de main d'oeuvre du produit.
- *Q'est-ce qui n'est pas couvert par la garantie?*
 - Les bouteilles d'eau.
 - Les déplacements à votre domicile pour vous enseigner comment utiliser le produit.
 - Une installation incorrecte.
 - Une panne du produit causée par un abus d'utilisation, une mauvaise utilisation, toute modification ou une utilisation du produit dans un but non prévu.
 - Tout produit qui est utilisé en dehors d'une résidence ou d'un bureau.
 - Le remplacement des fusibles ou des disjoncteurs de la résidence.
 - Utilisation de ce produit lorsque l'eau est microbiologiquement impure ou de qualité inconnue.
 - Dommage au produit si vous l'utilisez pour distribuer autre chose que de l'eau.
 - Tout dommage causé au produit par accident, incendie, inondation ou acte de Dieu.
 - Tout service au produit.
 - **Tout dommage fortuit ou indirect causé par des défauts éventuels de cet appareil, son installation ou les réparations effectuées.**
- *Quelle est la durée de la garantie après l'achat?*
 - Deux ans.
- *Comment dois-je faire ma réclamation?*
 - Ramenez le produit au magasin où vous l'avez acheté avec une exemplaire de la "Preuve d'achat". Une unité neuve ou remise à neuf sera fournie. Cette garantie exclut les frais d'expédition du produit à votre domicile.
- *Quel est le statut de cette garantie vis-à-vis de la loi?*
 - Cette garantie couvre l'acheteur original et tout propriétaire subséquent des produits achetés à des fins résidentielles ou de bureau à l'intérieur des États-Unis. **Certains États ne permettent pas l'exclusion ou la restriction des dommages accessoires ou consécutifs. Cette garantie vous donne des droits juridiques particuliers, mais vous pouvez également avoir d'autres droits qui varient d'État à État. Pour connaître vos droits juridiques, consultez le bureau de protection du consommateur de votre localité, de votre État ou le procureur général de votre État.**

Exclusion des garanties implicites : Sauf si elles sont interdites ou restreintes par la loi, il n'y a pas de garantie, qu'elle soit expresse, verbale ou statutaire, qui s'étende au delà de la présente description, en particulier aucune garantie implicite de qualité marchande ou de convenance à un besoin particulier.

Garant : General Electric Company, Louisville, KY 40225.

INFORMACIONES DE SEGURIDAD IMPORTANTES. LEA TODAS LAS INSTRUCCIONES ANTES DE USAR.

⚠ ¡ADVERTENCIA!

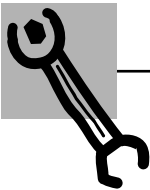
Use este aparato solamente con el propósito para el cual fue fabricado de acuerdo a como se describe en este Manual del Propietario.



PRECAUCIONES DE SEGURIDAD

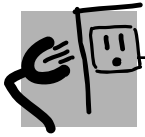
Cuando use aparatos, usted debe tomar ciertas precauciones de seguridad, incluyendo las siguientes:

- Este dispensador de agua debe ser instalado apropiadamente y localizado de acuerdo con estas instrucciones antes de ser usado.
 - No permita que los niños se trepen, paren o cuelguen de la parte externa del dispensador, o en los estantes en el interior del gabinete de almacenamiento (en algunos modelos). Esto podría hacer que el dispensador se voltee y se dañe o cause lesiones serias a los niños.
 - No almacene o use gasolina ni otros vapores o líquidos inflamables próximo a este u otro aparato.
 - Desconecte el dispensador de agua antes de limpiarlo o hacerle cualquier reparación.
- NOTA:** GE no proporciona servicio para el dispensador. Recomendamos que no intente proporcionar servicio al dispensador usted mismo.
- No use este dispensador de agua para dispensar ninguna otra cosa que no sea agua.
 - No conecte el cable eléctrico ni accione los interruptores eléctricos cuando el dispensador de agua está vacío.
 - Limpie cualquier derrame de agua inmediatamente después de haber llenado o vaciado botellas de agua.
- ADVERTENCIA:** No use con agua que sea microbiológicamente insegura o de calidad desconocida.
- PRECAUCIÓN:**
- El dispensador calienta agua a una temperatura de aproximadamente 88 °C (190 °F). El agua a temperaturas mayores de 52 °C (125 °F) puede causar quemaduras severas y hasta la muerte debido a las quemaduras. Los niños, las personas con incapacidades físicas y los ancianos tienen un riesgo mayor de sufrir quemaduras.
 - Los niños deben ser supervisados por uno de los padres cuando se disponga a usar este producto.



INSTALACIÓN APROPIADA Y LOCALIZACIÓN

- Permita por lo menos 2,5 cm (1 pulg.) de espacio entre la parte posterior del dispensador de agua y la pared, para permitir que el aire circule.
- No instale el dispensador de agua donde la temperatura esté por debajo de 10 °C (50 °F) o por encima de 38 °C (100 °F).
- Instale el dispensador de agua en un piso o encimera nivelado lo suficientemente resistente para resistir su peso cuando esté totalmente lleno. No instale donde esté sujeto a la luz directa del sol, calor o humedad.



INSTRUCCIONES PARA CONEXIÓN A TIERRA

ADVERTENCIA—El uso inapropiado de un enchufe que no esté conectado a tierra apropiadamente podría resultar en riesgos de descargas eléctricas.

Este aparato debe estar conectado a tierra. En el caso de que ocurra un corto circuito, la conexión a tierra reduce el riesgo de descarga eléctrica.

Este aparato está equipado con un cable eléctrico que tiene un enchufe que cuenta con un cable para ser conectado a tierra. El enchufe debe estar conectado a un enchufe que esté instalado apropiadamente y que esté conectado a tierra.

Consulte a un electricista calificado si usted no entiende las instrucciones de conexión a tierra, o si existe alguna duda de si el aparato está conectado apropiadamente a tierra.

Si el enchufe es uno estándar de dos clavijas, es su responsabilidad personal y obligación hacer que sea reemplazado con un enchufe de 3 clavijas con conexión a tierra.

Bajo ninguna circunstancia corte o remueva la tercer clavija (la de conexión a tierra) del cable eléctrico.

No utilizar un adaptador con este aparato.

No utilizar un cable de extensión con este aparato. Si el cable eléctrico del aparato es muy corto, haga que un electricista calificado instale un tomacorriente cerca del aparato.

Para obtener una mejor operación, enchufe este aparato en su tomacorriente propio para evitar que las luces parpadeen, que se queme un fusible o que se dispare un interruptor de circuito.

⚠ ¡PELIGRO! RIESGO DE QUE UN NIÑO PUEDA QUEDAR ATRAPADO

CÓMO ELIMINAR SU DISPENSADOR DE AGUA DE FORMA APROPIADA

El riesgo de que los niños queden atrapados y se asfixien no es un problema del pasado. Los dispensadores abandonados o tirados...aunque sea sólo por unos pocos días siguen siendo un peligro. Si se deshace de su aparato viejo, siga las instrucciones que le proporcionamos a continuación para ayudar a prevenir accidentes.

Antes de deshacerse de su viejo dispensador:

- Quite todas las puertas del gabinete y tírelas por separado.
- Deje los estantes en su sitio para que los niños no se suban encima.
- Si su dispensador viejo tiene un candado, inutilícelo.

Deshacerse del refrigerante

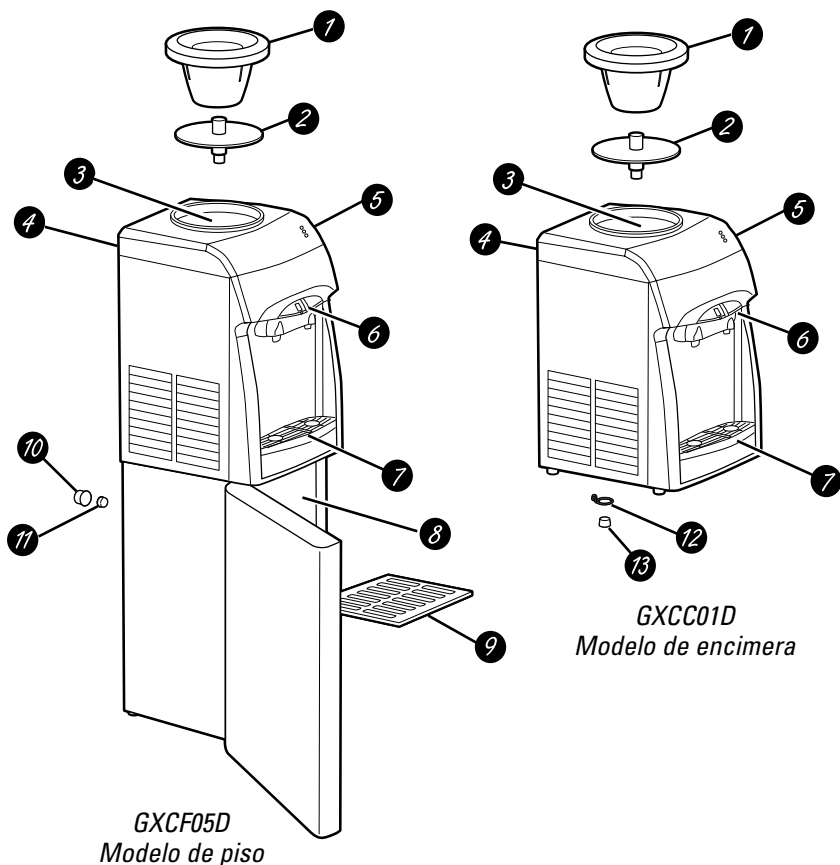
Su antiguo dispensador de agua puede usado un refrigerante regulado en su sistema de enfriamiento. Estos refrigerantes son nocivos para el ozono estratosférico. Si se deshace del antiguo dispensador, asegúrese de que se deshaga y cubierto del refrigerante correctamente por un técnico certificado EPA. Si se libera a propósito el refrigerante puede estar sujeto a las multas y al encarcelamiento bajo las estipulaciones de la legislación ambiental.



LEA Y SIGA CUIDADOSAMENTE LA INFORMACIÓN DE SEGURIDAD.

CONSERVE ESTAS INSTRUCCIONES

Como utilizar el dispensador de agua.



Lista de partes y características

1 Collar de apoyo de la botella (WS28X10012)

2 Separador (WS28X10013)

3 Tanque de agua fría

4 Interruptores para agua Fría (azul) y Caliente (rojo) (en la parte posterior del dispensador)

5 Luces indicadoras

La luz verde estará encendida cuando el dispensador esté conectado. Las luces roja y azul harán un ciclo de encendido y apagado mientras el dispensador calienta o enfría el agua.

6 Botones para suministrar agua Caliente (rojo) y Fría (azul)

7 Bandeja de agua goteada (WS28X10016) y parrilla (WS28X10015)

8 Gabinete de almacenamiento

No use para almacenar alimentos que requieran refrigeración. Este gabinete no es refrigerado.

9 Estante (WS28X10014)

10 Tapa de drenaje (modelos de piso) (WS01X10008)

11 Tapón de silicona (modelos de piso) (WS01X10007)

12 Gancho retenedor (modelos de encimera) (WS01X10010)

13 Tapa de drenaje de caucho (modelos de encimera) (WS01X10011)

Cómo cargar el dispensador



IMPORTANTE: Cerciórese de que el dispensador esté desconectado con ambos interruptores de agua fría y de agua caliente (en la parte posterior del dispensador) en la posición **0** (apagado). Antes de colocar la botella de agua en el dispensador, lávese las manos y limpie la parte superior de la botella con un paño limpio. Evite tocar la parte de la botella que estará en contacto con el dispensador de agua.

Cerciórese de que el nivel del agua en la parte superior del dispensador es lo suficientemente baja para permitir que la botella pueda ser instalada apropiadamente. No hacerlo podría causar que haya un derrame en el dispensador.

Desinfecte los tanques de agua del dispensador antes de cargar el dispensador la primera vez (ver "Cómo limpiar y desinfectar los tanques de agua").

1. Si la botella de agua tiene tapa, empuje el tapón central fuera de la tapa y hacia dentro de la botella antes de colocarla en el dispensador.

2. Coloque la botella en la parte superior del dispensador como se muestra en la figura, en el collar de apoyo para la botella. Instale la botella rápidamente para reducir la posibilidad de derrames.

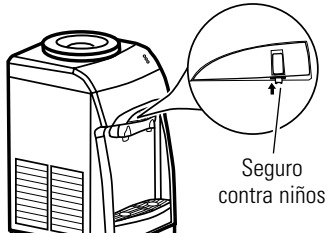
3. **IMPORTANTE:** Presione los botones de suministro de agua fría y caliente hasta que fluya agua de ambos terminales.

4. Enchufe el dispensador.

5. Coloque los interruptores de agua caliente y fría (ubicados en la parte superior izquierda detrás del dispensador) en la posición **I** (encendido).

6. Deje que transcurran 30 minutos para que el agua alcance las temperaturas fría y caliente.

Póngase en contacto con un distribuidor de botellas de agua local para comprar las botellas.



Seguro contra niños

El botón CALIENTE del dispensador está equipado con un seguro contra niños que reduce el riesgo de que un niño suministre agua caliente accidentalmente. Para usar el botón, deslice el interruptor hacia arriba y presiónelo.

El dispensador calienta agua a una temperatura de aproximadamente 88 °C (190 °F). El agua a temperaturas mayores de 52 °C (125 °F) puede causar quemaduras severas y hasta la muerte debido a las quemaduras. Los niños, las personas con incapacidades físicas y los ancianos tienen un riesgo mayor de sufrir quemaduras.

PRECAUCIÓN: Los niños deben ser supervisados por uno de los padres cuando se disponga a usar este producto.

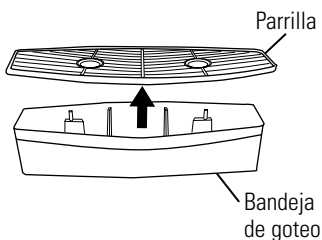
Cuidado y limpieza del dispensador.

Cómo limpiar la parte externa y el gabinete de almacenamiento (en algunos modelos)

IMPORTANTE: Coloque ambos interruptores eléctricos (en la parte posterior del dispensador) en la posición **0 (apagado)** y desconecte el dispensador de agua antes de limpiar.

Las partes internas y externas del gabinete pueden ser lavadas con jabón y agua. Lave bien con agua limpia. Nunca use limpiadores comerciales o polvos pulidores abrasivos.

Pase un paño o limpie con una aspiradora cualquier polvo de las bovinas del condensador en la parte posterior de la unidad. Para mejores resultados, use un cepillo especialmente diseñado para este propósito. Estos están disponibles en la mayoría de las tiendas de aparatos.



Cómo limpiar la bandeja de goteo y parrilla

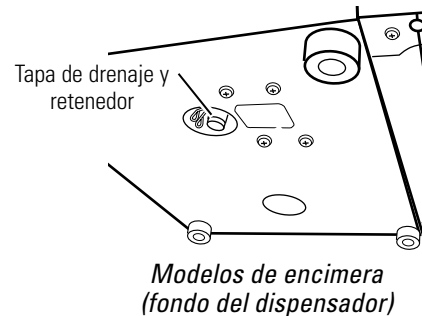
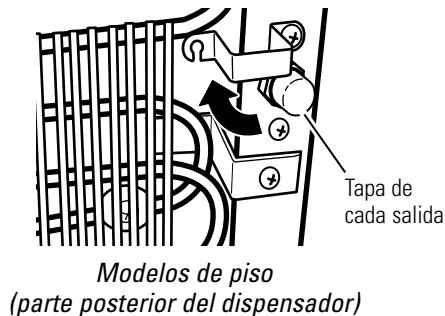
La bandeja de goteo del dispensador no drena automáticamente. Para reducir el goteo de agua, la bandeja y su parrilla deben ser vaciadas, limpiadas y secadas de manera regular.

Limpie con un jabón suave o en el estante superior de un lavaplatos.

Cuidado y limpieza del dispensador.

Cómo drenar el dispensador

El dispensador debería ser drenado antes de limpiar los tanques y antes de salir a una vacaciones largas o ausencias.



Modelos de piso

1. Coloque ambos interruptores eléctricos (en la parte posterior del dispensador) en la posición **0 (apagado)** y desconecte el dispensador de agua.
2. Retire la botella de agua del dispensador.
3. Coloque un contenedor que resista agua caliente debajo del grifo de agua caliente. **Presione el botón dispensador de agua caliente hasta que el agua se enfríe (cerca de un cuarto)**. Agregue agua al depósito de agua fría (en la parte de arriba donde la botella suministra el agua) según sea necesario.
4. Dispense agua de ambos botones en el contenedor(es) hasta que no se dispense más agua (cerca de un cuarto de agua permanece todavía en el dispensador).
5. Coloque una cubeta grande debajo de la salida de drenaje en la parte posterior del dispensador.
6. Usando un destornillador de estrella, afloje los tornillos en el soporte que cubre la tapa de salida del drenaje. Rote el soporte hasta que esté fuera del camino para permitir el fácil acceso hacia la tapa.
7. Retire la tapa y el tapón de silicona de la salida de drenaje y permita que el agua se drene. Después del drenaje, **reemplace el tapón y la tapa**.
8. Rote el soporte de nuevo en su lugar y apriete los tornillos.

Cerciórese de instalar una botella completa y dispense agua desde el grifo de agua caliente antes de conectar y encender el dispensador (ver *Cómo cargar el dispensador*).

Modelos de encimera

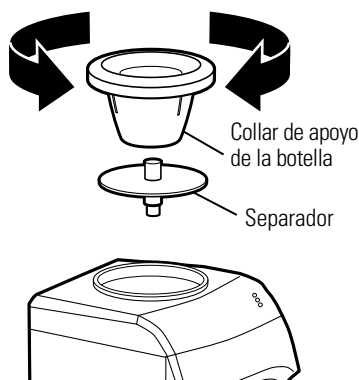
1. Coloque ambos interruptores eléctricos (en la parte posterior del dispensador) en la posición **0 (apagado)** y desconecte el dispensador de agua.
2. Retire la botella de agua del dispensador.
3. Coloque un contenedor que resista agua caliente debajo del grifo de agua caliente. **Presione el botón dispensador de agua caliente hasta que el agua se enfríe (cerca de un cuarto)**. Agregue agua al depósito de agua fría (en la parte de arriba donde la botella suministra el agua) según sea necesario.
4. Dispense agua de ambos botones en el contenedor(es) hasta que no se dispense más agua (cerca de un cuarto de agua permanece todavía en el dispensador).

ADVERTENCIA: Levante el dispensador cuidadosamente. Pesa aproximadamente 40 libras o 18 kilos. Evite presionar los botones del dispensador accidentalmente mientras se levanta o se carga.

5. Coloque el dispensador sobre el lavaplatos con 3 pies en la encimera. Sostenga y asegure el dispensador firmemente mientras retira el gancho retenedor y la tapa de drenaje. Retire el gancho retenedor y la tapa de drenaje de la salida de drenaje, cerciorándose de no dañar la tapa de drenaje. Permita que el agua se drene.
6. Después de drenar, **reemplace la tapa de drenaje y el gancho retenedor**.

Cerciórese de instalar una botella completa y dispense agua desde el grifo de agua caliente antes de conectar y encender el dispensador (ver *Cómo cargar el dispensador*).

Para remover Para reemplazar



Cómo limpiar el separador

IMPORTANTE: Coloque ambos interruptores eléctricos (en la parte posterior del dispensador) en la posición **0 (apagado)** y desconecte el dispensador de agua antes de limpiarlo.

1. Remueva la botella de agua y drene el dispensador (ver *Cómo drenar el dispensador*).
2. Remueva el collar de soporte girando en **sentido contrario a las agujas del reloj** y tirando de él directamente hacia afuera.
3. Remueva el separador plástico tirando hacia afuera (es posible que tenga que doblarlo ligeramente para aflojarlo).
4. Limpie el separador con un jabón de platos y agua o en la bandeja superior del lavaplatos.

5. Seque el separador completamente tanto en la parte superior como en la parte inferior.
6. Con un paño limpio o toalla de papel, seque completamente el tanque de agua fría.
7. Coloque el separador otra vez en el dispensador. Cerciórese de que el extremo largo, afilado del separador se coloque firmemente en el tapón metálico en el fondo del tanque.
8. Reemplace el collar de soporte y gire en **sentido de las agujas del reloj** hasta quedar firmemente colocado en su lugar.
8. Reemplace la botella de agua (ver *Cómo cargar el dispensador*).

Cuidado y limpieza del dispensador.

Cómo desinfectar y limpiar los tanques de agua

IMPORTANTE: Periódicamente se deben desinfectar los tanques dispensadores de agua para evitar sabores desagradables en el agua y limpiar para retirar los depósitos de minerales que puedan obstaculizar el flujo.

Para desinfectar:

1. Antes de limpiar, coloque ambos interruptores eléctricos (en la parte posterior del dispensador) en la posición **O (apagado)** y **desconecte el dispensador de agua**. **Nota:** Para la instalación por primera vez, ignore los pasos 2 - 4.



Posición
apagado

2. Desocupe la botella de agua, luego retírela del dispensador.
3. Drene los tanques de agua (ver *Cómo drenar el dispensador*).
4. **Vuelva a instalar el tapón de silicona y la tapa de drenaje (en los modelos de piso) o la tapa de drenaje y el gancho retenedor (en los modelos de encimera)** (ver *Cómo drenar el dispensador*).
5. **NO AGREGUE BLANQUEADOR PRIMERO O DIRECTAMENTE EN EL DISPENSADOR. El blanqueador concentrado puede dañar el plástico.**

Agregue 1/2 cucharada (2.5 ml) de blanqueador común casero al 6% como máximo, a una jarra de dos cuartos (2 litros) llena con agua de la llave.

6. Vierta la solución en la abertura en la parte superior del dispensador.
7. Repita los pasos 5 y 6 hasta que el dispensador esté lleno.
8. Presione los botones del dispensador para agua fría y caliente hasta que el agua empiece a fluir de las llaves.
9. Permita que se asiente por 15-20 minutos.
10. **Enjuague la solución de blanqueador:**

— Drene los tanques de agua en una cubeta grande (modelo de piso) o lavaplatos (modelo de encimera) (ver *Cómo drenar el dispensador*).

— Cerciórese de que el tapón de silicona (en los modelos de piso) o la tapa de drenaje (en los modelos de encimera) **NO** estén instalados.

— **IMPORTANTE: Retire el separador y limpie el tanque de agua fría** (ver *Cómo limpiar el separador*).

— Limpie, luego vuelva a instalar el separador y el collar (ver *Cómo limpiar el separador*).

— Vierta aproximadamente 1 galón (4 cuartos o 4 litros) de agua fresca de la llave en la parte superior y permita que se drene hacia la cubeta (modelo de piso) o lavaplatos (modelo de encimera).

— Enjuague con 1 galón (4 cuartos o 4 litros) adicional de agua fresca de la llave y permita que se drene hacia la cubeta (modelo de piso) o lavaplatos (modelo de encimera).

11. **Vuelva a instalar el tapón de silicona y la tapa de drenaje (en los modelos de piso) o la tapa de drenaje y el gancho retenedor (en los modelos de encimera)** (ver *Cómo drenar el dispensador*).
12. Instale una botella de agua fresca (ver *Cómo cargar el dispensador*).
13. **Dispense 1 cuarto (1 litro) de agua de cada llave** y pruébela para cerciorarse de que la solución blanqueadora está completamente eliminada.

Si continúa el sabor a cloro de la solución blanqueadora, repita los pasos del 10 al 13 hasta que el sabor desaparezca.

14. Conecte el dispensador. Luego, encienda los interruptores de agua fría y agua caliente (en la parte posterior del dispensador).



Posición
encendido

Para retirar los depósitos de minerales:

Mezcle 2 cuartos (2 litros) de agua con dos cuartos de vinagre **O BIEN** un galón de agua (4 litros) con 16 onzas (454 g) de cristales de ácido cítrico. El blanqueador no retira los depósitos minerales. Haga esto en vez del paso 5 al retirar los depósitos minerales.

Preparándose para las vacaciones

Para vacaciones extensas o ausencias, coloque los dos interruptores eléctricos (en la parte posterior del dispensador) en la posición **O (apagado)**.

1. Desconecte el suministrador de agua.
2. Remueva la botella de agua.

3. Drene los tanques de agua (ver *Cómo drenar el dispensador*).
4. Seque el separador completamente tanto en la parte superior como en la parte inferior (ver *Cómo limpiar el separador*).

*Después de regresar de vacaciones, cerciórese de desinfectar los tanques de agua antes de usar el dispensador (ver *Cómo limpiar y desinfectar el tanque de agua*).*

Especificaciones

Ritmo de enfriamiento: Aprox. 0,5 galones (2 litros) por hora

Ritmo de calentamiento: Aprox. 0,8 galones (3 litros) por hora

Capacidad: Botella de 3 ó 5 galones

Consumo eléctrico: En calentamiento: 378–441 vatios
En enfriamiento: 70–102 vatios

Solucionar problemas.

Problema	Posibles causas	Qué hacer
El agua tiene un sabor desagradable o un mal olor	El separador necesita ser limpiado.	• Ver <i>Cómo limpiar el separador</i> .
	El dispensador de agua debe ser desinfectado.	• Ver <i>Cómo limpiar y desinfectar los tanques de agua</i> .
El agua no está suficientemente caliente o fría	El dispensador de agua está desconectado.	• Empuje el enchufe completamente en el tomacorriente.
	El fusible o el interruptor de circuito se quemó o se disparó.	• Reemplace el fusible o reajuste el interruptor de circuito. • Si demasiados artículos están enchufados en un circuito único, mueva algunos artículos a un circuito diferente.
	Toda el agua en los tanques de agua ha sido usado.	• Espere 30 minutos para que el agua se caliente o se enfríe.
	El limitador de temperatura se disparó.	• Coloque los interruptores de agua caliente y fría (en la parte posterior del dispensador) en la posición 0 (apagado) . Espere 5 minutos, entonces ajuste los interruptores en la posición 1 (encendido) . Espere 30 minutos para que el agua se caliente o se enfríe.
El dispensador de agua no funciona	Botella de agua vacía.	• Reemplace con una botella de agua nueva.
	Depósitos minerales pueden estar obstruyendo los tanques.	• Ver la sección sobre <i>Cuidado y limpieza</i> .
El dispensador de agua tiene una fuga desde el exterior	Hay un agrietamiento o un agujerito en la botella.	• Reemplace con una botella de agua nueva.
El dispensador de agua hace mucho ruido	El dispensador de agua no está apoyado de manera plana.	• Cerciórese de que el dispensador está instalado en un piso plano y nivelado lo suficientemente fuerte para soportar su peso cuando está totalmente lleno.
	La botella está haciendo ruidos de borboteo mientras el agua llena los tanques.	• Esto es normal.
	Sonido de agua hirviendo.	• Esto es normal.
	El dispensador o la botella de agua se agitan cuando el sistema de enfriamiento se apaga.	• Esto es normal.
Partículas flotando en el agua	El agua tiene un alto contenido de minerales.	• Encuentre una fuente de agua con menor dureza.
El agua en la botella está caliente	El agua está hirviendo en el tanque caliente y haciendo burbujas en la botella.	• Presione el botón de dispensador caliente hasta que el agua fluya para remover el aire del tanque caliente.
Un olor acre en el aire alrededor del dispensador	El tanque de agua caliente está vacío, o no lleno completamente.	• Presione el botón de dispensador caliente hasta que el agua fluya para remover el aire del tanque caliente.

Servicio al consumidor.



Página Web de GE Appliances

GEAppliances.com

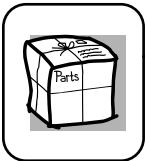
¿Tiene alguna pregunta sobre su electrodoméstico? ¡Pruebe la página Web de GE Appliances 24 horas al día, cualquier día del año! Para mayor conveniencia y servicio más rápido, ya puede descargar los Manuales de los Propietarios, o hasta ordenar partes y catálogos en línea. También puede “Ask Our Team of Experts™” (Preguntar a nuestro equipo de expertos) sobre cualquier cuestión y mucho más...



Real Life Design Studio (Estudio de diseño para la vida real)

GEAppliances.com

GE apoya el concepto de Diseño Universal—productos, servicios y ambientes que pueden usar gente de todas las edades, tamaños y capacidades. Reconocemos la necesidad de diseñar para una gran gama de habilidades y dificultades físicas y mentales. Para más detalles sobre las aplicaciones de GE Diseño Universal, incluyendo ideas de diseño para la cocina para personas con discapacidades, mire nuestra página Web hoy mismo. Para personas con dificultades auditivas, favor de llamar al 800.TDD.GEAC (800.833.4322).



Piezas y accesorios

GEAppliances.com

Individuos pueden solicitar que se les envíen partes a sus casas (aceptamos las tarjetas VISA, MasterCard y Discover). Haga su pedido en línea hoy, 24 horas cada día o llamar por teléfono al 800.626.2002 durante horas normales de oficina.

Las instrucciones descritas en este manual cubren los procedimientos a seguir por cualquier usuario. GE no proporciona servicio para el dispensador. Recomendamos que no intente proporcionar servicio al dispensador usted mismo.



Póngase en contacto con nosotros

GEAppliances.com

Si no está satisfecho con el servicio que recibe de GE, póngase en contacto con nosotros en nuestra página Web indicando todos los detalles así como su número de teléfono o escribanos a: General Manager,

Customer Relations
GE Appliances,
Appliance Park
Louisville, KY 40225

GARANTÍA LIMITADA POR DOS AÑOS

- **¿Qué cubre esta garantía?**
 - Cualquier defecto de fábrica en los materiales o la manufactura del producto.
 - **¿Qué no cubre esta garantía?**
 - Las botellas de agua.
 - Viajes a su casa para enseñarle cómo usar el producto.
 - Instalación inadecuada.
 - Falla del producto debido a abuso, mal uso, o alteración o uso diferente al propósito deseado con este producto.
 - Los productos que son usados fuera de un ambiente residencial o de oficina.
 - Reemplazo de los fusibles de la casa o el reajuste de los interruptores de circuito.
 - Uso de este producto donde el agua está microbiológicamente insegura o de calidad desconocida.
 - Daño al producto si es usado para dispensar otra cosa que no sea agua.
 - Daños causados al producto debido a accidentes, incendio, inundaciones o actos de la naturaleza.
 - Cualquier servicio al producto.
 - **Daños secundarios o por consecuencia causados por posibles defectos en el producto, su instalación o reparación.**
 - **¿Por cuánto tiempo después de la compra?**
 - Dos años.
 - **¿Cómo hago la reclamación de la garantía?**
 - Devuélvala al minorista a quien le compró el producto con una copia de “Proof of Purchase” (prueba de compra). Se le proporcionará una unidad nueva reacondicionada. Esta garantía excluye el costo de envío del producto a domicilio.
 - **¿Cómo la ley estatal se relaciona con esta reclamación de garantía?**
 - Esta garantía es extendida al comprador original y cualquier propietario subsecuente de productos comprados para uso residencial o de oficina dentro de Estados Unidos. **Algunos estados no permiten la exclusión o limitación de daños incidentales o consecuenciales. Esta garantía le da derechos específicos, y es posible que usted tenga otros derechos que variarán de estado a estado. Para conocer los derechos legales que usted tiene, consulte a la oficina de asuntos del consumidor de su estado o al Procurador general de su estado.**
- Exclusión de garantías implicadas: Excepto donde sea prohibido o restringido por la ley, no hay garantías, ni expresas, ni expresas ni estatutarias que se extiendan más allá de las descritas en aquí, incluyendo específicamente las garantías implicadas o mercantilidad o propiedad para un propósito en particular.**

Garante: General Electric Company, Louisville, KY 40225.

Consumer Support.



GE Appliances Website

GEAppliances.com

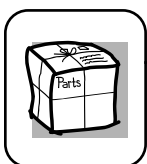
Have a question or need assistance with your appliance? Try the GE Appliances Website 24 hours a day, any day of the year! For greater convenience and faster service, you can now download Owner's Manuals, or even order parts and catalogs, on-line. You can also "Ask Our Team of Experts™" your questions, and so much more...



Real Life Design Studio

GEAppliances.com

GE supports the Universal Design concept—products, services and environments that can be used by people of all ages, sizes and capabilities. We recognize the need to design for a wide range of physical and mental abilities and impairments. For details of GE's Universal Design applications, including kitchen design ideas for people with disabilities, check out our Website today. For the hearing impaired, please call 800.TDD.GEAC (800.833.4322).

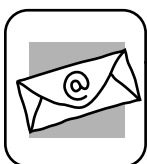


Parts and Accessories

GEAppliances.com

Individuals can have parts sent directly to their homes (VISA, MasterCard and Discover cards are accepted). Order on-line today, 24 hours every day or by phone at 800.626.2002 during normal business hours.

Instructions contained in this manual cover procedures to be performed by any user. GE does not support any servicing of the dispenser. We strongly recommend that you do not attempt to service the dispenser yourself.



Contact Us

GEAppliances.com

If you are not satisfied with the service you receive from GE, contact us on our Website with all the details including your phone number, or write to: General Manager, Customer Relations
GE Appliances, Appliance Park
Louisville, KY 40225

LIMITED 2-YEAR WARRANTY

- *What does this warranty cover?*
 - Any defect in materials or workmanship in the manufactured product.
 - *What does this warranty not cover?*
 - Water Bottles.
 - Service trips to your home to teach you how to use the product.
 - Improper installation.
 - Failure of the product if it is abused, misused, altered or used for other than the intended purpose.
 - Products that are used outside a residential or office environment.
 - Replacement of house fuses or resetting of circuit breakers.
 - Use of this product where water is microbiologically unsafe or of unknown quality.
 - Damage to the product if used to dispense anything other than water.
 - Damage to the product caused by accident, fire, floods or acts of God.
 - Any service to the product.
 - Incidental or consequential damage caused by possible defects with this appliance, its installation or repair.
 - *For how long after the original purchase?*
 - Two (2) years.
 - *How do I make a warranty claim?*
 - Return to the retailer from which it was purchased, along with a copy of the "Proof of Purchase." A new or reconditioned unit will be provided. This warranty excludes the cost of shipping the product to your home.
 - *How does state law relate to this warranty?*
 - This warranty is extended to the original purchaser and any succeeding owner for products purchased for home or office use within the USA. **Some states do not allow the exclusion or limitation of incidental or consequential damages. This warranty gives you specific legal rights, and you may also have other rights which vary from state to state. To know what your legal rights are, consult your local or state consumer affairs office or your state's Attorney General.**
- Exclusion of implied warranties: Except where prohibited or restricted by law, there are no warranties, whether express, oral or statutory which extend beyond the description on the face hereof, including specifically the implied warranties of merchantability or fitness for a particular purpose.**

Warrantor: General Electric Company, Louisville, KY 40225.

Free Manuals Download Website

<http://myh66.com>

<http://usermanuals.us>

<http://www.somanuals.com>

<http://www.4manuals.cc>

<http://www.manual-lib.com>

<http://www.404manual.com>

<http://www.luxmanual.com>

<http://aubethermostatmanual.com>

Golf course search by state

<http://golfingnear.com>

Email search by domain

<http://emailbydomain.com>

Auto manuals search

<http://auto.somanuals.com>

TV manuals search

<http://tv.somanuals.com>