



Geospring™ Hybrid Electric Residential Water Heaters

Important Safety Information ...2-4

Operating Instructions

Control Panel 5

Powering Unit 6

Temperature Setting 7

Operational Modes 8

Frequently Asked Questions (FAQ) .. 9

Appliance Communication
Module (ACM) 10

Care and Cleaning 11, 12

Installation Instructions 14-19

Troubleshooting Tips 20-21

Consumer Support 72

*ENERGY STAR® labeled product



As an ENERGY STAR® partner, GE has determined that this product meets the ENERGY STAR® guidelines for energy efficiency.

Write the model and serial numbers here:

Model # _____

Serial # _____

You can find them on the rating label on the front side of your water heater.

**Owner's Manual &
Installation Instructions**
GEH50DEED

Chauffe-eau résidentiel hybride électrique

**Manuel d'utilisation
et d'installation**

La section française commence à la page 24

Calentadores de agua residenciales eléctricos híbridos

**Manual del propietario
e instalación**

La sección en español empieza en la página 48

IMPORTANT SAFETY INFORMATION. READ ALL INSTRUCTIONS BEFORE USING.

⚠️ WARNING!

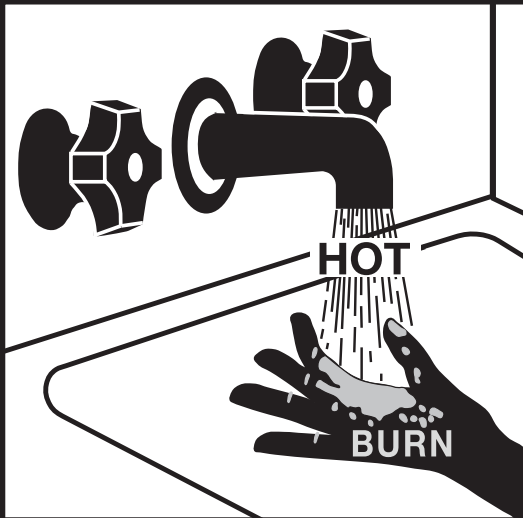
For your safety, the information in this manual must be followed to minimize the risk of fire or explosion, electric shock, or to prevent property damage, personal injury, or loss of life.

Be sure to read and understand the entire Owner's Manual before attempting to install or operate this water heater. It may save you time and cost. Pay particular attention to the Safety Instructions. Failure to follow these warnings could result in serious bodily injury or death. Should you have problems understanding the instructions in this manual, or have any questions, STOP and get help from a qualified service technician or the local electric utility.

WATER TEMPERATURE ADJUSTMENT

Safety and energy conservation are factors to be considered when selecting the water temperature setting via the water heater's user interface. Water temperatures above 125°F can cause severe burns or death from scalding. Be sure to read and follow the warnings outlined on the label pictured below. This label is also located on the water heater near the top of the tank.

⚠️ DANGER



Water temperature over 125°F can cause severe burns instantly or death from scalds.

The electronic temperature control setting usually approximates tap water temperature. However, factors could cause water temperature to reach 160°F regardless of the control setting. Always feel water before bathing and showering.

Children, disabled and elderly are at highest risk of being scalded.

See instruction manual before setting temperature at water heater.

Feel water before bathing or showering.

Temperature limiting valves are available; see manual.

Mixing valves for reducing point-of-use water temperature by mixing hot and cold water in branch water lines are available. Contact a licensed plumber or the local plumbing authority for further information.

Time/Temperature Relationship in Scalds

Temperature	Time to Produce a Serious Burn
120°F (49°C)	More than 5 minutes
125°F (52°C)	1-1/2 to 2 minutes
130°F (54°C)	About 30 seconds
135°F (57°C)	About 10 seconds
140°F (60°C)	Less than 5 seconds
145°F (63°C)	Less than 3 seconds
150°F (66°C)	About 1-1/2 seconds
155°F (68°C)	About 1 second

Table courtesy of Shriners Burn Institute

The chart shown above may be used as a guide in determining the proper water temperature for your home.

Thermostat has been set at the factory to 120°F (49°C) to reduce the risk of scald injury.

NOTE: Households with small children, disabled or elderly persons may require a 120°F (49°C) or lower thermostat setting to prevent contact with "HOT" water.

⚠️ DANGER: *There is a Hot Water SCALD Potential if the control water temperature is set too high.*

IMPORTANT SAFETY INFORMATION. READ ALL INSTRUCTIONS BEFORE USING.

GEAppliances.com

⚠ CAUTION!

Risk of Fire - Hydrogen gas can be produced in a hot water system served by this water heater that has not been used for a long period of time (generally two weeks or more). HYDROGEN GAS IS EXTREMELY FLAMMABLE!! To dissipate such gas and to reduce risk of injury, it is recommended that the hot water faucet be opened for several minutes at the kitchen sink before using any electrical appliance connected to the hot water system. If hydrogen is present, there will be an unusual sound such as air escaping through the pipe as the water begins to flow. Do not smoke or use an open flame near the faucet at the time it is open.

⚠ WARNING!

Risk of Fire - DO NOT store or use gasoline or other flammable vapors and liquids in the vicinity of this or any other appliance. Keep rags and other combustibles away.

⚠ FOR INSTALLATIONS IN THE STATE OF CALIFORNIA

California Law requires that residential water heaters must be braced, anchored or strapped to resist falling or horizontal displacement due to earthquake motions. For residential water heaters up to 52 gallon (236.4 L) capacity, a brochure with generic earthquake bracing instructions can be obtained from: Office of the State Architect, 400 P Street, Sacramento, CA 95814 or you may call 916.324.5315 or ask a water heater dealer.

Applicable local codes shall always govern installation. For residential water heaters of a capacity greater than 52 gallons (236.4 L) consult the local building jurisdiction for acceptable bracing procedures.

California Proposition 65 Warning: This product contains chemicals known to the State of California to cause cancer, birth defects or other reproductive harm.

SAVE THESE INSTRUCTIONS

Download from Www.Somanuals.com. All Manuals Search And Download.

IMPORTANT SAFETY INFORMATION.

READ ALL INSTRUCTIONS BEFORE USING.

⚠ WARNING:

If the water heater has been subjected to flood, fire, or physical damage, turn off power and water to the water heater.

Do not operate the water heater again until it has been thoroughly checked by qualified service personnel.

Safety Precautions

- A. Do** turn off power to water heater if it has been subjected to overheating, fire, flood or physical damage.
- B. Do Not** turn on water heater unless it is filled with water.
- C. Do Not** turn on water heater if cold water supply shut-off valve is closed.

NOTE: Flammable vapors may be drawn by air currents from surrounding areas to the water heater.

- D.** If there is any difficulty in understanding or following the Operating Instructions or the Care and Cleaning section, it is recommended that a qualified person or serviceman perform the work.

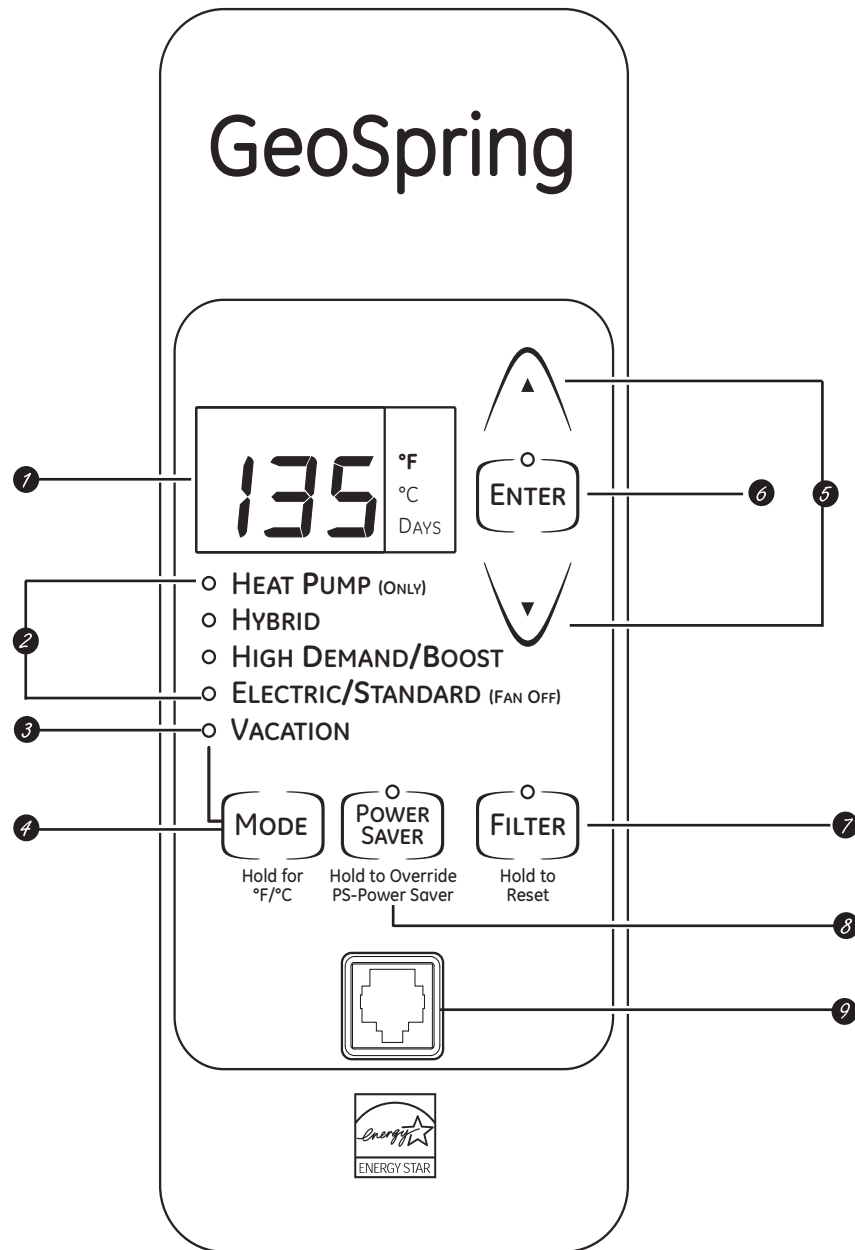
Safety Controls

The water heater is equipped with a temperature-limiting control (TCO) that is located above the heating element in contact with the tank surface. If for any reason the water temperature becomes excessively high, the temperature-limiting control (TCO) breaks the power circuit to the heating element. Once the control opens, it must be reset manually. Resetting of the temperature limiting controls should be done by a qualified service technician.

⚠ CAUTION: *The cause of the high temperature condition must be investigated by a qualified service technician and corrective action must be taken before placing the water heater in service again.*

To reset the temperature-limiting control:

- 1.** Turn off the power to the water heater.
- 2.** Remove the jacket access panel(s) and insulation. The thermostat protective cover should not be removed.
- 3.** Press the red RESET button.
- 4.** Replace the insulation and jacket access panel(s) before turning on the power to the water heater.



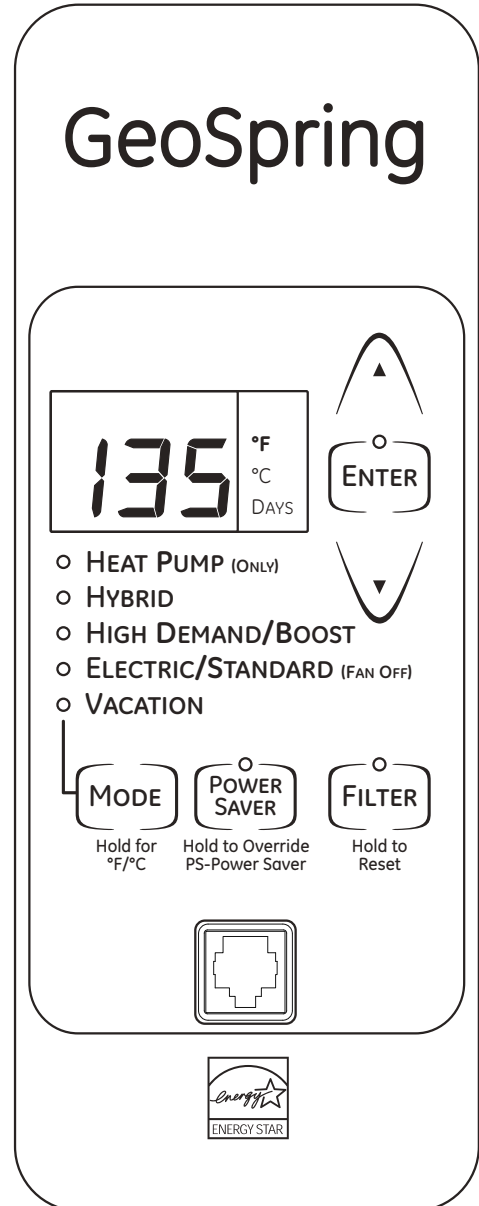
Control Features

- 1 Display**
- 2 Operating Modes**
(See page 8 for description)
- 3 Vacation**
(See page 8 for description)
- 4 Mode Selector**
Use this button to alternate between available modes.
- 5 Arrow Pads**
Use these buttons to adjust the temperature setting.
- 6 Enter Key**
- 7 Filter Reset**
The filter is dirty and requires cleaning when the Red light is illuminated. Filter is located on top of the water heater. Press button and hold for 5 seconds to reset filter alarm.
- 8 Power Saver Override**
For use with ACM module. Press and hold to bring unit out of Power Saver mode. Once pressed and Power Saver mode is cancelled, unit will remain out of Power Saver for the next 18 hours.
- 9 Appliance Communication Module Port**
For use with optional ACM module (see page 10 for details).

Turning on the water heater.

There is no power button for this unit. Once the water heater is wired and power is supplied, it will be on. The display will show the current water temperature setting. Current operating mode for the water heater is illuminated.

To comply with safety regulations, the controls are factory preset to 120°F (49°C) and Hybrid Mode. It is recommended that the unit be set to Heat Pump (only) mode to maximize energy savings. Operating in Hybrid mode provides a balance of energy savings and hot water use convenience. Reported energy consumption is based on operating the unit in Hybrid mode at a temperature setting of 135°F (57°C), and operation at lower temperature settings or in Heat Pump (only) mode will provide even greater energy savings.



Temperature setpoint:

Safety, energy conservation and hot water capacity are factors to be considered when selecting the water temperature setting of the water heater. To comply with safety regulations, the water temperature setpoint is factory set at 120°F (49°C). This is the recommended starting temperature setting.

NOTE: According to US Dept of Energy, the average residential water heater in the US is set at 135°F (57°C). GE GeoSpring™ Hybrid Water Heater's energy savings claims are based on a 135°F (57°C) temperature setting. The water temperature setpoint can be raised from the factory setting of 120°F to 135°F (49°C to 57°C) without sacrificing the claimed energy savings. If a lower temperature setting than 135°F (57°C) is used, greater savings in energy and operating costs may be achieved.

See "To Adjust the Temperature" section to change the water heater's temperature.

Hot water capacity:

If more hot water capacity is desired, increasing the temperature from 120°F to 135°F (49°C to 57°C) will enable the same tank of hot water to last about 25% longer because more cold water is mixed in at the shower or faucet.

Time/Temperature Relationship in Scalds

Temperature	Time to Produce a Serious Burn
120°F (49°C)	More than 5 minutes
125°F (52°C)	1-1/2 to 2 minutes
130°F (44°C)	About 30 seconds
135°F (57°C)	About 10 seconds
140°F (60°C)	Less than 5 seconds
145°F (63°C)	Less than 3 seconds
150°F (66°C)	About 1-1/2 seconds
155°F (68°C)	About 1 second

Table courtesy of Shriners Burn Institute

Risk of Scalding Reminder:

Water temperatures above 125°F (52°C) can cause severe burns or death from scalding. Be sure to read and follow the warnings outlined in this manual and on the label on the water heater. This label is located on the water heater near the upper element access panel.

See "Time/Temperature Relationship in Scalds" below as a guide in determining the proper water temperature for your home.

Mixing-valves:

Mixing valves for reducing point-of-use water temperature by mixing hot and cold water in branch water lines are available. Contact a licensed plumber or the local plumbing authority for further information.

⚠ DANGER: *There is a hot water scald potential if the water temperature is set too high. Households with small children, disabled, or elderly persons may require a 120°F (49°C) or lower thermostat setting to prevent contact with HOT water.*

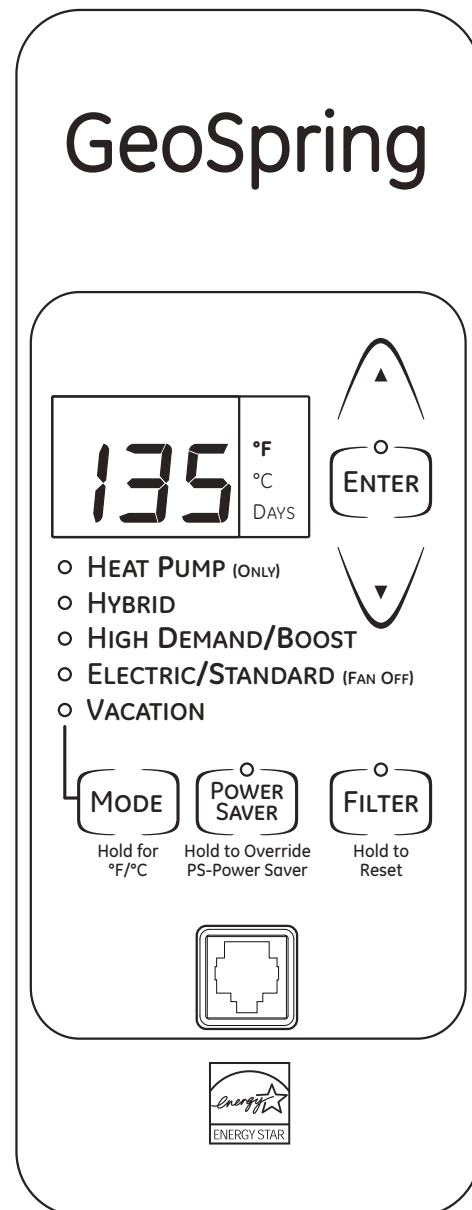
To Adjust the Temperature

Follow these steps:

1. Press the UP or DOWN arrow on the control panel key pad to desired temperature.
2. Press ENTER to accept the new setting.

Note: To change between °F and °C, press and hold MODE.

⚠ DANGER: *There is a Hot Water scald Potential if the water temperature is set too high. 120°F (49°C) is the recommended starting point for water temperature setting, but it can be adjusted to any temperature between 100°F and 140°F (38°C and 60°C).*



Operational Modes.

This water heater defaults to the Hybrid operating mode. Available modes are listed below and can be selected using the MODE button.

Heat Pump (only) Mode—RECOMMENDED FOR MAXIMUM SAVINGS

Heat Pump (only) is the most energy-efficient mode for this water heater. It takes heat from the surrounding air to heat the water. The time it takes to heat the water is longer in this mode, so it may not be sufficient if you have a high-demand situation such as a large household or company.

Hybrid Mode

Hybrid mode combines the energy efficiency of Heat Pump (only) with the recovery speed and power of the Electric (Fan off)/Standard (Fan off) mode in most water usage situations. Hybrid mode will allow the unit to perform like a standard electric water heater while providing significant energy savings.

NOTE: Reported unit performance, energy consumption and savings are based on Hybrid Mode operation at a temperature setting of 135°F (57°C).

High Demand/Boost

This mode may be necessary if your household has a higher-than-average water usage or the unit is undersized for the household water demands. In this mode, the unit will use the electric heating elements only when the water demand rate is high. When using the heating elements, the water temperature will recover at a faster rate but it will use more energy to heat it. Unlike Electric/Standard (Fan off) mode, it will use the heating elements only when needed, and use the heat pump when water demand rates are lower.

NOTE: The difference between Hybrid mode and High Demand/Boost mode is that in High Demand/Boost mode the heating resistive elements are activated sooner than in the Hybrid mode.

Electric (Fan off)/Standard (Fan off) Mode

This mode uses only the upper and lower heating resistance elements to heat the water. The time it takes to heat the water is less in this mode, but it is the LEAST energy-efficient mode.

NOTE: In this mode the green LED light will flash after 48 hours as an indication that the unit is not operating in the most energy efficient mode. The unit will continue to operate in this mode and does not indicate an operating issue.

Vacation

This feature is used when you will be away from the home for an extended period of time and hot water is not needed. In this mode, the unit will drop the water temperature down to 50°F (10°C) and will use the most efficient heating mode to conserve energy while the heater is sitting idle. The unit will automatically resume heating one day before your return, so that hot water will be available.

For example if you will be gone 14 days, follow these steps:

1. Select VACATION by using the Mode button
2. Input total days you will be gone (in this example, 14) by pressing the UP arrow button (the default is 7 days)
3. Press ENTER.

The unit will drop the water temperature down to 50°F (10°C) for one day less than you will be gone (in this example, for 13 days). At the end of the day before you return (in this example, the 13th day), it will automatically return to the previous operating mode and heat the water to the original temperature setting so hot water is available upon your return.

To access any of these modes:

1. Press the MODE button on the control to the desired operating mode.
2. The green light will be illuminated on the chosen mode.

Filter:

Q: Why is there a filter?

A: In Hybrid and Heat Pump (only) the unit moves air through the system. The filter protects the unit from dirt. A clean air filter improves efficiency.

Q: How to clean the filter?

A: Leave power on and remove filter from top of unit. Filter can be vacuumed clean or rinsed with warm water. A dirty filter will reduce water heater efficiency!

Modes:

Q: What is Heat Pump (only)?

A: Heat Pump (only) is the most-efficient mode. It takes heat from the air to heat water, thereby cooling the surrounding air. Slower recovery but most-efficient mode.

Q: What is Hybrid?

A: The Hybrid mode combines benefits of Heat Pump (only) with the speed and power of Standard Electric. This provides great performance with less energy.

Q: What is High Demand/Boost?

A: High Demand/Boost can be used when hot water usage is higher than normal. The unit will be less efficient but will heat water faster in response to long water draws. For all normal draws, the unit will still use the efficient Heat Pump the majority of the time.

Q: What is Vacation mode?

A: If you are gone for an extended period, this mode lowers the water temperature to reduce energy used. Unit will switch to the previous mode one day before you get back.

Q: What is Electric/Standard (Fan off) ?

A: Electric/Standard (Fan off) mode uses only the resistance heaters to heat the water. This gives faster hot water recovery than Hybrid mode, but uses more energy. This mode operates without the fan, stopping the cool air normally discharged during heat pump operation.

Q: Why does the Electric/Standard (Fan off) green LED flash ?

A: In this mode the green LED light will flash after 48 hours as an indication that the unit is not operating in the most energy efficient mode.

Operation:

Q: Why can I hear the unit run?

A: In the most energy-efficient modes, Heat Pump (only), Hybrid, and High Demand/Boost, the method used to heat the water uses a fan that can be heard while running.

Q: The heat pump is not running its normal length of time. What causes this?

A: Under some conditions, the GeoSpring™ Hybrid Water Heater will operate using the electric elements instead of the heat pump to protect your unit and ensure hot water is available to you. These conditions include extreme cold ambient temperature (<45°F), extreme hot ambient temperatures (>120°F), or very low voltage conditions. The unit will return to normal operation when conditions permit.

Appliance Communication Module (where installed).

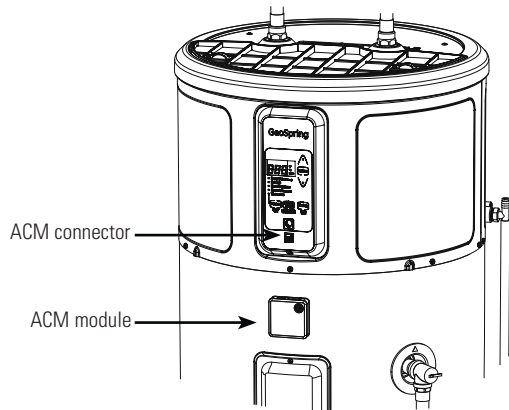
The Hybrid Electric heat pump water heater is compatible with the **GE Smart Appliance communication module (ACM)** which can be purchased separately. Contact your local utility or visit www.GEAppliances.com/Smart-Appliance to see if your area is using **ACM** technology. Applying the ACM allows the unit to respond to utility signals or to join a home network.

The following demand response features may be available as part of a pilot test program with the local utility company to help consumers reduce peak electricity usage in the home.

INSTALLATION

The ACM module is equipped with magnets in the base of the module that will enable it to be attached to the painted metal exterior of the heat pump water heater.

Details on how to connect the cables to the module are in the instructions that come with the module.



Once the cable from the ACM module is plugged into the water heater's connection, follow the power-up directions included with the ACM module. As soon as the ACM module is operating, the heat pump water heater is ready to receive the ACM signals.

QUICK GUIDE

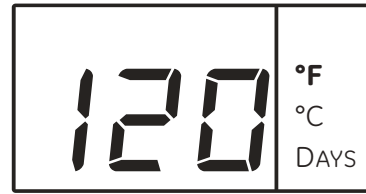
If your local utility company is utilizing ACM technology, the ACM module will receive the signals sent from your utility company. One of four signals will be sent:

- "Low" (represents lowest energy cost rate is available)
- "Medium" (represents increased energy cost rate)
- "High" (represents increased energy cost rate)
- "Critical" (represents "peak rate" energy cost rate)

A heat pump water heater equipped with a ACM module will automatically recognize what energy cost rate is available and adjust its mode and temperature setting to use less energy when rates are medium, high and critical. When the heat pump water heater responds to these signals, the LED light above the Power Saver button will be on, indicating energy pricing periods are in effect, and the letters PS will be displayed on the LED if the user attempts to change the temperature without first pressing the Power Saver override button.

When the signal is low or when no ACM module is connected, the unit runs as normal. The following steps show how the unit reacts to Medium, High and Critical signal levels.

When the ACM signal is **Medium**, the control will operate in Heat Pump (only) Mode and the water temperature will remain at the current user setting. If the current user temperature setting is 120°F the screen will display:



When the ACM signal is **High**, the control will operate in Heat Pump (only) mode, with a water temperature setting of 110°F, and the screen will display:



When the ACM signal is **Critical**, the control will operate in Heat Pump (only) mode, with a water temperature setting of 100°F, and the screen will display:



Notice: Appliance ACM connection carries voltage not compatible to computers or accessories. Do NOT plug laptops, modems, routers, etc into the Appliance RJ45 ACM connector. Use only with designated GE Appliance Accessories. Connection to computers and accessories may result in product damage.

When unit is operating in medium, high or critical, the LCD above the Power Saver button will be lit. If at any time you want to change the temperature setpoint while the unit is in Power Saver mode, press and hold the Power Saver button to override the Power Saver mode, then use the arrow buttons to change to the desired setting. Override will be in place for 18 hours. If you try to change the temperature without overriding the powersaver function, the letters PS will show on the display, indicating it is still in Powersaver mode.

Routine Preventive Maintenance

⚠ DANGER: Risk of Scald - Before manually operating the relief valve, make certain no one will be exposed to the danger of coming in contact with the hot water released by the valve. The water may be hot enough to create a scald hazard. The water should be released into a suitable drain to prevent injury or property damage.

NOTE: If the temperature and pressure-relief valve on the hot water heater discharges periodically, this may be due to thermal expansion in a closed water system. Contact the water supplier or your plumbing contractor on how to correct this. Do not plug the relief valve outlet.

Properly maintained, your water heater will provide years of dependable trouble-free service.

It is suggested that a routine preventive maintenance program be established and followed by the user.

Temperature and Pressure-Relief Valve:

At least once a year, lift and release the lever handle on the temperature and pressure-relief valve, located on the front-right side of the water heater, to make certain the valve operates freely. Allow several gallons to flush through the discharge line to an open drain.

Periodic Inspection (once a year):

It is further recommended that a periodic inspection of the operating controls, heating elements and wiring should be made by service personnel qualified in electric appliance repair.

Most electrical appliances, even when new, make some sound when in operation. If the hissing or singing sound level increases excessively, the electric heating element may require cleaning. Contact a qualified installer or plumber for inspection.

Flushing Tank:

A water heater's tank can act as a settling basin for solids suspended in the water. It is therefore not uncommon for hard water deposits to accumulate in the bottom of the tank. To clean the tank of these deposits, follow these steps:

1. Attach a garden hose to the drain valve located at the bottom of the unit and direct that hose to a drain.
2. Open the drain valve with a flat screwdriver.
3. Once a few quarts of water have been drained, close the drain valve.

This should be done with the cold water supply open such that water removed through drain valve is replaced, and water supply flow helps to remove sediment.

Draining the Water Heater

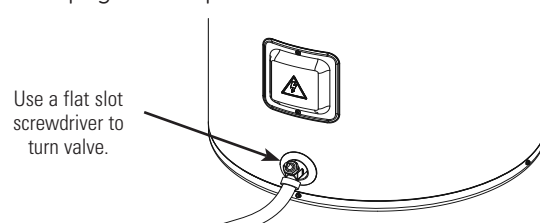
⚠ CAUTION: Risk of Shock - Shut off power to the water heater before draining water.

⚠ DANGER: Risk of Scald - Before manually operating the relief valve, make certain no one will be exposed to the hot water released by the valve. The water drained from the tank may be hot enough to present a scald hazard and should be directed to a suitable drain to prevent injury or damage.

To drain the water heater, follow these steps:

1. Attach a garden hose to the drain valve located at the bottom of the unit and direct that hose to a drain.
2. Turn off the cold water supply.
3. Admit air to the tank by opening a hot water faucet or lifting the handle on the relief valve
4. Open the drain valve with a flat screwdriver.

Note: See page 15 for product schematic.



Extended Shutdown Periods or Vacations Exceeding Vacation Mode Options

If the water heater is to remain idle for an extended period of time, the power and water to the appliance should be turned off to conserve energy and prevent a buildup of dangerous hydrogen gas. This unit has no power button, power can only be shut off at the circuit breaker or disconnect switch.

The water heater and piping should be drained if they might be subjected to freezing temperatures.

After a long shutdown period, the water heater's operation and controls should be checked by qualified service

personnel. Make certain the water heater is completely filled again before placing it in operation.

NOTE: Refer to the Hydrogen Gas Caution in the Operating Instructions (see page 3).

Care and cleaning of the water heater.

Cleaning the Filter

In the Hybrid, Heat Pump (only) and High Demand/Boost modes, the heater moves air through the system and out the back of the unit. The filter is in place to protect the evaporator from dirt and dust.

A clean air filter is important to get the highest efficiency. Occasionally this filter will need to be cleaned (minimum once per year). When the filter requires cleaning, the Red light above the Filter button will be illuminated and an audible beep will sound.

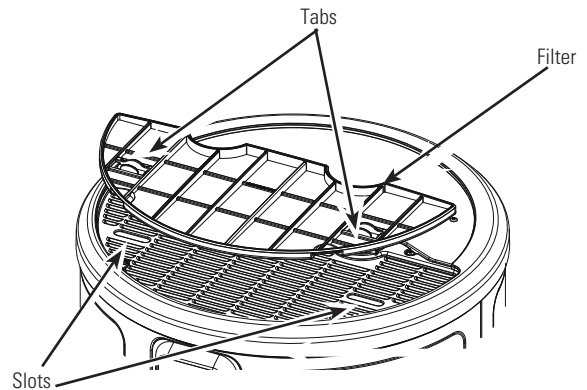
NOTE: If the filter gets too dirty, the unit will automatically switch to Electric (Fan off)/Standard (Fan off) mode and energy savings will be lost.

Leave the power on. Remove the filter from the top of the unit. Squeeze two tabs and lift to remove the air filter. Once it has been removed, the filter can be vacuumed or wiped clean with a damp cloth or rinsed with warm water.

Once the filter has been cleaned and dried, it can be replaced by aligning it into the slots in the top of the unit and pushing it down into place.

After the clean filter has been reinstalled, press and hold the **FILTER** button. If a heating cycle is on when the filter fault is reset, it will continue in electric mode to finish the cycle. After that, it will automatically revert to the mode it was in prior to being switched.

IMPORTANT: Filter must be cleaned when the alarm is displayed. A dirty filter will make the system work harder and result in a reduction of efficiency and possible damage to the system. In order to get the best energy efficiency available, make sure your filter is clean.

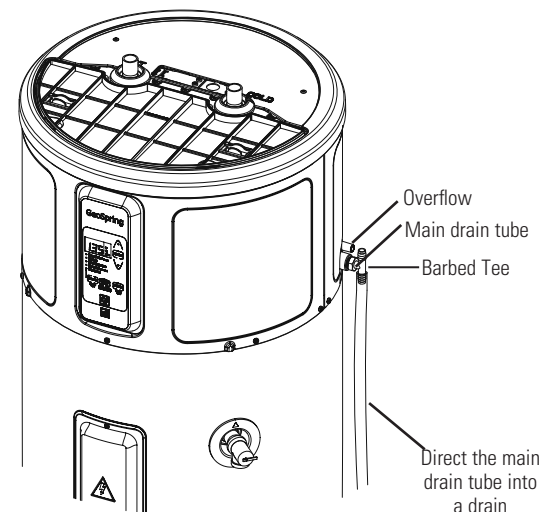


Clearing the Condensation Drain Tube

The main drain is intended to carry all condensate away. If it is clogged, the condensate will exit the overflow drain tube and onto the floor. This is intended as a notification to the user that the primary drain is clogged. Remove the barbed tee and drain tube, clear any debris and reattach.

Periodically inspect the drain lines and clear any debris that may have collected in the lines.

See Installation Instructions for more information.



Exterior Surfaces

Hand wash with warm water only.

Anode Rod

The anode rod should be removed from the water heater's tank and inspected after a maximum of 3 years service, then annually thereafter, and replaced when more than 6" (15.2 cm) of core wire is exposed at either end of the rod.

NOTE: Artificially softened water requires that the anode rod be inspected annually.

Due to shock hazard and to prevent accidental water leaks, this inspection should be done by a qualified servicer or plumber, and

requires that the electric power and cold water supply be turned off before servicing the anode rod.

NOTICE: Do not remove the anode rod from the water heater's tank except for inspection and/or replacement, as operation with the anode rod removed will shorten the life of the glass-lined tank and will void warranty coverage.

The anode rod consumption and replacement are not covered by warranty.

⚠ CAUTION - IMPORTANT SAFETY NOTICE

This information is intended to use by individuals possessing adequate background of electrical, electronic and mechanical experience. Any attempt to repair a major appliance may result in personal injury and property damage. The manufacturer or seller cannot be responsible for the interpretation of this information, nor can it assume any liability in connection with its use.

Tools needed:

- T20 Torx Screwdriver
- Slot Screwdriver
- Tape
- Socket Wrench
- Socket Extension 12" long
- 1 1/16" Socket
- Softset Sealant
- Anode Rod, if needed

* See page 72 for part ordering instructions

To service the Anode Rod:

1. Disconnect power, shut off the water supply, and partially drain one or two gallons from the water heater through the lower drain valve.
2. Remove the filter, trim ring, and front top cover as show in **Illustration A**.

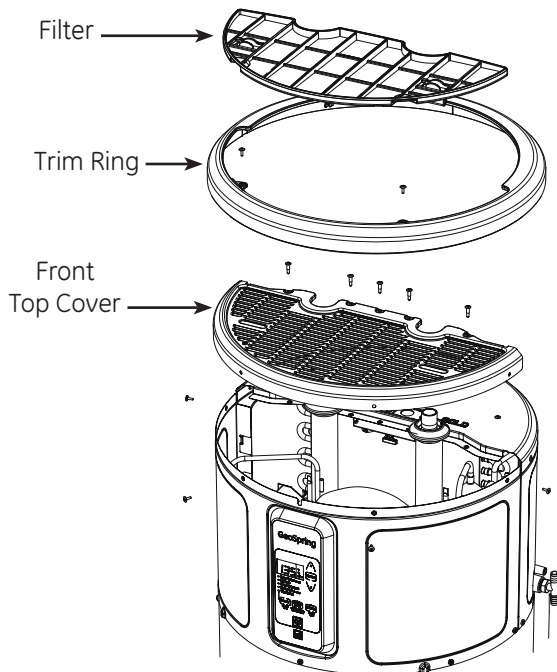


Illustration A

3. Reinstall the trim ring, place a protective layer of tape on sheet metal edges, and remove the anode rod cover as show in **Illustration B**.

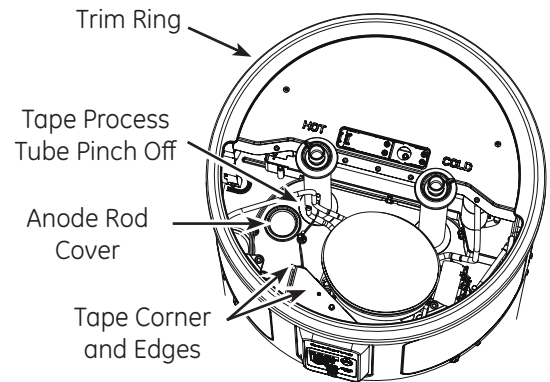


Illustration B

4. Using a slot screwdriver and ensuring to avoid damage to exposed wires, remove foam to uncover the anode rod as show in **Illustration C**.

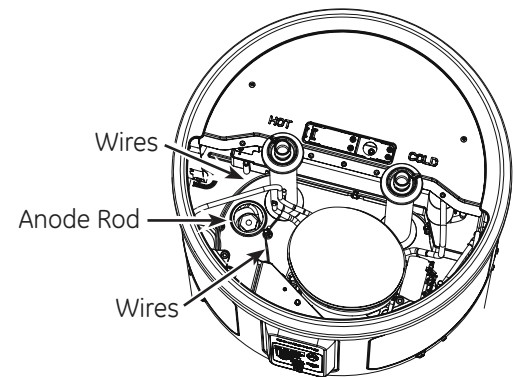


Illustration C

5. Using a 1 1/16" socket and extension, unscrew the anode rod, then lift out to inspect as show in **Illustration D**.

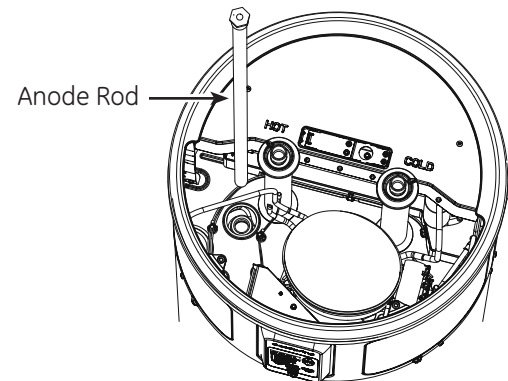


Illustration D

6. To install the anode rod, seal the threads with soft set sealant, thread into the port and using the torque wrench tighten to 50 ± 5 ft-lbs of torque. Reinstall the anode rod cover.
7. Turn water supply on, open a tap to remove any air in plumbing system, inspect for leaks, then turn the power on and reassemble the unit in reverse order as show in **Illustration A**.

Installation Instructions

The location chosen for the water heater must take into consideration the following:

LOCAL INSTALLATION REGULATIONS

This water heater must be installed in accordance with these instructions, local codes, utility codes, utility company requirements or, in the absence of local codes, the latest edition of the National Electrical Code. It is available from some local libraries or can be purchased from the National Fire Prevention Association, Batterymarch park, Quincy, MA 02169 as booklet ANSI/NFPA 70.

POWER REQUIREMENTS

Check the markings on the rating plate of the water heater to be certain the power supply corresponds to the water heater requirements. **NOTE:** 208V installations may experience lower performance.

LOCATION

Locate the water heater in a clean dry area as near as practical to the area of greatest heated water demand. Long uninsulated hot water lines can waste energy and water. Unit must be installed in a level location.

NOTE: This unit is designed for any common indoor installation including: garage, utility room, attic, closet, etc. With the installation of a louvered door, it can be installed in rooms smaller than 10' x 10' x 7' (700 cu.ft.). Louvers should be 240 square inches (0.15 m²) or greater. If two louvers are used one should be near the top of the door.

Place the water heater in such a manner that the air filter, cover, trim ring and front panels can be removed to permit inspection and servicing, such as removal of elements or cleaning of the filter.

The water heater and water lines should be protected from freezing temperatures and *high-corrosive atmospheres*. Do not install the water heater in outdoor, unprotected areas.

⚠ CAUTION: Risk of Property Damage - The water heater should not be located in an area where leakage of the tank or connections will result in damage to the area adjacent to it or to lower floors of the structure. Where such areas cannot be avoided, it is recommended that a suitable catch pan, adequately drained, be installed under the water heater. Attic installations require adequate flooring and access stairs.

NOTE: The heat pump operating range is 45°F to 120°F (7°C to 49°C). If the ambient temperature is outside of this range, the heat pump will turn off and the electric elements will be used until the ambient temperature returns to within the operating range.

LOCATION (CONT.)

WATER HEATER SIZING INFORMATION - READ BEFORE INSTALLING:

For existing home replacements:

- **Replacing an existing tank water heater?** If your current water heater has provided adequate hot water, and no other plumbing changes and/or renovations that would require additional hot water demand are in process or planned, then:
 - The GeoSpring™ Hybrid Water Heater can replace an equivalent size or smaller standard electric water heater.
 - If switching from gas to electric, the GeoSpring™ Hybrid Water Heater may replace the next size smaller gas tank type water heater.

For new construction installation:

Residential Water Heater Sizing Guide			
Family Size	Demand *	Gallon Capacity Recommended	
		Electric or GeoSpring™	Gas
5+	High	100 (378.5 L)	75 (283.9 L)
	Avg or Low	80 (302.8 L)	50 (189.3 L)
3 to 4	High	80 (302.8 L)	50-75 (189.3-283.9 L)
	Avg or Low	50 (189.3 L)	40 (151.4 L)
2 to 3	High	50 (189.3 L)	40-50 (151.4-189.3 L)
	Avg or Low	40 (151.4 L)	40 (181.8 L)
1 to 2	High	40-50 (151.4-189.3 L)	40-50 (151.4-189.3 L)
	Avg or Low	30 (113.6 L)	30 (113.6 L)

*Assumptions for Avg or Low Demand household:

- Use of standard or low flow shower heads (2.5 gpm/11.4 L per minute or less)
- No showers with multiple shower heads and/or body jets.
- Standard bathtub (no oversized/jetted tubs)

Water Heater Temperature Setpoint:

The water heater temperature setting strongly impacts the amount of usable hot water available for showers and baths.

- Energy consumption/savings and efficiency testing of water heaters, including the GeoSpring™, is performed at a 135°F (57°C) setting, the average water heater setting according to the Department of Energy. All savings for GeoSpring™ are based on hybrid mode operation at 135°F (57°C).
- Safety regulations require a factory setting of 120°F to 125°F (49°C to 52°C) max for all new water heaters. Therefore, if your water heater is currently set at 130°F (54°C) or above and your new water heater is installed with a factory set setpoint of 120°F (49°C), the new water heater may seem to provide lower capacity than your existing water heater.
- The user can adjust the temperature setting to meet their needs. Always read and understand the safety instructions contained in the users manual before adjusting the temperature setpoint.

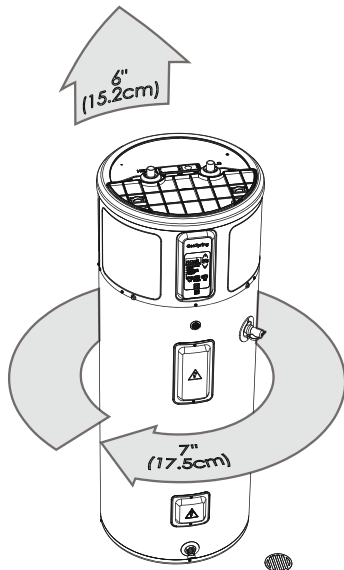
Installation Instructions

LOCATION (CONT.)

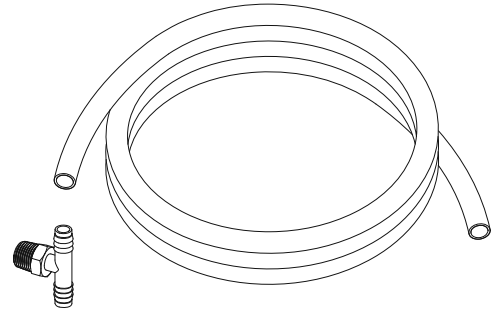
Required clearances:

There must be a 7" (17.5 cm) clearance between any object and the Front and Rear covers in the event service is needed. A minimum of 7" (17.5 cm) clearance with the sides of the water heater is also recommended for service access.

A 6" (15.2 cm) minimum clearance is required to remove the filter for cleaning. The hot and cold water plumbing and electrical connections must not interfere with the removal of the filter.



NONSTANDARD PARTS NEEDED:



- 1 - 3/8" x 6' Flexible Tubing
- 1 - 3/8" x 3/8" x 1/2" NPT Male Barbed Tee (supplied on some models)

THERMAL EXPANSION

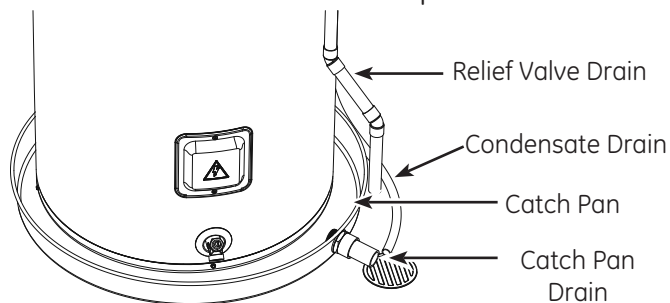
Determine if a check valve exists in the inlet water line. It may have been installed in the cold water line as a separate backflow preventer, or it may be part of a pressure-reducing valve, water meter or water softener. A check valve located in the cold water inlet line can cause what is referred to as a "**closed water system.**" A cold water inlet line with no check valve or backflow prevention device is referred to as an "open" water system.

As water is heated, it expands in volume and creates an increase in the pressure within the water system. This action is referred to as "**thermal expansion.**" In an "open" water system, expanding water which exceeds the capacity of the water heater flows back into the city main where the pressure is easily dissipated.

A "**closed water system,**" however, prevents the expanding water from flowing back into the main supply line, and the result of "**thermal expansion**" can create a rapid and dangerous pressure increase in the water heater and system piping. This rapid pressure increase can quickly reach the safety setting of the relief valve, causing it to operate during each heating cycle. Thermal expansion, and the resulting rapid and repeated expansion and contraction of components in the water heater and piping system, can cause premature failure of the relief valve, and possibly the heater itself. Replacing the relief valve **will not** correct the problem!

The suggested method of controlling thermal expansion is to install an expansion tank in the cold water line between the water heater and the check valve (refer to the illustration on page 15). The expansion tank is designed with an air cushion built in that compresses as the system pressure increases, thereby relieving the over-pressure condition and eliminating the repeated operation of the relief valve. Other methods of controlling thermal expansion are also available. Contact your installing contractor, water supplier or plumbing inspector for additional information regarding this subject.

Catch Pan Installation (If required)



NOTE: Auxiliary catch pan **MUST** conform to local codes. Catch Pan Kits are available from the store where the water heater was purchased, a builder store or any water heater distributor. The catch pan should be 2" (5.1 cm) minimum larger than the Water Heater base diameter. To prevent corrosion and improve Drain Valve access it is recommended that the water heater be placed on spacers inside the catch pan.

Condensation drain

The unit has a condensate drain; therefore a drain must be available in close proximity to the unit. The drain must be no higher than 36" (91.4 cm) above the floor (drain must meet state and local codes). If no drain is available, then a common condensate pump with a capacity no less than 1 gallon (3.8 L)/day must be purchased from a local builder supply store and installed.

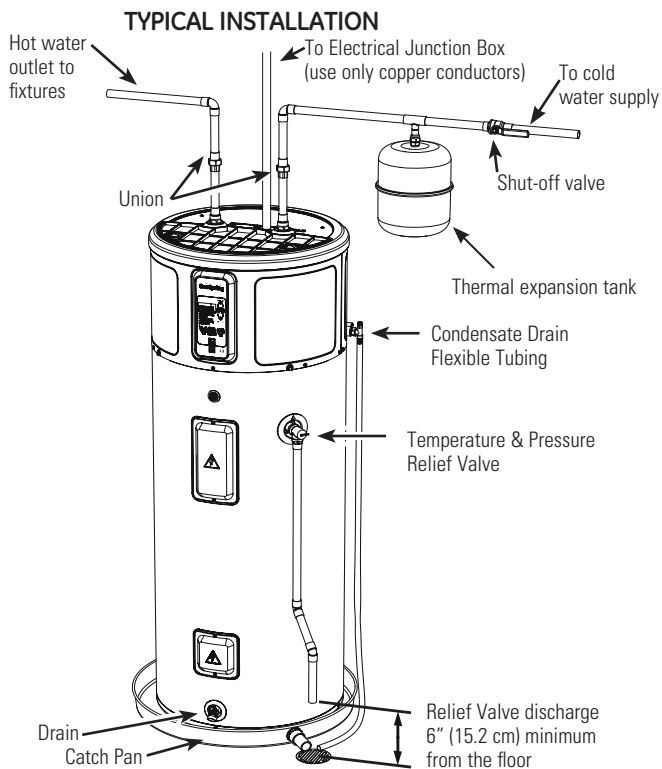
Installation Instructions

WATER SUPPLY CONNECTIONS

Refer to the illustration below for suggested typical installation. The HOT and COLD water connections are clearly marked and are $\frac{3}{4}$ " NPT on all models. When connecting to the inlet/outlet ports, the use of $\frac{3}{4}$ " female NPT tapered thread fittings with use of thread sealant is recommended. The installation of unions is recommended on the hot and cold water connections so that the water heater may be easily disconnected for servicing if necessary.

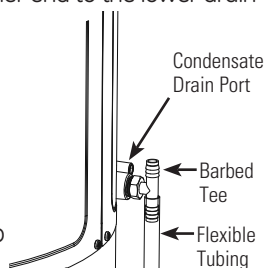
NOTE: Install a shut-off valve in the cold water line near the water heater. This will enable easier service or maintenance of the unit later.

IMPORTANT: Do not apply heat to the HOT or COLD water connections. If sweat connections are used, sweat tubing to adapter before fitting the adapter to the cold water connections on heater. Any heat applied to the hot or cold water connection will permanently damage the internal plastic lining in these ports.



CONDENSATION DRAIN CONNECTION

This unit has a condensation tray. The water collected in the tray drains out of the side of the unit. It is important to install a barbed tee and drain hose to the primary drain port coming off the side of the unit. Direct the other end to the lower drain port on the side of the unit. Plumb the other end to a drain in the floor or no higher than 3' (0.9 m) above the floor. If such drain is unavailable, a condensate drain pump (not provided) must be purchased and installed. The drain tube should be routed so that the discharge water cannot contact live electrical parts to eliminate potential water damage.



RELIEF VALVE

⚠ WARNING: *Risk of Unit Damage* - The pressure rating of the relief valve must not exceed 150 PSI (1.03 kPa), the maximum working pressure of the water heater as marked on the rating plate.

A new combination temperature and pressure-relief valve, complying with the Standard for Relief Valves and Automatic Gas Shut-Off Devices for Hot Water Supply Systems, ANSI Z21.22, is supplied and must remain installed in the opening provided and marked for the purpose on the water heater. No valve of any type should be installed between the relief valve and the tank. Local codes shall govern the installation of relief valves.

The BTUH rating of the relief valve must not be less than the input rating of the water heater as indicated on the rating label located on the front of the heater (1 watt=3.412 BTUH).

Connect the outlet of the relief valve to a suitable open drain so that the discharge water cannot contact live electrical parts or persons and to eliminate potential water damage.

Piping used should be of a type approved for hot water distribution. The discharge line must be no smaller than the outlet of the valve and must pitch downward from the valve to allow complete drainage (by gravity) of the relief valve and discharge line. The end of the discharge line should not be threaded or concealed and should be protected from freezing. No valve of any type, restriction or reducer coupling should be installed in the discharge line.

⚠ CAUTION:

To reduce the risk of excessive pressures and temperatures in this water heater, install temperature and pressure protective equipment required by local codes and no less than a combination temperature and pressure relief valve certified by a nationally recognized testing laboratory that maintains periodic inspection of production of listed equipment or materials, as meeting the requirements for Relief Valves and Automatic Gas Shutoff Devices for Hot Water Supply Systems, ANSI Z21.22. This valve must be marked with a maximum set pressure not to exceed the marked maximum working pressure of the water heater. Install the valve into an opening provided and marked for this purpose in the water heater, and orient it or provide tubing so that any discharge from the valve exits only within 6 inches above, or at any distance below, the structural floor, and does not contact any live electrical part. The discharge opening must not be blocked or reduced in size under any circumstances.

Installation Instructions

TO FILL THE WATER HEATER

⚠ WARNING: *Risk of Unit Damage* - The tank must be full of water before heater is turned on. The water heater warranty does not cover damage or failure resulting from operation with an empty or partially empty tank.

Make certain the drain valve is completely closed.
Open the shut-off valve in the cold water supply line.
Open each hot water faucet slowly to allow the air to vent from the water heater and piping.
A steady flow of water from the hot water faucet(s) indicates a full water heater.

F11" fault code during installation: If the unit is powered on without a full tank, the error code "F11" will show in the display. Turn off the power, fill the tank with water (see above), then turn the power back on.

NOTICE:

Do not mis-wire electrical connections. 240V AC or 208AC must be applied across L1 and L2 wires as shown in 'Water heater junction box' illustration. Failure to do so will VOID the warranty, and can result in 120V applied to water heater, which may damage the compressor or other electrical components.

If 4-conductor wire is supplied to the water heater, cap the neutral, and connect the remaining wires as illustrated.

NOTE REGARDING UTILITY POWER-MANAGEMENT DEVICES (Sometimes called Peak Load Reduction Switches):

Some power-management switching devices or even some basic timer switches exist that REDUCE voltage from 240V to 120V during high-electricity-demand periods. These devices must be removed from the circuit providing power to the water heater because of the potential unit damage noted above.

However, switching devices which cut power from 240V to 0V on a periodic basis are acceptable.

"bAd linE" fault code during installation: If "bAd linE" is shown on the display, the unit is not receiving the correct voltage as a result of incorrect wiring. To correct this fault, turn the power off to the unit, correct the wiring issue, then turn the power back on.

ELECTRICAL CONNECTIONS

A separate branch circuit with copper conductors, overcurrent protective device and suitable disconnecting means must be provided by a qualified electrician.

All wiring must conform to local codes or latest edition of National Electrical Code ANSI/NFPA 70.

The water heater is completely wired to the junction box at the top of the water heater. An opening for 1/2" electrical fitting is provided for field wiring connections.

The voltage requirements and wattage load for the water heater are specified on the rating label on the front of the water heater.

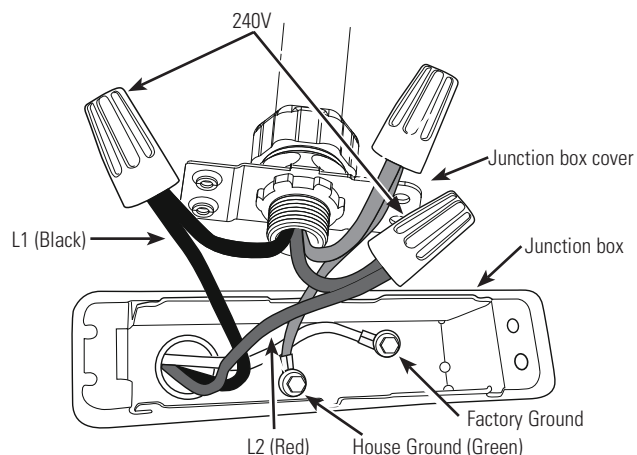
The branch circuit wiring should include either:

1. Metallic conduit or metallic sheathed cable approved for use as a grounding conductor and installed with fittings approved for the purpose.
2. Nonmetallic sheathed cable, metallic conduit or metallic sheathed cable not approved for use as a ground conductor shall include a separate conductor for grounding. It should be attached to the ground terminals of the water heater and the electrical distribution box.

To connect power to the water heater:

1. Turn the power off.
2. Remove the screw/screws holding the junction box top cover.
3. Install L1 to L1, L2 to L2 and ground to the green ground wire connected to the bottom of the junction box.

NOTE: Install electric connections according to local codes or latest edition of National Electrical Code ANSI/NFPA 70.



⚠ WARNING: Proper ground connection is essential. The presence of water in the piping and water heater does not provide sufficient conduction for a ground. Nonmetallic piping, dielectric unions, flexible connectors, etc., can cause the water heater to be electrically isolated. Do not disconnect factory ground.

Installation Instructions

The manufacturer's warranty does not cover any damage or defect caused by installation, attachment or use of any type of energy-saving or other unapproved devices (other than those authorized by the manufacturer) into, onto or in conjunction with the water heater. The use of unauthorized energy-saving devices may shorten the life of the water heater and may endanger life and property.

The manufacturer disclaims any responsibility for such loss or injury resulting from the use of such unauthorized devices.

If local codes require external application of insulation blanket kits, the manufacturer's instructions included with the kit must be carefully followed.

Application of any external insulation, blankets or water pipe insulation to this water heater will require careful attention to the following:

- Do not cover the temperature and pressure-relief valve.
- Do not cover access panels to the heating elements.
- Do not cover the electrical junction box of the water heater.
- Do not cover the operating or warning labels attached to the water heater or attempt to relocate them on the exterior of the insulation blanket.
- Do not block the air inlet/outlets in the top covers or rear of the unit.

NOTE: This guide recommends minimum branch circuit sizing based on the National Electric Code. Refer to wiring diagrams in this manual for field wiring connections.

BRANCH CIRCUIT SIZING GUIDE

Total Water Heater Wattage	Recommended Over-Current Protection (fuse or circuit breaker amperage rating)			
	208V	240V	277V	480V
3,000	20	20	15	15
4,000	25	25	20	15
4,500	30	25	25	15
5,000	30	30	25	15
5,500	35	30	25	15
6,000	40	35	30	20
8,000	50	45	40	25
9,000	-	50	45	25
10,000	-	-	50	30
11,000	-	-	50	30
12,000	-	-	-	35

Total Water Heater Wattage	Copper Wire Size AWG Based on N.E.C. Table 310-16 (167°F/75°C.)			
	208V	240V	277V	480V
3,000	12	12	14	14
4,000	10	10	12	14
4,500	10	10	10	14
5,000	10	10	10	14
5,500	8	10	10	14
6,000	8	8	10	12
8,000	8	8	8	10
9,000	-	8	8	10
10,000	-	-	8	10
11,000	-	-	8	10
12,000	-	-	-	8

Installation Instructions

INSTALLATION CHECKLIST

- 1. Tank location:**
 - Does room size require louvered door or similar ventilation? 10' x 10' x 7' (700 cu. ft.) or 240 square inches (0.15 m²) air-flow area needed.
 - Back of unit **away from wall** by 7 inches (17.5 cm), and sides have at least 7 inches (17.5 cm) clearance.
 - **Front** of unit is free and clear.
 - Is the water heater **level**? If no, add shims under the base of the unit.
- 2. Verify Air Filter** is installed. (Located in packaging).
- 3. Plumbing connections:**
 - Does not prevent **air filter** removal.
 - No leaks after **filling** the tank with water, either when water is flowing or not.
- 4. Condensate lines are in place:**
 - Main Drain flexible tubing installed.
- 5. Temperature and pressure-relief valve** is working and drain line completed per local code.
- 6. Electrical** verify 208/240 VAC to L1 and L2 at tank.
- 7. Electrical** connection does not prevent air filter removal.
- 8. Verify control panel** displays 120°F (49°C) Hybrid mode. Assist user in how to adjust temperature and modes (see "About the Water Temperature Setting" section on page 7).

WHAT TO EXPECT FOR "NORMAL STARTUP" IN HYBRID MODE

After the unit has been installed, with all electrical and water connections secure and checked, then the unit should be filled with water (vent tank by opening a hot water faucet somewhere in home to allow tank to fully fill with water). Once tank is full and power is energized, you may experience the following:

Elapsed Time	HEWH Actions	Comments
0 to 2 minutes	Unit will go through self-check.	This 2-minute off-time prevents compressor damage.
2 to 10 minutes	Compressor and fan turn on	This 8-minute period is used to ensure the tank is full of water (Dry-fire prevention algorithm).
10 to 30 minutes	Compressor and fan turn off, heating elements turn on for about 20 minutes	To quickly provide initial amount of hot water for user (about 25 gallons/94.6 L)
30 minutes and beyond	Upper element turns off and compressor turns back on	Uses efficient heat pump for majority of heating

NOTE: The heat pump operating range is 45°F to 120°F (7°C to 49°C). If the ambient temperature is outside of this range, the heat pump will turn off and the electric elements will be used until the ambient temperature returns to within the operating range.

Troubleshooting...



Before you call for service...
Save time and money! Review the chart below first and you may not need to call for service.

Problem	Possible Causes	What To Do
Water heater makes sounds	A fan is used to move air through the system.	<ul style="list-style-type: none"> Some amount of fan sound is normal. If you hear an abnormal sound or the sound level seems unusually loud, then contact service.
Water heater is making the room cooler	Room is not vented properly or is too small.	<ul style="list-style-type: none"> If the room is smaller than 10' x 10' x 7' (3m x 3m x 2.1m), then it must have a louvered door or other means to allow air exchange with surrounding rooms.
	Heat is removed from the air to heat the water	<ul style="list-style-type: none"> This is normal
Water dripping down the outside of the heater.	Condensate drain is clogged.	<ul style="list-style-type: none"> Clear out any debris in the drain port on the unit.
	Hot/Cold water connections are not tightened.	<ul style="list-style-type: none"> Tighten the inlet and outlet pipe connections.
Not enough or no hot water	Water temperature may be set too low.	<ul style="list-style-type: none"> See <i>About the Water Temperature Setting</i> section.
	Hot water usage pattern exceeds the capability of the water heater in current mode	<ul style="list-style-type: none"> Change to different mode
	Water usage may have exceeded the capacity of the water heater.	<ul style="list-style-type: none"> Wait for the water heater to recover after an abnormal demand
	Ambient temperature is too low	<ul style="list-style-type: none"> For the water heater to work properly, its location needs to have a temperature of 32° to 150°F for Standard Electric mode and 45° to 120°F for all other modes.
	Cold water inlet temperature may be colder during the winter months.	<ul style="list-style-type: none"> This is normal. The colder inlet water takes longer to heat.
	Leaking or open hot water faucets.	<ul style="list-style-type: none"> Make sure all faucets are closed.
	Long runs of exposed pipe, or hot water piping on outside wall.	<ul style="list-style-type: none"> Insulate piping.
	Not enough clearance to allow air to circulate for the heater pump.	<ul style="list-style-type: none"> Make sure unit is 7" away from the wall.
	Room size is not appropriate for water heater.	<ul style="list-style-type: none"> If room size is less than 10' x 10' x 7' (700 cu. ft.), install louvered door or similar ventilation.
	A fuse is blown or a circuit breaker tripped.	<ul style="list-style-type: none"> Replace fuse or reset circuit breaker.
	Electric service to your home may be interrupted.	<ul style="list-style-type: none"> Contact the local electric utility.
	Improper wiring.	<ul style="list-style-type: none"> See the <i>Installation Instructions</i> section.
	Manual reset limit (TCO).	<ul style="list-style-type: none"> See the <i>Safety Control</i> section, see page 4.
Water connections to unit reversed.	<ul style="list-style-type: none"> Correct piping connections. 	
Electric supply may be off.	<ul style="list-style-type: none"> Make sure electric supply to water heater is correct disconnect switch, if used, are in the ON position. 	

Problem	Possible Causes	What To Do
<i>Water is too hot</i>	<p>Water temperature is set too high.</p> <p>⚠ CAUTION: For your safety, DO NOT attempt repair of electrical wiring, controls, heating elements or other safety devices. Refer repairs to qualified service personnel.</p> <p>Electronic control has failed.</p>	<ul style="list-style-type: none"> • See <i>About the Water Temperature Setting</i> section. • Call for service.
<i>Rumbling noise</i>	Water conditions in your home caused a buildup of scale or mineral deposits on the heating elements.	<ul style="list-style-type: none"> • Remove and clean the heating elements. This should only be done by a qualified service personnel.
<i>Relief valve producing popping sound or draining</i>	Pressure buildup caused by thermal expansion to a closed system.	<ul style="list-style-type: none"> • This is an unacceptable condition and must be corrected. See Thermal Expansion Information on page 15. Do not plug the relief valve outlet. Contact a plumbing contractor to correct this.
<i>The heater is beeping and the display says F11</i>	The water heater has not been filled with water before powering up. Powering up the heater without water will damage the electric heaters. The water heater warranty does not cover damage or failure resulting from operation with an empty or partially empty tank.	<ul style="list-style-type: none"> • Fill the tank completely with water. Press ENTER to stop the alarm and then press POWER when the tank has been filled.
<i>The filter light is on.</i>	The filter requires cleaning. A clean filter is necessary for effective operation.	<ul style="list-style-type: none"> • Follow the instructions on how to remove and clean the filter on page 12.
<i>The heater is beeping and the screen says "FA-F8"</i>	There is an issue with the heat pump system.	<ul style="list-style-type: none"> • The unit will automatically switch to another available mode to ensure you continue to have hot water. Contact service immediately and give them the codes listed on the display screen.
<i>The heater is beeping and the screen flashes an error code</i>	There is an issue with the water heater that requires immediate attention.	<ul style="list-style-type: none"> • The heater may switch to another available heating mode. Contact service immediately. To stop the beeping noise (unless error code F2, F11 or bAd linE) press either the UP or down arrow button and the alarm will stop and the display will go back to normal (set temperature).
<i>The water heater is beeping and the screen flashes, "bAd linE"</i>	Unit is not receiving 240VAC as intend.	<ul style="list-style-type: none"> • Turn off power to water heater (generally at the breaker panel). Then read "Electrical Connections" section of Installation Instructions, see page 17. Then, contact the installer to verify electrical input to the water heater.
<i>Hot Water has a rotten egg or sulfur smell</i>	Certain water supplies with high sulfate content will react with the anode rod that is present in all water heaters for corrosion protection of the tank.	<ul style="list-style-type: none"> • The odor can be reduced or eliminated in most water heaters by replacing the anode rod with less-active material rod. In some cases, an added step of chlorinating the water heater and all hot water lines may be necessary, contact your local water professional or plumber for options and instructions. Call GE at 1.888.4GE.HEWH (1.888.443.4394) to learn how to purchase this replacement anode rod. A qualified servicer or plumber should do this replacement. Use of a non-GE approved anode rod, or operating the water heater without a GE approved anode rod will VOID the warranty.
<i>Unit is not making normal sounds</i>	If unit is using electric resistance elements, it will not make fan or compressor sounds.	<ul style="list-style-type: none"> • Check mode of unit.

For Service, please call 1.888.4GE.HEWH (1.888.443.4394)

Fault codes.

Fault Code Displayed	Condition	Action
F-A	T4 Not Rising	Call service
F-B	Discharge Temp Not Stable	Call service
F-C	Evaporator Not Frost Free	Call service
F-D	Superheat Too Low	Call service
F-E	Discharge Temperature Above Limit	Call service
F-F	Electronic Expansion Valve Out of Range	Call service
FG*	T5 Ambient Temperature Check	Technician service data
FH*	Compressor Load Test	Technician service data
FI*	Refrigerant Leak Test	Call service
F2	T2 Tank Temperature Sensor Failure	Call service
F3	Compressor Failure	Call service
F4	Fan Failure	Call service
F5	T3a Sensor (Evap inlet temperature) Failure	Call service
F6	T3b Sensor (Evap outlet temperature) Failure	Call service
F7	T4 Sensor (Compressor outlet) Failure	Call service
F8	T5 Sensor (ambient temperature) Failure	Call service
F9	Lower Heating Element Failure	Call service
F10	Upper Heating Element Failure	Call service
F11	Dry Tank Fault	See page 17
bAd linE (F12)	The voltage is too low at power-up	See page 17
F13	Stuck Key Fault	Call service
Dirty Filter (F14)	Filter is dirty	See page 12
F15	DataFlash Fault	Call service

* Some Models



All warranty service provided by our Authorized Servicer Network. To schedule service, call 888.4GE.HEWH (888.443.4394). Please have serial number and model number available when calling for service.

Staple your receipt here. Proof of the original purchase date is needed to obtain service under the warranty.

For The Period Of: We Will Replace:

<p>One Year From the date of the original purchase</p>	<p>Any part of the Hybrid Water Heater which fails due to a defect in materials or workmanship. During this limited one-year warranty, GE will also provide, free of charge, all labor and related service to replace the defective part.</p>
<p>Second through Tenth Year From the date of the original purchase</p>	<p>Any part of the Hybrid Water Heater which fails due to a defect in materials or workmanship. During this limited ten-year parts warranty, labor and related service to replace the defective part are not included.</p>

What Is Not Covered:

- Service trips to your home to teach you how to use the product.
- Improper installation, delivery or maintenance.
- Failure of the product if it is abused, misused, altered, used commercially or used for other than the intended purpose.
- Use of this product where water is microbiologically unsafe or of unknown quality, without adequate disinfection before or after the system.
- Replacement of house fuses or resetting of circuit breakers.
- Damage to the product caused by accident, lightning, fire, flood or acts of God.
- Incidental or consequential damage caused by possible defects with this appliance, its installation or repair.
- Product not accessible to provide required service in a safe manner. Attic installation must have flooring and accessible stairs.
- If product removed from original installation location.
- Damages, malfunctions or failure caused by the use of repair service not approved by GE.
- Damages, malfunctions or failure caused by the use of unapproved parts or components.
- Damages, malfunctions or failure caused by operating the heat pump water heater with the anode rod removed.
- Anode Rod consumption and replacement.
- Damages, malfunctions or failure resulting from operating the heat pump with an empty or partially empty tank.
- Damages, malfunctions or failure caused by subjecting the tank to pressure greater than those shown on the rating label.
- Damages, malfunctions or failure caused by operating the heat pump water heater with electrical voltage outside the voltage range listed on the rating label.
- Water heater failure due to the water heater being operated in a corrosive atmosphere.

EXCLUSION OF IMPLIED WARRANTIES—Your sole and exclusive remedy is product repair as provided in this Limited Warranty. Any implied warranties, including the implied warranties of merchantability or fitness for a particular purpose, are limited to one year or the shortest period allowed by law.

This warranty is extended to the original purchaser and any succeeding owner for products purchased for home use within the USA. If the product is located in an area where service by a GE Authorized Servicer is not available, you may be responsible for a trip charge or you may be required to bring the product to an Authorized GE Service location for service. In Alaska, the warranty excludes the cost of shipping or service calls to your home.

Some states do not allow the exclusion or limitation of incidental or consequential damages. This warranty gives you specific legal rights, and you may also have other rights which vary from state to state. To know what your legal rights are, consult your local or state consumer affairs office or your state's Attorney General.

For product purchased outside of the US, contact your dealer for Warranty and Service information.

Warrantor for Products Purchased in the United States: General Electric Company, Louisville, KY 40225.

**Importantes consignes
de sécurité**..... 25-27

Consignes d'utilisation

Panneau de commandes 28

Unité d'alimentation..... 29

Réglage de la température..... 30

Modes de fonctionnement..... 31

Foire aux questions (FAQ) 32

Module de communication de
l'appareil (ACM))..... 33

Entretien et nettoyage34, 35

Instructions d'Installation... 37-42

Conseils de Dépannage 43-44

Service à la clientèle 47

**Inscrivez les numéros de modèle
et de série ici :**

N° de modèle _____

N° de série _____

Vous trouverez ces numéros sur l'étiquette
apposée à l'avant de votre chauffe-eau.

INFORMATION IMPORTANTE SUR LA SÉCURITÉ.

LISEZ TOUTES LES INSTRUCTIONS AVANT L'UTILISATION www.electromenagersge.ca

⚠️ AVERTISSEMENT!

Pour votre sécurité, vous devez suivre les instructions contenues dans ce manuel pour réduire les risques d'incendie ou d'explosion, d'électrocution ou pour prévenir les dommages matériels, les blessures ou la mort.

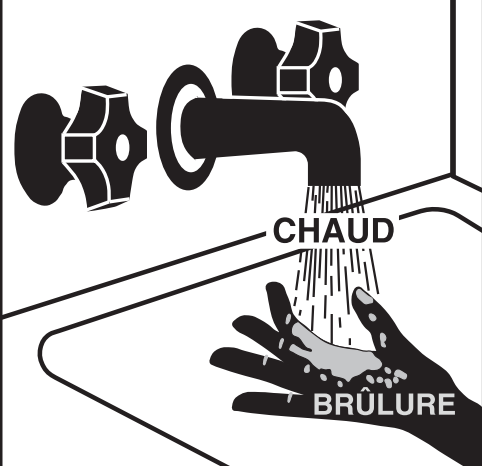
Assurez-vous de lire et de comprendre tout le manuel de l'utilisateur avant de tenter d'installer ou de faire fonctionner ce chauffe-eau. Vous sauvez du temps et de l'argent. Accordez une attention toute particulière aux directives de sécurité.

Tout manquement à ces avertissements peut occasionner des blessures graves ou la mort. Si vous avez de la difficulté à comprendre les instructions contenues dans ce manuel ou si vous avez des questions, ARRÊTEZ et demandez de l'aide à un technicien qualifié ou à votre fournisseur d'électricité.

RÉGLAGE DE LA TEMPÉRATURE DE L'EAU

La sécurité et la conservation de l'énergie sont des facteurs à considérer lors du réglage de la température de l'eau à l'aide de l'interface utilisateur du chauffe-eau. Une température de l'eau supérieure à 52 °C (125 °F) peut causer des brûlures graves ou la mort par ébullition. Assurez-vous de lire et de suivre les avertissements exposés sous l'image de l'étiquette ci-dessous. Cette étiquette est également sur le chauffe-eau près du dessus du réservoir.

⚠️ DANGER



L'eau à une température supérieure à 52 °C (125 °F) peut causer instantanément des brûlures graves ou la mort par ébullition.

Le réglage de la commande électronique de température est habituellement proche de la température de l'eau au robinet. Toutefois, certains facteurs peuvent causer une hausse de la température de l'eau pouvant aller jusqu'à 71 °C, peu importe le réglage de la commande. Touchez toujours l'eau avant de vous baigner ou de prendre votre douche.

Les enfants et les personnes handicapées ou âgées sont plus à risque de s'ébouillanter.

Consultez les instructions contenues dans ce manuel avant de régler la température du chauffe-eau.

Touchez l'eau avant de vous baigner ou de prendre votre douche.

Des valves de limitation de la température sont vendues; consultez ce manuel.

Il se vend des mélangeurs qui réduisent la température de l'eau au point d'utilisation en mélangeant de l'eau froide à l'eau chaude dans les canalisations de distribution. Communiquez avec un plombier certifié ou l'autorité en plomberie pour plus d'information.

Relation température/temps pour les brûlures

Température	Temps pour produire une brûlure grave
49 °C (120 °F)	Plus de 5 minutes
52 °C (125 °F)	1-1/2 à 2 minutes
54 °C (130 °F)	Environ 30 secondes
57 °C (135 °F)	Environ 10 secondes
60 °C (140 °F)	Moins de 5 secondes
63 °C (145 °F)	Moins de 3 secondes
66 °C (150 °F)	Environ 1-1/2 seconde
68 °C (155 °F)	Environ 1 seconde

Tableau courtoisie du Shriners Burn Institute

Vous pouvez utiliser le tableau ci-dessus comme pour déterminer la bonne température de l'eau pour votre maison.

REMARQUE : Les ménages avec des petits enfants ou des personnes handicapées ou âgées peuvent nécessiter un réglage du thermostat à 49 °C (120 °F) ou moins pour prévenir le contact avec de l'eau TROP CHAUDE.

⚠️ DANGER : Il existe une possibilité de S'ÉBOUILLANTER si le chauffe-eau est réglé à une température trop élevée.

CONSERVEZ CES INSTRUCTIONS

INFORMATION IMPORTANTE SUR LA SÉCURITÉ. LISEZ TOUTES LES INSTRUCTIONS AVANT L'UTILISATION.

▲ AVERTISSEMENT! *Risque d'incendie* - L'essence ainsi que d'autres substances et liquides inflammables (adhésifs, solvants, etc.) et les émanations qu'ils produisant sont extrêmement dangereux. NE PAS manipuler, utiliser ou entreposer de l'essence ou d'autres substances inflammables ou combustibles près d'un chauffe-eau. L'arc électrique à l'intérieur de la commande du chauffe-eau peut allumer ces émanations. Le manquement à cette directive peut entraîner des dommages matériels, des blessures ou la mort.

▲ AVERTISSEMENT!

Risque d'incendie - NE stockez PAS et N'utilisez PAS d'essence ou d'autres vapeurs et liquides inflammables à proximité de cet appareil ou de tout autre. Gardez les chiffons et combustibles à l'écart.

▲ POUR INSTALLATIONS DANS L'ÉTAT DE CALIFORNIE

Les lois de la Californie exigent que les chauffe-eau résidentiels soient fixés, ancrés ou attachés pour qu'ils ne tombent pas et qu'ils résistent aux mouvements horizontaux causés par les tremblements de terre. Pour les chauffe-eau résidentiels d'une capacité inférieure à 197 litres (52 gallons), vous pouvez vous procurer une brochure avec des instructions génériques de fixation pour les tremblements de terre en vous adressant à : Office of the State Architect, 400 P Street, Sacramento, CA 95814 ou vous pouvez téléphoner au 916.324.5315 ou demander à un distributeur de chauffe-eau.

Cependant, ce sont les codes municipaux applicables qui régissent l'installation. Pour les chauffe-eau résidentiels d'une capacité supérieure à 197 litres (52 gallons), adressez-vous aux autorités municipales pour connaître les procédures de fixation acceptables.

Avertissement en vertu de la Proposition 65 de la Californie : Ce produit contient des produits chimiques connus dans l'État de Californie comme causant le cancer, les malformations et autres défauts de naissance.

INFORMATION IMPORTANTE SUR LA SÉCURITÉ.

LISEZ TOUTES LES INSTRUCTIONS AVANT L'UTILISATION

www.electromenagersge.ca

⚠ AVERTISSEMENT :

Si le chauffe-eau a été soumis à une inondation, un incendie ou à des dommages matériels, coupez l'alimentation du chauffe-eau en électricité et en eau.

Ne pas utiliser le chauffe-eau tant qu'il n'a pas été complètement vérifié par un technicien de service qualifié.

Précautions de sécurité

- A. Coupez** l'alimentation au chauffe-eau si celui-ci a été soumis à une surchauffe, un incendie, une inondation ou des dommages physiques.
- B. Ne rallumez pas** le chauffe-eau s'il n'est pas rempli pas d'eau.
- C. Ne rallumez pas** le chauffe-eau si le robinet d'alimentation d'eau froide est fermé.

REMARQUE : *Des vapeurs inflammables provenant des zones environnantes peuvent être amenées par des courants d'air jusqu'au chauffe-eau.*

- D.** Si vous éprouvez des difficultés à comprendre les instructions d'utilisation suivantes ou la section d'entretien et nettoyage, nous vous suggérons de faire appel à une personne qualifiée pour accomplir le travail. the work.

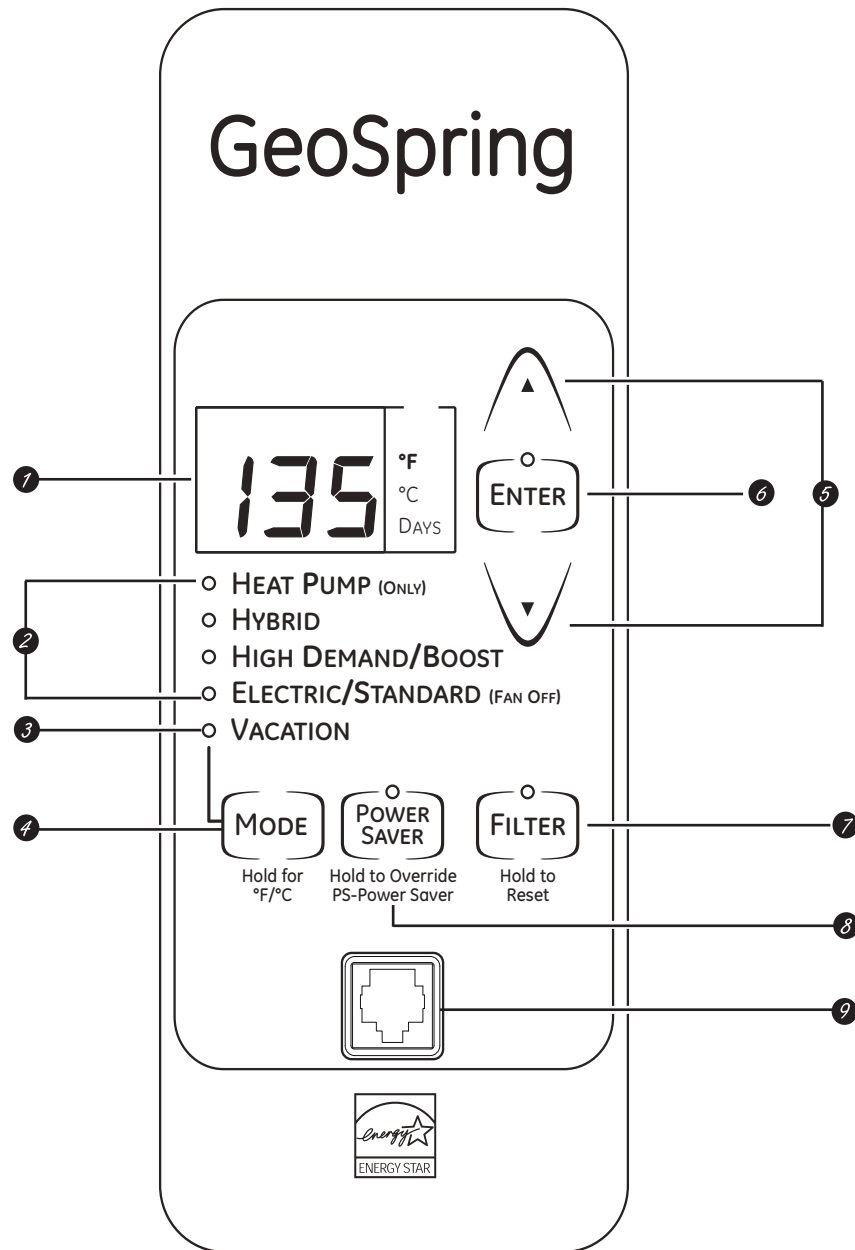
Commandes de sécurité

Le chauffe-eau est équipé de deux commandes de limitation de température (CLT) qui sont situées au-dessus de l'élément chauffant en contact avec la surface du réservoir. Si pour une raison quelconque, la température de l'eau devient excessivement chaude, la commande de limitation de température (CLT) coupe l'alimentation électrique de l'élément chauffant. Lorsque la commande se déclenche, elle doit être réinitialisée manuellement. La réinitialisation de la commande de limitation de température doit être effectuée par un technicien de service qualifié.

⚠ MISE EN GARDE: *La cause de la température élevée doit être déterminée par un technicien qualifié et des mesures de correction doivent être prises avant la remise en service du chauffe-eau.*

Pour réinitialiser la commande de limitation de température:

- 1.** Coupez l'alimentation électrique du chauffe-eau.
- 2.** Retirez le(s) panneau(x) d'accès et l'isolation.
Le couvercle de protection du thermostat ne doit pas être retiré.
- 3.** Appuyez sur le bouton rouge marqué RESET (réinitialiser).
- 4.** Replacez l'isolant et le/les panneau(x) d'accès avant de reconnecter le chauffe-eau à l'alimentation électrique.

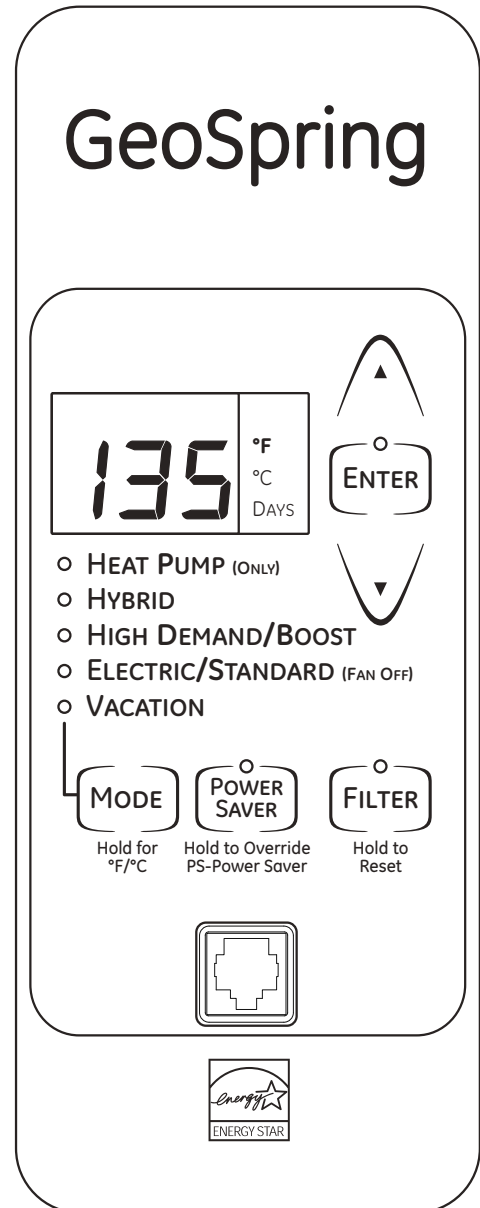


Commandes Fonctions

- 1 Affichage**
- 2 Modes de fonctionnement**
(Voir page 8 pour la description)
- 3 Vacation (Vacances)**
(Voir page 8 pour la description)
- 4 Sélection du mode**
Utilisez cette touche pour passer d'un mode à un autre.
- 5 Flèches**
Utilisez ces touches pour régler la température.
- 6 Touche Enter**
- 7 Réinitialisation du filtre**
Le filtre est sale et nécessite un nettoyage lorsque le témoin rouge est allumé. Le filtre est situé sur le dessus du chauffe-eau. Appuyez et maintenez appuyée cette touche pendant 5 secondes pour réinitialiser l'alarme de filtre.
- 8 Interrupteur de fonction d'économie d'énergie**
Pour une utilisation avec le module MCA. Appuyez sur cette touche et maintenez-la enfoncée pour sortir l'appareil du mode Économie d'Énergie. Après avoir enfoncé cette touche et lorsque le mode Économie d'Énergie a été désactivé, l'unité restera hors du mode Économie d'Énergie pendant 18 heures.
- 9 Port du module de communication de l'appareil**
Pour une utilisation avec le module ACM en option (voir page 10 pour plus d'informations).

Cet appareil n'a pas d'interrupteur. Une fois le chauffe-eau installé et l'alimentation électrique branchée, il sera allumé. L'écran affichera le réglage de la température d'eau. Le mode de fonctionnement en cours pour le chauffe-eau est allumé.

Pour se conformer aux règlements de sécurité, les commandes sont pré-réglées en usine à 120°F (49°C) et au mode Hybrid (Hybride). Il est recommandé que l'appareil soit mis sur le mode Thermopompe (uniquement) pour favoriser les économies d'énergie. Le fonctionnement en mode hybride permet d'équilibrer les économies d'énergie avec le confort de l'eau chaude. La consommation énergétique indiquée est basée sur le fonctionnement de l'appareil en mode Hybride à une température de 135°F (57°C). Un réglage à une température inférieure ou une utilisation de la thermopompe (uniquement) permettra une économie d'énergie encore plus importante.



Au sujet du réglage de la température de l'eau.

Point de consigne de la température :

La sécurité, la conservation d'énergie et la capacité de production d'eau chaude sont des facteurs dont vous devez tenir compte lors de la sélection de la température d'eau par le biais de l'interface utilisateur du chauffe-eau. Pour se conformer aux règlements de sécurité, la température de l'eau est réglée en usine à 120°F (49°C). Cette température est celle recommandée pour commencer.

REMARQUE : Selon Département de l'Énergie des États-Unis, le chauffe-eau résidentiel moyen aux États-Unis est réglé à 135°F (57°C). Les économies d'énergie potentielles du chauffe-eau hybride GE GeoSpring™ sont basées sur un réglage de la température à 135°F (57°C). La température de l'eau peut donc être augmentée du point réglé en usine de 120°F à 135°F (49°C à 57°C) sans sacrifier les économies d'énergie calculées. Si la température est réglée à une température inférieure à 135°F (57°C), des économies d'énergie et de fonctionnement légèrement supérieures peuvent être atteintes.

Consultez le paragraphe « Réglage de la température » ci-dessous pour modifier la température de l'eau.

Capacité en eau chaude :

Si vous souhaitez obtenir une plus grande capacité d'eau, le fait d'augmenter la température de 120 à 135°F (49°C à 57°C) permet au même réservoir d'eau de durer environ 25 % plus longtemps, car davantage d'eau froide est mélangée au robinet.

Relation température/temps pour les brûlures

Température	Temps pour produire une brûlure grave
49°C (120°F)	Plus de 5 minutes
52°C (125°F)	1-1/2 à 2 minutes
44°C (130°F)	Environ 30 secondes
57°C (135°F)	Environ 10 secondes
60°C (140°F)	Moins de 5 secondes
63°C (145°F)	Moins de 3 secondes
66°C (150°F)	Environ 1-1/2 secondes
68°C (155°F)	Environ 1 seconde

Tableau courtoisie du Shriners Burn Institute

Rappel concernant le risque de brûlure:

Une eau à une température supérieure à 125°F (52°C) peut provoquer de graves brûlures pouvant entraîner la mort. Assurez-vous d'avoir lu et suivi les avertissements donnés sur les étiquettes ainsi que ceux présentés dans ce manuel. Cette étiquette est également située sur le chauffe-eau près du panneau d'accès de l'élément supérieur.

Consultez le paragraphe "Relation entre le temps d'exposition et la température de l'eau concernant les brûlures" ci-dessous pour déterminer la température de l'eau appropriée pour votre domicile.

Robinets mélangeurs:

Des robinets mélangeurs qui réduisent la température de l'eau au point d'utilisation en mélangeant l'eau des conduites d'eau chaude et d'eau froide sont disponibles. Contactez un plombier certifié ou une compagnie de plomberie locale pour obtenir de plus amples renseignements.

⚠ DANGER: Il existe une possibilité de s'ébouillanter si le chauffe-eau est réglé à une température trop élevée. Les ménages avec des petits enfants ou des personnes handicapées ou âgées peuvent nécessiter un réglage du thermostat à 49 °C (120 °F) ou moins pour prévenir le contact avec de l'eau TROP CHAUDE.

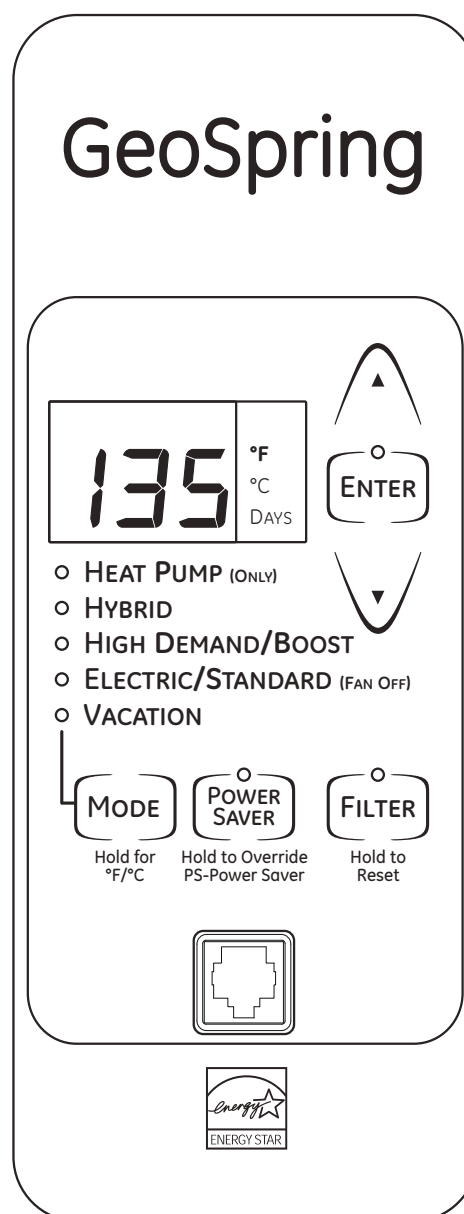
Pour régler la température de l'eau

Veillez suivre les étapes suivantes:

1. Appuyez sur les flèches vers le Haut ou vers le Bas sur le clavier de commande pour arriver à la température désirée.
2. Appuyez sur ENTER (Entrée) pour accepter la nouvelle valeur.

Remarque : Pour passer de °F à °C, appuyez sur la touche **MODE** et maintenez-la enfoncée

⚠ DANGER: Il existe un risque de brûlure par l'eau chaude si le thermostat est réglé à une température trop élevée. La température de 120°F (49°C) est celle recommandée pour commencer, mais elle peut être ajustée à une température entre 100 et 140°F (38 et 60°C).



Ce chauffe-eau revient par défaut au mode de fonctionnement hybride. Les différents modes sont donnés ci-dessous et peuvent être sélectionnés grâce à la touche MODE.

Mode Thermopompe (uniquement) - RECOMMANDE POUR DES ECONOMIES D'ENERGIE MAXIMALES

La thermopompe (uniquement) est le mode de fonctionnement le plus d'économique pour ce chauffe-eau. Il extrait la chaleur de l'air ambiant pour chauffer l'eau. Le temps de chauffage dans ce mode est plus long, donc il pourrait ne pas suffire dans une situation de demande importante (famille nombreuse ou visiteurs).

Mode Hybride

Le mode Hybride associe l'efficacité énergétique de la Thermopompe (uniquement) à la vitesse de récupération et d'alimentation du mode électrique standard (Ventilateur éteint) adapté pour la majorité des utilisations d'eau. Le mode hybride permettra à l'appareil de fonctionner comme un chauffe-eau électrique standard tout en offrant des économies d'énergie significatives.

REMARQUE: La performance, la consommation et les économies énergétiques sont basées sur un fonctionnement en mode hybride à un réglage de la température de 135°F (57°C).

Demande élevée/Demande optimale

Ce mode est seulement nécessaire si vous consommez plus que la moyenne des gens ou si l'unité est sous-dimensionnée pour la demande en eau chaude. Dans ce mode, l'unité utilise les éléments chauffants électriques seulement lorsque la demande en eau est plus importante qu'à la normale. Avec l'utilisation des éléments chauffants, la température d'eau remontera plus rapidement, mais la consommation d'énergie sera plus importante. Contrairement au mode Électrique/Standard (ventilateur éteint), les éléments chauffants seront utilisés uniquement si nécessaire. La thermopompe sera utilisée si la demande en eau est plus faible.

REMARQUE: La différence entre le mode Hybride et le mode Demande élevée/Boost est que dans le mode à Demande élevée/Boost, les éléments chauffants sont mis en marche plus rapidement que dans le mode hybride.

Mode Électrique (Ventilateur éteint)/Standard (Ventilateur éteint)

Ce mode utilise uniquement les éléments chauffants supérieurs et inférieurs pour chauffer l'eau. Le temps nécessaire pour chauffer l'eau est moindre dans ce mode, mais ce mode est le plus énergivore.

REMARQUE: Dans ce mode le voyant vert clignotera après 48 heures pour signaler que l'appareil ne fonctionne pas dans le mode le plus éconergétique. L'appareil continuera de fonctionner dans ce mode et il n'indique pas un problème de fonctionnement.

Vacances

Cette fonction est utilisée lorsque vous êtes absent de votre domicile pour une durée prolongée et l'eau chaude n'est pas nécessaire. Dans ce mode, la température de l'eau descendra à 50°F (10°C) et l'appareil utilise le mode de chauffage le plus efficace pour économiser l'énergie lorsque le chauffe-eau est au repos. L'appareil se remettra automatiquement à chauffer l'eau un jour avant votre retour, de sorte que vous ayez une réserve d'eau chaude à votre retour.

Par exemple, si vous êtes absent pendant 14 jours, suivez les étapes suivantes:

1. Sélectionnez VACANCES en utilisant la touche Mode
2. Entrez le nombre de jours d'absence (dans cet exemple, 14) en appuyant sur la flèche vers le HAUT (la valeur par défaut est de 7 jours)
3. Appuyez sur ENTER (Entrée).

Le chauffe-eau conservera la température de l'eau à 50°F (10°C) pendant la durée de votre absence moins 1 jour (dans cet exemple, pendant 13 jours). A la fin du jour précédent votre retour (dans cet exemple, le 13ème jour), le chauffe-eau revient automatiquement au mode de fonctionnement précédent et chauffe l'eau à la température d'origine afin que de l'eau chaude soit disponible dès votre retour

Pour accéder à un de ces modes:

1. Appuyez sur la touche MODE (Mode) pour sélectionner le mode de fonctionnement approprié.
2. Le voyant lumineux vert s'allumera sur le mode sélectionné.

Foire aux questions.

Filtre:

Q: Pourquoi y a-t-il un filtre?

A: En mode Hybride et Thermopompe (uniquement), l'appareil fait circuler de l'air dans le système. Le filtre protège l'appareil contre la saleté. Un filtre à air propre améliore l'efficacité du chauffe-eau.

Q: Comment nettoyer le filtre?

A: Ne coupez pas l'alimentation et retirez le filtre du haut de l'appareil. Le filtre peut être nettoyé avec un aspirateur ou rincé à l'eau tiède. Un filtre sale réduit l'efficacité du chauffe-eau.

Modes:

Q: Qu'est que le mode Thermopompe (uniquement)?

A: Le mode Thermopompe (uniquement) est le mode le plus efficace. Il extrait la chaleur de l'air ambiant pour chauffer l'eau, refroidissant du même coup l'air alentour. Ce mode prend plus de temps à chauffer l'eau mais il est également le mode le plus efficace.

Q: Qu'est-ce que le mode Hybride?

A: Le mode Hybride combine les avantages du mode Thermopompe (uniquement) avec la vitesse et la puissance du mode Électrique Standard. Il offre d'excellentes performances tout en consommant moins d'énergie.

Q: Qu'est-ce que le mode Demande élevée?

A: Le mode Demande Élevée/Boost peut être utilisé lorsque la consommation d'eau chaude est plus élevée qu'à la normale. L'appareil sera moins efficace mais chauffera l'eau plus rapidement après une consommation importante. Pour une consommation normale, l'appareil continuera d'utiliser la thermopompe la plupart du temps.

Q: Qu'est-ce que le mode de Vacances ?

A: Si vous êtes absent pendant une période prolongée, ce mode réduit la température de l'eau pour réduire la consommation d'énergie. L'appareil revient au mode précédent le jour qui précède votre retour.

Q: Qu'est-ce que le mode Électrique/Standard (ventilateur éteint) ?

A: Le mode Électrique/Standard (ventilateur éteint) utilise uniquement la résistance pour chauffer l'eau. Cela permet de chauffer l'eau plus rapidement qu'en mode Hybride, mais accroît également la consommation. Ce mode fonctionne sans ventilateur, arrêtant la production d'air frais normalement rejeté pendant le fonctionnement de la thermopompe.

Q: Pourquoi le voyant vert Électrique/Standard (ventilateur éteint) clignote-t-il?

A: Dans ce mode, le voyant vert clignotera après 48 heures pour signaler que l'appareil ne fonctionne pas dans le mode le plus éconergétique.

Fonctionnement:

Q: Pourquoi puis-je entendre le fonctionnement de l'appareil ?

A: Aux modes les plus éco énergétiques (Thermopompe, Hybride et Demande élevée/Boost), la méthode utilisée pour chauffer l'eau utilise un ventilateur qui produit un certain bruit.

Q: La thermopompe ne fonctionne pas aussi longtemps que prévu. Pourquoi ?

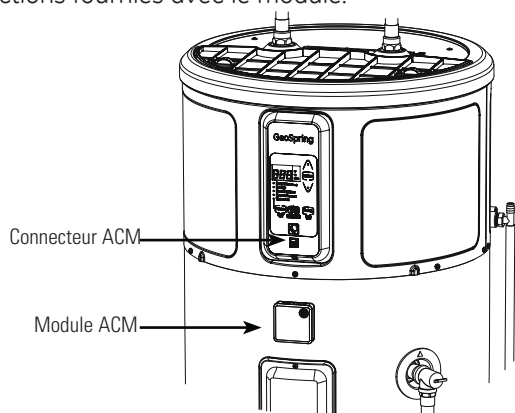
A: Dans certaines conditions, le chauffe-eau hybride GeoSpring™ va fonctionner en utilisant les éléments électriques au lieu de la pompe à chaleur pour protéger votre appareil et s'assurer que de l'eau chaude est disponible. Ces conditions incluent une température ambiante extrêmement basse (<45°F) ou extrêmement élevée (>120°F) ou encore une très basse tension. L'appareil reprendra son fonctionnement normal dès que les conditions atmosphériques ou d'alimentation le permettent.

Le chauffe-eau électrique hybride à thermopompe est compatible avec le module de communication **GE Smart Appliance (ACM)** qui peut être acheté séparément. Pour savoir si la technologie **ACM** est offerte dans votre région, contactez vos services publics locaux ou consultez le site www.GEAppliances.com/Smart-Appliance. L'utilisation de l'**ACM** permet à l'appareil de répondre aux signaux de vos services publics locaux ou d'adhérer à un réseau domestique.

Les fonctions de distribution à la demande sont offertes dans le cadre d'un projet pilote organisé par les services publics de votre localité afin d'aider les consommateurs à diminuer leur consommation d'électricité en période de pointe.

MONTAGE

Le module ACM est équipé d'aimants dans sa base qui lui permet d'être fixé à la partie métallique peinte extérieure du chauffe-eau à thermopompe. Les détails relatifs au branchement des câbles au module sont donnés dans les instructions fournies avec le module.



Lorsque le câble du module ACM est branché au chauffe-eau, suivez les instructions de mise en marche comprises avec le module ACM. Dès que le module ACM est en marche, le chauffe-eau à thermopompe est prêt à recevoir les signaux ACM.

GUIDE RAPIDE

Si les services publics de votre localité utilisent la technologie ACM, le module ACM recevra les signaux transmis par les services publics. Un des quatre signaux suivants sera envoyé :

- « Faible » (indique que le plus faible coût énergétique est disponible)
- « Moyen » (indique un coût énergétique croissant)
- « Élevé » (indique un coût énergétique croissant)
- « Critique » (indique un coût énergétique maximal)

Un chauffe-eau à thermopompe doté d'un module ACM reconnaît automatiquement le coût énergétique disponible et adapte son mode et le réglage de sa température pour utiliser moins d'énergie lors de la transmission des signaux Moyen, Élevé et Critique. Lorsque le chauffe-eau à thermopompe répond à ces signaux, le LED au-dessus du bouton d'Économie d'Énergie sera allumé indiquant les coûts d'électricité en vigueur. Les lettres « PS » s'affichent si l'utilisateur essaie de modifier la température sans avoir appuyé sur le bouton pour désactiver la fonction Économie d'Énergie.

Lorsque le signal ACM est Moyen, la commande fonctionne en mode Thermopompe (uniquement) et la température de l'eau reste au réglage en vigueur fait par l'utilisateur. L'écran affiche le message suivant (où xxx est le réglage de la température actuel):



Lorsque le signal ACM est Élevé, la commande fonctionne en mode Thermopompe (uniquement) et la température de l'eau réglée à 110°F (43°C) et l'écran affiche le message suivant:



Lorsque le signal ACM est Critique, la commande fonctionne en mode Thermopompe (uniquement) et la température de l'eau réglée à 100°F (38°C) et l'écran affiche le message suivant :



A noter : La tension du courant qui circule dans une connexion ACM n'est pas compatible avec les ordinateurs et les périphériques. NE BRANCHEZ PAS des modems, routeurs, etc. d'ordinateurs portatifs dans la prise RJ45 ACM pour appareils électroménagers. Ne l'utilisez uniquement qu'avec des accessoires d'électroménagers GE. La connexion à des ordinateurs et autres accessoires peuvent endommager le produit.

Lorsque l'appareil fonctionne aux coûts énergétiques moyen, élevé ou critique, l'écran LCD au dessus du bouton Économie d'Énergie sera allumé. Si, à tout moment, vous souhaitez modifier la température de consigne alors que l'appareil est en mode Économie d'Énergie, appuyez et maintenez enfoncée la touche Économie d'Énergie pour annuler la fonction Économie d'Énergie, puis utilisez les flèches pour modifier le réglage. Cette fonction sera désactivée pendant 18 heures. Si vous essayez de modifier la température sans désactiver la fonction Économie d'Énergie, les lettres PS s'affichent à l'écran, indiquant qu'il est encore en mode d'Économie d'Énergie.

Entretien et nettoyage.

Entretien préventif

⚠ DANGER: Risque de brûlure - Avant d'utiliser la soupape de sécurité, assurez-vous que personne ne sera exposé à l'eau chaude dégagée par cette soupape. L'eau peut être assez chaude pour créer un risque de brûlure. L'eau doit être envoyée vers une bonde de vidange pour éviter toutes blessures ou tous dommages matériels.

REMARQUE : Si une soupape de sécurité du chauffe-eau s'ouvre régulièrement, il s'agit peut-être d'une expansion thermique dans un circuit d'alimentation d'eau fermé. Contactez votre fournisseur d'eau ou votre plombier pour savoir comment corriger cette situation. Ne bouchez pas la soupape de sécurité.

Correctement entretenu, votre chauffe-eau vous fournira des années de service sans tracas.

Nous vous suggérons de suivre un programme d'entretien préventif.

Soupape de sécurité (température et pression):

Au moins une fois par an, soulevez et relâchez la poignée de la soupape de sécurité sur le côté droit à l'avant du chauffe-eau afin de vous assurer qu'elle fonctionne librement. Laissez s'écouler quelques litres d'eau par la canalisation de vidange jusqu'à une bonde de vidange ouverte.

Inspection périodique (une fois par an):

De plus, il est recommandé de faire effectuer une inspection périodique des commandes, des éléments chauffants et du câblage par un technicien qualifié dans la réparation d'appareils électroménagers électriques.

La plupart des appareils électriques, même neufs, font du bruit lorsqu'ils sont en marche. Si les sifflements ou le niveau sonore augmentent de manière excessive, il est peut-être nécessaire de nettoyer l'élément chauffant. Contactez un installateur qualifié ou un plombier pour une inspection.

Vidange du réservoir :

Un réservoir de chauffe-eau peut agir comme un décanteur pour les solides en suspension dans l'eau. Il n'est donc pas rare de voir s'accumuler des dépôts d'eau dure dans le fond du réservoir. Pour éliminer ces dépôts du réservoir, suivez ces étapes:

1. Fixez un tuyau d'arrosage au robinet de vidange situé au bas de l'appareil et dirigez-le vers une bonde.
2. Ouvrez le robinet de vidange à l'aide d'un tournevis à tête plate.
3. Après avoir vidangé quelques litres d'eau, fermez le robinet de vidange.

Ceci doit être fait avec l'alimentation en eau froide ouverte de façon à ce que l'eau vidangée par le robinet de vidange soit remplacée. Le débit d'eau aidera à éliminer les sédiments.

Vidange du chauffe-eau

⚠ MISE EN GARDE : Risque de décharge électrique - Coupez l'alimentation au chauffe-eau avant de vider l'eau.

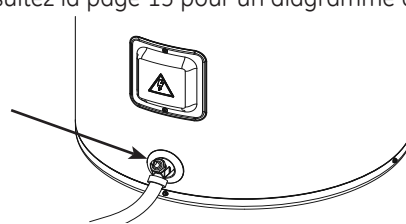
⚠ DANGER: Risque de brûlure - Avant d'utiliser la soupape de sécurité, assurez-vous que personne ne sera exposé à l'eau chaude vidangée par la soupape. L'eau vidangée du réservoir peut être suffisamment chaude pour présenter un risque de brûlure et doit être envoyée vers une bonde de vidange pour éviter toutes blessures ou tous dommages matériels.

Pour vidanger le chauffe-eau, suivez les étapes suivantes :

1. Fixez un tuyau d'arrosage au robinet de vidange situé au bas de l'appareil et dirigez-le vers une bonde.
2. Fermez l'alimentation en eau froide.
3. Laissez entrer de l'air dans le réservoir en ouvrant un robinet d'eau chaude ou soulevant la poignée du robinet de vidange.
4. Ouvrez le robinet de vidange à l'aide d'un tournevis à tête plate.

Remarque : Consultez la page 15 pour un diagramme du produit.

Utilisez un tournevis plat pour faire tourner le robinet..



Fermeture pour vacances ou absence prolongée dépassant la durée de l'option Vacances

Si le chauffe-eau n'a pas à être utilisé pendant une période prolongée, l'alimentation en électricité et en eau à l'appareil devrait être coupée afin de réduire la consommation et d'empêcher l'accumulation de gaz hydrogène dangereux. Cet appareil n'est pas équipé d'un bouton de mise en marche, l'alimentation électrique peut uniquement être coupée par le disjoncteur ou l'interrupteur principal.

Le chauffe-eau et la tuyauterie devraient être vidangés s'il y a risque de gel.

Après une période d'arrêt prolongée, le fonctionnement et les commandes du chauffe-eau devraient être vérifiés par un technicien qualifié. Assurez-vous que le chauffe-eau est complètement rempli avant de le remettre en place.

REMARQUE : Reportez-vous à la rubrique de mise en garde relative au gaz hydrogène dans les instructions d'utilisation (voir page 3).

Nettoyage du filtre

Dans les modes Hybride (uniquement), Thermopompe et Demande élevée, le chauffe-eau déplace l'air dans le système et le fait ressortir à l'arrière de l'appareil. Le filtre est en place pour protéger l'évaporateur de la saleté et la poussière.

Un filtre à air propre est nécessaire pour une meilleure efficacité. Parfois, ce filtre devra être nettoyé (au minimum une fois par an). Lorsque le filtre doit être nettoyé, le témoin rouge au-dessus de la touche Filtre s'allume et un signal sonore est émis.

REMARQUE: Si le filtre est trop sale, l'appareil passe automatiquement au mode Électrique (Ventilateur éteint)/ Standard (Ventilateur éteint) et les économies d'énergie seront perdues.

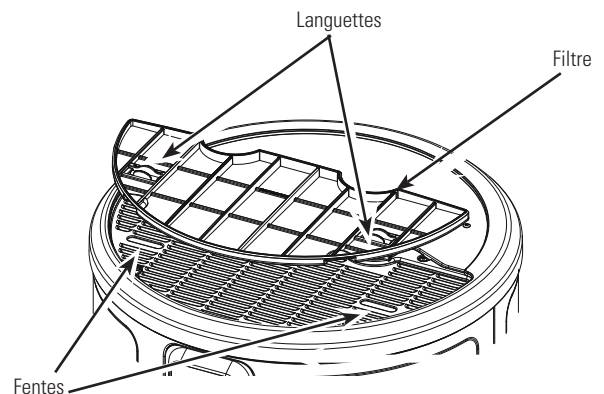
Ne coupez pas l'alimentation. Retirez le filtre par le dessus de l'appareil. Appuyez sur les deux languettes et soulevez pour retirer le filtre à air. Après avoir été retiré, le filtre peut être nettoyé avec un aspirateur, essuyé avec un chiffon humide ou rincé à l'eau tiède.

Lorsque le filtre a été nettoyé et séché, il peut être remis en place en l'alignant dans les fentes sur le dessus de l'appareil et en le poussant vers le bas pour l'enclencher.

Après avoir remis le filtre propre en place, appuyez sur le bouton FILTER (filtre) et maintenez-le appuyé pendant 3 secondes.

Si un cycle de chauffage est en marche lorsque l'alarme du filtre est acceptée, ce cycle va continuer en mode électrique pour terminer le cycle. Après cela, il reviendra automatiquement au mode précédent le nettoyage du filtre.

IMPORTANT: Le filtre doit être nettoyé lorsque l'alarme s'affiche. Un filtre sale rend plus difficile le travail du système et peut entraîner une réduction de l'efficacité, voire endommager le système. Afin d'obtenir le meilleur rendement éco énergétique, assurez-vous que le filtre est propre.

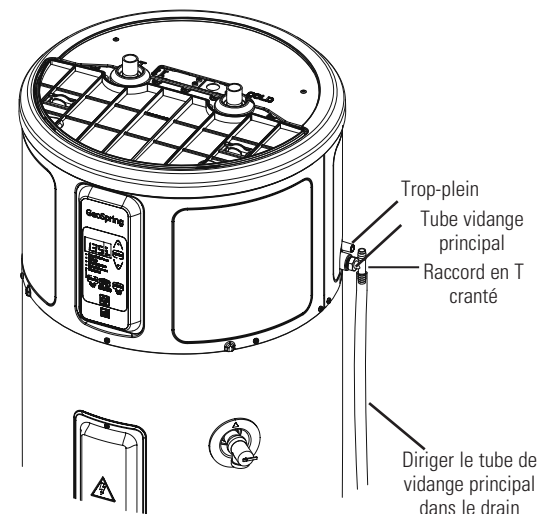


Débouchage du tuyau de vidange de la condensation

Le tuyau de vidange principal est destiné à éliminer toute la condensation. S'il est bouché, le condensat sera éliminé par le tuyau de trop-plein et s'écoulera au sol. Ceci est conçu pour prévenir l'utilisateur que le tuyau de vidange principal est bouché. Retirez le raccord en T cranté et le tube de vidange, nettoyez les débris et remettez-le en place.

Inspectez régulièrement les tuyaux de vidange et nettoyez tous les débris qui auraient pu s'y accumuler.

Consultez les instructions d'installation pour de plus amples informations.



Surfaces Extérieures

Laver à la main avec de l'eau tiède seulement.

Tige d'anode

La tige de l'anode doit être retirée du réservoir du chauffe-eau et inspectée après un maximum de 3 ans de service, chaque année ensuite, et remplacée lorsque plus de 15,2 cm (6 po) de l'âme sont exposés à l'une ou l'autre des extrémités de la tige.

REMARQUE : L'eau adoucie artificiellement exige que la tige de l'anode soit inspectée annuellement.

En raison des risques de choc électrique, et pour éviter toute fuite d'eau accidentelle, cette inspection devrait être effectuée par un

technicien ou plombier qualifié. De plus, elle exige la coupure de l'alimentation en eau avant le retrait de la tige d'anode.

A NOTER : Ne retirez pas la tige d'anode du réservoir à d'autres moments que pendant une inspection ou un remplacement, puisqu'une utilisation sans tige d'anode réduit la durée utile du réservoir à revêtement de verre et annule la garantie.

La consommation et le remplacement de la tige d'anode ne sont pas couverts par la garantie.

Entretien et réparation de la tige d'anode.

ATTENTION-CONSIGNES DE SÉCURITÉ IMPORTANTES

Cette information est destinée aux personnes qui possèdent une compétence adéquate en électricité, électronique et mécanique. Toute tentative de réparer un gros appareil peut causer des blessures corporelles et des dommages aux biens. Le fabricant ou le vendeur ne peuvent être tenus responsables de l'interprétation ou de l'utilisation de cette information.

Outils requis :

- Tournevis Torx T20.
 - Tournevis à lame plate.
 - Ruban.
 - Clé à douille.
 - Rallonge de douille 12 po.
 - 1 douille.
 - Scellant Softset.
 - Tige d'anode si nécessaire.
- * Voir la page 72 pour la commande de pièces.

Pour réparer la tige d'anode:

1. Coupez l'alimentation électrique, fermez l'alimentation d'eau et vidangez un ou deux gallons du chauffe-eau par le robinet de drainage inférieur.
2. Retirez le filtre, l'anneau de garniture et le couvercle frontal supérieur comme indiqué à l'illustration A.

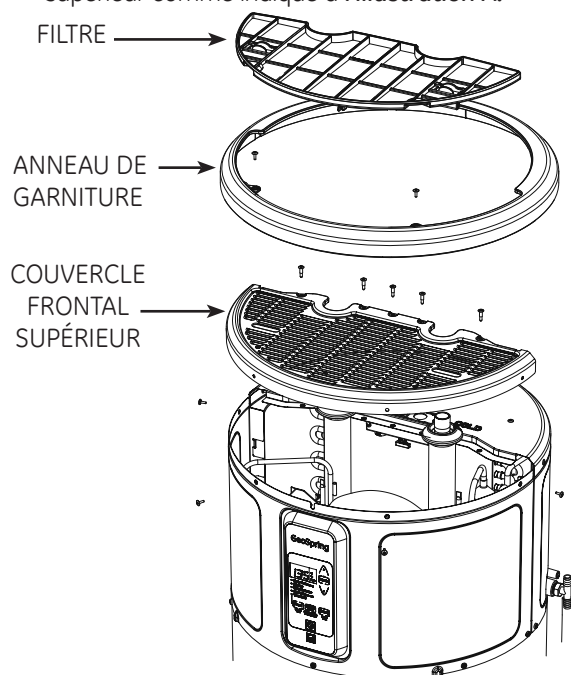


Illustration A

3. Réinstallez l'anneau de garniture, placez une couche de ruban protectrice sur les bords métalliques et retirez le couvercle de la tige d'anode comme indiqué à l'illustration B.

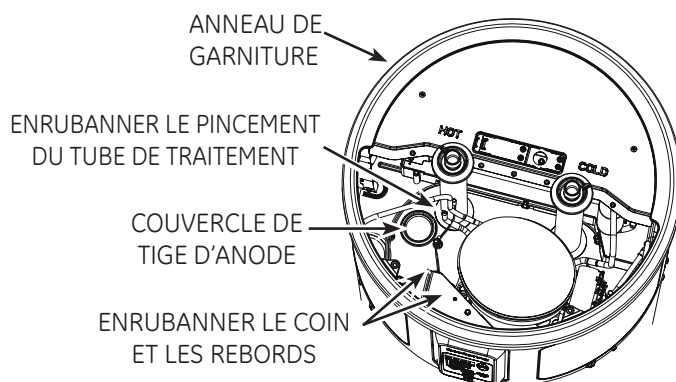


Illustration B

4. À l'aide d'un tournevis à lame plate et veillant à ne pas endommager les fils exposés, retirez la mousse qui recouvre la tige d'anode comme indiqué à l'illustration C.

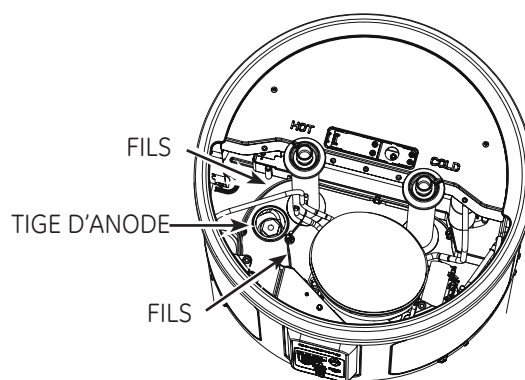


Illustration C

5. À l'aide d'une douille 1 1/16 po et d'une rallonge, dévissez la tige d'anode, puis soulevez-la pour inspecter de la manière indiquée à l'illustration D.

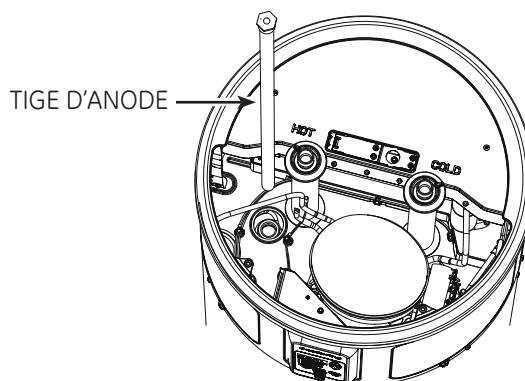


Illustration D

6. Pour installer une tige d'anode, scellez les filetages à l'aide du scellant Soft Set, vissez dans le réceptacle et utilisez une clé dynamométrique pour serrer au couple de 50 ± 5 lb-pi. Réinstallez le couvercle de la tige d'anode.
7. Ouvrez l'alimentation d'eau, ouvrez un robinet pour évacuer l'air de la plomberie, vérifiez qu'il n'y a pas de fuites, rétablissez l'alimentation électrique et réassemblez l'appareil en ordre inverse comme indiqué à l'illustration A.

L'emplacement choisi pour le chauffe-eau doit prendre en considération les éléments suivants:

RÈGLEMENTS MUNICIPAUX RELATIFS AUX INSTALLATIONS

Ce chauffe-eau doit être installé conformément à ces instructions, aux codes municipaux, aux codes des services publics, selon les exigences de la compagnie ou, en l'absence de réglementation municipale, conformément au Code national de l'électricité. Il est disponible dans certaines librairies ou peut être acheté auprès de l'association nationale de la prévention d'incendie (Batterymarch park, Quincy, MA 02169, USA, comme feuillet ANSI/NFPA 70).

EXIGENCES EN MATIÈRE D'ALIMENTATION ELECTRIQUE

Check the markings on the rating plate of the water heater to Vérifiez les informations sur la plaque signalétique du chauffe-eau afin de vous assurer que l'alimentation correspond aux besoins du chauffe-eau. REMARQUE : Les installations à 208V peuvent avoir des performances moindres.

EMPLACEMENT

Localisez le chauffe-eau dans un endroit propre et sec aussi proche que possible de la zone de plus forte demande en eau chaude. De longues conduites d'eau chaude non isolées vont gaspiller de l'énergie et l'eau. L'appareil doit être installé dans un endroit de niveau.

REMARQUE : Cet appareil est conçu pour toute installation intérieure normale, y compris : garage, buanderie, grenier, placard, etc.... Avec l'installation d'une porte à persiennes, il peut être installé dans des endroits d'une surface inférieure à 10pi x 10pi x 7pi (700 pi³). Les persiennes devrait être de 240 po² (0,15 m²) ou plus. Si deux persiennes sont utilisées, une d'entre elles doit être située près du haut de la porte.

Positionnez le chauffe-eau de manière à ce que le filtre à air, le couvercle et les panneaux avant puissent être retirés pour permettre l'inspection et l'entretien, comme le retrait des éléments ou le nettoyage du filtre.

Le chauffe-eau et les conduites d'eau doivent être protégés du gel et des atmosphères hautement corrosives. N'installez pas le chauffe-eau en extérieur ou dans des zones exposées.

⚠ MISE EN GARDE : Risque de dommage matériel - Le chauffe-eau doit être placé dans un endroit où les fuites d'eau provenant du réservoir ou des raccords n'endommageront pas la zone autour de l'appareil ou les étages inférieurs. Lorsque que de tels emplacements ne peuvent être évités, il est recommandé d'installer un bac de récupération d'eau avec un système d'évacuation approprié en dessous de l'appareil. Les installations dans un grenier nécessitent un plancher approprié et un accès par des escaliers.

REMARQUE : La plage de fonctionnement de la thermopompe est de 45°F à 120°F (7°C à 49°C). Si la température ambiante est en dehors de cette fourchette, la thermopompe s'éteint et les éléments chauffants seront utilisés jusqu'à ce que la température ambiante revienne dans la plage de fonctionnement normal.

EMPLACEMENT (SUITE)

INFORMATIONS RELATIVES AU DIMENSIONNEMENT DU CHAUFFE-EAU - LIRE AVANT L'INSTALLATION :

Pour le remplacement de systèmes domestiques existants:

- Vous remplacez un chauffe-eau existant ? Si votre chauffe-eau actuel fournit suffisamment d'eau chaude et qu'aucune autre modification ou rénovation de la plomberie n'est effectuée ou planifiée qui pourrait augmenter la demande en eau chaude, alors:
 - Le chauffe-eau hybride GeoSpring™ peut remplacer un chauffe-eau électrique standard de taille équivalente ou inférieure
 - Si vous passez d'une alimentation au gaz à une alimentation électrique, le chauffe-eau hybride GeoSpring™ peut remplacer un chauffe-eau d'une taille immédiatement inférieure.

Pour les nouvelles installations:

Guide de sélection de la taille d'un chauffe-eau domestique			
Taille de la famille	Demande*	Capacité recommandée (gallons)	
		Électrique or GeoSpring™	Gaz
5+	Élevée	100 (378.5 L)	75 (283.9 L)
	Moyenne ou Faible	80 (302.8 L)	50 (189.3 L)
3 à 4	Élevée	80 (302.8 L)	50-75 (189.3-283.9 L)
	Moyenne ou Faible	50 (189.3 L)	40 (151.4 L)
2 à 3	Élevée	50 (189.3 L)	40-50 (151.4-189.3 L)
	Moyenne ou Faible	40 (151.4 L)	40 (181.8 L)
1 à 2	Élevée	40-50 (151.4-189.3 L)	40-50 (151.4-189.3 L)
	Moyenne ou Faible	30 (113.6 L)	30 (113.6 L)

*Hypothèses pour une maison à faible demande ou à demande moyenne.

- Utilisation de pommes de douche standard ou à débit réduit (2,5 gal/min - 11,4 L/min ou moins).
- Aucune douche munie de plus d'une pomme de douche et/ou de jets pour le corps.
- Baignoire standard (pas de baignoire surdimensionnée ou à remous).

Point de réglage de la température:

Le point de réglage de la température du chauffe-eau influence grandement sur la quantité d'eau chaude disponible pour les douches et les bains.

- La consommation et les économies d'énergie calculées des chauffe-eau, y compris du chauffe-eau GeoSpring™, sont effectuées à un réglage de 135°F (57°C) qui est le réglage moyen d'un chauffe-eau selon le ministère de l'Énergie. Les économies énergétiques du GeoSpring™ sont basées sur un fonctionnement en mode hybride avec un réglage de la température de 135°F (57°C).
- Les normes de sécurité exigent un réglage en usine de 120°F à 125°F (49°C à 52°C) maximum pour tous les nouveaux chauffe-eau. Par conséquent, si votre chauffe-eau est actuellement réglé sur 130°F (54°C) ou au-dessus et que votre nouveau chauffe-eau est installé avec le point de réglage d'usine de 120°F (49°C), le nouveau chauffe-eau semblera offrir une capacité moindre que votre chauffe-eau existant.
- L'utilisateur peut régler la température de manière à répondre à ses besoins. Veuillez toujours lire et comprendre les consignes de sécurité figurant dans le manuel de l'utilisateur avant d'ajuster la température.

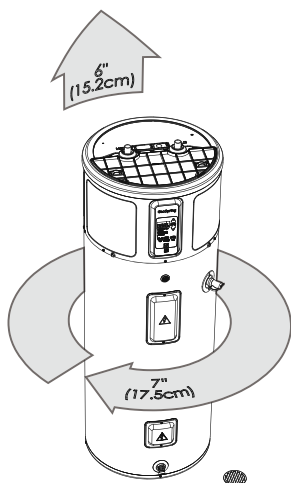
Instructions d'installation

EMPLACEMENT (SUITE)

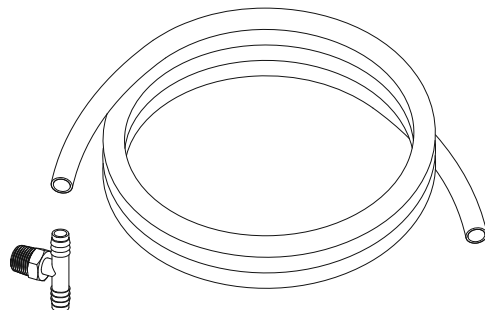
Dégagements nécessaires:

Il doit y avoir un dégagement minimal de 7 po (17,5 cm) entre tout objet et les couvercles avant et arrière advenant le cas où un entretien serait requis. Un dégagement minimal de 7 po (17,5 cm) avec les parois du chauffe-eau est également recommandé pour faciliter l'accès en cas d'entretien.

Un dégagement de 6po (15,2 cm) est également requis pour retirer le filtre à des fins de nettoyage. La plomberie d'eau chaude et froide et les connexions électriques ne doivent pas interférer avec le retrait du filtre.



PIÈCES NON STANDARD REQUISES:



Flexible 1/2 po x 6 pi
Raccord en T cranté mâle NPT 1/2 x 1/2 x 1/2 po
(certains modèles)

EXPANSION THERMIQUE

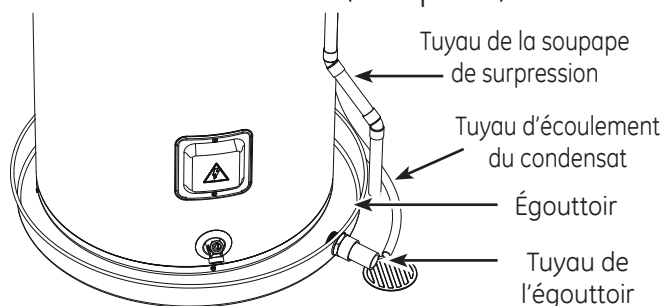
Déterminez s'il y a un clapet antiretour dans la conduite d'admission d'eau. Il peut avoir été installé dans la conduite d'eau froide pour empêcher les retours d'eau ou il peut être inclus dans une soupape de réduction de pression, un compteur d'eau ou un adoucisseur d'eau. Un clapet anti-retour dans la ligne d'admission d'eau froide peut provoquer ce qu'on appelle un « circuit d'eau fermé ». Un tuyau d'admission d'eau froide sans clapet anti-retour ou sans dispositif anti-refoulement est considéré comme un système d'eau « ouvert ».

Lorsque l'eau est chauffée, elle prend du volume et provoque une augmentation de la pression dans le système d'eau. Cette action est appelée « expansion thermique ». Dans un système « ouvert », l'eau en expansion qui dépasse la capacité du chauffe-eau reflue vers le système d'alimentation municipal où la pression est facilement dissipée.

Toutefois, un « système d'eau fermé », empêche l'eau en expansion de refluer vers la conduite principale d'alimentation. Cette expansion thermique peut provoquer une augmentation rapide et dangereuse de la pression dans le chauffe-eau et dans la tuyauterie du système. Cette augmentation rapide de la pression peut rapidement atteindre le point de réglage de la soupape de sécurité de sorte qu'elle s'active à chaque cycle de chauffage. L'expansion thermique et l'expansion et la contraction rapides et répétées des composants du chauffe-eau et de la tuyauterie peuvent entraîner l'usure prématurée de la soupape de sécurité et possiblement du chauffe-eau lui-même. Le remplacement de la soupape de sécurité ne résout pas le problème !

La méthode proposée de contrôle de l'expansion thermique est d'installer un réservoir d'expansion dans la ligne d'eau froide entre le chauffe-eau et le clapet anti-retour (se reporter à l'illustration page 15). Le réservoir d'expansion est conçu avec un coussin d'air intégré qui se comprime avec l'augmentation de la pression du système, éliminant ainsi la surpression et le fonctionnement continu de la soupape. D'autres méthodes de contrôle d'expansion thermique sont également disponibles. Contactez votre installateur, fournisseur d'eau ou inspecteur de plomberie pour des informations supplémentaires concernant ce sujet.

Catch Pan Installation (If required)



REMARQUE : Le bac de récupération de l'eau doit être conforme aux codes municipaux. Des nécessaires d'installation de bac de récupération sont disponibles auprès du détaillant où le chauffe-eau a été acheté, un magasin de matériaux de construction ou un revendeur de chauffe-eau. L'égoût doit être d'une largeur supérieure de 5,1 cm (2 po), au minimum, par rapport au diamètre de la base du chauffe-eau. Pour prévenir la corrosion et améliorer l'accès à la soupape de surpression, il est recommandé de placer le chauffe-eau sur des espaceurs à l'intérieur de l'égoût.

Tuyau de vidange du condensat

L'appareil est équipé d'un tuyau de vidange des condensats. Ainsi une bonde d'évacuation doit être disponible à proximité de l'appareil. La bonde ne doit pas être à une hauteur supérieure à 36 po (91,4 cm) au-dessus du sol (les codes nationaux et municipaux doivent être respectés). Si aucune bonde n'est disponible, alors une pompe ordinaire pour le condensat d'une capacité minimale de 1 gallon (3,8 L) par jour doit être achetée auprès d'un magasin de matériaux de construction et installée.

Instructions d'installation

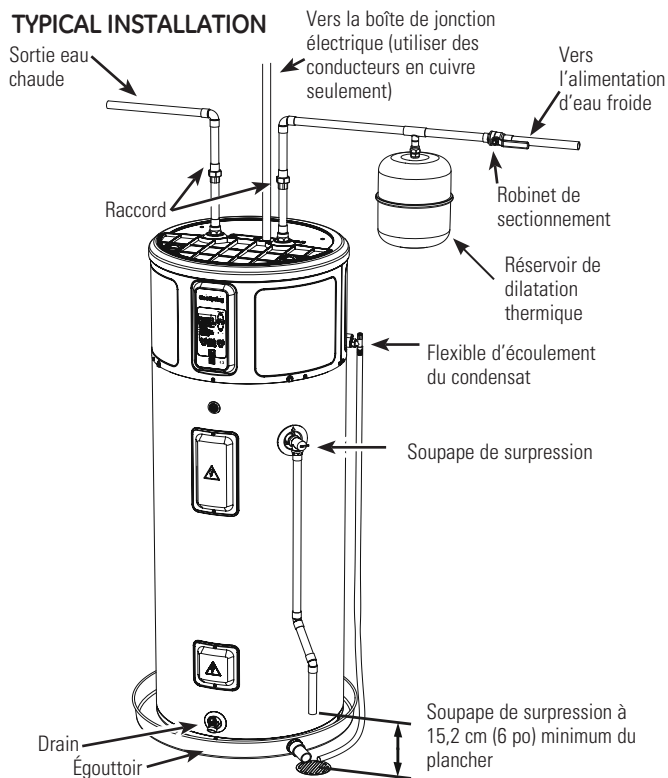
WATER SUPPLY CONNECTIONS

Reportez-vous à l'illustration ci-dessous pour une suggestion d'installation. Les raccords d'eau CHAUDE (Hot) et FROIDE (Cold) sont clairement identifiés et mesurent 3/4 po NPT sur tous les modèles. Lors du raccordement sur les orifices d'entrée ou de sortie, l'utilisation de raccords à filetage conique femelles 3/4 po NPT avec scellant à filetage est recommandé. L'installation de raccords-unions est recommandée pour le raccordement à l'eau chaude et froide de façon à pouvoir débrancher le chauffe-eau aisément dans l'éventualité d'une réparation.

REMARQUE: Installez un robinet d'arrêt dans la conduite d'alimentation d'eau froide près du chauffe-eau. Ceci permettra plus tard de faciliter l'entretien ou la maintenance de l'appareil.

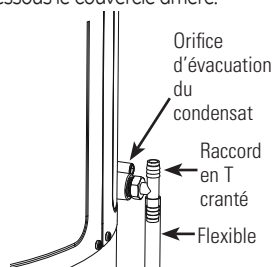
IMPORTANT: N'appliquez pas de chaleur aux raccords d'eau FROIDE ou CHAUDE. Si des raccords soudés à l'étain sont utilisés, soudez le tuyau à l'adaptateur avant de fixer l'adaptateur aux raccords d'eau froide sur le chauffe-eau. Toute application de chaleur sur les raccords d'eau froide ou chaude peut endommager de façon permanente le revêtement interne en plastique des ces orifices.

TYPICAL INSTALLATION



TUYAU DE VIDANGE DU CONDENSAT

Cet appareil est équipé d'un bac de condensation. L'eau recueillie dans le bac s'écoule du tuyau sortant sur le côté de l'appareil. Il est important d'installer un tuyau de vidange à l'orifice de vidange primaire à l'arrière de l'appareil. Raccordez une extrémité d'un tuyau plus long de 6pi (1,8 m) à l'orifice de vidange inférieur à l'arrière de l'appareil, en dessous le couvercle arrière. Dirigez l'autre extrémité vers une bonde au sol ou à une hauteur inférieure à 3pi (0,9 m). Si une telle bonde n'est pas disponible, une pompe d'évacuation des condensats (non fournie) doit être achetée et installée. Le tuyau de vidange doit être acheminé de telle façon que l'eau évacuée ne puisse entrer en contact avec les parties électriques ou des personnes et de façon à éliminer tout dégât d'eau potentiel.



SOUPAPE DE SECURITE

⚠ AVERTISSEMENT: Risque de dommage pour l'appareil - La pression nominale de la soupape de sécurité ne doit pas dépasser 150 lb/po² (1,03 kPa), la pression de fonctionnement maximale du chauffe-eau indiquée sur la plaque signalétique.

Une nouvelle soupape de sécurité de pression et de température, conforme aux normes Relief Valves and Automatic Gas Shutoff Devices for Hot Water Supply Systems (ANSI Z21.22) est fournie. Elle doit être installée dans l'orifice prévue à cet effet sur le chauffe-eau. Aucune soupape de quelque nature que ce soit ne doit être installée entre la soupape de sécurité et le réservoir. Les codes municipaux doivent toujours régir l'installation de soupapes de sécurité.

La valeur Btu/h de la soupape de sécurité ne doit pas être inférieure à la valeur nominale d'entrée du chauffe-eau, comme ceci est inscrit sur l'étiquette à l'avant du chauffe-eau (1 watt = 3,412 Btu/h).

Branchez la sortie de la soupape de sécurité à une bonde ouverte de telle façon que l'eau évacuée ne puisse entrer en contact avec les parties électriques ou des personnes et de façon à éliminer tout dégât d'eau potentiel.

La tuyauterie utilisée doit être agréée pour la distribution d'eau chaude. Le tuyau de vidange ne doit pas être d'une dimension inférieure à la sortie de la soupape et doit être incliné vers la bonde pour assurer une vidange complète (par gravité) de la soupape et du tuyau de vidange. L'extrémité du tuyau de vidange ne doit pas être filetée ou dissimulée et doit être protégée contre le gel. Aucune soupape, restricteur ou réducteur ne doit jamais être installé sur le tuyau de vidange.

⚠ MISE EN GARDE:

Pour réduire les risques de pression et de température excessives dans ce chauffe-eau, installez l'équipement de protection de température et de pression exigé par les codes municipaux et, au moins, une soupape de sécurité (pression et température) certifiée par un laboratoire d'essai indépendant reconnu à l'échelle nationale et qui effectue des inspections périodiques de l'équipement ou des matériaux inscrits qui disent se conformer aux exigences relatives aux Relief Valves and Automatic Gas Shutoff Devices for Hot Water Supply Systems (ANSI Z21.22). Cette soupape doit être marquée avec une pression maximale qui ne doit pas dépasser la pression maximale de fonctionnement indiquée pour le chauffe-eau. Installez la soupape dans l'ouverture prévue à cet effet sur le chauffe-eau et orientez-la (ou ajoutez un tuyau) de manière à ce que tout liquide soit évacué par la soupape à une hauteur maximale de 6 po (15,2 cm) du plancher, et qu'il n'entre en contact avec aucune partie électrique. En aucune circonstance, l'ouverture pour l'évacuation ne doit pas être bouchée ou de taille réduite.

Instructions d'installation

REPLISSAGE DU CHAUFFE-EAU

⚠ AVERTISSEMENT: *Risque de dommage pour l'appareil* - Le réservoir doit être plein d'eau avant de mettre le chauffe-eau en marche. La garantie de chauffe-eau ne couvre pas les dommages ou défaillances résultant d'un fonctionnement avec un réservoir vide ou partiellement vide.

Assurez-vous que le robinet de vidange est complètement fermé. Ouvrez le robinet sur la conduite d'alimentation en eau froide.

Ouvrez chaque robinet d'eau chaude doucement pour permettre à l'air de s'évacuer du chauffe-eau et des tuyauteries.

Un débit d'eau constant du/des robinet(s) d'eau chaude indique un chauffe-eau plein.

Code d'erreur F11 lors de l'installation : Si l'appareil est mis en marche sans un réservoir rempli, le code d'erreur « F11 » s'affiche à l'écran. Coupez l'alimentation électrique, remplissez le réservoir d'eau (voir ci-dessus), puis rallumez-le.

A NOTER :

Ne faites pas d'erreur de raccordements électriques. Une tension de CA de 240V ou 208V doit être appliquée aux fils L1 et L2 comme indiqué sur diagramme « boîte de jonction du chauffe-eau ». Le non-respect de cette consigne ANNULE la garantie, et peut conduire à une tension de 120V utilisée sur le chauffe-eau, qui peut endommager le compresseur ou d'autres composants électriques.

Si un câble à 4 fils est amené au chauffe-eau, isolez le neutre et branchez les autres fils comme indiqué.

NOTE RELATIVE AUX DISPOSITIFS DE GESTION D'ALIMENTATION (Parfois appelé Interrupteur de réduction en demande maximale):

Certains dispositifs de gestion de l'alimentation ou même certaines minuterie peuvent RÉDUIRE la tension de 240 V à 120 V pendant des périodes de demande importante d'électricité. Ces dispositifs doivent être retirés du circuit alimentant le chauffe-eau en raison des dommages potentiels mentionnés ci-dessus.

Toutefois, les dispositifs de commutation qui, de temps en temps, réduisent la tension de 240V à 0V sont acceptables.

Code d'erreur "bAd linE" lors de l'installation: Si « bAd linE » s'affiche à l'écran, l'appareil ne reçoit pas la bonne tension en raison d'erreurs de câblage. Pour corriger cette erreur, coupez l'alimentation électrique, corrigez les erreurs de câblage, puis rallumez le chauffe-eau.

RACCORDEMENTS ÉLECTRIQUES

Un circuit de dérivation distinct avec des conducteurs en cuivre, un dispositif de protection contre les surtensions et des moyens appropriés pour déconnecter le chauffe-eau doivent être fournis par un électricien qualifié.

Le câblage doit être conforme aux codes et règlements municipaux ou, en leur absence, à la dernière édition du Code national de l'électricité, ANSI/NFPA 70.

Le chauffe-eau est complètement raccordé à la boîte de jonction par le dessus du chauffe-eau. Une ouverture pour un raccord électrique d'1/2 po est fournie pour les connexions à faire sur place.

Les besoins en tension et puissance du chauffe-eau sont précisées sur l'étiquette signalétique apposée sur le devant du chauffe-eau.

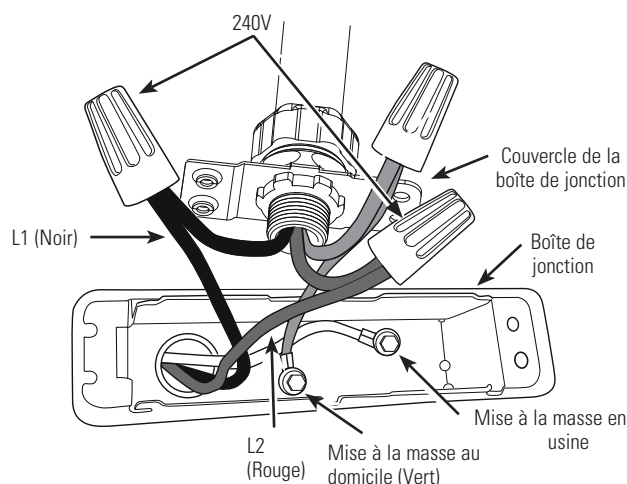
Le câblage du circuit de dérivation doit inclure:

1. Un conduit métallique ou un câble métallique gainé approuvé pour une utilisation comme conducteur de mise à la masse et installé avec des raccords adaptés à cet usage.
2. Un câble gainé non métallique, un conduit métallique ou un câble gainé métallique non approuvé pour une utilisation comme conducteur de mise à la masse doit comprendre un conducteur distinct de mise à la masse. Il doit être raccordé aux bornes de mise à la masse du chauffe-eau et à la boîte de distribution électrique.

Branchement de l'alimentation électrique au chauffe-eau:

1. Coupez l'alimentation.
2. Retirez le(s) vis maintenant le couvercle de la boîte de jonction.
3. Fixez L1 à L1, L2 à L2 et mettez à la masse le fil de terre vert relié à la base de la boîte de jonction.

REMARQUE : Faites les raccordements électriques conformément aux codes et règlements municipaux ou, en leur absence, à la dernière édition du Code national de l'électricité, ANSI/NFPA 70.



⚠ AVERTISSEMENT: Un bon raccordement à la terre est essentiel. La présence d'eau dans les tuyauteries et le chauffe-eau ne fournit pas une conduction suffisante pour une masse adéquate. La tuyauterie non métallique, les raccords diélectriques ou flexibles, etc., peuvent isoler électriquement le chauffe-eau. Ne déconnectez pas la mise à la terre faite en usine.

La garantie du fabricant ne couvre pas les dommages ou défauts causés par l'installation, le branchement ou l'utilisation de tout dispositifs d'économie d'énergie ou d'autres dispositifs non autorisés (autres que ceux autorisés par le fabricant) avec le chauffe-eau. L'utilisation de dispositifs d'économie d'énergie non autorisés peut réduire la durée de vie du chauffe-eau et peut mettre en danger la vie et provoquer des dommages matériels.

Le fabricant décline toute responsabilité en cas de pertes ou blessures résultant de l'utilisation de ces dispositifs non autorisés.

Si les codes municipaux exigent la pose extérieure de couvertures isolantes, les instructions du fabricant fournies avec le nécessaire d'isolation doivent être suivies à la lettre.

La pose de tout isolant externe, de couverture ou d'isolant à tuyauterie avec ce chauffe-eau doit être effectuée en portant une attention particulière aux points suivants :

- Ne couvrez pas la soupape de sécurité (température et pression)
- Ne couvrez pas les panneaux d'accès aux éléments chauffants.
- Ne couvrez pas la boîte de jonction du chauffe-eau.
- Ne couvrez pas les étiquettes d'utilisation ou de mise en garde apposées au chauffe-eau. N'essayez pas de les déplacer sur l'extérieur de la couverture isolante.
- N'obstruez pas les entrées/sorties d'air dans les couvercles supérieurs et sous ces derniers.

REMARQUE : Ce guide recommande un circuit de dérivation minimal basé sur le Code national de l'électricité.

Reportez-vous aux schémas de câblage dans ce manuel pour les raccordements à effectuer sur place

GUIDE DE DIMENSIONNEMENT DE CIRCUIT DE DÉRIVATION

Puissance totale du chauffe-eau	Protection de surintensité recommandée (capacité du fusible ou du disjoncteur)			
	208V	240V	277V	480V
3,000	20	20	15	15
4,000	25	25	20	15
4,500	30	25	25	15
5,000	30	30	25	15
5,500	35	30	25	15
6,000	40	35	30	20
8,000	50	45	40	25
9,000	-	50	45	25
10,000	-	-	50	30
11,000	-	-	50	30
12,000	-	-	-	35

Puissance totale du chauffe-eau	Calibre de fil de cuivre, basé sur tableau N.E.C. 310-16 (167°F/75°C).			
	208V	240V	277V	480V
3,000	12	12	14	14
4,000	10	10	12	14
4,500	10	10	10	14
5,000	10	10	10	14
5,500	8	10	10	14
6,000	8	8	10	12
8,000	8	8	8	10
9,000	-	8	8	10
10,000	-	-	8	10
11,000	-	-	8	10
12,000	-	-	-	8

Instructions d'installation

LISTE DE VÉRIFICATION D'INSTALLATION

- 1. Emplacement du réservoir:**
 - La taille de la pièce nécessite-t-elle des portes à persiennes ou une ventilation similaire ? 10pi x 10pi x 7pi (700 pi³) ou 240 pouces carrés (0,15 m²) de surface de ventilation nécessaire.
 - Éloignez l'appareil du mur de 7 po (17,5 cm.) et dégagez les parois d'au moins 7 po (17,5 cm.)
 - Le devant de l'appareil est libre et dégagé.
 - Le chauffe-eau est-il de niveau ? Sinon, ajoutez des cales sous la base de l'appareil.
- 2. Vérifiez que le filtre d'air est installé.** (Situé dans l'emballage):
- 3. Raccords de plomberie :**
 - N'empêchent pas le retrait du filtre à air
 - Aucune fuite après le remplissage du réservoir, avec ou sans débit.
- 4. Tuyaux pour les condensats sont en place:**
 - Tuyau de vidange principal installé
- 5. La soupape de sécurité (température et pression) fonctionne correctement et le tuyau de vidange est installé conformément au code municipal.**
- 6. Le branchement électrique** correspond à du 208/240 VCA à L1 et L2 au réservoir.
- 7. Le branchement électrique** n'empêche pas le retrait du filtre à air.
- 8. Assurez-vous que le panneau de commande** affiche 120°F (49°C) et mode Hybride. Aidez l'utilisateur à régler la température (se reporter à la rubrique « À propos du réglage de la température » à la page 30).

À QUOI S'ATTENDRE POUR UNE « MISE EN MARCHÉ NORMALE » EN MODE HYBRIDE

Après installation de l'appareil et après que tous les branchements électriques et de plomberie aient été effectués et vérifiés, l'appareil doit être rempli d'eau (évacuez l'air du réservoir en ouvrant un robinet d'eau chaude, quelque part dans la maison pour permettre au réservoir de se remplir entièrement d'eau). Une fois que le réservoir est plein et que l'appareil est sous tension, vous rencontrerez peut-être ceci :

Temps écoulé	Actions HEWH	Remarques
0 à 2 minutes	L'appareil passera par un autodiagnostic	Cette période d'arrêt de 2 minutes empêche d'endommager le compresseur.
2 à 10 minutes	Le compresseur et le ventilateur se mettent en marche	Cette période de 8 minutes est utilisée pour s'assurer que le réservoir est plein d'eau (algorithme de prévention d'incendie à sec).
10 à 30 minutes	Le compresseur et le ventilateur s'arrêtent et les éléments chauffants se mettent en marche pendant environ 20 minutes	Pour fournir rapidement une première quantité d'eau chaude pour l'utilisateur (environ 25 gallons/94,6 L).
30 minutes et plus	L'élément supérieur s'éteint et le compresseur se rallume	Utilisation d'une thermopompe efficace pour la majorité du chauffage

REMARQUE : La plage de fonctionnement de la thermopompe est de 45°F à 120°F (7°C à 49°C). Si la température ambiante est en dehors de cette fourchette, la thermopompe s'éteint et les éléments chauffants seront utilisés jusqu'à ce que la température ambiante revienne dans la plage de fonctionnement normal.



Avant d'appeler à un technicien...
Économisez du temps et de l'argent ! Consultez d'abord le tableau ci-dessous pour peut-être éviter de faire appel à un technicien.

Problème	Causes Possibles	Solution
Le chauffe-eau est bruyant le système	Un ventilateur est utilisé pour faire circuler l'air dans	<ul style="list-style-type: none"> Un certain niveau sonore du ventilateur est normal. Si vous entendez un bruit anormal ou si le niveau sonore semble, anormalement élevé puis contactez le service après-vente.
Le chauffe-eau rend la pièce trop froide	La pièce est mal ventilée ou est trop petite.	<ul style="list-style-type: none"> Si les dimensions de la pièce sont inférieures à 10 pi x 10pi x 7pi (3m x 3m x 2,1 m), cette pièce doit être dotée de porte à persiennes ou d'un autre moyen pour permettre un échange d'air avec les pièces avoisinantes.
	Le chauffe-eau extrait la chaleur de l'air ambiant pour chauffer l'eau.	<ul style="list-style-type: none"> Ceci est normal.
De l'eau coule sur les parois extérieures du chauffe-eau.	Le tuyau d'évacuation du condensat est bouché.	<ul style="list-style-type: none"> Nettoyez les débris au niveau de l'orifice de vidange sur l'appareil.
	Les raccords eau chaude/eau froide ne sont pas bien serrés.	<ul style="list-style-type: none"> Serrez les raccords d'entrée et de sortie.
Quantité insuffisante d'eau ou pas d'eau chaude	La température de réglage de l'eau est peut-être trop basse.	<ul style="list-style-type: none"> Voir la section Réglage de la température de l'eau.
	L'usage de l'eau chaude dépasse la capacité du mode actuel du chauffe-eau.	<ul style="list-style-type: none"> Essayer un autre mode ou modifier les habitudes d'usage.
	La quantité d'eau demandée peut dépasser la capacité du chauffe-eau.	<ul style="list-style-type: none"> Attendre que le chauffe-eau rétablisse la température après une demande anormalement élevée.
	La température ambiante est trop basse.	<ul style="list-style-type: none"> Pour que le chauffe-eau puisse fonctionner correctement, la température de son emplacement en mode électrique doit se situer entre 0 et 65 °C (32 et 150 °F) ou entre 7 et 49 °C (45 et 120 °F) pour tous les autres modes.
	La température d'entrée de l'eau peut être plus froide pendant la saison hivernale.	<ul style="list-style-type: none"> Ceci est normal. Une eau très froide est plus longue à réchauffer.
	Robinets d'eau chaude qui fuient ou sont ouverts.	<ul style="list-style-type: none"> S'assurer que tous les robinets sont fermés.
	Des parcours longs de tuyauterie d'eau chaude sont exposés ou sont à l'extérieur du mur.	<ul style="list-style-type: none"> Isoler la tuyauterie.
	Espace libre insuffisant ne permettant pas la circulation d'air de la thermopompe.	<ul style="list-style-type: none"> S'assurer que l'appareil est situé à au moins 18 cm (7 po) du mur.
	La dimension de la pièce n'est pas adéquate pour le chauffe-eau.	<ul style="list-style-type: none"> Installer une porte à persiennes ou autre système de ventilation semblable si la dimension de la pièce est inférieure à 3 x 3 x 2 m (10 x 10 x 7 pi) (20 m² [700 pi²]).
	Un fusible est brûlé ou un disjoncteur est déclenché.	<ul style="list-style-type: none"> Remplacer le fusible ou enclencher le disjoncteur.
	Une panne de courant à votre domicile.	<ul style="list-style-type: none"> Communiquer avec le fournisseur local d'électricité.
	Câblage inadéquat.	<ul style="list-style-type: none"> Voir la section Instructions d'installation.
	Limite de réinitialisation manuelle.	<ul style="list-style-type: none"> Voir la section Commandes sécuritaires à la page 4.
	Raccords d'eau vers l'appareil inversés.	<ul style="list-style-type: none"> Corriger les raccords de tuyauterie.
	L'alimentation électrique est peut-être hors tension.	<ul style="list-style-type: none"> S'assurer que les connexions électriques sont correctement câblés et que l'interrupteur, si utilisé, est à la position ON (sous tension).

Dépannage...

Problème	Causes Possibles	Solution
<i>L'eau est trop chaude</i>	Le réglage de la température est trop élevé. ⚠ MISE EN GARDE : Pour votre propre sécurité, N'ESSAYEZ PAS de réparer le câblage électrique, les commandes, les éléments chauffants et autres dispositifs de sécurité. Faites effectuer les réparations par un technicien qualifié. Défaillance de la commande électronique.	<ul style="list-style-type: none"> Consultez la section portant sur le réglage de la température de l'eau. Appelez un technicien.
<i>Grondement</i>	Les conditions de l'eau dans votre maison entraîne l'accumulation de tartre ou de minéraux sur les éléments chauffants.	<ul style="list-style-type: none"> Retirez et nettoyez les éléments chauffants. Ceci doit uniquement être effectué par un technicien qualifié.
<i>La soupape de vidange produit des bruit d'éclatement ou se met en marche</i>	Augmentation de pression causée par une expansion thermique dans un système fermé.	<ul style="list-style-type: none"> Il s'agit d'un état inacceptable qui doit être corrigée. Voir l'information sur la dilatation thermique à la page 38. Ne touchez pas la soupape de sécurité. Communiquez avec un plombier pour corriger cette situation.
<i>Le chauffe-eau émet un signal sonore et l'écran affiche F11</i>	Le chauffe-eau n'a pas été rempli d'eau avant la mise en marche. La mise en marche d'un chauffe-eau sans eau endommagera les éléments électriques. La garantie de chauffe-eau ne couvre pas les dommages ou défaillances résultant d'un fonctionnement avec un réservoir vide ou partiellement vide.	<ul style="list-style-type: none"> Remplissez complètement le réservoir d'eau. Appuyez sur ENTER (Entrée) pour arrêter l'alarme, ensuite appuyez sur POWER lorsque le réservoir est plein.
<i>Le voyant du filtre est allumé.</i>	Le filtre doit être nettoyé. Un filtre propre est nécessaire pour un fonctionnement efficace.	<ul style="list-style-type: none"> Suivez les instructions sur le retrait et le nettoyage du filtre à la page 35.
<i>Le chauffe-eau émet un signal sonore et l'écran affiche « FA-F8 »</i>	Il y a un problème avec la thermopompe.	<ul style="list-style-type: none"> L'appareil passe automatiquement à un autre mode disponible pour assurer la fourniture d'eau chaude. Contactez immédiatement le service après-vente pour leur donner les codes affichés à l'écran.
<i>Le chauffe-eau émet un signal sonore et l'écran affiche un code d'erreur</i>	Il y a un problème avec le chauffe-eau qui exige une action immédiate	<ul style="list-style-type: none"> Le chauffe-eau passera peut-être à un autre mode de chauffage de l'eau. Contactez immédiatement le service après-vente. Pour interrompre le signal sonore (sauf pour codes d'erreur F2, F-11 ou bAdLinE), appuyez sur l'une des flèches vers le haut ou le bas et le signal s'arrêtera et l'afficheur retournera à la normale (réglage température).
<i>Le chauffe-eau émet un signal sonore et l'écran affiche un code "bAd linE"</i>	L'appareil ne reçoit pas de 240V AC comme prévu.	<ul style="list-style-type: none"> Coupez l'alimentation électrique du chauffe-eau (généralement au niveau du disjoncteur). Ensuite, lisez la section « Raccordements électriques » des instructions d'installation en page 40. Puis, contactez l'installateur pour vérifier l'alimentation électrique du chauffe-eau.
<i>Le chauffe-eau dégage une odeur d'œufs pourris ou de soufre</i>	Certaines eaux avec une concentration élevée de soufre réagissent avec la tige d'anode qui est présente dans tous les chauffe-eau pour la protection contre la corrosion du réservoir.	<ul style="list-style-type: none"> L'odeur peut être réduite ou éliminée dans la plupart des chauffe-eau en remplaçant la tige d'anode avec une tige en un matériau moins réactif. Dans certains cas, une étape supplémentaire de chloration du chauffe-eau et de toutes les tuyauteries d'eau chaude peut être nécessaire. Contactez votre compagnie des eaux locale ou un plombier pour connaître les options qui s'offrent à vous ainsi que des instructions. Appelez GE au 1.888.4GE.HEWH (1.888.443.4394) pour savoir où acheter cette anode de remplacement. Un réparateur qualifié ou un plombier doit effectuer ce remplacement. L'utilisation d'une tige d'anode non approuvée par GE, ou l'utilisation du chauffe-eau sans une tige d'anode approuvée par GE ANNULE la garantie.
<i>L'appareil n'émet pas les bruits habituels</i>	Si l'appareil utilise les résistances électriques, le ventilateur et le compresseur ne feront pas de bruit sounds.	<ul style="list-style-type: none"> Vérifiez le mode de fonctionnement.

Pour obtenir un service, appelez le 1.888.4GE.HEWH (1.888.443.4394.)

Code d'erreur affiché	Condition	Action
FA	T4 n'augmente pas	Appelez un technicien
FB	Temp. sortie instable	Appelez un technicien
FC	Évaporateur givré	Appelez un technicien
FD	Surchauffe trop faible	Appelez un technicien
FE	Température de sortie au dessus de la limite	Appelez un technicien
FF	Détendeur électronique hors des	Appelez un technicien
FG*	Vérification temp. ambiante T5	Données du technicien en réparation
FH*	Test de charge du compresseur	Données du technicien en réparation
FI*	Test de fuite de réfrigérant	Appelez un technicien
F2	T2 Panne de la sonde thermique du réservoir	Appelez un technicien
F3	Panne de compresseur	Appelez un technicien
F4	Panne de ventilateur	Appelez un technicien
F5	Panne du capteur T3a (température d'entrée de l'évaporateur)	Appelez un technicien
F6	Panne du capteur T3b (température d'entrée de l'évaporateur)	Appelez un technicien
F7	Panne du capteur T4 (sortie du compresseur)	Appelez un technicien
F8	Panne du capteur T5 (température ambiante)	Appelez un technicien
F9	Panne d'élément chauffant inférieur	Appelez un technicien
F10	Panne d'élément chauffant supérieur	Appelez un technicien
F11	Erreur Réservoir à sec	Consultez la page 40
bAd linE (F12)	La tension est trop basse au démarrage	Consultez la page 40
F13	Erreur Touche Bloquée	Appelez un technicien
Dirty Filter (F14)	Le filtre est sale	Appelez un technicien
F15	Erreur DataFlash	Voir page 35

* Certains modèles

Garantie du chauffe-eau hybride GE.



Toutes les réparations sur garantie sont fournies par notre Réseau de service autorisé. Pour planifier une visite de service, appelez le 888.4GE.HEWH (888.443.4394). Veuillez avoir le numéro de série et le numéro de modèle sous la main lorsque vous appelez le service de réparation.

Agrafez le reçu d'achat ici. Pour obtenir le service sous garantie, vous devrez fournir la preuve de l'achat original.

Pour la période d': Nous remplacerons:

Un An À partir de la date d'achat initiale	Toute pièce du Chauffe-Eau Hybride qui ne fonctionne pas à cause d'un vice de matériau ou de main-d'œuvre Pendant la validité de la présente garantie limitée d'un an , GE fournira également gratuitement la main-d'œuvre et le service sur place pour réparer la pièce défectueuse.
De la Deuxième à la Dixième année À partir de la date d'achat initiale	Toute pièce du Chauffe-Eau Hybride qui ne fonctionne pas à cause d'un vice de matériau ou de main-d'œuvre. Pendant cette garantie limitée de dix ans sur les pièces, la main-d'œuvre et le service liés au remplacement de la pièce défectueuse ne sont pas inclus.

Ce qui n'est pas compris:

- Les déplacements à votre domicile pour vous expliquer l'utilisation de ce produit.
- Une installation, livraison ou maintenance défectueuse.
- Une panne du produit par abus d'utilisation, par mauvaise utilisation, par modification, par utilisation commerciale ou s'il a été utilisé dans un but autre que celui pour lequel il a été fabriqué.
- L'utilisation de ce produit avec une eau microbiologiquement insalubre ou de qualité inconnue sans désinfection adéquate en amont ou en aval du système.
- Le remplacement des fusibles ou le réenclenchement du disjoncteur du domicile.
- Tout dommage causé par accident, par la foudre, par un incendie, par inondation ou par une catastrophe naturelle.
- Les dommages directs et indirects, causés par des défaillances possibles de l'appareil, de son installation ou de sa réparation.
- Tout produit auquel il n'est pas possible d'accéder pour effectuer les réparations nécessaires. Les installations dans un grenier nécessitent un plancher approprié et un accès par des escaliers.
- Si le produit est retiré de son emplacement original.
- Les dommages, les dysfonctionnements ou les pannes causés par l'utilisation d'un service de réparation non approuvé par GE.
- Les dommages, les dysfonctionnements ou les pannes causés par l'utilisation de pièces ou de composants non autorisés.
- Consommation et remplacement de la tige d'anode.
- Les dommages, les dysfonctionnements ou les pannes causés par l'utilisation du chauffe-eau à thermopompe sans tige d'anode.
- Les dommages, les dysfonctionnements ou les pannes causés par l'utilisation de la thermopompe avec un réservoir vide ou partiellement vide.
- Les dommages, les dysfonctionnements ou les pannes causés par des pressions dans le réservoir supérieures à celles indiquées sur la plaque signalétique.
- Les dommages, les dysfonctionnements ou les pannes causés par l'utilisation du chauffe-eau à thermopompe avec des tensions dépassant les tensions inscrites sur la plaque signalétique
- Une défaillance du chauffe-eau en raison de l'utilisation de l'appareil dans une atmosphère corrosive.

EXCLUSION DE GARANTIES IMPLICITES – Votre seul et unique recours est la réparation du produit selon les dispositions de cette Garantie limitée. Toutes les garanties implicites, incluant les garanties de commercialité et d'adéquation à un usage spécifique, sont limitées à une année ou à la période la plus courte autorisée par la législation.

Cette garantie s'étend à l'acheteur initial et à tout propriétaire ultérieur pour les appareils achetés pour un usage au Canada ou aux États-Unis. Si le produit est installé dans une région où ne se trouve aucun réparateur autorisé GE, vous devrez peut-être assumer les frais de transport ou apporter/expédier le produit à un centre de service autorisé GE. En Alaska, cette garantie exclut le coût d'expédition ou les appels de service à votre site.

Certains États ou provinces n'autorisent pas l'exclusion ou la restriction des dommages directs ou indirects. La présente garantie vous donne des droits juridiques particuliers, mais vous pouvez avoir d'autres droits qui varient d'un État ou d'une province à l'autre. Pour connaître vos droits, appelez le bureau de la protection du consommateur de votre localité, de votre État ou de votre province ou le procureur général de votre État.

En cas de produit acheté en dehors des États-Unis, contacter le lieu d'achat pour des renseignements de réparation et de garantie.

Garant pour les produits achetés aux États-Unis : General Electric Company, Louisville, KY 40225.

Soutien au consommateur.



Site Web appareils électroménagers GE www.electromenagersge.ca

Vous avez une question ou vous avez besoin d'aide pour votre appareil électroménager? Contactez-nous par Internet au site www.electromenagersge.ca 24 heures par jour, tous les jours de l'année.



Service de réparations

1.800.561.3344

Service de réparations GE est tout près de vous.
Pour faire réparer votre électroménager GE, il suffit de nous téléphoner.



Studio de conception réaliste

Sur demande, GE peut fournir une brochure sur l'aménagement d'une cuisine pour les personnes à mobilité réduite.

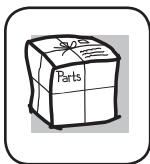
Écrivez: Directeur, Relations avec les consommateurs, Mabe Canada Inc.
Bureau 310, 1 Factory Lane
Moncton, N.B. E1C 9M3



Prolongation de garantie

www.electromenagersge.ca

Achetez un contrat d'entretien GE avant que votre garantie n'expire et bénéficiez d'un rabais substantiel. Ainsi le service après-vente GE sera toujours là après expiration de la garantie.
Visitez notre site Web ou appelez-nous au 1.888.261.2133.



Pièces et accessoires

Ceux qui désirent réparer eux-mêmes leurs électroménagers peuvent recevoir pièces et accessoires directement à la maison (cartes VISA, MasterCard et Discover acceptées).

Les directives stipulées dans le présent manuel peuvent être effectuées par n'importe quel utilisateur. Les autres réparations doivent généralement être effectuées par un technicien qualifié. Soyez prudent, car une réparation inadéquate peut affecter le fonctionnement sécuritaire de l'appareil.

Vous trouverez dans les pages jaunes de votre annuaire le numéro du Centre de service Mabe le plus proche. Autrement, appelez-nous au 1.800.661.1616.



Contactez-nous

Si vous n'êtes pas satisfait du service après-vente dont vous avez bénéficié :

Premièrement, communiquez avec les gens qui ont réparé votre appareil.

Ensuite, si vous n'êtes toujours pas satisfait envoyez tous les détails—numéro de téléphone compris—au
Directeur, Relations avec les consommateurs, Mabe Canada Inc.
Bureau 310, 1 Factory Lane
Moncton, N.B. E1C 9M3



Inscrivez votre appareil électroménager www.electromenagersge.ca

Inscrivez votre appareil électroménager en direct, aussitôt que possible. Cela améliorera nos communications et notre service après-vente. Vous pouvez également nous envoyer par la poste le formulaire d'inscription joint à votre documentation.

Información Importante de Seguridad	49-51
Instrucciones de Funcionamiento	
Panel de Control	52
Unidad de Corriente.....	53
Configuración de Temperatura....	54
Modos de Funcionamiento	55
Preguntas Frecuentes (FAQ)	56
Módulo de Comunicación del Electrodoméstico (ACM).....	57
Cuidado y Limpieza	58, 59
Instrucciones de Instalación	61-66
Consejos para Solucionar Problemas	67-69
Soporte al Consumidor	71

Escriba los números de modelo y de serie aquí:

Modelo # _____

Serie # _____

Los podrá encontrar en la etiqueta de detalles técnicos en la parte frontal de su calentador de agua.

INFORMACIÓN IMPORTANTE DE SEGURIDAD. LEA TODAS LAS INSTRUCCIONES ANTES DE USAR.

GEAppliances.com

⚠ ¡ADVERTENCIA!

Para su seguridad, siga las instrucciones de este manual a fin de minimizar riesgos de incendio o explosión, descargas eléctricas, o para evitar daños en su propiedad, lesiones personales o la muerte.

Asegúrese de leer y entender el Manual del Propietario en su totalidad antes de intentar instalar o usar este calentador de agua. Es posible que le ahorre tiempo y gastos. Preste especial atención a las Instrucciones de Seguridad. Si no se siguen estas advertencias, se podrán producir lesiones graves o la muerte. En caso de tener problemas para entender las instrucciones de este manual, o si desea realizar alguna pregunta, DETÉNGASE y solicite ayuda a un técnico del servicio calificado o al servicio eléctrico local.

AJUSTE DE LA TEMPERATURA DEL AGUA

La seguridad y conservación de la energía son factores que se deben tener en consideración al seleccionar la configuración de la temperatura del agua a través de la interface del usuario del calentador de agua. Las temperaturas del agua superiores a los 125° F puede ocasionar quemaduras graves o la muerte por quemaduras. Asegúrese de leer y seguir las advertencias detalladas en la etiqueta que aparece a continuación. Esta etiqueta también está ubicada en el calentador de agua, cerca de la parte superior del tanque.

⚠ PELIGRO



Las temperaturas de agua superiores a 125°F pueden provocar quemaduras graves en forma instantánea o la muerte por quemaduras.

La configuración del control electrónico de temperatura normalmente aproxima la temperatura del agua de grifo. Sin embargo, ciertos factores pueden hacer que la temperatura alcance los 160°F a pesar de la configuración del control. Siempre pruebe el agua antes de bañarse o ducharse.

Los niños, los discapacitados y las personas mayores corren un riesgo mayor de sufrir una quemadura.

Consulte el manual de instrucciones antes de configurar la temperatura del calentador de agua.

Pruebe el agua antes de bañarse o ducharse.

Se encuentran disponibles válvulas limitadoras de temperatura; consulte el manual.

Están disponibles válvulas mezcladoras para reducir la temperatura del agua en el lugar de uso, las cuales mezclan agua caliente y fría en las líneas de agua derivadas. Para más información, comuníquese con un plomero matriculado o con la autoridad de plomería local.

Relación de Tiempo/ Temperatura en Quemaduras

Temperatura	Tiempo para Producir una Quemadura Grave
120°F (49°C)	Más de 5 minutos
125°F (52°C)	1-1/2 a 2 minutos
130°F (54°C)	Aproximadamente 30 segundos
135°F (57°C)	Aproximadamente 10 segundos
140°F (60°C)	Menos de 5 segundos
145°F (63°C)	Menos de 3 segundos
150°F (66°C)	Aproximadamente 1-1/2 segundos
155°F (68°C)	Aproximadamente 1 segundo

La tabla es cortesía de Shriners Burn Institute

El cuadro que se muestra a continuación podrá ser usado como guía para determinar la temperatura del agua apropiada para su hogar.

El termostato fue configurado en la fábrica a 120° F (49° C) a fin de reducir el riesgo de lesiones por quemaduras.

NOTA: Los hogares donde haya niños pequeños, personas incapacitadas o mayores podrán requerir una configuración del termostato de 120° F (49° C) o inferior, a fin de evitar el contacto con el agua "CALIENTE".

⚠ PELIGRO: Existe la posibilidad de que se produzca una QUEMADURA con Agua Caliente si el control de temperatura del agua está configurado demasiado alto.

GUARDE ESTAS INSTRUCCIONES

INFORMACIÓN IMPORTANTE DE SEGURIDAD. LEA TODAS LAS INSTRUCCIONES ANTES DE USAR.

⚠ ¡PRECAUCIÓN!

Riesgo de incendio - Se puede producir **gas hidrógeno** en un sistema de agua caliente abastecido por este calentador de agua, el cual fue usado por un período de tiempo prolongado (generalmente dos semanas o más). ¡EL GAS HIDRÓGENO ES EXTREMADAMENTE INFLAMABLE! Para disipar dicho gas y reducir el riesgo de lesiones, se recomienda que el grifo de agua caliente quede abierto durante varios minutos en el lavabo de la cocina, antes de usar cualquier artefacto eléctrico conectado al sistema de agua caliente. Si hay hidrógeno presente, habrá un sonido atípico tal como aire que escapa a través de la tubería cuando el agua comience a circular. No fume ni encienda una llama cerca del grifo en el momento en que éste se abra.

⚠ ¡ADVERTENCIA!

Riesgo de Incendio - No guarde ni use gasolina u otros vapores inflamables y líquidos cerca de éste ni de otros electrodomésticos. Mantenga los tapetes y otros materiales combustibles alejados.

⚠ PARA INSTALACIONES EN EL ESTADO DE CALIFORNIA

La Ley de California requiere que los calentadores de agua residenciales sean sujetados, apuntalados o amarrados a fin de resistir caídas o desplazamientos horizontales debido a movimientos por terremotos. Para los calentadores de agua residenciales de hasta 52 galones (236.4 L) de capacidad, se podrá acceder a un catálogo con instrucciones genéricas para sujeción en caso de terremoto en: Office of the State Architect (Oficina del Arquitecto Estatal), 400 P Street, Sacramento, CA 95814 o se puede comunicar al 916.324.5315 o solicitar la asistencia de un vendedor de calentadores de agua.

Los códigos locales aplicables siempre determinarán la instalación. Para calentadores de agua residenciales de una capacidad superior a 52 galones (236.4 L) consulte sobre procedimientos de sujeción aceptables en la jurisdicción de construcción local .

Advertencia de la Proposición 65 de California: Este producto contiene químicos que el Estado de California entiende que producen cáncer, defectos en el nacimiento u otros daños reproductivos.

INFORMACIÓN IMPORTANTE DE SEGURIDAD. LEA TODAS LAS INSTRUCCIONES ANTES DE USAR.

GEAppliances.com

⚠ ADVERTENCIA:

Apague el suministro de energía del calentador de agua si éste sufrió daños físicos o una inundación.

No utilice el calentador de agua nuevamente hasta que haya sido controlado en su totalidad por personal calificado del servicio técnico.

Precauciones de Seguridad

A. Apague el suministro de energía del calentador de agua si éste sufrió un sobrecalentamiento, incendio, inundación o daño físico.

B. No encienda el calentador de agua a menos que esté lleno de agua.

C. No encienda el calentador de agua si la válvula de cierre del suministro de agua fría está cerrada.

NOTA: Podrán ser emitidos vapores inflamables por Corrientes de aire en áreas circundantes al calentador de agua.

D. En caso de existir dificultad para entender o seguir las Instrucciones de Funcionamiento o la sección de Cuidado y Limpieza, se recomienda que una persona calificada o personal del servicio técnico realicen el trabajo.

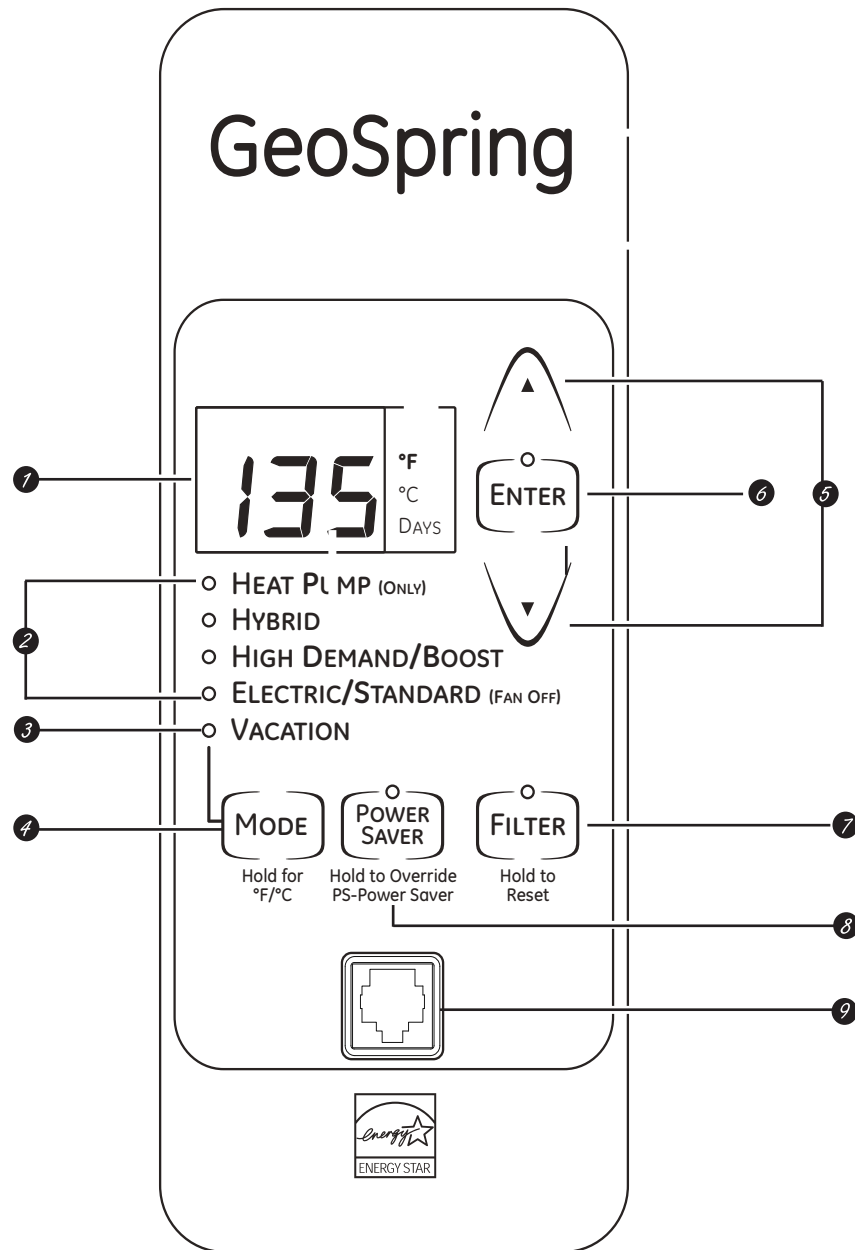
Controles de Seguridad

El calentador de agua está equipado con un control de límite de temperatura (TCO) que está ubicado sobre el elemento de calentamiento en contacto con la superficie del tanque. Si por alguna razón la temperatura del agua se vuelve excesivamente alta, el control de límite de temperatura interrumpe el circuito de energía hacia el elemento de calentamiento. Una vez que el control se abre, debe ser reiniciado de forma manual. El reinicio de los controles de límite de temperatura deberán ser realizados por un técnico calificado del servicio.

⚠ PRECAUCIÓN: *La causa de la condición de temperatura alta deberá ser investigada por un técnico calificado del servicio o se deberá realizar una acción correctiva antes de volver a poner en uso el calentador de agua.*

Para reiniciar el control de límite de temperatura:

1. Apague la corriente del calentador de agua.
2. Retire el panel(es) de acceso y el aislante del revestimiento. La tapa protectora del termostato deberá ser retirada.
3. Presione el botón rojo de REINICIO.
4. Reemplace el panel(es) de acceso y el aislante del revestimiento antes de encender la corriente del calentador de agua.

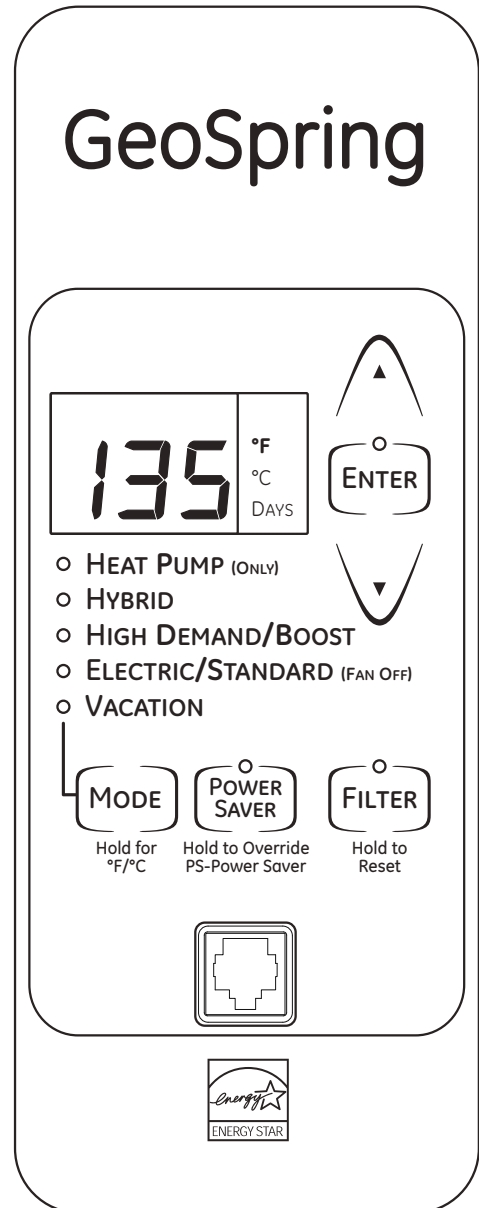


Controles Funciones

- 1 Pantalla**
- 2 Modos de Funcionamiento**
(Para acceder a una descripción, consulte la página 8)
- 3 Vacaciones**
(Para acceder a una descripción, consulte la página 8)
- 4 Selector de Modo**
Use este botón para alternar entre los modos disponibles.
- 5 Teclas con Flechas**
Use este botón para ajustar la configuración de temperatura
- 6 Tecla de Ingreso**
- 7 Reinicio del Filtro**
El filtro está sucio y requiere una limpieza cuando la luz Roja está iluminada. El filtro está ubicado en la parte superior del calentador de agua. Mantenga presionado el botón durante 5 segundos para reiniciar la alarma del filtro.
- 8 Anulación del Ahorro de Energía**
Para uso con el módulo ACM. Mantenga presionado para anular el modo de Ahorro de Energía en la unidad. Una vez presionado y cuando se haya cancelado el modo de Ahorro de Energía, la unidad permanecerá sin Ahorro de Energía por las siguientes 18 horas.
- 9 Puerto del Módulo de Comunicación del Artefacto**
Para uso con un módulo ACM opcional (para más detalles, consulte la página 10).

Esta unidad no cuenta con un botón de encendido. Una vez que el calentador de agua es enchufado y haya suministro de corriente, estará encendido. La pantalla mostrará la configuración actual de la temperatura del agua. El modo de funcionamiento actual del calentador de agua aparecerá iluminado.

Para cumplir con las regulaciones de seguridad, los controles están preconfigurados de fábrica en 120° F (49° C) y en Hybrid Mode (Modo Híbrido). Se recomienda que la unidad esté configurada en Heat Pump (only) (Bomba de Calentamiento solamente), a fin de maximizar el ahorro de energía. El funcionamiento en Hybrid Mode (Modo Híbrido) brinda equilibrio en el ahorro de energía y en el uso conveniente del agua caliente. El consumo de energía informado está basado en el funcionamiento de la unidad en Hybrid Mode (Modo Híbrido) en una configuración de temperatura de 135° F (57° C), y el funcionamiento en configuraciones de temperatura baja o en el modo Heat Pump (only) (Bomba de Calentamiento solamente) brindarán incluso mayores ahorros de energía.



Acerca de la configuración de la temperatura del agua.

Posición de Ajuste de Temperatura:

La seguridad, la conservación de la energía y la capacidad del agua caliente son factores que se deben considerar al seleccionar la configuración de la temperatura del agua caliente en el calentador de agua. A fin de cumplir con las regulaciones de seguridad, la posición de ajuste de temperatura del agua está configurada previamente en la fábrica a 120° F (49° C). Ésta es la configuración de temperatura inicial recomendada.

NOTA: De acuerdo con el US Dept of Energy (Departamento de Energía de EE.UU.), el calentador de agua residencial promedio en EE.UU. está configurado en 135° F (57° C). Las indicaciones de ahorro de Energía del Calentador de Agua Híbrido GE GeoSpring™ Hybrid están basadas en una configuración de temperatura de 135° F (57° C). La posición de ajuste de temperatura del agua puede ser elevada con relación a la configuración de fábrica de 120° F a 135° F (49° C a 57° C), sin sacrificar los ahorros de energía indicados. Si se usa una configuración de temperatura inferior a 135° F (57° C), se podrán lograr mayores ahorros de energía y de costos operativos.

Consulte "Para Ajustar la Temperatura" sección a continuación para cambiar la temperatura del calentador de agua.

Capacidad del agua caliente:

Si se desea una mayor capacidad de agua caliente, incrementar la temperatura de 120° F a 135° F (49° a 57° C) permitirá que el mismo tanque de agua caliente dure aproximadamente un 25% más, ya que mayor cantidad de agua fría es mezclada en la ducha o grifo.

Relación de Tiempo/ Temperatura en Quemaduras

Temperatura	Tiempo para Producir una Quemadura Grave
49°C (120°F)	Más de 5 minutos
52°C (125°F)	1-1/2 a 2 minutos
44°C (130°F)	Aproximadamente 30 segundos
57°C (135°F)	Aproximadamente 10 segundos
60°C (140°F)	Menos de 5 segundos
63°C (145°F)	Menos de 3 segundos
66°C (150°F)	Aproximadamente 1-1/2 segundos
68°C (155°F)	Aproximadamente 1 segundo

La tabla es cortesía de Shriners Burn Institute

Recordatorio de Riesgo de Quemaduras:

Las temperaturas con agua superiores a los 125° F pueden ocasionar quemaduras graves o la muerte por quemaduras. Asegúrese de leer y seguir las advertencias detalladas en este manual y en la etiqueta del calentador de agua. Esta etiqueta está ubicada en el calentador de agua, cerca del panel de acceso del elemento superior.

Consulte "Relación de Tiempo/ Temperatura en Quemaduras" a continuación como guía para determinar la temperatura apropiada del agua para su hogar.

Válvulas de mezcla:

Están disponibles válvulas mezcladoras para reducir la temperatura del agua en el lugar de uso, las cuales mezclan agua caliente y fría en las líneas de agua derivadas. Para más información, comuníquese con un plomero matriculado o con la autoridad de plomería local.

PELIGRO: Existe la posibilidad de que se produzca una quemadura con agua caliente si la temperatura del agua es demasiado alta. Los hogares donde haya niños pequeños, personas incapacitadas o mayores podrán requerir una configuración del termostato de 120° F (49° C) o inferior, a fin de evitar el contacto con el agua CALIENTE.

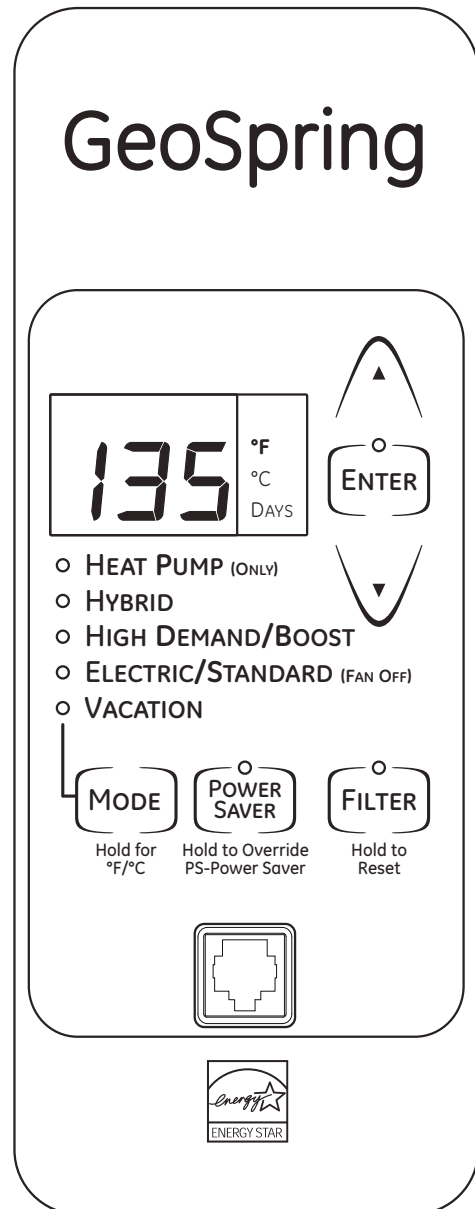
Para Ajustar la Temperatura

Siga estos pasos:

1. Presione la flecha hacia ARRIBA o ABAJO en la tecla del panel de control hasta la temperatura deseada.
2. Presione ENTER (Ingresar) para aceptar la nueva configuración.

Nota: Para cambiar de °F a °C, mantenga presionada la tecla MODE (Modo).

PELIGRO: Existe la posibilidad de que se produzca una quemadura con Agua Caliente si la temperatura del agua está configurada demasiado alta. Se recomienda un punto de ajuste de temperatura del agua de 120°F (49°C), pero podrá ser ajustado a cualquier temperatura entre 100°F y 140°F (38°C y 60°C).



Este calentador de agua funciona por defecto en el modo de funcionamiento Híbrido. Los modos disponibles figuran a continuación y pueden ser seleccionados usando el botón MODE (Modo).

Modo Heat Pump (only) (Bomba de Calentamiento solamente)—RECOMENDADO PARA UN MÁXIMO AHORRO

Heat Pump (only) (Bomba de Calentamiento solamente) es el modo más eficiente de uso de la energía en este calentador de agua. Toma calor del aire circundante para calentar el agua. El tiempo que toma calentar es agua es más prolongado en este modo, de manera que podrá no ser suficiente si tiene una situación de alta demanda tal como un hogar o empresa grande.

Modo Híbrido

Hybrid Mode (Modo Híbrido) combina la eficiencia de la energía de la Bomba de Calentamiento (solamente) con la velocidad y energía de recuperación del modo Electric (Fan off)/ Standard (Fan off) (Eléctrico con ventilador apagado/ Estándar con ventilador apagado) en la mayoría de las situaciones de uso del agua. Hybrid Mode (Modo Híbrido) permitirá que la unidad funcione como un calentador de agua eléctrico estándar, mientras brinda significativos ahorros de energía.

NOTA: El rendimiento de la unidad, el consumo y ahorro de energía informados están basados en el funcionamiento en Hybrid Mode (Modo Híbrido) en una configuración de temperatura de 135° F (57° C).

Alta Demanda/ Incremento

Este modo puede ser necesario si el uso de agua en su hogar supera el nivel promedio o si el rendimiento de la unidad es inferior a las demandas de agua de su hogar. En este modo, la unidad usará los elementos de calentamiento eléctricos sólo cuando el nivel de demanda de agua sea alto. Al usar los elementos de calentamiento, la temperatura del agua se recuperará en un nivel más alto pero usará más energía para calentar la misma. A diferencia del modo Eléctrico/ Estándar (Ventilador apagado), éste usará los elementos de calefacción sólo cuando sea necesario, y usará la bomba de calentamiento cuando los niveles de demanda de agua sean inferiores.

NOTA: La diferencia entre Hybrid Mode (Modo Híbrido) y Alta Demanda/ Incremento es que en este último los elementos de resistencia del calor son activados antes que en el Modo Híbrido.

Modo Eléctrico/ Estándar (Ventilador apagado)

Este modo utiliza sólo los elementos de resistencia de calor superior e inferior para calentar el agua. El tiempo que toma calentar el agua es inferior en este modo, pero es el modo de MENOR eficiencia de energía.

NOTA: En este modo, la luz de LED verde titilará luego de 48 horas como indicación de que la unidad no está funcionando en el modo de energía más eficiente. La unidad continuará operando en este modo y no indica un problema de funcionamiento.

Vacaciones

Esta función es usada cuando estará fuera del hogar por un período de tiempo prolongado y el agua caliente no es necesaria. En este modo, la unidad hará que la temperatura del agua descienda a 50° F (10° C) y usará el modo de calentamiento más eficiente para conservar la energía mientras el calentador queda en desuso. La unidad reiniciará el calentamiento de forma automática un día antes de su regreso, de modo que haya agua caliente disponible.

Por ejemplo: si estará fuera durante 14 días, siga estos pasos:

1. Seleccione VACATION (Vacaciones) utilizando el botón Mode (modo).
2. Ingrese el total de días que no estará (en este ejemplo, 14) presionando el botón con la flecha hacia ARRIBA (por omisión es 7 días).
3. Presione ENTER (Ingresar).

La unidad hará que la temperatura del agua descienda a 50° F (10° C) por un día menos que aquellos que no estará (en este ejemplo: por 13 días). Al final del día antes de su regreso (en este ejemplo, el día 13°), automáticamente regresará al modo de funcionamiento previo y calentará el agua en la configuración de temperatura original, de modo que haya agua disponible cuando regrese.

Para acceder a cualquiera de estos modos::

1. Presione el botón MODE (Modo) en el control hasta el modo de funcionamiento deseado.
2. La luz verde estará iluminada en el modo elegido.

Preguntas Frecuentes.

Filtro:

P: ¿Por qué hay un filtro?

R: En los modos Híbrido y Bomba de Calentamiento (solamente), la unidad mueve aire a través del sistema. El filtro protege la unidad de la suciedad. El filtro de aire limpio mejora el rendimiento.

P: ¿Cómo se limpia el filtro?

R: Deje el encendido activado y retire el filtro de la parte superior de la unidad. El filtro puede ser aspirado o enjuagado con agua tibia. ¡Un filtro sucio reducirá el rendimiento del agua caliente!

Modos:

P: ¿Qué es Bomba de Calentamiento (solamente)?

R: Bomba de Calentamiento (solamente) es el modo más eficiente. Toma calor del aire para calentar el agua, por consiguiente enfriando el aire circundante. Recuperación más lenta pero modo más eficiente.

P: ¿Qué es Híbrido?

R: El modo Híbrido combina beneficios de la Bomba de Calentamiento (solamente) con la velocidad y energía del modo Eléctrico Estándar. Esto brinda gran rendimiento con menor cantidad de energía.

P: ¿Qué es Alta Demanda/ Incremento?

R: Alta Demanda/ Incremento se puede utilizar cuando el uso de agua caliente sea superior al normal. La unidad será menos eficiente pero calentará agua más rápido en respuesta a entregas de agua prolongadas. Para todas las entregas normales, la unidad aún usará la Bomba de Calentamiento eficiente la mayor parte del tiempo.

P: ¿Qué es el modo Vacaciones?

R: Si no estará por un período prolongado, este modo reduce la temperatura del agua a fin de reducir la energía usada. La unidad cambiará al modo previo un día antes de su regreso.

P: ¿Qué es Eléctrico/ Estándar (Ventilador apagado)?

R: El modo Eléctrico/ Estándar (Ventilador Apagado) usa solamente la resistencia para calentar el agua. Esto brinda una recuperación de agua caliente más rápida que el modo Híbrido, pero usa más energía. Este modo funciona sin el ventilador, deteniendo el aire frío normalmente descargado durante el funcionamiento de la bomba de calentamiento.

P: ¿Por qué titila el LED verde Eléctrico/ Estándar (Ventilador apagado)?

R: En este modo, la luz LED verde titilará luego de 48 horas como indicación de que la unidad no está funcionando en el modo de energía más eficiente

Funcionamiento:

P: ¿Por qué puedo escuchar la unidad funcionar?

R: En los modos de mayor eficiencia de la energía, Heat Pump (only) (Bomba de Calentamiento solamente), y High Demand/ Boost (Alta Demanda/ Incrementar), el método utilizado para calentar el agua usa un ventilador que se puede escuchar mientras funciona.

P: La bomba de calentamiento no está funcionando durante el período de tiempo normal. ¿Qué ocasiona esto?

R: Bajo ciertas condiciones, el Calentador de Agua Híbrido GeoSpring™ funcionará usando los elementos eléctricos en lugar de la bomba de calentamiento, a fin de proteger la unidad y asegurar que usted cuente con agua caliente. Estas condiciones incluyen una temperatura ambiente extremadamente fría (<45° F), temperatura ambiente extremadamente caliente (<120° F), o condiciones con nivel de voltaje muy bajo. La unidad regresará al funcionamiento normal cuando las condiciones lo permitan

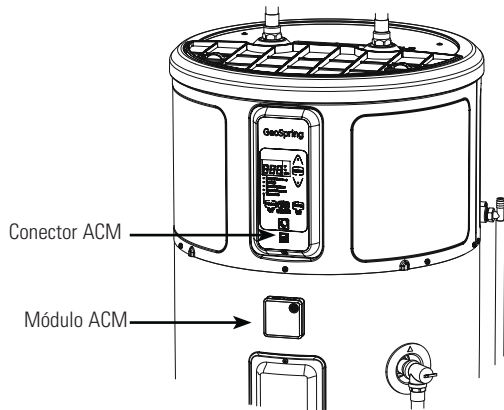
El calentador de agua Híbrido Eléctrico con bomba de calentamiento es compatible con **el módulo de comunicación del Artefacto Inteligente de GE**, el cual puede ser adquirido en forma aparte. Comuníquese con su servicio local o visite www.GEAppliances.com/Smart-Appliance para verificar si en su área se está utilizando la tecnología **ACM**. Aplicar el ACM permite que la unidad responda a señales del servicio o que se adhiera a una red hogareña.

Las siguientes características de respuesta a demandas podrán estar disponibles como parte de un programa de evaluación piloto, donde la compañía local de servicios públicos ayuda a los consumidores a reducir el riesgo de picos de electricidad en el uso hogareño.

INSTALACIÓN

El módulo ACM está equipado con imanes en la base del módulo, los cuales permitirán que esté adherido al exterior metálico pintado del calentador de agua de la bomba de calentamiento.

Los detalles sobre cómo conectar los cables al módulo se encuentran en las instrucciones incluidas con el módulo.



Una vez que el cable del módulo ACM está enchufado a la conexión del calentador de agua, siga las instrucciones de conexión incluidas con el módulo ACM. Tan pronto como el módulo ACM esté en funcionamiento, el calentador de agua de la bomba de calentamiento estará listo para recibir las señales de ACM.

GUÍA RÁPIDA

Si su empresa local de servicios públicos está utilizando tecnología ACM, el módulo ACM recibirá las señales enviadas de su empresa de servicios públicos. Una de las cuatro señales será enviada:

- "Bajo" (representa el nivel de costo de energía más bajo disponible)
- "Medio" (representa el nivel de costo de energía incrementado)
- "Alto" (representa el nivel de costo de energía incrementado)
- "Crítico" (representa el nivel de costo de energía "pico")

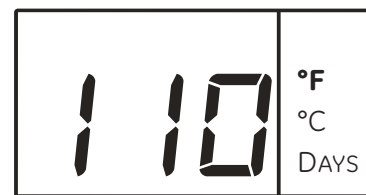
Un calentador de agua con bomba de calentamiento equipado con un módulo ACM reconocerá de forma automática qué nivel de costo de energía está disponible y ajustará su configuración de modo y temperatura, a fin de usar menos energía cuando los índices sean medio, alto y crítico. Cuando el calentador de agua de la bomba de calentamiento responde a estas señales, la luz de LED sobre el botón Power Saver (Ahorro de Energía) estará encendida, indicando que los períodos de precios de energía tienen efecto, y las letras PS aparecerán en la pantalla de LED si el usuario intenta cambiar la temperatura sin presionar primero el botón para anular Power Saver (Ahorro de Energía).

Cuando la señal esté baja o cuando no haya ningún módulo ACM conectado, la unidad funcionará normalmente. Los siguientes pasos muestran cómo la unidad reacciona a los niveles de señal Medio, Alto y Crítico.

Cuando la señal de ACM está en **Medium (Medio)**, el control funcionará en el Modo Heat Pump (only) (Bomba de Calentamiento solamente) y la temperatura del agua permanecerá en la configuración de usuario normal. Si la configuración de temperatura actual del usuario es de 120° F, la pantalla exhibirá:



Cuando la señal ACM esté en **High (Alto)**, el control funcionará en Heat Pump (only) Bomba de Calentamiento solamente, con una configuración de temperatura del agua de 110° F (43° C) y en la pantalla se visualizará:



Cuando la señal ACM esté en **Critical (Crítico)**, el control funcionará en Heat Pump (only) (Bomba de Calentamiento solamente), con una configuración de temperatura del agua de 100° F (38° C) y en la pantalla se visualizará:



Aviso: La conexión ACM del artefacto cuenta con voltaje no compatible con computadoras o accesorios. NO enchufe laptops, modems, routers, etc. en el conector ACM del Electrodoméstico RJ45. Use sólo con los Accesorios del Artefacto de GE designados. La conexión a computadoras y accesorios podrá resultar en daños sobre el producto.

Cuando la unidad esté funcionando en medio, alto o crítico, la pantalla de LCD sobre el botón Power Saver (Ahorro de Energía) estará iluminada. Si en cualquier momento desea cambiar el punto de ajuste de la temperatura mientras la unidad se encuentra en el modo Power Saver (Ahorro de Energía), mantenga presionado el botón Ahorro de Energía para anular dicho modo; luego use los botones con flechas para cambiar a la configuración deseada. La anulación se aplicará durante 18 horas. Si intenta cambiar la temperatura sin anular la función de ahorro de energía, se visualizarán las letras PS en la pantalla, indicando que aún se encuentra en el modo de ahorro de energía.

Cuidado y limpieza.

Rutina de Mantenimiento Preventivo

▲ PELIGRO: Riesgo de quemaduras - Antes de utilizar manualmente la válvula de alivio, asegúrese de que nadie esté expuesto al peligro de tener contacto con el agua caliente liberada por la válvula. Es posible que el agua esté lo suficientemente caliente como para crear riesgo de quemaduras. El agua debería ser liberada a través de un drenaje adecuado, a fin de evitar lesiones o daños sobre la propiedad.

NOTA: Si la válvula de temperatura y liberación de presión en el calentador de agua caliente se descarga periódicamente, esto se podrá deber a la expansión térmica en un sistema de agua cerrado. Para obtener información sobre cómo corregir esto, comuníquese con un proveedor de agua o con un contratista de plomería. No enchufe la ficha de la válvula de alivio.

Si se mantiene correctamente, el calentador de agua brindará años de servicio sin problemas.

Se sugiere que el usuario establezca y siga un programa de mantenimiento preventivo en forma rutinaria.

Válvula de Temperatura y Alivio de Presión:

Por lo menos una vez al año, levante y libere la manija de la palanca de la válvula de temperatura y alivio de presión, ubicada en el área frontal derecha, a fin de asegurar que la válvula funcione libremente. Deje que corran varios galones a través de la línea de descarga hasta un drenaje abierto.

Drenaje del Calentador de Agua

▲ PRECAUCIÓN: Riesgo de descarga - Cierre el encendido del calentador de agua antes de drenar el agua.

▲ PELIGRO: Riesgo de quemaduras - Antes de utilizar manualmente la válvula de alivio, asegúrese de que nadie esté expuesto al peligro de tener contacto con el agua caliente liberada por la válvula. El agua drenada del tanque podrá estar lo suficientemente caliente como para presentar un riesgo de quemadura y debería ser dirigida a un drenaje adecuado a fin de evitar lesiones o daños.

Inspección Periódica (una vez por año):

Incluso se recomienda una inspección periódica de los controles de funcionamiento, elementos de calentamiento y cableado por parte de personal calificado del servicio técnico en reparaciones del artefacto eléctrico.

La mayoría de los artefactos eléctricos, incluso cuando son nuevos, realizan ciertos sonidos cuando están en funcionamiento. Si el nivel de sonido de siseo o canto se incrementa de forma excesiva, es posible que se requiera una limpieza del elemento de calentamiento eléctrico. Comuníquese con un instalador o plomero calificado para que se realice una inspección.

Purga del Tanque:

El tanque de un calentador de agua puede funcionar como un depósito de sedimentación para sólidos suspendidos en el agua. Por lo tanto, no es extraño que se acumulen depósitos de agua dura en el fondo del tanque. Para eliminar dichos depósitos del tanque, siga estos pasos:

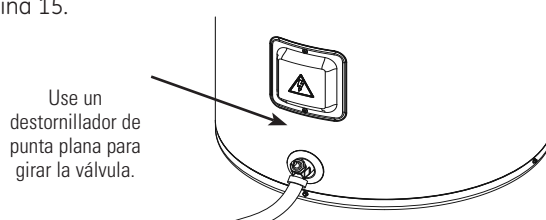
1. Adjunte una manguera de jardín a la válvula de drenaje ubicada en la parte inferior de la unidad y dirija dicha manguera hasta el drenaje.
2. Abra la válvula de drenaje con un destornillador plano.
3. Una vez que varios cuartos de agua hayan sido drenados, cierre la válvula de drenaje.

Esto debería ser realizado con el suministro de agua fría abierto, de modo que el agua eliminada a través de la válvula de drenaje sea reemplazada, y que el flujo del suministro de agua ayude a eliminar sedimentos.

Para drenar el calentador de agua, siga estos pasos:

1. Adjunte una manguera de jardín a la válvula de drenaje ubicada en la parte inferior de la unidad y dirija dicha manguera hasta el drenaje.
2. Cierre el suministro de agua fría.
3. Permita el ingreso de aire al tanque abriendo un grifo de agua caliente o levantando la manija de la válvula de alivio.
4. Abra la válvula de drenaje con un destornillador plano.

Nota: Para conocer el diseño esquemático del producto, consulte la página 15.



Opciones de Períodos de Cierre Extendidos o Vacaciones que Superan el Modo de Vacaciones

Si el calentador de agua permanecerá inactivo por un período de tiempo extendido, el encendido y el agua hacia el electrodoméstico deberían ser apagados para conservar la energía y evitar la acumulación de gas hidrógeno peligroso. La unidad no cuenta con un botón de encendido; sólo puede ser apagada con el disyuntor o la ficha de desconexión.

El calentador de agua y la tubería deberían ser drenados en caso de que pudieran estar sujetas a temperaturas bajo cero.

Luego de un período de cierre prolongado, el funcionamiento y los controles del calentador de agua deberían ser controlados

por personal calificado del servicio técnico. Asegúrese de que el calentador de agua se llene en su totalidad nuevamente antes de ponerlo en funcionamiento.

NOTA: Consulte las Precauciones sobre el Gas Hidrógeno en la Instrucciones de Funcionamiento (lea la página 3).

Limpieza del Filtro

En los modos Hybrid (Híbrido), Heat Pump (only) (Bomba de Calentamiento solamente) y High Demand/Boost (Alta Demanda/Incrementar), el calentador mueve aire a través del sistema y hacia afuera por la parte trasera de la unidad. El filtro está ubicado para proteger al evaporador de la suciedad y el polvo.

Es importante contar con un filtro de aire limpio para obtener el mayor nivel de eficiencia. Ocasionalmente, este filtro deberá ser limpiado (mínimamente una vez por año). Cuando se requiera una limpieza del filtro, la luz Roja sobre el botón Filter (Filtro) estará iluminada y sonará un pitido.

NOTA: Si el filtro está demasiado sucio, la unidad pasará automáticamente al modo Electric (Fan off)/ Standard (Fan off) (Eléctrico con ventilador apagado/ Estándar con ventilador apagado) y los ahorros de energía se perderán.

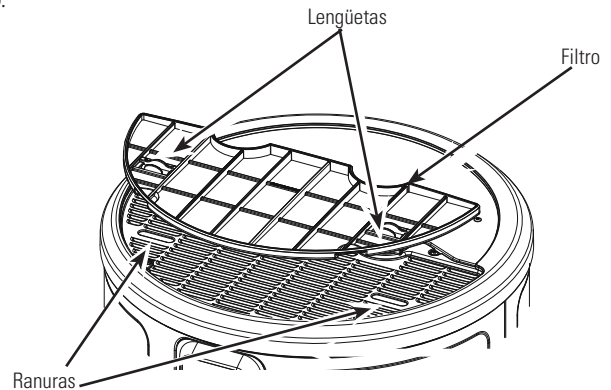
Deje el encendido activado. Retire el filtro de la parte superior de la unidad. Presione dos lengüetas y levante las mismas para retirar el filtro de aire. Una vez retirado, el filtro podrá ser aspirado o limpiado con una tela húmeda o enjuagado con agua caliente.

Una vez que el filtro fue limpiado y secado, podrá ser reemplazado alineando el mismo en las ranuras en la parte superior de la unidad y

presionando el mismo hacia abajo hasta su ubicación.

Una vez que el filtro limpio fue reinstalado, mantenga presionado el botón **FILTER (Filtro)**. Si el ciclo de calentamiento está activado cuando se reinicia el filtro, se continuará en el modo eléctrico hasta finalizar el ciclo. Luego de esto, se pasará de forma automática al modo en el cual estaba antes de ser cambiado.

IMPORTANTE: El filtro deberá ser limpiado cuando se muestre la alarma. Si el filtro está sucio, hará que el sistema se fuerce, se reducirá el rendimiento y es posible que el sistema se dañe. A fin de contar con la mejor eficiencia energética posible, asegúrese de que su filtro esté limpio.

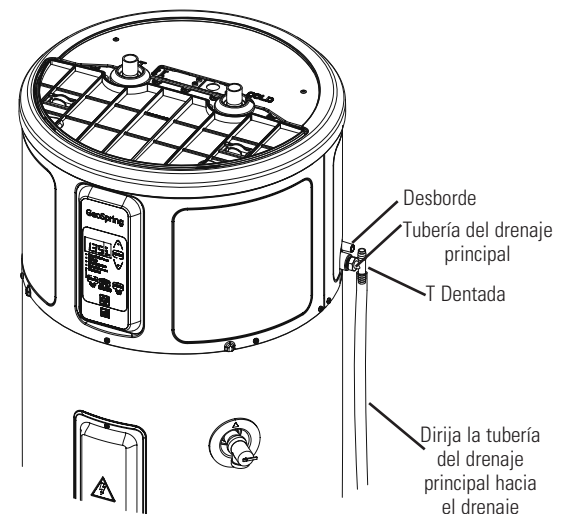


Limpieza de la Tubería de Drenaje de Condensación

La función del drenaje principal es eliminar toda la condensación. Si está obstruido, la condensación se desbordará por el tubo de drenaje y hacia el piso. Esto cumple la función de notificar al usuario de que el drenaje principal está atascado. Retire el drenaje, limpie cualquier escombros presente y vuelva a colocar el mismo.

De forma periódica, inspeccione las líneas de drenaje y limpie cualquier escombros que se haya recolectado en las líneas.

Para más información, consulte las Instrucciones de Instalación.



Superficies Exteriores

Lávese las manos sólo con agua caliente.

Varilla del Ánodo

La varilla del ánodo debería ser retirada del tanque del calentador de agua y ser inspeccionada luego de un máximo de 3 años de servicio, luego anualmente desde ese momento, y debería ser reemplazada cuando más de 6" (15.2 cm) de cable del centro queden expuestas en cada extremo de la varilla.

NOTA: El agua ablandada de forma artificial requiere que la varilla del ánodo sea inspeccionada de forma anual.

Debido a riesgos de descargas y a fin de evitar goteos de agua accidentales, esta inspección debería ser realizada por un técnico

calificado o plomero, y se requiere que el suministro de agua fría esté apagado antes de retirar la varilla del ánodo.

AVISO: No retire la varilla del ánodo del tanque del calentador de agua, excepto para su inspección y/o reemplazo, ya que el funcionamiento sin la varilla del ánodo acortará la vida útil del tanque vitrificado y anulará la cobertura de la garantía.

El consumo y reemplazo de la Varilla del Ánodo no están cubiertos por la garantía.

Mantenimiento y Servicio Técnico de la Varilla del Ánodo

PRECAUCIÓN - AVISO DE SEGURIDAD IMPORTANTE

Se espera que esta información sea usada por individuos que posean una experiencia adecuada a nivel eléctrico, electrónico y mecánico. Cualquier intento de reparar un electrodoméstico grande podrá producir como resultado lesiones personales y daños sobre la propiedad. El fabricante o vendedor no serán responsables por la interpretación de esta información, ni asumirán cualquier responsabilidad en conexión con su uso.

Herramientas que necesitará:

- Destornillador Plano T20
- Destornillador plano
- Cinta
- Llave para Tomacorriente
- Extensión de Tomacorriente de 12" de longitud
- Tomacorriente de 11/16"
- Sellador Softset
- Varilla del Ánodo si es necesaria

*Para acceder a instrucciones para ordenar piezas, consulte la página 72.

To service the Anode Rod:

1. Desconecte la corriente, cierre el suministro de agua, y parcialmente drene uno o dos galones del calentador de agua a través de la válvula de drenaje inferior.
2. Retire el Filtro, el Anillo del Borde, y la Tapa Superior Frontal como se muestra en la **Ilustración A**.

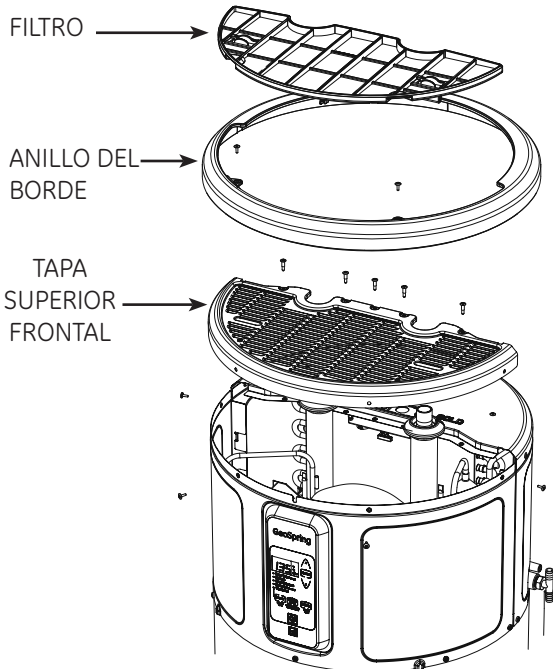


Ilustración A

3. Reinstale el Anillo del Borde, coloque una capa protectora de cinta en los extremos de la hoja metálica, y retire la Tapa de la Varilla del Ánodo, como se muestra en la **Ilustración B**.

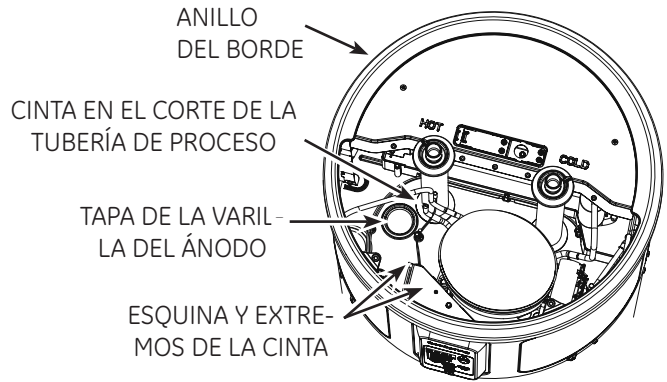


Ilustración B

4. Utilizando un destornillador plano y asegurando evitar daños sobre cables expuestos, retire la gomaespuma para destapar la Varilla del Ánodo, como se muestra en la **Ilustración C**.

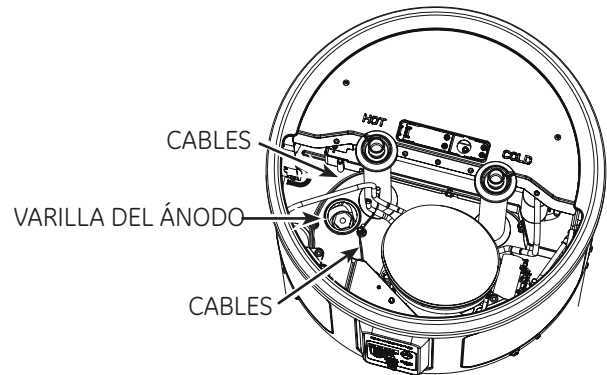


Ilustración C

5. Utilizando un tomacorriente de 11/6" y una extensión, destornille la Varilla del Ánodo, luego levante la misma para inspeccionar, como se muestra en la **ilustración D**.

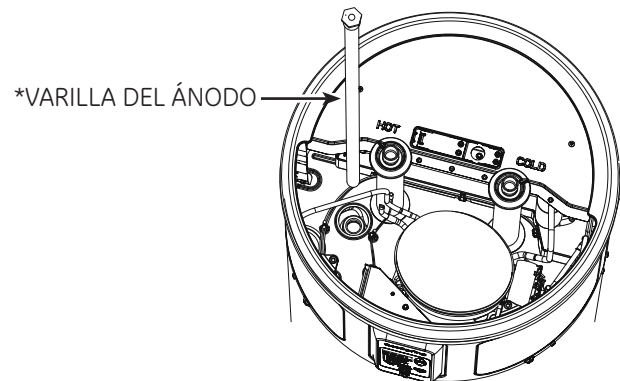


Ilustración D

6. Para instalar la Varilla del Ánodo, selle las roscas con Sellador Soft Set, enrosque en el puerto y use una llave dinamométrica para ajustar a 50 ± 5 pies por libras de giro. Reinstale la Tapa de la Varilla del Ánodo.
7. Abra el suministro de agua, abra un grifo para retirar cualquier aire que pueda haber en el sistema de plomería, inspeccione que no haya pérdidas, luego encienda la corriente y vuelva a ensamblar la unidad en orden inverso, como se muestra en la **Ilustración A**.

Al elegir la ubicación del calentador de agua se deberá tener en cuenta lo siguiente:

REGULACIONES DE INSTALACIÓN LOCALES

Este calentador de agua deberá ser instalado de acuerdo con estas instrucciones, códigos locales, códigos de servicios públicos, requisitos de la empresa de servicios públicos o, en ausencia de códigos locales, la edición más reciente del Código Nacional de Electricidad. El mismo está disponible en algunas librerías locales, o se puede adquirir a través de National Fire Prevention Association (Asociación Nacional de Prevención de Incendios), Batterymarch park, Quincy, MA 02169 en cuadernillo ANSI/NFPA 70.

REQUISITOS DE ELECTRICIDAD

Controle las marcas en la placa de calificación del calentador de agua para estar seguro de que el suministro de corriente es consecuente con los requisitos del calentador de agua. NOTA: Las instalaciones de 208V podrán experimentar un rendimiento inferior.

UBICACIÓN

Ubique el calentador de agua en un área seca y limpia, tan cerca como sea práctico del área de mayor demanda del calentador de agua. Las líneas de agua caliente largas y no aisladas podrán generar desperdicios de energía y agua. La unidad deberá ser instalada en una ubicación a nivel.

NOTA: Esta unidad fue diseñada para cualquier instalación interior común, incluyendo: garaje, lavadero, desván, armario, etc. Con la instalación de una puerta de celosía, se puede instalar en habitaciones de tamaño inferior a 10" x 10" x 7" (700 pies cúbicos). Las celosías deberían ser de 240 pulgadas cuadradas (0.15 m²) o más grandes. Si se usan dos celosías, una debería estar cerca de la parte superior de la puerta.

Coloque el calentador de agua de modo tal que el filtro de agua, la tapa, el anillo del borde y los paneles frontales se puedan retirar, a fin de permitir su inspección y servicio técnico, tal como el retiro de elementos o limpieza del filtro.

El calentador de agua y las líneas de agua deberían estar protegidos de las temperaturas bajo cero y atmósferas altamente corrosivas. No instale el calentador de agua en áreas al aire libre y desprotegidas.

⚠ PRECAUCIÓN: *Riesgo de daño sobre la propiedad* - El calentador de agua no se debería ubicar en un área donde los goteos del tanque o las conexiones resulten en daños sobre el área adyacente a éste o a pisos inferiores de la estructura. Donde dichas áreas no puedan ser evitadas, se recomienda la instalación de una bandeja de recolección, con un drenaje adecuado, debajo del calentador de agua. Las instalaciones en desvanes requieren pisos y escaleras de acceso adecuados.

NOTA: El rango de funcionamiento de la bomba de calentamiento es de 45°F a 120°F (7°C a 49°C). Si la temperatura ambiente está fuera del rango, la bomba de calentamiento se apagará y los elementos eléctricos serán usados hasta que la temperatura ambiente regrese al rango de funcionamiento.

UBICACIÓN (CONT.)

INFORMACIÓN DEL TAMAÑO DEL CALENTADOR DE AGUA – LEA ANTES DE INSTALAR:

Para reemplazos en viviendas existentes:

- **Reemplazará el tanque de un calentador de agua existente?** Si su calentador de agua actual le brindaba agua caliente en forma apropiada, y ningún cambio de plomería y/o renovaciones que requerirían demandas de agua caliente adicional están en proceso o planificadas, entonces:
- El Calentador de Agua Híbrido de GeoSpring™ puede reemplazar un calentador de agua eléctrico estándar de tamaño equivalente o menor.
- Si se pasa de un sistema de gas a uno eléctrico, el Calentador de Agua Híbrido de GeoSpring™ se podrá reemplazar por el siguiente calentador de agua con tanque de gas más pequeño.

Para instalaciones en construcciones nuevas:

Guía de Tamaño del Calentador de Agua Residencial			
Tamaño Familiar	Demanda*	Capacidad de Galón Recomendada	
		Eléctrico o GeoSpring™	Gas
5+	Alto	100 (378.5 L)	75 (283.9 L)
	Prom. o Bajo	80 (302.8 L)	50 (189.3 L)
3 a 4	Alto	80 (302.8 L)	50-75 (189.3-283.9 L)
	Prom. o Bajo	50 (189.3 L)	40 (151.4 L)
2 a 3	Alto	50 (189.3 L)	40-50 (151.4-189.3 L)
	Prom. o Bajo	40 (151.4 L)	40 (181.8 L)
1 a 2	Alto	40-50 (151.4-189.3 L)	40-50 (151.4-189.3 L)
	Prom. o Bajo	30 (113.6 L)	30 (113.6 L)

*Estimaciones para viviendas con Demanda Promedio o Baja:

- Uso de cabezales de ducha estándar o bajo (2.5 gpm/ 11.4L por minuto o menos)
- No hay duchas con cabezales múltiples y/o columnas de hidromasaje.
- Bañeras estándar (no muy grandes/ sin columnas de hidromasajes)

Posición de Ajuste de la Temperatura del Calentador de Agua:

La configuración de la temperatura del calentador de agua tiene un gran impacto sobre la cantidad de agua caliente disponible para duchas y bañeras.

- El consumo/ ahorro de energía y evaluaciones de eficiencia de los calentadores de agua, incluyendo el GeoSpring™, es realizado en una configuración de 135°F (57°C), la configuración promedio del calentador de agua de acuerdo con el Department of Energy (Departamento de Energía). Todos los ahorros de GeoSpring™ están basados en el funcionamiento en modo híbrido en 135°F (57°C).
- Las regulaciones de seguridad requieren una configuración de fábrica de 120°F a 125°F (49°C a 52°C) como máximo para todos los calentadores de agua nuevos. Por lo tanto, si su calentador de agua está actualmente configurado en 130° F (54° C) o más y su calentador de agua nuevo está instalado con una posición de ajuste configurada de fábrica de 120° F (49° C), es posible que parezca que el nuevo calentador de agua brinda menor capacidad que su calentador de agua existente.
- El usuario podrá ajustar la configuración de temperatura para cubrir sus necesidades. Siempre lea y entienda las instrucciones de seguridad que figuran en el manual del usuario, antes de ajustar la posición de ajuste de temperatura.

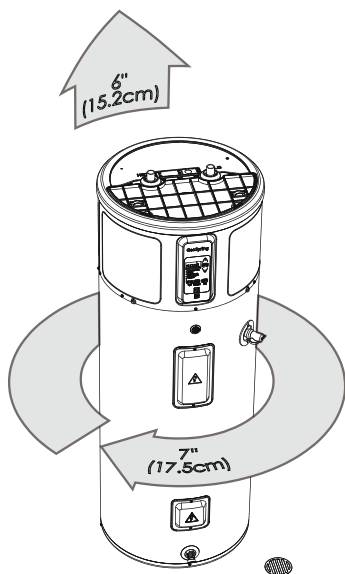
Instrucciones de Instalación

UBICACIÓN (CONT.)

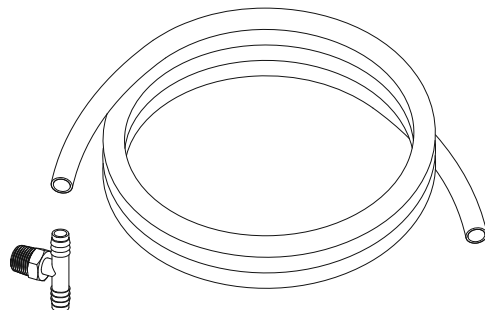
Despejes requeridos:

Debe haber por lo menos 7" (17.5 cm.) de espacio entre cualquier objeto y las tapas Frontal y Trasera en caso de ser necesario realizar el servicio técnico. También se recomienda un espacio mínimo de 7" (17.5 cm.) a ambos lados del calentador de agua, a fin de contar con acceso para el servicio técnico.

Se requiere un espacio mínimo de 6" (15.2 cm.) para retirar el filtro para su limpieza. La plomería y las conexiones eléctricas de agua caliente y fría no deben interferir con el retiro del filtro.



PIEZAS NO ESTÁNDARES NECESARIAS:



Tubería Flexible de 1-3/8" x 6".
T Dentada Macho de NPT 1-3/8" x 3/8" x 1/2".
(algunos modelos)

THERMAL EXPANSION

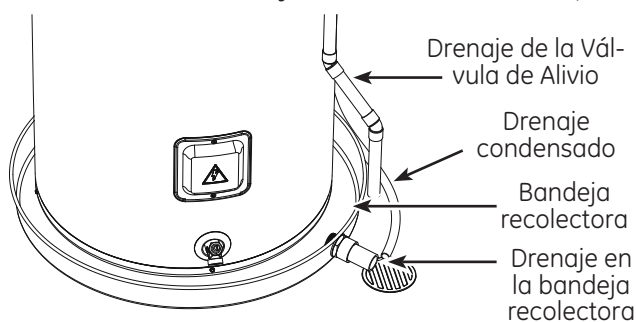
Determine si la línea de agua interna cuenta con una válvula de control. Es posible que haya sido instalada en la línea de agua fría en forma separada de la válvula contra reflujo, o es posible que sea parte de una válvula de reducción de presión, medidor de agua o ablandador de agua. Una válvula de control ubicada en la línea de entrada de agua fría puede causar lo que se llama "sistema cerrado de agua". Una línea interna de agua fría sin válvula de control o dispositivo de prevención de reflujo se llama sistema de agua "abierto".

Cuando el agua es calentada, se expande en volumen y crea un aumento de presión dentro del sistema de agua. Esta acción se conoce como "expansión térmica." En un sistema de agua "abierto", la expansión de agua que supera la capacidad del calentador de agua vuelve a fluir hacia la cañería de la ciudad, donde la presión es fácilmente disipada.

Sin embargo, un "sistema cerrado de agua" impide que el agua en expansión vuelva a fluir hacia el suministro principal, y el resultado de la "expansión térmica" puede crear un incremento de presión rápido y peligroso en el calentador de agua y la tubería del sistema. Este rápido incremento de presión puede alcanzar rápidamente la configuración de seguridad de la válvula de alivio, haciendo que funcione en cada ciclo de calentamiento. La expansión térmica, y la resultante expansión y contracción rápida y repetida de los componentes en el calentador de agua y el sistema de tubería, pueden ocasionar fallas prematuras de la válvula de alivio y posiblemente sobre el calentador mismo. ¡Reemplazar la válvula de alivio no corregirá el problema!

El método sugerido para controlar la expansión térmica es instalar un tanque de expansión en la línea de agua fría, entre el calentador de agua y la válvula de control (consulte la ilustración en la página 15). El tanque de expansión está diseñado con un colchón de aire incorporado que se comprime al incrementar la presión del sistema, liberando de este modo la presión excesiva y eliminando el funcionamiento repetido de la válvula de alivio. Otros métodos para controlar la expansión térmica también están disponibles. Para más información sobre este asunto, comuníquese con su instalador, proveedor de agua o inspector de plomería.

Instalación de la Bandeja de Recolección (Si se requiere)



NOTA: La bandeja de recolección auxiliar DEBE cumplir con los códigos locales. Los Kits de Bandejas de Recolección están disponibles en la tienda donde el calentador de agua fue adquirido, una tienda de construcción o un distribuidor de calentadores de agua. La bandeja recolectora debería ser de un mínimo de 2" (5.1 cm.) más grande que el diámetro de la base del Calentador de Agua. A fin de evitar la corrosión y mejorar el acceso a la Válvula de Drenaje, se recomienda que el calentador de agua sea ubicado en espaciadores dentro de la bandeja recolectora.

Drenaje de condensación

La unidad cuenta con un drenaje de condensación; por lo tanto, deberá haber un drenaje disponible muy cerca de la unidad. El drenaje no deberá superar las 36" (91.4 cm.) desde el suelo (el drenaje deberá cumplir con los códigos estatales y locales). Si no hay un drenaje disponible, entonces se deberá adquirir una bomba de condensación común con capacidad no inferior a 1 galón (3.8 L)/día, en la tienda de construcción local, y deberá ser instalado.

Instrucciones de Instalación

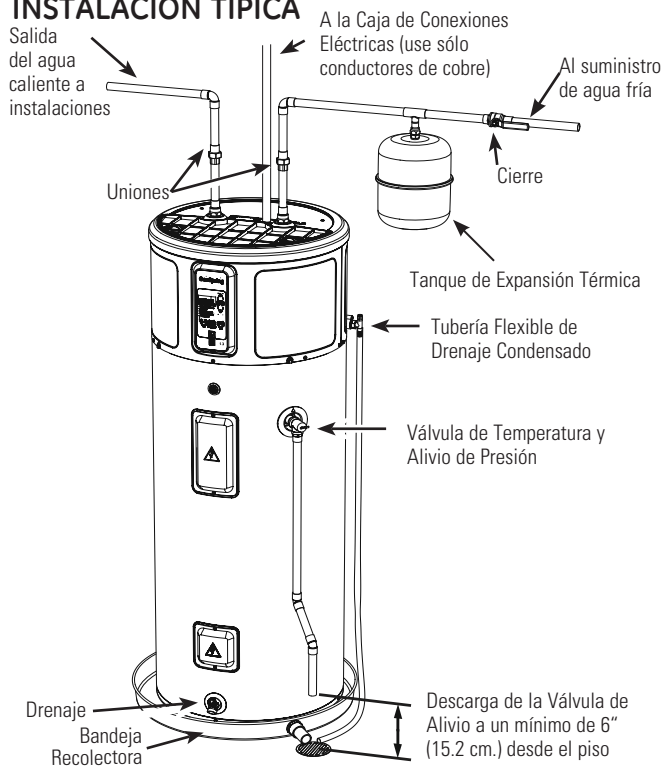
CONEXIONES DEL SUMINISTRO DE AGUA

Para conocer la instalación típica sugerida, consulte la ilustración que aparece a continuación. Las conexiones de agua CALIENTE y FRÍA están claramente marcadas y son de NPT de 3/4" en todos los modelos. Al realizar la conexión a los puertos de entrada/ salida, se recomienda el uso de accesorios cónicos hembra con rosca de 3/4" con uso de sellador de roscas. Se recomienda la instalación de uniones en las conexiones de agua caliente y fría, de modo que el calentador de agua pueda ser fácilmente desconectado para realizar el servicio técnico, en caso de ser necesario.

NOTA: Instale una válvula de cierre en la línea de agua fría cerca del calentador de agua. Esto permitirá un fácil servicio técnico y mantenimiento de la unidad en forma posterior.

IMPORTANTE: No aplique calor a las conexiones de agua CALIENTE o FRÍA. Si se usan conexiones de soldadura blanda, suelde la tubería al adaptador antes de colocar el adaptador en las conexiones de agua fría del calentador. Cualquier calor aplicado a la conexión de agua caliente o fría dañará de forma permanente la línea plástica interna en estos puertos.

INSTALACIÓN TÍPICA



VÁLVULA DE ALIVIO

⚠ ADVERTENCIA: *Riesgo de daño sobre la unidad* - El índice de presión de la válvula de alivio no debe superar los 150 PSI (1.03 kPa), la máxima presión de funcionamiento del calentador de agua según se indica en la placa de calificación.

Se suministra una válvula de combinación de temperatura y alivio de presión, de acuerdo con el Estándar para las Válvulas de Alivio y Dispositivos de Cierre Automático de Gas para los Sistemas de Suministro de Agua Caliente, ANSI Z21.22, y debe permanecer instalada en la apertura provista y marcada para su propósito en el calentador de agua. Ninguna válvula de ningún tipo debería ser instalada entre la válvula de alivio y el tanque. Se deberá cumplir con los códigos locales en la instalación de las válvulas de alivio.

La calificación BTUH de la válvula de alivio no deberá ser inferior a la calificación de entrada del calentador de agua, de acuerdo con lo indicado en la etiqueta de calificación ubicada en la parte frontal del calentador (1 watt = 3.412 BTUH).

Conecte la salida de la válvula de alivio a un drenaje abierto adecuado, de modo que el agua descargada no pueda tener contacto con las partes eléctricas activas o personas y para eliminar posibles daños con el agua.

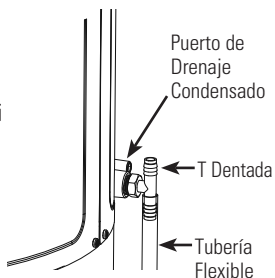
La tubería usada deberá ser de un tipo aprobado para la distribución de agua caliente. La línea de descarga no deberá ser más pequeña que la salida de la válvula y se deberá inclinar hacia abajo desde la válvula, a fin de permitir un drenaje completo (por la gravedad) de la válvula de alivio y la línea de descarga. El extremo de la línea de descarga no deberá estar insertado ni oculto y deberá estar protegido del congelamiento. Ninguna válvula de ningún tipo, sujeción para restricción o reducción deberán ser instaladas en la línea de descarga.

⚠ PRECAUCIÓN:

A fin de reducir el riesgo de presiones y temperaturas excesivas en este calentador de agua, instale equipamientos protectores de temperatura y presión, requeridos por los códigos locales y no inferiores a una válvula de combinación de temperatura y alivio de presión certificados por un laboratorio de evaluación reconocido a nivel nacional que mantenga inspecciones periódicas de la producción equipamiento y materiales listados, cumpliendo con los requisitos de Válvulas de Alivio y Dispositivos de Cierre de Gas Automáticos para Sistemas de Suministro de Agua Caliente, ANSI Z21.22. Esta válvula deberá contar con una marca de presión máxima que no supere la presión de trabajo máxima del calentador de agua. Instale la válvula en una abertura provista y marcada para este propósito en el calentador de agua, y oriente la misma o brinde una tubería, de modo que cualquier descarga de la válvula salga sólo arriba de los 6 pies, o a cualquier distancia inferior, el piso estructural, y que no tenga contacto con ninguna parte eléctrica activa. La abertura de la descarga no deberá ser bloqueada ni reducida de tamaño, bajo ninguna circunstancia.

TUBOS DE CONDENSACIÓN DE DRENAJE

Esta unidad cuenta con una bandeja de condensación. El agua recolectada en la bandeja drena por la tubería que sale por el costado de la unidad. Es importante instalar una tubería de drenaje al puerto de drenaje principal que sale de la parte trasera de la unidad. Sujete un extremo de una tubería más larga de 6" (1.8 m.) al puerto de drenaje inferior en la parte trasera de la unidad, debajo de la tapa trasera. Dirija el otro extremo a un drenaje en el piso o a una altura no superior a 3" (0.9 m.) sobre el piso. Si dicho drenaje no está disponible, se deberá adquirir e instalar una bomba de drenaje de condensación (no provista). La tubería de drenaje deberá ser dirigida de modo que el agua descargada no pueda tener contacto con partes eléctricas activas ni personas, y a fin de eliminar posibles daños con el agua.



Instrucciones de Instalación

PARA LLENAR EL CALENTADOR DE AGUA

⚠ ADVERTENCIA: *Riesgo de daño sobre la unidad* - El tanque debe estar lleno de agua antes de encender el calentador. La garantía del calentador de agua no cubre daños ni fallas como resultado de un funcionamiento con el tanque vacío o parcialmente vacío.

Asegúrese de que la válvula de drenaje esté completamente cerrada.

Abra la válvula de cierre en la línea de suministro de agua fría.

Abra todos los grifos de agua caliente lentamente, a fin de permitir que el aire se descargue desde el calentador de agua y la tubería.

Un flujo parejo desde el grifo(s) de agua caliente indica que el calentador de agua está lleno.

Código de falla F11" durante la instalación: Si la unidad es encendida cuando el tanque no está lleno, se visualizará el código de error "F11" en la pantalla. Apague el encendido, llene el tanque con agua (lea más arriba), y luego vuelva a encender el calentador.

AVISO:

Evite realizar las conexiones eléctricas en forma equivocada. Se deberán aplicar 240V AC o 208AC a través de los cables L1 y L2, como se muestra en la ilustración de la "caja de unión del calentador de agua". Si no se hace esto, la garantía quedará ANULADA, y como resultado se podrán aplicar 120V al calentador de agua, lo cual podrá dañar el compresor u otros componentes eléctricos.

Si un cable con 4 conductores es suministrado al calentador de agua, cubra el neutro, y conecte los cables restantes como se muestra en la ilustración.

NOTA RELACIONADA CON LOS DISPOSITIVOS DE MANEJO DE ENERGÍA DE LOS SERVICIOS PÚBLICOS (A veces llamados Interruptores de Reducción de Picos de Carga):

Existen algunos dispositivos de interruptores de manejo de energía o incluso algunos interruptores básicos de temporizadores que REDUCEN el voltaje de 240V a 120V durante períodos de alta demanda de electricidad. Estos dispositivos deben ser retirados del circuito que provee corriente al calentador de agua, debido al posible daño de la unidad observado más arriba.

Sin embargo, los dispositivos con interruptores que cortan la corriente de 240V a 0V en forma periódica son aceptables.

Código de falla "bAd linE" durante la instalación: Si en la pantalla se visualiza la unidad no está recibiendo el voltaje correcto como resultado de un cableado incorrecto. Para corregir esta falla, apague la unidad, corrija el problema del cableado y luego vuelva a activar la corriente.

CONEXIONES ELÉCTRICAS

Un electricista calificado deberá instalar un circuito derivado individual con conductores de cobre, un dispositivo para la protección de sobrecarga y un medio adecuado de desconexión.

Todos los cableados deberán cumplir con los códigos locales o la edición más reciente del Código Nacional de Electricidad ANSI/NFPA 70.

El calentador de agua está completamente cableado a la caja de conexiones en la parte superior del calentador de agua. Se brinda una abertura de ½" para accesorios eléctricos para conexiones de cableados.

Los requisitos de carga de voltaje y vataje del calentador de agua son especificados en la etiqueta de calificación ubicada en la parte frontal del calentador de agua.

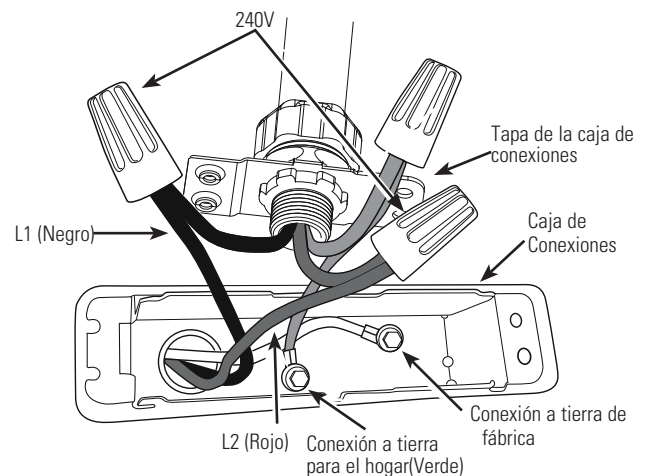
El cableado de circuito derivado debería incluir:

1. Conducto metálico o cable metálico enfundado aprobado para su uso como conductor de conexión a tierra y ser instalado con accesorios aprobados para dicho propósito.
2. Los cables no metálicos enfundados, conductos metálicos o cables metálicos enfundados no aprobados para uso como conductor de conexión a tierra incluirán un conductor separado para la conexión a tierra. Debería estar adjunto a las terminales de conexión a tierra del calentador de agua y la caja de distribución eléctrica.

Para conectar la corriente al calentador de agua:

1. Apague la corriente.
2. Retire el tornillo/ tornillos que sostienen la tapa superior de la caja de unión.
3. Instale L1 a L1, L2 a L2 y conecte a tierra al cable a tierra verde conectado a la parte inferior de la caja de unión.

NOTA: Instale las conexiones eléctricas de acuerdo con los códigos locales o la edición más reciente del Código Nacional de Electricidad ANSI/NFPA 70.



⚠ ADVERTENCIA: Es esencial que la conexión a tierra sea la adecuada. La presencia de agua en la tubería y el calentador de agua no brindan la conducción suficiente para la conexión a tierra. La tubería no metálica, uniones dieléctricas, conectores flexibles, etc., pueden hacer que el calentador de agua quede eléctricamente aislado. No desconecte la conexión a tierra de fábrica.

La garantía del fabricante no cubre ningún daño o defecto ocasionado por la instalación, adhesión o uso de ningún tipo de ahorro de energía u otros dispositivos no aprobados (diferentes a aquellos autorizados por el fabricante) en, sobre o junto con el calentador de agua. El uso de dispositivos de ahorro de energía no autorizados pueden acortar la vida útil del calentador de agua y poner en riesgo su vida y su propiedad.

El fabricante queda eximido de toda responsabilidad por dicha pérdida o lesión resultante del uso de tales dispositivos no autorizados.

Si los códigos locales requieren la aplicación externa de kits de mantas aislantes, las instrucciones del fabricante incluidas en el kit se deberán seguir cuidadosamente.

La aplicación de cualquier aislante externo, mantas o aislante de la tubería de agua sobre este calentador de agua requerirá especial cuidado sobre lo siguiente:

- No cubra la válvula de temperatura y alivio de presión.
- No cubra los paneles de acceso a los elementos de calefacción.
- No cubra la caja de unión eléctrica del calentador de agua.
- No cubra las etiquetas de funcionamiento o advertencia del calentador de agua ni intente reubicar las mismas en la parte exterior de la manta aislante.
- No bloquee la entrada/ salida de aire en las tapas superiores o traseras de la unidad.

NOTA: En esta guía se recomienda el tamaño mínimo del circuito derivado en base al Código Nacional de Electricidad. Para las conexiones de cableados, consulte los diagramas de cableados del manual.

GUÍA DE TAMAÑOS PARA CIRCUITOS DERIVADOS

Voltaje Total del Calentador de Agua	Protección Recomendada para Sobrecarga (calificación de amperaje de fusible o interruptor de circuitos)			
	208V	240V	277V	480V
3,000	20	20	15	15
4,000	25	25	20	15
4,500	30	25	25	15
5,000	30	30	25	15
5,500	35	30	25	15
6,000	40	35	30	20
8,000	50	45	40	25
9,000	-	50	45	25
10,000	-	-	50	30
11,000	-	-	50	30
12,000	-	-	-	35

Voltaje Total del Calentador de Agua	Tamaño del Cable de Cobre AWG Basado en la Tabla N.E.C. 310-16 (167° F/ 75° C).			
	208V	240V	277V	480V
3,000	12	12	14	14
4,000	10	10	12	14
4,500	10	10	10	14
5,000	10	10	10	14
5,500	8	10	10	14
6,000	8	8	10	12
8,000	8	8	8	10
9,000	-	8	8	10
10,000	-	-	8	10
11,000	-	-	8	10
12,000	-	-	-	8

Instrucciones de Instalación

LISTA DE CONTROL DE LA INSTALACIÓN

- 1. Ubicación del Tanque:**
 - ¿Requiere el tamaño de la habitación una puerta de celosía o un tipo de ventilación similar? Se necesita un área de flujo de aire de 10" x 10" x 7" (700 pies cúbicos) o 240 pulgadas cuadradas (0.15 m²).
 - Parte trasera de la unidad **alejada de la pared** 7 pulgadas (17.5 cm.), y los costados por lo menos a una distancia de 7 pulgadas (17.5 cm.).
 - El **frente** de la unidad está libre y despejado.
 - ¿Está el calentador de agua nivelado? Si no es así, agregue cuñas debajo de la base de la unidad.
- 2. Verifique que el Filtro de Aire esté instalado. (Ubicado en el embalaje).**
- 3. Conexiones de plomería:**
 - No impiden la eliminación del filtro de aire
 - No hay pérdidas luego de llenar el tanque de agua, tanto cuando el agua está fluyendo como cuando no.
- 4. Las líneas de condensación están en su lugar:**
 - Drenaje Principal Instalado
- 5. La válvula de temperatura y alivio de presión** está funcionando y la línea de drenaje está completa de acuerdo con el código local.
- 6. Verificación Eléctrica** 208/240 VAC a L1 y L2 al tanque.
- 7. La conexión Eléctrica** no impide la eliminación del filtro de aire.
- 8. Verifique las pantallas del panel de control** en el modo Hybrid (Híbrido) a 120°F (49°C). Asista al usuario en el ajuste de temperatura y modos (consulte la sección "Acerca de la Configuración de la Temperatura del Agua") en la página 54).

QUÉ ESPERAR PARA UN "COMIENZO NORMAL" EN EL MODO HÍBRIDO

Luego de instalar la unidad, habiendo asegurado y controlado todas las conexiones eléctricas y de agua, se deberá entonces llenar la misma con agua (ventile el tanque abriendo una canilla de agua caliente de su casa para permitir que el tanque se llene completamente de agua). Una vez que el tanque esté lleno y la carga de corriente sea completada, podrá experimentar lo siguiente:

Tiempo Transcurrido	Acciones HEWH	Comentarios
0 a 2 minutos	La unidad hara la autoverificación	Este tiempo apagado de 2 minutos evita daños sobre el compresor
2 a 10 minutos	Compresor y ventilador encendidos	Este período de 8 minutos es usado para asegurar que el tanque está lleno de agua (algoritmo de prevención de disparo en vacío).
10 a 30 minutos	Compresor y ventilador apagados, elementos de calentamiento encendidos por unos 20 minutos	Para brindar rápidamente la cantidad inicial de agua caliente para el usuario (unos 25 galones/94.6 L)
30 minutos y más	El elemento superior se apaga y el compresor se vuelve a encender	Usa un bombeo de calor eficiente durante la mayor parte del calentamiento

NOTA: El rango de funcionamiento de la bomba de calentamiento es de 45°F a 120°F (7°C a 49°C). Si la temperatura ambiente está fuera del rango, la bomba de calentamiento se apagará y los elementos eléctricos serán usados hasta que la temperatura ambiente regrese al rango de funcionamiento.



Antes de solicitar el servicio técnico...
¡Ahorre tiempo y dinero! Lea primero el cuadro que aparece a continuación y es posible que no necesite solicitar reparaciones...

Problema	Causas Posibles	Qué Hacer
El calentador de agua emite sonidos	Se está usando un ventilador para mover el aire a través del sistema.	<ul style="list-style-type: none"> Cierta cantidad de sonido del ventilador es normal. Si escucha un sonido atípico o el nivel de sonido parece inusualmente fuerte, entonces contacte al servicio técnico.
El calentador de agua está haciendo descender la temperatura de la habitación	La habitación no es ventilada de forma adecuada o es demasiado pequeña	<ul style="list-style-type: none"> Si el tamaño de la habitación es inferior a 10' x 10' x 7' (3m x 3m x 2.1m), entonces deberá contar con una puerta de celosía u otro medio que permita el recambio de aire con las habitaciones circundantes.
	El calor es retirado del aire para calentar el agua	<ul style="list-style-type: none"> Ésto es normal
Goteo de agua por fuera del calentador	El drenaje condensado está atascado.	<ul style="list-style-type: none"> Despeje cualquier escombros en el puerto de drenaje de la unidad.
	Las conexiones de agua Caliente/ Fría no están ajustadas.	<ul style="list-style-type: none"> Ajuste las conexiones internas y externas de la tubería.
Sin suficiente agua caliente o sin agua caliente	Es posible que la temperatura del agua esté configurada demasiado baja.	<ul style="list-style-type: none"> Consulte la sección Acerca de la Configuración de la Temperatura del Agua.
	El patrón de uso del agua caliente supera la capacidad del calentador de agua en el modo actual	<ul style="list-style-type: none"> Cambie a un modo diferente de o modifique el patrón de uso.
	Es posible que el uso del agua haya superado la capacidad del calentador de agua.	<ul style="list-style-type: none"> Espere a que el calentador de agua se recupere luego de una demanda anormal.
	La temperatura del ambiente demasiado baja	<ul style="list-style-type: none"> A fin de que el calentador de agua funcione correctamente, su ubicación deberá tener una temperatura de entre 32° y 150° F para el modo Eléctrico Estándar y entre 45° y 120° F para el resto de los modos.
	Es posible que la temperatura del agua fría entrante sea más fría durante los meses de invierno.	<ul style="list-style-type: none"> Esto es normal. Cuanto más fría sea el agua entrante, más tiempo le tomará calentarse
	Grifos de agua caliente que gotean o están abiertos.	<ul style="list-style-type: none"> Asegúrese de que todos los grifos estén cerrados.
	Largas extensiones de tubería expuesta, o tubería de agua caliente en pared externa.	<ul style="list-style-type: none"> Aísle la tubería.
	Sin espacio suficiente para permitir que circule aire para la bomba del calentador.	<ul style="list-style-type: none"> Asegúrese de que la unidad esté a una distancia de 7" de la pared.
	El tamaño de la habitación no es el apropiado para agua caliente.	<ul style="list-style-type: none"> Si el tamaño de la habitación es inferior a 10" x 10" x 7" (700 pies cúbicos), instale una puerta de celosía o una ventilación similar.
	Se quemó un fusible o se desactivó el disyuntor.	<ul style="list-style-type: none"> Reemplace el fusible o reinicie el disyuntor.
	Es posible que se haya interrumpido el servicio de electricidad en su hogar.	<ul style="list-style-type: none"> Comuníquese con su proveedor local del servicio eléctrico.
	Cableado inadecuado	<ul style="list-style-type: none"> Lea la sección de Instrucciones de Instalación.
	Límite de reinicio manual (TCO).	<ul style="list-style-type: none"> Consulte la sección Control de Seguridad en la página 52.
	Las conexiones de agua a la unidad están invertidas.	<ul style="list-style-type: none"> Conexiones de tuberías correctas.
Es posible que el suministro de electricidad esté desconectado.	<ul style="list-style-type: none"> Asegúrese de que las conexiones eléctricas estén conectadas correctamente y desconecte el interruptor; si se usa, está en la posición ON (Encendido). 	

Solución de Problemas...

Problema	Causas Posibles	Qué Hacer
<i>El agua está demasiado caliente</i>	La configuración de la temperatura del agua es demasiado alta. ⚠ PRECAUCIÓN: Para su seguridad, NO intente reparar cableados eléctricos, controles, elementos de calentamiento u otros dispositivos de seguridad. Derive las reparaciones a personal calificado del servicio técnico.	<ul style="list-style-type: none"> Consulte la sección Acerca de la Configuración de la Temperatura del Agua.
	El control electrónico falló.	<ul style="list-style-type: none"> Llame al servicio técnico.
<i>Sonido ensordecedor</i>	Las condiciones del agua en su hogar ocasionaron una acumulación de sarro y depósitos minerales en los elementos de calentamiento.	<ul style="list-style-type: none"> Retire y limpie los elementos de calentamiento. Esto sólo debería ser realizado por personal calificado del servicio técnico.
<i>La válvula de alivio produce un chisporroteo o drenaje</i>	Acumulación de presión ocasionada por expansión térmica en un sistema cerrado.	<ul style="list-style-type: none"> Ésta es una condición inaceptable y debe ser corregida. Para obtener información sobre cómo corregir esto, comuníquese con un proveedor de agua o con un contratista de plomería. No enchufe la ficha de la válvula de alivio.
<i>El calentador está emitiendo un pitido y la pantalla indica F11</i>	El calentador de agua no fue llenado con agua antes de ser encendido. Encender el calentador sin agua dañará los calentadores eléctricos. La garantía del calentador de agua no cubre daños ni fallas como resultado de un funcionamiento con el tanque vacío o parcialmente vacío.	<ul style="list-style-type: none"> Llene el tanque completamente con agua. Presione ENTER (Ingresar) para detener la alarma y luego presione POWER (Encender) cuando el tanque haya sido llenado.
<i>La luz del filtro está encendida.</i>	El filtro requiere una limpieza. Para un funcionamiento efectivo, es necesario que el filtro esté limpio.	<ul style="list-style-type: none"> Siga las instrucciones sobre cómo retirar y limpiar el filtro, en la página 59.
<i>El calentador está emitiendo un pitido y la pantalla indica "FA-F8"</i>	Existe un problema con el sistema de la bomba de calentamiento.	<ul style="list-style-type: none"> La unidad cambiará automáticamente a otro modo disponible a fin de asegurar que usted continúe teniendo agua caliente. Comuníquese inmediatamente con el servicio técnico y brinde los códigos que figuran en la pantalla de visualización.
<i>El calentador está emitiendo un sonido y en la pantalla titila un</i>	Existe un problema con el calentador de agua que requiere atención inmediata. <i>código de error</i>	<ul style="list-style-type: none"> El calentador podrá cambiar a otro modo de calentamiento disponible. Comuníquese de forma inmediata con el servicio técnico. A fin de detener el pitido (a menos que el código de error sea F2, F-11 o bAd linE), presione el botón con flecha hacia arriba o con flecha hacia abajo y la alarma se detendrá y la pantalla regresará a la visualización normal (temporizador configurado).
<i>El calentador de agua está emitiendo un pitido y en la pantalla titila "bAd linE"</i>	La unidad no está recibiendo 240VAC como se espera.	<ul style="list-style-type: none"> Apague el calentador de agua (generalmente en el panel del disyuntor). Luego lea la sección "Conexiones Eléctricas" en Instrucciones de Instalación, en la página 64. Luego, comuníquese con el instalador para verificar la entrada eléctrica del calentador de agua.

Problema	Causas Posibles	Qué Hacer
<i>El Agua Caliente tiene olor a huevo podrido o azufre</i>	Ciertos suministros de agua con alto contenido de sulfato reaccionarán con la varilla del ánodo que está presente en todos los calentadores de agua para la protección del tanque corrosión.	<ul style="list-style-type: none"> El olor puede ser producido o eliminado en la mayoría de los calentadores de agua, reemplazando la varilla del ánodo con un material de varilla menos activo. En algunos casos, es posible que sea necesario agregar el paso de clorar el calentador de agua y todas las líneas de agua caliente para la protección de la corrosión. Para acceder a opciones e instrucciones, comuníquese con su plomero o con el profesional local sobre el agua Para información sobre cómo adquirir este reemplazo de la varilla del ánodo, comuníquese a GE al 1.888.4GE.HEWH (1.888.443.4394). Personal calificado del servicio técnico o un plomero deberían realizar este reemplazo. El uso de una varilla de ánodo no aprobada por GE, o el uso del calentador de agua sin una varilla de ánodo aprobada por GE ANULARÁN la garantía.
<i>La unidad no está produciendo sonidos normales.</i>	<i>Si la unidad utiliza elementos con resistencias, no producirá sonidos de ventilador o compresor.</i>	<ul style="list-style-type: none"> Controle el modo de la unidad.

Para solicitar el servicio técnico, comuníquese al 1.888.4GE.HEWH (1.888.443.4394)

Códigos de falla. .

Código de Falla Exhibido	Condición	Acción
FA	T4 No Sube	Llame al servicio técnico
FB	Tiempo de Descarga Inestable	Llame al servicio técnico
FC	El Evaporador No Está Libre de Escarcha	Llame al servicio técnico
FD	Alto Nivel de Calor Demasiado Bajo	Llame al servicio técnico
FE	Temperatura de Descarga Por Encima del Límite	Llame al servicio técnico
FF	Válvula de Expansión Electrónica Fuera del Rango	Llame al servicio técnico
FG*	Control de Temperatura Ambiente T5	Datos del servicio técnico
FH*	Prueba de Carga del Compresor	Datos del servicio técnico
FI*	Prueba de pérdidas del refrigerante	Llame al servicio técnico
F2	Falla del Sensor de Temperatura del Tanque T2	Llame al servicio técnico
F3	Falla del Compresor	Llame al servicio técnico
F4	Falla del Ventilador	Llame al servicio técnico
F5	Falla del Sensor T3a (temperatura de entrada del evaporador)	Llame al servicio técnico
F6	Falla del Sensor T3a (temperatura de salida del evaporador)	Llame al servicio técnico
F7	Falla del Sensor T4 (salida del compresor)	Llame al servicio técnico
F8	Falla del Sensor T5 (temperatura ambiente)	Llame al servicio técnico
F9	Falla del Elemento de Calentamiento Inferior	Llame al servicio técnico
F10	Falla del Elemento de Calentamiento Superior	Llame al servicio técnico
F11	Falla del Tanque de Secado	Lea la página 64.
bAd linE (F12)	El voltaje es demasiado bajo en el encendido	Lea la página 64.
F13	Falla por Tecla Atorada	Llame al servicio técnico
Dirty Filter (F14)	El filtro está sucio	Lea la página 59.
F15	Falla de DataFlash	Llame al servicio técnico

* Algunos Modelos

GE Hybrid Water Heater Warranty.



All warranty service provided by our Authorized Servicer Network. To schedule service, call 888.4GE.HEWH (888.443.4394). Please have serial number and model number available when calling for service.

Staple your receipt here. Proof of the original purchase date is needed to obtain service under the warranty.

For The Period Of: We Will Replace:

One Year

From the date of the original purchase

Any part of the Hybrid Water Heater which fails due to a defect in materials or workmanship. During this **limited one-year warranty**, GE will also provide, **free of charge**, all labor and related service to replace the defective part.

Second through Tenth Year

From the date of the original purchase

Any part of the Hybrid Water Heater which fails due to a defect in materials or workmanship. During this **limited ten-year parts warranty**, labor and related service to replace the defective part are not included.

What Is Not Covered:

- Service trips to your home to teach you how to use the product.
- Improper installation, delivery or maintenance.
- Failure of the product if it is abused, misused, altered, used commercially or used for other than the intended purpose.
- Use of this product where water is microbiologically unsafe or of unknown quality, without adequate disinfection before or after the system.
- Replacement of house fuses or resetting of circuit breakers.
- Damage to the product caused by accident, lightning, fire, flood or acts of God.
- Incidental or consequential damage caused by possible defects with this appliance, its installation or repair.
- Product not accessible to provide required service in a safe manner. Attic installation must have flooring and accessible stairs.
- If product removed from original installation location.
- Damages, malfunctions or failure caused by the use of repair service not approved by GE.
- Damages, malfunctions or failure caused by the use of unapproved parts or components.
- Damages, malfunctions or failure caused by operating the heat pump water heater with the anode rod removed.
- Consumo y reemplazo de la varilla del ánodo.
- Damages, malfunctions or failure resulting from operating the heat pump with an empty or partially empty tank.
- Damages, malfunctions or failure caused by subjecting the tank to pressure greater than those shown on the rating label.
- Damages, malfunctions or failure caused by operating the heat pump water heater with electrical voltage outside the voltage range listed on the rating label.
- Water heater failure due to the water heater being operated in a corrosive atmosphere.

EXCLUSION OF IMPLIED WARRANTIES—Your sole and exclusive remedy is product repair as provided in this Limited Warranty. Any implied warranties, including the implied warranties of merchantability or fitness for a particular purpose, are limited to one year or the shortest period allowed by law.

This warranty is extended to the original purchaser and any succeeding owner for products purchased for home use within the USA. If the product is located in an area where service by a GE Authorized Servicer is not available, you may be responsible for a trip charge or you may be required to bring the product to an Authorized GE Service location for service. In Alaska, the warranty excludes the cost of shipping or service calls to your home.

Some states do not allow the exclusion or limitation of incidental or consequential damages. This warranty gives you specific legal rights, and you may also have other rights which vary from state to state. To know what your legal rights are, consult your local or state consumer affairs office or your state's Attorney General.

For product purchased outside of the US, contact your dealer for Warranty and Service information.

Warrantor for Products Purchased in the United States: General Electric Company, Louisville, KY 40225.

Soporte al consumidor.



Página Web de GE Appliances

GEAppliances.com

¿Tiene alguna pregunta sobre su electrodoméstico? ¡Pruebe la página Web de GE Appliances 24 horas al día, cualquier día del año! Para mayor conveniencia y servicio más rápido, ya puede descargar los Manuales de los Propietarios o pedir piezas en línea.



Solicite una reparación

GEAppliances.com

El servicio de expertos GE está a tan sólo un paso de su puerta. Solicite su reparación cuando le venga llamando al 800.GE.CARES (800.432.2737) durante horas normales de oficina.



Real Life Design Studio (Estudio de diseño para la vida real)

GEAppliances.com

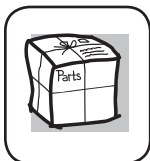
GE apoya el concepto de Diseño Universal—productos, servicios y ambientes que pueden usar gente de todas las edades, tamaños y capacidades. Reconocemos la necesidad de diseñar para una gran gama de habilidades y dificultades físicas y mentales. Para más detalles sobre las aplicaciones de GE Diseño Universal, incluyendo ideas de diseño para la cocina para personas con discapacidades, mire nuestra página Web hoy mismo. Para personas con dificultades auditivas, favor de llamar al 800.TDD.GEAC (800.833.4322).



Garantías ampliadas

GEAppliances.com

Compre una garantía ampliada y obtenga detalles sobre descuentos especiales disponibles mientras su garantía está aún activa. Puede comprarla en línea en cualquier momento, o llamar al (800.626.2224) durante horas normales de oficina. GE Consumer Home Services estará aún ahí cuando su garantía termine.

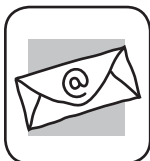


Piezas y accesorios

GEAppliances.com

Aquellos individuos con la calificación necesaria para reparar sus propios electrodomésticos pueden pedir que se les manden las piezas o accesorios directamente a sus hogares (aceptamos las tarjetas VISA, MasterCard y Discover). Haga su pedido en línea hoy, 24 horas cada día o llamar por teléfono al 800.626.2002 durante horas normales de oficina.

Las instrucciones descritas en este manual cubren los procedimientos a seguir por cualquier usuario. Cualquier otra reparación debería, por regla general, referirse a personal calificado autorizado. Debe ejercerse precaución ya que las reparaciones incorrectas pueden causar condiciones de funcionamiento inseguras.



Póngase en contacto con nosotros

GEAppliances.com

Si no está satisfecho con el servicio que recibe de GE, póngase en contacto con nosotros en nuestra página Web indicando todos los detalles así como su número de teléfono o escribanos a:

General Manager, Customer Relations
GE Appliances, Appliance Park
Louisville, KY 40225



Registre su electrodoméstico

GEAppliances.com

¡Registre su nuevo electrodoméstico en línea—cuando usted prefiera! El registrar su producto a tiempo le proporcionará, si surgiera la necesidad, una mejor comunicación y un servicio más rápido bajo los términos de su garantía. También puede enviar su tarjeta de registro pre-impresa que se incluye en el material de embalaje o recorte y use el formulario de este Manual del Propietario.

Consumer Support.



GE Appliances Website

In the U.S.: **GEAppliances.com**

Have a question or need assistance with your appliance? Try the GE Appliances Website 24 hours a day, any day of the year! For greater convenience and faster service, you can now download Owner's Manuals, order parts, or even schedule service on-line. In Canada: www.GEAppliances.ca



Schedule Service

In the U.S.: **GEAppliances.com**

Expert GE repair service is only one step away from your door. Schedule your service at your convenience by calling 800.GE.CARES (800.432.2737) during normal business hours.

In Canada, call 1.800.561.3344



Real Life Design Studio

In the U.S.: **GEAppliances.com**

GE supports the Universal Design concept—products, services and environments that can be used by people of all ages, sizes and capabilities. We recognize the need to design for a wide range of physical and mental abilities and impairments. For details of GE's Universal Design applications, including kitchen design ideas for people with disabilities, check out our Website today. For the hearing impaired, please call 800.TDD.GEAC (800.833.4322).

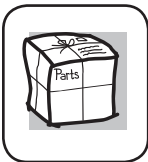
In Canada, contact: Manager, Consumer Relations, Mabe Canada Inc.
Suite 310, 1 Factory Lane
Moncton, N.B. E1C 9M3



Extended Warranties

In the U.S.: **GEAppliances.com**

Purchase a GE extended warranty and learn about special discounts that are available while your warranty is still in effect. You can purchase it on-line anytime, or call 800.626.2224 during normal business hours. GE Consumer Home Services will still be there after your warranty expires. In Canada, call 1.888.261.2133



Parts and Accessories

In the U.S.: **GEAppliances.com**

Individuals qualified to service their own appliances can have parts or accessories sent directly to their homes (VISA, MasterCard and Discover cards are accepted). Order on-line today, 24 hours every day or by phone at 800.626.2002 during normal business hours.

Instructions contained in this manual cover procedures to be performed by any user. Other servicing generally should be referred to qualified service personnel. Caution must be exercised, since improper servicing may cause unsafe operation.

Customers in Canada should consult the yellow pages for the nearest Mabe service center, or call 1.800.661.1616.



Contact Us

In the U.S.: **GEAppliances.com**

If you are not satisfied with the service you receive from GE, contact us on our Website with all the details including your phone number, or write to:

General Manager, Customer Relations
GE Appliances, Appliance Park
Louisville, KY 40225

In Canada: www.GEAppliances.ca, or write to: Director, Consumer Relations, Mabe Canada Inc.
Suite 310, 1 Factory Lane
Moncton, N.B. E1C 9M3



Register Your Appliance

In the U.S.: **GEAppliances.com**

Register your new appliance on-line—at your convenience! Timely product registration will allow for enhanced communication and prompt service under the terms of your warranty, should the need arise. You may also mail in the pre-printed registration card included in the packing material, or detach and use the form in this Owner's Manual. In Canada: www.GEAppliances.ca

Free Manuals Download Website

<http://myh66.com>

<http://usermanuals.us>

<http://www.somanuals.com>

<http://www.4manuals.cc>

<http://www.manual-lib.com>

<http://www.404manual.com>

<http://www.luxmanual.com>

<http://aubethermostatmanual.com>

Golf course search by state

<http://golfingnear.com>

Email search by domain

<http://emailbydomain.com>

Auto manuals search

<http://auto.somanuals.com>

TV manuals search

<http://tv.somanuals.com>