



Hybrid Electric Residential Water Heaters

Safety Information2, 3

Operating Instructions4-11

Care and Cleaning12, 13

Installation Instructions ...14-18

Troubleshooting Tips19, 20

Consumer Support22, 68

Owner's Manual & Installation Instructions

GEH50DNSRSA
GEH50DXSRGA

Chauffe-eau résidentiel hybride électrique

**Manuel d'utilisation
et d'installation**

La section française commence à la page 23

Calentadores de agua residenciales eléctricos híbridos

**Manual del propietario
e instalación**

La sección en español empieza en la página 45

Write the model and serial numbers here:

Model # _____

Serial # _____

You can find them on the rating label on the front side of your water heater.

IMPORTANT SAFETY INFORMATION.

READ ALL INSTRUCTIONS BEFORE USING.

⚠️ **WARNING!**

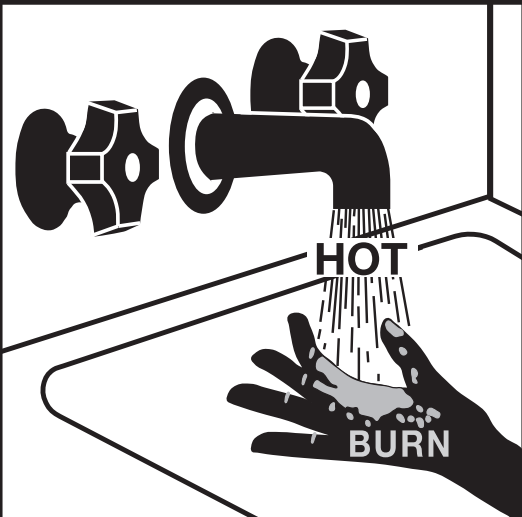
For your safety, the information in this manual must be followed to minimize the risk of fire or explosion, electric shock, or to prevent property damage, personal injury, or loss of life.

Be sure to read and understand the entire Owner's Manual before attempting to install or operate this water heater. It may save you time and cost. Pay particular attention to the Safety Instructions. Failure to follow these warnings could result in serious bodily injury or death. Should you have problems understanding the instructions in this manual, or have any questions, STOP and get help from a qualified service technician or the local electric utility.

WATER TEMPERATURE ADJUSTMENT

Safety and energy conservation are factors to be considered when selecting the water temperature setting via the water heater's user interface. Water temperatures above 125°F can cause severe burns or death from scalding. Be sure to read and follow the warnings outlined on the label pictured below. This label is also located on the water heater near the top of the tank.

⚠️ DANGER



Water temperature over 125°F can cause severe burns instantly or death from scalds.

The electronic temperature control setting usually approximates tap water temperature. However, factors could cause water temperature to reach 160°F regardless of the control setting. Always feel water before bathing and showering.

Children, disabled and elderly are at highest risk of being scalded.

See instruction manual before setting temperature at water heater.

Feel water before bathing or showering.

Temperature limiting valves are available; see manual.

Mixing valves for reducing point-of-use water temperature by mixing hot and cold water in branch water lines are available. Contact a licensed plumber or the local plumbing authority for further information.

Time/Temperature Relationship in Scalds

Temperature	Time to Produce a Serious Burn
120°F	More than 5 minutes
125°F	1-1/2 to 2 minutes
130°F	About 30 seconds
135°F	About 10 seconds
140°F	Less than 5 seconds
145°F	Less than 3 seconds
150°F	About 1-1/2 seconds
155°F	About 1 second

Table courtesy of Shriners Burn Institute

The chart shown above may be used as a guide in determining the proper water temperature for your home.

NOTE: Households with small children, disabled or elderly persons may require a 120°F or lower thermostat setting to prevent contact with "HOT" water.

⚠️ DANGER: There is a Hot Water SCALD Potential if the control water temperature is set too high.

⚠️ **WARNING!**

Gasoline, as well as other flammable materials and liquids (adhesives, solvents, etc.), and the vapors they produce are extremely dangerous. DO NOT handle, use or store gasoline or other flammable or combustible materials anywhere near or in the vicinity of a water heater. The arc drawn in the water heater controls can ignite these vapors. Failure to do so can result in property damage, bodily injury or death.

⚠️ **FOR INSTALLATIONS IN THE STATE OF CALIFORNIA**

California Law requires that residential water heaters must be braced, anchored or strapped to resist falling or horizontal displacement due to earthquake motions. For residential water heaters up to 52 gallon capacity, a brochure with generic earthquake bracing instructions can be obtained from: Office of the State Architect, 400 P Street, Sacramento, CA 95814 or you may call 916.324.5315 or ask a water heater dealer.

However, applicable local codes shall govern installation. For residential water heaters of a capacity greater than 52 gallons, consult the local building jurisdiction for acceptable bracing procedures.

California Proposition 65 Warning: This product contains chemicals known to the State of California to cause cancer, birth defects or other reproductive harm.



**READ AND FOLLOW THIS SAFETY INFORMATION CAREFULLY.
SAVE THESE INSTRUCTIONS**

Safety
Instructions

Operating
Instructions

Care and
Cleaning

Installation
Instructions

Troubleshooting
Tips

Consumer
Support

Safety Instructions
Operating Instructions
Care and Cleaning
Installation Instructions
Troubleshooting Tips
Consumer Support

Operating the water heater.

⚠ WARNING: Hydrogen gas can be produced in a hot water system served by this water heater that has not been used for a long period of time (generally two weeks or more). HYDROGEN GAS IS EXTREMELY FLAMMABLE!! To dissipate such gas and to reduce risk of injury, it is recommended that the hot water faucet be opened for several minutes at the kitchen sink before using any electrical appliance connected to the hot water system. If hydrogen is present, there will be an unusual sound such as air escaping through the pipe as the water begins to flow. Do not smoke or use an open flame near the faucet at the time it is open.

Safety Precautions

- A. **Do** turn off power to water heater if it has been subjected to overheating, fire, flood or physical damage.
- B. **Do Not** turn on water heater unless it is filled with water.
- C. **Do Not** turn on water heater if cold water supply shut-off valve is closed.
- D. **Do Not** store or use gasoline or other flammable vapors and liquids, such as adhesives or paint thinner, in the vicinity of this or any other appliance. If such flammables must be used, open doors and windows for ventilation.

NOTE: Flammable vapors may be drawn by air currents from surrounding areas to the water heater.

- E. If there is any difficulty in understanding or following the Operating Instructions or the Care and Cleaning section, it is recommended that a qualified person or serviceman perform the work.

⚠ WARNING:

If the water heater has been subjected to flood, fire, or physical damage, turn off power and water to the water heater.

Do not operate the water heater again until it has been thoroughly checked by qualified service personnel.

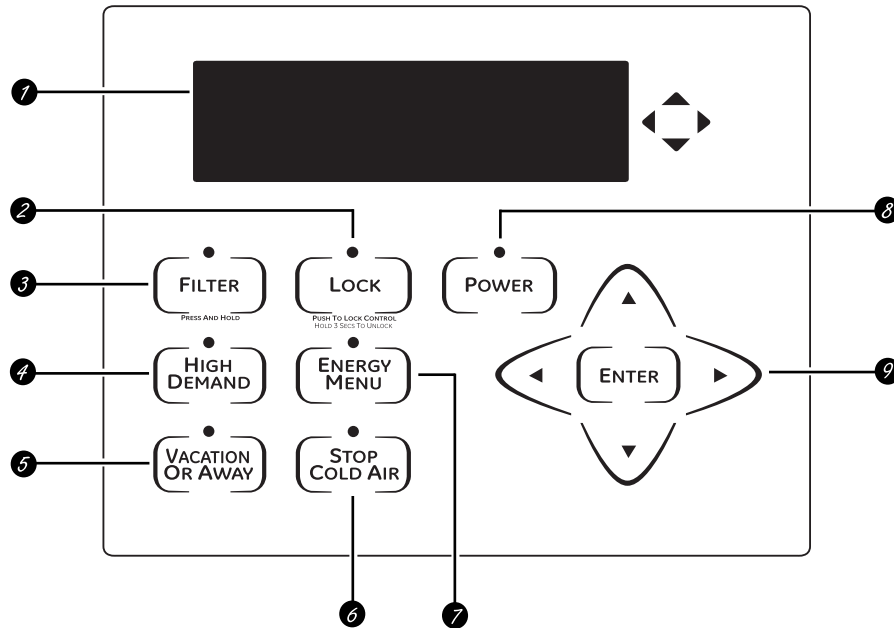
Safety Controls

The water heater is equipped with two temperature-limiting controls (TCOs) that are located above the heating element in contact with the tank surface. If for any reason the water temperature becomes excessively high, the temperature-limiting control (TCO) breaks the power circuit to the heating element. Once the control opens, it must be reset manually. Resetting of the temperature limiting controls should be done by a qualified service technician.

⚠ CAUTION: *The cause of the high temperature condition must be investigated by a qualified service technician and corrective action must be taken before placing the water heater in service again.*

To reset the temperature-limiting control:

1. Turn off the power to the water heater.
2. Remove the jacket access panel(s) and insulation.
The thermostat protective cover should not be removed.
3. Press the red RESET button.
4. Replace the insulation and jacket access panel(s) before turning on the power to the water heater.



Controls

- 1 Display**
- 2 Lock**
Press and hold this button for 3 seconds to lock or unlock the water heater touch button controls. Green light is illuminated when the controls are locked.
- 3 Filter**
The filter is dirty and requires cleaning when the Red light is illuminated. Filter is located on top of the water heater. Press button to reset filter alarm.
- 4 High Demand**
Use this button when extra hot water is needed. This feature increases the speed that the water is heated using more electricity. Green light is illuminated when feature is on.
- 5 Vacation Or Away**
Use this button during times of no water usage, such as vacation for an extended period of time. Feature will reduce the energy used during the absence. Green light is illuminated when feature is on.
- 6 Stop Cold Air**
Use this button to temporarily stop cold air coming from the unit or to stop fan noise. However, the unit will use more electricity, so this mode should generally be used only for short periods of time. Green light is illuminated when feature is on.
- 7 Energy Menu**
Change the water heater Operating Modes by pressing this button. You can also change the temperature display from °F to °C and view FAQs.
- 8 Power**
Use this button to activate or deactivate all heating sources on this product.
NOTE: The user interface will still function when the power button is off.
- 9 Arrow Pads**
Use the up, down, left and right arrows to navigate through menus or to change the water temperature.

Turning on the water heater.

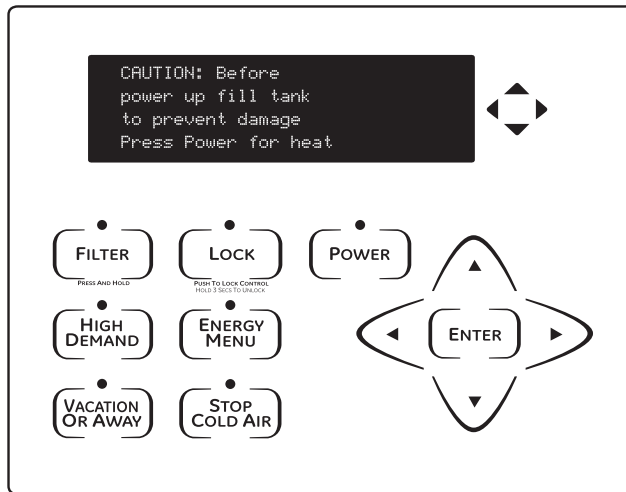
The first time you press the power button and the water heater is powered on, the screen will ask for confirmation that the tank has been filled with water. The tank must be full of water before the heater is turned on to prevent damage.

The water heater warranty does not cover damage or failure resulting from operation with an empty or partially empty tank. (Refer to the Certificate of Limited Warranty for complete terms and conditions.)

If the tank has NOT been filled, vent and fill tank with water before pressing the **POWER** button again.

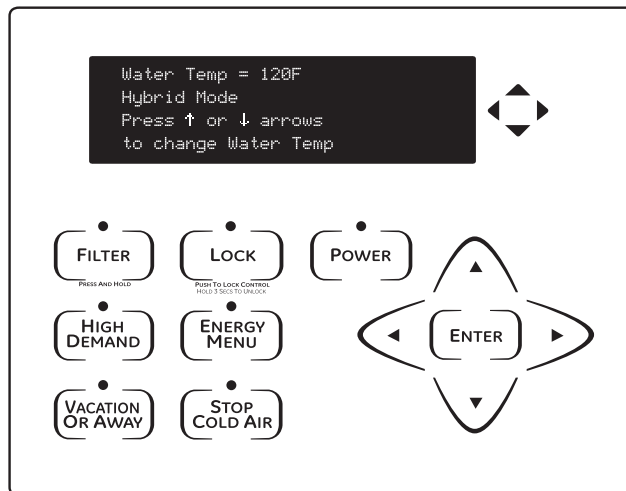
- Make sure the drain valve is completely closed.
- Open the shut-off valve in the cold water supply line.
- Open each hot water faucet slowly to allow the air to vent from the water heater and piping.
- A steady flow of water from the hot water faucet(s) indicates a full water heater.

After the tank has been filled with water, press the **POWER** button again.



Once the water heater has been powered on, the main screen will be shown. The display will show the current water temperature setting and the current operating mode for the water heater.

To comply with safety regulations, the controls are factory preset to 120°F and Hybrid Mode. These are the recommended settings for the water heater.



If the display goes blank, press any key to reactivate the display. To go back to the default (**HOME**) screen, press the left arrow button until the default (**HOME**) screen appears.

The temperature of the water in the water heater can be regulated by adjusting the temperature setting up or down using arrow keys on the control panel.

Safety and energy conservation are factors to be considered when selecting the water temperature setting of the water heater. The lower the temperature setting, the greater the savings in energy and operating costs.

To comply with safety regulations, the water temperature is factory set at 120°F where local codes require. This is the recommended starting point.

Water temperatures above 125°F can cause severe burns or death from scalding. Be sure to read and follow the warnings outlined in this manual and on the label on the water heater. This label is located on the water heater near the upper element access panel.

Mixing valves for reducing point-of-use water temperature by mixing hot and cold water in branch water lines are available. Contact a licensed plumber or the local plumbing authority for further information.

The chart below may be used as a guide in determining the proper water temperature for your home.

⚠ DANGER: *There is a hot water scald potential if the water temperature is set too high. Households with small children, disabled, or elderly persons may require a 120°F or lower thermostat setting to prevent contact with HOT water.*

Time/Temperature Relationship in Scalds

Temperature	Time to Produce a Serious Burn
120°F	More than 5 minutes
125°F	1-1/2 to 2 minutes
130°F	About 30 seconds
135°F	About 10 seconds
140°F	Less than 5 seconds
145°F	Less than 3 seconds
150°F	About 1-1/2 seconds
155°F	About 1 second

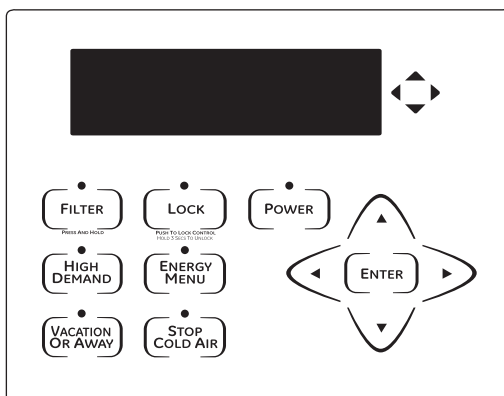
Table courtesy of Shriners Burn Institute

To Adjust the Temperature

Press the **UP** or **DOWN** arrow on the control panel key pad. You will be asked to press the **ENTER** key to acknowledge that increasing temperature increases scald risk. Then the temperature can be increased or decreased by pressing the **UP** or **DOWN** arrows. After the desired temperature setting has been achieved, you can press **ENTER** to accept or simply walk away. (After 3 seconds of no key presses, the control will accept the new temperature setting.)

⚠ DANGER: *There is a Hot Water SCALD Potential if the water temperature is set too high.*

120°F is the recommended water temperature setting, but it can be adjusted to any temperature between 100°F and 140°F.



Adjusting the water temperature and function mode.

This water heater defaults to the Hybrid operating mode. The Hybrid mode is the recommended setting for this water heater, but can be changed if desired. Available modes are listed below and can be found under the ENERGY MENU button.

eHeat™ Mode

eHeat™ is the most energy-efficient mode for this water heater. It takes heat from the surrounding air to heat the water. The time it takes to heat the water is longer in this mode, so it may NOT be sufficient if you have a high-demand situation such as a large household or company.

Standard Electric Mode

This mode uses only the upper and lower heating resistance elements to heat the water. The time it takes to heat the water is less in this mode, but it is the LEAST energy-efficient mode.

Hybrid Mode—RECOMMENDED MODE

Hybrid mode combines the energy efficiency of eHeat™ with the recovery speed and power of the Standard Electric mode, with normal water usage.

High Demand

This mode is only necessary if your household has a higher-than-average water usage or the unit is undersized for the household water demands. In this mode, the unit will use the electric heating elements only when the water demand is higher than normal. When using the heating elements, the water temperature will recover at a faster rate but it will take more energy to heat it. Unlike Standard Electric mode, it will use the heating elements only when needed.

To access any of these modes:

- 1 Press the **ENERGY MENU** button and then press **ENTER**.
- 2 Select "Operating Modes" on the menu list and press **ENTER**.
- 3 Select the desired operating mode by using the **UP** and **DOWN** arrow buttons and then press **ENTER** again.

To cancel and return to the main energy menu:

Press the **LEFT** arrow button.

General navigation of energy menu:

- 1 For more information on each mode, while the mode is highlighted, press the **RIGHT** arrow button to read a description.
- 2 Use the **UP** and **DOWN** arrow buttons to scroll through the description screens.
- 3 Use the **LEFT** arrow button to return to the "Operating Modes" menu list.

Vacation Or Away

This feature is used when you will be away from the home for an extended period of time and hot water is not needed. In this mode, the unit will drop the water temperature down to 50°F and will use the most efficient heating mode to conserve energy while the heater is sitting idle. The unit will automatically resume heating one day before your return, so that hot water will be available.

For example if you will be gone 14 days, press the **VACATION OR AWAY** button, press the **UP** arrow button until the display reads 14 days (the default is 7 days) and press **ENTER**. The unit will drop the water temperature down to 50°F for 13 days. At the end of the 13th day, it will automatically return to the previous operating mode and heat the water to the original temperature setting.

The green light will be illuminated when this feature is on.

Stop Cold Air

The Hybrid and eHeat™ modes save energy by using heat from the air to heat the water. The warm air is pulled through the system by fans and is then cooled. That cool air then moves out the back of the heater.

You can temporarily stop the cold air and fan noise coming from the unit by pressing the **STOP COLD AIR** button.

To adjust the number of days this feature will be on, simply use the **UP** and **DOWN** arrow buttons and press **ENTER** (the default is 3 days). The unit will automatically return to the previous operating mode after the number of days selected has passed.

This mode should only be used on a temporary basis because you do NOT get the energy savings while in this mode.

The green light will be illuminated when this feature is on.

High Demand (on some models)

This mode is only necessary if your household has a higher-than-average water usage or the unit is undersized for the household water demands.

In this mode, the unit will use the electric heating elements only when the water demand is higher than normal. When using the heating elements, the water temperature will recover at a faster rate but it will take more energy to heat it.

Unlike Standard Electric mode, it will use the heating elements only when needed.

The green light will be illuminated when this feature is on.

Control Lock

The control pad can be locked out to prevent accidental key presses.

Simply press and hold the **LOCK** button for three seconds. The display will show "controls are locked" and the green light will be illuminated when this feature has been activated. No other key presses will be allowed when the controls are locked.

To deactivate the lock, press and hold the **LOCK** pad for three seconds. The green light will fade and the screen will go to the default display.

Using the Energy Menu.

The Energy Menu is also used to change the water heater operating modes, to convert the temperature display from °F to °C, or to view the FAQs. There is also a Diagnostic Menu that is only accessible to a certified service technician or plumber in the event service is needed.

Operating Modes

Use this option to change between eHeat™, Hybrid, Standard Electric and High Demand modes (described on page 8).

- 1 To access any of these modes, press the **ENERGY MENU** button and then press **ENTER**.
- 2 Select Operating Modes on the menu list and press **ENTER**.
- 3 Select the desired operating mode by using the **UP** or **DOWN** arrow buttons and then pressing **ENTER** again.
- 4 To cancel and return to the main Energy Menu, press the **LEFT** arrow button.
- 5 To get more information on each mode, while the mode is highlighted, press the **RIGHT** arrow button to read a description.
- 6 Use the **UP** or **DOWN** arrow buttons to scroll through the description screens.
- 7 Use the **LEFT** arrow button to return to the Operating Mode menu list.

°F and °C Conversion

The water temperature display will default to °F. To show the temperatures in °C, press the **ENERGY MENU** button; then press **ENTER**. These settings will be remembered and returned following a power outage.

- 1 Press the **DOWN** arrow button to go to "Choose °F and °C" and press **ENTER**.
- 2 Press **ENTER** to change from °F to °C. The main screen will then be shown with the temperature in °C.
- 3 To cancel and return to the main Energy Menu, press the **LEFT** arrow button.

NOTE: To change back to °F, repeat Steps 1 and 2.

Frequently Asked Questions

This menu item answers basic questions on cold air, the filter, operating modes and noise. All of this information is covered in this Use and Care manual. If this manual is misplaced, you can refer to this section for answers.

- 1 To access the FAQs, press the **ENERGY MENU** button and then press **ENTER**.
- 2 Press the **DOWN** arrow pad to go to "FAQs" and then press **ENTER**.

There are four question categories:

Cold Air:

Q: Why is there cold air?

A: Hybrid, eHeat™ and High Demand modes save energy by using heat from the air to heat the water and thereby cooling the surrounding air. This gives sizable energy savings.

Q: How to stop cold air?

A: Press the **STOP COLD AIR** button on the keypad. This reduces the efficiency of the heater. Unit will change back to previous mode after number of days selected.

Filter:

Q: Why is there a filter?

A: In Hybrid and eHeat™ the unit moves air through the system. The filter protects the unit from dirt. A clean air filter improves efficiency.

Q: How to clean the filter?

A: Leave power on and remove filter from top of unit. Filter can be wiped clean or rinsed with warm water. A dirty filter will reduce water heater efficiency!

Modes:

Q: What is High Demand?

A: High Demand can be used when hot water usage is higher than normal. The unit will be less efficient but will heat water faster in response to long water draws. For all normal draws, the unit will still use efficient eHeat™.

Q: What is Stop Cold Air?

A: This mode will stop cold air temporarily but reduces the efficiency of the heater. The unit will change back to the previous mode after the number of days selected.

Q: What is Vacation Or Away?

A: If you are gone for an extended period, this mode lowers the water temperature to reduce energy used. Unit will switch to the previous mode one day before you get back.

Q: What is eHeat™?

A: eHeat™ is the most-efficient mode. It takes heat from the air to heat water, thereby cooling the surrounding air. Slower recovery but most-efficient mode.

Q: What is Hybrid?

A: The Hybrid mode combines benefits of eHeat™ with the speed and power of Standard Electric. This provides great performance with less energy. (Recommended mode.)

Q: What is Standard Electric?

A: Standard Electric mode uses only the resistance heaters to heat the water. This gives faster hot water recovery than Hybrid mode, but uses more energy.

Noise:

Q: Why is the unit noisy?

A: In the most energy-efficient modes, eHeat™, Hybrid and High Demand, the method used to heat the water generates some noise. Some amount of fan noise is normal.

3 Use the **UP** or **DOWN** arrow buttons to select the category that pertains to your question and press **ENTER**.

4 To cancel and return to the main Energy Menu, press the **LEFT** arrow button.

5 Once the category is selected, use the **UP** or **DOWN** arrow buttons to select the desired questions and press **ENTER**.

6 Use the **UP** or **DOWN** arrow buttons to read through the information screens.

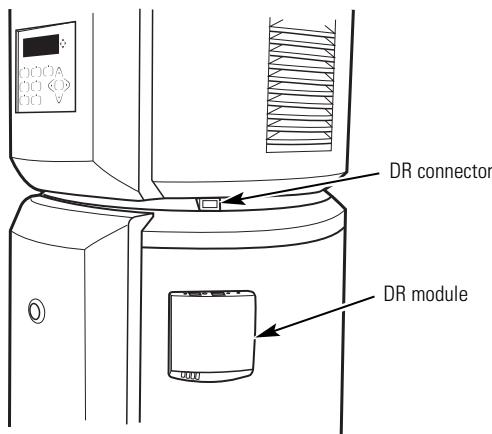
7 When done, press the **LEFT** arrow button to return to the FAQs menu.

The Hybrid Electric heat pump water heater is compatible with the GE Demand Response (DR) module which can be purchased separately. Contact your local utility or visit www.GEAppliances.com/demand_response to see if your area is using DR technology.

The following demand response features are available as part of a pilot test program with the local utility company to help consumers reduce peak electricity usage in the home.

INSTALLATION

The DR module is equipped with magnets in the base of the module that will enable it to be attached to the painted metal exterior of the heat pump water heater. Details on how to connect the cables to the module are in the instructions that come with the module.



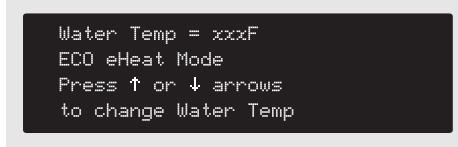
Once the cable from the DR module is plugged into the water heater's connection, follow the power-up directions included with the DR module. As soon as the DR module is operating, the heat pump water heater is ready to receive the DR signals.

QUICK GUIDE

If your local utility company is utilizing DR technology, the DR module will receive the signals sent from your utility company. One of four signals will be sent: "Low" represents that the lowest energy cost rate is available, "Medium" and "High" signals represent increasing energy cost steps, and the Critical signal represents "peak rate" energy. A heat pump water heater equipped with a DR module will automatically recognize what energy cost rate is available and adjust its mode and temperature setting to use less energy when rates are medium, high and critical.

When the signal is low or when no DR module is connected, the unit runs as normal. The following steps show how the unit reacts to Medium, High and Critical signal levels.

When the DR signal is **Medium**, the control will operate in eHeat™ Mode and the water temperature will remain at the current user setting. The screen will display the following (where xxx is the current user temperature setting):



When the DR signal is **High**, the control will operate in eHeat™ mode, with a water temperature setting of 110°F, and the screen will display:



When the DR signal is **Critical**, the control will operate in eHeat™ mode, with a water temperature setting of 100°F, and the screen will display:



Care and cleaning of the water heater.

Routine Preventive Maintenance

⚠ DANGER: Before manually operating the relief valve, make certain no one will be exposed to the danger of coming in contact with the hot water released by the valve. The water may be hot enough to create a scald hazard. The water should be released into a suitable drain to prevent injury or property damage.

NOTE: If the temperature and pressure-relief valve on the hot water heater discharges periodically, this may be due to thermal expansion in a closed water system. Contact the water supplier or your plumbing contractor on how to correct this. Do not plug the relief valve outlet.

Properly maintained, your water heater will provide years of dependable trouble-free service.

It is suggested that a routine preventive maintenance program be established and followed by the user.

Periodic Inspection:

It is further recommended that a periodic inspection of the operating controls, heating elements and wiring should be made by service personnel qualified in electric appliance repair.

Most electrical appliances, even when new, make some sound when in operation. If the hissing or singing sound level increases excessively, the electric heating element may require cleaning. Contact a qualified installer or plumber for inspection.

Temperature and Pressure-Relief Valve:

At least once a year, lift and release the lever handle on the temperature and pressure-relief valve, located on the back-right side of the water heater, to make certain the valve operates freely. Allow several gallons to flush through the discharge line to an open drain.

Flushing Tank:

A water heater's tank can act as a settling basin for solids suspended in the water. It is therefore not uncommon for hard water deposits to accumulate in the bottom of the tank. To clean the tank of these deposits, open the drain valve located under the large decorative cover near the bottom of the unit and drain a few quarts of water from the water heater every month.

Draining the Water Heater

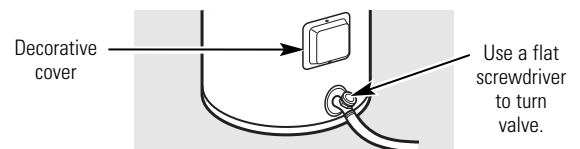
⚠ CAUTION: Shut off power to the water heater before draining water.

⚠ DANGER: Before manually operating the relief valve, make certain no one will be exposed to the hot water released by the valve. The water drained from the tank may be hot enough to present a scald hazard and should be directed to a suitable drain to prevent injury or damage.

Attach a garden hose to the drain valve located at the bottom of the unit and direct that hose to a drain. The decorative front cover must be removed to access the valve.

In order to drain the water heater completely, turn off the cold water supply. Open a hot water faucet or lift the handle on the relief valve to admit air to the tank.

Open the drain valve.



Vacation and Extended Shutdown

If the water heater is to remain idle for an extended period of time, the power and water to the appliance should be turned off to conserve energy and prevent a buildup of dangerous hydrogen gas.

The water heater and piping should be drained if they might be subjected to freezing temperatures.

After a long shutdown period, the water heater's operation and controls should be checked by qualified service personnel. Make certain the water heater is completely filled again before placing it in operation.

NOTE: Refer to the Hydrogen Gas Caution in the Operating Instructions.

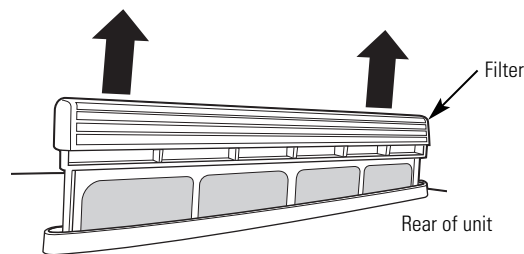
Cleaning the Filter

In the Hybrid, eHeat™ and High Demand modes, the heater moves air through the system and out the back of the unit. The filter is in place to protect the evaporator from dirt and dust.

A clean air filter is important to get the highest efficiency. Occasionally this filter will need to be cleaned (minimum is once a year). When the filter requires cleaning, the Red light above the Filter button will be illuminated and an audible beep will sound. The screen will display instructions that the filter needs to be cleaned. When this screen is displayed, you can press the **RIGHT** arrow button for instructions on how to clean the filter.

NOTE: If the filter gets too dirty, the unit will automatically switch to Standard Electric mode and energy savings will be lost.

Leave the power on and remove the filter from the top of the unit. It is located in the top of the unit behind the hot and cold inlet pipes. Grasp the plastic handle and slide the filter straight up until it clears the cover. Once it has been removed, the filter can be wiped clean with a damp rag or rinsed with warm water.



Once the filter has been cleaned, it can be replaced by aligning it into the slot in the top of the unit and sliding it down into place. When the handle is flush with the top of the cover, it is seated.

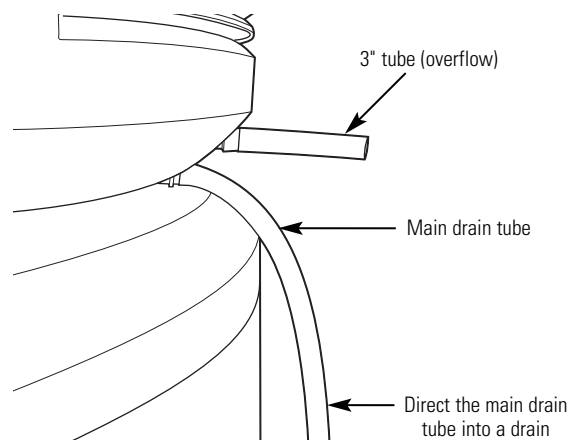
When the clean filter has been reinstalled, press the **FILTER** button and then press **ENTER**.

IMPORTANT: Filter must be cleaned when the alarm is displayed. A dirty filter will make the system work harder and result in a reduction of efficiency and possible damage to the system. In order to get the best energy efficiency available, make sure your filter is clean.

Clearing the Condensation Drain Tubes

There are two drain hoses that are attached to the back of the heater. If both of these get clogged, water will spill down the outside of the unit.

The primary drain is intended to carry all condensate away. If it is clogged or if the hose is kinked, the condensate will exit the secondary drain tube and onto the floor. This is intended as a notification to the user that the primary drain is clogged. Remove the drain hose, clear any debris and reattach.



Periodically inspect the drain lines and clear any debris that may have collected in the lines.

See *Installation Instructions* for more information.

Installation Instructions

Water Heater

Models GEH50DNSRSA and GEH50DXSRGA

The location chosen for the water heater must take into consideration the following:

LOCAL INSTALLATION REGULATIONS

This water heater must be installed in accordance with these instructions, local codes, utility codes, utility company requirements or, in the absence of local codes, the latest edition of the National Electrical Code. It is available from some local libraries or can be purchased from the National Fire Prevention Association, Batterymarch park, Quincy, MA 02169 as booklet ANSI/NFPA 70.

POWER REQUIREMENTS

Check the markings on the rating plate of the water heater to be certain the power supply corresponds to the water heater requirements.

LOCATION

Locate the water heater in a clean dry area as near as practical to the area of greatest heated water demand. Long uninsulated hot water lines can waste energy and water.

NOTE: Because this unit draws in air from the room to heat the water, the room must be at least 10' x 10' x 7' (700 cubic feet) or larger. If the room is smaller, there must be a louvered door.

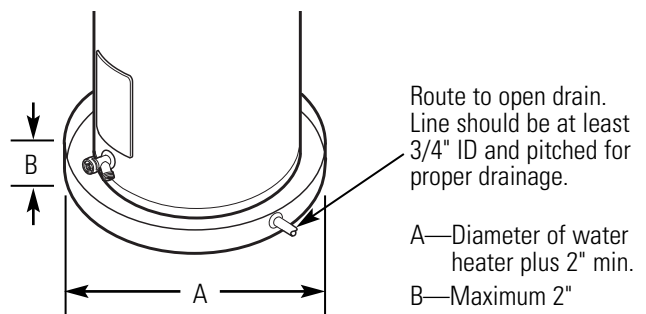
Place the water heater in such a manner that the air filter, cover and front panels can be removed to permit inspection and servicing, such as removal of elements or cleaning of the filter.

The water heater and water lines should be protected from freezing temperatures and *high-corrosive atmospheres*. Do not install the water heater in outdoor, unprotected areas.

CAUTION: The water heater should not be located in an area where leakage of the tank or connections will result in damage to the area adjacent to it or to lower floors of the structure. Where such areas cannot be avoided, it is recommended that a suitable catch pan, adequately drained, be installed under the water heater.

LOCATION (CONT.)

WARNING: This water heater SHOULD NOT be installed in a space where liquids which give off flammable vapors are to be used or stored. Such liquids include gasoline, LP gas (butane and propane), paint or adhesives and their thinners, solvents or removers. Because of natural air movement in a room or other enclosed space, flammable vapors can be carried from where their liquids are being used or stored. The arc drawn within the water heater's control can ignite these vapors causing an explosion or fire which may result in severe burns or death to those in range, as well as property damage.

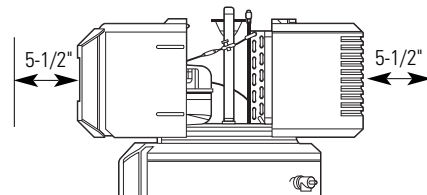


NOTE: Auxiliary catch pan MUST conform to local codes.

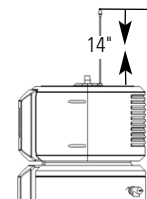
Catch Pan Kits are available from the store where the water heater was purchased, a builder store or any water heater distributor.

Required clearances:

There must be a 7" clearance recommended (air space), with a 5-1/2" minimum clearance between any object and the front and rear covers in the event service is needed.



A 14" minimum clearance is required to remove the filter for cleaning. The hot and cold water plumbing and electrical connections must not interfere with the removal of the filter.



Condensation drain

The unit has a condensate drain; therefore a drain must be available in close proximity to the unit. The drain must be no higher than 36" above the floor (laundry drain is acceptable). If no drain is available, then a common condensate pump with a capacity no less than 1 gallon/hour must be purchased from a local builder and supply store and installed.

Installation Instructions

THERMAL EXPANSION

⚠ WARNING: The water heater should not be installed in a space where liquids which give off flammable vapors are to be used or stored.

Determine if a check valve exists in the inlet water line.

It may have been installed in the cold water line as a separate backflow preventer, or it may be part of a pressure-reducing valve, water meter or water softener. A check valve located in the cold water inlet line can cause what is referred to as a "closed water system." A cold water inlet line with no check valve or backflow prevention device is referred to as an "open" water system.

As water is heated, it expands in volume and creates an increase in the pressure within the water system. This action is referred to as "thermal expansion." In an "open" water system, expanding water which exceeds the capacity of the water heater flows back into the city main where the pressure is easily dissipated.

A "closed water system," however, prevents the expanding water from flowing back into the main supply line, and the result of "thermal expansion" can create a rapid and dangerous pressure increase in the water heater and system piping. This rapid pressure increase can quickly reach the safety setting of the relief valve, causing it to operate during each heating cycle. Thermal expansion, and the resulting rapid and repeated expansion and contraction of components in the water heater and piping system, can cause premature failure of the relief valve, and possibly the heater itself. Replacing the relief valve **will not** correct the problem!

The suggested method of controlling thermal expansion is to install an expansion tank in the cold water line between the water heater and the check valve (refer to the illustration on right). The expansion tank is designed with an air cushion built in that compresses as the system pressure increases, thereby relieving the over-pressure condition and eliminating the repeated operation of the relief valve. Other methods of controlling thermal expansion are also available. Contact your installing contractor, water supplier or plumbing inspector for additional information regarding this subject.

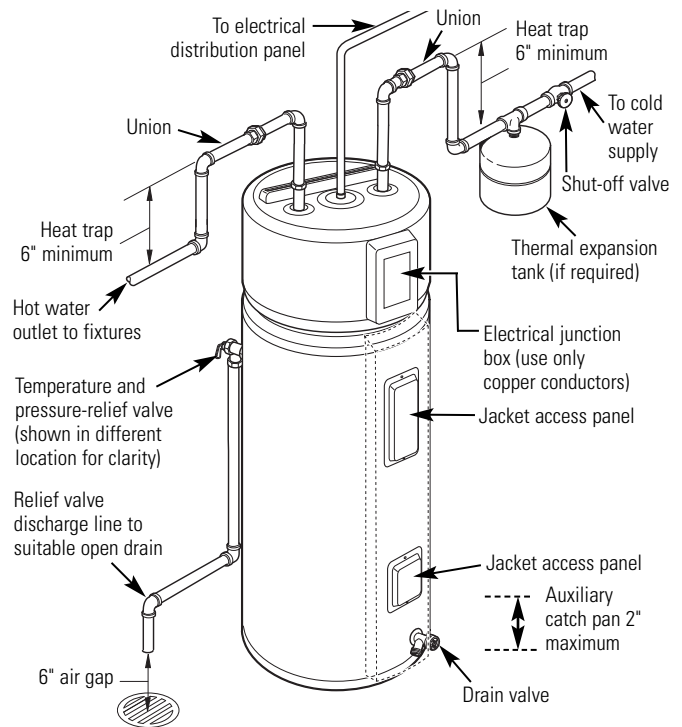
WATER SUPPLY CONNECTIONS

Refer to the illustration below for suggested typical installation. The installation of unions or flexible copper connectors is recommended on the hot and cold water connections so that the water heater may be easily disconnected for servicing if necessary. The HOT and COLD water connections are clearly marked and are 3/4" NPT on all models.

NOTE: Install a shut-off valve in the cold water line near the water heater. This will enable easier service or maintenance of the unit later.

IMPORTANT: Do not apply heat to the HOT or COLD water connections. If sweat connections are used, sweat tubing to adapter before fitting the adapter to the cold water connections on heater. Any heat applied to the hot or cold water connection will permanently damage the dip tube.

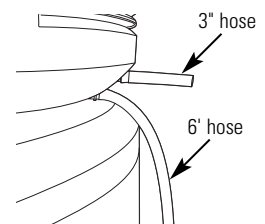
TYPICAL INSTALLATION



CONDENSATION DRAIN TUBES

This unit has a condensation tray. The water collected in the tray drains out of the tube coming off the back of the unit.

Two flexible hoses are included with this unit. It is important that both of these hoses are attached to the two drain ports coming off the back of the unit. Attach one end of the longer 6' hose to the lower drain port on the back of the unit, underneath the rear cover. Direct the other end to a drain in the floor or no higher than 3' above the floor. If such drain is unavailable, a condensate drain pump (not provided) must be purchased and installed. Attach the shorter 3" hose to the top drain port.



Installation Instructions

A new combination temperature and pressure-relief valve, complying with the Standard for Relief Valves and Automatic Gas Shut-Off Devices for Hot Water Supply Systems, ANSI Z21.22, is supplied and must remain installed in the opening provided and marked for the purpose on the water heater. No valve of any type should be installed between the relief valve and the tank. Local codes shall govern the installation of relief valves.

RELIEF VALVE

▲ WARNING: The pressure rating of the relief valve must not exceed 150 PSI, the maximum working pressure of the water heater as marked on the rating plate.

The BTUH rating of the relief valve must not be less than the input rating of the water heater as indicated on the rating label located on the front of the heater (1 watt=3.412 BTUH).

Connect the outlet of the relief valve to a suitable open drain so that the discharge water cannot contact live electrical parts or persons and to eliminate potential water damage.

Piping used should be of a type approved for hot water distribution. The discharge line must be no smaller than the outlet of the valve and must pitch downward from the valve to allow complete drainage (by gravity) of the relief valve and discharge line. The end of the discharge line should not be threaded or concealed and should be protected from freezing. No valve of any type, restriction or reducer coupling should be installed in the discharge line.

▲ CAUTION:

To reduce the risk of excessive pressures and temperatures in this water heater, install temperature and pressure protective equipment required by local codes and no less than a combination temperature and pressure relief valve certified by a nationally recognized testing laboratory that maintains periodic inspection of production of listed equipment or materials, as meeting the requirements for Relief Valves and Automatic Gas Shutoff Devices for Hot Water Supply Systems, ANSI Z21.22. This valve must be marked with a maximum set pressure not to exceed the marked maximum working pressure of the water heater. Install the valve into an opening provided and marked for this purpose in the water heater, and orient it or provide tubing so that any discharge from the valve exits only within 6 inches above, or at any distance below, the structural floor, and does not contact any live electrical part. The discharge opening must not be blocked or reduced in size under any circumstances.

TO FILL THE WATER HEATER

▲ WARNING: The tank must be full of water before heater is turned on. The water heater warranty does not cover damage or failure resulting from operation with an empty or partially empty tank.

Make certain the drain valve is completely closed.

Open the shut-off valve in the cold water supply line.

Open each hot water faucet slowly to allow the air to vent from the water heater and piping.

A steady flow of water from the hot water faucet(s) indicates a full water heater.

ELECTRICAL CONNECTIONS

A separate branch circuit with copper conductors, overcurrent protective device and suitable disconnecting means must be provided by a qualified electrician.

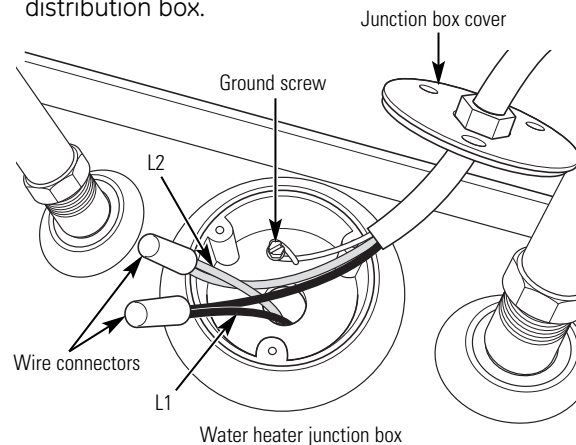
All wiring must conform to local codes or latest edition of National Electrical Code ANSI/NFPA 70.

The water heater is completely wired to the junction box at the top of the water heater. An opening for 1/2" or 3/4" electrical fitting is provided for field wiring connections.

The voltage requirements and wattage load for the water heater are specified on the rating label on the front of the water heater.

The branch circuit wiring should include either:

1. Metallic conduit or metallic sheathed cable approved for use as a grounding conductor and installed with fittings approved for the purpose.
2. Nonmetallic sheathed cable, metallic conduit or metallic sheathed cable not approved for use as a ground conductor shall include a separate conductor for grounding. It should be attached to the ground terminals of the water heater and the electrical distribution box.



▲ WARNING: Proper ground connection is essential. The presence of water in the piping and water heater does not provide sufficient conduction for a ground. Nonmetallic piping, dielectric unions, flexible connectors, etc., can cause the water heater to be electrically isolated.

Installation Instructions

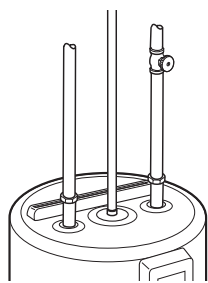
The manufacturer's warranty does not cover any damage or defect caused by installation, attachment or use of any type of energy-saving or other unapproved devices (other than those authorized by the manufacturer) into, onto or in conjunction with the water heater. The use of unauthorized energy-saving devices may shorten the life of the water heater and may endanger life and property.

The manufacturer disclaims any responsibility for such loss or injury resulting from the use of such unauthorized devices.

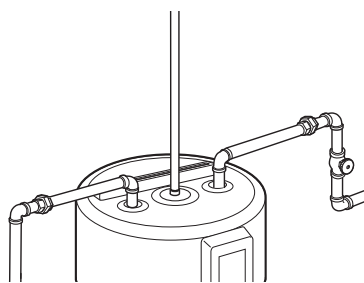
If local codes require external application of insulation blanket kits, the manufacturer's instructions included with the kit must be carefully followed.

Application of any external insulation, blankets or water pipe insulation to this water heater will require careful attention to the following:

- Do not cover the temperature and pressure-relief valve.
- Do not cover access panels to the heating elements.
- Do not cover the electrical junction box of the water heater.
- Do not cover the operating or warning labels attached to the water heater or attempt to relocate them on the exterior of the insulation blanket.
- Do not block the air inlet outlets below and in the top covers.



Typical vertical piping arrangement



Typical horizontal piping arrangement

NOTE: This guide recommends minimum branch circuit sizing based on the National Electric Code. Refer to wiring diagrams in this manual for field wiring connections.

BRANCH CIRCUIT SIZING GUIDE

Total Water Heater Wattage	Recommended Over-Current Protection (fuse or circuit breaker amperage rating)			
	208V	240V	277V	480V
3,000	20	20	15	15
4,000	25	25	20	15
4,500	30	25	25	15
5,000	30	30	25	15
5,500	35	30	25	15
6,000	40	35	30	20
8,000	50	45	40	25
9,000	-	50	45	25
10,000	-	-	50	30
11,000	-	-	50	30
12,000	-	-	-	35

Total Water Heater Wattage	Copper Wire Size AWG Based on N.E.C. Table 310-16 (75°C.)			
	208V	240V	277V	480V
3,000	12	12	14	14
4,000	10	10	12	14
4,500	10	10	10	14
5,000	10	10	10	14
5,500	8	10	10	14
6,000	8	8	10	12
8,000	8	8	8	10
9,000	-	8	8	10
10,000	-	-	8	10
11,000	-	-	8	10
12,000	-	-	-	8

Installation Instructions

INSTALLATION CHECKLIST

- 1. Tank location:**
 - Is **room size** less than 10' x 10' x 7' (700 cu. ft.)? If yes, louvered door or similar ventilation is needed.
 - Back of unit **away from wall** by 7 inches.
 - **Front** of unit is free and clear.
 - Is the water heater **level**? If no, add shims under the base of the unit.
- 2. Plumbing connections:**
 - Does not prevent **air filter** removal.
 - No leaks after **filling** the tank with water, either when water is flowing or not.
- 3. Condensate lines are in place:**
 - 1) Short tube on upper drain nozzle.
 - 2) Longer tube on lower drain nozzle and directed into a floor drain or a condensate pump.
- 4. Temperature and pressure-relief valve** is working and drain line completed per local code.
- 5. Electrical** connection does not prevent air filter removal.
- 6.** Verify **control panel** displays 120°F Hybrid mode.
- 7.** Front **cover** is in place.



Troubleshooting Tips
 Save time and money! Review the chart below first and you may not need to call for service.

Problem	Possible Causes	What To Do
Water heater is noisy	Fans are used to move air through the system. The fan noise volume will vary as the water is heated.	<ul style="list-style-type: none"> Some amount of fan noise is normal (similar to the blower on a central heating and cooling system). If you hear an abnormal noise like a knocking or the noise level seems unusually loud, then contact service. If noise level has been increasing over the last weeks or months, the filter may be getting dirty, thus making the fans work harder. Check to see if filter needs to be cleaned. (See page 13 for instructions.)
Water heater is making the room too cold	Room is not vented properly or is too small.	<ul style="list-style-type: none"> If the room is smaller than 10' x 10' x 7', then it must have a louvered door or other means to allow air exchange with surrounding rooms.
Water dripping down the outside of the heater	Condensate drain hoses are not connected.	<ul style="list-style-type: none"> Two drain hoses are included with your water heater. Connect the longer 6' hose to the lower condensate drain port. Connect the short 3" hose to the upper condensate drain port.
	Condensate drain hoses are kinked or clogged.	<ul style="list-style-type: none"> Remove each drain hose and clear any debris from the line. You can use a small wire like a hanger or a small screwdriver to clear out any debris in the drain port on the unit.
	Hot/Cold water connections are not tightened.	<ul style="list-style-type: none"> Tighten the inlet and outlet pipe connections.
Not enough or no hot water	Water usage may have exceeded the capacity of the water heater.	<ul style="list-style-type: none"> Wait for the water heater to recover after an abnormal demand.
	A fuse is blown or a circuit breaker tripped.	<ul style="list-style-type: none"> Replace fuse or reset circuit breaker.
	Electric supply may be off.	<ul style="list-style-type: none"> Make sure electric supply to water heater and disconnect switch, if used, are in the ON position.
	Water temperature may be set too low.	<ul style="list-style-type: none"> See the <i>Water temperature setting</i> section.
	Leaking or open hot water faucets.	<ul style="list-style-type: none"> Make sure all faucets are closed.
	Electric service to your home may be interrupted.	<ul style="list-style-type: none"> Contact the local electric utility.
	Improper wiring.	<ul style="list-style-type: none"> See the <i>Installation Instructions</i> section.
	Manual reset limit (TCO).	<ul style="list-style-type: none"> See the <i>Water temperature setting</i> section.
	Cold water inlet temperature may be colder during the winter months.	<ul style="list-style-type: none"> This is normal. The colder inlet water takes longer to heat.
Water is too hot	Water temperature is set too high.	<ul style="list-style-type: none"> See the <i>Water temperature setting</i> section.
	⚠ CAUTION: For your safety, DO NOT attempt repair of electrical wiring, controls, heating elements or other safety devices. Refer repairs to qualified service personnel.	
	Electronic control has failed.	<ul style="list-style-type: none"> Call for service.
Rumbling noise	Water conditions in your home caused a buildup of scale or mineral deposits on the heating elements.	<ul style="list-style-type: none"> Remove and clean the heating elements.

Safety Instructions

Operating Instructions

Care and Cleaning

Installation Instructions

Troubleshooting Tips

Consumer Support

Before you call for service...

Problem	Possible Causes	What To Do
<i>Relief valve producing popping noise or draining</i>	Pressure buildup caused by thermal expansion to a closed system.	<ul style="list-style-type: none"> This is an unacceptable condition and must be corrected. Contact the water supplier or plumbing contractor on how to correct this. Do not plug the relief valve outlet.
<i>The heater is beeping and the screen says "Attention! Tank not filled!"</i>	The water heater has not been filled with water before powering up. Powering up the heater without water will damage the electric heaters. The water heater warranty does not cover damage or failure resulting from operation with an empty or partially empty tank.	<ul style="list-style-type: none"> Fill the tank completely with water. Press ENTER to stop the alarm and then press POWER when the tank has been filled.
<i>The filter light is on.</i>	The filter requires cleaning. A clean filter is necessary for effective operation.	<ul style="list-style-type: none"> Follow the instructions on how to remove and clean the filter on page 13.
<i>The heater is beeping and the screen says "Heat Pump Failure"</i>	There is an issue with the heat pump system.	<ul style="list-style-type: none"> The unit will automatically switch to another available mode to ensure you continue to have hot water. Contact service immediately and give them the codes listed on the display screen.
<i>The heater is beeping and the screen says "Water Heater Failure"</i>	There is an issue with the water heater system.	<ul style="list-style-type: none"> The unit will automatically switch to another available mode to ensure you continue to have hot water. Contact service immediately and give them the codes listed on the display screen.
<i>The heater is beeping and the screen says "System Failure"</i>	There is an issue with the water heater that requires immediate attention.	<ul style="list-style-type: none"> The heater will need to turn off. Contact service immediately.
<i>Unit is not making noise</i>	If unit is using resistance elements, it will not make noise.	<ul style="list-style-type: none"> Check mode of unit.

Safety Instructions

Operating Instructions

Care and Cleaning

Installation Instructions

Troubleshooting Tips

Consumer Support

**Safety
Instructions**

**Operating
Instructions**

**Care and
Cleaning**

**Installation
Instructions**

**Troubleshooting
Tips**

**Consumer
Support**

GE Hybrid Water Heater Warranty.



All warranty service provided by our Authorized Servicer Network. To schedule service, call 888.4GE.HEWH (888.443.4394). Please have serial number and model number available when calling for service.

Staple your receipt here. Proof of the original purchase date is needed to obtain service under the warranty.

For The Period Of: We Will Replace:

One Year

From the date of the original purchase

Any part of the Hybrid Water Heater which fails due to a defect in materials or workmanship.

During this **limited one-year warranty**, GE will also provide, **free of charge**, all labor and related service to replace the defective part.

Second through Tenth Year

From the date of the original purchase

Any part of the Hybrid Water Heater which fails due to a defect in materials or workmanship.

During this **limited ten-year parts warranty**, labor and related service to replace the defective part are not included.

What Is Not Covered:

- Service trips to your home to teach you how to use the product.
- Damages, malfunctions or failure caused by the use of unapproved parts or components.
- Improper installation, delivery or maintenance.
- Damages, malfunctions or failure caused by operating the heat pump water heater with the anode rod removed.
- Failure of the product if it is abused, misused, altered, used commercially or used for other than the intended purpose.
- Damages, malfunctions or failure resulting from operating the heat pump with an empty or partially empty tank.
- Use of this product where water is microbiologically unsafe or of unknown quality, without adequate disinfection before or after the system.
- Damages, malfunctions or failure caused by subjecting the tank to pressure greater than those shown on the rating label.
- Replacement of house fuses or resetting of circuit breakers.
- Damages, malfunctions or failure caused by operating the heat pump water heater with electrical voltage exceeding those shown on the rating label.
- Damage to the product caused by accident, lightning, fire, flood or acts of God.
- Water heater failure due to the water heater being operated in a corrosive atmosphere.
- Incidental or consequential damage caused by possible defects with this appliance, its installation or repair.
- Product not accessible to provide required service.
- If product removed from original installation location.

EXCLUSION OF IMPLIED WARRANTIES—Your sole and exclusive remedy is product repair as provided in this Limited Warranty. Any implied warranties, including the implied warranties of merchantability or fitness for a particular purpose, are limited to one year or the shortest period allowed by law.

This warranty is extended to the original purchaser and any succeeding owner for products purchased for home use within the USA. If the product is located in an area where service by a GE Authorized Servicer is not available, you may be responsible for a trip charge or you may be required to bring the product to an Authorized GE Service location for service. In Alaska, the warranty excludes the cost of shipping or service calls to your home.

Some states do not allow the exclusion or limitation of incidental or consequential damages. This warranty gives you specific legal rights, and you may also have other rights which vary from state to state. To know what your legal rights are, consult your local or state consumer affairs office or your state's Attorney General.

Warrantor: General Electric Company, Louisville, KY 40225

Information sur la sécurité24, 25

Instructions de fonctionnement26 à 33

Entretien et nettoyage34, 35

Instructions d'installation36 à 40

Conseils de dépannage ...41, 42

Soutien au consommateur43, 44

Inscrivez les numéros de modèle et de série ici :

N° de modèle _____

N° de série _____

Vous les trouverez sur l'étiquette de classification à l'avant de votre chauffe-eau.

Information sur la sécurité	Instructions de fonctionnement	Entretien et nettoyage	Instructions d'installation	Conseils de dépannage	Soutien au consommateur
------------------------------------	---------------------------------------	-------------------------------	------------------------------------	------------------------------	--------------------------------

INFORMATION IMPORTANTE SUR LA SÉCURITÉ. LISEZ TOUTES LES INSTRUCTIONS AVANT L'UTILISATION.

⚠ AVERTISSEMENT!

Pour votre sécurité, vous devez suivre les instructions contenues dans ce manuel pour réduire les risques d'incendie ou d'explosion, d'électrocution ou pour prévenir les dommages matériels, les blessures ou la mort.

Assurez-vous de lire et de comprendre tout le manuel de l'utilisateur avant de tenter d'installer ou de faire fonctionner ce chauffe-eau. Vous sauvez du temps et de l'argent. Accordez une attention toute particulière aux directives de sécurité. Tout manquement à ces avertissements peut occasionner des blessures graves ou la mort. Si vous avez de la difficulté à comprendre les instructions contenues dans ce manuel ou si vous avez des questions, ARRÊTEZ et demandez de l'aide à un technicien qualifié ou à votre fournisseur d'électricité.

RÉGLAGE DE LA TEMPÉRATURE DE L'EAU

La sécurité et la conservation de l'énergie sont des facteurs à considérer lors du réglage de la température de l'eau à l'aide de l'interface utilisateur du chauffe-eau. Une température de l'eau supérieure à 52 °C (125 °F) peut causer des brûlures graves ou la mort par ébullition. Assurez-vous de lire et de suivre les avertissements exposés sous l'image de l'étiquette ci-dessous. Cette étiquette est également sur le chauffe-eau près du dessus du réservoir.

⚠ DANGER



L'eau à une température supérieure à 52 °C (125 °F) peut causer instantanément des brûlures graves ou la mort par ébullition.

Le réglage de la commande électronique de température est habituellement proche de la température de l'eau au robinet. Toutefois, certains facteurs peuvent causer une hausse de la température de l'eau pouvant aller jusqu'à 71 °C, peu importe le réglage de la commande. Touchez toujours l'eau avant de vous baigner ou de prendre votre douche.

Les enfants et les personnes handicapées ou âgées sont plus à risque de s'ébouillanter.

Consultez les instructions contenues dans ce manuel avant de régler la température du chauffe-eau.

Touchez l'eau avant de vous baigner ou de prendre votre douche.

Des valves de limitation de la température sont vendues; consultez ce manuel.

Il se vend des mélangeurs qui réduisent la température de l'eau au point d'utilisation en mélangeant de l'eau froide à l'eau chaude dans les canalisations de distribution. Communiquez avec un plombier certifié ou l'autorité en plomberie pour plus d'information.

Relation température/temps pour les brûlures

Température	Temps pour produire une brûlure grave
49 °C (120 °F)	Plus de 5 minutes
52 °C (125 °F)	1-1/2 à 2 minutes
54 °C (130 °F)	Environ 30 secondes
57 °C (135 °F)	Environ 10 secondes
60 °C (140 °F)	Moins de 5 secondes
63 °C (145 °F)	Moins de 3 secondes
66 °C (150 °F)	Environ 1-1/2 seconde
68 °C (155 °F)	Environ 1 seconde

Tableau courtoisie du Shriners Burn Institute

Vous pouvez utiliser le tableau ci-dessus comme pour déterminer la bonne température de l'eau pour votre maison.

REMARQUE : Les ménages avec des petits enfants ou des personnes handicapées ou âgées peuvent nécessiter un réglage du thermostat à 49 °C (120 °F) ou moins pour prévenir le contact avec de l'eau TROP CHAUDE.

⚠ DANGER : Il existe une possibilité de S'ÉBOUILLANTER si le chauffe-eau est réglé à une température trop élevée.

⚠️ AVERTISSEMENT!

L'essence ainsi que d'autres substances et liquides inflammables (adhésifs, solvants, etc.) et les émanations qu'ils produisant sont extrêmement dangereux. NE PAS manipuler, utiliser ou entreposer de l'essence ou d'autres substances inflammables ou combustibles près d'un chauffe-eau. L'arc électrique à l'intérieur de la commande du chauffe-eau peut allumer ces émanations. Le manquement à cette directive peut entraîner des dommages matériels, des blessures ou la mort.

⚠️ POUR INSTALLATIONS DANS L'ÉTAT DE CALIFORNIE

Les lois de la Californie exigent que les chauffe-eau résidentiels soient fixés, ancrés ou attachés pour qu'ils ne tombent pas et qu'ils résistent aux mouvements horizontaux causés par les tremblements de terre. Pour les chauffe-eau résidentiels d'une capacité inférieure à 197 litres (52 gallons), vous pouvez vous procurer une brochure avec des instructions génériques de fixation pour les tremblements de terre en vous adressant à : Office of the State Architect, 400 P Street, Sacramento, CA 95814 ou vous pouvez téléphoner au 916.324.5315 ou demander à un distributeur de chauffe-eau.

Cependant, ce sont les codes municipaux applicables qui régissent l'installation. Pour les chauffe-eau résidentiels d'une capacité supérieure à 197 litres (52 gallons), adressez-vous aux autorités municipales pour connaître les procédures de fixation acceptables.

Avertissement en vertu de la Proposition 65 de la Californie : Ce produit contient des produits chimiques connus dans l'État de Californie comme causant le cancer, les malformations et autres défauts de naissance.



**LISEZ ET SUIVEZ ATTENTIVEMENT CES DIRECTIVES DE SÉCURITÉ.
CONSERVEZ CES INSTRUCTIONS**

Information
sur la sécurité

Instructions de
fonctionnement

Entretien et
nettoyage

Instructions
d'installation

Conseils de
dépannage

Soutien au
consommateur

Fonctionnement du chauffe-eau.

⚠ AVERTISSEMENT : Le système d'eau chaude desservi par ce chauffe-eau peut produire de l'hydrogène s'il n'a pas été utilisé pendant une longue période de temps (généralement deux semaines ou plus). L'HYDROGÈNE EST UN GAZ EXTRÊMEMENT INFLAMMABLE! Pour dissiper ce gaz et pour réduire le risque de blessure, il est recommandé d'ouvrir le robinet d'eau chaude pendant plusieurs minutes à l'évier de la cuisine avant d'utiliser un appareil électrique raccordé au système d'eau chaude. S'il y a de l'hydrogène dans le système, il y aura un bruit inhabituel comme de l'air qui s'échappe par le tuyau quand l'eau commencera à couler. Ne pas fumer ou utiliser une flamme nue près du robinet lorsque vous l'ouvrez.

Précautions de sécurité

- A. Couper** le courant du chauffe-eau si celui-ci a subi un surchauffage, un incendie, une inondation ou des dommages matériels.
- B. Ne pas** allumer le chauffe-eau s'il n'est pas rempli d'eau
- C. Ne pas** allumer le chauffe-eau si la valve d'interruption d'eau froide est fermée.
- D. Ne pas** entreposer ou utiliser d'essence ou autres substances, émanations ou liquides inflammables, comme des adhésifs ou du dissolvant à peinture, dans les parages de cet appareil ou de tout autre appareil électrique. Si vous devez utiliser ces substances inflammables, ouvrez les portes et les fenêtres pour de la ventilation.

REMARQUE : Des vapeurs inflammables peuvent être amenées par des courants d'air jusque dans les parages du chauffe-eau.

- E.** Si vous avez quelque difficulté que ce soit à comprendre ou à suivre ces instructions de fonctionnement ou la section sur l'entretien et le nettoyage, il est recommandé de faire effectuer le travail par une personne qualifiée.

⚠ AVERTISSEMENT :

Si le chauffe-eau a été soumis à une inondation, un incendie ou à des dommages matériels, coupez l'alimentation du chauffe-eau en électricité et en eau.

Ne pas utiliser le chauffe-eau tant qu'il n'a pas été complètement vérifié par un technicien de service qualifié.

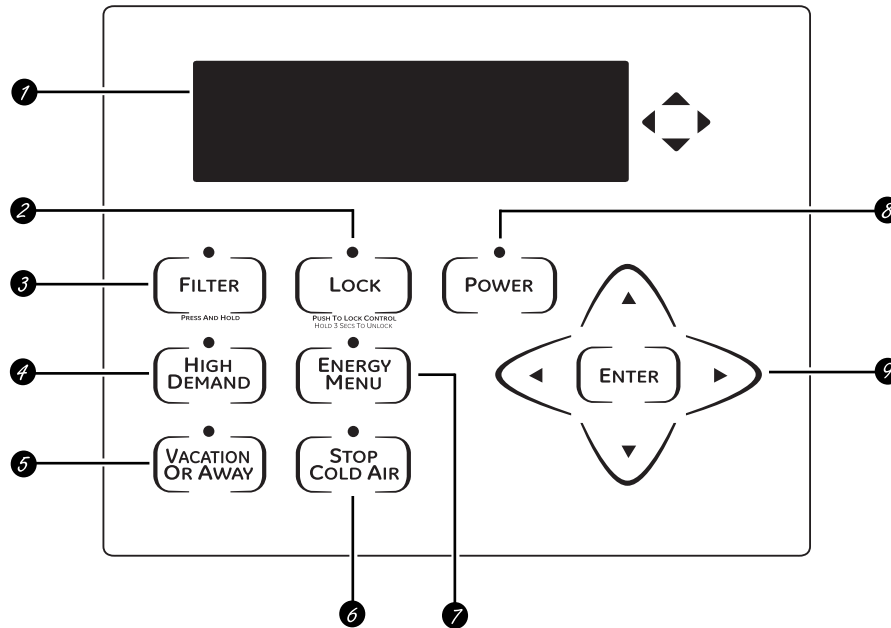
Commandes de sécurité

Ce chauffe-eau est équipé de deux commandes de limitation de la température (CLT) qui sont situés au-dessus de l'élément chauffant en contact avec la surface du réservoir. Si pour quelque raison que ce soit la température de l'eau devient beaucoup trop chaude, la commande de limitation de la température (CLT) coupe le circuit électrique de l'élément chauffant. Une fois que cette commande est enclenchée, elle doit être réinitialisée manuellement. La réinitialisation des commandes de limitation de la température doit être effectuée par un technicien de service qualifié.

Pour réinitialiser la commande de limitation de la température :

1. Coupez le courant du chauffe-eau.
2. Enlevez le panneau d'accès et l'isolant.
Le couvercle protecteur du thermostat ne doit pas être enlevé.
3. Appuyez sur le bouton rouge marqué RESET (réinitialiser).
4. Remplacez l'isolant et le panneau d'accès avant de remettre le courant au chauffe-eau.

⚠ ATTENTION : La cause de cette hausse de température doit être examinée par un technicien de service qualifié et des mesures correctives doivent être prises avant de remettre le chauffe-eau en service.



Commandes

- 1 Affichage**
- 2 Lock (Verrouillage)**
Maintenez ce bouton enfoncé pendant 3 secondes pour verrouiller ou déverrouiller le clavier de commande. Le voyant lumineux vert est allumé quand les commandes sont verrouillées.
- 3 Filter (Filtre)**
Le filtre est sale et a besoin d'être nettoyé quand le voyant lumineux rouge est allumé. Le filtre est situé sur le dessus du chauffe-eau. Appuyez sur ce bouton pour réinitialiser l'alarme du filtre.
- 4 High Demand (Grande demande)**
Utilisez ce bouton quand vous avez besoin de davantage d'eau chaude. Cette fonction augmente la vitesse de chauffage de l'eau et utilise davantage d'électricité. Le voyant lumineux vert est allumé quand cette fonction est activée.
- 5 Vacation Or Away (Vacances ou absence)**
Utilisez ce bouton durant les périodes où l'eau chaude n'est pas utilisée, comme durant les vacances prolongées. Cette fonction réduit la consommation d'énergie en périodes d'absence. Le voyant lumineux vert est allumé quand cette fonction est activée.
- 6 Stop Cold Air (Arrêt de l'air froid)**
Utilisez ce bouton pour arrêter temporairement l'air froid de sortir de l'appareil ou pour arrêter le bruit du ventilateur. Cependant, l'appareil utilisera davantage d'électricité, donc ce mode devrait généralement n'être utilisé que pour de courtes périodes de temps. Le voyant lumineux vert est allumé quand cette fonction est activée.
- 7 Energy Menu (Menu énergie)**
Changez le mode de fonctionnement du chauffe-eau en appuyant sur ce bouton. Vous pouvez également changer l'affichage de la température de °F à °C et voir la FAQ.
- 8 Power (Courant)**
Utilisez ce bouton pour activer ou désactiver toutes les sources de chauffage de cet appareil.
REMARQUE : L'interface utilisateur continuera de fonctionner quand le bouton du courant est fermé.
- 9 Flèches**
Utilisez les flèches du haut, du bas, de gauche et de droite pour naviguer à travers les menus ou pour changer la température de l'eau.

Activation du chauffe-eau.

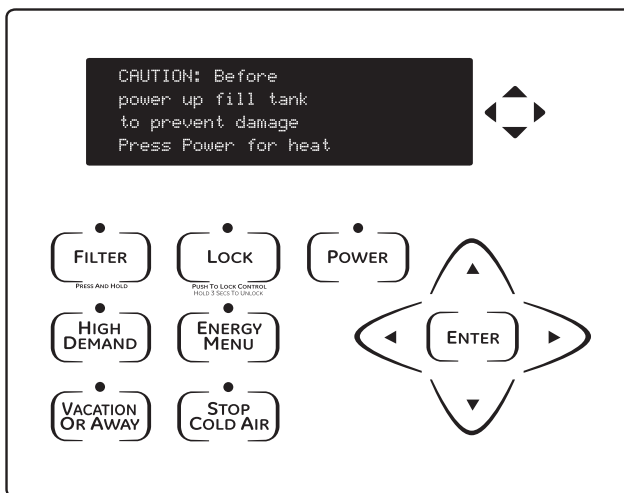
La première fois que vous appuyez sur le bouton du courant et que le chauffe-eau est activé, l'écran vous demandera de confirmer que le réservoir a été rempli d'eau. Pour prévenir les dommages, le réservoir doit être plein d'eau avant d'activer le chauffe-eau.

La garantie du chauffe-eau ne couvre pas les dommages ou les pannes causés par un fonctionnement avec un réservoir vide ou partiellement rempli. (Consultez le Certificat de garantie limitée pour connaître toutes les conditions.)

Si le réservoir n'a PAS été rempli, purgez-le et remplissez-le d'eau avant d'appuyer de nouveau sur le bouton **POWER (courant)**.

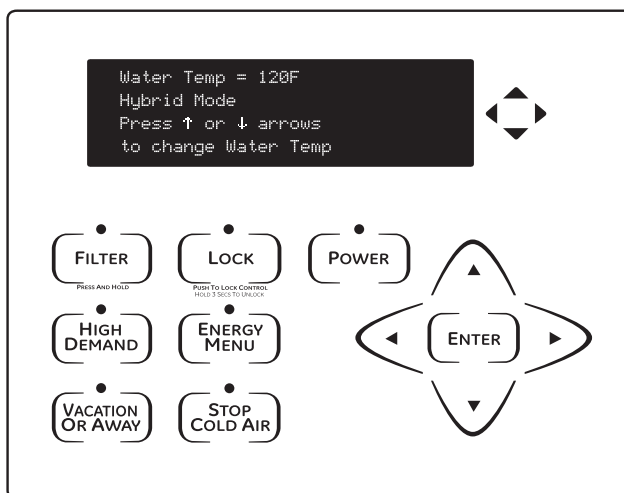
- Assurez-vous que le robinet de vidange est complètement fermé.
- Ouvrez la valve d'arrêt de la canalisation d'eau froide.
- Ouvrez lentement chacun des robinets d'eau chaude pour permettre à l'air de s'échapper du chauffe-eau et de la tuyauterie.
- Un débit régulier des robinets d'eau chaude indique que le chauffe-eau est plein.

Après que le réservoir a été rempli d'eau, appuyez de nouveau sur le bouton **POWER (courant)**.



Une fois que le chauffe-eau est activé, l'écran principal apparaîtra. L'affichage montrera le réglage actuel de la température de l'eau et le mode de fonctionnement actuel du chauffe-eau.

En conformité avec la réglementation de sécurité, les commandes sont pré-réglées à l'usine à 49 °C (120 °F) et au mode hybride. Ce sont les réglages recommandés pour le chauffe-eau.



Si l'affichage disparaît, appuyez sur n'importe quel bouton et il réapparaîtra. Pour revenir à l'écran par défaut (**accueil**) appuyez sur la flèche gauche jusqu'à ce que l'écran par défaut (**accueil**) apparaisse.

La température de l'eau dans le chauffe-eau peut être réglée en ajustant le réglage de température à l'aide des flèches haut et bas sur le panneau de commande.

La sécurité et la conservation de l'énergie sont des facteurs à considérer lors du réglage de la température de l'eau du chauffe-eau. Plus le réglage de température est bas, plus vous économisez sur l'énergie et les coûts de fonctionnement.

En conformité avec la réglementation de sécurité, les commandes sont pré-réglées à l'usine à 49 °C (120 °F) où le code municipal l'exige. C'est le réglage de départ recommandé.

L'eau à des températures supérieures à 52 °C (125 °F) peut causer des brûlures graves ou la mort par ébullition. Assurez-vous de lire et de suivre les avertissements indiqués dans ce manuel et sur l'étiquette sur le chauffe-eau. Cette étiquette est située sur chauffe-eau près du panneau d'accès à l'élément supérieur.

Il se vend des mélangeurs qui réduisent la température de l'eau au point d'utilisation en mélangeant de l'eau froide à l'eau chaude dans les canalisations de distribution. Communiquez avec un plombier certifié ou l'autorité en plomberie pour plus d'information.

Vous pouvez utiliser le tableau ci-dessus comme pour déterminer la bonne température de l'eau pour votre maison.

⚠ DANGER : Il existe une possibilité de s'ébouillanter si le chauffe-eau est réglé à une température trop élevée. Les ménages avec des petits enfants ou des personnes handicapées ou âgées peuvent nécessiter un réglage du thermostat à 49 °C (120 °F) ou moins pour prévenir le contact avec de l'eau TROP CHAUDE.

Relation température/temps pour les brûlures

Température	Temps pour produire une brûlure grave
49 °C (120 °F)	Plus de 5 minutes
52 °C (125 °F)	1-1/2 à 2 minutes
54 °C (130 °F)	Environ 30 secondes
57 °C (135 °F)	Environ 10 secondes
60 °C (140 °F)	Moins de 5 secondes
63 °C (145 °F)	Moins de 3 secondes
66 °C (150 °F)	Environ 1-1/2 seconde
68 °C (155 °F)	Environ 1 seconde

Tableau courtoisie du Shriners Burn Institute

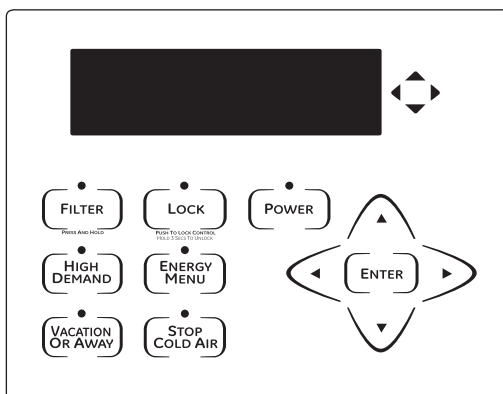
Pour régler la température

Appuyez sur les flèches du **HAUT** ou du **BAS** sur le clavier du panneau de commande. On vous demandera d'appuyer sur le bouton **ENTER (entrer)** pour confirmer que la température plus chaude augmente le risque de brûlure. Ensuite la température peut être augmentée ou réduite en appuyant sur les flèches du **HAUT** ou du **BAS**. Après avoir atteint le réglage de température désiré, vous pouvez appuyer sur **ENTER (entrer)** pour accepter ou vous pouvez simplement vous

en aller. (Après 3 secondes sans avoir appuyé sur une touche, la commande acceptera le nouveau réglage de température.)

⚠ DANGER : Il existe une possibilité de s'ébouillanter si le chauffe-eau est réglé à une température trop élevée.

Le réglage de la température de l'eau à 49 °C (120 °F) est recommandé, mais il peut être ajusté à n'importe quelle température entre 38 °C (100 °F) et 60 °C (140 °F).



Réglage de la température de l'eau et du mode de fonctionnement.

Ce chauffe-eau est réglé par défaut au mode de fonctionnement hybride. Le mode hybride est le réglage recommandé pour ce chauffe-eau, mais il peut être changé si désiré. Les modes possibles sont listés ci-dessous et peuvent être affichés en appuyant sur le bouton ENERGY MENU (menu énergie).

Mode eHeat™

Le mode eHeat™ est le mode de consommation d'énergie plus efficace pour ce chauffe-eau. Il utilise la chaleur ambiante pour chauffer l'eau. Ce mode prend plus de temps pour chauffer l'eau, par conséquent il peut ne PAS être suffisant en situation de grande demande comme pour une grosse maisonnée ou une entreprise.

Mode électrique standard

Ce mode utilise uniquement les éléments de chauffage du haut et du bas pour chauffer l'eau. Ce mode prend moins de temps pour chauffer l'eau, mais c'est le mode le MOINS efficace pour conserver l'énergie.

Mode hybride—MODE RECOMMANDÉ

Le mode hybride combine l'efficacité énergétique du mode eHeat™ et la vitesse de remontée et la puissance du mode électrique standard, à l'utilisation d'eau normale.

Grande demande

Ce mode est nécessaire uniquement si votre maisonnée a une utilisation d'eau plus haute que la normale ou si l'appareil est de trop petite taille pour la demande de la maisonnée. Dans ce mode, l'appareil utilise les éléments électriques de chauffage seulement lorsque la demande en eau chaude est plus haute que la normale. En utilisant les éléments de chauffage, la température de l'eau remonte plus rapidement, mais plus d'énergie est nécessaire pour chauffer l'eau. À la différence du mode électrique standard, il utilise les éléments de chauffage uniquement au besoin.

Pour accéder à l'un de ces modes :

- 1 Appuyez sur le bouton **ENERGY MENU (menu énergie)** puis appuyez sur **ENTER (entrer)**.
- 2 Choisissez « Modes de fonctionnement » dans la liste du menu et appuyez sur **ENTER (entrer)**.
- 3 Choisissez le mode de fonctionnement à l'aide des boutons des flèches du **HAUT** et du **BAS** puis appuyez de nouveau sur **ENTER (entrer)**.

Pour annuler et retourner au menu Énergie principal :

Appuyez sur le bouton de la flèche du **HAUT**.

Navigation générale du menu Énergie :

- 1 Pour plus d'information sur chaque mode, lorsque le mode est surligné, appuyez sur le bouton de la flèche de **DROITE** pour en lire la description.
- 2 Utilisez les boutons des flèches du **HAUT** et du **BAS** pour faire dérouler les écrans de description.
- 3 Utilisez le bouton de la flèche de **GAUCHE** pour revenir à la liste du menu « Modes de fonctionnement ».

Vacances ou absence

Cette fonction est utilisée lorsque vous êtes loin de la maison pour une longue période de temps et que l'eau chaude n'est pas nécessaire. Dans ce mode, l'appareil baissera la température de l'eau à 10 °C (50 °F) et utilisera le mode de chauffage le plus efficace pour conserver l'énergie pendant que le chauffe-eau ne sert pas. L'appareil recommencera à chauffer une journée avant votre retour pour qu'il y ait de l'eau chaude disponible.

Par exemple, si vous partez pour 14 jours, appuyez sur le bouton **VACATION OR AWAY (vacances ou absence)**, appuyez sur le bouton de la flèche du **HAUT** jusqu'à ce que l'écran affiche 14 jours (le nombre réglé par défaut est 7 jours) puis appuyez sur **ENTER (entrer)**. L'appareil baissera la température de l'eau à 10 °C (50 °F) pendant 13 jours. À la fin du 13^e jour, il reviendra automatiquement au mode de fonctionnement précédent et chauffera l'eau au réglage initial de température.

Le voyant lumineux vert est allumé quand cette fonction est activée.

Arrêt de l'air froid

Les modes hybride et eHeat™ conservent l'énergie en utilisant la chaleur de l'air ambiant pour chauffer l'eau. L'air tiède est aspiré dans le système par des ventilateurs où il est refroidi. Cet air froid sort alors de l'arrière du chauffe-eau.

Vous pouvez arrêter temporairement l'air froid et le bruit de ventilateur provenant de l'appareil en appuyant sur le bouton **STOP COLD AIR (arrêt de l'air froid)**.

Pour régler le nombre de jours où cette fonction sera activée, vous n'avez qu'à utiliser les boutons des flèches du **HAUT** et du **BAS** puis appuyez sur **ENTER (entrer)** (le réglage par défaut est de 3 jours). L'appareil reviendra automatiquement au mode de fonctionnement précédent après que le nombre de jours choisi est écoulé.

Ce mode doit être utilisé uniquement sur une base temporaire parce que vous ne faites PAS d'économies d'énergie dans ce mode.

Le voyant lumineux vert est allumé quand cette fonction est activée.

Grande demande (sur certains modèles)

Ce mode n'est nécessaire que lorsque votre maison utilise plus d'eau chaude que la normale ou que l'appareil est de trop petite taille pour la demande en eau chaude de votre maison.

Dans ce mode, l'appareil n'utilisera les éléments de chauffage électriques que lorsque la demande en eau chaude est plus haute que la normale. En utilisant les éléments de chauffage, la température de l'eau remonte plus rapidement, mais plus d'énergie est nécessaire pour chauffer l'eau.

À la différence du mode électrique standard, il utilise les éléments de chauffage uniquement au besoin.

Le voyant lumineux vert est allumé quand cette fonction est activée.

Verrouillage de la commande

Le clavier de commande peut être verrouillé pour éviter qu'on appuie accidentellement sur les boutons.

Vous n'avez qu'à enfoncer et maintenir le bouton **LOCK (verrouiller)** pendant trois secondes. L'affichage montrera « les commandes sont verrouillées » et le voyant lumineux vert sera allumé quand cette fonction est activée. Pendant que les commandes sont verrouillées, le clavier ne reconnaît aucun bouton appuyé.

Pour désactiver le verrouillage, enfoncez et maintenez le bouton **LOCK (verrouiller)** pendant trois secondes. Le voyant lumineux vert s'éteindra graduellement et l'écran reviendra à l'affichage par défaut.

Utilisation du menu Énergie.

Le menu Énergie est aussi utilisé pour changer les modes de fonctionnement du chauffe-eau, pour convertir l'affichage de °F à °C ou pour voir la FAQ. Il existe aussi un menu Diagnostic accessible uniquement par le technicien de service certifié ou le plombier lorsqu'une réparation est nécessaire.

Modes de fonctionnement

Utilisez cette option pour passer des modes eHeat™, hybride, électrique standard et grande demande (décrits à la page 30).

- 1 Pour accéder à l'un de ces modes, appuyez sur le bouton **ENERGY MENU (menu énergie)** puis appuyez sur **ENTER (entrer)**.
- 2 Choisissez parmi les modes de la liste du menu et appuyez sur **ENTER (entrer)**.
- 3 Choisissez le mode de fonctionnement désiré à l'aide des flèches du **HAUT** ou du **BAS** puis appuyez de nouveau sur **ENTER (entrer)**.
- 4 Pour annuler et revenir au menu Énergie principal, appuyez sur le bouton de la flèche de **GAUCHE**.
- 5 Pour obtenir plus d'information sur chaque mode, lorsque le mode est surligné, appuyez sur le bouton de la flèche de **DROITE** pour lire la description.
- 6 Utilisez les boutons des flèches du **HAUT** ou du **BAS** pour faire dérouler les écrans de description.
- 7 Utilisez le bouton de la flèche de **GAUCHE** pour revenir à la liste du menu Mode de fonctionnement.

Conversion de °F et °C

L'affichage de la température de l'eau reviendra par défaut à °F. Pour afficher les températures en °C, appuyez sur le bouton **ENERGY MENU (menu énergie)** ; puis appuyez sur **ENTER (entrer)**. Ces réglages seront enregistrés et ils reviendront après une panne d'électricité.

- 1 Appuyez sur le bouton de la flèche du **BAS** pour aller à « Choisir °F et °C » puis appuyez sur **ENTER (entrer)**.
- 2 Appuyez sur **ENTER (entrer)** pour changer de °F à °C. L'écran principal affichera alors les températures en °C.
- 3 Pour annuler et revenir au menu Énergie principal, appuyez sur le bouton de la flèche de **GAUCHE**.

REMARQUE : Pour revenir à °F, répétez les étapes 1 et 2.

Faire aux questions (FAQ)

Ces articles de menu répondent aux principales questions sur l'air froid, le filtre, les modes de fonctionnement et le bruit. Toute cette information est traitée dans ce manuel d'utilisation et d'entretien. Si vous égarez ce manuel, vous pouvez consulter cette section pour des réponses à vos questions.

- 1 Pour accéder à FAQ, appuyez sur le bouton **ENERGY MENU (menu énergie)** puis appuyez sur **ENTER (entrer)**.
- 2 Appuyez sur le bouton de la flèche du **BAS** pour aller à FAQ puis appuyez sur **ENTER (entrer)**.

Il y a quatre catégories de question :

Air froid :

- Q: Pourquoi y a-t-il de l'air froid?
- A: Les modes hybride et eHeat™ conservent l'énergie en utilisant l'air pour chauffer l'eau et refroidissant ainsi l'air ambiant. Ces modes font économiser de l'énergie de façon considérable.
- Q: Comment peut-on arrêter l'air froid?
- A: Appuyez sur le bouton **STOP COLD AIR (arrêter l'air froid)** sur le clavier. Ceci réduit l'efficacité du chauffe-eau. L'appareil reviendra au mode précédent après que le nombre de jours choisis est écoulé.

Filtre :

- Q: Pourquoi y a-t-il un filtre?
- A: Dans les modes hybride et eHeat™, l'appareil déplace de l'air à travers le système. Le filtre protège l'appareil de la poussière. Un filtre à l'air propre améliore l'efficacité.
- Q: Comment peut-on nettoyer le filtre?
- A: Laisser le courant allumé et retirez le filtre de l'appareil. Le filtre peut être essuyé ou rincé à l'eau tiède. Un filtre sale réduira l'efficacité du chauffe-eau!

Modes :

- Q: Qu'est-ce que le mode Grande demande?
- A: Le mode Grande demande peut être utilisé quand l'utilisation d'eau chaude est plus haute que la normale. Cet appareil sera moins efficace mais chauffera l'eau plus rapidement en réponse à de longs débits. Pour les débits normaux, l'appareil utilisera quand même le mode eHeat™ efficace.
- Q: Qu'est-ce que le mode Arrêter l'air froid?
- A: Ce mode arrête temporairement l'air froid mais réduit l'efficacité du chauffe-eau. L'appareil reviendra au mode précédent après que le nombre de jours choisis sera écoulé.
- Q: Qu'est-ce que le mode Vacances et absence?
- A: Si vous devez vous absenter pendant une période de temps prolongée, ce mode baisse la température de l'eau pour réduire la consommation d'énergie. L'appareil reviendra au mode précédent mode une journée avant votre retour.
- Q: Qu'est-ce que le mode eHeat™?
- A: Le mode eHeat™ est le plus efficace. Il prend la chaleur de l'air pour chauffer l'eau, refroidissant ainsi l'air ambiant. La température de l'eau monte moins vite, mais c'est le mode le plus efficace.
- Q: Qu'est-ce que le mode Hybride?
- A: Le mode Hybride combine les avantages du mode eHeat™ à la vitesse et la puissance du mode Électrique standard. Ceci donne une meilleure performance avec moins d'énergie. (Mode recommandé.)
- Q: Qu'est-ce que le mode Électrique standard?
- A: Le mode Électrique standard utilise uniquement les éléments pour chauffer l'eau. Ce mode fait monter la température plus rapidement que le mode Hybride, mais utilise plus d'énergie.

Bruit :

- Q: Pourquoi l'appareil fait-il du bruit?
- A: Dans les modes eHeat™ et Hybride plus efficaces au plan énergétique, le moyen utilisé pour chauffer l'eau fait un peu de bruit. Tous les ventilateurs font un peu de bruit.
- 3 Utilisez les boutons des flèches du **HAUT** ou du **BAS** pour choisir la catégorie correspondant à votre question et appuyez sur **ENTER (entrer)**.
 - 4 Pour annuler et revenir au menu Énergie principal, appuyez sur le bouton de la flèche de **GAUCHE**.
 - 5 Dès que la catégorie est choisie, utilisez les boutons des flèches du **HAUT** ou du **BAS** pour choisir les questions et appuyez sur **ENTER (entrer)**.
 - 6 Utilisez les boutons des flèches du **HAUT** ou du **BAS** pour faire dérouler les écrans d'information.
 - 7 Quand vous avez terminé, appuyez sur le bouton de la flèche de **GAUCHE** pour revenir au menu de la FAQ.

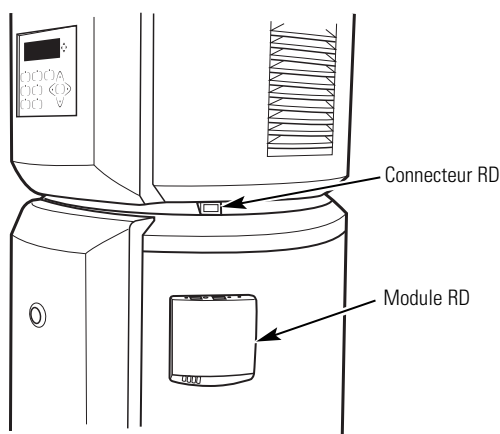
Le chauffe-eau thermopompe Hybride électrique est compatible avec le module Réponse sur demande (RD) qui peut être acheté séparément. Contactez votre fournisseur d'électricité ou visitez www.electromenagersge.ca/demand_response pour voir si votre région utilise la technologie RD.

Les fonctions de réponse sur demande qui sont offertes font partie d'un programme pilote avec votre fournisseur d'électricité pour aider les consommateurs à réduire leur utilisation d'électricité à la maison en périodes de pointe.

INSTALLATION

Le module RD est équipé d'aimants dans sa base qui lui permettent d'être fixé sur l'extérieur en métal peint du chauffe-eau thermopompe.

Les détails sur la façon de brancher les câbles du module sont dans les instructions qui sont fournies avec le module.



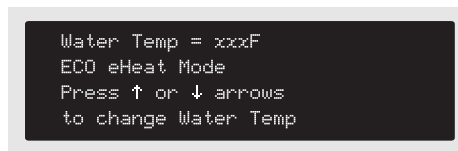
Une fois que le câble du module RD est branché dans la connexion du chauffe-eau, suivez les directives de mise en marche comprises avec le module RD. Dès que le module RD fonctionne, le chauffe-eau thermopompe est prêt à recevoir les signaux RD.

GUIDE RAPIDE

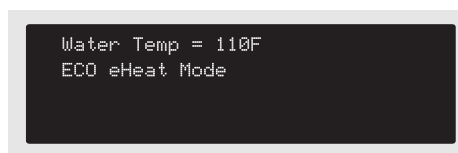
Si votre fournisseur d'électricité utilise la technologie RD, le module RD recevra les signaux envoyés par votre fournisseur d'électricité. Un de quatre signaux sera envoyé : « Bas » signifie que le tarif le plus bas est disponible, les signaux « Moyen » et « Élevé » représentent des paliers de coûts d'énergie et le signal « Critique » représente le tarif d'électricité en « période de pointe ». Un chauffe-eau thermopompe équipé d'un module RD reconnaîtra automatiquement quel tarif d'électricité est disponible et il ajustera son réglage du mode et de la température de manière à utiliser moins d'énergie quand les tarifs sont moyens, élevés et critiques.

Quand le signal est bas ou quand il n'y a pas de module RD branché, fonctionne normalement. Les paliers suivants montrent comment l'appareil réagit aux signaux des paliers Moyen, Élevé et Critique.

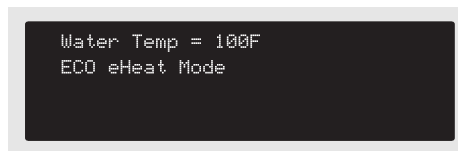
Quand le signal RD est à **Moyen**, la commande fonctionne en mode eHeat™ et la température demeure au réglage actuel choisi par l'utilisateur. L'écran affiche ce qui suit (où xxx est le réglage actuel choisi par l'utilisateur) :



Quand le signal RD est à **Élevé**, la commande fonctionne en mode eHeat™, avec un réglage de la température de l'eau à 110 °F (43 °C), et l'écran affiche :



Quand le signal RD est à **Critique**, la commande fonctionne en mode eHeat™, avec un réglage de la température de l'eau à 100 °F (38 °C), et l'écran affiche :



Entretien et nettoyage du chauffe-eau.

Entretien préventif de routine

⚠ DANGER : Avant d'opérer manuellement la soupape de surpression, assurez-vous que personne n'est exposé au danger de venir en contact avec l'eau chaude libérée par la valve. L'eau peut être assez chaude pour créer un risque d'ébouillantage. L'eau doit être relâchée dans un égout approprié pour prévenir les blessures et les dommages matériels.

REMARQUE : Si la soupape de température et de surpression sur le chauffe-eau se décharge périodiquement, ce peut être causé par l'expansion thermique dans un système d'eau fermé. Communiquez avec le fournisseur d'eau ou avec votre entrepreneur en plomberie pour savoir comment corriger ce problème. Ne bouchiez pas la sortie de la soupape de sûreté.

Si l'est entretenu convenablement, votre chauffe-eau vous donnera des années de service fiable et sans problèmes.

On suggère qu'un programme d'entretien préventif de routine soit établi et suivi par l'utilisateur.

Inspection périodique :

De plus, il est recommandé qu'une inspection périodique des commandes de fonctionnement, des éléments chauffants et du circuit électrique soit effectuée par un technicien de service qualifié en réparation d'appareils électriques.

La plupart des appareils électriques, même quand ils sont neufs, font un certain bruit lorsqu'ils fonctionnent. Si le niveau du bruit de chuintement ou de sifflement augmente excessivement, il peut s'avérer nécessaire de nettoyer l'élément électrique chauffant. Communiquez avec un installateur qualifié ou avec un plombier pour une inspection.

Soupape de surchauffe et de surpression :

Au moins une fois l'an, levez et puis relâchez le levier de la soupape de surchauffe et de surpression située à droite en arrière du chauffe-eau pour vous assurer que la soupape fonctionne librement. Laissez couler plusieurs gallons par la canalisation d'évacuation dans une tranchée de drainage.

Vidange du réservoir :

Le réservoir d'un chauffe-eau peut agir comme une cuve de sédimentation pour les solides en suspension dans l'eau. Il n'est donc pas inhabituel que des dépôts d'eau dure s'accumulent au fond du réservoir. Pour nettoyer le réservoir de ces dépôts, ouvrez chaque mois la valve de vidange située en bas du grand couvercle décoratif au bas de l'appareil et faites couler quelques litres d'eau du chauffe-eau.

Vidange du chauffe-eau

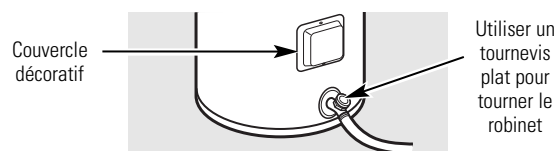
⚠ ATTENTION : Coupez le courant du chauffe-eau avant de vidanger l'eau.

⚠ DANGER : Avant d'opérer manuellement le robinet de vidange, assurez-vous que personne n'est exposé au danger de venir en contact avec l'eau chaude libérée par le robinet. L'eau ainsi libérée peut être assez chaude pour créer un risque d'ébouillantage. L'eau doit être libérée dans un égout approprié pour prévenir les blessures et les dommages matériels.

Fixez un boyau d'arrosage au robinet de vidange situé au bas de l'appareil et amenez ce boyau à un égout. Le couvercle décoratif avant doit être enlevé pour accéder au robinet de vidange.

Pour vidanger complètement le chauffe-eau, fermez l'alimentation d'eau froide. Ouvrez un robinet d'eau chaude ou soulevez le levier de la valve de soupape de surpression pour faire entrer de l'air dans le réservoir.

Ouvrez le robinet de vidange.



Vacances et arrêt prolongé

Si le chauffe-eau doit rester inutilisé pour une longue période de temps, on doit couper l'alimentation en courant et en eau de l'appareil pour conserver de l'énergie et prévenir une dangereuse accumulation d'hydrogène.

Le chauffe-eau et la tuyauterie devraient être vidés s'ils peuvent être exposés à des températures sous le point de congélation.

Après une longue période d'arrêt, les commandes et le fonctionnement du chauffe-eau devraient être vérifiés par un technicien qualifié. Assurez-vous que le chauffe-eau est de nouveau rempli d'eau avant de le remettre en service.

REMARQUE : Consultez l'avertissement sur l'hydrogène dans les instructions de fonctionnement.

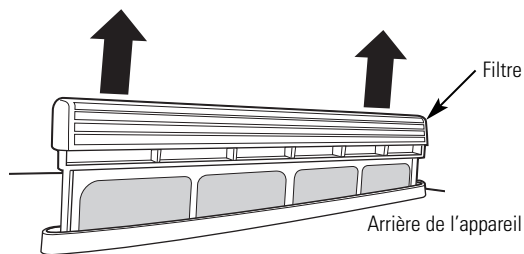
Nettoyage du filtre

Dans les modes hybride, eHeat™ et Grande demande, l'air est aspiré dans le système et sort à l'arrière de l'appareil. Le filtre est là pour protéger l'évaporateur de la saleté et de la poussière.

Il est important d'avoir un filtre propre pour obtenir la meilleure efficacité. Ce filtre devra être nettoyé périodiquement (au minimum une fois par année). Lorsque le filtre a besoin d'être changé, le voyant rouge au-dessus du bouton du filtre s'allume et un bip se fait entendre. L'écran affiche alors un message vous avertissant que le filtre a besoin d'être nettoyé. Lorsque ce message apparaît, vous pouvez appuyer sur le bouton de la flèche de **DROITE** pour lire les instructions de nettoyage du filtre.

REMARQUE : Si le filtre devient trop sale, l'appareil passe automatiquement au mode Électrique standard vous ne faites plus d'économies d'énergie.

Laissez le courant allumé et retirez le filtre du dessus de l'appareil. Il est situé sur le dessus de l'appareil derrière les tuyaux d'eau chaude et d'eau froide. Saisissez la poignée et tirez le filtre vers le haut jusqu'à ce qu'il soit complètement sorti de l'appareil. Une fois enlevé, le filtre peut être essuyé avec un linge propre humide ou rincé à l'eau tiède.



Une fois que le filtre est nettoyé, il peut être remis à sa place en l'alignant dans la fente au-dessus de l'appareil et en le glissant à sa place. Quand la poignée est de niveau avec le dessus de l'appareil, le filtre est en place.

Quand le filtre est remis en place, appuyez sur le bouton **FILTER (filtre)** puis appuyez sur **ENTER (entrer)**.

IMPORTANT : Le filtre doit être nettoyé lorsque l'alarme s'affiche. Avec un filtre sale, le système doit travailler plus fort, il est moins efficace et peut même s'endommager. Pour obtenir la meilleure efficacité énergétique possible, assurez-vous que le filtre est propre.

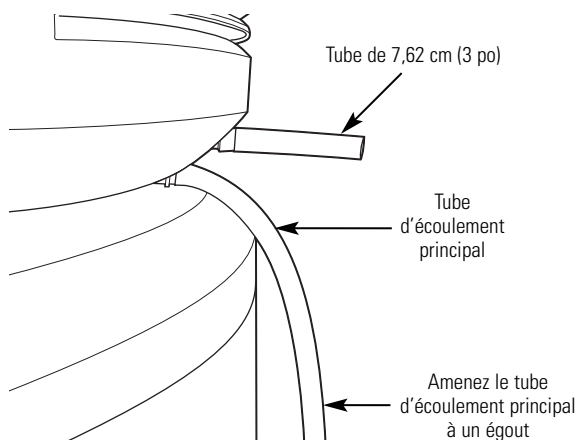
Nettoyage des tubes d'écoulement de la condensation

Il y a deux tubes d'écoulement fixés à l'arrière du chauffe-eau. S'ils sont bouchés, l'eau va déborder de l'appareil.

Le tube principal est conçu pour évacuer toute la condensation. S'il est bouché ou pincé, la condensation coulera sur le sol par le tube secondaire. Ceci sert à avertir l'utilisateur que le tube principal est bouché. Enlevez le tube d'écoulement, enlevez tout débris et remettez-le en place.

Inspectez périodiquement les tubes d'écoulement et enlevez tout débris qui peut s'être accumulé dans les tubes.

Voir les *Instructions d'installation* pour plus d'information.



Information
sur la sécurité

Instructions de
fonctionnement

Entretien et
nettoyage

Instructions
d'installation

Conseils de
dépannage

Soutien au
consommateur

Instructions d'installation

Chauffe-eau

Modèles GEH50DNSRSA et GEH50DXSRGA

L'emplacement choisi pour le chauffe-eau doit tenir compte des considérations suivantes :

RÉGLEMENTATION LOCALE D'INSTALLATION

Ce chauffe-eau doit être installé conformément à ces instructions, aux codes municipaux, aux codes provinciaux, aux exigences de la compagnie d'électricité ou, en l'absence de codes municipaux, à la dernière édition du Code modèle national de l'énergie pour les bâtiments – Canada 1997. Il est disponible en bibliothèque ou en ligne à http://www.nationalcodes.ca/mnecb/index_f.shtml.

EXIGENCES ÉNERGÉTIQUES

Vérifiez ce qui est indiqué sur la plaque de classification du chauffe-eau pour être sûr que l'alimentation électrique correspond aux exigences du chauffe-eau.

EMPLACEMENT

Installez le chauffe-eau dans un endroit sec et propre et aussi près que possible de l'endroit où la demande en eau chaude est la plus grande. Les longues conduites d'eau chaude non isolées gaspillent l'énergie et l'eau.

REMARQUE : Comme l'appareil aspire l'air ambiant pour chauffer l'eau, la pièce doit mesurer au moins 3,05 m x 3,05 m x 2,2 m (10 pi x 10 pi x 7 pi), 18,8 m³ (700 pi³) ou plus. Si la pièce est plus petite, elle doit avoir une porte persienne.

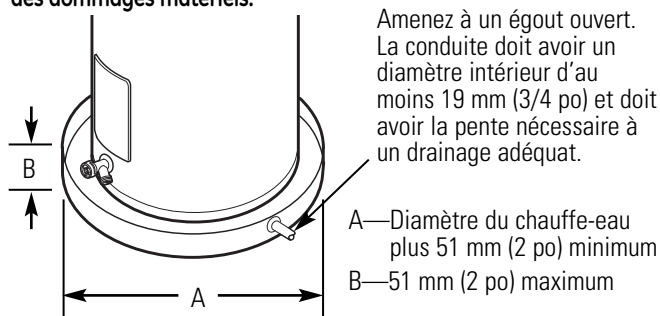
Placez le chauffe-eau de manière à ce que le filtre à air, le couvercle et les panneaux frontaux puissent être enlevés pour permettre l'inspection et la réparation, comme le remplacement des éléments ou le nettoyage du filtre.

Le chauffe-eau et les conduites d'eau doivent être protégés des températures sous zéro et des atmosphères trop agressives. Ne pas installer le chauffe-eau dehors ou dans des endroits non protégés.

ATTENTION : Le chauffe-eau ne doit pas être situé dans un endroit où l'écoulement du réservoir ou des raccords causera du dommage aux endroits adjacents ou aux planchers plus bas de la structure. Lorsque de tels endroits ne peuvent être évités, il est recommandé d'installer un bac d'écoulement adéquatement drainé sous le chauffe-eau.

EMPLACEMENT (SUITE)

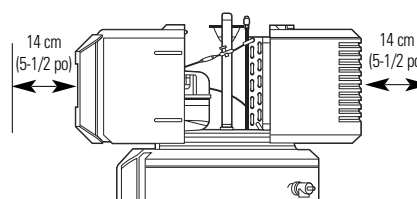
AVERTISSEMENT : Ce chauffe-eau NE DOIT PAS être installé dans un espace où sont utilisés ou entreposés des liquides qui dégagent des vapeurs inflammables. Ces liquides comprennent l'essence, les GPL (butane et propane), la peinture ou les adhésifs et leurs diluants, solvants ou décapants. À cause du mouvement naturel de l'air dans une pièce ou autre espace clos, les vapeurs inflammables peuvent être charriées de l'endroit où leurs liquides sont utilisés ou entreposés. L'arc électrique à l'intérieur de la commande du chauffe-eau peut allumer ces vapeurs et causer une explosion ou un incendie pouvant occasionner des brûlures graves ou la mort pour ceux qui sont dans les parages, ainsi que des dommages matériels.



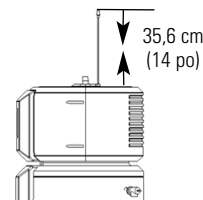
REMARQUE : Le bac d'écoulement auxiliaire DOIT être conforme aux normes locales. Des trousse de bac d'écoulement sont vendues au magasin où le chauffe-eau a été acheté, dans les quincailleries et autres distributeurs de chauffe-eau.

Dégagement requis :

Un espace de dégagement de 17,8 cm (7 po) est recommandé avec un dégagement minimum de 14 cm (5-1/2 po) entre tout et les couvercles avant et arrière au cas où une réparation serait nécessaire.



Un dégagement minimum de 35,6 cm (14 po) est requis pour enlever le filtre pour le nettoyer. Les canalisations d'eau chaude et d'eau froide et les connexions électriques ne doivent pas affecter l'enlèvement du filtre.



Tuyau d'écoulement de la condensation

L'appareil est doté d'un tuyau d'écoulement; il doit par conséquent y avoir un égout à proximité. L'égout ne doit pas être plus haut que 91,44 cm (36 po) au-dessus du plancher (un égout de laveuse est acceptable). S'il n'y a pas d'égout, alors une pompe à condensats ordinaire d'une capacité d'au moins 3,8 l/h (1 gal/h) doit être achetée et installée.

Instructions d'installation

DILATATION THERMIQUE

⚠ AVERTISSEMENT : Le chauffe-eau ne doit pas être installé dans un endroit dans un espace où sont utilisés ou entreposés des liquides qui dégagent des vapeurs inflammables.

Déterminez s'il y a un clapet de retenue dans la conduite d'entrée d'eau. Il peut avoir été installé dans la conduite d'eau froide en tant que dispositif anti-refoulement ou il fait peut-être partie d'une valve de réduction de pression, d'un compteur d'eau ou d'un adoucisseur d'eau. Un clapet de retenue à l'intérieur d'une conduite d'entrée d'eau froide peut causer ce qu'on appelle un « **réseau d'alimentation en eau en circuit fermé** ». Une conduite sans clapet de refoulement ou sans dispositif anti-refoulement est un réseau d'alimentation en eau « ouvert ».

Lorsque l'eau est chauffée, son volume augmente et crée une augmentation de la pression à l'intérieur du système d'eau. On appelle cette action la « **dilatation thermique** ». Dans un réseau d'alimentation en eau « ouvert », l'eau en dilatation qui excède la capacité du chauffe-eau est refoulée dans la canalisation publique où la pression se dissipe facilement.

Toutefois, un « **réseau d'alimentation en eau en circuit fermé** » empêche l'eau en dilatation de refouler dans la canalisation publique et le résultat de la « **dilatation thermique** » peut créer une hausse de pression rapide et dangereuse dans le chauffe-eau et les canalisations. Cette hausse rapide de la pression peut rapidement atteindre le réglage de sécurité de la soupape de surpression, l'activant à chaque cycle de chauffage. La dilatation et contraction rapide et répétée des composants du chauffe-eau et des conduites peut provoquer une défaillance prématurée de la soupape de surpression et aussi du chauffe-eau lui-même. Le remplacement de la soupape de surpression **ne** règlera **pas** le problème!

La manière suggérée de contenir la dilatation thermique est d'installer un réservoir de dilatation sur la conduite d'eau froide entre le chauffe-eau et le clapet de retenue (voir l'illustration à droite). Le réservoir de dilatation est doté d'un coussin d'air qui se comprime avec la hausse de la pression, dissipant ainsi la surpression et éliminant le fonctionnement répété de la soupape de surpression. Il existe d'autres méthodes pour dissiper la dilatation thermique. Consultez votre entrepreneur en installation, le fournisseur d'eau ou un inspecteur de plomberie pour plus d'information sur le sujet.

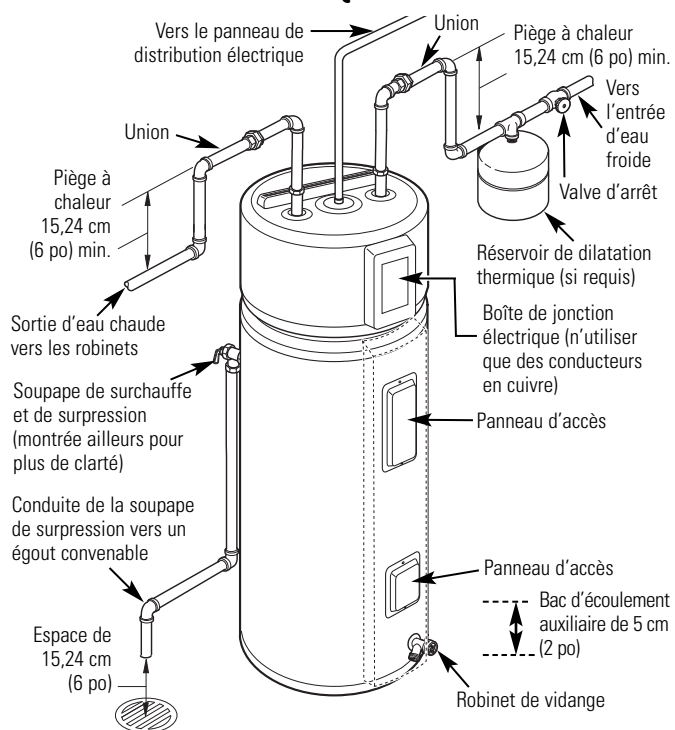
RACCORDEMENTS DE L'ALIMENTATION EN EAU

Consultez l'illustration suivante pour l'installation typique. L'installation d'unions ou des raccords flexible en cuivre sont recommandés pour les raccordements d'eau chaude et d'eau froide pour que le chauffe-eau se déconnecte facilement pour réparation si nécessaire. Les raccordements d'eau CHAUDE et d'eau FROIDE sont clairement marquées et sont toutes de 19,05 mm (3/4 po) PTN sur tous les modèles.

REMARQUE : Installez une valve d'arrêt sur le tuyau d'eau froide près du chauffe-eau. Ceci rendra la réparation et l'entretien plus facile.

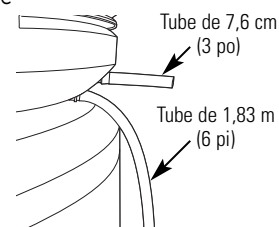
IMPORTANT : Ne pas appliquer de chaleur aux raccordements d'eau CHAUDE ou FROIDE. Si des raccordements soudés à l'étain sont utilisés, soudez le tuyau sur l'adaptateur avant de fixer de dernier aux raccordements d'eau froide du chauffe-eau. Toute chaleur appliquée au raccordement d'eau chaude ou d'eau froide endommagera de façon permanente le tube plongeur.

INSTALLATION TYPIQUE



TUBES D'ÉCOULEMENT DE LA CONDENSATION

Cet appareil est doté d'un bac de condensation. L'eau recueillie par le bac s'écoule par le tube derrière l'appareil. Deux tuyaux flexibles viennent avec l'appareil. Il est important que ces tuyaux soient reliés aux trous d'écoulement à l'arrière de l'appareil. Fixez un bout du long tuyau de 1,83 m (6 pi) au trou d'écoulement inférieur à l'arrière de l'appareil, sous le couvercle arrière. Amenez l'autre bout à l'égout du plancher ou pas plus haut que 91,4 cm (3 pi) au-dessus du plancher. S'il n'y a pas d'égout, alors une pompe à condensats ordinaire doit être achetée et installée. Fixez le tube de 7,6 cm (3 po) au trou d'écoulement supérieur.



Instructions d'installation

Une nouvelle valve combinée de surchauffe et de surpression, conforme à la Norme sur les valves de surpression et les valves d'arrêt pour systèmes de chauffe-eau, ANSI Z21.22, est fournie et doit rester installée dans l'ouverture marquée à cet effet sur le chauffe-eau. Aucun type de valve ne doit être installé entre la valve de surpression et le réservoir. Les normes locales régissent l'installation des valves de surpression.

VALVE DE SURPRESSION

AVERTISSEMENT : La capacité de pression de la valve de surpression ne doit pas dépasser 1,03 MPa (150 lb/po²), la pression maximum de fonctionnement du chauffe-eau comme indiqué sur la plaque signalétique.

La capacité en BTUH de la valve de surchauffe ne doit pas être inférieure que la capacité d'entrée du chauffe-eau comme indiqué sur la plaque signalétique située à l'avant du chauffe-eau (1 watt = 3,412 BTUH).

Raccordez la sortie de la valve de surpression à un égout convenable pour que l'eau rejetée n'entre pas en contact avec des pièces électrifiées ou des personnes et pour éviter les dégâts d'eau possibles.

La tuyauterie utilisée doit être d'un type approuvé pour la distribution d'eau chaude. La conduite de déversement ne doit pas être plus petite que la sortie de la valve et doit avoir une pente pour permettre le drainage (par gravité) de la valve de surpression et de la conduite de déversement. Le bout de la conduite de déversement ne doit pas être fileté ou caché et doit être protégé du gel. Aucun type de valve, de raccord de restriction ou de réduction restriction ne doit être installé sur la conduite de déversement.

ATTENTION :

Pour réduire le risque de surpression et de surchauffe dans ce chauffe-eau, installez l'équipement de protection contre la surpression et la surchauffe requis par les normes locales et pas moins qu'une valve combinée de surchauffe et de surpression certifiée par un laboratoire d'essai reconnu à l'échelle nationale et qui maintient l'inspection périodique de la production de l'équipement ou du matériel inscrit, conformément aux exigences de la Norme sur les valves de surpression et les valves d'arrêt pour systèmes de chauffe-eau, ANSI Z21.22. Cette valve doit avoir une capacité de pression maximale n'excédant pas la pression de fonctionnement du chauffe-eau. Installez la valve dans l'ouverture à cet effet sur le chauffe-eau et orientez-la ou fournissez une conduite de manière à ce que l'écoulement de la valve sort seulement à 15,24 cm (6 po) au-dessus, ou à toute distance sous le plancher, et n'entre en contact avec aucune pièce électrifiée. L'ouverture d'écoulement ne doit en aucun cas être bloquée ou réduite par sa taille.

REPLISSAGE DU CHAUFFE-EAU

AVERTISSEMENT : Le réservoir doit être plein d'eau avant d'allumer le chauffe-eau. La garantie du chauffe-eau ne couvre pas les dommages ou les défauts résultant d'un fonctionnement avec un réservoir vide ou partiellement rempli.

Assurez-vous que le robinet de vidange est complètement fermé. Ouvrez la valve d'arrêt de l'alimentation d'eau froide.

Ouvrez lentement tous les robinets d'eau chaude pour laisser l'air sortir du chauffe-eau et de la tuyauterie.

Un débit régulier des robinets d'eau chaude indique que le chauffe-eau est plein.

CONNEXIONS ÉLECTRIQUES

Un électricien qualifié doit fournir un circuit de dérivation avec des conducteurs en cuivre, un dispositif de protection de surintensité et des moyens de déconnexion adéquats.

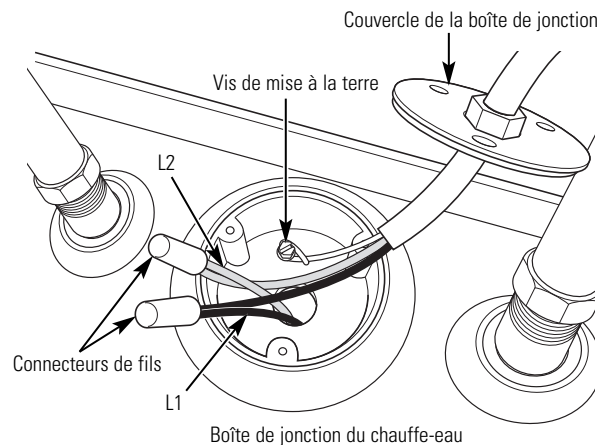
Tout le câblage doit être conforme aux normes locales ou à la dernière édition du Code national de l'électricité ANSI/NFPA 70.

Le chauffe-eau est entièrement câblé à la boîte de jonction sur le dessus du chauffe-eau. Une ouverture de raccord électrique de 12,7 mm ou de 19 mm (1/2 po ou 3/4 po) est prévue pour les connexions in-situ.

Les exigences de tension et de puissance pour le chauffe-eau sont indiquées sur la plaque signalétique à l'avant du chauffe-eau.

Le câblage du circuit de dérivation doit comprendre soit :

1. Un conduit métallique ou un câble sous gaine métallique approuvé pour servir de conducteur de masse et installé avec des raccords approuvés à cette fin.
2. Un câble sous gaine non métallique, un conduit métallique ou un câble sous gaine métallique non approuvé pour servir de conducteur de masse et comprenant un conducteur de masse séparé. Il doit être raccordé aux bornes de masse du chauffe-eau et de la boîte de distribution électrique.



AVERTISSEMENT : Une connexion à la masse adéquate est essentielle. La présence d'eau dans la tuyauterie et le chauffe-eau ne fournit pas assez de conductivité pour une mise à la terre. Les tuyaux non métalliques, les unions diélectriques, les connecteurs flexibles, etc. peuvent isoler électriquement le chauffe-eau.

Instructions d'installation

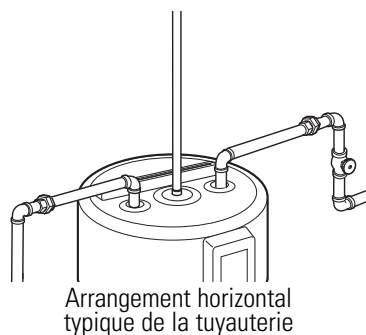
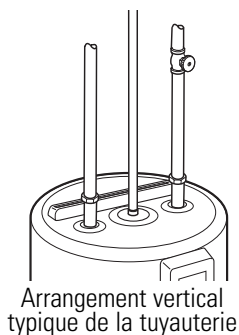
La garantie du fabricant ne couvre pas les dommages ou les défauts causés par l'installation, la pose ou l'utilisation de tout type de dispositif d'économie d'énergie ou autres dispositifs non approuvés (autres que ceux autorisés par le fabricant) dans, sur ou conjointement avec le chauffe-eau. L'utilisation de dispositifs d'économie d'énergie non autorisés peut raccourcir la vie du chauffe-eau et peut représenter un danger pour la vie ou la propriété.

Le fabricant se désiste de toute responsabilité pour de telles pertes ou blessures résultant de l'utilisation de tels dispositifs non autorisés.

Si les normes locales exigent l'application externe de kits de couverture isolante, les instructions du fabricant venant avec le kit doivent être suivies minutieusement.

L'application de tout isolant externe, de toute couverture isolante ou isolation de tuyau sur ce chauffe-eau exige une stricte attention aux mesures suivantes :

- Ne pas couvrir la valve de surpression et de surchauffe.
- Ne pas couvrir les panneaux d'accès aux éléments chauffants.
- Ne pas couvrir la boîte de jonction électrique du chauffe-eau.
- Ne pas couvrir les étiquettes de fonctionnement ou d'avertissement fixées au chauffe-eau ou tenter de les relocaliser sur l'extérieur de la couverture isolante.
- Ne pas bloquer l'entrée et les sorties d'air en-dessous et au-dessus des couvercles supérieurs.



REMARQUE : Ce guide recommande le calibre minimum prévu par le Code national de l'électricité pour le circuit de dérivation. Consultez les schémas de câblage de ce manuel pour le câblage in-situ.

GUIDE DE CALIBRE DU CIRCUIT DE DÉRIVATION

Puissance totale du chauffe-eau	Protection de surintensité recommandée (capacité en ampères du fusible ou du disjoncteur)			
	208 V	240 V	277 V	480 V
3.000 W	20	20	15	15
4.000 W	25	25	20	15
4.500 W	30	25	25	15
5.000 W	30	30	25	15
5.500 W	35	30	25	15
6.000 W	40	35	30	20
8.000 W	50	45	40	25
9.000 W	-	50	45	25
10.000 W	-	-	50	30
11.000 W	-	-	50	30
12.000 W	-	-	-	35

Puissance totale du chauffe-eau	Calibre du câblage AWG basé sur la table 310-16 du Code national de l'électricité (75 °C)			
	208 V	240 V	277 V	480 V
3.000 W	12	12	14	14
4.000 W	10	10	12	14
4.500 W	10	10	10	14
5.000 W	10	10	10	14
5.500 W	8	10	10	14
6.000 W	8	8	10	12
8.000 W	8	8	8	10
9.000 W	-	8	8	10
10.000 W	-	-	8	10
11.000 W	-	-	8	10
12.000 W	-	-	-	8

Instructions d'installation

LISTE DE CONTRÔLE DE L'INSTALLATION

- 1. **L'emplacement du chauffe-eau :**
 - **La pièce mesure-t-elle** au moins 3,05 m x 3,05 m x 2,2 m (10 pi x 10 pi x 7 pi), 18,8 m³ (700 pi³)? Si oui, une porte persienne ou une ventilation similaire est requise.
 - L'arrière de l'appareil est à 17,78 cm (7 po) du mur.
 - **L'avant** de l'appareil est libre et dégagé.
 - Le chauffe-eau est-il de **niveau**? Sinon, ajouter des cales d'épaisseur sous la base de l'appareil.
- 2. **Les raccordements de plomberie :**
 - N'empêchent pas l'enlèvement du **filtre**.
 - Il n'y a pas de fuites après le **remplissage** du réservoir, que l'eau coule ou non.
- 3. **Les conduites d'écoulement de la condensation sont en place :**
 - 1) Le tube court est sur la busette de drainage supérieure.
 - 2) Le tube long est sur la busette de drainage inférieure et dirigée vers un égout de plancher ou une pompe à condensats.
- 4. **La valve de surchauffe et de surpression** fonctionne et le tuyau d'écoulement est fixé conformément aux normes locales.
- 5. Les connexions **électriques** n'empêchent pas l'enlèvement du filtre à air.
- 6. Vérifier que le **panneau de commande** affiche 120 °F en mode Hybride.
- 7. Le **couvercle** avant est en place.



Conseils de dépannage

Économisez du temps et de l'argent! Consultez d'abord le tableau ci-dessous et il se peut que vous n'ayez pas à téléphoner au service de réparation.

Problème	Causes possibles	Quoi faire
Le chauffe-eau est bruyant	Des ventilateurs sont utilisés pour déplacer l'air à travers le système. L'intensité du bruit de ventilateur varie à mesure que l'eau est chauffée.	<ul style="list-style-type: none"> Un certain niveau de bruit de ventilateur est normal (comme pour la soufflerie d'un système de chauffage et climatisation central). Si vous entendez un bruit de cognement ou si le niveau de bruit semble trop élevé, appelez alors le service de réparation. Si le niveau de bruit a augmenté au cours des dernières semaines ou des derniers mois, le filtre peut être sale, ce qui fait marcher le ventilateur plus fort. Vérifiez si le filtre a besoin d'être nettoyé (voir les instructions en page 35).
Le chauffe-eau rend la pièce trop froide	La pièce n'est pas ventilée adéquatement ou elle est trop petite.	<ul style="list-style-type: none"> Si la pièce mesure moins de 3,05 m x 3,05 m x 2,2 m (10 pi x 10 pi x 7 pi), elle doit avoir une porte persienne ou un autre moyen pour permettre l'échange d'air avec les pièces avoisinantes.
L'eau dégoutte de l'extérieur du chauffe-eau	Les tuyaux d'écoulement de la condensation ne sont pas raccordés.	<ul style="list-style-type: none"> Deux tuyaux d'écoulement sont compris avec le chauffe-eau. Raccordez le tuyau long de 1,83 m (6 pi) à l'orifice d'écoulement inférieur. Raccordez le tuyau court de 7,62 cm (3 po) à l'orifice d'écoulement supérieur.
	Les tuyaux d'écoulement de la condensation sont pincés ou bouchés.	<ul style="list-style-type: none"> Enlevez chaque tuyau d'écoulement et ôtez-en tout débris. Vous pouvez utiliser une petite broche comme un cintre ou un petit tournevis pour enlever tout débris des orifices d'écoulement de l'appareil.
	Les tuyaux d'eau chaude ou d'eau froide ne sont pas serrés.	<ul style="list-style-type: none"> Serrez les raccords des tuyaux d'entrée et de sortie d'eau.
Pas assez ou pas d'eau chaude	La quantité d'eau utilisée peut excéder la capacité du chauffe-eau.	<ul style="list-style-type: none"> Attendez que le chauffe-eau récupère après cette demande inhabituelle.
	Un fusible est grillé ou le disjoncteur est déclenché.	<ul style="list-style-type: none"> Remplacez le fusible ou réinitialisez le disjoncteur.
	L'alimentation électrique peut avoir été coupée.	<ul style="list-style-type: none"> Vérifiez que l'alimentation électrique et l'interrupteur principal du chauffe-eau sont en marche.
	Le réglage de température peut être trop bas.	<ul style="list-style-type: none"> Consultez la section <i>Réglage de la température de l'eau</i>.
	Robinets d'eau chaude qui fuient ou qui sont ouverts.	<ul style="list-style-type: none"> Vérifiez que tous les robinets sont fermés.
	Votre maison subit une panne de courant.	<ul style="list-style-type: none"> Communiquez avec votre fournisseur d'électricité.
	Câblage incorrect.	<ul style="list-style-type: none"> Consultez la section <i>Instructions d'installation</i>.
	Limite de réinitialisation manuelle (CT).	<ul style="list-style-type: none"> Consultez la section <i>Réglage de la température de l'eau</i>.
Eau trop chaude	La température de l'entrée d'eau froide peut être plus froide en hiver.	<ul style="list-style-type: none"> C'est normal. L'eau d'entrée plus froide prend plus de temps à chauffer.
	La température est réglée trop haut.	<ul style="list-style-type: none"> Consultez la section <i>Réglage de la température de l'eau</i>.
Grondements	ATTENTION : Pour votre sécurité, ne tentez PAS de réparer le câblage électrique, les commandes, les éléments de chauffage ou d'autres dispositifs de sécurité. Confiez la réparation à un technicien qualifié.	
	La commande électronique est défectueuse.	<ul style="list-style-type: none"> Téléphonez au service de réparation.
	La condition de l'eau dans votre maison a causé une accumulation de tartre ou de dépôts minéraux sur les éléments chauffants.	<ul style="list-style-type: none"> Enlevez et nettoyez les éléments chauffants.

Information sur la sécurité

Instructions de fonctionnement

Entretien et nettoyage

Instructions d'installation

Conseils de dépannage

Soutien au consommateur

Avant de téléphoner au service de réparation...

Problème	Causes possibles	Quoi faire
<i>La valve de surpression fait un bruit de pétarde</i>	Montée de la pression causée par la dilatation thermique d'un système en circuit-fermé.	<ul style="list-style-type: none"> Il s'agit d'une condition inacceptable qui doit être corrigée. Communiquez avec votre fournisseur d'eau ou votre entrepreneur en plomberie pour savoir comment la corriger. Ne bouchez pas la sortie de la valve de surpression.
<i>L'écran fait bip et affiche « Attention, le réservoir n'est pas plein! »</i>	Le chauffe-eau n'a pas été rempli d'eau avant de l'activer. L'activation du chauffe-eau sans eau endommage les éléments chauffants. La garantie du chauffe-eau ne couvre pas les dommages et les pannes causés par un fonctionnement avec un réservoir vide.	<ul style="list-style-type: none"> Remplissez complètement le réservoir d'eau. Appuyez sur ENTER (entrer) pour arrêter l'alarme puis appuyez sur POWER (courant) lorsque le réservoir a été rempli.
<i>Le voyant du filtre est allumé</i>	Le filtre a besoin d'être nettoyé. Pour un fonctionnement efficace, le filtre doit être propre.	<ul style="list-style-type: none"> Suivez les instructions d'enlèvement et de nettoyage du filtre à la page 35.
<i>L'écran fait bip et affiche « Panne de la thermopompe »</i>	Il y a un problème avec le système de thermopompe.	<ul style="list-style-type: none"> L'appareil va automatiquement passer à un autre mode disponible pour que vous ayez toujours de l'eau chaude. Téléphoner au service de réparation et donnez-leur les codes affichés à l'écran.
<i>L'écran fait bip et affiche « Panne du chauffe-eau »</i>	Il y a un problème avec le système de chauffage de l'eau.	<ul style="list-style-type: none"> L'appareil va automatiquement passer à un autre mode disponible pour que vous ayez toujours de l'eau chaude. Téléphoner au service de réparation et donnez-leur les codes affichés à l'écran.
<i>L'écran fait bip et affiche « Panne du système »</i>	Il y a un problème avec le chauffe-eau qui requiert votre attention immédiate.	<ul style="list-style-type: none"> Le chauffe-eau a besoin de s'éteindre. Téléphoner immédiatement au service de réparation.
<i>L'appareil ne fait aucun bruit</i>	Si l'appareil utilise les éléments de chauffage, il fait du bruit.	<ul style="list-style-type: none"> Vérifiez le mode de fonctionnement du chauffe-eau.

Information sur la sécurité

Instructions de fonctionnement

Entretien et nettoyage

Instructions d'installation

Conseils de dépannage

Soutien au consommateur



Toutes les réparations sur garantie sont fournies par notre Réseau de service autorisé. Pour planifier une visite de service, appelez le 888.4GE.HEWH (888.443.4394). Veuillez avoir le numéro de série et le numéro de modèle sous la main lorsque vous appelez le service de réparation.

Agrafez le reçu d'achat ici. Pour obtenir le service sous garantie, vous devrez fournir la preuve de l'achat original.

Pour la période de :	Nous remplacerons :
Un an À partir de la date d'achat initiale	Toute pièce du chauffe-eau hybride qui tombe en panne à cause d'un défaut de matériel ou de main d'œuvre. Durant cette garantie limitée d'un an , GE fournira également, sans frais , toute main d'œuvre et service pour remplacer la pièce défectueuse.
La deuxième à la dixième année À partir de la date d'achat initiale	Toute pièce du chauffe-eau hybride qui tombe en panne à cause d'un défaut de matériel ou de main d'œuvre. Durant cette garantie limitée de dix ans , la main d'œuvre et les visites pour remplacer la pièce défectueuse n'est pas comprise.

Ce qui n'est pas compris :

- Les visites de service à votre domicile pour vous montrer comment utiliser le produit.
- Si le produit a été déménagé de son emplacement d'installation initial.
- Installation, livraison ou entretien incorrects.
- Les dommages, le mauvais fonctionnement ou une panne causés par l'utilisation de pièces ou de composants non approuvés.
- Défectuosité du produit s'il a été malmené, mal utilisé, modifié, utilisé commercialement ou utilisé à des fins autres que celles pour lesquelles il a été conçu.
- Les dommages, le mauvais fonctionnement ou une panne causés par le fonctionnement du chauffe-eau à thermopompe après avoir enlevé la tige d'anode.
- L'utilisation de ce produit dans des endroits où l'eau est dangereuse sur le plan microbiologique ou de qualité inconnue sans désinfection adéquate avant ou après le système.
- Les dommages, le mauvais fonctionnement ou une panne causés par le fonctionnement de la thermopompe avec un réservoir vide ou partiellement rempli.
- Le remplacement à domicile de fusibles ou la réinitialisation de disjoncteurs.
- Les dommages, le mauvais fonctionnement ou une panne causés en soumettant le réservoir à une pression supérieure à celles indiquées sur l'étiquette signalétique.
- Les dommages au produit causés par un accident, la foudre, un incendie, une inondation ou les cas fortuits.
- Les dommages indirects ou consécutifs causés par une défectuosité de l'appareil, son installation ou réparation.
- Les dommages, le mauvais fonctionnement ou une panne causés par le fonctionnement du chauffe-eau à thermopompe à une tension électrique excédant celles indiquées sur l'étiquette signalétique.
- Le produit n'est pas accessible pour effectuer une réparation.
- Une panne du chauffe-eau causée par le fonctionnement du chauffe-eau dans une atmosphère agressive.

EXCLUSION DE GARANTIES IMPLICITES – Votre seul et unique recours est la réparation du produit selon les dispositions de cette Garantie limitée. Toutes les garanties implicites, incluant les garanties de commercialité et d'adéquation à un usage spécifique, sont limitées à une année ou à la période la plus courte autorisée par la législation.

Cette garantie s'étend à l'acheteur initial et à tout propriétaire ultérieur pour les appareils achetés pour un usage au Canada ou aux États-Unis. Si le produit est installé dans une région où ne se trouve aucun réparateur autorisé GE, vous devrez peut-être assumer les frais de transport ou apporter expédier le produit à un centre de service autorisé GE. En Alaska, cette garantie exclut le coût d'expédition ou les appels de service à votre site.

Certains États ou provinces n'autorisent pas l'exclusion ou la restriction des dommages directs ou indirects. La présente garantie vous donne des droits juridiques particuliers, mais vous pouvez avoir d'autres droits qui varient d'un État ou d'une province à l'autre. Pour connaître vos droits, appelez le bureau de la protection du consommateur de votre localité, de votre État ou de votre province ou le procureur général de votre État.

Garant : General Electric Company, Louisville, KY 40225

Soutien au consommateur.



Site Web appareils électroménagers GE www.electromenagersge.ca

Vous avez une question ou vous avez besoin d'aide pour votre appareil électroménager? Contactez-nous par Internet au site www.electromenagersge.ca 24 heures par jour, tous les jours de l'année.



Service de réparations

1.800.561.3344

Service de réparations GE est tout près de vous.
Pour faire réparer votre électroménager GE, il suffit de nous téléphoner.



Studio de conception réaliste

Sur demande, GE peut fournir une brochure sur l'aménagement d'une cuisine pour les personnes à mobilité réduite.
Écrivez: Directeur, Relations avec les consommateurs, Mabe Canada Inc.
Bureau 310, 1 Factory Lane
Moncton, N.B. E1C 9M3

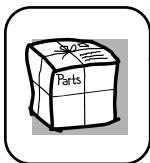


Prolongation de garantie

www.electromenagersge.ca

Achetez un contrat d'entretien GE avant que votre garantie n'expire et bénéficiez d'un rabais substantiel.
Ainsi le service après-vente GE sera toujours là après expiration de la garantie.

Visitez notre site Web ou appelez-nous au **1.888.261.2133**.

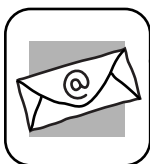


Pièces et accessoires

Ceux qui désirent réparer eux-mêmes leurs électroménagers peuvent recevoir pièces et accessoires directement à la maison (cartes VISA, MasterCard et Discover acceptées).

Les directives stipulées dans le présent manuel peuvent être effectuées par n'importe quel utilisateur. Les autres réparations doivent généralement être effectuées par un technicien qualifié. Soyez prudent, car une réparation inadéquate peut affecter le fonctionnement sécuritaire de l'appareil.

Vous trouverez dans les pages jaunes de votre annuaire le numéro du Centre de service Mabe le plus proche. Autrement, appelez-nous au 1.800.661.1616.



Contactez-nous

Si vous n'êtes pas satisfait du service après-vente dont vous avez bénéficié :

Premièrement, communiquez avec les gens qui ont réparé votre appareil.

Ensuite, si vous n'êtes toujours pas satisfait envoyez tous les détails—numéro de téléphone compris—au
Directeur, Relations avec les consommateurs, Mabe Canada Inc.
Bureau 310, 1 Factory Lane
Moncton, N.B. E1C 9M3



Inscrivez votre appareil électroménager www.electromenagersge.ca

Inscrivez votre appareil électroménager en direct, aussitôt que possible. Cela améliorera nos communications et notre service après-vente. Vous pouvez également nous envoyer par la poste le formulaire d'inscription joint à votre documentation.

Información de seguridad46, 47

Instrucciones de operación48-55

Cuidado y limpieza56, 57

Instrucciones de instalación58-62

Solución de problemas63, 64

Apoyo al cliente66, 67

Escriba los números de modelo y de serie aquí:

Modelo # _____

Serie # _____

Usted puede encontrarlos en la etiqueta de clasificación ubicada en el lado frontal de su calentador de agua.

Información de seguridad	Instrucciones de operación	Cuidado y limpieza	Instrucciones de instalación	Solución de problemas	Apoyo al cliente
---------------------------------	-----------------------------------	---------------------------	-------------------------------------	------------------------------	-------------------------

INFORMACIÓN IMPORTANTE DE SEGURIDAD. LEA TODAS LAS INSTRUCCIONES ANTES DE SU USO.

Información de seguridad

Instrucciones de operación

Cuidado y limpieza

Instrucciones de instalación

Solución de problemas

Apoyo al cliente

⚠ ¡ADVERTENCIA!

Para su seguridad, la información de este manual debe seguirse al pie de la letra a fin de minimizar el riesgo de incendio o explosión, descarga eléctrica, o para prevenir daños, lesiones personales o la muerte.

Asegúrese de leer y comprender el Manual del Propietario en su totalidad antes de instalar u operar este calentador de agua. Puede ahorrarle tiempo y dinero. Preste especial atención a las Instrucciones de Seguridad. No seguir estas advertencias puede provocar una lesión grave o la muerte. Si usted no comprende las instrucciones de este manual, o si tiene dudas, DETÉNGASE y solicite ayuda a un técnico calificado o a la compañía local de servicios públicos.

AJUSTE DE LA TEMPERATURA DEL AGUA

Deben considerarse factores como la seguridad y la conservación de energía al seleccionar la configuración de temperatura del agua mediante la interfaz de usuario del calentador de agua. Las temperaturas de agua superiores a 125°F pueden provocar quemaduras graves o la muerte por quemaduras. Asegúrese de leer y cumplir con las advertencias incluidas en ilustración ubicada a continuación. Esta etiqueta también se encuentra en el calentador de agua cerca de la parte superior del tanque.



Las temperaturas de agua superiores a 125°F pueden provocar quemaduras graves en forma instantánea o la muerte por quemaduras.

La configuración del control electrónico de temperatura normalmente aproxima la temperatura del agua de grifo. Sin embargo, ciertos factores pueden hacer que la temperatura alcance los 160°F a pesar de la configuración del control. Siempre pruebe el agua antes de bañarse o ducharse.

Los niños, los discapacitados y las personas mayores corren un riesgo mayor de sufrir una quemadura.

Consulte el manual de instrucciones antes de configurar la temperatura del calentador de agua.

Pruebe el agua antes de bañarse o ducharse.

Se encuentran disponibles válvulas limitadoras de temperatura; consulte el manual.

Se encuentran disponibles válvulas mezcladoras para reducir la temperatura del agua en el lugar de uso, las cuales mezclan el agua caliente con fría en las líneas de agua derivadas.

Para más información, comuníquese con un plomero con licencia o con la autoridad de plomería local.

Relación de tiempo/temperatura en quemaduras

Temperatura	Tiempo para producir una quemadura grave
120°F	Más de 5 minutos
125°F	1-1/2 a 2 minutos
130°F	Alrededor de 30 segundos
135°F	Alrededor de 10 segundos
140°F	Menos de 5 segundos
145°F	Menos de 3 segundos
150°F	Alrededor de 1-1/2 segundos
155°F	Alrededor de 1 segundo

La tabla es cortesía de Shriners Burn Institute

La tabla de arriba puede utilizarse como una guía para determinar la temperatura de agua adecuada para su hogar.

NOTA: En los hogares en los que viven niños pequeños, discapacitados o ancianos puede requerirse una configuración de termostato de 120°F o menos para evitar el contacto con el agua "CALIENTE".

⚠ PELIGRO: Existe un peligro de QUEMADURAS con agua caliente si el control está configurado a una temperatura muy elevada.

⚠ ¡ADVERTENCIA!

La gasolina, además de otros materiales y líquidos inflamables (adhesivos, solventes, disolventes de pintura, etc.) y los vapores que producen, son extremadamente peligrosos. NO manipule, utilice o almacene gasolina u otros materiales inflamables o combustibles cerca o en las proximidades de un calentador de agua. El arco ubicado dentro de los controles del calentador de agua puede encender estos vapores. No hacerlo puede provocar daños a la propiedad, una lesión personal o la muerte.

⚠ PARA INSTALACIONES EN EL ESTADO DE CALIFORNIA

Las leyes de California exigen que los calentadores de agua residenciales se sujeten, amarren o fijen para evitar las caídas o desplazamientos horizontales debido a los terremotos. Para calentadores de agua residenciales de una capacidad de hasta 52 galones, puede obtenerse un folleto con instrucciones genéricas sobre fijación en zonas de terremotos en: Oficina del Arquitecto del Estado, 400 P Street, Sacramento, CA 95814 o usted puede llamar al 916.324.5315 o consultar al vendedor del calentador de agua.

Sin embargo, la instalación deberá regularse mediante los códigos locales vigentes. Para calentadores de agua residenciales de una capacidad mayor a los 52 galones, consulte la jurisdicción de construcción local para procedimientos de sujeción aceptables.

Advertencia de la Proposición 65 de California: Este producto contiene productos químicos que según el Estado de California provocan cáncer, defectos congénitos u otros daños reproductivos.



LEA Y SIGA ESTA INFORMACIÓN DE SEGURIDAD CUIDADOSAMENTE.

GUARDE ESTAS INSTRUCCIONES

Información de seguridad

Instrucciones de operación

Cuidado y limpieza

Instrucciones de instalación

Solución de problemas

Apoyo al cliente

Cómo operar el calentador de agua.

⚠ ADVERTENCIA: Puede producirse gas de hidrógeno en un sistema de agua caliente abastecido por este calentador de agua que no se ha utilizado durante un período prolongado (generalmente dos semanas o más). **¡EL GAS DE HIDRÓGENO ES EXTREMADAMENTE INFLAMABLE!** Para disipar el gas y para reducir el riesgo de lesiones, se recomienda abrir el grifo de agua caliente durante varios minutos en el fregadero de la cocina antes de utilizar cualquier artefacto eléctrico conectado al sistema de agua caliente. Si existe la presencia de hidrógeno, podrá oírse un sonido inusual, como aire saliendo de una tubería, a medida que el agua comienza a fluir. No fume o utilice una llama abierta cerca del grifo durante el tiempo en que se encuentre abierto.

Precauciones de seguridad

- A. Apague** el suministro de energía hacia el calentador de agua si ha sufrido sobrecalentamiento, incendio, inundación o daños físicos.
 - B. No** accione el calentador de agua a menos que esté lleno de agua.
 - C. No** encienda el calentador de agua si la válvula de apagado del suministro de agua fría se encuentra cerrada.
 - D. No** almacene o use gasolina u otros vapores o líquidos inflamables, como adhesivos o solventes, cerca de este o cualquier otro aparato. Si deben utilizarse estos productos inflamables, abra las puertas y ventanas para ventilar.
- NOTA:** Las corrientes de aire pueden trasladar los vapores inflamables de las áreas cercanas hacia el calentador de agua.
- E.** Si existe alguna dificultad para comprender o seguir las Instrucciones de Operación o la sección de Cuidado y Limpieza, se recomienda que una persona calificada o un técnico realice el trabajo.

⚠ ADVERTENCIA:

Si el calentador de agua ha sufrido inundaciones, incendio o daños físicos, corte el suministro de energía y de agua hacia el calentador de agua.

No vuelva a usar el calentador de agua hasta que un técnico calificado lo haya revisado por completo.

Controles de seguridad

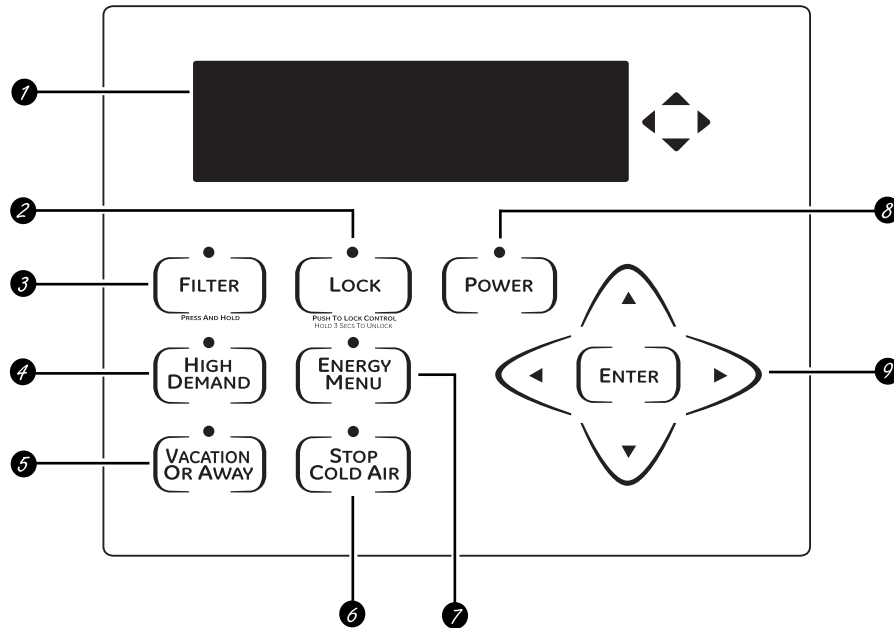
El calentador de agua está equipado con dos controles limitadores de temperatura (TCOs) que se encuentran sobre el elemento calentador en contacto con la superficie del tanque. Si por alguna razón la temperatura del agua se eleva demasiado, el control limitador de temperatura (TCO) interrumpe el circuito de energía hacia el elemento calentador. Una vez que el control se abre, éste debe reconfigurarse en forma manual. La reconfiguración de los controles limitadores de temperatura debe realizarla un técnico calificado.

⚠ PRECAUCIÓN:

Un técnico calificado debe investigar la causa de la suba de temperatura y debe tomarse una acción correctiva antes de volver a poner en servicio el calentador de agua.

Para reconfigurar el control limitador de temperatura:

1. Cierre el suministro de energía dirigido al calentador de agua.
2. Quite el panel de acceso y aislación del revestimiento.
La cubierta protectora del termostato no debe quitarse.
3. Presione el botón rojo RESET (reconfiguración).
4. Vuelva a colocar la aislación y el panel de acceso del revestimiento antes de accionar la energía hacia el calentador de agua.



Controles

- 1 Pantalla**
- 2 Lock (bloqueo)**
Presione y sostenga este botón durante 3 segundos para bloquear o desbloquear los controles de botones de toque del calentador de agua. La luz verde se ilumina cuando los controles están bloqueados.
- 3 Filter (filtro)**
Cuando la luz roja se ilumina, se indica que el filtro está sucio y requiere limpieza. El filtro se ubica en la parte superior del calentador de agua. Presione el botón para reconfigurar la alarma del filtro.
- 4 High Demand (gran demanda)**
Utilice este botón cuando se necesite agua caliente extra. Esta característica aumenta la velocidad en que se calienta el agua utilizando más electricidad. La luz verde se ilumina cuando la característica se encuentra activada.
- 5 Vacation Or Away (vacaciones o tiempo fuera de casa)**
Utilice este botón en los períodos en que no vaya a usar agua, tales como vacaciones por un período prolongado de tiempo. Esta característica reduce la energía utilizada durante la ausencia. La luz verde se ilumina cuando la característica se encuentra activada.
- 6 Stop Cold Air (detener aire frío)**
Utilice este botón para detener temporalmente la salida de aire frío de la unidad o para detener el ruido del ventilador. Sin embargo, la unidad utiliza más electricidad, por lo que este modo debería usarse sólo para períodos cortos. La luz verde se ilumina cuando la característica se encuentra activada.
- 7 Energy Menu (menú de energía)**
Cambie los Modos de Operación del calentador de agua presionando este botón. Usted también puede cambiar la visualización de temperatura de °F a °C y ver las preguntas frecuentes.
- 8 Power (energía)**
Utilice este botón para activar o desactivar todas las fuentes de calentamiento del producto.
NOTA: La interfaz de usuario funciona aún cuando el botón de energía está apagado (OFF).
- 9 Botones de flecha**
Utilice las flechas ascendente, descendente, izquierda y derecha para desplazarse entre menús o para cambiar la temperatura del agua.

Cómo activar el calentador de agua.

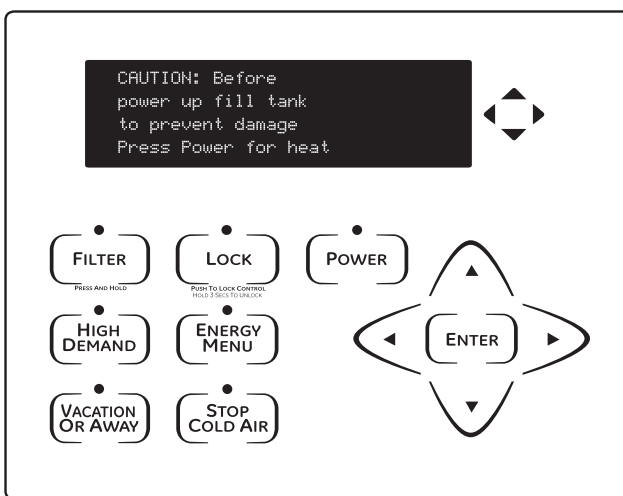
La primera vez que presione el botón de energía y el calentador de agua se encienda, la pantalla solicitará la confirmación de que el tanque se encuentre lleno de agua. Para evitar daños, el tanque debe llenarse de agua antes de encenderlo.

La garantía del calentador de agua no cubre daños o fallas originadas por el funcionamiento con un tanque vacío o parcialmente vacío. (Consulte el Certificado de Garantía Limitada para los términos y condiciones completos.)

Si NO se ha llenado el tanque, ventile y llene el tanque antes de presionar de nuevo el botón **POWER (energía)**.

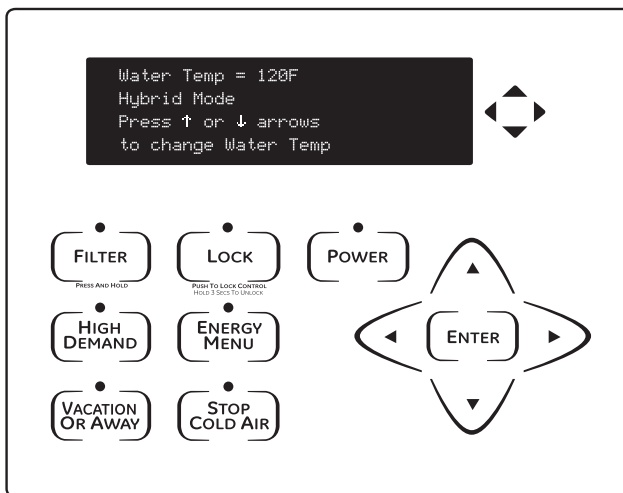
- Verifique que la válvula de drenaje esté completamente cerrada.
- Abra la válvula de apagado de la línea de suministro de agua fría.
- Abra cada grifo de agua caliente lentamente para que salga el aire del calentador de agua y de la tubería.
- Un flujo constante de agua desde los grifos de agua caliente indica que el calentador de agua está lleno.

Después de que el tanque se haya llenado de agua, vuelva a presionar el botón **POWER (energía)**.



Cuando se enciende el calentador de agua, podrá visualizarse la pantalla principal. La pantalla mostrará la configuración actual de temperatura del agua y el modo de operación actual del calentador de agua.

Para cumplir con las regulaciones de seguridad, los controles vienen con una preconfiguración de fábrica de 120°F y Modo Híbrido. Estas son las configuraciones recomendadas para el calentador de agua.



Si la pantalla queda en blanco, presione cualquier tecla para reactivarla. Para volver a la pantalla predeterminada (**HOME**), presione el botón de flecha izquierda hasta que aparezca la misma.

La temperatura del agua del calentador puede regularse subiendo o bajando la configuración de temperatura con las teclas de flecha ascendente o descendente del panel de control.

Deben considerarse factores como la seguridad y la conservación de energía al seleccionar la configuración de temperatura del calentador de agua. Cuanto menor sea la configuración de temperatura, mayores serán los ahorros en energía y costos operativos.

A fin de cumplir con las regulaciones de seguridad, la temperatura del agua viene predeterminada de fábrica en 120°F donde lo exigen los códigos locales. Este es el punto de inicio recomendado.

Las temperaturas de agua superiores a 125°F pueden provocar quemaduras graves o la muerte por quemaduras. Asegúrese de leer y cumplir con las advertencias detalladas en este manual y en la etiqueta del calentador de agua. Esta etiqueta se encuentra sobre el calentador de agua cerca del panel de acceso del elemento superior.

Se encuentran disponibles válvulas mezcladoras para reducir la temperatura del agua en el lugar de uso, las cuales mezclan el agua caliente con fría en las líneas de agua derivadas. Para más información, comuníquese con un plomero con licencia o con la autoridad de plomería local.

La tabla siguiente puede utilizarse como una guía para determinar la temperatura de agua adecuada para su hogar.

⚠ PELIGRO: Existe un peligro potencial de quemaduras con agua caliente si el control está configurado en una temperatura muy elevada. En los hogares en los que viven niños pequeños, discapacitados o ancianos puede requerirse una configuración de termostato de 120°F o menos para evitar el contacto con el agua CALIENTE.

Relación de tiempo/temperatura en quemaduras

Temperatura	Tiempo para producir una quemadura grave
120°F	Más de 5 minutos
125°F	1-1/2 a 2 minutos
130°F	Alrededor de 30 segundos
135°F	Alrededor de 10 segundos
140°F	Menos de 5 segundos
145°F	Menos de 3 segundos
150°F	Alrededor de 1-1/2 segundos
155°F	Alrededor de 1 segundo

La tabla es cortesía de Shriners Burn Institute

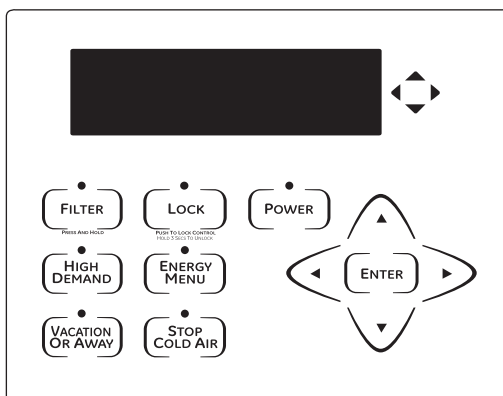
Cómo ajustar la temperatura

Presione la flecha **ASCENDENTE** o **DESCENDENTE** del botón de toque del panel de control. Le solicitarán que presione la tecla **ENTER (ingresar)** para recordarle que aumentar la temperatura incrementa el riesgo de quemaduras. Luego la temperatura puede aumentarse o disminuirse presionando las flechas **ASCENDENTE** o **DESCENDENTE**. Después de ingresar la configuración de temperatura deseada, usted puede presionar **ENTER (ingresar)** para aceptar

o simplemente seguir con sus actividades. (Después de 3 segundos sin presionar la tecla, el control aceptará la nueva configuración de temperatura.)

⚠ PELIGRO: Existe un peligro potencial de QUEMADURAS con agua caliente si el control está configurado en una temperatura muy elevada.

120°F es la configuración recomendada de temperatura, pero puede ajustarse a cualquier temperatura entre 100°F y 140°F.



Información de seguridad
Instrucciones de operación
Cuidado y limpieza
Instrucciones de instalación
Solución de problemas
Apoyo al cliente

Cómo ajustar la temperatura del agua y el modo de funciones.

Este calentador de agua tiene predeterminado el modo de operación Híbrido. El modo Híbrido es la configuración recomendada para este calentador de agua, pero puede cambiarse si así lo desea. Los modos disponibles se listan a continuación y pueden encontrarse debajo del botón ENERGY MENU.

Modo eHeat™

eHeat™ es el modo más eficiente en relación a la energía para este calentador de agua. Toma el calor del aire que lo rodea para calentar el agua. El tiempo que le lleva calentar el agua es más prolongado en este modo, por lo que NO puede ser suficiente en una situación de gran demanda, como en una vivienda grande o en una compañía.

Modo Eléctrico Estándar

Este modo utiliza sólo los elementos de resistencia superior e inferior para calentar el agua. El tiempo que tarda en calentar resulta menor en este modo, pero es el modo MENOS eficiente en relación a la energía.

Modo Híbrido—MODO RECOMENDADO

El modo híbrido combina la eficiencia en relación a la energía de eHeat™ con la velocidad de recuperación y energía del Modo Eléctrico Estándar, con un uso normal de agua.

Gran Demanda

Este modo es necesario sólo si su vivienda realiza un gasto de agua mayor al promedio o la unidad es muy pequeña para el consumo de agua de su vivienda. En este modo la unidad utiliza los elementos calentadores eléctricos sólo cuando la demanda de agua es mayor a lo normal. Cuando se usan los elementos calentadores, la temperatura del agua se recuperará a una velocidad mayor pero hará falta más energía para calentarla. A diferencia del Modo Eléctrico Estándar, utilizará los elementos calentadores sólo cuando sea necesario.

Para acceder a cualquiera de estos modos:

- 1 Presione el botón **ENERGY MENU (menú de energía)** y luego presione **ENTER (ingresar)**.
- 2 Seleccione "Operating Modes" (modos de operación) del menú y presione **ENTER (ingresar)**.
- 3 Seleccione el modo de operación deseado utilizando los botones de flecha **ASCENDENTE** y **DESCENDENTE** y luego vuelva a presionar **ENTER (ingresar)**.

Para cancelar y volver al menú de energía principal:

Presione el botón de flecha **IZQUIERDO**.

Desplazamiento general en el menú de energía:

- 1 Para más información sobre cada modo, mientras el modo se encuentra resaltado, presione el botón de flecha **DERECHO** para leer una descripción.
- 2 Utilice los botones de flecha **ASCENDENTE** y **DESCENDENTE** para desplazarse a través de las pantallas de descripciones.
- 3 Utilice el botón de flecha **IZQUIERDO** para volver al menú de "Operating Modes" (modos de operación).

Vacation or Away (Vacaciones o tiempo fuera de casa)

Esta característica se utiliza cuando usted pasará un tiempo prolongado fuera de su hogar y no se necesita agua caliente. En este modo, la unidad disminuirá la temperatura del agua hasta 50°F y utilizará el modo de calentamiento más eficiente para conservar la energía mientras el calentador no está siendo usado. La unidad reanudará el calentamiento en forma automática un día antes de su regreso, para que haya agua caliente disponible.

Por ejemplo, si usted saldrá por 14 días, presione el botón **VACATION OR AWAY (vacaciones o tiempo fuera de casa)**, presione el botón de flecha **ASCENDENTE** hasta que en la pantalla aparezca "14 days" (14 días) (el tiempo predeterminado es 7 días) y presione **ENTER (ingresar)**. La unidad disminuirá la temperatura del agua a 50°F durante 13 días. Al final del día 13, volverá automáticamente al modo de operación previo y calentará el agua con la configuración de temperatura original.

La luz verde se ilumina cuando esta característica se encuentra activada.

Stop Cold Air (Detener aire frío)

Los modos Híbrido y eHeat™ ahorran energía tomando el calor del aire para calentar el agua. El aire tibio es llevado a través del sistema mediante ventiladores y luego se enfría. El aire frío luego sale por la parte trasera del calentador.

Usted puede detener temporalmente el aire frío que sale de la unidad y el ruido del ventilador presionando el botón **STOP COLD AIR (detener aire frío)**.

Para ajustar la cantidad de días en que estará activada esta característica, simplemente utilice los botones de flecha **ASCENDENTE** y **DESCENDENTE** y presione **ENTER (ingresar)** (se encuentra predeterminado para 3 días). La unidad volverá al modo de operación previa en forma automática después de transcurridos la cantidad de días seleccionados.

Este modo sólo debe usarse en forma temporal porque usted NO obtiene el ahorro de energía mientras funcione este modo.

La luz verde se ilumina cuando esta característica se encuentra activada.

High Demand (Gran Demanda) (en algunos modelos)

Este modo es necesario sólo si su vivienda realiza un consumo de agua mayor al promedio o la unidad es muy pequeña para las demandas de agua de su vivienda.

En este modo la unidad utiliza los elementos calentadores eléctricos sólo cuando la demanda de agua es mayor a lo normal. Cuando se usan los elementos calentadores, la temperatura del agua se recuperará a una velocidad mayor pero hará falta más energía para calentarla.

A diferencia del Modo Eléctrico Estándar, utilizará los elementos calentadores sólo cuando sea necesario.

La luz verde se ilumina cuando esta característica se encuentra activada.

Control Lock (Bloqueo de control)

El botón de control puede bloquearse para evitar el accionamiento accidental.

Simplemente presione y sostenga el botón **LOCK (bloqueo)** durante tres segundos. En la pantalla podrá verse "controls are locked" (los controles están bloqueados) y la luz verde se iluminará cuando esta característica se encuentre activada. Cuando los controles se encuentran bloqueados, no se permitirá presionar ningún otro botón.

Para desactivar el bloqueo, presione y sostenga el botón **LOCK (bloqueo)** durante tres segundos. La luz verde se apagará y la pantalla volverá a la visualización predeterminada.

Información de seguridad

Instrucciones de operación

Cuidado y limpieza

Instrucciones de instalación

Solución de problemas

Apoyo al cliente

Cómo usar el menú de energía.

El Menú de Energía también se usa para cambiar los modos operativos del calentador de agua, para convertir la visualización de temperatura de °F a °C, o para ver las preguntas frecuentes. También hay un Menú Diagnóstico que resulta accesible sólo para un técnico o plomero calificado en caso de que se necesite una reparación.

Modos de Operación

Utilice esta opción para cambiar entre modos eHeat™, Híbrido, Eléctrico Estándar y Gran Demanda (descritos en la página 52).

- 1 Para acceder cualquiera de estos modos, presione el botón **ENERGY MENU (menú de energía)** y luego presione **ENTER (ingresar)**.
- 2 Seleccione "Operating Modes" (modos de operación) del menú y presione **ENTER (ingresar)**.
- 3 Seleccione el modo de operación deseado utilizando los botones de flecha **ASCENDENTE** o **DESCENDENTE** luego vuelva a presionar **ENTER (ingresar)**.
- 4 Para cancelar y volver al Menú de Energía principal, presione el botón de flecha **IZQUIERDO**.
- 5 Para obtener más información sobre cada modo, mientras el modo se encuentra resaltado, presione el botón de flecha **DERECHO** para leer una descripción.
- 6 Utilice los botones de flecha **ASCENDENTE** o **DESCENDENTE** para desplazarse a través de las pantallas de descripciones.
- 7 Utilice el botón de flecha **IZQUIERDO** para volver al menú de "Operating Modes" (modos de operación).

Conversión de °F y °C

La temperatura predeterminada del agua podrá visualizarse en °F. Para ver las temperaturas en °C, presione el botón **ENERGY MENU (menú de energía)**; luego presione **ENTER (ingresar)**. Estas configuraciones quedan registradas y volverán después de un corte de energía.

- 1 Presione el botón de flecha **DESCENDENTE** para desplazarse a "Choose °F and °C" (elegir °F y °C) y presione **ENTER (ingresar)**.
- 2 Presione **ENTER (ingresar)** para cambiar de °F a °C. La pantalla principal podrá verse con la temperatura en °C.
- 3 Para cancelar y volver al Menú de Energía principal, presione el botón de flecha **IZQUIERDO**.

NOTA: Para volver a °F, repita los pasos 1 y 2.

Preguntas Frecuentes

Este menú responde preguntas básicas sobre aire frío, el filtro, los modos de operación y el ruido. Toda esta información se encuentra cubierta en este manual de Uso y Cuidado. Si no encuentra dicho manual, usted puede consultar esta sección.

- 1 Para acceder las preguntas frecuentes, presione el botón **ENERGY MENU (menú de energía)** y luego presione **ENTER (ingresar)**.
- 2 Presione el botón de flecha **DESCENDENTE** para desplazarse hacia "FAQs" (preguntas frecuentes) y luego presione **ENTER (ingresar)**.

Hay cuatro categorías de preguntas:

Aire frío:

P: ¿Por qué hay aire frío?

R: Los modos Híbrido, eHeat™ y Gran Demanda ahorran energía utilizando el calor del aire para calentar el agua y por lo tanto enfrían el aire que rodea la unidad. Esto genera un ahorro de energía considerable.

P: ¿Cómo se detiene el aire frío?

R: Presione el botón **STOP COLD AIR (detener aire frío)**. Esto reduce la eficiencia del calentador. La unidad volverá al modo anterior después de la cantidad de días seleccionados.

Filtro:

P: ¿Por qué hay un filtro?

R: En los modos Híbrido y eHeat™ la unidad desplaza aire a través del sistema. El filtro protege la unidad de la suciedad. Un filtro de aire limpio mejora la eficiencia.

P: ¿Cómo se limpia el filtro?

R: Deje la energía accionada y quite el filtro de la parte superior de la unidad. El filtro puede limpiarse con un paño o enjuagarse con agua tibia. ¡Un filtro sucio reduce la eficiencia del calentador de agua!

Modos:

P: ¿Qué es el modo Gran Demanda?

R: El modo Gran Demanda puede utilizarse cuando el uso de agua caliente es mayor a lo normal. La unidad será menos eficiente pero calentará el agua más rápido en respuesta a las grandes demandas de agua. Para usos normales, la unidad utilizará el modo eficiente eHeat™.

P: ¿Qué es el modo "Detener aire frío"?

R: Este modo detiene el aire frío en forma temporal pero reduce la eficiencia del calentador. La unidad volverá al modo anterior después de la cantidad de días seleccionados.

P: ¿Qué es el modo "Vacaciones o tiempo fuera de casa"?

R: Si usted se ausenta de su hogar durante un período prolongado, este modo baja la temperatura del agua para reducir la energía necesaria. La unidad volverá al modo anterior un día antes de su retorno.

P: ¿Qué es el modo eHeat™?

R: El modo eHeat™ es el más eficiente en relación a la energía. Toma el calor del aire para calentar el agua, lo que enfría el aire que rodea la unidad. Es el modo de recuperación más lento pero más eficiente en relación a la energía.

P: ¿Qué es el modo Híbrido?

R: El modo Híbrido combina los beneficios de eHeat™ con la velocidad y energía del modo Eléctrico Estándar. Esto ofrece un gran desempeño con menos energía. (Modo recomendado)

P: ¿Qué es el modo Eléctrico Estándar?

R: El modo Eléctrico Estándar utiliza sólo los calentadores de resistencia para calentar el agua. Esto brinda una recuperación de agua caliente más rápida que el modo Híbrido, pero consume más energía.

Ruido:

P: ¿Por qué hace ruido la unidad?

R: En la mayoría de los modos eficientes en relación a la energía, eHeat™, Híbrido y Gran Demanda, el método utilizado para calentar el agua genera algo de ruido. El ruido de ventilador es normal.

3 Utilice los botones de flecha **ASCENDENTE** o **DESCENDENTE** para seleccionar la categoría relacionada a su pregunta y presione **ENTER (ingresar)**.

4 Para cancelar y volver al Menú de Energía principal, presione el botón de flecha **IZQUIERDO**.

5 Una vez que haya seleccionado la categoría, utilice los botones de flecha **ASCENDENTE** o **DESCENDENTE** para seleccionar las preguntas deseadas y presione **ENTER (ingresar)**.

6 Utilice los botones de flecha **ASCENDENTE** o **DESCENDENTE** para desplazarse a través de las pantallas de información.

7 Cuando haya finalizado, presione el botón de flecha **IZQUIERDO** para regresar al menú de Preguntas Frecuentes.

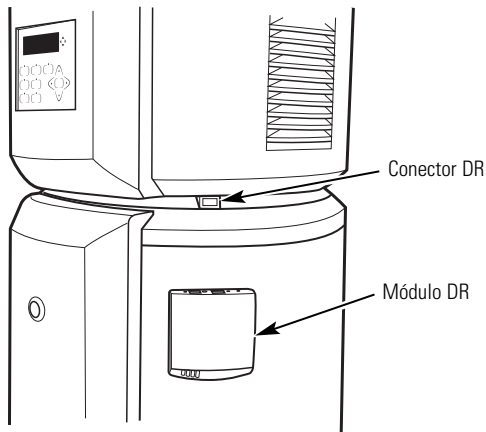
El calentador de agua con bomba calentadora Híbrida Eléctrica es compatible con el módulo de Respuesta ante Demanda (DR) de GE que puede adquirirse por separado. Comuníquese con su empresa local de servicio público o visite www.GEAppliances.com/demand_response para consultar si en su área se está utilizando la tecnología DR.

Las siguientes características de respuesta ante demanda se encuentran disponibles como parte de un programa de prueba piloto con la empresa local de servicio público a fin de ayudar a los consumidores a reducir el uso de electricidad durante el pico de demanda.

INSTALACIÓN

El módulo DR se encuentra equipado con imanes en la base del módulo que permiten la sujeción al exterior de metal pintado del calentador de agua con bomba de calor.

Los detalles sobre cómo conectar los cables al módulo se encuentran con las instrucciones que vienen con el módulo.



Una vez que el cable del módulo DR se enchufa en la conexión del calentador de agua, siga las instrucciones de encendido incluidas con el módulo DR. Cuando el módulo DR comienza a funcionar, el calentador de agua con bomba de calor se encuentra listo para recibir las señales de DR.

GUÍA RÁPIDA

Si su compañía local de servicio público está utilizando la tecnología DR, el módulo DR recibirá las señales enviadas desde la compañía. Se enviarán una de cuatro señales: La señal "Low" (bajo) representa que el nivel de energía más bajo se encuentra disponible, "Medium" (medio) y "High" (alto) representan costos de nivel de energía en aumento, y "Critical" (crítico) representa una energía con "pico de demanda". Un calentador de agua con bomba de calor equipado con un módulo DR reconoce automáticamente qué nivel de energía se encuentra disponible y ajusta la configuración de modo y temperatura para consumir menos energía cuando los niveles son medio, alto y crítico.

Cuando el nivel de la señal es bajo o cuando no hay conectado un módulo DR, la unidad funciona en forma normal. Los siguientes pasos muestran cómo reacciona la unidad en los niveles de energía Medio, Alto y Crítico.

Cuando la señal DR es de nivel **Medio**, el control funciona con el Modo eHeat™ y la temperatura del agua permanece en la configuración de usuario actual. La pantalla mostrará la siguiente información (donde xxx es la configuración de temperatura actual del usuario):

```
Water Temp = xxx°F
ECO eHeat Mode
Press ↑ or ↓ arrows
to change Water Temp
```

Cuando la señal DR es de nivel **Alto**, el control funciona con el Modo eHeat™, con una configuración de temperatura de agua de 110°F, y la pantalla mostrará:

```
Water Temp = 110°F
ECO eHeat Mode
```

Cuando la señal DR es de nivel **Crítico**, el control funciona con el Modo eHeat™, con una configuración de temperatura de agua de 100°F, y la pantalla mostrará:

```
Water Temp = 100°F
ECO eHeat Mode
```

Información de seguridad

Instrucciones de operación

Cuidado y limpieza

Instrucciones de instalación

Solución de problemas

Apoyo al cliente

Cuidado y limpieza del calentador de agua.

Mantenimiento preventivo de rutina

⚠ PELIGRO: Antes de operar la válvula de alivio en forma manual, verifique que nadie se vea expuesto al peligro de entrar en contacto con el agua caliente liberada por la válvula. El agua puede estar lo suficientemente caliente como para generar un peligro de quemaduras. El agua debe verterse en un desagüe adecuado para evitar lesiones o daños a la propiedad.

NOTA: Si la válvula de temperatura y de alivio de presión del calentador de agua realiza una descarga en forma periódica, esto puede deberse a una expansión térmica dentro de un sistema cerrado de agua. Para analizar cómo corregir la situación, comuníquese con el proveedor de agua o con el contratista de plomería. No enchufe la boca de la válvula de alivio.

Con un mantenimiento adecuado, el calentador de agua brindará muchos años de servicio confiable libre de problemas.

Sugerimos que el usuario establezca y siga un programa de rutina de mantenimiento preventivo.

Inspección periódica:

También recomendamos que un técnico calificado en reparación de aparatos eléctricos realice una inspección periódica de los controles operativos, los elementos calentadores y el cableado.

La mayor parte de los aparatos eléctricos, aún cuando sean nuevos, hacen ruido cuando se encuentran en funcionamiento. Si el nivel de ruido de silbido aumenta en forma excesiva, el elemento calentador eléctrico puede necesitar limpieza. Para efectuar la inspección, comuníquese con un instalador o plomero calificado.

Válvula de temperatura y de alivio de presión:

Por lo menos una vez al año, levante y libere la manija de la palanca de la válvula de temperatura y de alivio de presión, ubicada en la parte trasera derecha del calentador de agua, a fin de verificar que la válvula funcione libremente. Deje correr varios galones de agua a través de la línea de descarga dentro de un desagüe abierto.

Purga del tanque:

El tanque del calentador de agua puede funcionar como un depósito de sedimentación para sólidos suspendidos en el agua. Por lo tanto, resulta común que se acumulen depósitos de agua dura en el fondo del tanque. Para limpiar el tanque de esos depósitos, abra la válvula de drenaje ubicada debajo de la tapa decorativa cerca de la base de la unidad y deságüe unos cuartos de galón de agua del calentador todos los meses.

Drenaje del calentador de agua

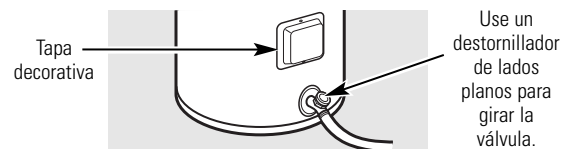
⚠ PRECAUCIÓN: Corte la energía dirigida al calentador de agua antes de drenar el agua.

⚠ PELIGRO: Antes de operar la válvula de alivio en forma manual, verifique que nadie se vea expuesto al peligro de entrar en contacto con el agua caliente liberada por la válvula. El agua drenada del tanque puede estar caliente como para presentar un peligro de quemaduras y debe verterse dentro de un desagüe adecuado para evitar lesiones o daños.

Sujete una manguera de jardín a la válvula de drenaje ubicada en la parte inferior de la unidad y dirija la manguera a un desagüe. La tapa frontal decorativa debe quitarse para poder acceder a la válvula.

Para drenar el calentador de agua por completo, cierre el suministro de agua fría. Abra un grifo de agua caliente o levante la manija de la válvula de alivio para que pase aire al tanque.

Abra la válvula de drenaje.



Vacaciones y períodos prolongados sin uso

Si el calentador de agua quedará sin uso durante un período prolongado, debe cortarse el suministro de energía y de agua hacia el aparato para conservar energía y para evitar la acumulación de gas de hidrógeno peligroso.

El calentador de agua y la tubería deben drenarse si puede llegar a sufrir temperaturas de congelamiento.

Después de un período prolongado sin uso, un técnico calificado debe chequear la operación y los controles del calentador de agua. Verifique que el calentador de agua esté completamente lleno antes de volver a ponerlo en funcionamiento.

NOTA: Consulte las precauciones sobre gas de hidrógeno en las Instrucciones de Operación.

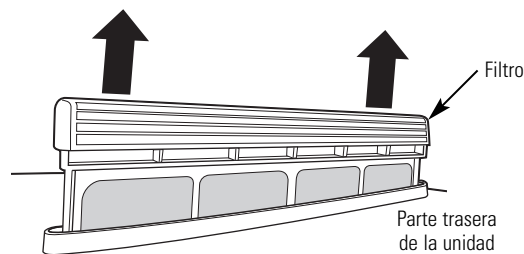
Limpeza del filtro

En los modos Híbrido, eHeat™ y Gran Demanda, el calentador desplaza aire a través del sistema y lo elimina por la parte trasera de la unidad. El filtro se instala para proteger al evaporador de polvillo y suciedad.

Resulta muy importante contar con un filtro de aire limpio para lograr la mayor eficiencia. De vez en cuando, debe limpiarse este filtro (el mínimo es una vez al año). Cuando el filtro necesite limpieza, se iluminará la luz roja ubicada sobre el botón del filtro y sonará un pitido. En la pantalla aparecerán instrucciones sobre la necesidad de limpiar el filtro. Cuando aparezca esta pantalla, presione el botón de flecha **DERECHA** para obtener instrucciones sobre cómo limpiar el filtro.

NOTA: Si el filtro se ensucia demasiado, la unidad cambiará automáticamente al modo Eléctrico Estándar y se perderá el ahorro de energía.

Deje la energía accionada y quite el filtro de la parte superior de la unidad. Se encuentra en la parte superior de la unidad detrás de las tuberías de ingreso caliente y fría. Tome la manija de plástico y deslice el filtro hacia arriba hasta que salga de la tapa. Una vez quitado, el filtro puede limpiarse con un paño húmedo o enjuagarse con agua tibia.



Una vez que el filtro esté limpio, vuelva a colocarlo alineándolo con la ranura de la parte superior de la unidad y deslizando en su lugar. Cuando la manija se encuentra alineada con la parte superior de la tapa, entonces está bien colocado.

Después de reinstalar el filtro, presione el botón **FILTER (filtro)** y luego presione **ENTER (ingresar)**.

IMPORTANTE: Debe limpiarse el filtro cuando se visualiza la alarma. Un filtro sucio sobrecarga el sistema y provoca una reducción de eficiencia y posibles daños al sistema. A fin de obtener la mejor eficiencia de energía posible, asegúrese de que el filtro esté limpio.

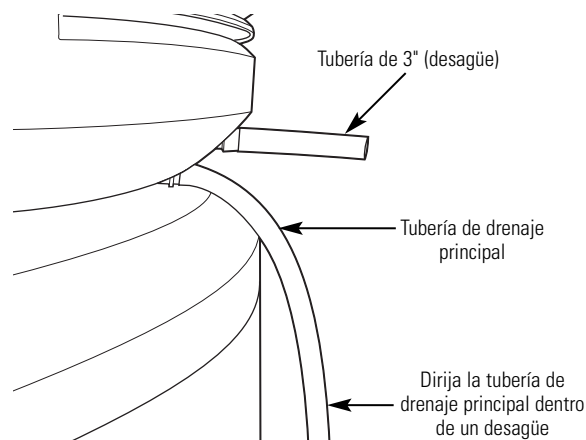
Limpeza de las tuberías de drenaje de condensación

Hay dos mangueras de drenaje conectadas a la parte trasera del calentador. Si ambas se tapan, se derramará agua en la parte exterior de la unidad.

El drenaje principal lleva toda la condensación al exterior. Si éste se tapa o si la manguera está torcida, la condensación saldrá por la tubería de drenaje secundaria y caerá al piso. Esta es una notificación para el usuario para indicar que se ha tapado el drenaje principal. Quite la manguera de drenaje, limpie la suciedad y vuelva a conectar.

En forma periódica, inspeccione las líneas de drenaje y limpie las suciedades que pueden haberse acumulado.

Ver *Instrucciones de Instalación* para más información.



Instrucciones de instalación

Calentador de agua

Modelos GEH50DNSRSA y GEH50DXSRGA

Para elegir la ubicación del calentador de agua deben considerarse los siguientes puntos:

REGULACIONES LOCALES DE INSTALACIÓN

Este calentador de agua debe instalarse de acuerdo con estas instrucciones, códigos locales, códigos de empresas de servicio público, requisitos de empresas de servicio público o, si no existieran códigos locales, la última edición del Código Eléctrico Nacional. Se encuentra disponible en algunas bibliotecas locales o puede adquirirse en la Asociación Nacional de Protección de Incendio (National Fire Protection Association), Batterymarch Park, Quincy, MA 02169 según el folleto ANSI/NFPA 70.

REQUISITOS DE ENERGÍA

Consulte las marcas de la placa de clasificación del calentador de agua para asegurarse de que el suministro de energía corresponda con los requisitos del aparato.

UBICACIÓN

Ubique el calentador de agua en un área limpia y seca lo más cercana posible al área de mayor demanda de agua caliente. Las líneas de agua caliente largas y sin aislación pueden generar una pérdida de energía y agua.

NOTA: Dado que la unidad toma aire de la habitación para calentar el agua, ésta debe tener dimensiones de por lo menos 10' x 10' x 7' (700 pies cúbicos) o más. Si la habitación es más pequeña, debe haber una puerta con persianas.

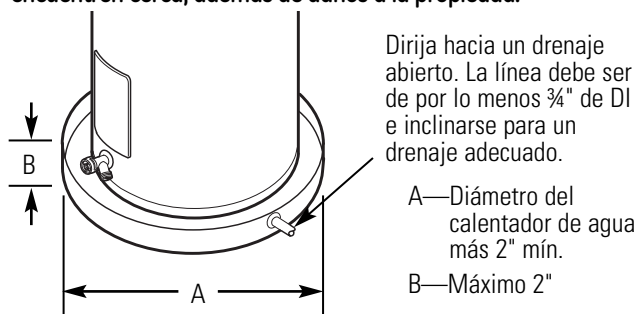
Ubique el calentador de agua de modo que el filtro de aire, la tapa y los paneles frontales puedan quitarse para permitir la inspección y atención, como la remoción de elementos o la limpieza del filtro.

El calentador de agua y las líneas de agua deben protegerse de las temperaturas de congelamiento y de atmósferas muy corrosivas. No instale el calentador de agua al aire libre, en área sin protección.

⚠ PRECAUCIÓN: El calentador de agua debe ubicarse en un sector donde las pérdidas de agua del tanque o las conexiones no provoquen daños al área adyacente al aparato o a pisos inferiores de la estructura. Cuando dichas ubicaciones no puedan evitarse, se recomienda la instalación de una bandeja recolectora debajo del calentador de agua, con un desagüe adecuado.

UBICACIÓN (CONT.)

⚠ ADVERTENCIA: Este calentador de agua NO DEBE instalarse en un sector donde se utilizan o almacenan líquidos que emiten vapores inflamables. Dichos líquidos incluyen gasolina, gas LP (butano y propano), pintura o adhesivos y sus solventes o removedores. Debido al movimiento natural del aire dentro de una habitación u otro espacio cerrado, los vapores inflamables puede desplazarse desde donde se están utilizando o almacenando sus líquidos. El arco ubicado dentro del control del calentador de agua puede encender esos vapores, generando una explosión o incendio que puede provocar quemaduras graves o la muerte a aquellas personas que se encuentren cerca, además de daños a la propiedad.

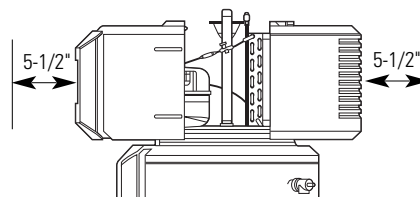


NOTA: La bandeja recolectora auxiliar DEBE cumplir con los códigos locales.

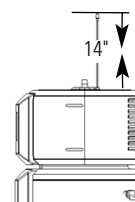
Se encuentran disponibles kits de bandejas recolectoras en la tienda donde adquirió su calentador de agua, en tiendas para constructores o en cualquier distribuidor de calentadores de agua.

Espacios requeridos:

Debe haber un espacio recomendado de 7" (espacio de aire), con un espacio mínimo de 5-1/2" entre cualquier objeto y las tapas frontales y traseras en caso de que se necesite una reparación.



Se requiere un espacio mínimo de 14" para quitar el filtro para la limpieza. Las conexiones eléctricas y de plomería de agua caliente y fría no deben interferir con la remoción del filtro.



Drenaje de condensación

La unidad cuenta con un drenaje de condensación; por lo tanto, debe haber un desagüe disponible en proximidad de la unidad. El drenaje no debe estar a una altura superior a 36" por encima del piso (un drenaje de lavadero es aceptable). Si no se cuenta con un drenaje, entonces debe adquirirse e instalarse una bomba de condensación común con una capacidad no menor a 1 galón/hora en una tienda local para constructores o ferretería.

Instrucciones de instalación

EXPANSIÓN TÉRMICA

⚠️ ADVERTENCIA: El calentador de agua no debe instalarse en un sector donde se utilizan o almacenan líquidos que emiten vapores inflamables.

Determine si hay una válvula de retención en la línea de ingreso de agua. Puede haberse instalado en la línea de agua fría como una válvula contra reflujo separada, o puede formar parte de una válvula de reducción de presión, un medidor de agua o ablandador de agua. Una válvula de retención en la línea de entrada de agua fría puede provocar lo que se conoce como un "sistema cerrado de agua." Una línea de entrada de agua fría sin válvula de retención ni dispositivo contra reflujo se conoce como un sistema de agua "abierto".

A medida que se calienta el agua, ésta expande su volumen y aumenta la presión dentro del sistema de agua. Esta acción se conoce como "expansión térmica." En un sistema de agua "abierto", el agua en expansión que supera la capacidad del calentador de agua fluye de regreso a la cañería de la ciudad, donde la presión se disipa fácilmente.

Sin embargo, un "sistema cerrado de agua" evita que el agua en expansión regrese a la línea de suministro principal, y el resultado de la "expansión térmica" puede generar un aumento rápido y peligroso de presión en el calentador de agua y en la tubería del sistema. Este rápido aumento de presión puede alcanzar la configuración de seguridad de la válvula de alivio, lo que haría que funcione durante cada ciclo de calentamiento. La expansión térmica, y la consecuente expansión y contracción rápida y repetida de los componentes del calentador de agua y del sistema de tuberías, pueden provocar una falla prematura de la válvula de alivio, y posiblemente del calentador mismo. ¡Reemplazar la válvula de alivio **no corrige** el problema!

El método sugerido para controlar la expansión térmica es instalar un tanque de expansión en la línea de agua fría entre el calentador de agua y la válvula de retención (consulte la ilustración de la derecha). El tanque de expansión está diseñado con un colchón de aire que se comprime a medida que aumenta la presión del sistema, lo que alivia la presión excesiva y elimina el funcionamiento repetido de la válvula de alivio. Se encuentran disponibles otros métodos para controlar la expansión térmica. Comuníquese con su instalador, proveedor de agua o inspector de plomería para mayor información sobre este tema.

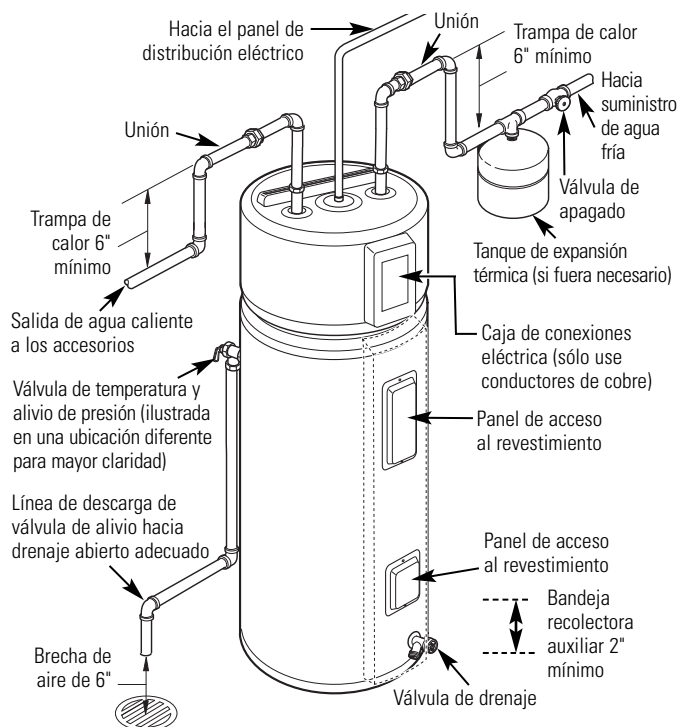
CONEXIONES DE SUMINISTRO DE AGUA

Consulte la ilustración inferior sobre sugerencias de instalación típicas. Se recomienda la instalación de uniones o conectores flexibles de cobre en las conexiones de agua caliente y fría para que el calentador de agua pueda desconectarse fácilmente para reparaciones si fuera necesario. Las conexiones de agua CALIENTE y FRÍA se encuentran claramente marcadas y son NPT de 3/4" en todos los modelos.

NOTA: Instale la válvula de apagado en la línea de agua fría cerca del calentador de agua. Esto permitirá un servicio o mantenimiento posterior de la unidad más sencillo.

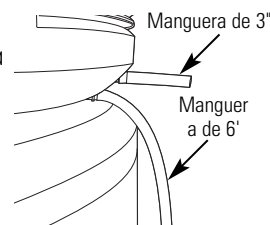
IMPORTANTE: No aplique calor a las conexiones de agua CALIENTE o FRÍA. Si se utilizan conexiones de soldadura blanda, suelde las tuberías al adaptador antes de colocar el adaptador a las conexiones de agua fría del calentador. Si se aplica calor a las conexiones de agua caliente o fría se dañará permanentemente el tubo de inmersión.

INSTALACIÓN CLÁSICA



TUBERÍAS DE DRENAJE DE CONDENSACIÓN

Esta unidad cuenta con una bandeja de condensación. El agua recolectada en la bandeja drena por la tubería que sale de la parte trasera de la unidad. Se incluyen dos mangueras flexibles con esta unidad. Es importante que estas dos mangueras se encuentren conectadas a las dos bocas de drenaje que salen de la parte trasera de la unidad. Sujete un extremo de la manguera más larga de 6' a la boca de drenaje inferior de la parte trasera de la unidad, debajo de la tapa trasera. Dirija el otro extremo hacia un drenaje de piso o a una altura no mayor de 3' sobre el piso. Si no se cuenta con dicho drenaje, debe adquirirse e instalarse una bomba de drenaje de condensación (no provista). Conecte la manguera más corta de 3' a la boca de drenaje superior.



Instrucciones de instalación

Se provee una nueva combinación de válvula de temperatura y alivio de presión, en cumplimiento con la Norma para válvulas de alivio y dispositivos automáticos de apagado de gas para sistemas de suministro de agua caliente, ANSI Z21.22, y debe permanecer instalada en la abertura provista y marcada para dicho objetivo en el calentador de agua. No debe instalarse ninguna clase de válvula entre la válvula de alivio y el tanque. Los códigos locales deben regular la instalación de válvulas de alivio.

VÁLVULA DE ALIVIO

⚠ ADVERTENCIA: La clasificación de presión de la válvula de alivio no debe superar los 150 PSI, la presión máxima de trabajo del calentador de agua, según se indica en la placa de clasificación.

La clasificación de BTUH de la válvula de alivio no debe ser menor a la clasificación de entrada del calentador de agua, como se indica en la etiqueta de clasificación ubicada en el frente del calentador (1 vatio=3,412 BTUH).

Conecte la salida de la válvula de alivio a un desagüe abierto adecuado para que el agua de descarga no entre en contacto con piezas electrificadas o con personas y para eliminar daños potenciales por agua.

La tubería utilizada debe ser de un tipo aprobado para distribución de agua caliente. La línea de descarga no debe ser menor a la salida de la válvula y debe inclinarse hacia abajo para permitir un drenaje completo (por gravedad) de la válvula de alivio y línea de descarga. El extremo de la línea de descarga no debe ser roscado o estar oculto y debe protegerse del congelamiento. Ninguna clase de válvula o de acoplamiento de restricción o reducción debe instalarse en la línea de descarga.

⚠ PRECAUCIÓN:

Para reducir el riesgo de presiones y temperaturas excesivas en este calentador de agua, instale equipamiento de protección de temperatura y presión requerido por los códigos locales y no menos que una válvula combinada de temperatura y alivio de presión certificada por un laboratorio de pruebas reconocido en forma nacional que mantenga una inspección periódica de la producción del equipamiento listado o materiales, según los requisitos de la Norma para válvulas de alivio y dispositivos automáticos de apagado de gas para sistemas de suministro de agua caliente, ANSI Z21.22. Esta válvula debe estar marcada con una presión máxima predeterminada que no supere la presión de trabajo máxima marcada del calentador de agua. Instale la válvula en una abertura provista y marcada para este objetivo en el calentador de agua, y oriéntela o provea una tubería para que cualquier descarga de la válvula se elimine sólo dentro de las 6 pulgadas hacia arriba, o a cualquier distancia hacia abajo, el piso estructural, y no entre en contacto con piezas electrificadas. La abertura de descarga no debe estar bloqueada ni debe reducirse en tamaño en ninguna circunstancia.

PARA LLENAR EL CALENTADOR DE AGUA

⚠ ADVERTENCIA: El tanque debe estar lleno de agua antes de encender el calentador. La garantía del calentador de agua no cubre daños o fallas originadas por el funcionamiento con un tanque vacío o parcialmente vacío.

Verifique que la válvula de drenaje esté completamente cerrada. Abra la válvula de apagado de la línea de suministro de agua fría. Abra cada grifo de agua caliente lentamente para que salga el aire del calentador de agua y de la tubería. Un flujo constante de agua desde los grifos de agua caliente indica que el calentador de agua está lleno.

CONEXIONES ELÉCTRICAS

Un electricista calificado debe instalar un circuito derivado individual con conductores de cobre, un dispositivo de protección de sobrecarga y un medio adecuado de desconexión.

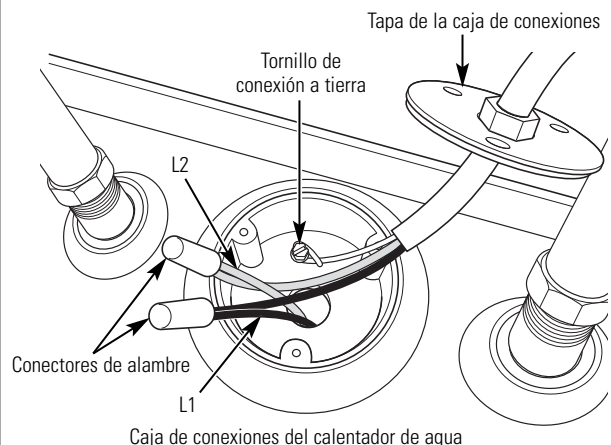
Todo el cableado debe cumplir con los códigos locales o la última edición del Código Eléctrico Nacional ANSI/NFPA 70.

El calentador de agua se encuentra completamente conectado a la caja de conexiones ubicada en la parte superior del calentador. Se provee una abertura para accesorios eléctricos de 1/2" o 3/4" para conexiones de cableado.

Los requisitos de voltaje y de carga de vataje para el calentador de agua se encuentran especificados en la etiqueta de clasificación ubicada en el frente del aparato.

El cableado de circuito derivado debe incluir uno de los siguientes:

1. Conducto metálico o cable enfundado metálico que haya sido aprobado para utilizar como un conductor de conexión a tierra e instalado con accesorios aprobados para dicho objetivo.
2. Los cables enfundados no metálicos, conductos metálicos o cables enfundados metálicos no aprobados para utilizar como un conductor a tierra deberán incluir un conductor individual para conexión a tierra. Debe conectarse a las terminales de tierra del calentador de agua y a la caja de distribución eléctrica.



⚠ ADVERTENCIA: Resulta esencial una adecuada conexión a tierra. La presencia de agua en la tubería y en el calentador de agua no brinda suficiente conducción para una conexión a tierra. Las tuberías no metálicas, las uniones dieléctricas, los conectores flexibles, etc., pueden provocar que el calentador de agua quede aislado eléctricamente.

Instrucciones de instalación

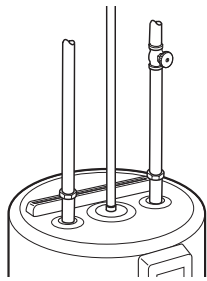
La garantía del fabricante no cubre daños o defectos provocados por la instalación, conexión o uso de cualquier clase de dispositivo de ahorro de energía o dispositivo sin aprobación correspondiente (salvo los autorizados por el fabricante) dentro, sobre o en conjunto con el calentador de agua. El uso de dispositivos de ahorro de energía sin autorización puede acortar la vida útil de calentador de agua y puede poner el peligro vidas humanas y la propiedad.

El fabricante no se hace responsable de pérdidas o lesiones provocadas por el uso de tales dispositivos carentes de autorización.

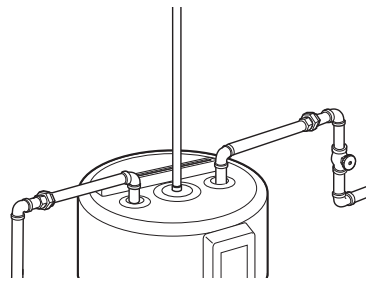
Si los códigos locales requieren la aplicación externa de kits de mantas de aislación, deben seguirse al pie de la letra las instrucciones del fabricante incluidas con el kit.

La aplicación de cualquier aislación externa, mantas o aislación de tuberías de agua a este calentador de agua exige prestar especial atención a los siguientes puntos:

- No cubra la válvula de temperatura y de alivio de presión.
- No cubra los paneles de acceso a los elementos calentadores.
- No cubra la caja de conexiones eléctrica del calentador de agua.
- No cubra las etiquetas de operación o de advertencia sujetas al calentador de agua ni trate de trasladarlas a la parte exterior de la manta de aislación.
- No bloquee las bocas de entrada de aire ubicadas debajo y en las tapas superiores.



Distribución clásica de tubería vertical



Distribución clásica de tubería horizontal

NOTA: Esta guía recomienda un tamaño mínimo de circuito derivado en base al Código Eléctrico Nacional. Consulte los diagramas de cableado del manual para conexiones del cableado.

GUÍA DE TAMAÑOS PARA CIRCUITOS DERIVADOS

Vataje total del calentador de agua	Protección recomendada para sobrecarga (clasificación de amperaje de fusible o interruptor de circuitos)			
	208V	240V	277V	480V
3.000	20	20	15	15
4.000	25	25	20	15
4.500	30	25	25	15
5.000	30	30	25	15
5.500	35	30	25	15
6.000	40	35	30	20
8.000	50	45	40	25
9.000	-	50	45	25
10.000	-	-	50	30
11.000	-	-	50	30
12.000	-	-	-	35

Vataje total del calentador de agua	Tamaño del cable de cobre AWG basado en N.E.C. Tabla 310-16 (75°C)			
	208V	240V	277V	480V
3.000	12	12	14	14
4.000	10	10	12	14
4.500	10	10	10	14
5.000	10	10	10	14
5.500	8	10	10	14
6.000	8	8	10	12
8.000	8	8	8	10
9.000	-	8	8	10
10.000	-	-	8	10
11.000	-	-	8	10
12.000	-	-	-	8

Instrucciones de instalación

LISTA DE CONTROL DE LA INSTALACIÓN

- 1. Ubicación del tanque:**
 - ¿El **tamaño de la habitación** es menor a 10' x 10' x 7' (700 pies cúbicos)? Si es así, se necesita una puerta con persianas o con una ventilación similar.
 - La parte trasera se encuentra a 7 pulgadas de **distancia de la pared**.
 - El **frente** de la unidad se encuentra libre y sin obstrucciones.
 - ¿Está **nivelado** el calentador de agua? Si no es así, agregue cuñas debajo de la base de la unidad.
- 2. Conexiones de plomería:**
 - No obstruyen la remoción del **filtro de aire**.
 - No hay pérdidas después de **llenar** el tanque con agua, ya sea cuando fluye el agua o no.
- 3. Las líneas de condensado se encuentran en su lugar:**
 - 1) Tubería corta en la boquilla de drenaje superior.
 - 2) Tubería más larga en la boquilla de drenaje inferior y dirigida al desagüe del piso o a una bomba de condensación.
- 4. La válvula de temperatura y alivio de presión** funciona y la línea de drenaje se ha completado según los códigos locales.
- 5.** La conexión **eléctrica** no obstruye la remoción del filtro de aire.
- 6.** Verifique que el **panel de control** indique el modo Híbrido a 120°F.
- 7. Cubierta** frontal en su lugar.



Consejos para identificación y solución de problemas
¡Ahorre tiempo y dinero! Lea la siguiente tabla primero
y quizás no necesite llamar al servicio técnico.

Problema	Causas posibles	Qué hacer
El calentador de agua hace ruido	Se utilizan ventiladores para desplazar aire a través del sistema. El volumen del ruido del ventilador varía a medida que el agua se calienta.	<ul style="list-style-type: none"> Es normal oír un ruido a ventilador (similar al ventilador de un sistema central de calefacción y refrigeración). Si oye un ruido anormal, como un golpeteo, o el nivel del ruido parece demasiado alto, comuníquese con el servicio técnico. Si el nivel del ruido ha ido aumentando en las últimas semanas o meses, el filtro puede estar sucio, lo que fuerza el funcionamiento del ventilador. Verifique si el filtro debe limpiarse. (Ver página 57 para instrucciones.)
El calentador de agua está enfriando demasiado la habitación	La habitación no está bien ventilada o es muy pequeña.	<ul style="list-style-type: none"> Si la habitación tiene un tamaño menor a 10' x 10' x 7', entonces debe contar con una puerta con persianas u otros medios para permitir el intercambio de aire con las habitaciones cercanas.
Pérdidas de agua en la parte exterior del calentador	No se han conectado las mangueras de drenaje de condensación.	<ul style="list-style-type: none"> Se incluyen dos mangueras de drenaje con su calentador de agua. Conecte la manguera más larga de 6' a la boca inferior de drenaje de condensación. Conecte la manguera corta de 3" a la boca superior de drenaje de condensación.
	Las mangueras de drenaje de condensación están torcidas o tapadas.	<ul style="list-style-type: none"> Quite las mangueras de drenaje y limpie las suciedades de la línea. Puede usar un alambre pequeño, como una percha o un destornillador para limpiar las suciedades de la boca de drenaje de la unidad.
	Las conexiones de agua caliente/fría no están ajustadas.	<ul style="list-style-type: none"> Ajuste las conexiones de las tuberías de entrada y salida.
No hay agua caliente o no se cuenta con la cantidad necesaria	El consumo del agua puede haber superado la capacidad del calentador de agua.	<ul style="list-style-type: none"> Espera a que el calentador de agua se recupere después de un uso excesivo.
	Fusible quemado o interruptor de circuitos accionado.	<ul style="list-style-type: none"> Cambie los fusibles o reconfigure el interruptor de circuitos.
	El suministro eléctrico puede estar cortado.	<ul style="list-style-type: none"> Verifique que el suministro eléctrico hacia el calentador de agua y el interruptor de desconexión, si lo hubiera, estén en la posición ON (encendido).
	La configuración de temperatura del agua puede estar muy baja.	<ul style="list-style-type: none"> Ver la sección <i>Configuración de la temperatura del agua</i>.
	Grifos de agua caliente con pérdidas o abiertos.	<ul style="list-style-type: none"> Verifique que todos los grifos estén cerrados.
	El servicio eléctrico hacia su hogar puede estar cortado.	<ul style="list-style-type: none"> Comuníquese con la empresa local de servicio público.
	Cableado inadecuado.	<ul style="list-style-type: none"> Ver la sección <i>Instrucciones de Instalación</i>.
	Límite de reconfiguración manual (TCO).	<ul style="list-style-type: none"> Ver la sección <i>Configuración de la temperatura del agua</i>.
La temperatura de entrada de agua fría puede ser más baja en los meses de invierno.	<ul style="list-style-type: none"> Esto es normal. Lleva más tiempo calentar el agua de entrada más fría. 	
El agua está muy caliente	La configuración de temperatura del agua es muy elevada.	<ul style="list-style-type: none"> Ver la sección <i>Configuración de la temperatura del agua</i>.
<p>⚠ PRECAUCIÓN: Por su seguridad, NO TRATE de reparar el cableado eléctrico, los controles, los elementos calentadores u otros dispositivos de seguridad. Solicite las reparaciones a personal calificado.</p>		
<p>Ha fallado el control electrónico.</p>		<ul style="list-style-type: none"> Llame al servicio técnico.

Información de seguridad

Instrucciones de operación

Cuidado y limpieza

Instrucciones de instalación

Solución de problemas

Apoyo al cliente

Before you call for service...

Problem	Possible Causes	What To Do
<i>Ruidos sordos</i>	El estado del agua de su hogar provocó una acumulación de sarro o depósitos minerales en los elementos calentadores.	<ul style="list-style-type: none"> Quite y limpie los elementos calentadores.
<i>La válvula de alivio produce chasquidos o drena agua</i>	Acumulación de presión provocada por la expansión térmica en un sistema cerrado.	<ul style="list-style-type: none"> Esta es una condición inaceptable y debe corregirse. Para analizar cómo corregir la situación, comuníquese con el proveedor de agua o con el contratista de plomería. No enchufe la boca de la válvula de alivio.
<i>El calentador emite un pitido y en la pantalla puede verse: "Attention! Tank not filled!" (¡Atención: tanque vacío!)</i>	No se ha llenado el calentador de agua antes de encenderlo. Activar el calentador sin agua daña los calentadores eléctricos. La garantía del calentador de agua no cubre daños o fallas originadas por el funcionamiento con un tanque vacío o parcialmente vacío.	<ul style="list-style-type: none"> Llene el tanque por completo. Presione ENTER (ingresar) para detener la alarma y luego presione POWER (energía) cuando se haya llenado el tanque.
<i>Está encendida la luz del filtro</i>	Debe limpiarse el filtro. Resulta necesario un filtro limpio para un funcionamiento efectivo.	<ul style="list-style-type: none"> Siga las instrucciones sobre cómo quitar y limpiar el filtro de la página 57.
<i>El calentador emite un pitido y en la pantalla puede verse: "Heat Pump Failure" (falla de la bomba de calor)</i>	Hay un problema con el sistema de bomba de calor.	<ul style="list-style-type: none"> La unidad cambiará automáticamente a otro modo disponible para asegurar la provisión de agua caliente. Comuníquese de inmediato con el servicio técnico e infórmele los códigos listados en la pantalla.
<i>El calentador emite un pitido y en la pantalla puede verse: "Water Heater Failure" (falla del calentador de agua)</i>	Hay un problema con el sistema del calentador de agua.	<ul style="list-style-type: none"> La unidad cambiará automáticamente a otro modo disponible para asegurar la provisión de agua caliente. Comuníquese de inmediato con el servicio técnico e infórmele los códigos listados en la pantalla.
<i>El calentador emite un pitido y en la pantalla puede verse: "System Failure" (falla del sistema)</i>	Hay un problema con el calentador de agua que requiere atención inmediata.	<ul style="list-style-type: none"> Debe apagarse el calentador. Comuníquese con el servicio técnico de inmediato.
<i>La unidad no hace ningún ruido</i>	Si la unidad está utilizando los elementos de resistencia, no hace ningún ruido.	<ul style="list-style-type: none"> Verifique el modo de la unidad.

Información de seguridad

Instrucciones de operación

Cuidado y limpieza

Instrucciones de instalación

Solución de problemas

Apoyo al cliente

**Información
de seguridad**

**Instrucciones
de operación**

**Cuidado y
limpieza**

**Instrucciones
de instalación**

**Solución de
problemas**

**Apoyo
al cliente**

Garantía del calentador de agua híbrido de GE.

GEAppliances.com



Todo el servicio de garantía se encuentra provisto por nuestra red de servicio autorizada. Para solicitar una reparación, llame al 888.4GE.HEWH (888.443.4394). Tenga el número de serie y de modelo a mano cuando llame para solicitar un servicio técnico.

Abroche su recibo aquí. Se necesita una prueba de la fecha de compra original para obtener servicio técnico cubierto por la garantía.

Información de seguridad

Instrucciones de operación

Cuidado y limpieza

Instrucciones de instalación

Solución de problemas

Apoyo al cliente

Por el período de: Reemplazaremos:

Un año Desde la fecha de compra original	Cualquier pieza del calentador de agua híbrido que falle debido a defectos de los materiales o de mano de obra. Durante esta garantía limitada de un año , GE también ofrece, en forma gratuita , toda la mano de obra y los costos de servicio para reemplazar la pieza defectuosa.
Del segundo al décimo año Desde la fecha de compra original	Cualquier pieza del calentador de agua híbrido que falle debido a defectos de los materiales o de mano de obra. Durante esta garantía limitada de diez años de las piezas , no se incluyen la mano de obra ni los costos de servicio para reemplazar la pieza defectuosa.

No se encuentra cubierto:

- Visitas a su hogar para enseñarle a usar el producto.
- Instalación, entrega o mantenimiento inadecuados.
- Fallas del producto debido a abuso, uso indebido, uso diferente para el que fue diseñado, o uso comercial.
- El uso de este producto donde el agua no es segura desde el punto de vista microbiológico o de calidad desconocida, sin una adecuada desinfección antes o después de la instalación del sistema.
- Reemplazo de fusibles domésticos o la reconfiguración de los interruptores de circuito.
- Daños al producto provocados por accidentes, rayos, incendios, inundaciones o fuerza mayor.
- Daños incidentales o resultantes provocados por posibles defectos del artefacto, su instalación o reparación.
- Producto no accesible para prestar el servicio técnico solicitado.
- Si el producto se trasladó de su ubicación de instalación original.
- Daños, mal funcionamiento o fallas provocados por el uso de piezas o componentes no aprobados.
- Daños, mal funcionamiento o fallas provocados por el funcionamiento del calentador de agua con bomba de calor sin la varilla del ánodo en su lugar.
- Daños, mal funcionamiento o fallas provocados por el funcionamiento de la bomba de calor con el tanque vacío o parcialmente vacío.
- Daños, mal funcionamiento o fallas provocados por someter al tanque a una presión mayor a la indicada en la etiqueta de clasificación.
- Daños, mal funcionamiento o fallas provocados por el funcionamiento del calentador de agua con bomba de calor con un voltaje superior al indicado en la etiqueta de clasificación.
- Falla del calentador de agua debido al uso del mismo en atmósferas corrosivas.

EXCLUSIÓN DE GARANTÍAS IMPLÍCITAS—Su único y exclusivo recurso es la reparación del producto como se establece en la presente Garantía Limitada. Las garantías implícitas, incluyendo garantías de comerciabilidad y aptitud para un objetivo particular, se encuentran limitadas a un año o al período más corto permitido por la ley.

Esta garantía se extiende al comprador original y cualquier dueño posterior para productos adquiridos para uso doméstico dentro de los EE.UU. Si el producto se encuentra en una región donde no hay Servicio Técnico autorizado de GE, usted será responsable del costo del viaje o usted puede tener que llevar el producto a un Servicio Técnico Autorizado de GE para efectuar la reparación. En Alaska, la garantía excluye el costo de envío o visitas para efectuar arreglos en su hogar.

Algunos estados no permiten la exclusión o limitación de daños incidentales o resultantes. Esta garantía le otorga derechos legales específicos y usted puede contar con otros derechos, que pueden variar de estado a estado. Para conocer sus derechos legales, consulte a su oficina del consumidor local o estatal o al Fiscal General de su estado.

Garante: General Electric Company. Louisville, KY 40225

Apoyo al cliente.



Sitio Web de GE Appliances

GEAppliances.com

¿Tiene una consulta o necesita ayuda con su aparato? ¡Visite el Sitio Web de GE Appliances las 24 horas al día, todos los días del año! Para una mayor comodidad y un servicio más rápido, ahora usted puede bajar los Manuales del Propietario, o incluso solicitar piezas on-line.



Programe una reparación

GEAppliances.com

El servicio experto de reparación de GE está sólo a un paso de su hogar. Programe su reparación en un horario conveniente para usted llamando al 888.4GE.HEWH (888.443.4394) en horario normal de trabajo.



Real Life Design Studio (Diseño para la vida real)

GEAppliances.com

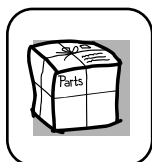
GE apoya el concepto de Diseño Universal: Productos, servicios y ambientes que pueden ser utilizados por personas de todas las edades, tamaños y capacidades. Reconocemos la necesidad de la creación de diseños para una amplia gama de capacidades y limitaciones físicas y mentales. Para más detalles sobre las aplicaciones de Diseño Universal de GE, incluyendo ideas de diseño de cocina para personas con discapacidades, visite el Sitio Web hoy mismo. Para las personas con problemas auditivos, llame al 800.TDD.GEAC (800.833.4322).



Garantías extendidas

GEAppliances.com

Adquiera una garantía extendida de GE y averigüe sobre descuentos especiales disponibles durante la vigencia de su garantía. Usted puede adquirirla on-line en cualquier momento, o llamar al 800.626.2224 en horario normal de trabajo. El Servicio Doméstico al Consumidor de GE también lo ayudará después de que su garantía haya expirado.

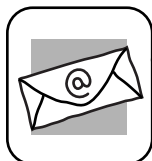


Piezas y accesorios

GEAppliances.com

Las personas calificadas para arreglar sus propios aparatos pueden recibir las piezas o accesorios directamente en sus hogares (se aceptan las tarjetas VISA, MasterCard y Discover). Solicítelos on-line hoy mismo, las 24 horas del día o por teléfono al 800.626.2002 en horario normal de trabajo.

Las instrucciones incluidas en este manual cubren los procedimientos a realizar por cualquier usuario. Personal de servicio técnico calificado debe efectuar otra clase de arreglos. Debe tenerse mucho cuidado, porque los arreglos inadecuados pueden provocar un funcionamiento poco seguro.



Comuníquese con nosotros

GEAppliances.com

Si no se encuentra satisfecho con el servicio que recibe de GE, comuníquese con nosotros a través del Sitio Web con todos los detalles, incluyendo número de teléfono, o escríbanos al:

General Manager, Customer Relations
GE Appliances, Appliance Park
Louisville, KY 40225



Registre su aparato

GEAppliances.com

Registre su nuevo aparato on-line, ¡como le resulte más conveniente! Una inscripción de producto oportuna mejorará y acelerará las comunicaciones y el servicio según los términos de la presente garantía, si surgiera la necesidad. Usted también puede enviar por correo la tarjeta de inscripción pre-impresa incluida con el material de empaque.

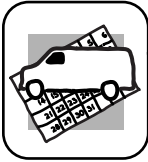
Consumer Support.



GE Appliances Website

GEAppliances.com

Have a question or need assistance with your appliance? Try the GE Appliances Website 24 hours a day, any day of the year! For greater convenience and faster service, you can now download Owner's Manuals or order parts online.



Schedule Service

GEAppliances.com

Expert GE repair service is only one step away from your door. Schedule your service at your convenience by calling 888.4GE.HEWH (888.443.4394) during normal business hours.



Real Life Design Studio

GEAppliances.com

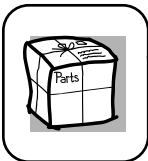
GE supports the Universal Design concept—products, services and environments that can be used by people of all ages, sizes and capabilities. We recognize the need to design for a wide range of physical and mental abilities and impairments. For details of GE's Universal Design applications, including kitchen design ideas for people with disabilities, check out our Website today. For the hearing impaired, please call 800.TDD.GEAC (800.833.4322).



Extended Warranties

GEAppliances.com

Purchase a GE extended warranty and learn about special discounts that are available while your warranty is still in effect. You can purchase it on-line anytime, or call 800.626.2224 during normal business hours. GE Consumer Home Services will still be there after your warranty expires.



Parts and Accessories

GEAppliances.com

Individuals qualified to service their own appliances can have parts or accessories sent directly to their homes (VISA, MasterCard and Discover cards are accepted). Order on-line today, 24 hours every day or by phone at 800.626.2002 during normal business hours.

Instructions contained in this manual cover procedures to be performed by any user. Other servicing generally should be referred to qualified service personnel. Caution must be exercised, since improper servicing may cause unsafe operation.



Contact Us

GEAppliances.com

If you are not satisfied with the service you receive from GE, contact us on our Website with all the details including your phone number, or write to:

General Manager, Customer Relations
GE Appliances, Appliance Park
Louisville, KY 40225



Register Your Appliance

GEAppliances.com

Register your new appliance on-line—at your convenience! Timely product registration will allow for enhanced communication and prompt service under the terms of your warranty, should the need arise. You may also mail in the pre-printed registration card included in the packing material.

Free Manuals Download Website

<http://myh66.com>

<http://usermanuals.us>

<http://www.somanuals.com>

<http://www.4manuals.cc>

<http://www.manual-lib.com>

<http://www.404manual.com>

<http://www.luxmanual.com>

<http://aubethermostatmanual.com>

Golf course search by state

<http://golfingnear.com>

Email search by domain

<http://emailbydomain.com>

Auto manuals search

<http://auto.somanuals.com>

TV manuals search

<http://tv.somanuals.com>