

INSTALLATION INSTRUCTIONS

**Models GNUT05Z, GXUT05Z, GNUV10Z, GXUV10Z, GNUL30Z,
GXUL30Z & GXEM01Z**

TABLE OF CONTENTS:

	<u>Page #</u>
Important Installation Recommendations	1
Tools and Materials Required for Installation	2
Step-by-Step Installation Instructions	
– Feed water supply	3
– Electronic faucet installation	4
– Wall mounting	5
– Tubing connection	5
– Battery installation	5
– Filter cartridge installation	5
Parts List	6, 7



GNUT05Z, GXUT05Z, GNUV10Z, GXUV10Z, GNUL30Z, and GXUL30Z are tested and certified to ANSI/NSF Standard 42 for particulate reduction Class I, chlorine reduction Class I and taste and odor reduction.

GNUV10Z and GXUV10Z are tested and certified to ANSI/NSF Standard 53 for volatile organic chemical reduction.

GNUL30Z and GXUL30Z are tested and certified to ANSI/NSF Standard 53 for cyst, turbidity and lead reduction.

IMPORTANT INSTALLATION RECOMMENDATIONS

Read entire manual. Failure to follow all guides and rules could cause personal injury or property damage.

- **Check with your local public works department for plumbing codes. You must follow their guides as you install the Water Filtration system.**
- **Use the Water Filtration system on a potable, safe-to-drink, home COLD water supply only. The filter cartridges will not purify water or make unsafe water safe to drink. DO NOT use on HOT water (100°F. max).**
- **Protect the Water Filtration system and piping from freezing. Water freezing in the system will break it.**
- **Your Water Filtration system will withstand up to 125 psi water pressure. If your house water supply pressure is higher than 100 psi during the day (it may reach higher levels at night), install a pressure reducing valve before the system.**



WARNING: Do not use with water that is microbiologically unsafe or of unknown quality without adequate disinfection before or after the system. GNUL30Z and GXUL30Z are certified for cyst reduction and may be used on disinfected water that may contain filterable cysts. The water should be tested periodically to verify that the system is performing satisfactorily.

Small parts remaining after the installation could be a choke hazard. Discard safely.

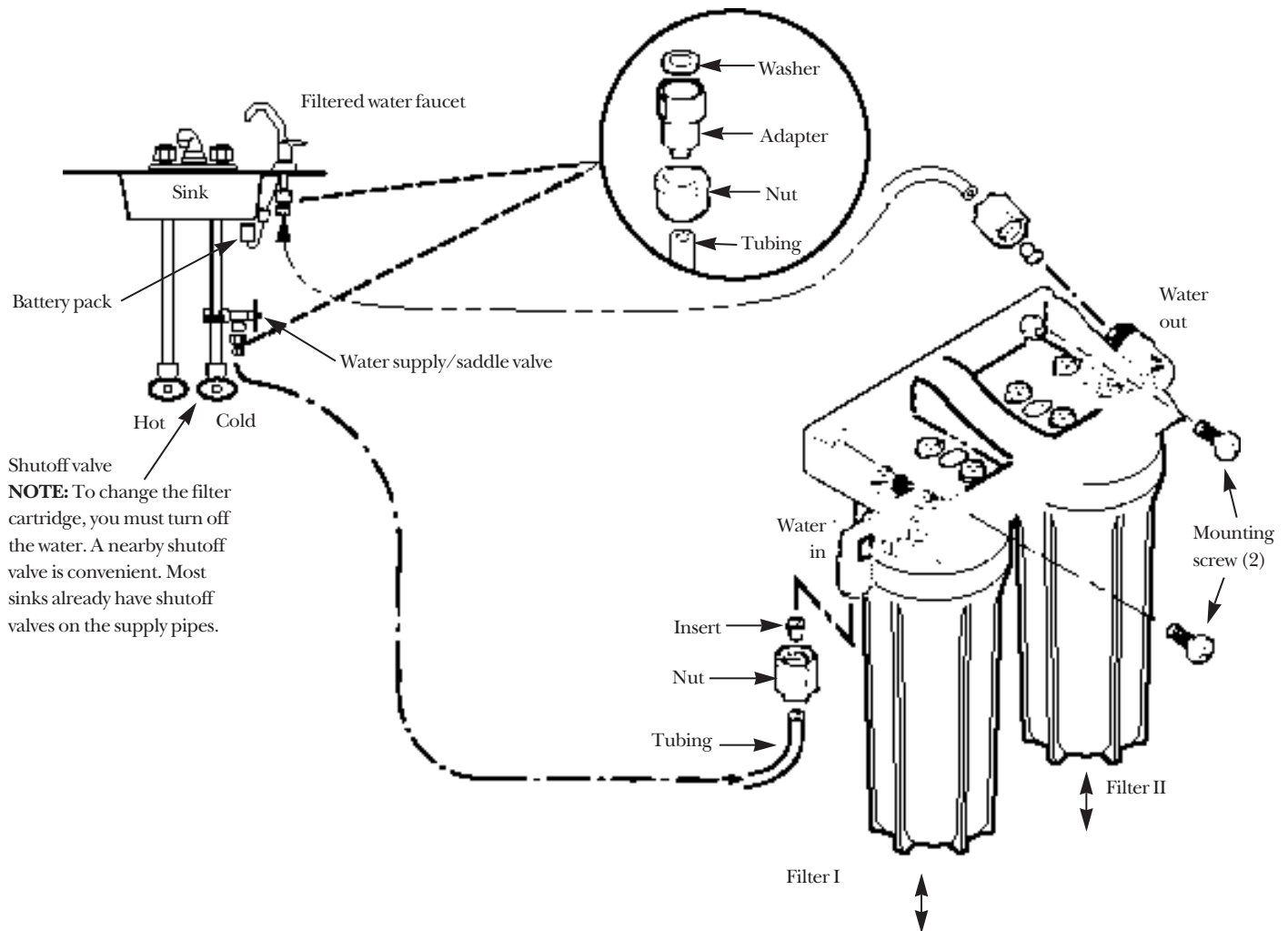
TOOLS AND MATERIALS REQUIRED FOR INSTALLATION

- Slotted and Phillips screw drivers
 - Pliers and adjustable jaw wrench
 - Hand or battery powered drill and 1/4" bit (saddle valve installation)
 - Electric drill and a drill bit to drill a 1/4" hole (type as required) if a mounting hole is needed for the faucet
- ⚠ CAUTION:** To avoid damaging the sink, consult a qualified plumber or installer for drilling procedures. Special drill bits may be needed for porcelain or stainless steel.
- Contents included with the product:
 - Water filter assembly, including mounting bracket and screws
 - Literature (installation instructions, owner's manual, product data sheet, and owner product registration card)
 - Water supply/saddle valve
 - Filtered water faucet, for sink or countertop mounting including an electronic indicator faucet base and battery pack
 - 3/8" tubing and fittings to make all needed connections
 - Pipe joint sealant (Teflon Tape*) for fittings
 - Sump wrench

INSTALLATION OVERVIEW

Locate the drinking water system on the cold water supply pipe, under the kitchen and/or bathroom sink, to filter the cold drinking water.

Fig. 1



Shutoff valve
NOTE: To change the filter cartridge, you must turn off the water. A nearby shutoff valve is convenient. Most sinks already have shutoff valves on the supply pipes.

NOTE: Be sure to allow a minimum space of 1-1/2" under the system for removing the sumps, to change the cartridges.

STEP-BY-STEP INSTALLATION INSTRUCTIONS

FEED WATER SUPPLY

Check and comply with local plumbing codes as you plan, then install a cold feed water supply fitting. For new home installation using standard plumbing fittings, see Fig. 2A below. A typical installation for existing homes using the saddle valve is shown in Fig. 2B below.

A. PREFERRED INSTALLATION

1. Turn off the cold water supply.
2. Complying with plumbing codes, install a fitting on the cold water pipe to adapt 1/4" OD tubing. A typical connection is shown in Fig. 2A. Make sure a shutoff valve is used.

B. OPTIONAL HOME INSTALLATION

When codes permit

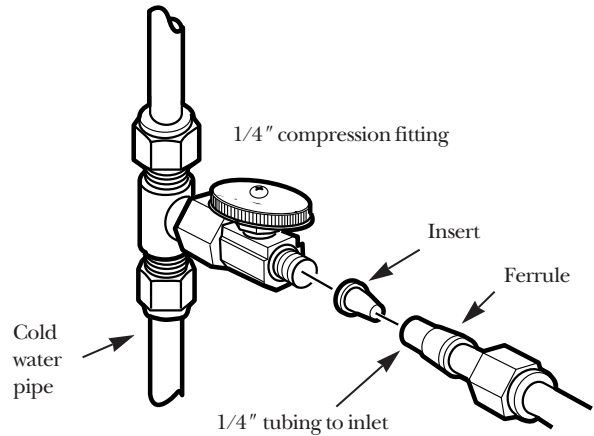
NOTE: Codes in the state of Massachusetts require installation by a licensed plumber and do not permit the use of the saddle valve. For installation, use plumbing code 248-CMR of the Commonwealth of Massachusetts.

1. Turn off the cold water supply and attach saddle valve as shown in Fig. 2B.

⚠ DANGER: To protect yourself from serious injury or fatal shock, use a battery powered hand drill only to make the hole. Do not use an electric drill.

2. Close the water supply/saddle valve by turning the handle clockwise.
3. Open the main water supply valve and several house faucets to purge air from the system. Close faucets when water runs smoothly.

Fig. 2A. PREFERRED WATER SUPPLY CONNECTION
(using compression fitting)



TYPICAL LOCATION

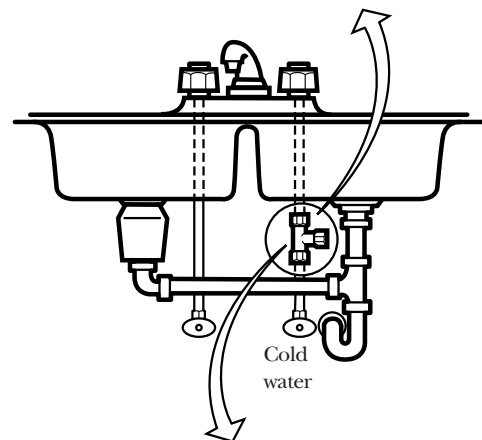
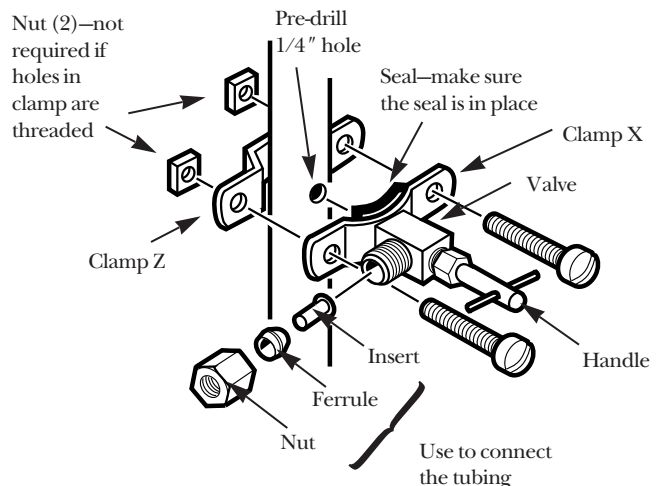


Fig. 2B. OPTIONAL WATER SUPPLY CONNECTION
(using saddle valve)



ELECTRONIC FAUCET INSTALLATION

Be sure there is room underneath the sink to make the needed connections. Select one of the following places to install the faucet:

- IN an existing sink spray attachment or soap dispenser hole
- IN a hole to be drilled in the sink top
- IN a hole to be drilled in the countertop, next to the sink

NOTE: Looking at Fig. 3D, be sure the faucet base will fit flat against the surface at the selected location so the gasket will seal. The base may have to be angled sideways or diagonally.

1. If drilling is needed, make a 1-1/4" dia. hole. **Be sure to use the proper procedure for drilling porcelain or stainless steel. Special drill bits may be needed.**
2. Looking at Fig. 3A, insert a screw into the NON-SLOTTED base mounting hole. Turn a flat nut a few turns onto the screw.
3. Position the base gasket over the mounting hole. Set the base on the gasket, routing the leadwire through the mounting hole. Holding the flat nut under the sink with one finger, tighten the screw until just snug.
4. Turn the remaining flat nut a few turns onto the other screw. Position the screw in the slotted base mounting hole and tighten until snug. Make sure the gasket position is properly aligned and **carefully tighten** both screws until the base is held firmly in place. **Do not overtighten** and break the base.
5. Assemble the top faucet base and hex nut onto the faucet stud (Fig. 3C). Tighten the nut until snug.
6. Insert washer into tubing adapter. Securely tighten to faucet stud.
7. Put a few wraps of Teflon Tape* on the end of the faucet stud. Using the plastic washer, turn the tubing adapter onto the faucet stud and tighten securely.
8. Feed the length of 3/8" OD tubing from the bottom, up through the faucet base. Connect to the tubing adapter as shown in Fig. 3C., tightening the compression nut securely.
9. Remove the short shipping tube and insert the spout into the faucet body.
10. Lower the faucet assembly and lock into place on the faucet base.

Fig. 3A.

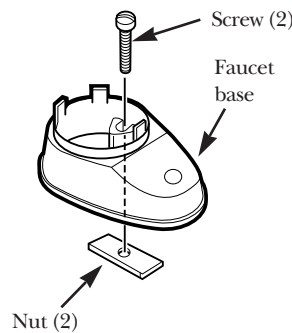


Fig. 3B.

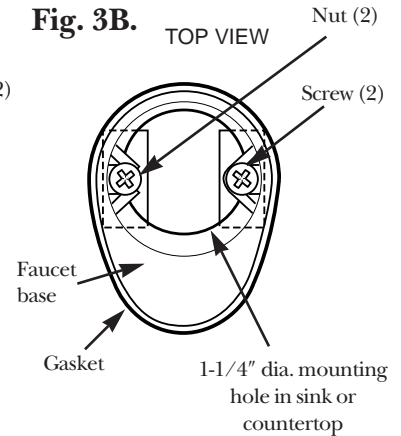


Fig. 3C.

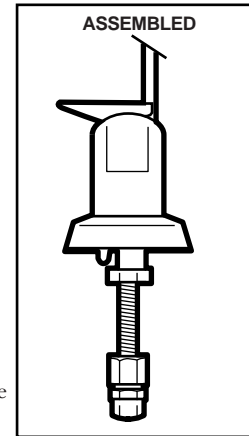
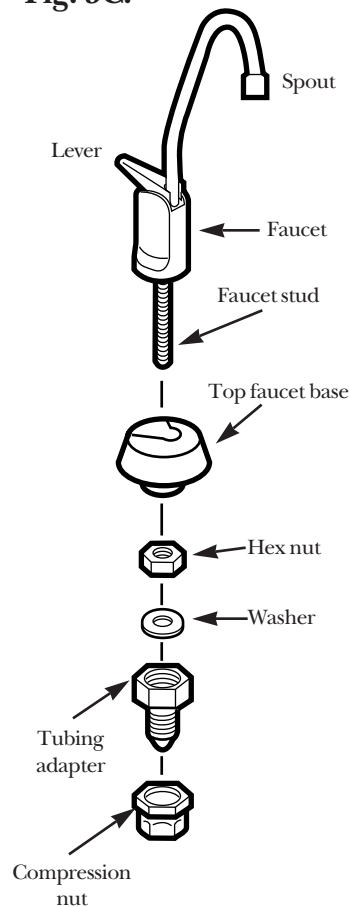
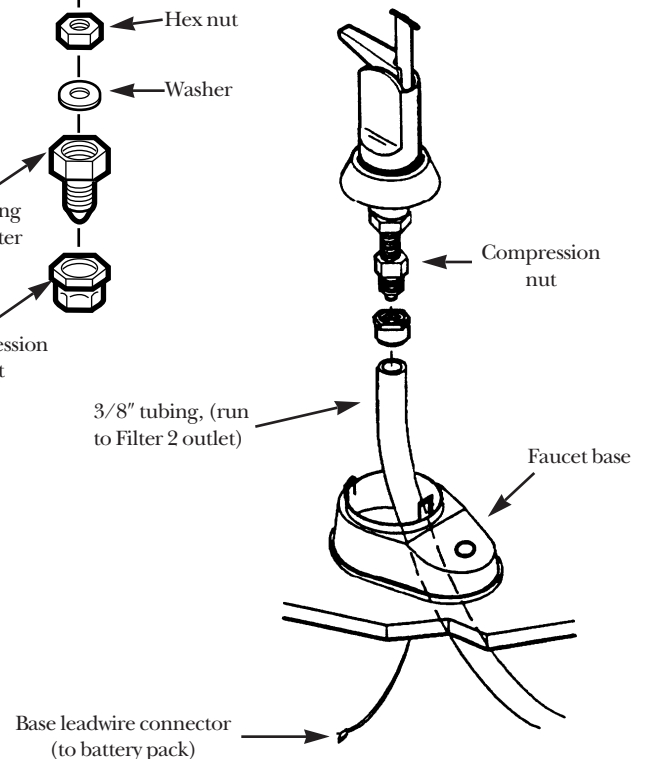


Fig. 3D.



*Teflon Tape is a Registered Trademark of Dupont.

MOUNTING BRACKET TO CABINET WALL

The bracket can be used as a template for marking the location of the mounting screws. When determining the location of the bracket make sure you leave 1-1/2" to 2" of free area under the sumps to allow for sump removal and enough space on either side to make the tubing connections.

MAKE TUBING CONNECTIONS

1. Run the length of 3/8" tubing, connected to the bottom of faucet, to the filter system outlet, Fig. 1 on page 2. Allow enough slack in the tubing to be able to place the system on the floor in front of the sink. Measure and cut the end of the tubing square.
2. Slide a compression nut onto the end of the tubing and push a tubing insert into the tubing.
3. Connect the tubing and tighten the compression nuts securely.
4. Repeat the preceding steps to connect a length of tubing between the filter system inlet and the water supply/saddle valve, Fig. 1 on page 2.

BATTERY PACK INSTALLATION AND CONNECTION

1. In a dry location, within reach of the electronic base 3' leadwire, select a place for the battery pack (see Fig. 1 on page 2). The battery pack attaches to most surfaces, using the included "sticky-back" Velcro™ strip.
2. The battery pack uses two size "AA" batteries. Check to be sure they are installed correctly. Then, remove the paper backing on the Velcro™ strip and secure the pack in place.
3. Fasten electronic base leadwire and battery pack connector together.

FILTER CARTRIDGE INSTALLATION OR REPLACEMENT

⚠ CAUTION: Never remove sumps with water pressure in the filtration system.

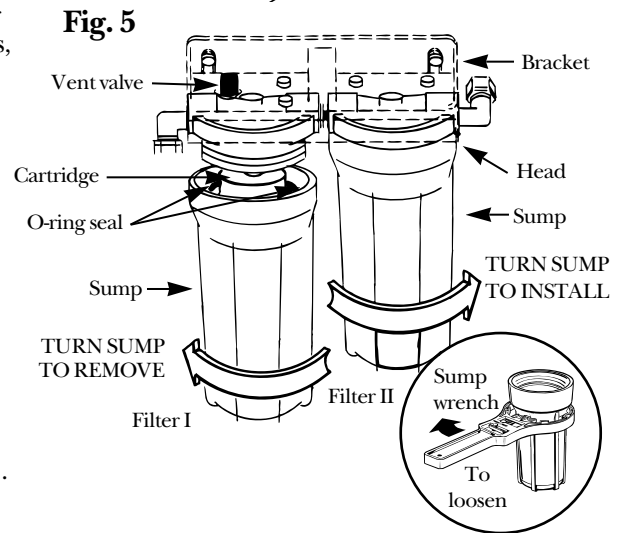
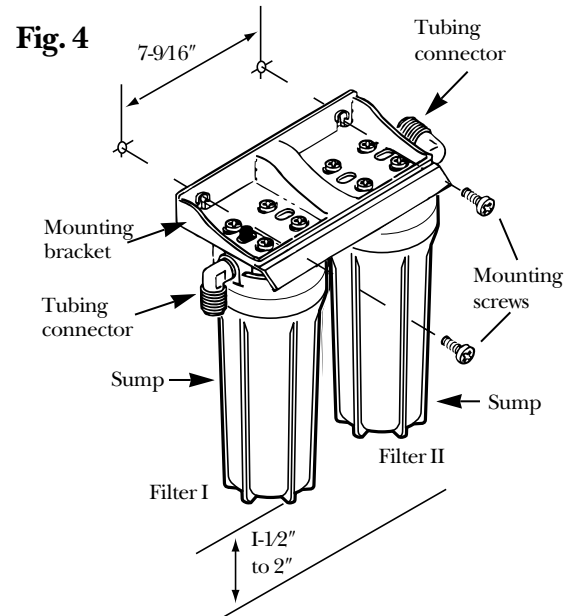
1. **Close the water supply/saddle valve (Fig. 1 and 2A) to the filter.** Press the vent valve on the top of the Filter I head to relieve pressure in the system, Fig. 5, or open the filtered water faucet.
2. Turn the sump off of the filter head as shown (use the sump wrench provided). Be careful, the sump is full of water. Locate and save the large o-ring seal. Remove and discard the used filter cartridge.
3. Be sure the inside of the sump is clean. Thoroughly wash with hot, soapy water and rinse.
4. Remove the wrapper and labels from the new filter cartridge and insert the filter cartridge in the sump. Some cartridges fit either way, while others fit only one way. Observe markings on the end of the cartridge. The sediment/taste and odor filter cartridge should always be placed in the Filter I location.
5. Lightly lubricate the o-ring seal, in the sump, with clean silicone grease. Be sure it is fully seated in its groove.
6. Hold the sump up to the filter head, aligning the center hole in the cartridge with the protrusion on the bottom of the head.

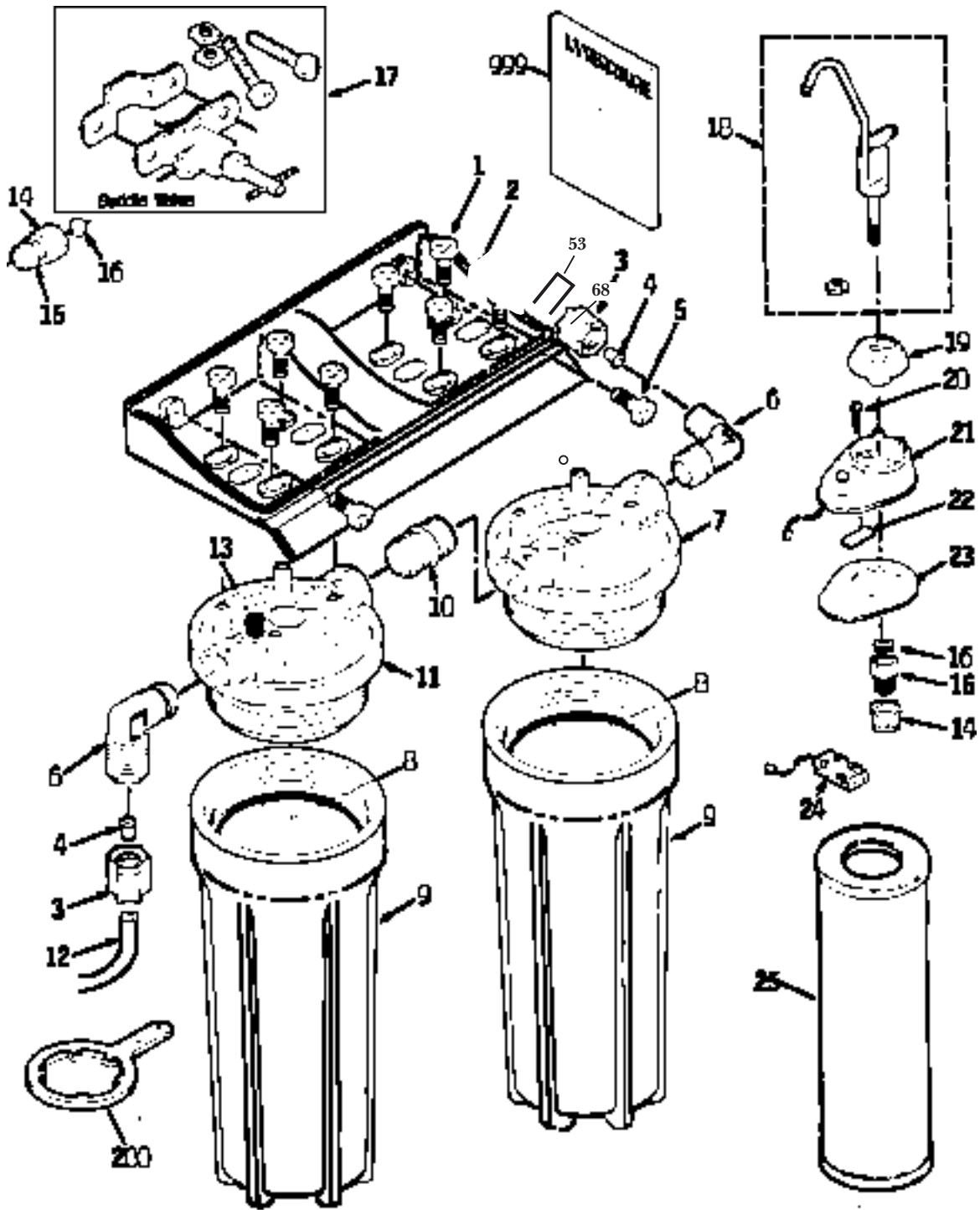
NOTE: If the sump will not tighten up to the head, you may have the cartridge in upside down. Take the cartridge out and check the markings on the end of the cartridge for correct orientation.

7. Being careful not to cross-thread, turn the sump onto the filter head and hand tighten securely (see Fig.4).
8. **Repeat steps 2 through 7 for the other filter.**
9. Open the filtered water faucet. Then, slowly open the water supply/saddle valve and allow the filter housing to fill. While it is filling, press the filter vent valve to release air in the filter.
10. Close the filtered water faucet. Then, check for leaks between the sump and the head.

NOTE: If leaking, turn off the water supply and open the filtered water faucet, or press the vent valve to depressurize the filter. Then, disassemble the filter and check the o-ring for cuts, flat spots, etc., and sealing surfaces for foreign material. Clean the o-ring and lubricate with clean silicone grease. Carefully press into the groove in the sump.

11. Remove and install two new "AA" alkaline batteries in the battery pack. Removing the batteries or momentarily disconnecting the leadwires resets the six month electronic base timer.
12. The filter cartridges contain activated carbon, a black powder. When new, open the filtered water faucet for ten minutes to allow fine, harmless carbon particles to purge from the cartridge. Air suspended in the water may also cause a "cloudy" appearance. This air is harmless and should dissipate quickly.





GENERAL ELECTRIC PARTS CATALOG

G G G G G G G
 N N N X X X X
 U U U E U U U
 L T V M L T V
 3 0 1 0 3 0 1
 0 5 0 1 0 5 0
 Z Z Z Z Z Z Z
 0 0 0 0 0 0 0
 1 1 1 1 1 1 1

REF. NO.	PART NO.	PART DESCRIPTION							
0001	WS02X10001	SCREW #10-14 X 3/4"	8	8	8	8	8	8	8
0002	WS28X10001	BRACKET MOUNTING	1	1	1	1	1	1	1
0003	WS22X10008	NUT 3/8" TUBE	2	2	2	2	2	2	2
0004	WS22X10007	INSERT 3/8" TUBE	2	2	2	2	2	2	2
0005	WS02X10003	SCREW #10-14 X 1/4"	2	2	2	2	2	2	2
0006	WS22X10002	ELBOW 3/8" NPT X 3/8"	2	2	2	2	2	2	2
0007	WS19X10001	HEAD	1	1	1	1	1	1	1
0008	WS03X10001	O-RING 3-3/8" X 3-5/8"	2	2	2	2	2	2	2
0009	WS30X10001	SUMP	2	2	2	2	2	2	2
0010	WS22X10003	NIPPLE 3/8" NPT X 1-1/2"	1	1	1	1	1	1	1
0011	WS19X10002	HEAD ASM. W/VENT	1	1	1	1	1	1	1
0012	WS07X10008	TUBING 3/8" X 20 FT-WH	1	1	1	1	1	1	1
0013	WS24X10001	VENT ASM.	1	1	1	1	1	1	1
0014	WS02X10004	NUT 3/8"	2	2	2	2	2	2	2
0015	WS03X10003	ADAPTER TUBING	2	2	2	2	2	2	2
0016	WS03X10002	WASHER	2	2	2	2	2	2	2
0017	WS15X10008	SADDLE VALVE /SUPPLY	1	1	1	1	1	1	1
0018	WS15X10002	FAUCET ASM.	1	1	1	1	1	1	1
0019	WS10X10001	BASE FAUCET, TOP	1	-	-	-	-	-	-
	WS10X10008	TOP FAUCET BASE BLACK	-	1	1	1	1	1	1
0020	WS02X10007	SCREW #6-32 X 1-3/8"	2	2	2	2	2	2	2
0021	WS10X10002	BASE FAUCET KIT	1	1	1	1	1	1	1
0022	WS02X10008	NUT	2	2	2	2	2	2	2
0023	WS08X10003	GASKET FAUCET	1	1	1	1	1	1	1
0024	WS06X10001	HOLDER BATTERY	1	1	1	1	1	1	1
0025	FXUV	FILTER	-	-	1	1	-	-	1
	FXUT	FILTER	-	1	-	1	-	1	-
	FXUS	FILTER	1	1	1	1	1	1	1
	FXUL	FILTER	1	-	-	1	1	-	-
0200	WX5X140	WRENCH SUMP-ADJ.	1	1	1	1	1	1	1
0999	49-5809-2	PM INSTRUCTION INSTALL	1	1	1	1	1	1	1
	49-5804-2	PM MANUAL USE & CARE	1	1	1	1	1	1	1

Free Manuals Download Website

<http://myh66.com>

<http://usermanuals.us>

<http://www.somanuals.com>

<http://www.4manuals.cc>

<http://www.manual-lib.com>

<http://www.404manual.com>

<http://www.luxmanual.com>

<http://aubethermostatmanual.com>

Golf course search by state

<http://golfingnear.com>

Email search by domain

<http://emailbydomain.com>

Auto manuals search

<http://auto.somanuals.com>

TV manuals search

<http://tv.somanuals.com>