



# Reverse Osmosis Filtration System

**Safety Instructions**  
 Safety Instructions . . . . .2  
 Specification Guidelines . . . . .3

**Installation Instructions**  
 Before Beginning Installation . . . . .4  
 Drain Connections . . . . .9  
 Faucet Drain Tubing and  
 Water Supply Tubing . . . . .9  
 Faucet Installation . . . . .8  
 Feed Water Supply . . . . .6, 7  
 System Assembly . . . . .10  
 Things to Check  
 Before Installation . . . . .5  
 Tools and Materials Required . . . . .4

**Care and Cleaning**  
 Prefilter, Postfilter and  
 RO Cartridge Replacement . . .11, 12  
 Sanitization . . . . .11  
 Water Test Kit . . . . .13

**Operating Instructions**  
 About the RO System . . . . .14, 15

**Troubleshooting Tips** . . . . .16

**Consumer Support**  
 Consumer Support . . . . .Back Cover  
 Parts List/Catalog . . . . .17, 18  
 Warranty . . . . .20



GXRM10G is Tested and Certified to NSF/ANSI Standard 58. See Performance Data Sheet for specific claims.

**Write the model and serial numbers here:**

**Model #** \_\_\_\_\_

**Serial #** \_\_\_\_\_

You can find them on the bracket.

**Owner's Manual  
and Installation**

GXRM10G

## Osmose Inversée Système de Filtration

**Manuel d'utilisation  
et d'installation**

La section française commence à la page 21

## Ósmosis Inversa Sistema de Filtración

**Manual del propietario  
y instalación**

La sección en español empieza en la página 41



# IMPORTANT SAFETY INFORMATION. READ ALL INSTRUCTIONS BEFORE USING.

**⚠ WARNING!** For your safety, the information in this manual must be followed to minimize the risk of property damage or personal injury.



## SAFETY PRECAUTIONS

- Check with your state and local public works department for plumbing and sanitation codes. You must follow these guidelines as you install the Reverse Osmosis system. **Using a qualified installer is recommended.**
- If house water pressure is over the maximum (125 pounds per square inch), install a pressure reducing valve in the water supply line to the Reverse Osmosis system.
- Be sure the water supply conforms with the *Specification Guidelines*. If the water supply conditions are unknown, contact your municipal water company or your local health department for a list of contaminants in your area and a list of laboratories certified by your state to analyze drinking water.
- ⚠ **WARNING:** Before using the Reverse Osmosis system for the first time, the system must be purged. The Reverse Osmosis cartridge contains a food grade preservative that must be purged from the system. The preservative will give product water an unpleasant taste and odor.
- This product reduces fluoride in drinking water. Please consult your dentist if you have questions.
- ⚠ **WARNING:** Do not use with water that is microbiologically unsafe or of unknown quality

without adequate disinfection before the system. Systems certified for cyst reduction may be used on disinfected water that may contain filterable cysts.

This system has been tested for the treatment of water containing pentavalent arsenic (also known as As(V), As(+5) or arsenate) at concentrations of 0.050 mg/L or less. This system reduces pentavalent arsenic, but may not remove other forms of arsenic. This system is to be used on water supplies containing a detectable free chlorine residual or on water supplies that have been demonstrated to contain only pentavalent arsenic. Treatment with chloramine (combined chlorine) is not sufficient to ensure complete conversion of trivalent arsenic to pentavalent arsenic. Please see the Arsenic Facts section of the Performance Data Sheet for further information.

This Reverse Osmosis system contains a replaceable treatment membrane cartridge critical for effective reduction of Total Dissolved Solids. The water should be tested periodically to verify that the system is performing satisfactorily. See the *About the Water Test Kit* section. This system is acceptable for treatment of influent concentrations of no more than 27 mg/L nitrate and 3 mg/L nitrite in combination measured as N and is certified for nitrate/nitrite reduction only for water supplies with a pressure of 280kPa (40 psig) or greater.



## PROPER INSTALLATION AND MAINTENANCE

*This Reverse Osmosis system must be properly installed and located in accordance with the Installation Instructions before it is used.*

- Install or store where it will not be exposed to temperatures below freezing or exposed to any type of weather. Water freezing in the system will damage it. Do not attempt to treat water over 100°F.
- Do not install on **HOT WATER**. The temperature of the water supply to the Reverse Osmosis system must be between the minimum of 40°F and the maximum of 100°F. See the *Specification Guidelines*.
- **Extended non-use of the Reverse Osmosis system.** If the system has not been used for one week or more, open the RO water faucet and allow the system to drain. Close the RO water faucet and allow the system to regenerate the water supply.
- Recommended installation is under the sink. However, the unit can be installed in a remote location, up to 20 feet away from the sink. Additional installation materials may be required. If Reverse Osmosis system is connected to a refrigerator icemaker, a special icemaker connection kit is required (RVKIT). Do not use copper tubing for the connection between the Reverse Osmosis system and the refrigerator.

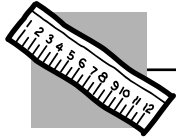
⚠ **WARNING:** Discard all unused parts and packaging material after installation. Small parts remaining after the installation could be a choke hazard.

- Sanitize upon installation of the Reverse Osmosis system and after servicing inner parts, including replacement of prefilter, postfilter and Reverse Osmosis cartridge. It is important to have clean hands while handling inner parts of the system. See the *Sanitizing the Reverse Osmosis System* section.
- This Reverse Osmosis system contains a replaceable component critical to the efficiency of the system. Replacement of the Reverse Osmosis component should be with one of identical specifications, as defined by the manufacturer, to assure the same efficiency and contaminant reduction performance. See *Automatic Shutoff Valve* section on page 14.

**BE SURE TO FOLLOW ALL APPLICABLE STATE AND LOCAL CODES.**



**READ AND FOLLOW THIS SAFETY INFORMATION CAREFULLY.  
SAVE THESE INSTRUCTIONS**

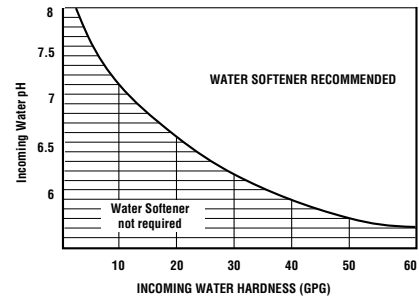


## Product – height 15" width 14" depth 5.5"

The system makes a good supply of drinking water each day.  
How much it will make depends primarily on these things...

<b>Feed water pressure limits—pounds per square inch (psi)</b> .....	40–125 <sup>c</sup>
<b>Feed water temperature limits—minimum/maximum degrees F</b> .....	40–100
<b>Maximum Total Dissolved Solids (TDS)—parts per million (ppm)</b> .....	2000
<b>Maximum water hardness @ 6.9 pH recommended to optimize membrane life—grains per gallon (gpg)</b> .....	10

For water with hardness greater than 10 grains (at 6.9 pH) the use of a softener is recommended. Failure to install a water softener will reduce the life of the Reverse Osmosis membrane. See chart for additional information on the possible need for a water softener.



<b>Maximum iron, manganese, hydrogen sulfide (ppm)</b> .....	<0.1
<b>Chlorine in water supply</b> .....	2.0 ppm maximum allowable <sup>b</sup>
<b>Feed water pH limits (pH)</b> .....	4–10
<b>Product (quality) water, 24 hours—gallons</b> .....	10.0 <sup>a</sup>
<b>Percent rejection of TDS (new membrane)</b> .....	92.4% <sup>a</sup>
<b>Cyst reduction</b> .....	99.99%
<b>Storage tank capacity—gallons</b> .....	4 <sup>d</sup>
<b>Efficiency rating</b> .....	6.7% <sup>e</sup>
<b>Recovery rating</b> .....	16.6% <sup>f</sup>
<b>Automatic shutoff control</b> .....	yes
<b>Prefilter and postfilter</b> .....	(FX12P) Carbon Block
<b>Reverse Osmosis membrane</b> .....	(FX12M) Thin Film Polyamide
<b>Dimensions (inches)</b> .....	height 15" width 14" depth 5.5"

- a. Tested according to NSF/ANSI Standard 58. Source water test parameters are 50 psig, 77°F, pH of 7.5 ± 0.5, and 750 ± 40 ppm total dissolved solids.
- b. Removed by the Reverse Osmosis prefilter. **REGULAR MAINTENANCE IS REQUIRED.** Chlorine will destroy the Reverse Osmosis membrane.
- c. If house water pressure is over 125 psi, install a pressure reducing valve in the water supply line. If house water pressure is under 40 psi, install a Reverse Osmosis booster pump (contact your local plumbing supply company).
- d. Theoretical tank capacity. When tested according to NSF/ANSI Standard 58 at 50 psig inlet pressure, tank capacity is 2.3 gallons.
- e. Efficiency rating means the percentage of the influent water to the system that is available to the user as Reverse Osmosis treated water under operating conditions that approximate typical daily usage.
- f. Recovery rating means the percentage of influent water to the membrane portion of the system that is available to the user as Reverse Osmosis treated water when the system is operated without a storage tank or when the storage tank is bypassed.

# Installation Instructions

## Reverse Osmosis Filtration System

Model GXRM10GBL

Questions? Call 800.GE.CARES (800.432.2737) or Visit our Website at: [www.GEAppliances.com](http://www.GEAppliances.com)

### BEFORE YOU BEGIN

Read these instructions completely and carefully.

- **IMPORTANT** — Save these instructions for local inspector's use.
- **IMPORTANT** — Observe all governing codes and ordinances.
- **Note to Installer** – Be sure to leave these instructions with the Consumer.
- **Note to Consumer** – Keep these instructions for future reference.
- Proper installation is the responsibility of the installer.
- Product failure due to improper installation is not covered under the Warranty.
- A shutoff valve must be available or added near the installation point.

### TOOLS AND MATERIALS REQUIRED FOR INSTALLATION

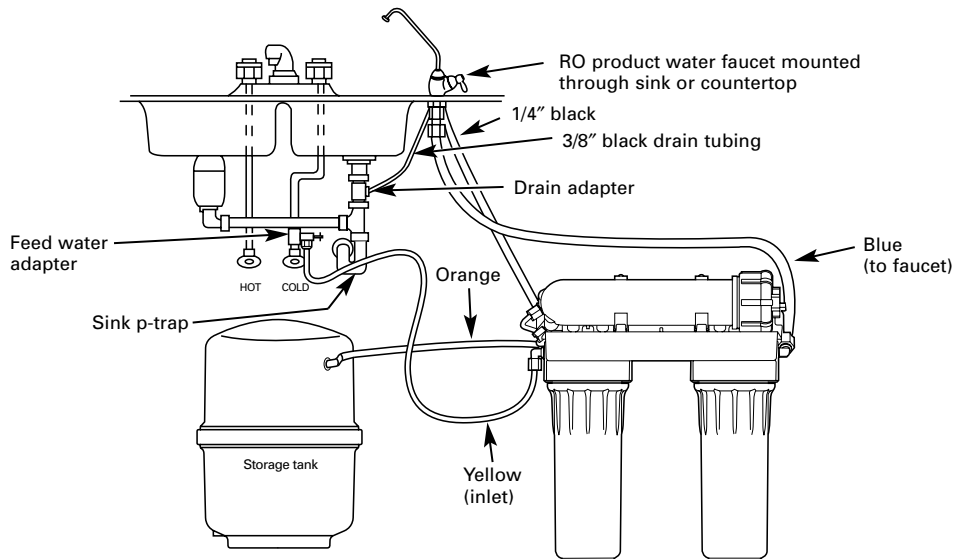
- Drill with 1-1/4" Drill Bit (type as required) if mounting is needed for faucet
- Adjustable Open-End Wrenches
- Phillips and Flat Blade Screwdrivers
- Utility Knife

### CONTENTS INCLUDED WITH PRODUCT

- Reverse Osmosis Assembly and Tubing
- Product Literature (Owner's Manual and Installation) and Performance Data Sheet
- Water Supply Inlet Parts Bag
- Drain Line Adapter
- Storage Tank
- Faucet
- Pipe Thread Tape

# Installation Instructions

## Things to Check Before Beginning Installation



### FEED WATER

The water supply to the undercounter Reverse Osmosis system must have the qualities listed in the specifications (see the *Specifications Guidelines* section). Municipal water supplies most often will have these qualities. Well water may need conditioning—have the water tested by a water analysis laboratory and get their recommendations for treatment.

**CAUTION:** For water with a hardness greater than 10 grains (at 6.9 pH), the use of a softener is recommended. Failure to install a softener will reduce the life of the Reverse Osmosis membrane. See the *Specifications Guidelines* section for additional information on the possible need for a softener.

### DRAIN POINT

A suitable drain point and air gap (**check your local codes**) are needed for reject water from the Reverse Osmosis membrane cartridge.

### RO FAUCET

The RO product water faucet installs on the sink or on the countertop next to the sink. Often, it is installed in an existing sink spray attachment hole or a hole may be drilled. Space is required underneath for tubing to and from the faucet, and for securing the faucet in place. All faucet connections and installation procedures are done on or above the sink or countertop. Refer to illustration above.

### BASEMENT INSTALLATION

If installing in a basement, leave enough tubing in place during installation to be able to move unit to floor for ease at servicing and making filter/membrane changes. Additional tubing and fittings required.

# Installation Instructions

## FEED WATER SUPPLY

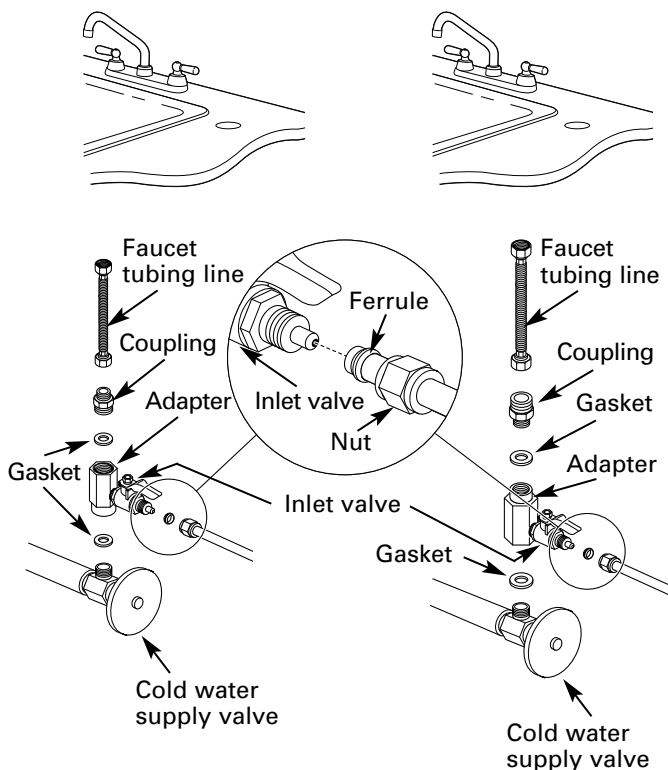
Check and comply with local plumbing codes as you plan, then install a cold feed water supply fitting.

### A. PREFERRED INSTALLATION

1. Close the cold water supply valve under the sink.
2. Unscrew the flexible tubing from the supply valve that connects to the COLD water riser.
3. Install the feed water adapter\* that is the diameter to match either the 1/2" or 3/8" plumbing in your location. **DO NOT OVERTIGHTEN.**  
\*Notice the direction of the feed water adapter and coupling. It is installed differently in order to match either the 1/2" or 3/8" plumbing in your location.

For 3/8" Plumbing

For 1/2" Plumbing



### B. OPTIONAL HOME INSTALLATION

Where codes permit (Requires additional parts)

**\*For 1/2" OD or larger metal tubing only.**

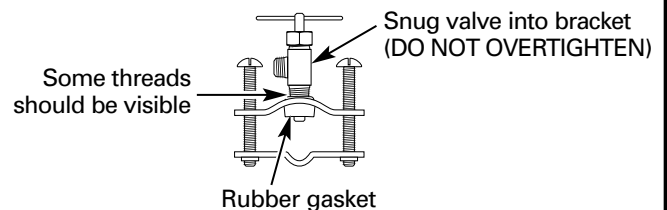
**NOTE: Codes in the state of Massachusetts require installation by a licensed plumber and do not permit the use of the saddle valve. For installation, use plumbing code 248-CMR of the Commonwealth of Massachusetts.**

Saddle valve is available through GE Parts and Services at 1.800.626.2002, part number WS15X10023. Self piercing saddle valves are not recommended.

1. Turn off the cold water supply and attach saddle valve as shown in illustration below.

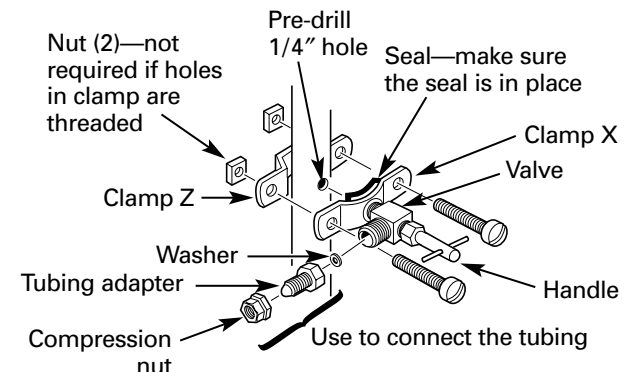
**⚠ DANGER:** Many homes are electrically grounded through the plumbing. To protect yourself from serious injury or fatal shock, use a battery-powered hand drill only to make the hole. **DO NOT USE AN ELECTRIC DRILL.**

2. Close the water supply valve by turning the handle clockwise.
3. Open the main water supply valve and several house faucets to purge air from the system. Close faucets when water runs smoothly.



**Optional water supply connection (using saddle valve)\***

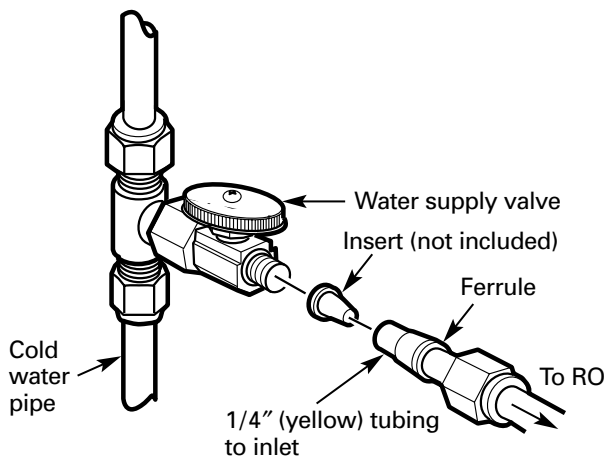
**\*For 1/2" OD or larger metal tubing only.**



# Installation Instructions

## C. INSTALLATION IN A REMOTE LOCATION (requires additional part)

1. Turn off the cold water supply.
2. Complying with plumbing codes, install a fitting on the cold water pipe to adapt 1/4" OD tubing. A typical connection is shown in illustration below. Make sure a water supply valve is used.
3. If the RO unit is to be installed more than 6 feet from the valve, replace the yellow tubing with a longer length of GE 1/4" tubing. A 33 foot length of 1/4" tubing is available through GE Parts and Services at 1.800.626.2002, part number WS07X10018. **DO NOT SUBSTITUTE TUBING OF UNKNOWN QUALITY.**
4. If the RO unit is to be installed more than 6 feet from the faucet, replace the blue tubing with a longer length of GE 3/8" tubing. A 33 foot length is available through GE Parts and Services at 1.800.626.2002, part number WS07X10019. See Faucet Installation on page 8 for more details. **DO NOT SUBSTITUTE TUBING OF UNKNOWN QUALITY.**



If you are using copper tubing, **DO NOT** connect it directly onto the RO unit. Purchase a connector and use a short length of the yellow tubing provided to make final connection to RO. Do not use copper tubing to attach to icemaker or faucet.

# Installation Instructions

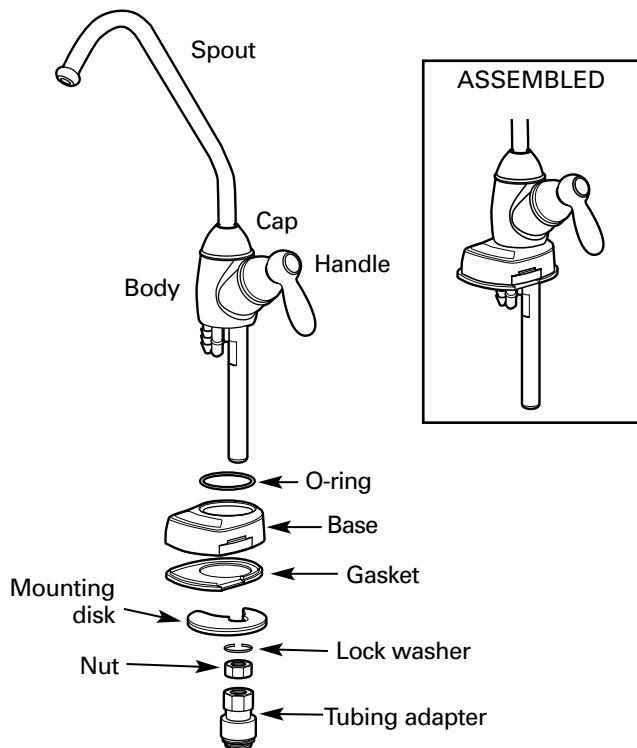
## FAUCET INSTALLATION

Be sure there is room underneath the sink to make the needed connections. Select one of the following locations to install the faucet:

- In an existing sink spray attachment or soap dispenser hole.
- In a hole to be drilled in the sink top.
- In a hole to be drilled in the countertop, next to the sink.

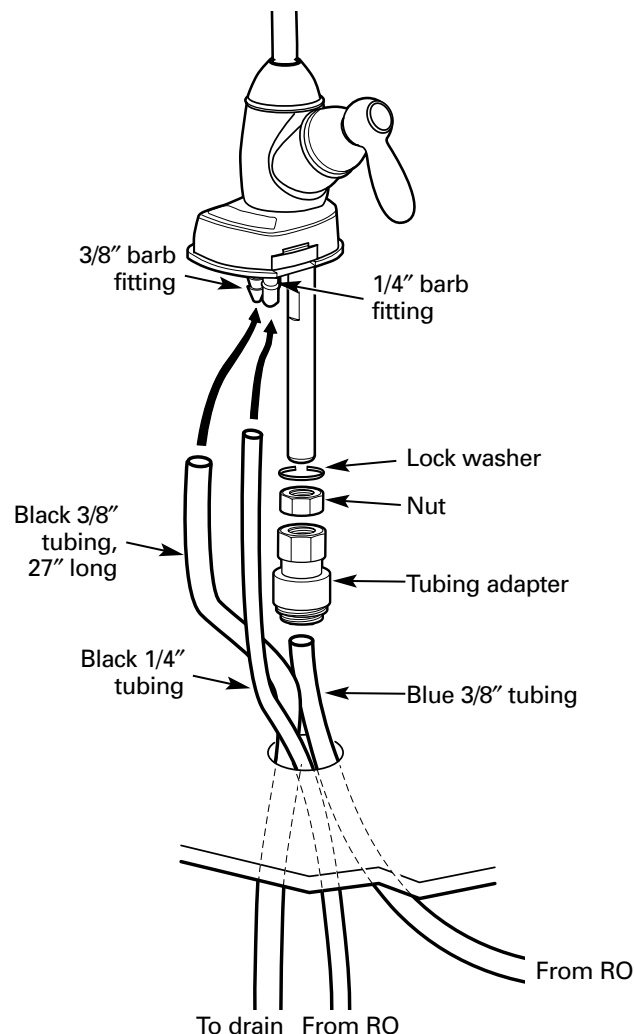
**NOTE:** Be sure the faucet base will fit flat against the surface at the selected location so the gasket will seal.

1. If drilling is needed, make a 1-1/4" dia. hole. **Be sure to use the proper procedure for drilling porcelain or stainless steel.**
2. Insert the faucet spout into the body. Tighten cap until snug.
3. Feed the blue, 1/4" black and 3/8" black tubes up through the hole in the countertop or sink.
4. Feed the two black tubes up through the gasket, faucet base and O-ring.



**NOTE:** For ease of service and maintenance, keep tubing lengths long enough so removal of the Reverse Osmosis system from under the sink is possible.

5. Push the 1/4" black and 3/8" black tubing onto their respective barb fittings on the body.
6. Seat the base and body together. Make sure the O-ring and gasket are in place when the base meets the body. The faucet handle will be at the 3 o'clock position with respect to the base.
7. Slide the lock washer onto the threaded stem of the body, then thread the brass nut onto the stem. Screw about halfway up.
8. Screw the tubing adapter to the threaded stem of the body.
9. Push the blue tubing into the adapter. It should go in about 1/2". Pull on it to make sure it is installed securely.
10. Feed the tubing and stem back down through the 1-1/4" hole.
11. Under the counter, insert the mounting disk above the lock washer and tighten the brass nut until snug.





# Installation Instructions

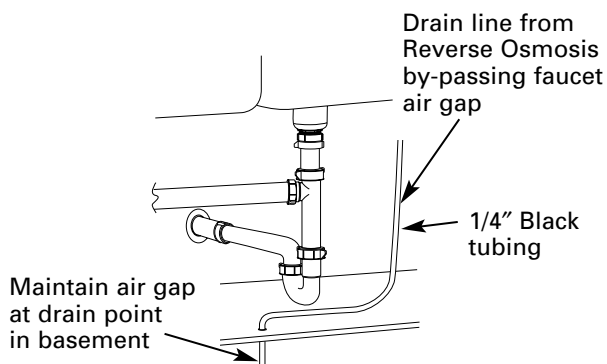
## FILTRATION DRAIN CONNECTION INSTALLATION

Check and comply with all state and local plumbing codes as you plan.

**⚠ CAUTION:** The options detailed in this section are the **ONLY** approved installation configurations. Do not use any drain saddle device.

### OPTION A: BASEMENT ACCESS INSTALLATION

Route the drain line (1/4" black line) **DIRECTLY** from the Reverse Osmosis system to a standpipe in the basement, by-passing the air gap provided in the faucet. The drain line may also be routed in the basement to a floor drain or washtub, provided that the air gap in the basement is maintained. Avoid dips, loops or low spots in the drain line. The basement air gap and drain installation configuration must conform to all local codes. Special air gap fittings are available from your local hardware store to connect the drain line to the top of the standpipe.

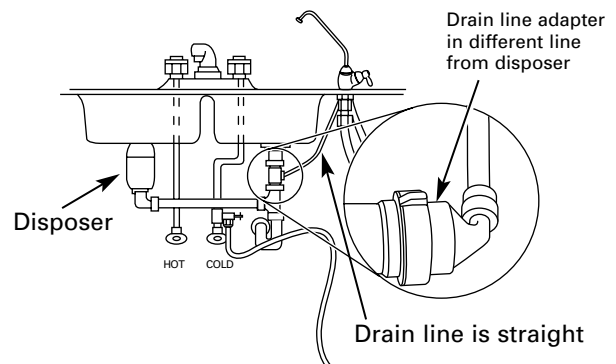


### OPTION B: DRAIN LINE ADAPTER INSTALLATION

**⚠ CAUTION!**  
**DO NOT INSTALL DRAIN LINE ADAPTER DOWNSTREAM FROM DISPOSER.**

Install the provided drain line adapter under the sink as shown. The baffle-tee provided must be in place (purchase and install if necessary) to prevent a clog in the Reverse Osmosis drain line. Route the drain line (3/8" black) from the faucet air gap to the drain line adapter, ensuring that there are no dips, loops or low spots in the line that could result in a clogged drain line.

**The tubing must be cut to length to provide a straight routing from the faucet to the drain.**



Drain noise in the sink drain is normal when the Reverse Osmosis system is operating.

## FAUCET DRAIN TUBING AND WATER SUPPLY TUBING

If **OPTION A: BASEMENT ACCESS INSTALLATION** (see *Filtration Drain Connection Installation* section, above) was used, go to Step 2.

**1** If **OPTION B: DRAIN LINE ADAPTER INSTALLATION** was used, connect the faucet drain tubing by running the 3/8" black tubing from the 3/8" faucet barb to the drain fitting (installed in *Filtration Drain Connection Installation* section, above). Keep this tubing run as short and straight as possible, without loops, dips or low spots. Cut the tubing as needed and insert into the drain fitting.

**2** To connect the water supply tubing: Run the 1/4" yellow tubing from the Reverse Osmosis inlet to the feed water adapter (see illustrations in the *Feed Water Supply* section). Connect the tubing as applies (see *Feed Water Supply* section) and tighten the nut securely.

# Installation Instructions

## REVERSE OSMOSIS SYSTEM ASSEMBLY AND STORAGE TANK INSTALLATION

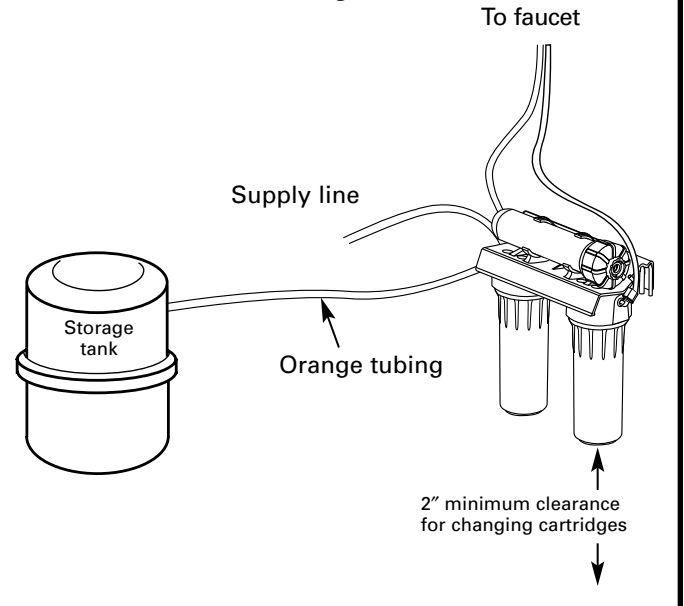
**1** Hold the Reverse Osmosis assembly up to the wall surface where you will install it. Mark locations for the screws. The arrows on the top of the bracket show the location of the screw holes.

**2** Wood screws are included for fastening to a wood surface. Provide other screws as needed.

**3** Hang the Reverse Osmosis assembly on the screws.

**4** Apply pipe thread sealing tape to the tank fitting. Insert into tank threads. Tighten with a wrench.

**5** Connect the tubing to the storage tank: Run the length of 3/8" orange tubing from the tee fitting on the Reverse Osmosis module to the tank inlet fitting.



## NOW THAT YOUR REVERSE OSMOSIS SYSTEM IS INSTALLED...SANITIZE!

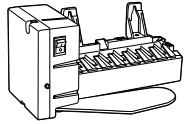
Sanitize upon installation and after servicing inner parts, including replacement of prefilter, postfilter and the Reverse Osmosis cartridge. It is important to wash hands with anti-bacterial soap before handling inner parts of the system. See the *Sanitization* section.

**CAUTION:** If installing unit in new construction, ensure that house plumbing is flushed thoroughly before opening the water supply valve. Also, before sanitizing, be sure to remove all cartridges as described in the *Sanitization* section. Chlorine will destroy the Reverse Osmosis cartridge.

# Installation Instructions

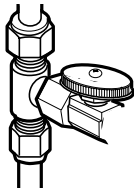
## PREFILTER, POSTFILTER AND RO CARTRIDGE REPLACEMENT PROCEDURE, INCLUDING SANITIZATION

- 1** Turn OFF the icemaker (if attached to the RO system).



- 2** Wash your hands with anti-bacterial soap.

- 3** Turn off water supply to RO system.

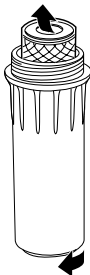


- 4** Turn on RO faucet. Drain tank (may take several minutes). Turn off RO faucet.

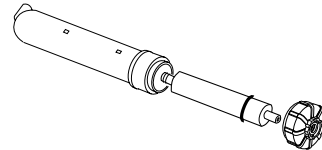
**CAUTION:** Failure to close the water supply valve or tank shutoff valve will cause water to spray or run when sumps are removed.

- 5** Remove the sumps. Be careful—sumps will be full of water.

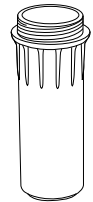
Discard filters. Thoroughly wash sumps with dish soap. Thoroughly wipe inside of heads with a paper towel moistened with dish soap. Rinse well.



- 6** Remove cap from RO cartridge housing (unscrew tubing first, on some models). Use pliers to remove the RO cartridge. Place in a clean plastic bag or discard if replacing. Thoroughly wipe inside of housing and cap with a paper towel or dish brush moistened with dish soap. Rinse well.



- 7** Replace empty postfilter sump.

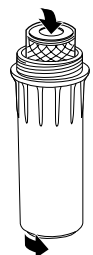


- 8** Fill prefilter sump with water to within 1" of O-ring. Add 2 oz. (4 Tbsp.) ordinary household bleach. Replace prefilter sump.

- 9** Turn on water supply. Open RO faucet until water begins to flow, then close. Allow system to fill for 1 minute.

- 10** Open faucet and allow water to flow for 10 minutes. Close faucet for one minute more, then open and allow water to flow for another 10 minutes, or until bleach odor is gone. Turn off water supply again. Drain RO.

- 11** Remove sumps. Insert filters. Lubricate o-ring with food-grade silicone grease, if necessary. (Do not use petroleum jelly). Tighten sumps securely.

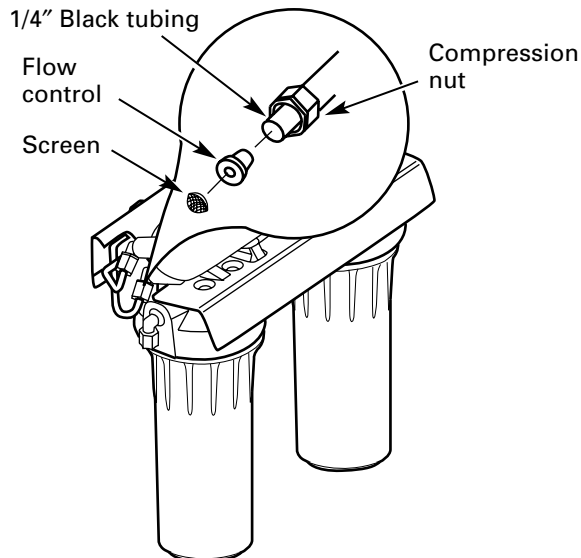


# Installation Instructions

## PREFILTER, POSTFILTER AND RO CARTRIDGE REPLACEMENT PROC., INCLUDING SANITIZATION (cont.)

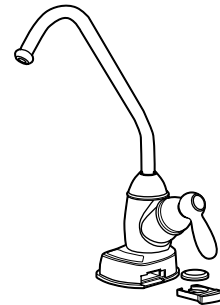
- 12** Remove cap from RO cartridge housing. Install RO cartridge, O-ring end first. Lubricate cover O-ring with food-grade silicone grease, if necessary. (DO NOT use petroleum jelly). Tighten cap securely.

- 13** If you replaced the RO cartridge, also replace the flow control and screen. (Unscrew the black 1/4" line from the fitting. Remove flow control with clean knife edge. Remove screen with a clean toothpick). Tighten the nut hand-tight and then tighten 1/4 turn with pliers. **DO NOT OVERTIGHTEN.**



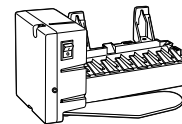
- 14** Turn on water supply. Allow to fill. (May take up to four hours). **Check for leaks.**

- 15** Change the batteries in the filter change indicator:
- Use a small, flat blade screwdriver or coin and carefully open the battery compartment.
  - Install the CR2032 battery (+) side down into the tray.
  - Slide the tray into the base and snap-lock into place.
  - The light will flash 5 times to indicate proper installation. After 6 months of use, the light will flash again, indicating the proper time to replace the filter. Install a new CR2032 battery after 6 months of use.



- 16** If you only replaced the prefilter and postfilter, allow faucet to run 5 minutes to remove harmless carbon particles. If you replaced the RO cartridge, fill and empty the storage tank three times, until taste and odor from food grade membrane preservative is gone.

- 17** Once storage tank is full, turn on icemaker.



To obtain replacement filters, call toll-free GE Appliance Parts at 800.626.2002 (U.S.), 800.663.6060 (Canada–English), 800.361.3869 (Canada–French), or visit the store where you purchased your reverse osmosis system.

<i>Prefilter/Postfilter Cartridge Replacement FX12P</i>	<i>Carbon Block</i>
<i>Reverse Osmosis Cartridge Replacement FX12M</i>	<i>Thin Film Polyamide</i>

**⚠ CAUTION:** Before servicing the Reverse Osmosis system, close the water supply/saddle valve and open the RO water faucet. Allow the system to drain.

## The Water Test Kit

To obtain an independent laboratory water test kit, please call Legend Technical Services at 1.800.826.8553 ext. 47 and leave your contact details. They will contact you to find out what water tests you are interested in, and inform you of the cost of the testing. You will then receive a kit that will include all necessary tests to properly indicate the performance level of your system. Product water should be tested a minimum of every six months.

## About the reverse osmosis system.

### What the Reverse Osmosis System Does

Reverse Osmosis removes Total Dissolved Solids (TDS) and organic matter from water by diffusing it through a special membrane. The membrane separates minerals and impurities from the water and they are flushed to the drain. High quality product water goes directly to the drinking water faucet or to the storage tank. The system makes a good supply of drinking water each day; see *Specification Guidelines*. How much it makes depends on the feed water supply pressure, temperature and quality.

The *carbon prefilter* and *postfilter* are replaceable cartridges. The *prefilter* removes chlorine while also filtering sediments. The *postfilter* removes any other undesirable tastes and odors before you use the water.

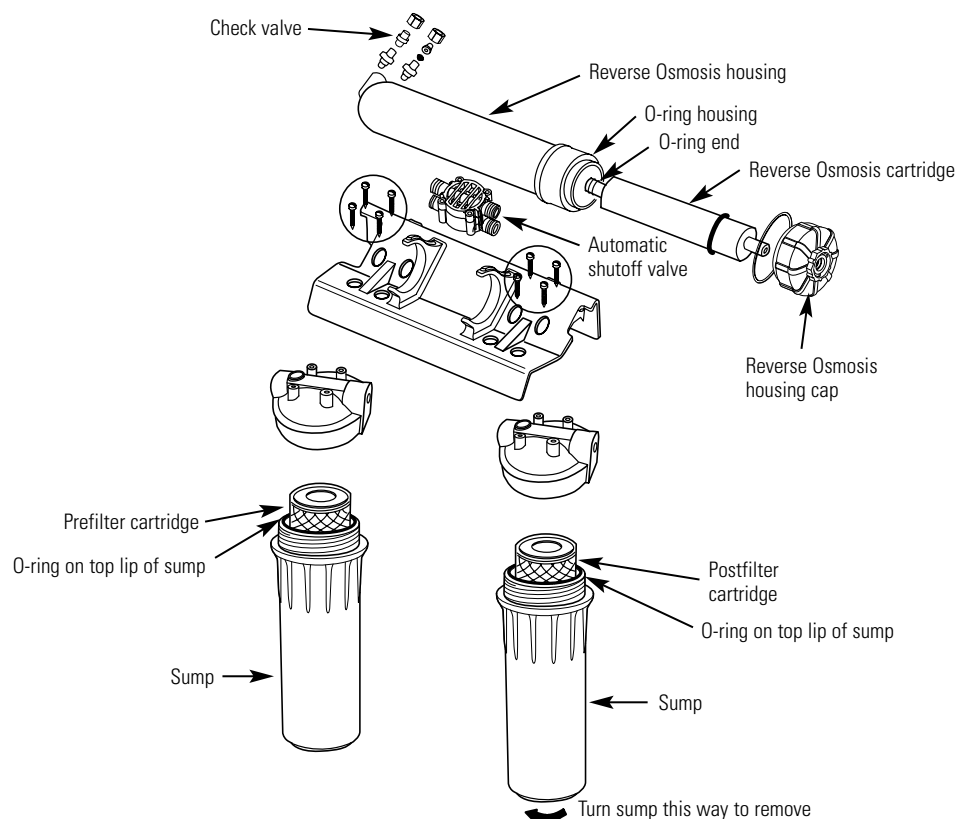
### Description of the Reverse Osmosis System

**Prefilter**—Water from the cold supply pipe is directed to the prefilter cartridge, which is inside the sump. The prefilter is a replaceable sediment cartridge containing activated carbon. The cartridge removes sand, silt, dirt, other sediments and up to 2.0 ppm of chlorine from the feed water. The prefilter reduces chlorine in the feed water because **CHLORINE DESTROYS THE REVERSE OSMOSIS MEMBRANE**. Filtered, clean, chlorine-reduced water flows from the prefilter to the Reverse Osmosis cartridge.

**Storage Tank**—The storage area holds up to 3 gallons of product water. A diaphragm inside the tank keeps water pressurized for fast flow to the faucet when drinking water is needed.

**Check Valve**—A check valve is built into one end of the Reverse Osmosis housing. The check valve prevents a backward flow of product water from the storage area. A backward flow could cause the Reverse Osmosis membrane to rupture.

**Automatic Shutoff Valve**—To conserve water, the drinking water system has an automatic shutoff. When the storage tank has filled to capacity and the drinking water faucet is closed, pressure closes the shutoff. Water flow to the Reverse Osmosis housing is shut off until drinking water is used again, and pressure drops in the Reverse Osmosis system.

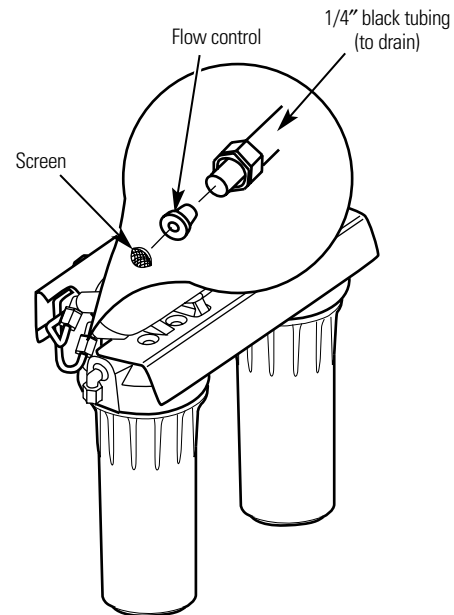


**Reverse Osmosis Cartridge**—The cartridge, inside the Reverse Osmosis housing, includes a tightly wound, special membrane. Water is forced through the cartridge where the membrane removes the dissolved solids and organic matter. High quality product water exits the Reverse Osmosis housing and goes to the storage tank. Reject water, with the dissolved solids and organic matter, leaves the housing and is discharged to the drain through tubing.

**Postfilter**—After leaving the storage area, but before going to the system faucet, product water goes to the postfilter which is inside the sump. The postfilter is also a replaceable sediment cartridge that contains activated carbon. Any remaining tastes, odors or sediments are removed from product water by the postfilter. Clean, high quality drinking water flows through the tubing and to the system faucet.

**System Monitor**—A timer is provided in the faucet base to remind you when it is time to replace your prefilter and postfilter. Replace the filters when the blue light begins to flash in order to protect the RO membrane and keep the system functioning properly. Be sure to remove and replace the battery at the same time to reset the timer.

**Flow Control**—The flow control regulates the flow of water through the Reverse Osmosis cartridge at the required rate to produce high quality water. The control is located in the Reverse Osmosis housing drain port. A small, cone-shaped screen fits over the front end of the flow control to prevent clogging due to sediments in drain water. The flow control and screen should be replaced each time the Reverse Osmosis membrane cartridge is changed.



## Before you call for service...



*Troubleshooting Tips*  
Save time and money! Review the chart first and you may not need to call for service.

<b>Problem</b>	<b>Possible Causes</b>	<b>What To Do</b>
<b>Sounds you might hear</b>	Running water from the unit to a drain.	<ul style="list-style-type: none"> <li>• This is normal.</li> </ul>
<b>Water has air bubbles and is cloudy</b>	Air in system after installation.	<ul style="list-style-type: none"> <li>• Will go away after water runs for a while.</li> </ul>
<b>Chlorine taste and/or odor in the Reverse Osmosis product water</b>	The ppm of chlorine in your water supply exceeds maximum limits and has destroyed the Reverse Osmosis membrane.	<ul style="list-style-type: none"> <li>• If the water supply contains more than 2.0 ppm of chlorine, additional filtering of the water supply to the Reverse Osmosis is needed. Correct this condition before doing maintenance on the Reverse Osmosis system.</li> </ul>
	The prefilter is no longer removing chlorine from the water supply.	<ul style="list-style-type: none"> <li>• Replace the Reverse Osmosis membrane cartridge, flow control, screen, prefilter and postfilter.</li> </ul>
<b>Other taste and/or odor</b>	High quality product water may have a different taste than what you're used to.	<ul style="list-style-type: none"> <li>• This is normal.</li> </ul>
	Low water usage.	<ul style="list-style-type: none"> <li>• Completely drain system and allow to refill.</li> </ul>
	Contamination in product water storage.	<ul style="list-style-type: none"> <li>• Use sanitizing procedures.</li> </ul>
	Prefilter and postfilter need to be changed and/or the Reverse Osmosis cartridge needs to be changed.	<ul style="list-style-type: none"> <li>• Replace the prefilter and postfilter. If taste and odor persists, replace the Reverse Osmosis cartridge, flow control and screen.</li> </ul>
<b>Water leaking from faucet air gap hole</b>	Drain side of faucet air gap (3/8" tubing) plugged, restricted or incorrectly connected to the drain point.	<ul style="list-style-type: none"> <li>• Inspect and eliminate restriction or plug. It is important that there are no dips, loops or low spots in the drain line from the faucet air gap to the drain pipe. Refer to the <i>Filtration Drain Connection Installations</i> section, for proper drain connection. If drain line adapter was used as the drain point, periodic inspection/cleaning is recommended.</li> </ul>
<b>System makes product water slowly</b>	This is normal.	<ul style="list-style-type: none"> <li>• Water flow rate will be lower than your regular faucet.</li> </ul>
	Water supply to the Reverse Osmosis system not within specifications.	<ul style="list-style-type: none"> <li>• Increase water pressure, precondition the water, etc., as needed to conform to specification guidelines before doing maintenance on the Reverse Osmosis system.</li> </ul>
	Prefilter cartridge plugged with sediments and/or the Reverse Osmosis cartridge plugged with sediments.	<ul style="list-style-type: none"> <li>• Replace the prefilter and postfilter. If rate does not increase, replace the Reverse Osmosis cartridge, flow control and screen.</li> </ul>
<b>Faucet light blinking</b>	Prefilter and postfilter need replacing.	<ul style="list-style-type: none"> <li>• Replace filters. Don't forget to sanitize the system when replacing filters.</li> </ul>
	Timer was not reset when filters were replaced.	<ul style="list-style-type: none"> <li>• Remove and replace battery in faucet base.</li> </ul>
<b>Six months have passed and faucet light is not blinking</b>	Battery may be dead.	<ul style="list-style-type: none"> <li>• Replace battery. <b>NOTE:</b> Replacing battery resets the six-month timer, so be sure to replace prefilter and postfilter if it is time to do so.</li> </ul>
	Battery may have been removed recently.	<ul style="list-style-type: none"> <li>• Any time the battery is removed and reinserted, the six-month timer starts over again. Do not remove battery unless you wish to restart the timer.</li> </ul>





# General Electric parts catalog.

Safety Instructions

Operating Instructions

Installation Instructions

Troubleshooting Tips

Consumer Support

REF. NO.	PART NO.	PART DESCRIPTION	GXRM10GBL
0001	WS15X10037	FAUCET BODY & SPOUT	1
0002	WS22X10037	3/8" QUICK CONNECT—FAUCET	1
0003	WS22X10005	1/4" NUT	10
0004	WS22X10026	3/8" NPT X 1/4" NUT ELBOW	2
0005	WS22X10006	1/4" TUBE INSERT	8
0006	WS22X10038	VALVE—AUTO SHUT OFF	1
0007	WS22X10039	1/4" X 3/8" X 3/8" TUBE TEE	1
0008	WS22X10008	3/8" NUT	4
0009	WS22X10007	3/8" TUBE INSERT	4
0010	WS22X10040	CHECK VALVE—1/4" INSERT	1
0011	WS22X10041	1/8" NPT X 1/4" FITTING	1
0012	WS03X10016	FLOW CONTROL	1
0013	WS03X10015	CONE SCREEN	1
0014	WS22X10002	3/8" NPT X 3/8" NUT ELBOW	2
0015	FX12M	RO MEMBRANE	1
0016	WS03X10045	O-RING—RO MEMBRANE HSNG	1
0017	WS31X10025	CAP—RO MEMBRANE HSNG	1
0018	WS22X10042	1/8" NPT X 1/4" FITTING	1
0019	WS22X10043	ELBOW—1/4" STEM X 1/4"	1
0020	WS20X10006	HOUSING—RO MEMBRANE	1
0021	WS28X10039	BRACKET	1
0022	WS22X10044	CONNECTOR—3/8" X 3/8" MNPT	1
0023	WS32X10019	STORAGE TANK	1
0024	WX5X140	WRENCH	1
0025	WS03X10038	O-RING, SUMP HOUSING	2
0026	FX12P	CARBON BLOCK CARTRIDGE	2
0027	WS20X10007	SUMP HOUSING	2
0028	WS18X10006	DRAIN LINE ADAPTER—DLA9	1
0029	WS18X10009	ADAPTER KIT—FEED WATER	1
0030	WS10X10028	FAUCET BASE ASM	1
0031	WS02X10031	WASHER & NUT—FAUCET	1
0033	WS02X10032	SCREWS, BRACKET	8
0034	WS31X10026	HOUSING HEAD	2
0035	WS15X10023	SADDLE VALVE	1
0036	WS07X10018	TUBING—1/4" X 33'—WHITE	1
0037	WS07X10019	TUBING—3/8" X 33'—WHITE	1
0038	WS01X10013	NITRATE TEST STRIP	1
0039	WS02X10033	MOUNTING SCREWS	2
9999	49-50106	OWNER'S MANUAL/INSTALLATION INSTRUCTIONS	1

To obtain replacement parts, call toll-free 800.626.2002 (U.S.), 800.663.6060 (Canada—English), 800.361.3869 (Canada—French).

\* **NOTE:** Codes in the State of Massachusetts require installation by a licensed plumber and do not permit the use of the saddle valve. For installation, use plumbing code 248-CMR of the Commonwealth of Massachusetts.

# **Notes.**

---

***Safety Instructions***

***Operating Instructions***

***Installation Instructions***

***Troubleshooting Tips***

***Consumer Support***

# GE Reverse Osmosis System Warranty.



All warranty service provided by our SmartWater™ Authorized Servicer Network. To schedule service on-line, 24 hours a day, contact us at [www.GEAppliances.com](http://www.GEAppliances.com), or call toll-free 800.GE.CARES (U.S.), or 866.777.7627 (Canada).

Staple your receipt here.  
Proof of the original purchase date is needed to obtain service under the warranty.

## For The Period Of:

## GE Will Replace:

### One Year

From the date of the original purchase

**Any part** of the Reverse Osmosis Filtration System which fails due to a defect in materials or workmanship. During this **limited one-year warranty**, GE will also provide, **free of charge**, all labor (does not include service trip to home) to replace the defective part. All warranty service will be provided by a GE SmartWater™ Authorized Servicer.

## What GE Will Not Cover:

- Service trips to your home to teach you how to use the product.
- Improper installation, delivery or maintenance.
- Failure of the product if it is abused, misused, or used for other than the intended purpose.
- Filters or membranes.
- Defects that result from improper installation or damage not caused by GE.
- Liability on the part of GE under this or any other warranty for any indirect or consequential damage.
- Products that are used for commercial or industrial applications.
- Use of this product where water is microbiologically unsafe or of unknown quality, without adequate disinfection. Systems certified for cyst reduction may be used on disinfected water that may contain filterable cysts.
- Replacement of house fuses or resetting of circuit breakers.
- Damage to the product caused by accident, fire, floods or acts of God.
- Incidental or consequential damage caused by possible defects with this appliance.
- Damage caused after delivery.

*This warranty is extended to the original purchaser and any succeeding owner for products purchased for home use within the USA. In Alaska, the warranty excludes the cost of shipping or service calls to your home.*

*Some states do not allow the exclusion or limitation of incidental or consequential damages. This warranty gives you specific legal rights, and you may also have other rights which vary from state to state. To know what your legal rights are, consult your local or state consumer affairs office or your state's Attorney General.*

**THIS WARRANTY IS INTENDED TO BE IN LIEU OF ALL OTHER WARRANTIES, WHETHER EXPRESS OR IMPLIED, INCLUDING THE WARRANTIES OF MERCHANTABILITY AND FITNESS FOR A PARTICULAR PURPOSE.**

**Warrantor: General Electric Company. Louisville, KY 40225**

# La section Française.

---

## *Mesures de sécurité*

Mesures de sécurité . . . . .	22
Guide des spécifications . . . . .	23

## *Instructions d'installation*

Alimentation d'eau . . . . .	26, 27
Avant de commencer l'installation . . . . .	24
Conduite pour la vidange du robinet et pour l'alimentation d'eau . . . . .	30
Installation de l'ensemble du système . . . . .	30
Installation du robinet . . . . .	28
Outils et matériel requis . . . . .	24
Points à vérifier avant de commencer l'installation . . . . .	25
Raccordements à la conduite de vidange . . . . .	29

## *Entretien et nettoyage*

Désinfection . . . . .	31
Remplacement des cartouches pré-filtre, post-filtre et osmose inversée . . . . .	31, 32
Trousse pour le test d'eau . . . . .	33

## *Fonctionnement*

Au sujet du système de filtration par osmose inversée . . . . .	34, 35
--	--------

<i>Conseils de dépannage</i> . . . . .	36
--	----

## *Soutien au consommateur*

Garantie . . . . .	39
Liste des pièces/catalogue . . . . .	37, 38
Soutien au consommateur . . . . .	40

**Numéro de modèle :** \_\_\_\_\_

**Numéro de série :** \_\_\_\_\_

Vous les trouverez sur le support du corps de filtre.

Mesures de sécurité

Fonctionnement

Installation

Conseils de dépannage

Service à la clientèle

# MESURES DE SÉCURITÉ IMPORTANTES. LISEZ D'ABORD TOUTES LES INSTRUCTIONS.

**⚠ AVERTISSEMENT!** Pour votre sécurité, suivez les instructions fournies dans le présent manuel afin de minimiser les risques de dommages au matériel ou de blessures corporelles.



## PRÉCAUTIONS DE SÉCURITÉ

- Vérifiez avec les travaux publics locaux ou de votre état quels sont les codes régissant la plomberie et les aménagements sanitaires. Vous devez vous y conformer lors de l'installation du système de filtration par osmose inversée. **Il est recommandé de faire appel à un installateur qualifié.**
- Si la pression de l'eau arrivant à l'habitation dépasse la valeur maximale de 125 livres/po<sup>2</sup>, montez un détendeur dans la conduite d'arrivée de l'eau au système de filtration.
- Assurez-vous que l'eau est conforme au *Guide des spécifications*. Si les conditions de l'eau ne sont pas connues, contactez votre compagnie municipale de fourniture d'eau ou votre service de santé local pour obtenir une liste des agents de contamination de votre région et une liste des laboratoires homologués par votre état pour l'analyse de l'eau de table.

**⚠ AVERTISSEMENT :** Avant la première utilisation du système de filtration, celui-ci doit être purgé. La cartouche du système de filtration par osmose inversée contient un préservatif pour aliments qui doit être purgé du système. Ce préservatif donne à l'eau un goût et une odeur désagréables.

- Cet appareil réduit la fluoration de l'eau de table. Veuillez consulter votre dentiste pour toute question à ce sujet.

**⚠ AVERTISSEMENT :** N'utilisez pas l'appareil avec de l'eau qui n'est pas sûre microbiologiquement ou de qualité inconnue sans qu'elle n'ait été désinfectée

avant l'entrée ou la sortie de celui-ci. Les appareils homologués pour la réduction des spores peuvent être utilisés pour le filtrage de l'eau qui a été désinfectée pouvant contenir des spores filtrables.

Ce système a été testé pour le traitement de l'eau contenant de l'arsenic pentavalent (aussi appelé As(V), As(+5) ou arséniate) à une concentration de 0,050 mg/L ou moins. Ce système réduit l'arsenic pentavalent, mais peut ne pas retirer d'autres formes d'arsenic. Ce système doit être utilisé dans les alimentations en eau contenant du chlore libre résiduel détectable ou dans les alimentations en eau qui se sont avérées contenir seulement de l'arsenic pentavalent. Le traitement à la chloramine (chlore combiné) n'est pas suffisant pour assurer la conversion complète de l'arsenic trivalent en arsenic pentavalent. Veuillez lire la section *Faits sur l'arsenic* de la fiche technique de performance pour des renseignements supplémentaires.

Cet appareil comporte une cartouche avec membrane remplaçable essentielle pour réduire efficacement les matières solides totalement dissolvables. Il est nécessaire de tester l'eau périodiquement afin de s'assurer que l'appareil fonctionne de manière satisfaisante. Voyez la section *Au sujet de la trousse de test de l'eau*. Cet appareil est acceptable pour des concentrations maximum de nitrates à 27 mg par litre et de nitre à 3 mg par litre en combinaison appelée N. Il est acceptable pour la réduction de nitrate/nitre dans de l'eau dont la pression est égale ou supérieure à 280kPA (40psig).



## INSTALLATION ET ENTRETIEN DU SYSTÈME

Avant son utilisation, le système de filtration doit être correctement installé et positionné conformément aux instructions d'installation.

- Installez l'appareil ou entreposez-le de telle façon qu'il ne soit pas exposé à des températures inférieures au point de congélation ou non à l'abri de tout type de conditions météorologique. Il sera endommagé par l'eau qui se congèle. N'essayez pas de traiter de l'eau dont la température est supérieure à 100 degrés F.
- Ne branchez pas l'appareil sur une **CONDUITE D'EAU BOUILLANTE**. La température de l'eau arrivant au système doit se trouver entre 40°F au minimum et 100°F au maximum. Voyez le *Guide des spécifications*.
- **Période prolongée de non-utilisation du système de filtration.** Si le système n'a pas été utilisé au cours d'une période d'une semaine ou plus, ouvrez le robinet d'eau RO pour permettre la vidange de celui-ci. Fermez le robinet pour permettre au système de régénérer l'alimentation en eau.
- L'installation recommandée est sous l'évier. Toutefois, l'unité peut être installée dans un lieu éloigné, jusqu'à une distance de 6 m (20 pi) de l'évier. Du matériel d'installation supplémentaire peut être nécessaire. Si le système de filtration par osmose inversée est raccordé à la machine à glaçons du réfrigérateur, un kit spécial pour la connexion de la machine à glaçons est nécessaire (RVKIT). N'utilisez pas de tubes en cuivre pour la connexion entre le système de filtration par osmose inversée et le réfrigérateur.

**⚠ AVERTISSEMENT :** Débarrassez-vous de tous les composants non-utilisés ainsi que de l'emballage après l'installation. Les petites pièces qui restent après l'installation peuvent constituer un danger d'étouffement si ingérées.

- Désinfectez les éléments au cours de l'installation et après l'entretien des composants internes. Ceci inclut le remplacement de l'élément de pré-filtrage, l'élément du post-filtrage et de la cartouche de l'appareil. Il est important que les mains soient propres lors de la manipulation des éléments internes du système. Voyez la section *Désinfection du système de filtration par osmose inversée*.
- Ce système d'osmose inverse contient un élément remplaçable essentiel à son efficacité. Vous ne pouvez remplacer l'élément d'osmose inverse que par un élément ayant des caractéristiques techniques identiques, telles que définies par le fabricant, pour assurer le même rendement en matière d'efficacité et de réduction de contaminants. Consultez la section *Robinet d'arrêt automatique*, page 34.

**ASSUREZ-VOUS QUE VOUS SUIVEZ TOUTS  
DE VOS CODES D'ÉTAT ET LOCAUX.**



VEUILLEZ LIRE ET SUIVRE ATTENTIVEMENT  
CES MESURES DE SÉCURITÉ.

**CONSERVEZ CES INSTRUCTIONS**

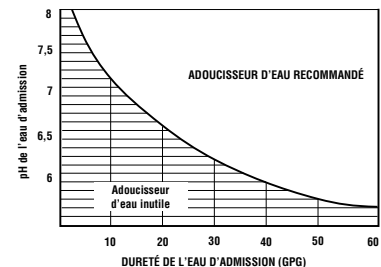


**Produit – hauteur 38,1 cm (15 po) largeur 35,6 cm (14 po) profondeur 14 cm (5,5 po)**

L'appareil produit une bonne quantité d'eau potable quotidiennement. Cette quantité est fonction des données suivantes...

- Limites de pression de l'eau à l'admission—livres par pouce carré (psi) . . . . . 40–125<sup>c</sup>**
- Limites de température de l'eau à l'admission—min/max en degrés F . . . . . 40–100**
- Maximum de matières solides totalement dissolvables (TDS)—parties par millions (ppm) . . . . . 2000**
- Dureté maximale de l'eau @ 6,9 pH conseillé pour optimiser la vie de membrane—grains par gallon (gpg) . . . . . 10**

Lorsque la dureté de l'eau est supérieure à 10 grains (à un pH de 6,9), il est recommandé d'utiliser un adoucisseur. Si un adoucisseur n'est pas installé, la durée de vie de la membrane du système de filtration par osmose inversée est réduite. Voyez le graphique pour les informations complémentaires concernant la nécessité d'installer un adoucisseur d'eau.



- Quantité maximale de fer, de manganèse, d'hydrogène sulfuré (en ppm) . . . . . <0,1**
- Chlore dans l'eau . . . . . 2,0 ppm admissible maximum<sup>b</sup>**
- Limites pH de l'eau d'admission . . . . . 4–10**
- Production d'eau (de qualité) en gallons par 24 heures . . . . . 38 L (10 gallons)<sup>a</sup>**
- Pourcentage de rejet des TDS (nouvelle membrane) . . . . . 92,4%<sup>a</sup>**
- Pourcentage de réduction des spores . . . . . 99,99%**
- Capacité du réservoir—gallons . . . . . 4<sup>d</sup>**
- Notation d'efficacité . . . . . 6,7%<sup>e</sup>**
- Notation de recouvrement . . . . . 16,6%<sup>f</sup>**
- Commande d'arrêt automatique . . . . . oui**
- Pré-filtre et post-filtre . . . . . (FX12P) Bloc de charbon**
- Membrane du système de filtration par osmose inversée . . . . . (FX12M) Pellicule mince en polyamide**
- Dimensions . . . . . hauteur 38,1 cm (15 po)  
largeur 35,6 cm (14 po)  
profondeur 14 cm (5,5 po)**

- a. Lorsque testé conformément à la norme 58 de NSF/ANSI. Pour le test, les paramètres de l'eau d'origine sont de 50 psig, 77°F, un pH de 7,5 ± 0,5 et une valeur ppm (parties par million) de 750 ± 40 de matières solides totalement dissoutes.
- b. Éliminé par le pré-filtre du système de filtration par osmose inversée. **UN ENTRETIEN RÉGULIER EST NÉCESSAIRE.** Le chlore détruira la membrane du système de filtration par osmose inversée.
- c. Si la pression de l'eau arrivant à l'habitation dépasse 125 livres/po<sup>2</sup>, montez un détendeur dans la conduite d'arrivée de l'eau au système de filtration. Si cette pression est inférieure à 40 livres/po<sup>2</sup>, installez une pompe d'appoint sur l'appareil de filtration (contactez votre magasin de plomberie local).
- d. Capacité théorique du réservoir. Essayé conformément à la norme 58 de NSF/ANSI à une pression de 50 livres par pouce carré, le réservoir a une capacité de 2,3 gallons.
- e. La notation d'efficacité indique le pourcentage d'eau entrant dans le système, qui est disponible pour l'utilisateur comme eau traitée par osmose inverse dans des conditions d'exploitation qui avoisinent celles d'une utilisation quotidienne normale.
- f. La notation de recouvrement indique le pourcentage d'eau entrant dans la partie membrane du système, qui est disponible pour l'utilisateur comme eau traitée par osmose inverse quand le système fonctionne sans réservoir de stockage ou quand l'eau ne passe pas par le réservoir de stockage.

# Instructions d'installation

Systeme de filtration par osmose inversee

Modele GXRM10GBL

Si vous avez des questions, appelez le 1.800.361.3400 ou visitez notre site Web à l'adresse :  
[www.electromenagersge.ca](http://www.electromenagersge.ca)

## AVANT DE COMMENCER

**Veillez lire toutes les directives attentivement.**

- **IMPORTANT** — Conservez ces instructions pour l'inspecteur local.
- **IMPORTANT** — Respectez toutes les ordonnances et les codes locaux.
- **Avis à l'installateur** – Assurez-vous de laisser ces instructions au consommateur.
- **Avis au consommateur** – Conservez ces instructions pour référence future.
- L'installateur est responsable de bien installer.
- Toute panne du produit due à une mauvaise installation n'est pas couverte par la garantie.
- Un robinet d'arrêt doit être disponible ou ajouté à côté du point d'installation.

## OUTILLAGE ET MATÉRIEL REQUIS POUR L'INSTALLATION

- Perceuse et mèche de perceuse de 1-1/4 po (du type nécessaire) si le montage est requis pour le robinet
- Clefs à molette réglables
- Tournevis normaux et Phillips
- Couteau

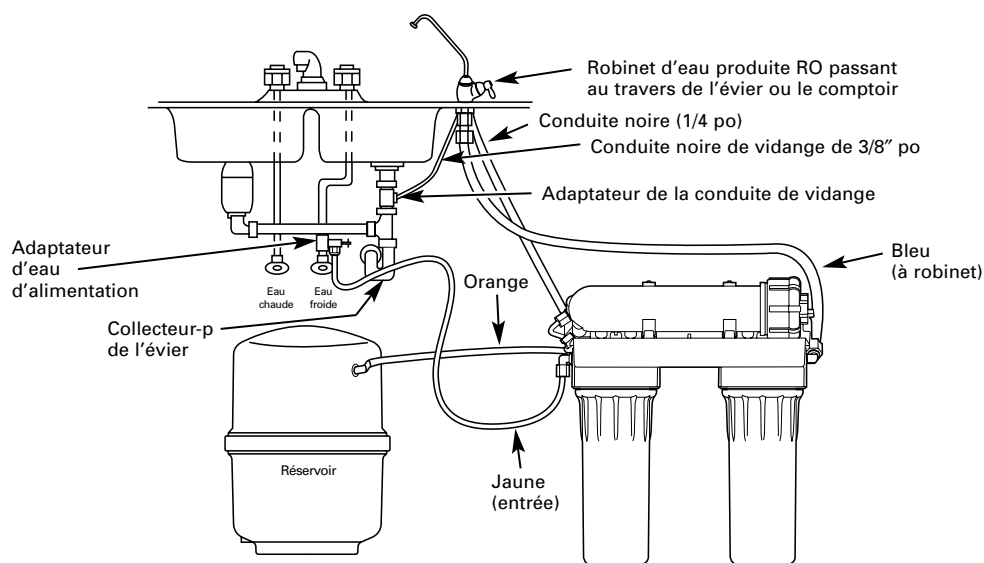
## LISTE DES COMPOSANTS DE L'APPAREIL

- Ensemble de filtration par osmose inversee et conduite
- Imprimés concernant l'appareil (manuel d'utilisation et d'installation) et feuillet de données relatives
- Sac contenant les éléments des robinets d'alimentation
- Adaptateur de la conduite de vidange
- Réservoir
- Robinet
- Chatterton du filetage



# Instructions d'installation

## Points à vérifier avant de commencer l'installation



### EAU D'ALIMENTATION

L'eau alimentant le système de filtration par osmose inversée monté sous le comptoir doit présenter des qualités répertoriées dans les spécifications (voyez la section *Guide des spécifications*). Dans la plupart des cas, l'eau fournie par les municipalités répond à ces spécifications. L'eau de puits peut requérir un traitement—faites-la tester par un laboratoire d'analyses et suivez leurs recommandations pour traitement.

**MISE EN GARDE :** Lorsque la dureté de l'eau est supérieure à 10 grains (à un pH de 6,9), il est recommandé d'utiliser un adoucisseur. Si un adoucisseur n'est pas utilisé, la durée de vie de la membrane du système de filtration sera réduite. Voyez la section *Guide des spécifications* pour les informations complémentaires concernant la nécessité de disposer d'un adoucisseur.

### POINT DE VIDANGE

L'eau évacuée provenant de la membrane du système de filtration nécessite un point de vidange approprié et un espace d'air (**vérifiez vos codes locaux**).

### ROBINET RO

Le robinet d'eau produite RO est monté sur l'évier ou sur le comptoir à proximité de l'évier. Souvent, il est monté dans l'orifice de l'arrosier existant. Il est nécessaire de disposer d'un espace suffisant sous l'évier ou le comptoir pour la conduite reliée au robinet ou en provenance de celui-ci et pour le montage du robinet. Tous les raccordements de robinet, conformément aux méthodes de montage, sont effectués sur ou au dessus de l'évier ou du comptoir. Voyez l'illustration ci-dessous.

### INSTALLATION DANS UN SOUS-SOL

Si l'installation est effectuée dans un sous-sol, ménagez une longueur de conduite suffisante au cours de l'installation afin de faciliter l'entretien et d'assurer le remplacement des filtres/membrane. Conduite et raccords supplémentaires sont nécessaires.

# Instructions d'installation

## ALIMENTATION D'EAU

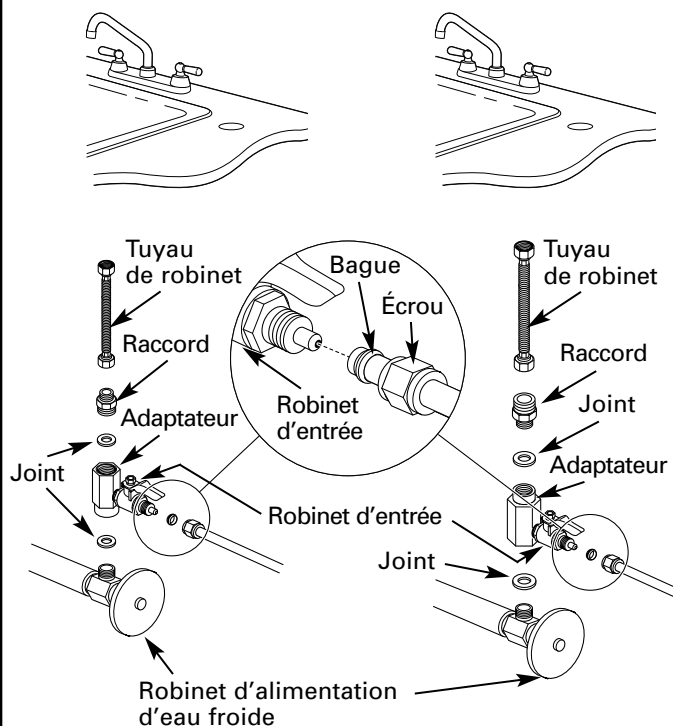
Vérifiez et conformez-vous aux codes de plomberie lors de la planification puis installez un raccord d'alimentation d'eau froide.

### A. INSTALLATION PRÉFÉRENTIELLE

1. Fermez le robinet d'alimentation d'eau froide sous l'évier.
2. Dévissez le tuyau souple du robinet d'alimentation qui se branche à la colonne montante d'eau FROIDE.
3. Installez l'adaptateur\* d'eau d'alimentation d'un diamètre correspondant à la plomberie de votre installation de 1/2 ou 3/8 po. **NE SERREZ PAS TROP.**

\*Remarquez l'orientation de l'adaptateur d'eau d'alimentation et du raccord. Il est installé différemment pour s'adapter à la plomberie de 1/2 ou 3/8 po de votre installation.

Pour la plomberie de 3/8 po    Pour la plomberie de 1/2 po



### B. INSTALLATION OPTIONNELLE EFFECTUÉE DANS UN DOMICILE

Lorsque les codes l'autorisent (Des pièces supplémentaires sont nécessaires)

**\*Pour OD de 1/2 po ou tube métallique de plus grandes dimensions.**

**NOTE :** Les codes de l'état du Massachusetts exigent que l'installation soit effectuée par un plombier certifié et ne permettent pas l'utilisation de soupapes à étrier. Pour l'installation, utilisez le code 248-CMR du Commonwealth du Massachusetts.

Une soupape à étrier est disponible auprès du service de pièces détachées GE en composant le 1.800.626.2002, numéro de référence WS15X10023. Les soupapes à étrier auto-perçants ne sont pas recommandés.

1. Fermez l'alimentation d'eau froide et montez la soupape à étrier comme illustre en page suivante.

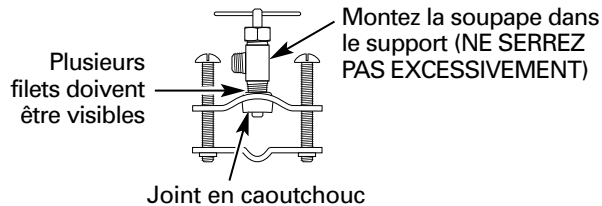
**⚠ DANGER :** Beaucoup de maisons sont raccordées à la terre par l'intermédiaire de la plomberie. Pour vous mettre à l'abri de blessures graves ou de choc électrique fatal, utilisez une perceuse alimentée par batterie pour faire le trou. **N'UTILISEZ PAS DE PERCEUSE ÉLECTRIQUE.**

2. Fermez le robinet d'alimentation d'eau en tournant la poignée dans le sens horaire.

# Instructions d'installation

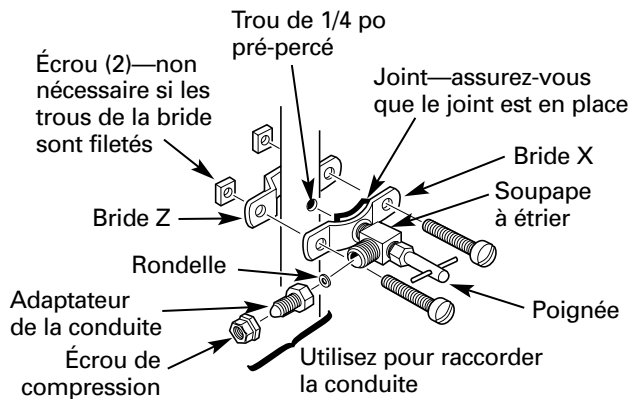
## B. INSTALLATION OPTIONNELLE EFFECTUÉE DANS UN DOMICILE (suite)

3. Ouvrez le robinet principal d'alimentation et plusieurs autres robinets de l'habitation afin de purger l'air du système. Fermez les robinets une fois que l'écoulement d'eau est régulier.



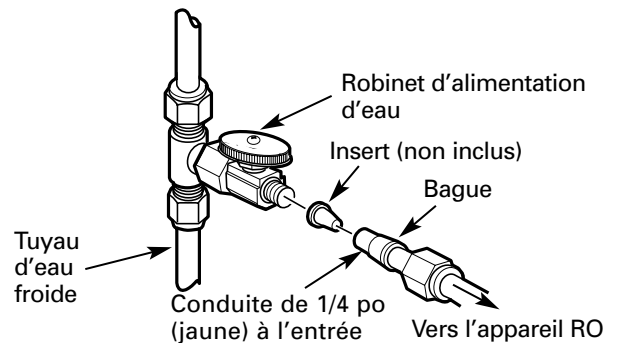
Raccordement optionnel à la source d'alimentation d'eau (avec utilisation de la soupape à étrier)\*

\*Pour OD de 1/2 po ou tube métallique de plus grandes dimensions.



## C. INSTALLATION À DISTANCE (des pièces supplémentaires sont nécessaires)

1. Fermez l'alimentation d'eau froide.
2. Installez un raccord sur la conduite d'eau froide pour adaptation à une conduite de diamètre extérieur de 1/4 po, conformément aux codes de plomberie. Une connexion typique est montrée dans l'illustration ci-dessous. Vérifiez qu'un robinet d'alimentation d'eau est utilisé.
3. Si l'équipement de filtration à osmose inversée doit être installé à plus de 1,8 m (6 pi) du robinet, remplacez la conduite jaune par une conduite GE de 1/4 po plus long. Une conduite de 1/4 po de 10 m (33 pi) est disponible auprès du service de pièces détachées GE au 1.800.626.2002, numéro de référence WS07X10018. **NE SUBSTITUEZ PAS DE CONDUITE DE QUALITÉ INCONNUE.**
4. Si l'équipement de filtration à osmose inversée doit être installé à plus de 1,8 m (6 pi) du robinet, remplacez la conduite bleue par une conduite GE de 3/8 po plus long. Une conduite de 10 m (33 pi) est disponible auprès du service de pièces détachées GE au 1.800.626.2002, numéro de référence WS07X10019. Voir Installation du robinet, page 28 pour plus de détails. **NE SUBSTITUEZ PAS DE CONDUITE DE QUALITÉ INCONNUE.**



Si vous utilisez des tubes de cuivre, **NE** les branchez **PAS** directement sur l'équipement de filtration par osmose inversée. Achetez un connecteur et utilisez une conduite jaune plus court fourni pour faire la connexion finale à l'équipement de filtration par osmose inversée. N'utilisez pas de tube de cuivre pour brancher à machine à glaçons ou au robinet.

# Instructions d'installation

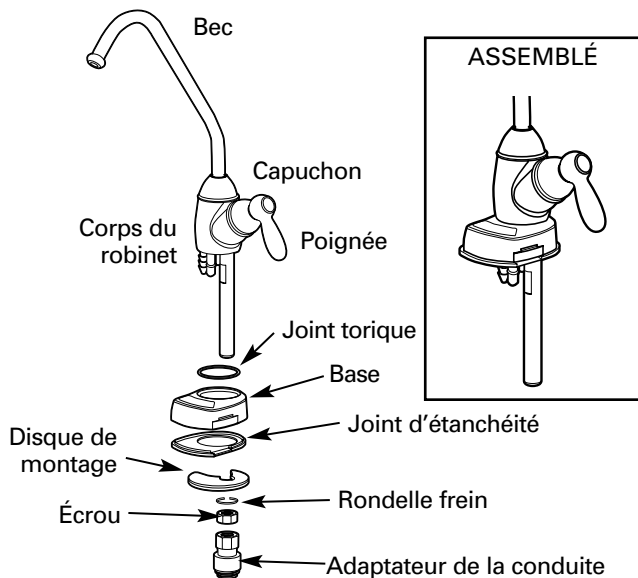
## INSTALLATION DU ROBINET

Assurez-vous que vous disposez d'un espace suffisant sous l'évier pour faire les raccordements. Choisissez l'un des endroits suivants pour l'installation du robinet :

- Dans un trou d'évier existant pour tuyau de pulvérisation d'eau ou distributeur de savon liquide.
- Dans un trou à percer dans le dessus de l'évier.
- Dans un trou à percer dans le comptoir, à côté de l'évier.

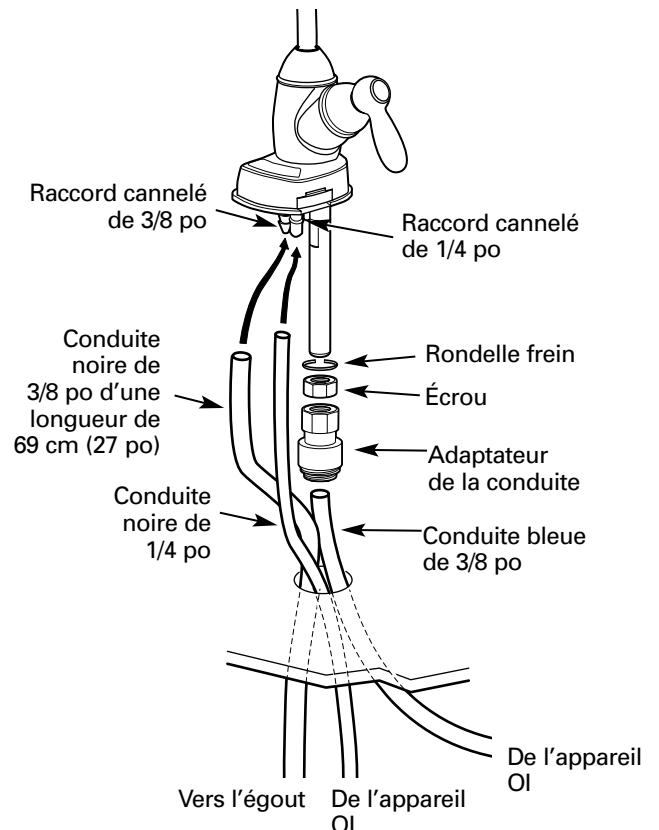
**NOTE :** Assurez-vous que la base du robinet s'adapte sur la surface de la position sélectionnée pour assurer une bonne jonction du joint du robinet et de la surface.

1. Si un perçage est nécessaire, faites un trou de 1-1/4 po de diamètre. **Assurez-vous que vous suivez la bonne procédure pour le perçage de la porcelaine ou de l'acier inoxydable.**
2. Insérez le bec dans le robinet. Serrez le capuchon jusqu'à ce qu'il soit bien serré.
3. Acheminez la conduite bleue, les conduites noires de 1/4 et 3/8 po vers le haut au travers du trou dans le comptoir ou l'évier.
4. Acheminez les deux conduites noires vers le haut au travers du joint d'étanchéité, de la base du robinet et du joint torique.



**NOTE :** Pour faciliter les opérations d'entretien, maintenez la conduite suffisamment long de telle façon que le retrait du système de filtration par osmose inversée situé sous le comptoir demeure possible.

5. Poussez la conduite noire de 1/4 et 3/8 po sur leur raccord cannelé respectif sur le corps.
6. Positionnez la base et le robinet ensemble. Assurez-vous que le joint torique et le joint d'étanchéité sont en place à la jonction de la base et du corps. La poignée du robinet sera positionnée à 3 heures par rapport à la base.
7. Glissez la rondelle frein sur la tige filetée du robinet, puis vissez l'écrou en laiton sur la tige. Vissez sur la moitié de la longueur environ vers le haut.
8. Vissez l'adaptateur de la conduite à la tige filetée du robinet.
9. Poussez la conduite bleue dans l'adaptateur. Il doit rentrer d'environ 1/2 po. Tirez dessus pour vous assurer qu'il est fermement installé.
10. Passez la conduite et la tige vers le bas au travers du trou de 1-1/4 po.
11. Sous le comptoir, insérez le disque de montage au-dessus de la rondelle frein et serrez l'écrou en laiton.



# Instructions d'installation

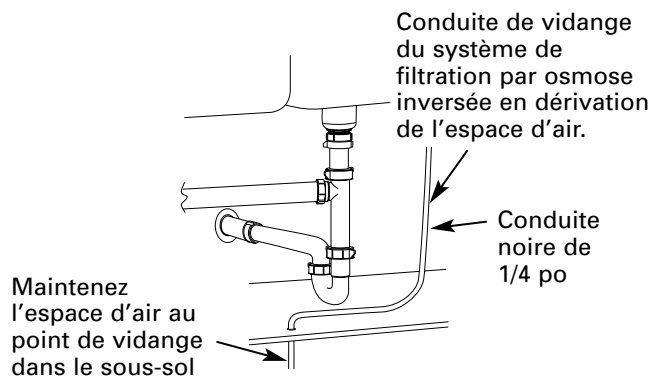
## RACCORDEMENTS À LA CONDUITE DE VIDANGE

Vérifiez et conformez-vous aux codes de plomberie lors de la planification.

**▲ MISE EN GARDE :** Les options décrites ci-dessous représentent **UNIQUEMENT** les configurations d'installation homologuées. **N'utilisez pas de systèmes comportant des soupapes à étrier.**

### OPTION A : INSTALLATION DU SYSTÈME AU SOUS-SOL

Acheminez **DIRECTEMENT** la conduite de vidange (noire, de 1/4 po) du système de filtration par osmose inversée à un évènement du sous-sol, en dérivant l'espace d'air ménagé dans le robinet. Il est aussi possible de diriger la conduite de vidange sur un orifice d'évacuation du sol ou encore dans une baignoire sous réserve que l'espace d'air du sous-sol est respecté. Évitez de faire des boucles et autres formes non rectilignes avec la conduite. L'espace d'air dans le sous-sol et la configuration de l'installation de vidange doivent être conformes à tous les codes locaux. Des raccords spéciaux pour l'espace d'air sont disponibles pour le raccordement de la conduite à l'évènement.

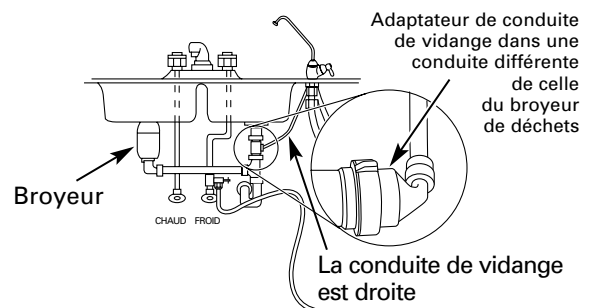


### OPTION B : INSTALLATION D'ADAPTATEUR DE LA CONDUITE DE VIDANGE

**▲ MISE EN GARDE!** **N'INSTALLEZ PAS L'ADAPTATEUR DE LA CONDUITE DE VIDANGE EN AVAL DU BROYEUR À DÉCHETS.**

Installez l'adaptateur de conduite de vidange fourni sous l'évier, conformément à l'illustration. Le té-défecteur fourni doit être en place (achetez et installez-le si nécessaire) pour empêcher la conduite de vidange de l'osmose inversée de se boucher. Acheminez la conduite de vidange (noire, de 3/8 po) de l'espace d'air du robinet à l'adaptateur de la conduite de vidange, en vous assurant qu'il n'y a pas d'inclinaison, boucle ou de point bas dans la conduite qui pourrait résulter en une conduite de vidange bouchée.

**La conduite doit être coupé à la bonne longueur pour fournir un acheminement droit du robinet à l'évacuation.**



Du bruit de vidange dans le trou d'évacuation de l'évier est normal lorsque le système de filtration par osmose inversée fonctionne.

# Instructions d'installation

## CONDUITE DE VIDANGE DU ROBINET ET CONDUITE D'ALIMENTATION D'EAU

Si l'OPTION A : INSTALLATION DU SYSTÈME AU SOUS-SOL (consultez la section *Raccordements à la conduite de vidange*, page 29) est utilisée, passez à l'étape 2.

**1** Si l'OPTION B : INSTALLATION D'ADAPTATEUR DE LA CONDUITE DE VIDANGE est utilisée, branchez la conduite de vidange de robinet en acheminant la conduite noire de 3/8 po du raccord cannelé de 3/8 po au raccord de vidange (installé dans la section *Raccordements à la conduite de vidange*, page 29). Gardez la conduite aussi courte et droite que possible, sans boucle, creux ou point bas. Coupez la conduite comme nécessaire et insérez-la dans le raccord de vidange.

**2** Pour brancher la conduite d'alimentation d'eau : Acheminez la conduite jaune de 1/4 po de l'entrée du système de filtration par osmose inversée à l'adaptateur d'eau d'alimentation (voir les illustrations dans la section *Alimentation d'eau*). Branchez la conduite de la manière appropriée (voir la section *Alimentation d'eau*) et serrez l'écrou fortement.

## INSTALLATION DE L'ENSEMBLE DU SYSTÈME DE FILTRATION PAR OSMOSE INVERSÉE ET DU RÉSERVOIR

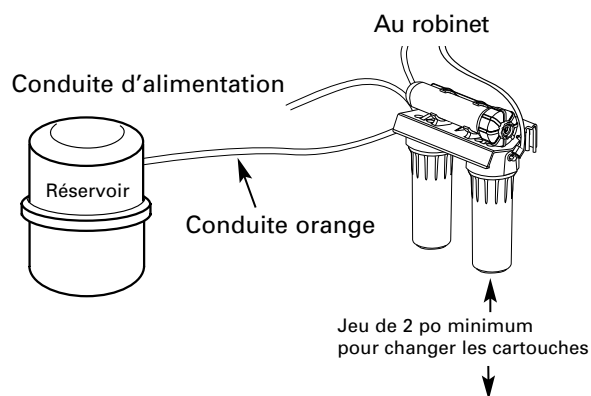
**1** Tenez l'équipement de filtration par osmose inversée contre la surface du mur où il va être installé. Marquez les emplacements des vis. Les flèches au-dessus du support montrent l'emplacement des trous de vis.

**2** Des vis à bois sont fournies pour fixation sur une surface de bois. Procurez-vous d'autres vis si besoin est.

**3** Accrochez l'ensemble de filtration par osmose inversée sur les vis.

**4** Mettez du chatterton d'étanchéité pour filetage sur le raccord et les filetages du réservoir. Serrez avec une clé anglaise.

**5** Branchez la conduite sur le réservoir de stockage : Acheminez la longueur de conduite orange de 3/8 po du raccord en té sur le module de filtration par osmose inversée au raccord d'entrée du réservoir.



## À PRESENT QUE VOTRE SYSTÈME DE FILTRATION PAR OSMOSE INVERSÉE EST INSTALLÉ... DÉSINFECTEZ!

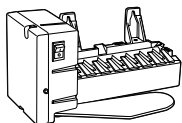
Désinfectez au cours de l'installation et après l'entretien des composants internes, incluant le remplacement du pré-filtre, du post-filtre et la cartouche du système de filtration par osmose inversée. Il est important que vous vous laviez les mains avec du savon antibactérien avant de manipuler les composants internes du système. Référez-vous à la section *Désinfection*.

**MISE EN GARDE :** Si le système est installé dans une nouvelle habitation, assurez-vous que les tuyaux ont été complètement rincés avant d'ouvrir le robinet d'alimentation d'eau. Et avant la désinfection, assurez-vous de retirer toutes les cartouches comme décrit à la section *Désinfection*. Le chlore détruira la cartouche du système.

# Instructions d'installation

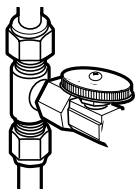
## PROCÉDURE DE REMPLACEMENT POUR PRÉ-FILTRE, POST-FILTRE ET CARTOUCHE DE FILTRATION PAR OSMOSE INVERSÉE, COMPRIS DÉSINFECTION

- 1** COUPEZ la machine à glaçons (s'il est connecté au système de filtration par osmose inversée).



- 2** Lavez vos mains avec du savon antibactérien.

- 3** Coupez l'alimentation d'eau au système de filtration par osmose inversée.

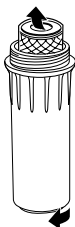


- 4** Ouvrez le robinet de filtration par osmose inversée. Vidangez le réservoir (cela peut prendre quelques minutes). Coupez le robinet de filtration par osmose inversée.

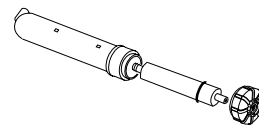
**MISE EN GARDE :** Ne pas fermer le robinet d'alimentation d'eau ou le robinet d'arrêt du réservoir causera des pulvérisations ou des écoulements d'eau lorsque les corps de filtre sont enlevés.

- 5** Enlevez les corps de filtre. Faites attention—les corps de filtre seront pleins d'eau.

Jetez les filtres. Nettoyer soigneusement les corps de filtre avec du produit-vaisselle. Essuyez soigneusement l'intérieur des têtes avec un essuie-tout imbibé de produit-vaisselle. Rincez soigneusement.



- 6** Retirez le capuchon du logement de cartouche de filtration par osmose inversée (dévissez la conduite en premier, sur certains modèles). Utilisez des pinces pour retirer la cartouche de filtration par osmose inversée. Placez-la dans un sac en plastique propre ou jetez-la si vous la remplacez. Essuyez complètement l'intérieur du logement et du capuchon avec un essuie-tout ou une brosse à vaisselle imbibée de produit vaisselle. Rincez soigneusement.



- 7** Remettez en place le corps de post-filtre vide.



- 8** Remplissez le corps de pré-filtre avec de l'eau jusqu'à 2,5 cm (1 po) du joint torique. Ajoutez 50 ml (4 cuiller à soupe) d'eau de javel ordinaire. Remettez en place le corps de pré-filtre.

- 9** Rétablissez l'alimentation d'eau. Ouvrez le robinet de filtration par osmose inversée jusqu'à ce que l'eau commence à couler, puis fermez-le. Laissez le système se remplir pendant 1 minute.

- 10** Ouvrez le robinet et laissez l'eau couler pendant 10 minutes. Coupez le robinet pendant 1 minute, puis ouvrez le robinet et laissez l'eau couler pendant 10 minutes, ou jusqu'à ce que l'odeur d'eau de javel soit partie. Coupez de nouveau l'alimentation d'eau. Vidangez le système OI.

- 11** Retirez les corps de filtre. Insérez les filtres. Graissez le joint torique avec de la graisse de silicone de qualité alimentaire, si besoin est. (Ne pas utiliser de vaseline). Serrez les corps de filtre fermement.

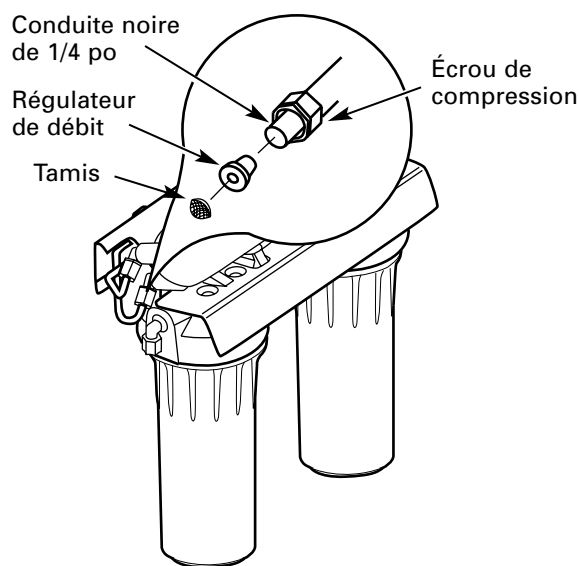


# Instructions d'installation

## PROCÉDURE DE REMPLACEMENT POUR PRÉ-FILTRE, POST-FILTRE ET CARTOUCHE DE FILTRATION PAR OSMOSE INVERSÉE, COMPRIS DÉSINFECTION (suite)

**12** Enlevez le capuchon du logement de cartouche de filtration par osmose inversée. Installez la cartouche de filtration par osmose inversée, extrémité à joint torique en premier. Graissez le joint torique du couvercle avec de la graisse de silicone de qualité alimentaire, si besoin est. (N'utilisez PAS de vaseline). Serrez fermement le capuchon.

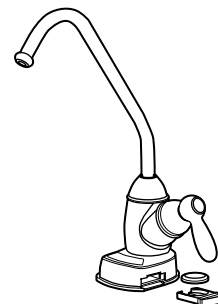
**13** Si vous remplacez la cartouche de filtration par osmose inversée, remplacez aussi le régulateur de débit et le tamis. (Dévissez la conduite noire de 1/4 po du raccord. Enlevez le régulateur de débit avec une lame de couteau propre. Enlevez le tamis avec un cure-dent propre). Serrez l'écrou à la main puis serrez-le de 1/4 de tour avec des pinces. **NE SERREZ PAS TROP.**



**14** Ouvrez l'alimentation d'eau. Laissez le réservoir se remplir. (Cela peut prendre quatre heures). **Vérifiez qu'il n'y pas de fuites.**

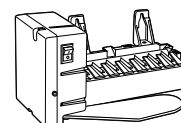
**15** Remplacez les piles de l'indicateur de changement de filtre :

- Utilisez un petit tournevis à lame plate ou une pièce de monnaie et ouvrez soigneusement le compartiment de pile.
- Installez la pile CR2032 avec le côté (+) vers le bas dans le plateau.
- Glissez le plateau dans la base et emboîtez en place.
- La lumière clignotera 5 fois pour indiquer une installation correcte. Au bout de 6 mois d'utilisation, la lumière clignotera de nouveau, indiquant qu'il est temps de remplacer le filtre. Installez une nouvelle pile CR2032 au bout de 6 mois d'utilisation.



**16** Si vous avez seulement remplacé le pré-filtre et le post-filtre, laissez l'eau couler du robinet pendant 5 minutes pour enlever les particules de carbone inoffensives. Si vous avez remplacé la cartouche de filtration par osmose inversée, remplissez et videz trois fois le réservoir de stockage, jusqu'à ce que le goût et l'odeur du préservatif de membrane de type alimentaire soient partis.

**17** Dès que le réservoir de stockage est plein, mettez en marche la machine à glaçons.





# Entretien et nettoyage du système de filtration par osmose inversée.

www.electromenagersge.ca

Pour obtenir des filtres de rechange, appelez le numéro d'appel sans frais du service de pièces d'appareil GE au 800.626.2002 (États-Unis), 800.663.6060 (Canada–Anglais), 800.361.3869 (Canada–Français), ou visitez le magasin dans lequel vous avez acheté le système de filtration par osmose inversée.

<i>Cartouche de rechange du pré-filtre/post-filtre FX12P</i>	<i>Bloc de charbon</i>
<i>Cartouche de rechange du système de filtration FX12M</i>	<i>Pellicule mince en polyamide</i>

**⚠ MISE EN GARDE :** Avant d'effectuer l'entretien du système de filtration, fermez le robinet d'alimentation / soupape à étrier et ouvrez le robinet d'eau OI. Permettez au système de se vider.

## Trousse de test d'eau

Pour obtenir une trousse de test d'eau d'un laboratoire indépendant, veuillez appeler Legend Technical Services au 1.800.826.8553 poste 47 et laissez les informations pour vous contacter. Ils vous contacteront pour vous demander d'identifier les tests d'eau qui vous intéressent, et pour vous informer du coût du test. Vous recevrez ensuite une trousse qui comprendra tous les tests nécessaires pour indiquer correctement le niveau de performance de votre système. L'eau produite doit être testée au minimum tous les six mois.

Mesures de sécurité

Fonctionnement

Installation

Conseils de dépannage

Service à la clientèle

## Au sujet du système de filtration par osmose inversée.

### Ce que ce système accomplit

Le système de filtration par osmose inversée élimine les matières solides totalement dissoutes (TDS) ainsi que les matières organiques de l'eau par diffusion au travers d'une membrane spéciale. Cette membrane sépare les matières minérales et les impuretés de l'eau, lesquelles sont évacuées dans le tuyau de vidange. L'eau de haute qualité produite est acheminée directement au robinet d'alimentation en eau potable ou au réservoir. L'appareil produit une bonne quantité d'eau potable quotidiennement. Voir les *Guide des spécifications*. La quantité d'eau produite est fonction de la pression d'eau d'alimentation, de sa température et de sa qualité.

Les *pré-filtre* et *post-filtre* au charbon sont des cartouches remplaçables. Le *pré-filtre* élimine le chlore et filtre les sédiments. Le *post-filtre* élimine les goûts et les odeurs indésirables avant l'utilisation de l'eau.

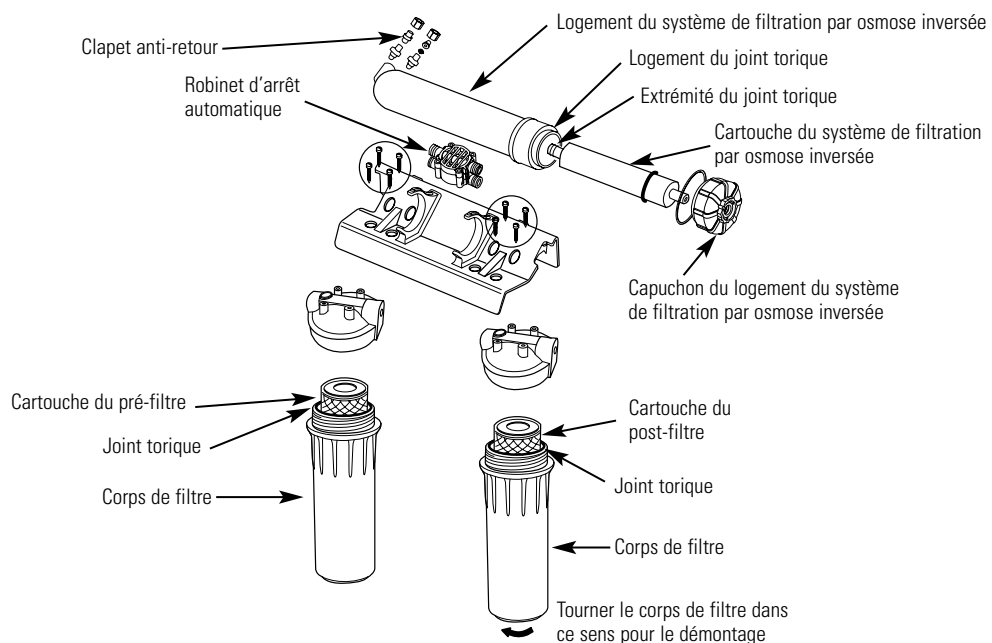
### Description du système de filtration par osmose inversée

**Pré-filtre**—L'eau en provenance de la conduite d'eau froide est dirigée dans la cartouche du pré-filtre se trouvant à l'intérieur du corps de filtre. Le pré-filtre est une cartouche de récupération des sédiments remplaçable qui contient du charbon actif. Le pré-filtre élimine le sable, le limon, les saletés et autres sédiments et un maximum de 2,0 ppm de chlore présents dans l'eau. Il réduit la quantité de chlore de l'eau, lequel **DÉTRUIT LA MEMBRANE DU SYSTÈME**. L'eau propre, filtrée et à teneur de chlore réduite s'écoule du pré-filtre vers la cartouche du système.

**Réservoir**—Le réservoir contient jusqu'à 3 gallons d'eau traitée. À l'intérieur, un diaphragme maintient l'eau sous pression lorsque le réservoir est plein de façon à assurer un débit rapide vers le robinet lorsque l'on désire avoir de l'eau potable.

**Clapet anti-retour**—Un clapet anti-retour est monté à une des extrémités du logement du système de filtration par osmose inversée. Ce clapet empêche le refoulement de l'eau traitée en provenance du réservoir. Un tel refoulement pourrait entraîner la rupture de la membrane du système.

**Robinet d'arrêt automatique**—Dans le but de conserver l'eau, le système de production d'eau potable comporte un robinet d'arrêt automatique. Lorsque le réservoir est plein et que le robinet d'alimentation en eau potable est fermé, la pression ferme l'appareil. Le débit d'eau vers le logement du système de filtration par osmose inversée est interrompu jusqu'à ce que l'eau potable soit à nouveau utilisée et que la pression chute dans le système.

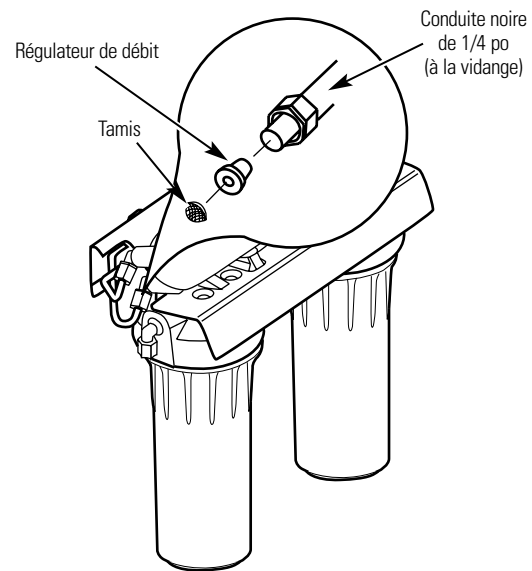


**Cartouche du système de filtration par osmose inversée**—La cartouche qui se trouve à l'intérieur du logement du système comprend une membrane étroitement sertie. L'eau est forcée au travers de la cartouche où la membrane élimine les matières solides dissoutes et les matières organiques. L'eau traitée de haute qualité sort du logement du système et se dirige vers le réservoir. L'eau rejetée contenant les matières solides dissoutes et les déchets organiques quitte le logement puis est déchargée à l'orifice de vidange au passant par la conduite de 1/4 po.

**Post-filtre**—Après avoir quitté le réservoir mais avant d'être acheminée au robinet du système, l'eau produite s'écoule vers le post-filtre se trouvant dans le corps de filtre. Le post-filtre est aussi une cartouche de filtration des sédiments remplaçable contenant du charbon actif. Tout reliquat de goûts, d'odeur ou de sédiments sont éliminés de l'eau par le post-filtre. L'eau potable propre de haute qualité s'écoule par la conduite vers le robinet du système.

**Moniteur du système**—Une minuterie est fournie dans la base du robinet pour vous rappeler quand il est temps de remplacer votre pré-filtre et votre post-filtre. Remplacez les filtres lorsque la lumière bleue commence à clignoter pour protéger la membrane de filtration par osmose inversée et pour garder le système en bon ordre de fonctionnement. Assurez-vous de bien retirer et remplacer la pile en même temps pour réinitialiser la minuterie.

**Régulation de débit**—Le régulateur de débit contrôle le débit de l'eau au travers de la cartouche du système de filtration pour obtenir la valeur requise nécessaire à la production d'eau de haute qualité. Il est situé sur le raccord en coude localisé à l'orifice de vidange du logement du système. Un petit tamis conique s'adapte pour empêcher toute obturation causée par les sédiments de l'eau de vidange. Le régulateur (et tamis) doit être remplacé chaque fois que la membrane du système de filtration par osmose inversée est changée.



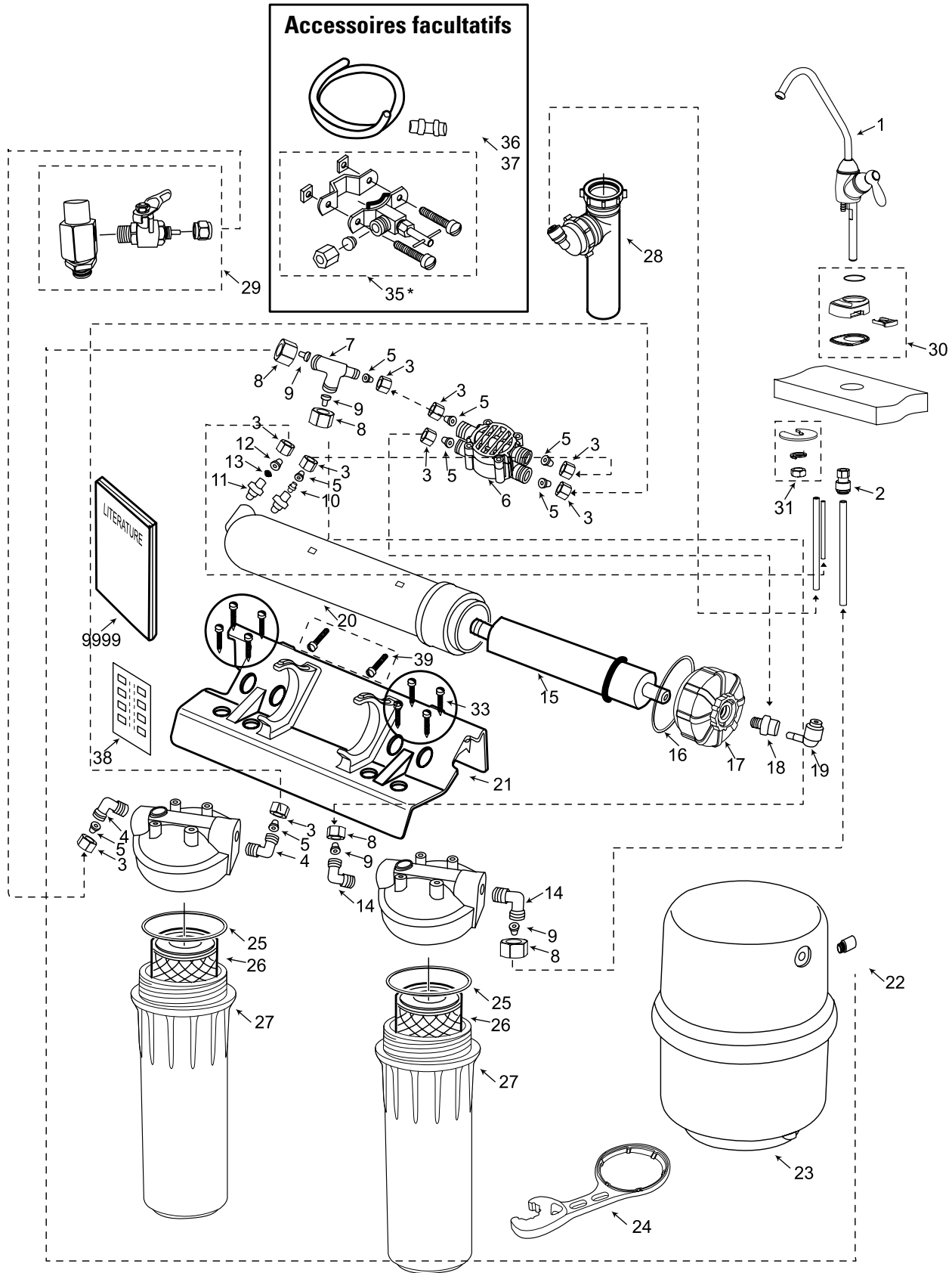
## Avant d'appeler un réparateur...



### Conseils de dépannage

Économisez du temps et de l'argent! Repassez en revue le tableau et il est possible que vous n'ayez pas à appeler pour obtenir du service.

Problème	Causes possibles	Correctifs
<b>Sons que vous pouvez entendre</b>	Écoulement de l'eau en provenance de l'appareil vers l'orifice de vidange.	<ul style="list-style-type: none"> <li>Ceci est normal.</li> </ul>
<b>L'eau est trouble et contient des bulles</b>	Il y a de l'air dans les conduites après l'installation.	<ul style="list-style-type: none"> <li>Ce phénomène disparaît après que l'eau a coulé pendant un certain temps.</li> </ul>
<b>L'eau du système de filtration goûte le chlore ou présente des odeurs de chlore</b>	La concentration en ppm de chlore dans votre eau dépasse les limites maximales et a détruit la membrane du système.	<ul style="list-style-type: none"> <li>Si l'eau alimentant le système contient une concentration de plus de 2,0 ppm de chlore, il est nécessaire d'assurer un filtrage complémentaire de cette eau. Corrigez cette situation avant toute opération d'entretien du système.</li> </ul>
	Le pré-filtre n'élimine plus le chlore de l'eau.	<ul style="list-style-type: none"> <li>Remplacez la membrane, cartouche, tamis, pré-filtre et post-filtre du système de filtration.</li> </ul>
<b>Il y a d'autres odeurs ou goût de chlore</b>	L'eau de haute qualité produite peut avoir un goût différent de celui auquel vous êtes habitué.	<ul style="list-style-type: none"> <li>Ceci est normal.</li> </ul>
	Utilisation basse de l'eau.	<ul style="list-style-type: none"> <li>Videz complètement le système et le remplir à nouveau.</li> </ul>
	Contamination dans le réservoir d'eau traitée.	<ul style="list-style-type: none"> <li>Utilisez les procédures de désinfection.</li> </ul>
	Le pré-filtre ou post-filtre doivent être remplacés et/ou la cartouche du système de filtration doit être remplacée.	<ul style="list-style-type: none"> <li>Remplacez le pré-filtre et le post-filtre. Si le goût et l'odeur persistent, remplacez la cartouche du système, le régulateur de débit et le tamis.</li> </ul>
<b>L'eau fuit de l'orifice d'espace d'air du robinet</b>	Le côté vidange de l'espace d'air du robinet (conduite de 3/8 po) est colmaté, l'écoulement est limité ou la conduite n'a pas été correctement raccordé au point de vidange.	<ul style="list-style-type: none"> <li>Inspectez et éliminez la cause du colmatage. Il est important que la conduite de vidange soit rectiligne entre l'espace d'air du robinet et la conduite de vidange. Référez-vous à la section <i>Raccordement à la conduite de vidange</i> pour vous assurer d'un bon raccord de la conduite. Si vous avez utilisé un adaptateur pour la conduite au point de vidange, il est recommandé d'effectuer une inspection périodique/nettoyage.</li> </ul>
<b>Le système produit de l'eau lentement</b>	Ceci est normal.	<ul style="list-style-type: none"> <li>Le débit d'eau sera inférieur à celui de votre robinet habituel.</li> </ul>
	L'eau alimentant le système de filtration ne répond pas aux spécifications définies.	<ul style="list-style-type: none"> <li>Augmentez la pression de l'eau ou pré-conditionnez l'eau, etc. selon le cas afin que vous soyez conforme aux spécifications avant d'effectuer les opérations d'entretien du système.</li> </ul>
	La cartouche du pré-filtre est colmatée par des sédiments et/ou la cartouche du système est colmatée par des sédiments.	<ul style="list-style-type: none"> <li>Remplacez le pré-filtre et le post-filtre. Si le débit n'augmente pas, remplacez la cartouche du système, le régulateur de débit et le tamis.</li> </ul>
<b>Lumière de robinet clignotante</b>	Le pré-filtre et le post-filtre ont besoin d'être remplacés.	<ul style="list-style-type: none"> <li>Remplacez les filtres. N'oubliez pas de désinfecter le système lorsque vous remplacez les filtres.</li> </ul>
	La minuterie n'a pas été réinitialisée quand les filtres ont été remplacés.	<ul style="list-style-type: none"> <li>Retirez et remplacez la pile dans la base du robinet.</li> </ul>
<b>Six mois ont passé et la lumière du robinet ne clignote pas</b>	La pile peut être usée.	<ul style="list-style-type: none"> <li>Remplacez la pile. <b>NOTE</b>: Remplacer la pile réinitialise la minuterie de six mois, assurez-vous donc de bien remplacer le pré-filtre et le post-filtre si c'est le moment de la faire.</li> </ul>
	La pile a pu avoir été retirée récemment.	<ul style="list-style-type: none"> <li>Chaque fois que la pile est retirée et réinsérée, la minuterie de six mois se réinitialise. Ne pas enlever la pile sauf si vous voulez réinitialiser la minuterie.</li> </ul>



**\* NOTE :** Les codes de l'état du Massachusetts exigent que l'installation soit effectuée par un plombier qualifié et ne permettent pas l'utilisation de soupapes à étrier. Pour l'installation, utilisez le code 248-CMR du Commonwealth du Massachusetts.

# Catalogue des pièces de Général Electric.

N° DE RÉF	N° DE PIÈCE	DESCRIPTION DES PIÈCES	GXRM10GBL
0001	WS15X10037	CORPS DU ROBINET ET BEC	1
0002	WS22X10037	RACCORD RAPIDE DE 3/8 PO— ROBINET	1
0003	WS22X10005	ÉCROU DE 1/4 PO	10
0004	WS22X10026	COUDE DE 3/8 PO NPT X 1/4 PO	2
0005	WS22X10006	INSERT DE CONDUITE DE 1/4 PO	8
0006	WS22X10038	ROBINET D'ARRÊT AUTOMATIQUE	1
0007	WS22X10039	TÉ DE CONDUITE DE 1/4 X 3/8 X 3/8 PO	1
0008	WS22X10008	ÉCROU DE 3/8 PO	4
0009	WS22X10007	INSERT DE CONDUITE DE 3/8 PO	4
0010	WS22X10040	CLAPET ANTI-RETOUR—INSERT DE 1/4 PO	1
0011	WS22X10041	RACCORD DE 1/8 PO NPT X 1/4 PO	1
0012	WS03X10016	RÉGULATEUR DE DÉBIT	1
0013	WS03X10015	TAMIS CONIQUE	1
0014	WS22X10002	COUDE DE 3/8 PO NPT X 3/8 PO	2
0015	FX12M	MEMBRANE DE FILTRATION PAR OSMOSE INVERSÉE	1
0016	WS03X10045	JOINT TORIQUE DU LOGEMENT DE MEMBRANE DE FILTRATION PAR OSMOSE INVERSÉE	1
0017	WS31X10025	CAPUCHON DU LOGEMENT DE MEMBRANE DE FILTRATION PAR OSMOSE INVERSÉE	1
0018	WS22X10042	RACCORD DE 1/8 PO NPT X 1/4 PO	1
0019	WS22X10043	COUDE—1/4 PO TIGE X 1/4 PO	1
0020	WS20X10006	LOGEMENT— MEMBRANE DE FILTRATION PAR OSMOSE INVERSÉE	1
0021	WS28X10039	SUPPORT	1
0022	WS22X10044	CONNECTEUR—3/8 PO X 3/8 PO MNPT	1
0023	WS32X10019	RÉSERVOIR DE STOCKAGE	1
0024	WX5X140	CLÉ	1
0025	WS03X10038	JOINT TORIQUE, CORPS DE FILTRE	2
0026	FX12P	CARTOUCHE DE BLOC DE CHARBON	2
0027	WS20X10007	CORPS DE FILTRE	2
0028	WS18X10006	ADAPTATEUR DE CONDUITE DE VIDANGE—DLA9	1
0029	WS18X10009	KIT D'ADAPTATEUR— EAU D'ALIMENTATION	1
0030	WS10X10028	ENSEMBLE, BASE DU ROBINET	1
0031	WS02X10031	RONDELLE ET ÉCROU—ROBINET	1
0033	WS02X10032	VIS DE SUPPORT	8
0034	WS31X10026	TÊTE DU LOGEMENT	2
0035	WS15X10023	SOUPAPE À ÉTRIER	1
0036	WS07X10018	CONDUITE—1/4 PO X 33 PI—BLANC	1
0037	WS07X10019	CONDUITE—3/8 PO X 33 PI—BLANC	1
0038	WS01X10013	BANDE-ÉPROUVETTE NITRATE	1
0039	WS02X10033	VIS DE FIXATION	2
9999	49-50106	MANUEL D'UTILISATION ET D'INSTALLATION	1

**Pour obtenir des pièces de rechange, composez sans frais le 800.626.2002 (États-Unis), le 800.663.6060 (Canada, langue anglaise), le 800.361.3869 (Canada, langue française).**

**\* NOTE :** Les codes de l'état du Massachusetts exigent que l'installation soit effectuée par un plombier qualifié et ne permettent pas l'utilisation de soupapes à étrier. Pour l'installation, utilisez le code 248-CMR du Commonwealth du Massachusetts.

# Garantie du système de filtration par osmose inversée de GE.



Tout service couvert par la garantie sera assuré par un réseau de réparateurs GE SmartWater™ accrédité. Pour obtenir du service en ligne 24 heures par jour, veuillez nous contacter sur le site [www.GEAppliances.com](http://www.GEAppliances.com), ou appelez sans frais au 800.GE.CARES (États-Unis) ou 866.777.7627 (Canada).

Agrafez le reçu d'achat ici.  
Pour obtenir le service sous garantie, vous devrez fournir la preuve de l'achat original.

## Pour la période de : **GE remplacera :**

### Un an

À partir de la date d'achat original

**Tout composant** du système de filtration qui cessera de fonctionner à la suite d'un défaut matériel ou de fabrication. Au cours de cette **garantie limitée de une année**, GE assurera **sans frais** les travaux (exclut les coûts d'expédition de service à domicile) pour le remplacement des pièces défectueuses. Tout service couvert par la garantie sera assuré par un réparateur GE SmartWater™ accrédité.

## Ce qui n'est pas couvert :

- Les déplacements de service à domicile pour vous enseigner comment utiliser le produit.
- L'installation, la livraison ou l'entretien incorrects.
- Le non-fonctionnement du produit si celui-ci a été malmené, mal utilisé ou utilisé dans un but autre que celui pour lequel il a été conçu.
- Les filtres ou membranes.
- Défauts résultant d'une installation incorrect ou dommage non causé par GE.
- Responsabilité de GE couverte par cette garantie ou autre garantie pour tout dommage indirect ou secondaire.
- Produits utilisés dans des applications commerciales ou industrielles.
- L'utilisation de ce produit lorsque l'eau est microbiologiquement douteuse ou de qualité inconnue, sans désinfection adéquate. Les systèmes homologués pour la réduction de bactéries peuvent être utilisés avec de l'eau désinfectée pouvant contenir des bactéries filtrables.
- Le remplacement des fusibles de la résidence ou le réenclenchement des disjoncteurs.
- Les dommages causés par accident au produit, les incendies, inondations ou actes de Dieu.
- Les dommages fortuits ou indirects à la propriété personnelle résultant de défauts possibles de cet appareil.
- Les dommages causés après la livraison.

Cette garantie est étendue à l'acheteur original ainsi qu'à tout propriétaire consécutif pour les produits destinés à un usage domestique à l'intérieur des États-Unis. En Alaska, la garantie exclut les coûts d'expédition ou les appels de service à domicile.

Certains états n'acceptent pas l'exclusion ou la limitation des dommages fortuits ou indirects. Cette garantie vous donne des droits légaux spécifiques et vous pouvez aussi vous prévaloir d'autres droits, lesquels varient d'état en état. Pour savoir quels sont vos droits légaux, consultez le service aux consommateurs de l'état ou le bureau de l'avocat général de votre état.

**CETTE GARANTIE SE SUBSTITUE À TOUTE AUTRE GARANTIE, QU'ELLE SOIT EXPRIMÉE OU IMPLICITE, INCLUANT CELLES QUI SONT NÉGOCIABLES OU ADAPTÉES À UN BUT PARTICULIER.**

**Garant : General Electric Company. Louisville, KY 40225**

## Soutien au consommateur.

---



### Site Web appareils électroménagers GE

[www.electromenagersge.ca](http://www.electromenagersge.ca)

Vous avez une question ou vous avez besoin d'aide pour votre appareil électroménager? Contactez-nous par Internet au site [www.electromenagersge.ca](http://www.electromenagersge.ca) 24 heures par jour, tous les jours de l'année.



### Service de réparations

**1.800.361.3400**

Service de réparations GE est tout près de vous.

Pour faire réparer votre électroménager GE, il suffit de nous téléphoner.



### Studio de conception réaliste

Sur demande, GE peut fournir une brochure sur l'aménagement d'une cuisine pour les personnes à mobilité réduite.

Écrivez: Directeur, Relations avec les consommateurs, Camco, Inc.  
Bureau 310, 1 Factory Lane  
Moncton, N.B. E1C 9M3

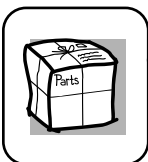


### Prolongation de garantie

[www.electromenagersge.ca](http://www.electromenagersge.ca)

Achetez un contrat d'entretien GE avant que votre garantie n'expire et bénéficiez d'un rabais substantiel. Ainsi le service après-vente GE sera toujours là après expiration de la garantie.

Visitez notre site Web ou appelez-nous au 1.800.461.3636.

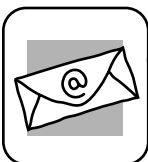


### Pièces et accessoires

Ceux qui désirent réparer eux-mêmes leurs électroménagers peuvent recevoir pièces et accessoires directement à la maison (cartes VISA, MasterCard et Discover acceptées).

**Les directives stipulées dans le présent manuel peuvent être effectuées par n'importe quel utilisateur. Les autres réparations doivent généralement être effectuées par un technicien qualifié. Soyez prudent, car une réparation inadéquate peut affecter le fonctionnement sécuritaire de l'appareil.**

Vous trouverez dans les pages jaunes de votre annuaire le numéro du Centre de service Camco le plus proche. Autrement, appelez-nous au 1.888.261.3055.



### Contactez-nous

Si vous n'êtes pas satisfait du service après-vente dont vous avez bénéficié :

**Premièrement**, communiquez avec les gens qui ont réparé votre appareil.

**Ensuite**, si vous n'êtes toujours pas satisfait envoyez tous les détails—numéro de téléphone compris—au Directeur, Relations avec les consommateurs, Camco, Inc.  
Bureau 310, 1 Factory Lane  
Moncton, N.B. E1C 9M3



### Inscrivez votre appareil électroménager

[www.electromenagersge.ca](http://www.electromenagersge.ca)

Inscrivez votre appareil électroménager en direct, aussitôt que possible. Cela améliorera nos communications et notre service après-vente. Vous pouvez également nous envoyer par la poste le formulaire d'inscription joint à votre documentation.



# La sección en Español.

## **Información de seguridad**

Información de seguridad. . . . .	42
Pautas sobre las especificaciones. . . . .	43

## **Instrucciones de instalación**

Antes de iniciar la instalación . . . . .	44
Conexión del drenaje . . . . .	49
Cosas a revisar antes de iniciar la instalación . . . . .	45
Herramientas y materiales requeridos . . .	44
Instalación del grifo . . . . .	48
Montaje del sistema de Ósmosis Inversa . .	50
Suministro de agua de alimentación . . .	46, 47
Tubo de drenaje del grifo y tubo de suministro de agua . . . . .	50

## **Cuidado y limpieza**

Desinfección . . . . .	51
Kit de prueba del agua . . . . .	53
Procedimiento para la reposición del pre-filtro, post-filtro y cartucho del sistema de Ósmosis Inversa . . . . .	51, 52

## **Instrucciones de operación**

Sobre el Sistema de Ósmosis Inversa . . . . .	54, 55
--	--------

## **Consejos para la solución de fallas . . . .**

## **Soporte al consumidor**

Garantía . . . . .	62
Lista de partes/Catálogo . . . . .	57, 58
Soporte al consumidor . . . . .	63

**Número de modelo:** \_\_\_\_\_

**Número de serie:** \_\_\_\_\_

Los podrá encontrar en el soporte del sumidero.

Seguridad

Operación

Instalación

Solucionar problemas

Servicio al consumidor

# INFORMACIÓN DE SEGURIDAD IMPORTANTE. LEA TODAS LAS INSTRUCCIONES ANTES DE USAR.

Seguridad

**⚠ ADVERTENCIA!** Para su seguridad, se deberá seguir la información de este manual para minimizar el riesgo de daños a la propiedad o lesiones personales.



## PRECAUCIONES DE SEGURIDAD

■ Consulte con su departamento local de obras públicas para los códigos de plomería y desinfección. Deberá seguir estas pautas a medida que instala el sistema de Ósmosis Inversa. **Se recomienda contratar a un instalador calificado.**

■ Si la presión de agua de la casa está por encima del máximo (125 libras por pulgada cuadrada), instale una válvula reductora de presión en la línea de suministro de agua hacia el sistema de Ósmosis Inversa.

■ Asegúrese de que el suministro de agua se adapte a las *Pautas sobre las especificaciones*. Si las condiciones del suministro de agua son desconocidas, contacte a su compañía de suministro de agua o a su departamento local de salud para obtener una lista de contaminantes en su área y de laboratorios certificados por el estado para analizar el agua de consumo.

**⚠ ADVERTENCIA:** Antes de usar el sistema de Ósmosis Inversa por primera vez, se deberá purgar el sistema. El cartucho del sistema de Ósmosis Inversa contiene un preservativo de alimentos que debe purgarse del sistema. El preservativo le dará al agua un sabor y olor desagradables.

■ Este producto reduce el fluoruro en el agua de consumo. Por favor consulte a su odontólogo si tiene alguna pregunta.

**⚠ ADVERTENCIA:** No use con agua que sea microbiológicamente insegura o de calidad desconocida sin una desinfección adecuada antes

del sistema. Se podrán usar sistemas certificados para la reducción de quistes en agua desinfectada que pueda contener quistes filtrables.

Este sistema se ha sometido a prueba para el tratamiento de agua que contiene arsénico pentavalente (también conocido como As(V), As(+5) o arsenato) en concentraciones de 0,050 mg/L o inferiores. Este sistema reduce el arsénico pentavalente, pero es posible que no elimine otras formas de arsénico. Este sistema es para uso en suministros de agua que contienen un residuo libre de cloro detectable o en suministros de agua que han demostrado contener únicamente arsénico pentavalente. El tratamiento con cloramina (cloro combinado) no es suficiente para garantizar una conversión completa de arsénico trivalente a arsénico pentavalente. Sírvase consultar la sección Información sobre el arsénico en la hoja de datos del desempeño para mayor información.

Esta unidad de Ósmosis Inversa contiene un componente de tratamiento de membrana en cartucho, el cual puede ser reemplazado, crítico para la reducción eficaz de sólidos totales disueltos. Se deberá revisar periódicamente el agua para verificar que el sistema esté funcionando de forma satisfactoria. Consulte la sección *Sobre el kit de prueba del agua*. Este sistema es aceptable para el tratamiento de concentraciones entrantes de nitrato de no más de 27 mg/L y nitrito de 3 mg/L en combinación medidas en N y es aceptable para la reducción de nitrato / nitrito sólo para suministros de agua con presión de 280kPa (40 psig) o mayor.

Operación

Instalación



## INSTALACIÓN Y MANTENIMIENTO ADECUADOS

*Este sistema de Ósmosis Inversa debe ser instalado correctamente y ubicado según las Instrucciones de instalación antes de su uso.*

■ Instale o almacene donde no esté expuesto a temperaturas por debajo del punto de congelamiento o expuesto a cualquier tipo de clima. El congelamiento del agua en el sistema podrá estropearlo. No intente tratar el agua por encima de 100°F.

■ No instale en **AGUA CALIENTE**. La temperatura del suministro de agua hacia el sistema de Ósmosis Inversa deberá estar entre 40°F mínimo y 100°F máximo. Consulte las *Pautas sobre las especificaciones*.

■ **Período prolongado sin uso del sistema de Ósmosis Inversa.** Si el sistema no es usado por una semana o más, abra el grifo de agua del sistema, permita que el sistema se drene. Cierre el grifo y permita que el sistema regenere el suministro de agua.

■ La instalación recomendada es debajo del lavaplatos. Sin embargo, la unidad se puede instalar en una ubicación remota, hasta 20 pies de distancia del lavaplatos. Podrían ser necesarios materiales adicionales para la instalación. Si el sistema de Ósmosis Inversa está conectado a la máquina de hielos de un refrigerador, se requiere de un kit para la conexión a la máquina de hielos (RV KIT). No utilice tubos de cobre para la conexión entre el sistema de Ósmosis Inversa y el refrigerador.

**⚠ ADVERTENCIA:** Deseche todas las partes no usadas y el material de empaque después de la instalación. Las partes pequeñas que sobren después de la instalación podrían presentar un riesgo de asfixia.

■ Desinfecte después de instalar el sistema de Ósmosis Inversa y después de dar servicio a las partes interiores, incluyendo la reposición del pre-filtro, post-filtro y cartucho del sistema de Ósmosis Inversa. Es importante tener las manos limpias al manipular las partes internas del sistema. Consulte la sección *Desinfección del sistema de Ósmosis Inversa*.

■ Este sistema de Ósmosis Inversa contiene un componente reemplazable crítico para la eficiencia del sistema. El reemplazo del componente del sistema de Ósmosis Inversa debería hacerse con uno de especificaciones idénticas, de acuerdo con lo definido por el fabricante para asegurar la misma eficiencia y funcionamiento de reducción de contaminantes. Ver la sección *Válvula de apagado automático*, página 54.

**ASEGÚRESE QUE SIGUIR TODOS DE LOS CÓDIGOS DEL ESTADO Y LOCAL.**

Solucionar problemas

Servicio al consumidor



**LEA Y SIGA CUIDADOSAMENTE ESTA INFORMACIÓN DE SEGURIDAD.  
CONSERVE ESTAS INSTRUCCIONES**



**Producto: 15" (38,1 cm) de alto 14" (35,6 cm) de ancho  
5,5" (14 cm) de profundidad**

El sistema produce un buen suministro de agua potable cada día.  
La cantidad producida dependerá principalmente de...

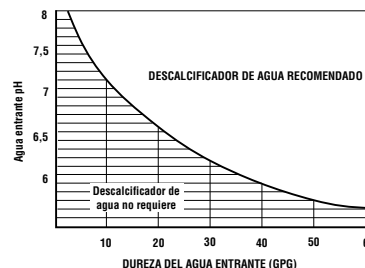
**Los límites de la presión del agua de alimentación—libras por pulgada cuadrada (psi) . . . . . 40–125°**

**Los límites de la temperatura del agua de alimentación—grados F mínimo y máximo. . . . . 40–100**

**Sólidos totales máximos disueltos—partes por millón (ppm) . . . . . 2000**

**Dureza máxima del agua a 6,9 pH recomendado para optimizar la vida de la membrana—granos por galón (gpg) . . . . . 10**

Para agua con dureza mayor a 10 granos (a 6,9 pH) se recomienda el uso de un descalcificador de agua. No instalar un descalcificador de agua reducirá la vida de la membrana del sistema de Ósmosis Inversa. Consulte la tabla para información adicional sobre la posible necesidad de un descalcificador de agua.



**Máxima cantidad de hierro, manganeso, sulfuro de hidrógeno (ppm) . . . . . <0,1**

**Cloro en el suministro de agua . . . . . 2,0 ppm permisible máximo<sup>b</sup>**

**Límites de pH en el agua de alimentación (pH) . . . . . 4–10**

**Agua producida (calidad), 24 horas—galones . . . . . 10,0 (38 L)<sup>a</sup>**

**Rechazo en porcentaje de TDS (membrana nueva) . . . . . 92,4%<sup>a</sup>**

**Reducción de quistes . . . . . 99,99%**

**Capacidad del tanque de almacenamiento—galones . . . . . 4<sup>d</sup>**

**Índice de eficiencia . . . . . 6,7%<sup>e</sup>**

**Índice de recuperación . . . . . 16,6%<sup>f</sup>**

**Control automático de apagado . . . . . Sí**

**Pre-filtro y post-filtro . . . . . (FX12P) Bloque de carbono**

**Membrana de Ósmosis Inversa . . . . . (FX12M) Poliamida de película delgada**

**Dimensiones. . . . . 15" (38,1 cm) de alto  
14" (35,6 cm) de ancho  
5,5" (14 cm) de profundidad**

- a. Prueba según el Estándar 58 de NSF/ANSI. Los parámetros de prueba del agua de la fuente son 50 psig, pH de  $7,5 \pm 0,5$ , y  $750 \pm 40$  ppm sólidos totales disueltos.
- b. Eliminado por el pre-filtro del sistema de Ósmosis Inversa. **SE REQUIERE UN MANTENIMIENTO FRECUENTE.** El cloro destruirá la membrana del sistema.
- c. Si la presión del agua de la casa está por encima de 125 psi, instale una válvula reductora de presión en la línea de suministro de agua. Si la presión del agua de la casa es inferior a 40 psi, instale una bomba elevadora para el sistema de Ósmosis Inversa (contacte a su compañía local de plomería).
- d. Capacidad teórica del tanque. Cuando probada de acuerdo con el Estándar 58 de NSF/ANSI y presión de entrada de 50 psig, la capacidad del tanque es 2,3 galones.
- e. El índice de eficiencia significa el porcentaje del agua entrante al sistema que está disponible para el usuario mientras el sistema de Ósmosis Inversa de agua trabaja en condiciones de operación que se aproximan al uso típico diario.
- f. El índice de recuperación significa el porcentaje de agua entrante a la porción de la membrana del sistema que está disponible al usuario mientras el sistema de Ósmosis Inversa trabaja con agua y el sistema es operado sin el tanque de almacenamiento o cuando el tanque de almacenamiento es circunvalado. 43

# Instrucciones de instalación

Sistema de filtración de Ósmosis Inversa

Modelo GXRM10GBL

Si tiene preguntas, llame al 1.800.GE.CARES (800.432.2737) o bien visite nuestra página Web: [www.geappliances.com](http://www.geappliances.com)

## ANTES DE INICIAR

Lea estas instrucciones completa y cuidadosamente.

- **IMPORTANTE** — Guarde estas instrucciones para uso del inspector local.
- **IMPORTANTE** — Observe todos los códigos y ordenanzas vigentes.
- **Nota al instalador** – Asegúrese de dejar estas instrucciones al consumidor.
- **Nota al consumidor** – Conserve estas instrucciones para consultas posteriores.
- La instalación apropiada es la responsabilidad del instalador.
- Las averías del producto causadas por una instalación inadecuada no están cubiertas por la garantía.
- Debe existir una válvula de cierre disponible o se debe agregar una cerca al punto de instalación.

## HERRAMIENTAS Y MATERIALES REQUERIDOS PARA LA INSTALACIÓN

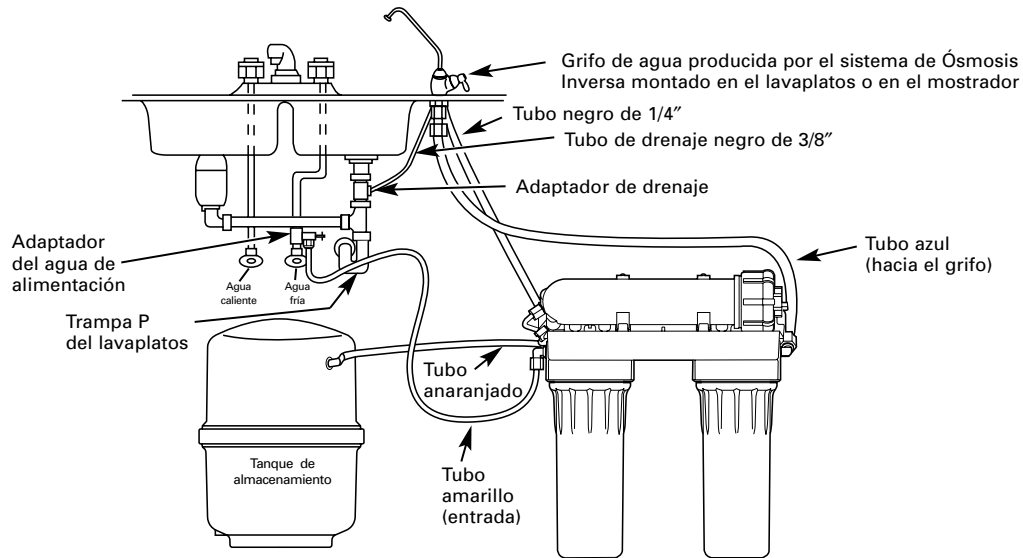
- Taladro y broca de 1-1/4" para taladro (tipo según el requerido) si se necesita montar el grifo
- Llaves abiertas ajustables
- Destornillador Phillips y recto
- Cuchillo

## CONTENIDOS INCLUIDOS CON EL PRODUCTO

- Ensamblaje del sistema de Ósmosis Inversa y tubería
- Literatura sobre el producto (manual del propietario e instalación) y hoja de datos funcionamiento
- Bolsa de partes de la entrada del suministro de agua
- Adaptador del tubo de drenaje
- Tanque de almacenamiento
- Grifo
- Cinta para los filetes del tubo

# Instrucciones de instalación

## Cosas a revisar antes de iniciar la instalación



### AGUA DE ALIMENTACIÓN

El suministro de agua hacia el sistema de Ósmosis Inversa debajo del mostrador debe tener las condiciones enumeradas en las especificaciones (vea la sección de *Pautas sobre las especificaciones*). Los suministros de agua locales con frecuencia tendrán estas condiciones. El agua de pozos puede necesitar acondicionamiento—haga que el agua sea analizada por un laboratorio y obtenga sus recomendaciones para tratamiento.

**PRECAUCIÓN:** Para aguas con una dureza mayor a 10 granos (a 6,9 pH), se recomienda el uso de un descalcificador. No instalar un descalcificador reducirá la vida de la membrana del sistema de Ósmosis Inversa. Consulte la sección de *Pautas sobre las especificaciones* para información adicional sobre la posible necesidad de un descalcificador.

### PUNTO DE DRENAJE

Un punto de drenaje adecuado y un vacío de aire (**consulte los códigos locales**) serán necesarios para el agua rechazada del cartucho de la membrana del sistema de Ósmosis Inversa.

### GRIFO DEL SISTEMA DE OI

El grifo del agua producida por el sistema de Ósmosis Inversa se instala en el lavaplatos o en la parte superior del mostrador al lado del lavaplatos. Con frecuencia se instala en un orificio existente en el lavaplatos. Se requiere espacio en la parte de abajo para la tubería hacia y desde el grifo, y para asegurar el grifo en su lugar. Todos los conexiones del grifo se instalan sobre o por encima del lavaplatos o mostrador. Vea la ilustración arriba.

### INSTALACIÓN EN SÓTANO

Si se va a instalar en un sótano, deje suficiente tubería en su lugar durante la instalación para poder mover la unidad hacia el piso para mayor facilidad en el servicio y hacer cambios al filtro/membrana. Tubería y accesorios adicionales se necesitarán.

# Instrucciones de instalación

## SUMINISTRO DE AGUA DE ALIMENTACIÓN

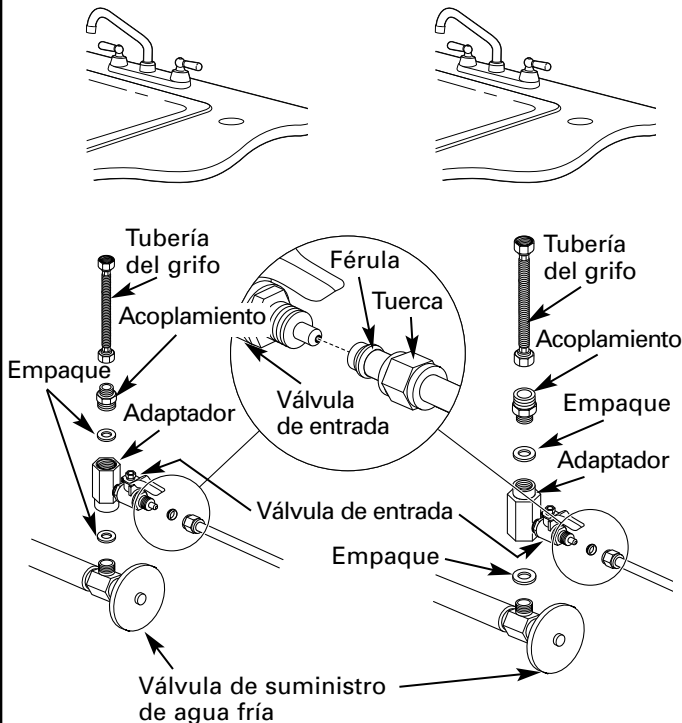
Revise y cumpla con los códigos locales de plomería al planear, luego instale un accesorio de suministro de agua de alimentación fría.

### A. INSTALACIÓN PREFERIDA

1. Cierre la válvula de suministro de agua fría debajo del lavaplatos.
2. Destornille el tubo flexible de la válvula de suministro que se conecta al elevador del agua FRÍA.
3. Instale el adaptador del agua de alimentación\* que es del diámetro para ajustarse a la plomería ya sea de 1/2" ó 3/8" en su ubicación. **NO APRIETE EN EXCESO.**  
\*Observe la dirección del adaptador del agua de alimentación y acoplamiento. Está instalado de forma diferente para ajustarse a la plomería ya sea de 1/2" ó 3/8" en su ubicación.

Para plomería de 3/8 po

Para plomería de 1/2 po



### B. INSTALACIÓN CASERA OPCIONAL

Donde los códigos lo permitan (Partes adicionales necesitarán)

**\*Para tubo metal de 1/2" DE o más largo únicamente.**

**NOTA:** Los códigos en el estado de Massachusetts requieren la instalación por parte de un plomero certificado y no permiten el uso de la válvula de montura. Para la instalación, use el código de plomería 248-CMR de Massachusetts.

La válvula de montura está disponible a través de Partes y Servicios de GE en el 1.800.626.2002, número de parte WS15X10023. No se recomiendan las válvulas de monturas de auto perforación.

1. Apague el suministro de agua fría y anexe la válvula de montura como se muestra en la ilustración en la página siguiente.

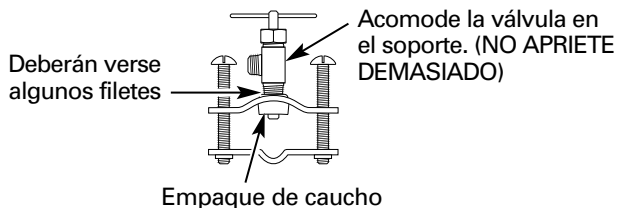
**⚠ PELIGRO:** Muchas casas se conectan electrónicamente a tierra a través de la plomería. Para protegerse de lesiones serias o de choques fatales, use únicamente un taladro manual operado con baterías para abrir el orificio. **NO USE UN TALADRO ELÉCTRICO.**

2. Cierre la válvula de suministro de agua girando la manija en el sentido del reloj.

# Instrucciones de instalación

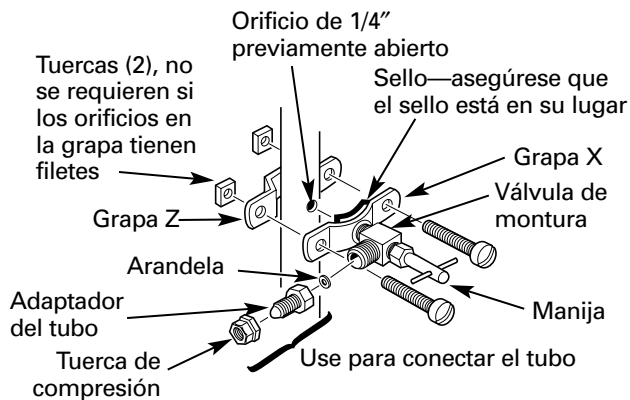
## B. INSTALACIÓN CASERA OPCIONAL (cont.)

- Abra la válvula principal de suministro del agua y varios grifos de la casa para purgar aire del sistema. Cierre los grifos cuando el agua corra suavemente.



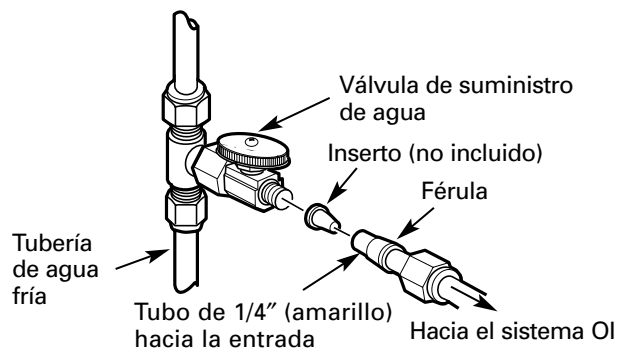
Conexión opcional del suministro de agua (usando válvula de montura)\*

\*Para tubo metal de 1/2" DE o más largo únicamente.



## C. INSTALACIÓN EN UNA UBICACIÓN REMOTA (requiere partes adicionales)

- Cierre el suministro de agua fría.
- En cumplimiento con los códigos de plomería, instale un accesorio en la tubería de agua fría para adaptar un tubo de 1/4" DE. En la ilustración abajo se muestra una conexión típica. Verifique que se utiliza una válvula de suministro de agua.
- Si la unidad de Ósmosis Inversa se va a instalar a más de 6 pies de la válvula, reemplace el tubo amarillo con un tubo GE de mayor longitud de 1/4". Puede adquirir una longitud de 33 pies de tubo de 1/4" a través de Partes y Servicios de GE en el 1.800.626.2002, número de parte WS07X10018. **NO REEMPLACE CON TUBOS DE CALIDAD DESCONOCIDA.**
- Si la unidad de Ósmosis Inversa se va a instalar a más de 6 pies del grifo, reemplace el tubo azul con un tubo GE de mayor longitud de 3/8". Puede adquirir una longitud de 33 pies de tubo de 3/8" a través de Partes y Servicios de GE en el 1.800.626.2002, número de parte WS07X10019. Consulte la sección Instalación del grifo en la página 48 para mayores detalles. **NO REEMPLACE CON TUBOS DE CALIDAD DESCONOCIDA.**



Si está utilizando tubos de cobre, **NO** los conecte directamente en la unidad de Ósmosis Inversa. Adquiera un conector y utilice una longitud corta del tubo amarillo que se suministra para hacer la conexión final hacia el sistema de Ósmosis Inversa. No utilice tubos de cobre para conectar a la máquina de hielos o al grifo.

# Instrucciones de instalación

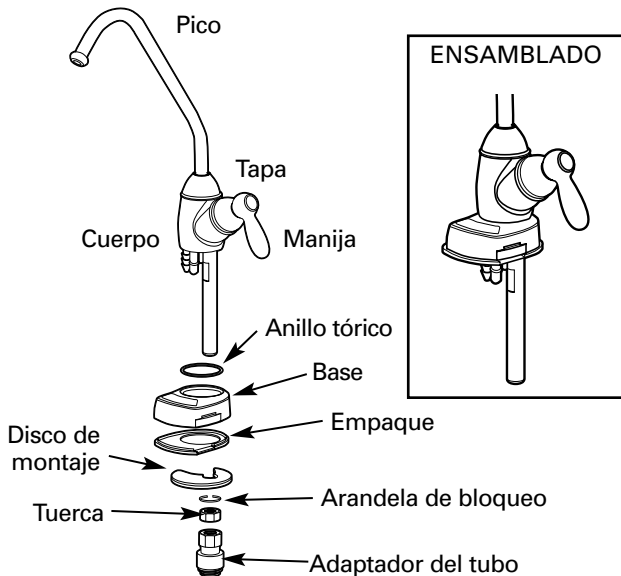
## INSTALACIÓN DEL GRIFO

Asegúrese de que haya espacio debajo del lavaplatos para hacer las conexiones necesarias. Seleccione uno de los siguientes lugares para instalar el grifo:

- En un accesorio existente para rociar, en el lavaplatos u orificio para dispensar jabón.
- En un orificio a perforarse en la parte superior del lavaplatos.
- En un orificio a perforarse en el mostrador, al lado del lavaplatos.

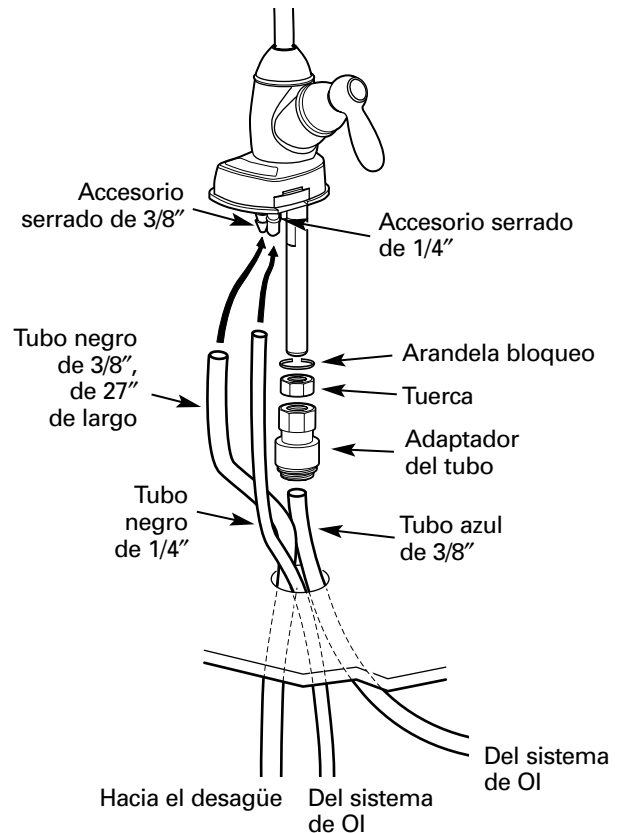
**NOTA:** Asegúrese de que la base del grifo quede plana contra la superficie en la ubicación seleccionada de manera que el empaque selle.

1. Si es necesario, perfora para hacer un orificio de 1-1/4" de diámetro. **Cerchiórese de seguir el procedimiento correcto para perforar porcelana o acero inoxidable.**
2. Inserte el pico del grifo en el cuerpo. Apriete la tapa hasta que esté ajustada.
3. Introduzca el tubo azul, tubo negro de 1/4" y tubo negro de 3/8" a través del orificio en el mostrador o lavaplatos.
4. Introduzca los dos tubos negros a través del empaque, la base del grifo y el anillo tórico.



**NOTA:** Para facilidad de servicio y mantenimiento, mantenga los tubos de longitud suficiente de manera que remover el sistema de Ósmosis Inversa sea posible desde abajo del lavaplatos.

5. Empuje los tubos negros de 1/4" y 3/8" en sus respectivos accesorios serrados en el cuerpo.
6. Acomode la base y el cuerpo juntos. Cerchiórese de que el anillo tórico y el empaque estén en su lugar cuando la base se encuentre con el cuerpo. La manija del grifo estará en la posición de las 3 en el reloj con respecto a la base.
7. Deslice la arandela de bloqueo en el vástago roscado del cuerpo, luego enrosque la tuerca de latón en el vástago. Atornille hasta la mitad.
8. Atornille el adaptador del tubo en el vástago roscado del cuerpo.
9. Empuje el tubo azul en el adaptador. Debe entrar hasta 1/2". Hale para cerciorarse de que está firmemente instalado.
10. Introduzca el tubo y el vástago de nuevo por el orificio de 1-1/4".
11. Debajo del mostrador, inserte el disco de montaje por encima de la arandela de bloqueo y apriete la tuerca de latón hasta que esté ajustada.





# Instrucciones de instalación

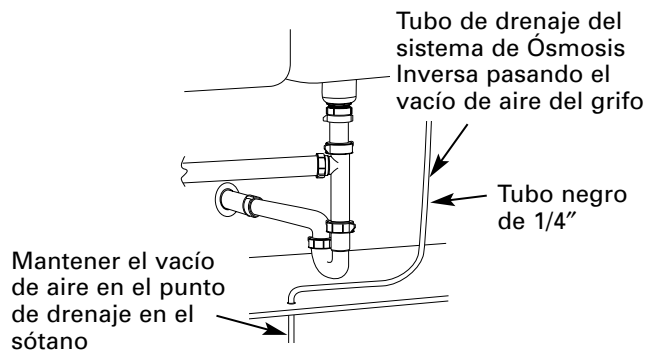
## INSTALACIÓN DE LA CONEXIÓN DEL DRENAJE DE FILTRACIÓN

Revise y cumpla con todos los códigos estatales y locales de plomería.

**⚠ PRECAUCIÓN:** Las opciones detalladas a continuación son las ÚNICAS configuraciones aprobadas para instalación. No use ningún dispositivo de montura de drenaje.

### OPCIÓN A: INSTALACIÓN DE ACCESO AL SÓTANO

Enrute el tubo de drenaje (negro, 1/4") DIRECTAMENTE desde el sistema de Ósmosis Inversa hacia una torre depósito en el sótano, pasando el vacío de aire provisto en el grifo. El tubo de drenaje puede también ser enrutado en el sótano hacia un drenaje del piso o tina de lavar, siempre y cuando el vacío de aire en el sótano se mantenga. Evite hundimientos, vueltas o caídas en el tubo de drenaje. El vacío del aire del sótano y la configuración de la instalación del drenaje deberán adaptarse a todos los códigos locales. Existen accesorios especiales de vacío del aire para conectar el tubo de drenaje a la parte superior de la torre depósito.

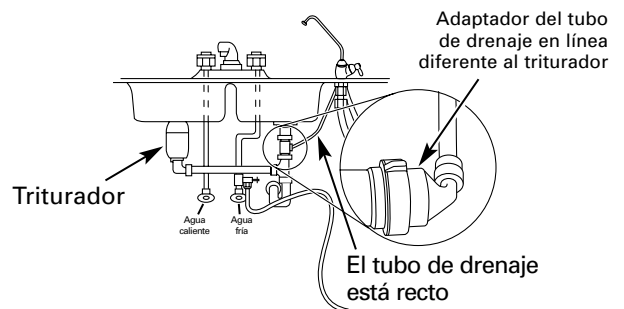


### OPCIÓN B: INSTALACIÓN DEL ADAPTADOR DEL TUBO DE DRENAJE

**⚠ PRECAUCIÓN!** NO INSTALE EL ADAPTADOR DEL TUBO DE DRENAJE HACIA ABAJO DEL TRITURADOR.

Instale el adaptador del tubo de drenaje que se suministra debajo del lavaplatos como se exhibe. El deflector en T suministrado debe estar en su lugar (adquiera e instale si es necesario) para evitar una obstrucción en el tubo de drenaje del sistema de Ósmosis Inversa. Dirija el tubo de drenaje (negro, 3/8") desde el vacío de aire del grifo hacia el adaptador del tubo de drenaje, verificando que no haya inclinaciones, curvas o puntos bajos en la línea que podrían resultar en un tubo de drenaje obstruido.

**El tubo se debe cortar a la longitud para brindar una línea recta desde el grifo hasta el drenaje.**



El ruido en el drenaje del lavaplatos es normal mientras el sistema de Ósmosis Inversa está operando.

# Instrucciones de instalación

## TUBO DE DRENAJE DEL GRIFO Y TUBO DE SUMINISTRO DE AGUA

Si OPCIÓN A: INSTALACIÓN DE ACCESO AL SÓTANO (consulte la sección *Instalación de la conexión del drenaje de filtración*, página 49) se utilizó, siga con el Paso 2.

**1** Si OPCIÓN B: INSTALACIÓN DEL ADAPTADOR DEL TUBO DE DRENAJE se utilizó, conecte el tubo de drenaje del grifo corriendo el tubo negro de 3/8" del accesorio serrado del grifo de 3/8" al accesorio de drenaje (instalado en la sección *Instalación de la conexión del drenaje de filtración*, página 49). Mantenga la extensión del tubo tan corta y directa como sea posible sin curvas, inclinaciones o puntos bajos. Corte el tubo según sea necesario e inserte en el accesorio de drenaje.

**2** Para conectar el tubo de suministro de agua: Extienda el tubo amarillo de 1/4" desde la entrada del sistema de Ósmosis Inversa hacia el adaptador del agua de alimentación (vea las ilustraciones en la sección *Suministro de agua de alimentación*). Conecte el tubo según corresponda (consulte la sección *Suministro de agua de alimentación*) y apriete la tuerca firmemente.

## MONTAJE DEL SISTEMA DE ÓSMOSIS INVERSA E INSTALACIÓN DEL TANQUE DE ALMACENAMIENTO

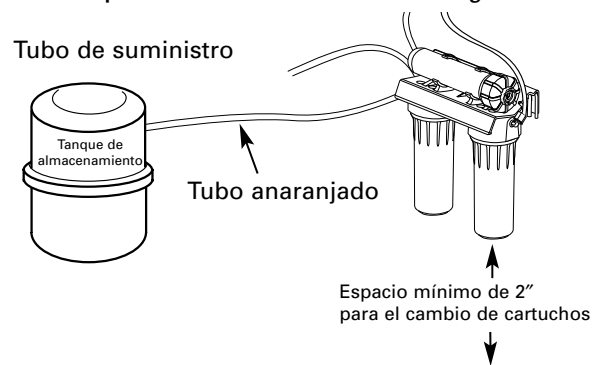
**1** Sostenga la ensambladura del sistema de Ósmosis Inversa levantada hasta la superficie de la pared donde se instalará. Marque la ubicación de los tornillos. Las flechas en la parte superior del soporte muestran la ubicación de los orificios de los tornillos.

**2** Se incluyen tornillos para sujetar a una superficie de madera. Adquiera otros tornillos según sea necesario.

**3** Cuelgue la ensambladura del sistema de Ósmosis Inversa en los tornillos.

**4** Aplique cinta de sellado de rosca de tubos al accesorio del tanque. Inserte en las roscas del tanque. Apriete con una llave.

**5** Conecte el tubo al tanque de almacenamiento: Extienda la longitud del tubo anaranjado de 3/8" desde el accesorio en T de módulo de Ósmosis Inversa hasta el accesorio en la entrada del tanque.



## AHORA QUE SU SISTEMA DE ÓSMOSIS INVERSA ESTÁ INSTALADO... DESINFECTE!

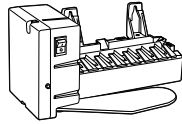
Desinfecte después de instalar y después de poner en servicio las partes internas, incluyendo la reposición del pre-filtro y post-filtro y el cartucho del sistema de Ósmosis Inversa. Es importante lavarse las manos con jabón anti-bacterial antes de manipular las partes internas del sistema. Consulte la sección *Desinfección*.

**PRECAUCIÓN:** Si está instalado la unidad en una nueva construcción, asegúrese de que la plomería de la casa ha sido lavada completamente antes de abrir la válvula de suministro de agua. También, antes de desinfectar, asegúrese de retirar todos los cartuchos según se describe en la sección *Desinfección*. El cloro destruirá el cartucho del sistema de Ósmosis Inversa.

# Instrucciones de instalación

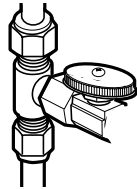
## PROCEDIMIENTO PARA LA REPOSICIÓN DEL PRE-FILTRO, POST-FILTRO Y CARTUCHO DEL SISTEMA DE ÓSMOSIS INVERSA, INCLUYENDO DESINFECCIÓN

- 1** APAGUE la máquina de hielos (si está instalada en el sistema de Ósmosis Inversa).



- 2** Lave sus manos con jabón anti-bacterial.

- 3** Cierre el suministro de agua hacia el sistema de Ósmosis Inversa.

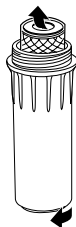


- 4** Abra el grifo del sistema de Ósmosis Inversa. Drene el tanque (podría tomar varios minutos). Cierre el grifo del sistema de Ósmosis Inversa.

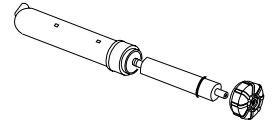
**PRECAUCIÓN:** No cerrar la válvula de suministro de agua o la válvula de cierre del tanque causará que el agua se riegue hacia donde se han retirado los sumideros.

- 5** Retire los sumideros. Tenga cuidado—éstos estarán llenos de agua.

Deseche los filtros. Lave completamente los sumideros con jabón para platos. Limpie completamente el interior de las cabezas con papel toalla humedecido con jabón para platos. Enjuague bien.



- 6** Retire la tapa de la caja protectora del cartucho del sistema de Ósmosis Inversa (destornille el tubo primero, en algunos modelos). Use alicates para retirar el cartucho del sistema de Ósmosis Inversa. Coloque en una bolsa plástica o deseche si está reemplazando. Limpie por completo el interior de la caja protectora y tapa con papel toalla o cepillo para platos humedecido con jabón para platos. Enjuague bien.



- 7** Reemplace el sumidero de post-filtro vacío.



- 8** Llene el sumidero de pre-filtro con agua hasta a 1" del anillo tórico. Agregue 2 oz. (4 cdas.) de cloro casero común. Reemplace el sumidero de pre-filtro.

- 9** Abra la válvula de suministro de agua. Abra el grifo del sistema de Ósmosis Inversa hasta que el agua empiece a fluir, luego cierre. Permita que el sistema se llene por 1 minuto.

- 10** Abra el grifo y permita que el agua fluya por 10 minutos. Cierre el grifo por 1 minuto, luego abra y permite que el agua fluya por 10 minutos, o hasta que el olor a cloro desaparezca. Cierre el suministro de agua nuevamente. Drene el sistema de Ósmosis Inversa.

- 11** Retire los sumideros. Inserte los filtros. Lubrique el anillo tórico con grasa silicona comestible, si es necesario. (No utilice vaselina). Apriete los sumideros firmemente.

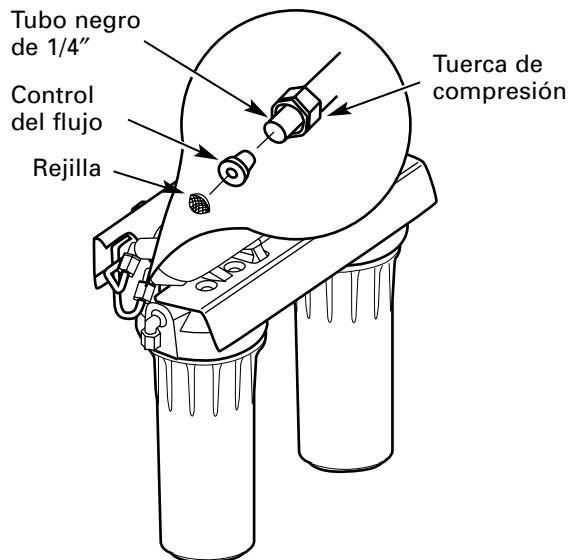


# Instrucciones de instalación

## PROCEDIMIENTO PARA LA REPOSICIÓN DEL PRE-FILTRO, POST-FILTRO Y CARTUCHO DEL SISTEMA DE ÓSMOSIS INVERSA, INCLUYENDO DESINFECCIÓN (cont.)

- 12** Retire la tapa de la caja protectora del cartucho del sistema de Ósmosis Inversa. Instale el cartucho del sistema de Ósmosis Inversa, el extremo del anillo tórico primero. Lubrique el anillo tórico de la tapa con grasa silicona comestible, si es necesario. (NO utilice vaselina). Apriete la tapa firmemente.

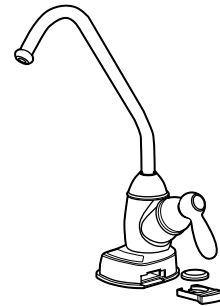
- 13** Si reemplazó el cartucho del sistema de Ósmosis Inversa, también reemplace el control del flujo y la rejilla. (Destornille el tubo negro de 1/4" del accesorio. Retire el control del flujo con el borde de un cuchillo limpio. Retire la rejilla con un palillo limpio). Apriete la tuerca con la mano y luego dé 1/4 de giro con alicates. **NO APRIETE EN EXCESO.**



- 14** Abra el suministro de agua. Permita que se llene. (Puede tomar hasta 4 horas). **Revise en busca de fugas.**

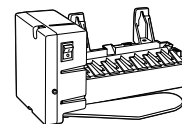
- 15** Reemplace las baterías en el indicador de cambio de filtro:

- Utilice un destornillador pequeño de pala plana o una moneda y con cuidado abra el compartimiento de baterías.
- Instale la batería CR2032 con el lado (+) hacia abajo dentro de la bandeja.
- Deslice la bandeja hacia la base y ajuste en su lugar.
- La luz se prenderá 5 veces de forma intermitente para indicar la instalación correcta. Después de 6 meses de uso, la luz se encenderá nuevamente de forma intermitente, indicado que es el momento de reemplazar el filtro. Instale una nueva batería CR2032 después de 6 meses de uso.



- 16** Si sólo reemplazó el pre-filtro y el post-filtro, permita que el grifo corra por 5 minutos para retirar partículas inofensivas de carbono. Si reemplazó el cartucho del sistema de Ósmosis Inversa, llene y desocupe el tanque de almacenamiento tres veces, hasta que el sabor y olor del preservativo de la membrana comestible desaparezcan.

- 17** Una vez que el tanque de almacenamiento esté lleno, encienda la máquina de hielos.



**Para obtener filtros de repuesto, llame sin costo a Repuestos de electrodomésticos de GE al 800.626.2002 (EE.UU.), 800.663.6060 (Canadá-inglés), 800.361.3869 (Canadá-francés), o visite la tienda donde adquirió el sistema de Ósmosis Inversa.**

<i>Repuesto de cartucho pre-filtro/post-filtro FX12P</i>	<i>Bloque de carbono</i>
<i>Repuesto de cartucho del sistema de Ósmosis Inversa FX12M</i>	<i>Poliamida de película delgada</i>

**⚠ PRECAUCIÓN:** Antes de poner en servicio el sistema de Ósmosis Inversa, cierre el suministro de agua/válvula de montura y abra el grifo de agua del sistema de Ósmosis Inversa. Permita que el sistema se drene.

## **Kit de prueba del agua**

Para obtener un kit de prueba del agua de un laboratorio independiente, llame a Legend Technical Services al 1.800.826.8553 ext. 47 y deje sus datos para contactarlo. Ellos le contactarán para averiguar qué pruebas de agua le interesan, y le informarán sobre el costo de las pruebas. Luego recibirá un kit que incluye todas las pruebas necesarias para indicar correctamente el nivel de desempeño de su sistema. El agua del producto se debe someter a prueba como mínimo cada seis meses.

# Sobre el sistema de Ósmosis Inversa.

Seguridad

Operación

Instalación

Solucionar problemas

Servicio al consumidor

## ¿Qué hace el sistema de Ósmosis Inversa?

El sistema de Ósmosis Inversa retira los Sólidos totales disueltos (TDS—Total Dissolved Solids) y la materia orgánica del agua al dispersarla a través de una membrana especial. La membrana separa los minerales e impurezas del agua y los expulsa hacia el desagüe. El agua producida de alta calidad va directamente hacia el grifo de agua para consumo o hacia el tanque de almacenamiento. El sistema produce un buen suministro de agua para consumo cada día. Consulte las *Pautas sobre las especificaciones*. La cantidad que produzca depende de la presión, temperatura y calidad del suministro de agua.

El *pre-filtro* y *post-filtro de carbono* son cartuchos reemplazables. El *pre-filtro* elimina el cloro al mismo tiempo que filtra los sedimentos. El *post-filtro* elimina cualquier otro sabor u olor no deseados antes de usar el agua.

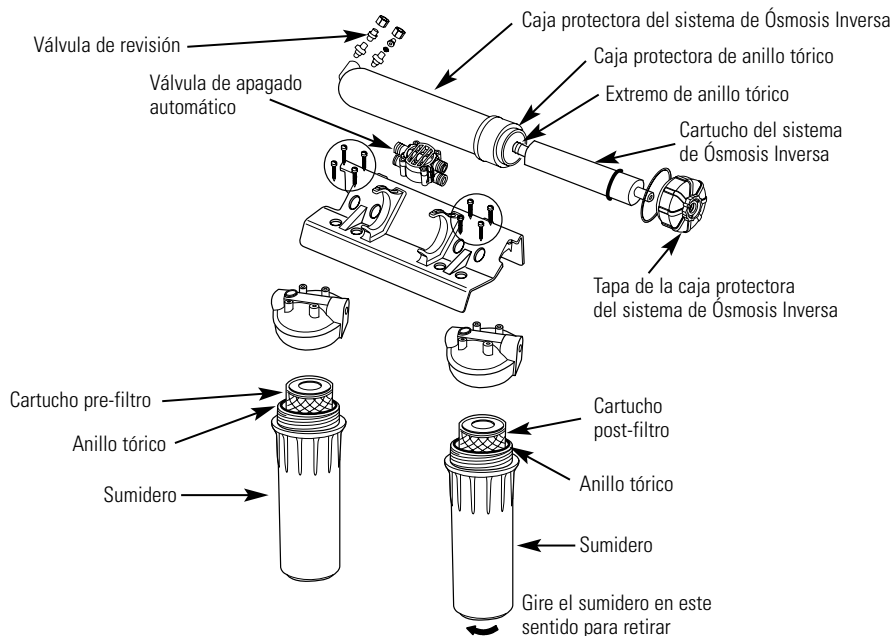
## Descripción del sistema de Ósmosis Inversa

**Pre-filtro**—El agua de la tubería de suministro de agua fría llega al cartucho del pre-filtro, el cual está dentro del sumidero. El pre-filtro es un cartucho de sedimentos reemplazable que contiene carbono activado. El carbono elimina arena, cieno, tierra, otros sedimentos y hasta 2,0 ppm de cloro del agua de alimentación. El pre-filtro reduce el cloro en el agua de alimentación ya que el **CLORO DESTRUYE LA MEMBRANA DEL SISTEMA DE ÓSMOSIS INVERSA**. El agua filtrada, limpia, con cloro reducido fluye desde el pre-filtro hacia el cartucho del sistema de Ósmosis Inversa.

**Tanque de almacenamiento**—El área de almacenamiento tiene capacidad hasta de 3 galones de agua producida. Un diafragma al interior del tanque mantiene el agua presurizada, cuando el tanque está lleno, para un rápido flujo hacia el grifo cuando se necesite consumir agua.

**Válvula de revisión**—Una válvula de revisión está incorporada en un extremo de la caja del sistema de Ósmosis Inversa. La válvula de revisión evita un flujo inverso del agua producida desde el área de almacenamiento. Un flujo inverso podría causar que la membrana del sistema de Ósmosis Inversa se rompiera.

**Válvula de apagado automático**—Para conservar el agua, el sistema de agua de consumo tiene un apagado automático. Cuando el tanque de almacenamiento ha llenado su capacidad y el grifo de agua de consumo está cerrado, la presión cierra el apagado automático. El flujo de agua hacia la caja del sistema de Ósmosis Inversa se apaga hasta que el agua de consumo se use nuevamente y la presión caiga en el sistema de Ósmosis Inversa.

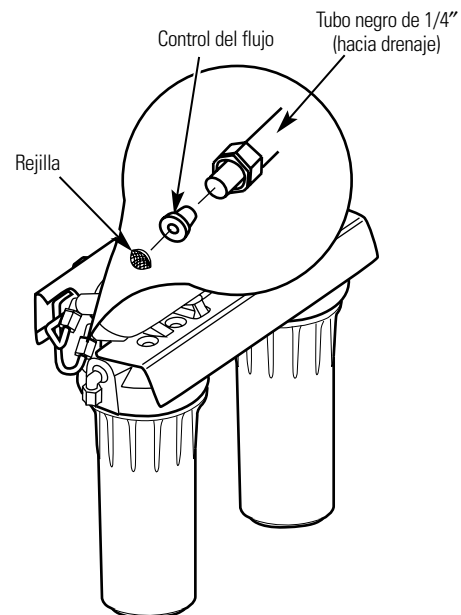


**Cartucho del sistema Ósmosis Inversa**—El cartucho, al interior de la caja del sistema de Ósmosis Inversa, incluye una membrana especial fuertemente envuelta. El agua penetra a través del cartucho donde la membrana retira los sólidos disueltos y la materia orgánica. El agua producida de alta calidad sale de la caja del sistema de Ósmosis Inversa y se dirige hacia el tanque de almacenamiento. El agua rechazada, con los sólidos disueltos y la materia orgánica sale de la caja y se descarga en el drenaje a través de un tubo.

**Post-filtro**—Después de salir del área de almacenamiento, pero antes de ir hacia el grifo del sistema, el agua producida va hacia el post-filtro que se encuentra dentro del sumidero. El post-filtro es también un cartucho de sedimento que puede ser reemplazado que contiene carbono activado. Cualquier sabor, olor o sedimentos restantes son retirados del agua producida por el post-filtro. Agua limpia, de alta calidad, lista para tomar fluye a través del tubo hacia el grifo del sistema.

**Monitor del sistema**—Se incluye un temporizador en la base del grifo para recordarle el momento de reemplazar el pre-filtro y post-filtro. Reemplace los filtros cuando la luz azul empiece a encenderse de forma intermitente para proteger la membrana del sistema de Ósmosis Inversa y mantenga el sistema operando correctamente. Cerciórese de retirar y reemplazar la batería al mismo tiempo que reinicializa el temporizador.

**Control del flujo**—El control del flujo regula el flujo de agua a través del cartucho del sistema de Ósmosis Inversa al ritmo requerido para producir agua de alta calidad. El control está ubicado en el accesorio de unión en el puerto de drenaje de la caja del sistema de Ósmosis Inversa. Una rejilla pequeña en forma de cono se ajusta al extremo frontal del control del flujo para evitar la obstrucción debido a sedimentos en el agua de drenaje. El control del flujo y la rejilla deberán reemplazarse cada vez que se cambie el cartucho del sistema de Ósmosis Inversa.



# Antes de llamar a solicitar servicio...



Consejos para la solución de fallas  
¡Ahorre tiempo y dinero! Revise la tabla primero y quizás no necesite llamar a solicitar un servicio.

Seguridad

Operación

Instalación

Solucionar problemas

Servicio al consumidor

Problema	Posible causas	Qué hacer
<b>Sonidos que pueda escuchar</b>	Fluido de agua desde la unidad hacia un drenaje.	• Esto es normal.
<b>El agua tiene burbujas de aire y está turbia</b>	Aire en el sistema después de la instalación.	• Desaparecerá después de que el agua corra por un tiempo.
	<b>Sabor y/u olor a cloro en el agua producida por el sistema de Ósmosis Inversa</b>	<p>El nivel de ppm de cloro en su suministro de agua supera los límites máximos y ha destruido la membrana del sistema de Ósmosis Inversa.</p> <p>El pre-filtro ya no está retirando el cloro del suministro de agua.</p>
<b>Otro sabor y/u olor</b>	Agua producida de alta calidad puede tener un sabor diferente al que está acostumbrado.	• Esto es normal.
	Bajo uso de agua.	• Drene completamente el sistema y permita que se vuelva a llenar.
	Contaminación en almacenamiento del agua producida.	• Siga los procedimientos de desinfección.
<b>El pre-filtro, post-filtro y/o el cartucho deben ser cambiados.</b>		• Reponga el pre-filtro y post-filtro. Si el sabor y olor persisten, reemplace el cartucho, control del flujo y rejilla del sistema de Ósmosis Inversa.
	<b>Agua goteando del orificio del vacío de aire del grifo</b>	El lado de drenaje del vacío de aire del grifo (tubo de 3/8") está obstruido, restringido o incorrectamente conectado hacia el punto de drenaje.
<b>El sistema produce el agua muy lentamente</b>	Esto es normal.	• El ritmo de flujo del agua será inferior que el de su llave normal.
	El suministro de agua hacia el sistema Ósmosis Inversa no está dentro de las especificaciones.	• Aumente la presión del agua, precondicione el agua, etc., según sea necesario para adaptarse antes de hacer mantenimiento el sistema de Ósmosis Inversa.
	El cartucho de pre-filtro está obstruido con sedimentos y/o el cartucho del sistema de Ósmosis Inversa está obstruido con sedimentos.	• Reemplace el pre-filtro y post-filtro. Si el ritmo no aumenta, reemplace el cartucho del sistema de Ósmosis Inversa, control del flujo y rejilla.
<b>La luz del grifo está intermitente</b>	El pre-filtro y post-filtro necesitan reposición.	• Reemplace los filtros. No olvide desinfectar el sistema al reemplazo de los filtros.
	El temporizador no se reinició cuando se reemplazaron los filtros.	• Retire y reemplace la batería en la base del grifo.
<b>Han transcurrido seis meses y la luz del grifo no está intermitente</b>	La batería podría haberse agotado.	• Reemplace la batería. <b>NOTA:</b> Reemplazar la batería reinicializa el temporizador de seis meses, así que cerciórese de que reemplaza el pre-filtro y post-filtro cuando es el momento de hacerlo.
	Es posible que la batería se haya retirado recientemente.	• Cada vez que la batería se retire y se vuelva a reinsertar, el temporizador de seis meses empieza nuevamente. No retire la batería a menos que desee reinicializar el temporizador.





# Catálogo de partes de General Electric.

	NO. REF.	PARTE NO.	DESCRIPCIÓN DE LA PARTE	GXRM10GBL
Seguridad	0001	WS15X10037	CUERPO Y PICO DEL GRIFO	1
	0002	WS22X10037	CONEXIÓN RÁPIDA DE 3/8"—GRIFO	1
	0003	WS22X10005	TUERCA DE 1/4"	10
	0004	WS22X10026	CODO DE TUERCA DE 3/8" NPT X 1/4"	2
	0005	WS22X10006	INSERTO DE TUBO DE 1/4"	8
	0006	WS22X10038	VÁLVULA—APAGADO AUTOMÁTICO	1
	0007	WS22X10039	TUBO EN T DE 1/4" X 3/8" X 3/8"	1
	0008	WS22X10008	TUERCA DE 3/8"	4
	0009	WS22X10007	INSERTO DE TUBO DE 3/8"	4
	0010	WS22X10040	VÁLVULA DE REVISIÓN— INSERTO DE 1/4"	1
Operación	0011	WS22X10041	ACCESORIO DE 1/8" NPT X 1/4"	1
	0012	WS03X10016	CONTROL DEL FLUJO	1
	0013	WS03X10015	REJILLA CÓNICA	1
	0014	WS22X10002	CODO DE TUERCA DE 3/8" NPT X 3/8"	2
	0015	FX12M	MEMBRANA DEL SISTEMA DE ÓSMOSIS INVERSA	1
	0016	WS03X10045	ANILLO TÓRICO— CAJA PROTECTORA DE MEMBRANA DEL SISTEMA DE ÓSMOSIS INVERSA	1
Instalación	0017	WS31X10025	TAPA—CAJA PROTECTORA DE MEMBRANA DEL SISTEMA DE ÓSMOSIS INVERSA	1
	0018	WS22X10042	ACCESORIO DE 1/8" NPT X 1/4"	1
	0019	WS22X10043	CODO—VÁSTAGO DE 1/4" X 1/4"	1
	0020	WS20X10006	CAJA PROTECTORA DE MEMBRANA DEL SISTEMA DE ÓSMOSIS INVERSA	1
	0021	WS28X10039	SOPORTE	1
	0022	WS22X10044	CONECTOR—3/8" X 3/8" MNPT	1
	0023	WS32X10019	TANQUE DE ALMACENAMIENTO	1
	0024	WX5X140	LLAVE INGLESA	1
	0025	WS03X10038	ANILLO TÓRICO, CAJA PROTECTORA DEL SUMIDERO	2
	0026	FX12P	CARTUCHO DE BLOQUEO DE CARBONO	2
Solucionar problemas	0027	WS20X10007	CAJA PROTECTORA DEL SUMIDERO	2
	0028	WS18X10006	ADAPTADOR DEL TUBO DE DRENAJE—DLA9	1
	0029	WS18X10009	KIT ADAPTADOR— AGUA DE ALIMENTACIÓN	1
	0030	WS10X10028	ENSAMBLAJE DE LA BASE DEL GRIFO	1
	0031	WS02X10031	ARANDELA Y TUERCA—GRIFO	1
	0033	WS02X10032	TORNILLOS, SOPORTE	8
	0034	WS31X10026	CABEZA DE LA CAJA PROTECTORA	2
	0035	WS15X10023	VÁLVULA DE MONTURA	1
	0036	WS07X10018	TUBO—1/4" X 33'—BLANCO	1
	0037	WS07X10019	TUBO—3/8" X 33'—BLANCO	1
	0038	WS01X10013	TIRAS DE PRUEBA DE NITRATO	1
	0039	WS02X10033	TORNILLOS PARA INSTALACIÓN	2
	9999	49-50106	MANUAL DEL PROPIETARIO/ INSTRUCCIONES DE INSTALACIÓN	1

**Para obtener partes de repuesto, llame sin costo al 800.626.2002 (EE.UU.), 800.663.6060 (Canadá—inglés), 800.361.3869 (Canadá—francés).**

**\* NOTA:** Los códigos del estado de Massachusetts requieren de instalación por parte de un plomero certificado y no permiten el uso de válvula de montura. Para la instalación, use el código de plomería 248-CMR de Massachusetts.

# **Notas.**

---

**Seguridad**

**Operación**

**Instalación**

**Solucionar problemas**

**Servicio al consumidor**

# **Notas.**

---

**Seguridad**

**Operación**

**Instalación**

**Solucionar problemas**

**Servicio al consumidor**

# Notas.

---

**Seguridad**

**Operación**

**Instalación**

**Solucionar problemas**

**Servicio al consumidor**

# Garantía del Sistema Ósmosis Inversa.

Seguridad



Todo servicio de garantía será proporcionado por un Proveedor de Servicio GE SmartWater™ autorizado. Para concertar una cita en línea, visítenos 24 horas al día a [www.GEAppliances.com](http://www.GEAppliances.com), o llámenos gratuitamente al 800.GE.CARES (U.S.) o al 866.777.7627 (Canadá).

Grape aquí su recibo. Se requiere facilitar prueba de la fecha de compra original para obtener un servicio bajo la garantía.

Operación

## Por el período de: **GE repondrá:**

### Un año

A partir de la fecha de compra original

**Cualquier parte** del Sistema de Filtración de Ósmosis Inversa cuya falla se deba a un defecto material o de mano de obra. Durante esta **garantía limitada de un año**, GE también ofrecerá **sin costo**, toda la mano de obra (no incluye el viaje de servicio hasta la casa) para reemplazar la parte defectuosa. Todo servicio de garantía será proporcionado por un Proveedor de Servicio GE SmartWater™ autorizado.

Instalación

## Qué no cubrirá GE:

- Visitas de servicio hasta su casa para enseñarle cómo usar el producto.
- Instalación, entrega o mantenimiento incorrectos.
- Falla del producto si es abusado, mal utilizado o usado con un fin diferente al propósito pretendido.
- Filtros o membranas.
- Los defectos que resulten de una instalación inapropiada o daños no causados por GE.
- La responsabilidad legal de parte de GE bajo esta u otra garantía por cualquier daño indirecto o consecuencial.
- Productos que son usados para aplicaciones comerciales o industriales.
- Uso de este producto donde el agua sea microbiológicamente insegura o de calidad desconocida, sin una desinfección adecuada. Los sistemas certificados para la reducción de quistes pueden ser usados en agua desinfectada que puede contener quistes filtrables.
- La reposición de fusibles caseros o arreglo de cortocircuitos.
- Daño al producto causado por accidente, incendio, inundación o actos de Dios.
- Daños incidentales o consecuentes causados por posibles defectos con este aparato.
- Daños causados después de la entrega.

Esta garantía se extiende al comprador original y a cualquier propietario posterior de productos adquiridos para uso casero dentro de los EE.UU. En Alaska, la garantía excluye el costo de envío o llamadas de servicio a su casa.

Algunos estados no permiten la exclusión o límite de daños incidentales o consecuentes. Esta garantía le concede sus derechos legales específicos, y también puede tener otros derechos que varían de estado a estado. Para conocer cuáles son sus derechos legales, consulte a su oficina local o estatal de asuntos del cliente o a la Procuraduría de su estado.

**ESTA GARANTÍA REEMPLAZA CUALQUIER OTRA GARANTÍA, EXPRESA O IMPLICADA, INCLUYENDO LAS GARANTÍAS DE COMERCIALIZACIÓN O PROPIEDAD PARA UN PROPÓSITO PARTICULAR.**

Solucionar problemas

**Garante: General Electric Company. Louisville, KY 40225**

Servicio al consumidor

## Soporte al consumidor.

---



### *Página Web de GE Appliances*

[www.GEAppliances.com](http://www.GEAppliances.com)

¿Tiene alguna pregunta sobre su electrodoméstico? ¡Pruebe la página Web de GE Appliances 24 horas al día, cualquier día del año! Para mayor conveniencia y servicio más rápido, ya puede descargar los Manuales de los Propietarios, pedir piezas o incluso hacer una cita en línea para que vengan a realizar una reparación. También puede “Ask Our Team of Experts™” (Preguntar a nuestro equipo de expertos) sobre cualquier cuestión y mucho más...



### *Solicite una reparación*

[www.GEAppliances.com](http://www.GEAppliances.com)

El servicio de expertos GE está a tan sólo un paso de su puerta. ¡Entre en línea y solicite su reparación cuando le venga bien 24 horas al día cualquier día del año! O llame al 800.GE.CARES (800.432.2737) durante horas normales de oficina.



### *Real Life Design Studio (Estudio de diseño para la vida real)* [www.GEAppliances.com](http://www.GEAppliances.com)

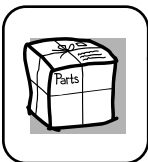
GE apoya el concepto de Diseño Universal—productos, servicios y ambientes que pueden usar gente de todas las edades, tamaños y capacidades. Reconocemos la necesidad de diseñar para una gran gama de habilidades y dificultades físicas y mentales. Para más detalles sobre las aplicaciones de GE Diseño Universal, incluyendo ideas de diseño para la cocina para personas con discapacidades, mire nuestra página Web hoy mismo. Para personas con dificultades auditivas, favor de llamar al 800.TDD.GEAC (800.833.4322).



### *Garantías ampliadas*

[www.GEAppliances.com](http://www.GEAppliances.com)

Compre una garantía ampliada y obtenga detalles sobre descuentos especiales disponibles mientras su garantía está aún activa. Puede comprarla en línea en cualquier momento, o llamar al (800.626.2224) durante horas normales de oficina. GE Consumer Home Services estará aún ahí cuando su garantía termine.

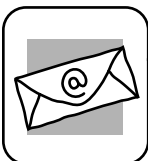


### *Piezas y accesorios*

[www.GEAppliances.com](http://www.GEAppliances.com)

Aquellos individuos con la calificación necesaria para reparar sus propios electrodomésticos pueden pedir que se les manden las piezas o accesorios directamente a sus hogares (aceptamos las tarjetas VISA, MasterCard y Discover). Haga su pedido en línea hoy, 24 horas cada día o llamar por teléfono al 800.626.2002 durante horas normales de oficina.

***Las instrucciones descritas en este manual cubren los procedimientos a seguir por cualquier usuario. Cualquier otra reparación debería, por regla general, referirse a personal calificado autorizado. Debe ejercerse precaución ya que las reparaciones incorrectas pueden causar condiciones de funcionamiento inseguras.***



### *Póngase en contacto con nosotros*

[www.GEAppliances.com](http://www.GEAppliances.com)

Si no está satisfecho con el servicio que recibe de GE, póngase en contacto con nosotros en nuestra página Web indicando todos los detalles así como su número de teléfono o escribanos a:

General Manager, Customer Relations  
GE Appliances, Appliance Park  
Louisville, KY 40225



### *Registre su electrodoméstico*

[www.GEAppliances.com](http://www.GEAppliances.com)

¡Registre su nuevo electrodoméstico en línea—cuando usted prefiera! El registrar su producto a tiempo le proporcionará, si surgiera la necesidad, una mejor comunicación y un servicio más rápido bajo los términos de su garantía. También puede enviar su tarjeta de registro pre-impresa que se incluye en el material de embalaje o recorte y use el formulario de este Manual del Propietario.

## Consumer Support.

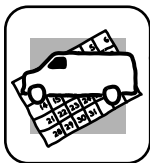
---



### GE Appliances Website

In the U.S.: [www.GEAppliances.com](http://www.GEAppliances.com)

Have a question or need assistance with your appliance? Try the GE Appliances Website 24 hours a day, any day of the year! For greater convenience and faster service, you can now download Owner's Manuals, order parts, catalogs, or even schedule service on-line. You can also "Ask Our Team of Experts™" your questions, and so much more... **In Canada:** [www.geappliances.ca](http://www.geappliances.ca)



### Schedule Service

In the U.S.: [www.GEAppliances.com](http://www.GEAppliances.com)

Expert GE repair service is only one step away from your door. Get on-line and schedule your service at your convenience 24 hours any day of the year! Or call 800.GE.CARES (800.432.2737) during normal business hours. **In Canada, call 1.800.361.3400**



### Real Life Design Studio

In the U.S.: [www.GEAppliances.com](http://www.GEAppliances.com)

GE supports the Universal Design concept—products, services and environments that can be used by people of all ages, sizes and capabilities. We recognize the need to design for a wide range of physical and mental abilities and impairments. For details of GE's Universal Design applications, including kitchen design ideas for people with disabilities, check out our Website today. For the hearing impaired, please call 800.TDD.GEAC (800.833.4322).

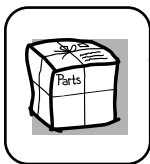
**In Canada, contact:** Manager, Consumer Relations, Camco, Inc.  
Suite 310, 1 Factory Lane  
Moncton, N.B. E1C 9M3



### Extended Warranties

In the U.S.: [www.GEAppliances.com](http://www.GEAppliances.com)

Purchase a GE extended warranty and learn about special discounts that are available while your warranty is still in effect. You can purchase it on-line anytime, or call 800.626.2224 during normal business hours. GE Consumer Home Services will still be there after your warranty expires. **In Canada, call 1.888.261.2133**



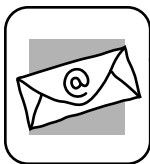
### Parts and Accessories

In the U.S.: [www.GEAppliances.com](http://www.GEAppliances.com)

Individuals qualified to service their own appliances can have parts or accessories sent directly to their homes (VISA, MasterCard and Discover cards are accepted). Order on-line today, 24 hours every day or by phone at 800.626.2002 during normal business hours.

**Instructions contained in this manual cover procedures to be performed by any user. Other servicing generally should be referred to qualified service personnel. Caution must be exercised, since improper servicing may cause unsafe operation.**

Customers **in Canada** should consult the yellow pages for the nearest Camco service center, or call 1.888.261.3055.



### Contact Us

In the U.S.: [www.GEAppliances.com](http://www.GEAppliances.com)

If you are not satisfied with the service you receive from GE, contact us on our Website with all the details including your phone number, or write to:

General Manager, Customer Relations  
GE Appliances, Appliance Park  
Louisville, KY 40225

**In Canada:** [www.geappliances.ca](http://www.geappliances.ca), or write to: Director, Consumer Relations, Camco, Inc.  
Suite 310, 1 Factory Lane  
Moncton, N.B. E1C 9M3



### Register Your Appliance

In the U.S.: [www.GEAppliances.com](http://www.GEAppliances.com)

**Register your new appliance on-line—at your convenience!** Timely product registration will allow for enhanced communication and prompt service under the terms of your warranty, should the need arise. You may also mail in the pre-printed registration card included in the packing material, or detach and use the form in this Owner's Manual. **In Canada:** [www.geappliances.ca](http://www.geappliances.ca)



## Free Manuals Download Website

<http://myh66.com>

<http://usermanuals.us>

<http://www.somanuals.com>

<http://www.4manuals.cc>

<http://www.manual-lib.com>

<http://www.404manual.com>

<http://www.luxmanual.com>

<http://aubethermostatmanual.com>

Golf course search by state

<http://golfingnear.com>

Email search by domain

<http://emailbydomain.com>

Auto manuals search

<http://auto.somanuals.com>

TV manuals search

<http://tv.somanuals.com>